

E-GO2
ELECTRICAL LONGBOARD

USER GUIDE V1.1

YUNTEK®

INDEX

01	INDEX
02	INTRODUCTION
03	OVERVIEW
08	CHARGE SETUP
09	SYNCING CONTROLLER AND BOARD
10	FEATURES
11	SPECIFICATIONS
12	SAFETY WARNINGS AND TIPS
16	TROUBLESHOOTING
19	SPARE PARTS
20	GARAGE
22	INSTALLATION GUIDE
24	CERTIFICATION INFORMATION

INTRODUCTION

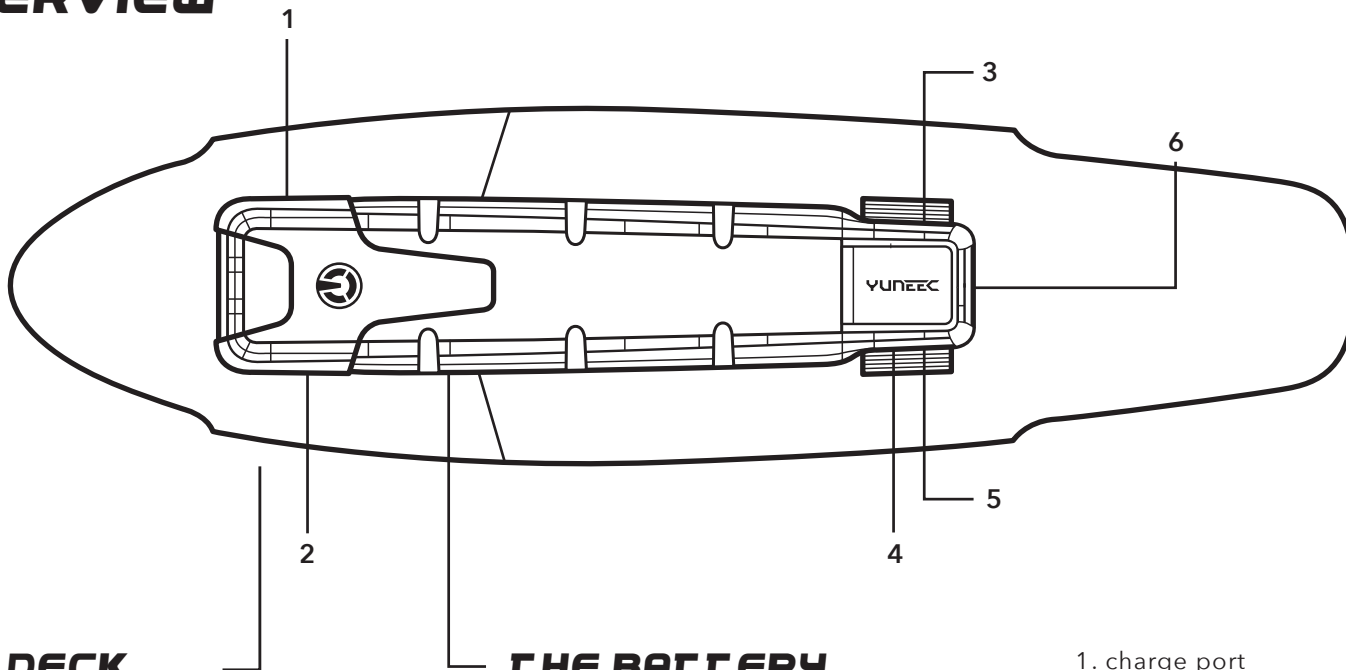
Congratulations, you have purchased an E-GO2. You are now the owner of a portable, eco-friendly mode of transport that is incredibly fun to use. Integrating state of the art motor technology developed by Yuneec for use in the aviation industry, E-GO2 brings to the streets an experience and convenience that was never available in the past.

Setting aside dated conventions, E-GO2 focuses on what is essential to the design of a sustainable transport unit that functions in today's urban areas. Combining high performance with low consumption, the E-GO2 allows you to travel up to 30Km / 18Mi on one full charge. Its lightweight design and compact dimensions make the E-GO2 the perfect wingman wherever you go: simply pick up your board and step into a taxi, bus, train, or indoor location.

Boarding is often linked to extreme sports activities like surfing, skating, or snowboarding and there are definitely similarities in the amount of freedom experienced when moving through space. However, E-GO2 is foremost a city transport unit and distinguishes itself as such through features such as its advanced braking system, giving the rider more control over his / her vehicle which is required to ensure the safety of other people as well as his / her own.

Keeping the latter in mind, we would like to suggest you read through this user's manual, to ensure you understand fully how to properly set-up and use your E-GO2 and what general common sense to apply when riding in a public area. The general rule to follow: Ride with consideration and style. We hope you enjoy your E-GO2 experience!

OVERVIEW



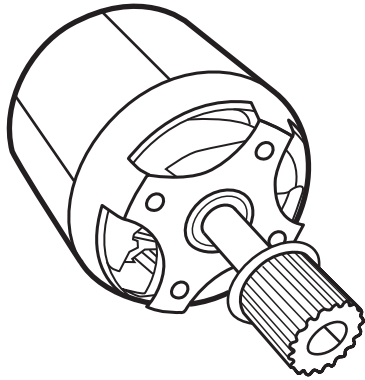
THE DECK

The E-GO2 features a 12 mm, eight layered composite wood deck, making it flexible, durable and strong: all the qualities a rider looks for in a board. The deck surface is finished with griptape to avoid slipping.

THE BATTERY

E-GO2's sleek, low profile multi-cell battery pack is located under the deck, and utilises Yuneec's latest, patented battery technology. Its' flexible battery casing allows the deck to bend while riding.

1. charge port
2. power switch
3. power status indicator
4. USB port
5. 2.4GHz / bluetooth switch
6. Electronic Control Unit (ECU)

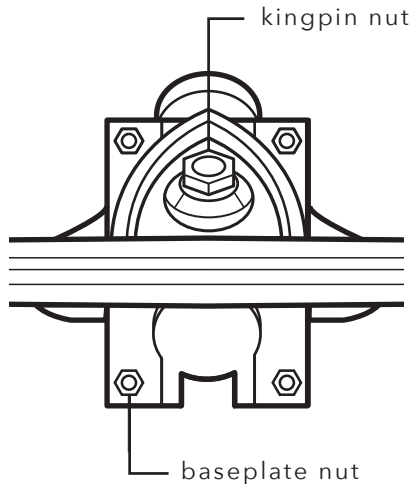
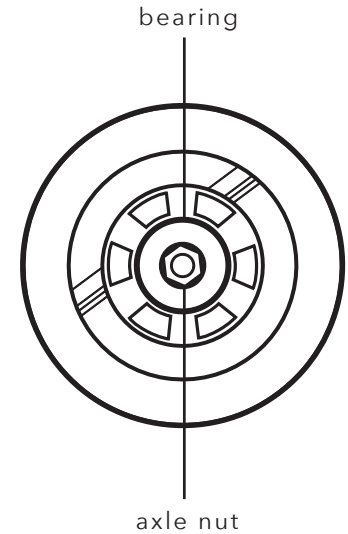


THE MOTOR

By integrating technology developed by Yuneec for use in the aviation industry, the brushless 400 watt motor provides reliable and efficient power for your E-GO2.

THE WHEELS

The E-GO2's 90mm wheels provide traction and stability on an array of surfaces, turning the E-GO2 into a reliable urban transport system.



THE TRUCKS

Connecting the wheels to the deck are two alloy trucks made of the highest grade materials available. The trucks can be adjusted using the truck tool.

(For more on the truck tool see page 7)

THE CONTROLLER

The EB24C is the smart controller of E-GO2, a key feature of E-GO2 is without doubt its sleek, pocket-sized, wireless controller which allows you to intuitively control its movements by simply sliding the throttle / brake (7) up and down.



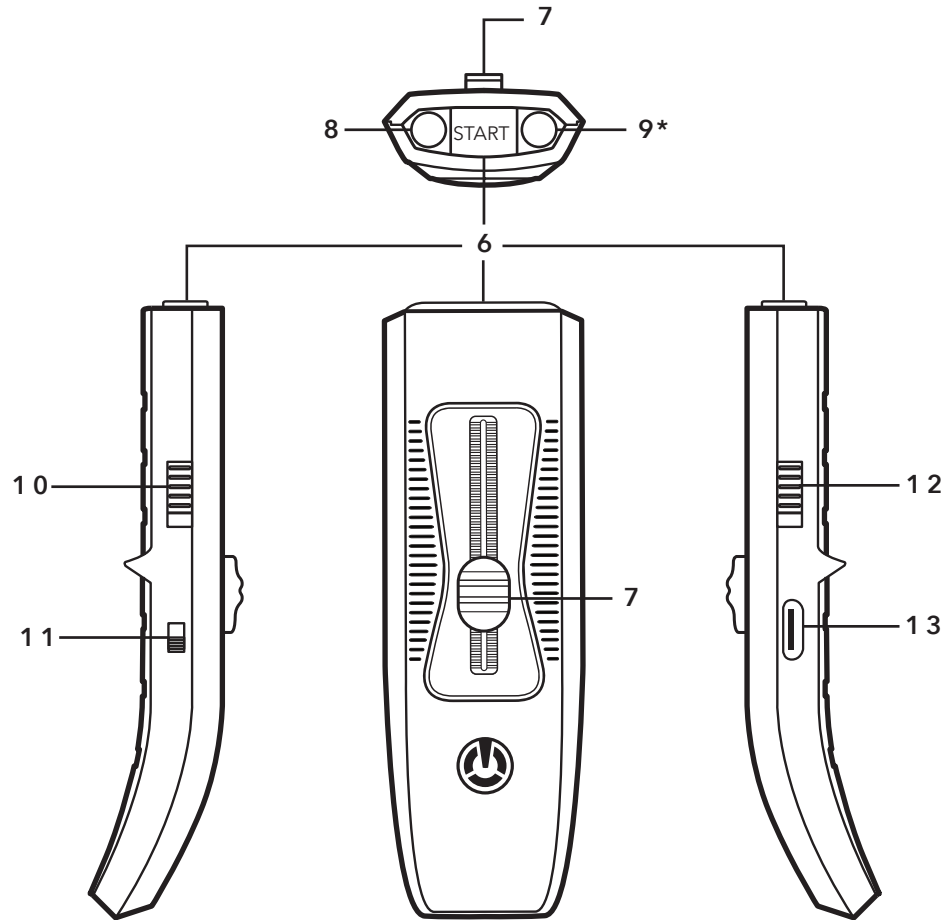
The battery status indicator light (9) indicates the wireless controller's and board's battery status:

A green light indicates the board's battery status. Blue light indicates the controller's battery status. Each light blinks 1,2,3 or 4 times in series. Each blink indicates 25% of the total battery capacity.

When the board or controller's battery goes under 25% of its maximum capacity, the controller vibrates, its light will turn red and blink 1 time. When charging - with the controller connected to the board - a red light indicates that the controller's battery charge is less 100%.

Example: (when activated but not charging) the board's battery is completely empty and the controller's battery has less than 75% of its full charge capacity left 1 red blink will be followed by 2 blue blinks.

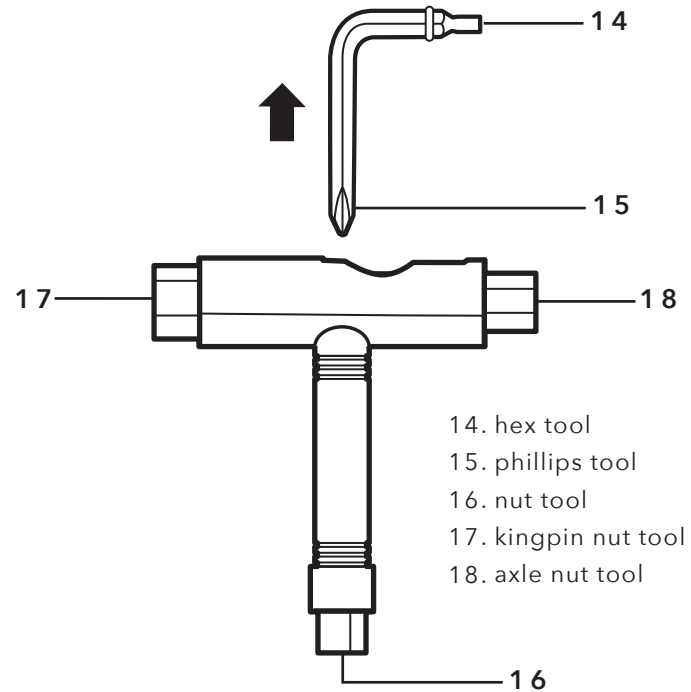
(For more information on the yellow and purple warning lights, reference troubleshoot page 19)



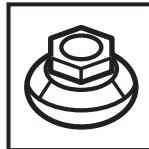
THE TRUCK TOOL

To maximize your E-GO2's performance you will need to do regular maintenance checks (for more info on maintenance please check page 17), making sure the board is not obstructed by dirt and all nuts and bolts are properly tightened. To tighten and loosen these nuts and bolts, your E-GO2 comes with a specific tool - the truck tool - that allows you to do that. In general you should make sure all parts are screwed on there nice and tight, with the exception of the kingpin nut which can be adjusted according to your personal riding style.

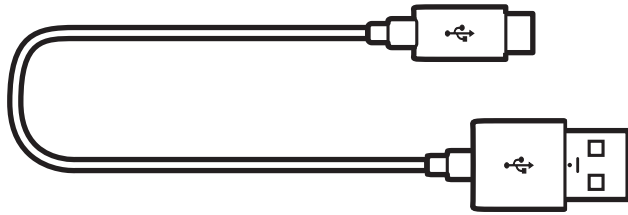
- 6. START button
- 7. throttle / brake
- 8. flash light
- 9. battery status indicator*
- 10. riding mode switch
- 11. speed mode switch
- 12. torch light switch
- 13. mini USB port



- 14. hex tool
- 15. phillips tool
- 16. nut tool
- 17. kingpin nut tool
- 18. axle nut tool

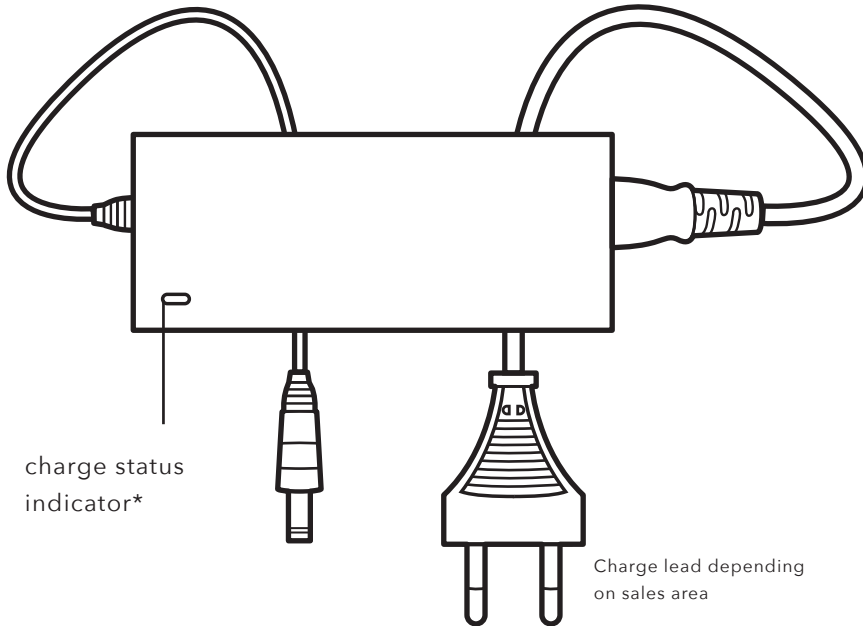


Tightening the kingpin will give a more stable, rigid ride. Loosening the kingpin nut will make the board more maneuverable and decreases the diameter of your turn radius, allowing sharper turns.



THE USB

Use the USB cable to connect the wireless controller to the board's USB port, to any computer or any other USB port for recharging purposes.



THE CHARGER

The E-GO2 charger allows you to fully recharge the E-GO2 and the controller's battery in 3 to 5 hours (depending on charge left and ambient temperature) giving you a maximum riding range of 30 km / 18 miles (depending on weight, road conditions, riding style, etc...).

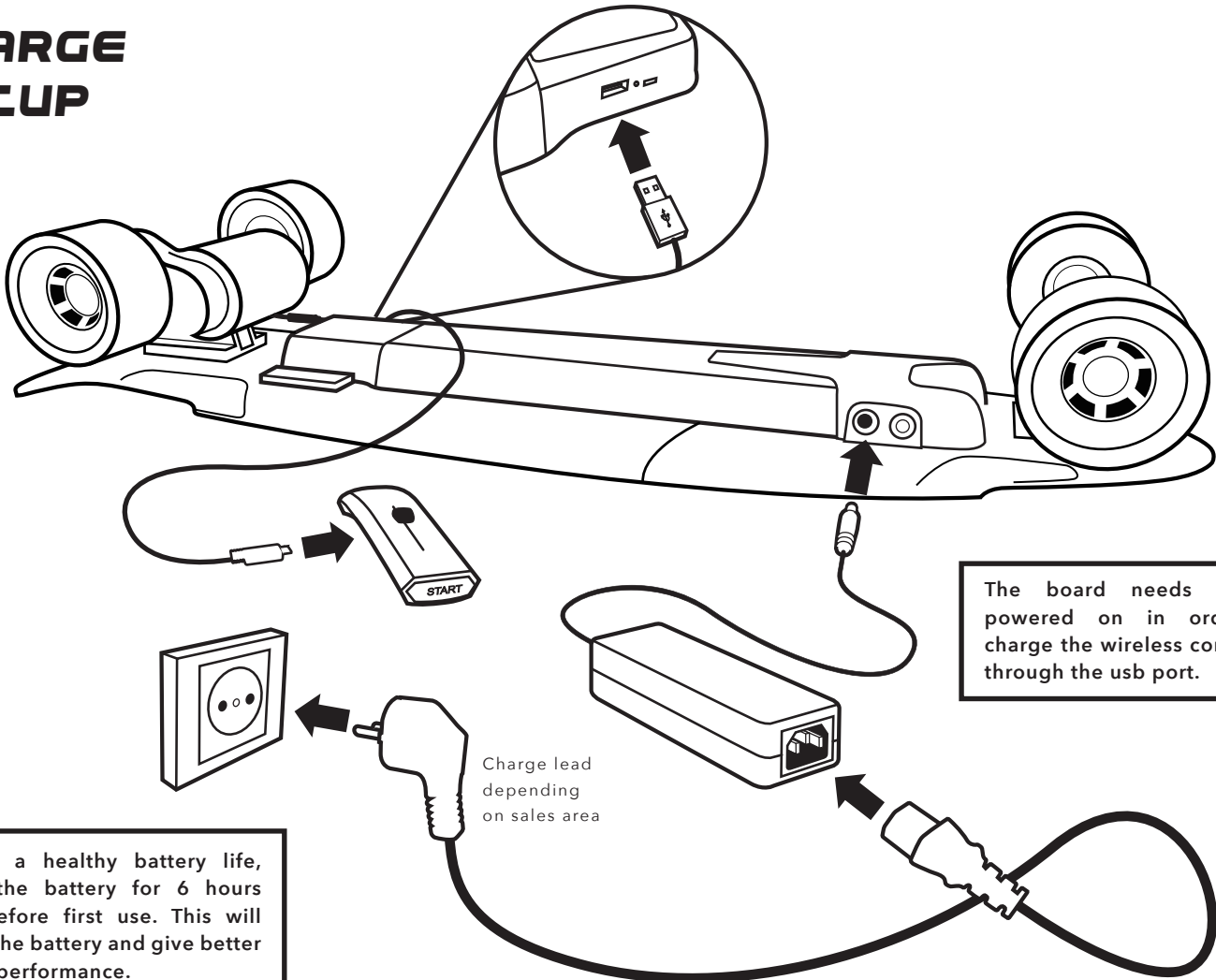


THE PIN TOOL

Also included with the E-GO2 is a small pin-shaped tool, which allows you to access the speed mode switch on the controller and the bluetooth switch on the the board .

*red = charging / green = charged

CHARGE SETUP

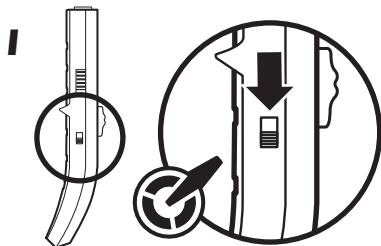


The board needs to be powered on in order to charge the wireless controller through the usb port.

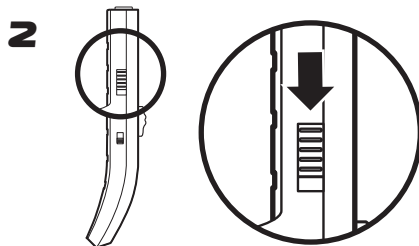
Charge lead depending on sales area

To ensure a healthy battery life, recharge the battery for 6 hours straight before first use. This will condition the battery and give better long term performance.

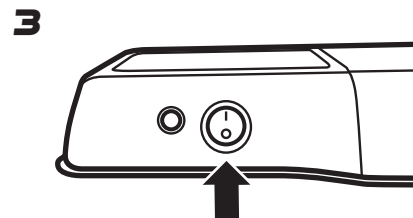
SYNCING CONTROLLER AND BOARD



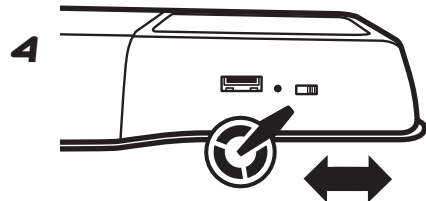
Use the pin tool (page 8) to slide the speed switch (positioned on the left side of the controller) fully down.



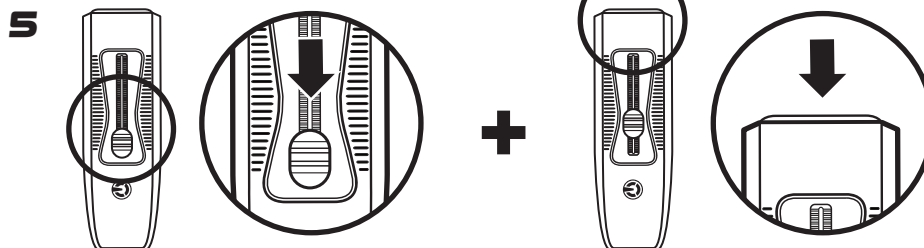
Slide down the riding mode switch (positioned on the left side of the wireless controller) to 'ECO' mode.



Make sure the 'BLUETOOTH' switch (ill. 4) is switched to the side closest to the motor, then turn on the board by switching the power switch on. The board should now beep two times and its battery status indicator should be flashing fast.



Begin with the 'BLUETOOTH' switch flipped toward the right (closest to the motor). Immediately after powering the board ON, move the 'BLUETOOTH' switch to the left (furthest away from the motor) and back to the right (closest to the motor). Then the battery status indicator should go from flashing fast to flashing more slowly.



Slide down the wireless controller's throttle / brake to the lowest possible position, and hold it there. At the same time, press and release the start button while the throttle/brake is still held down. After 7 seconds, the controller will show 8 green flashes, followed by blue flashes. At this point release the throttle / brake. The board should now beep again, indicating a successful synchronization.

FEATURES



THE E-GO2 FEATURES 2 SPEED MODES: A SLOW MODE OR BEGINNERS - WITH A LIMITED SPEED OF 13 KM/H OR 8 MPH), AND A FAST MODE - WITH A MAXIMUM SPEED OF 20 KM/H OR 12.5 MPH.



THE E-GO2 ALSO FEATURES 2 RIDING MODES: ECO MODE - WITH A LOWER ACCELERATION CURVE - AND SPORT MODE - WITH A HIGHER ACCELERATION CURVE. RIDING IN ECO MODE WILL DEMAND LESS POWER FROM THE BATTERY THUS MAXIMIZING THE EGO'S RANGE.



THE E-GO2 WILL TAKE YOU UP INCLINES OF UP TO 10% FOR A LIMITED DISTANCE. VARIABLES LIKE WEIGHT OF RIDER, INCLINE, AMBIENT TEMPERATURE AND ROAD SURFACE MAY CAUSE THE ECU TO OVERHEAT AND PERFORM A TEMPORARY CONTROLLED SHUTDOWN.



TO FULLY CHARGE THE E-GO2'S BATTERY, A CHARGE TIME OF 3 TO 5 HOURS FROM A STANDARD A/C POWER SOURCE IS NEEDED. TO FULLY CHARGE THE WIRELESS CONTROLLER A CHARGE TIME OF ABOUT 50 MINUTES FROM ANY USB PORT IS NEEDED.



THE E-GO2 FEATURES A REGENERATIVE BRAKING SYSTEM (RBS) THAT RECYCLES POWER USED WHEN BRAKING TO RECHARGE THE BATTERY. BE AWARE THAT RBS STOPPING PERFORMANCE VARIES DEPENDING ON RIDER WEIGHT AND CONDITIONS.



AT JUST 6.3 KG / 13.9 LBS, THE E-GO2 IS LIGHTWEIGHT AND PORTABLE WHICH WORKS IN COMBINATION WITH AN ARRAY OF PUBLIC TRANSPORTATION.

PERFORMANCE

Max. User Weight: 100kg / 220bs
Max. Range: 18mi / 30km
High Speed Mode Max.: 12.5mph / 20km/h
Low Speed Mode Max.: 8mph / 13km/h

CHARGER

Input: AC 100-240V / 50-60HZ / 1.5A Max.
Output: 29.5V / 2A
Charge Indicator: Red when charging /
Green when charged

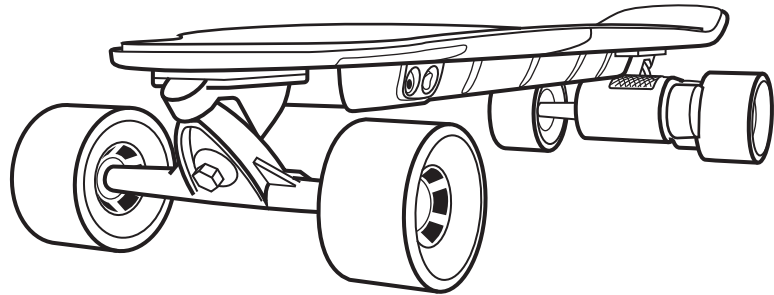
CONTROLLER

Material: ABS Plastic
Dimensions: 125*41*33mm
Weight: 60g
Battery Type: Lithium
Battery Capacity: 240mAh
Battery Charging Time: 50 minutes
Wireless Connection: 2.4GHz
Vibration: Yes

BOARD

Deck Material: Canadian Maple Wood
Deck Dimensions: 910*240mm
Wheel Material: Polyurethane
Wheel Size: 90mm diameter / 52mm width
Battery Type: Li-ion
Battery Capacity: 7.8 AH
Battery Cell Quantity: 21 pcs
Battery Charging Time: 3-5 hours (depending on ambient temperature)
Motor Type: Brushless Direct Current
Motor Power: Max. 400W / Ave Power 150W
Transmission Model: Synchronous Belt Drive
Board Weight: 13.9lbs / 6.3kg

SPECIFICATIONS



SAFETY WARNINGS AND TIPS

ABOUT THE SAFETY GUIDELINES

BEFORE RIDING THE E-GO2, IT IS STRONGLY ADVISED TO READ THROUGH AND FOLLOW ALL TIPS, INSTRUCTIONS AND WARNINGS LISTED BELOW. THIS CAN REDUCE THE RISKS THAT COMES WITH USING A PERSONAL ELECTRONIC TRANSPORTER (PET) // IT SHOULD BE CLEAR THAT READING THIS MANUAL WILL ONLY REDUCE AND NOT ELIMINATE THE RISK INHERENT TO USING A PERSONAL ELECTRIC TRANSPORT (PET) // IF YOU EXCEED THE ABILITY OF YOURSELF OR YOUR E-GO2 BY RIDING OVER OBSTACLES OR ANY OTHER UNSUITABLE SURFACES, THIS MIGHT POTENTIALLY LEAD TO COLLISIONS OR FALLS IN TURN LEADING TO SERIOUS OR FATAL INJURY, OR THE DAMAGING OF YOUR E-GO2

NEW RIDERS

FIRST TIME USING AN E-GO2? START BY RIDING IN THE LOW SPEED MODE // INEXPERIENCED RIDERS ARE BEST TO FIRST PRACTICE IN A SPACIOUS, NON TRAFFIC ZONE // INEXPERIENCED RIDERS SHOULD BE ASSISTED BY A MORE EXPERIENCED RIDER // DO NOT LET NEW RIDERS OPERATE THE E-GO2 OUTSIDE OF YOUR SUPERVISION UNLESS THEY HAVE READ THIS GUIDE // YOU SHOULD NOT ALLOW ANYONE TO STEP ONTO YOUR E-GO2 FOR THE FIRST TIME UNLESS YOU ARE THERE TO SUPPORT THEM // ASSIST NEW RIDERS UNTIL THEY ARE COMFORTABLE WITH THE BASIC OPERATION OF THE E-GO2

RIDER PROFILE

THE E-GO2 IS DESIGNED FOR HUMAN RIDERS // THE E-GO2 IS DESIGNED FOR RIDERS 14 YEARS AND OLDER // THE E-GO2 IS DESIGNED FOR RIDERS WITH A BODY WEIGHT UNDER 100 KG / 220 LBS // THE E-GO2 IS NOT DESIGNED FOR CARGO TRANSPORTATION // THE E-GO2 IS DESIGNED FOR RIDERS IN GOOD PHYSICAL HEALTH // DO NOT RIDE THE E-GO2 WHEN SICK // AS WITH ANY OTHER PERSONAL ELECTRIC TRANSPORTATION DEVICE, YOU MUST BE MENTALLY ALERT TO SAFELY RIDE AN E-GO2 // THE E-GO2 IS NOT DESIGNED FOR TANDEM USE, DO NOT TAKE ANY PASSENGERS WITH YOU ON THE E-GO2 // DO NOT TAKE A CHILD IN YOUR ARMS OR IN A CHILD CARRIER WHILE RIDING // DO NOT RIDE UNDER THE INFLUENCE OF DRUGS OR ALCOHOL // DO NOT ATTEMPT TO RIDE IF YOU CAN NOT COMPLY FULLY WITH THE INSTRUCTIONS AND WARNING IN THIS GUIDE

RIDER TIPS

WHILE RIDING KEEP YOUR BACK STRAIGHT AND USE YOUR ARMS TO MAINTAIN BALANCE // BENDING YOUR KNEES LOWERS YOUR BODY'S CENTER OF GRAVITY WHICH INCREASES STABILITY // SHIFT YOUR BODY WEIGHT TO THE FRONT WHEN ACCELERATING // SHIFT YOUR BODY WEIGHT TO THE BACK WHEN BRAKING // TO TURN / CARVE, DISPLACE YOUR BODY WEIGHT AND EXERT PRESSURE ON THE HEEL AND TOE SIDES OF THE BOARD // YOUR TURNING RADIUS DEPENDS ON THE AMOUNT OF PRESSURE YOU EXERT ON THE SIDE OF THE BOARD: MORE PRESSURE MEANS SHARPER TURNING // CARVING WILL SLOW DOWN YOUR SPEED AND MAKES FOR AN ENERGY EFFICIENT WAY OF BRAKING // BE MINDFUL WHEN TURNING / CARVING AT HIGH SPEED // YOU CAN ADJUST MANEUVERABILITY BY TIGHTENING OR LOOSENING THE KINGPIN NUTS // ADJUST YOUR RIDING STYLE WHEN RIDING AT NIGHT OR IN CONDITIONS WITH LOW VISIBILITY // ADAPT YOUR SPEED TO YOUR RIDING SKILL AND ENVIRONMENT // DO NOT RIDE WHEN INTOXICATED // BEWARE THAT WET, FROZEN, OILY OR UNPAVED SURFACES ARE UNSUITED FOR RIDING ON // BEWARE THAT BRAKING DISTANCES VARY ACCORDING TO SURFACE TEXTURE, HUMIDITY, TEMPERATURE, ETC... // AVOID RIDING OVER GUTTERS, THIS MIGHT DAMAGE THE BOARD // DO NOT EXPOSE E-GO2 TO WATER: DO NOT RIDE WHEN RAINING, DO NOT RIDE THROUGH PUDDLES // ALWAYS WEAR PROTECTIVE GEAR WHEN RIDING // ALWAYS WEAR A HELMET WHEN RIDING // USE AN APPROVED SKATEBOARD, BICYCLE OR FULL FACE MOTORCYCLE HELMET THAT PROPERLY FITS WITH THE CHIN STRAP SECURELY FASTENED // USE DIRECT HAND CONTACT WHEN OPERATING THE HANDHELD REMOTE, WEARING GLOVES OR AN UNUSUAL GRIP MIGHT INTERFERE WITH YOUR ABILITY TO ACCURATELY USE THE CONTROLS // DO NOT WEAR LOOSE CLOTHING THAT CAN GET STUCK IN THE WHEELS OR DRIVE BELT // BE AWARE THAT A STRONG ELECTROMAGNETIC FIELD IN YOUR AREA MIGHT INTERFERE WITH THE FUNCTION OF THE REMOTE CONTROLLER // BRAKE WHEN GOING DOWNHILL TO MODERATE YOUR SPEED // TAKING ON INCLINES OVER 10% MIGHT OVERHEAT THE ECU AND CAUSE INTERMITTENT POWER LOSS OR EVEN SHUT DOWN THE ECU // DO NOT RIDE E-GO2 DOWNHILL MORE THAN 2% TO AVOID ECU OVERHEATING // REGULAR SHORT BURST OF FULL POWER AND BRAKING HEAVILY WILL DRAIN THE BATTERY FASTER THAN RIDING AT A MODERATE CONSISTENT SPEED // BEWARE OF WHEEL STOPS THAT CAN OCCUR WHEN THE E-GO2'S WHEELS ENCOUNTER AN OBSTACLE OR TERRAIN CHANGE THAT PREVENT THEM FROM MOVING, THIS WILL BRING THE E-GO2 TO AN ABRUPT STOP AND ARE LIKELY TO CAUSE A FALL // NEVER RIDE ON STAIRS, ELEVATORS OR THROUGH REVOLVING DOORS // DO NOT ATTEMPT JUMPS OR OTHER STUNTS, THIS MIGHT LEAD TO INJURY OR DEATH AND MIGHT DAMAGE YOUR E-GO2 // ALWAYS BE ALERT AND AWARE OF YOUR SURROUNDINGS WHEN RIDING

RIDING OUTSIDE OF YOUR PRIVATE PROPERTY

ABIDE BY THE LAWS AND REGULATIONS IN YOUR STATE OR COUNTRY // RESPECT OTHER DRIVERS AND PEDESTRIANS ON THE ROAD // AVOID RIDING ON BUSY ROADS AND CROWDED AREAS // ADJUST YOUR SPEED WHEN RIDING ON THE SIDEWALK // DO NOT PARK YOUR E-GO2 IN A WAY THAT BLOCKS PEOPLE OR TRAFFIC AS IT CREATES A SAFETY HAZARD // CROSS ROADS AT DESIGNATED CROSSWALKS OR SIGNALLED INTERSECTIONS // DO NOT JAYWALK / RIDE // WHEN RIDING WITH OTHER E-GO2 RIDERS YOU SHOULD KEEP A SAFE DISTANCE FROM EACH OTHER AND OTHER TRANSPORT DEVICES // WHEN RIDING WITH OTHER E-GO2 RIDERS YOU SHOULD NOT RIDE SIDE-BY-SIDE UNLESS THERE IS PLENTY OF ROOM LEFT FOR PEDESTRIANS AND OTHER POTENTIAL TRAFFIC // IDENTIFY AND KEEP A SAFE DISTANCE FROM HAZARDS AND OBSTACLES ON THE ROAD // DO NOT RIDE YOUR E-GO2 ON PRIVATE PROPERTY (INSIDE OR OUTSIDE) UNLESS YOU HAVE OBTAINED PERMISSION TO DO SO // MAINTAIN CONTROL OF YOUR EQUIPMENT

STORAGE AND MAINTENANCE

DO FREQUENT MAINTENANCE CHECKS: BEFORE RIDING MAKE SURE ALL SCREWS ARE TIGHT AND YOUR E-GO2 IS IN PERFECT WORKING ORDER // CLEAN THE BOARD'S BEARINGS REGULARLY // TO CLEAN THE WHEELS IT IS ADVISED TO REMOVE THEM FROM THE AXLE // TURN OFF E-GO2 AND WIRELESS CONTROLLER WHEN NOT IN USE // CHOOSE A COOL ENVIRONMENT FOR STORING THE E-GO2 AND ITS CHARGER // KEEP YOUR BATTERY FULLY CHARGED WHEN NOT IN USE // RECHARGE THE BATTERY IN A WELL VENTILATED AREA // DO NOT RECHARGE THE BATTERY IN AN AREA THAT MIGHT ALLOW E-GO2 OR ITS CHARGING UNIT TO BECOME WET // DO NOT LEAVE E-GO2 CHARGING UNATTENDED // KEEP CHILDREN AWAY FROM E-GO2 WHEN CHARGING // DO NOT KEEP THE BATTERY ON CHARGE ONCE IT IS FULLY CHARGED // STOP USE OF THE PRODUCT OR CHARGING UNIT IF ANY WIRES ARE WORN OR DAMAGED // DO NOT MODIFY THE ELECTRICAL CONTROLS OR WIRING // ONLY USE A MOTOR, BATTERY OR CHARGING UNIT SUPPLIED OR APPROVED BY E-GO2 // DO NOT USE THE E-GO2'S BATTERY TO POWER ANY OTHER EQUIPMENT

BATTERY SAFETY

LITHIUM-ION BATTERIES CAN EXPLODE OR CAUSE A FIRE IF THEY ARE USED INCORRECTLY OR IF THEY ARE DEFECTIVE. THEREFORE, YOU ARE RECOMMENDED TO READ THE FOLLOWING INSTRUCTIONS VERY CAREFULLY:

- EACH TIME BEFORE USING THE BATTERY, CAREFULLY CHECK THE BATTERY PACK AND IN PARTICULAR THE PROTECTIVE SEAL/ CASING TO MAKE SURE THAT IT IS UNDAMAGED AND INTACT. IF IN DOUBT, TAKE THE BATTERY TO A CHEMICAL WASTE DISPOSAL FACILITY AND/OR CONTACT YUNEEC CUSTOMER SUPPORT IMMEDIATELY.
- ALWAYS HANDLE THE BATTERY WITH CARE. NEVER DROP THE BATTERY.
- STORE THE BATTERY IN A SAFE AND DRY PLACE AND KEEP THE BATTERY AWAY FROM ALL METAL OBJECTS.
- NEVER EXPOSE THE BATTERY TO TEMPERATURES ABOVE 100 DEGREES CELSIUS.
- ONLY USE OFFICIAL YUNEEC E-GO2 CHARGERS THAT HAVE BEEN SPECIALLY BEEN DESIGNED FOR USE WITH LITHIUM-ION BATTERIES.
- WHEN CHARGING BATTERIES, KEEP THE CHARGER AWAY FROM HIGHLY FLAMMABLE MATERIALS OR PRODUCTS AND NEVER LEAVE THE CHARGER UNATTENDED WHEN IN USE.
- WHEN CHARGING THE CHARGER CAN GET HOT. DO NOT PLACE THE CHARGER ON DAMAGABLE SURFACES.
- IF YOU ARE NOT PLANNING ON USING THE BATTERY FOR ABOUT 6 MONTHS OR LONGER, FIRST CHARGE IT FULLY AND THEN RECHARGE IT ONCE A YEAR. THIS IS BECAUSE A LITHIUM-ION BATTERY THAT HAS BEEN LEFT EMPTY FOR TOO LONG CAN NO LONGER BE CHARGED.



TROUBLESHOOTING

MY BOARD DOESN'T START	1.1	Check if the board is activated on. When turning on the board you should hear two beeps and its status indicator light should come on.
	1.2	Check if the controller is powered ON. When turning ON the controller, its blue light should start flashing.
	1.3	If both the board and controller are powered ON, and the wireless controller's green light is not flashing, it means the board and controller are not synchronized (see page 10).
	1.4	If both board and controller are powered ON, and both the controller's blue and green light are flashing but you don't hear a beep and the board does not start, turn off the board and turn it on again.
	1.5	If the board and controller are synchronized and the controller's blue light is followed by a red flashing light and vibration, it means the board's battery is low and needs to be recharged.
	1.6	If board and controller are synchronized and the controller's green light is followed by a a red flashing light and vibration, it means the controller's battery is low and needs to be recharged.
MY BOARD IS MOVING AT LOW SPEED...	2.1	Check if the board is in slow speed mode. If so, move the controller's speed mode switch to fast speed mode.
	2.2	If during your ride the controller's blue light is flashing, followed by a red flashing light and accompanied by vibration, it means the board's battery is low and needs to be recharged.

<p>MY BOARD STOPS AUTOMATICALLY</p> <p>∨</p>	3.1	If during your ride the board stops and the controller's blue light is flashing, followed by a red flashing light and accompanied by vibration, it means the board's battery is low and needs to be recharged.
	3.2	If during your ride the board stops and the controller's green light is flashing, followed by a red flashing light and accompanied by vibration, it means the controller's battery is low and needs to be recharged.
	3.3	If during your ride the board stops and the controller's blue light is flashing one to four times, followed by one yellow flash and is accompanied by vibration, it means the board's ECU has overheated. Let it cool down for ten minutes and retry. If after this the board stops again, please contact the E-GO2 customer service.
	3.4	If during your ride the board stops and the controller's blue light is flashing one to four times, followed by two yellow flashes and is accompanied by vibration, it means the board's battery has overheated. Let it cool down for 10 minutes and retry. If after this the board stops again, please contact the E-GO2 customer service.
	3.5	If during your ride the board stops and the controller's blue light is flashing one to four times, followed by three yellow flashes and is accompanied by vibration, it means the board has been overloaded or is being used on inclines greater than recommended.
	3.6	If during your ride the board stops and the controller's blue light is flashing one to four times, followed by four yellow flashes and is accompanied by vibration, this indicates a motor malfunction. Please check if the motor plugs are tightly is well connected to the lead of the battery compartment. If after this the board stops again, please contact the E-GO2 customer service.

	3.7	If during your ride you hear a beep, the board stops and only the controller's blue light is flashing, it means the control signal is lost. Turn the controller off and then on again to reconnect.
	3.8	Control signal loss will occur when the distance between your board and controller becomes too great. To reconnect close the distance between the two.
MY BOARD DOESN'T CHARGE	4.1	Check if the charge cable is connected to the board and if the charger is connected to a standard A/C power source. If the connection is good and the board is charging, the charger's battery status indicator will turn red. When fully charged it should turn green. In any other situation please contact the E-GO2 customer service.
MY CONTROLLER DOESN'T CHARGE	5.1	Check if the USB cable is well connected to the controller and the charge port and if the board is powered on. If the connection is good and the controller is charging, the controller's red light will turn on. When fully charged the red light will turn off. In any other situation please contact the E-GO2 customer service.

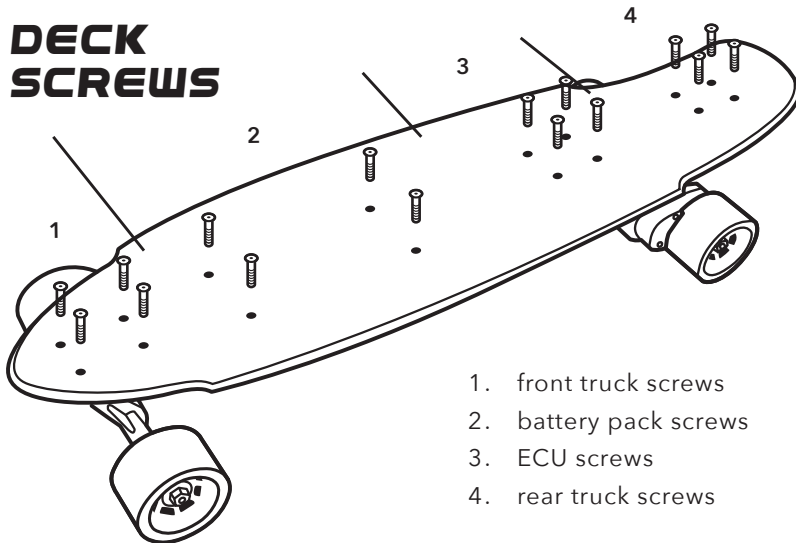
YOU CAN CONTACT THE E-GO CUSTOMER SERVICE AT

YUNEEC.COM

SPARE PARCS

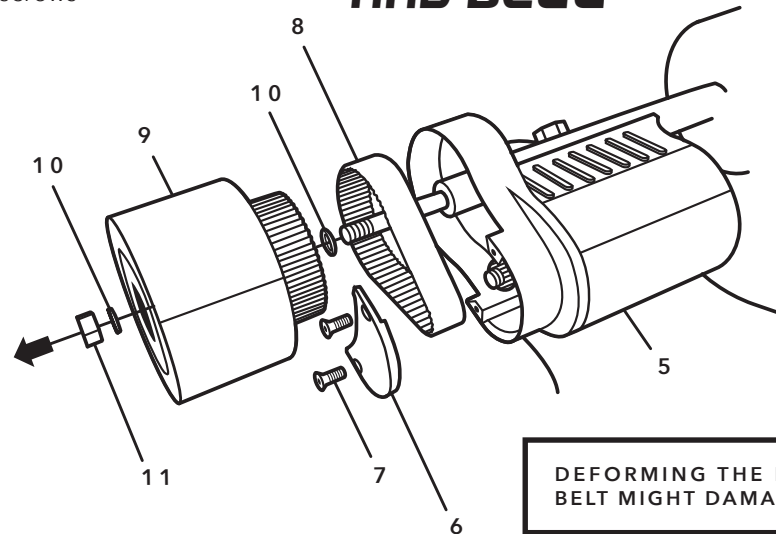
EGO2CR001	KNEEPAD: E-GO2
EGO2CR002	GRIP TAPE (ROYAL WAVE): E-GO2
EGO2CR003	GRIP TAPE (DEEP MINT): E-GO2
EGO2CR004	GRIP TAPE (HOT PINK): E-GO2
EGO2CR005	WHEEL WITH PRE-INSTALLED BEARINGS (ROYAL WAVE): E-GO2
EGO2CR006	WHEEL WITH PRE-INSTALLED BEARINGS (DEEP MINT): E-GO2
EGO2CR007	WHEEL WITH PRE-INSTALLED BEARINGS (HOT PINK): E-GO2
EGO2CR008	REMOTE CONTROL WITH USB CABLE (ROYAL WAVE): E-GO2
EGO2CR009	REMOTE CONTROL WITH USB CABLE (DEEP MINT): E-GO2
EGO2CR010	REMOTE CONTROL WITH USB CABLE (HOT PINK): E-GO2
EGO2CR011	FRONT TRUCK SET (ROYAL WAVE): E-GO2
EGO2CR012	FRONT TRUCK SET (DEEP MINT): E-GO2
EGO2CR013	FRONT TRUCK SET (HOT PINK): E-GO2
EGO2CR014	DECK WITH GRIP TAPE (ROYAL WAVE): E-GO2
EGO2CR015	DECK WITH GRIP TAPE (DEEP PINK): E-GO2
EGO2CR016	DECK WITH GRIP TAPE (HOT PINK): E-GO2
EGO2CR017SVC	REAR TRUCK SET WITH MOTOR: E-GO2
EGO2CR018SVC	BATTERY PACK (ROYAL WAVE): E-GO2
EGO2CR019SVC	BATTERY PACK (DEEP MINT): E-GO2
EGO2CR020SVC	BATTERY PACK (HOP PINK): E-GO2
EGOCR003	MOTOR COVER: E-GO CRUISER
EGOCR004	DRIVE BELT: E-GO CRUISER
EGOCR005	BUSHING SET: E-GO CRUISER
EGOCR007	BEARING SET: E-GO CRUISER
EGOCR008	COMPLETE HARDWARE SET: E-GO CRUISER
EGOCR010AU	AU CHARGER: E-GO CRUISER
EGOCR010EU	EU CHARGER: E-GO CRUISER
EGOCR010UK	UK CHARGER: E-GO CRUISER
EGOCR010US	US CHARGER: E-GO CRUISER
EGOCR013	ELECTRONIC CONTROL UNIT (ECU): E-GO CRUISER
EGOCR015AU	CHARGER LEAD WITH AU PLUG: E-GO CRUISER
EGOCR015UK	CHARGER LEAD WITH UK PLUG: E-GO CRUISER
EGOCR015EU	CHARGER LEAD WITH EU PLUG: E-GO CRUISER
EGOCR015US	CHARGER LEAD WITH US PLUG: E-GO CRUISER
EGOCR017	T-TOOL WITH PIN TOOLS: E-GO CRUISER

DECK SCREWS



1. front truck screws
2. battery pack screws
3. ECU screws
4. rear truck screws

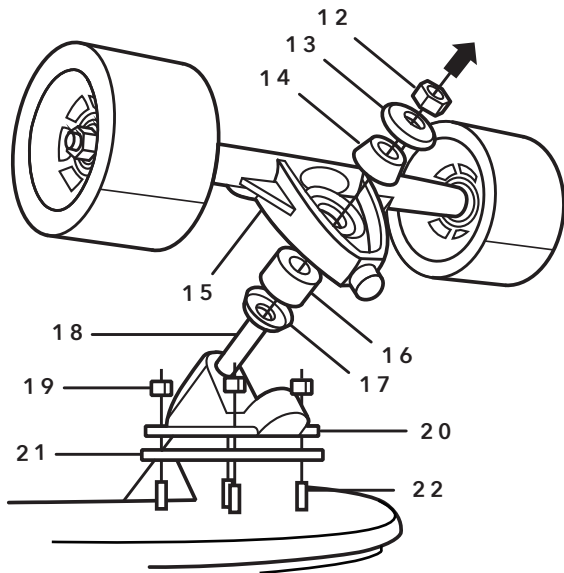
5. motor cover
6. drive belt cover
7. drive belt cover screw
8. drive belt
9. drive wheel
10. washer
11. drive wheel nut



DEFORMING THE DRIVE BELT MIGHT DAMAGE IT.

GARAGE

MAKE SURE THE E-GO2 IS POWERED OFF WHEN DOING MAINTENANCE OR REPLACING COMPONENTS.

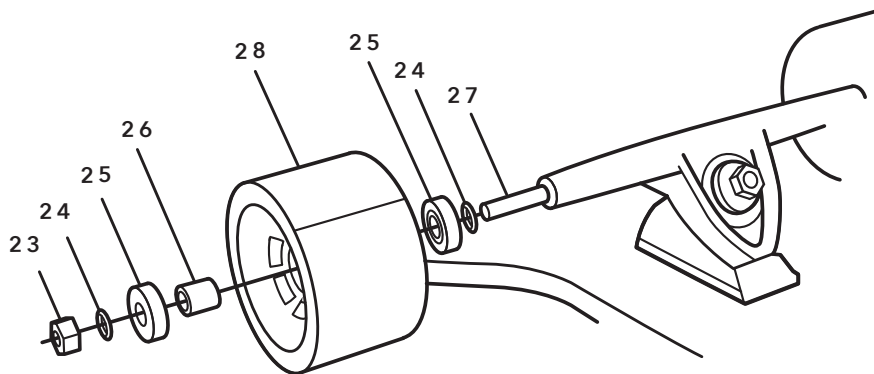


TRUCKS AND BUSHINGS

- | | |
|-----------------------|----------------------|
| 12. king pin nut | 18. king pin |
| 13. top cup washer | 19. baseplate nut |
| 14. top bushing | 20. baseplate |
| 15. truck | 21. baseplate rubber |
| 16. bottom bushing | 22. truck screw |
| 17. bottom cup washer | |

TO REPLACE THE GRIP TAPE YOU ARE ADVISED TO CONSULT YOUR LOCAL SKATE SHOP.

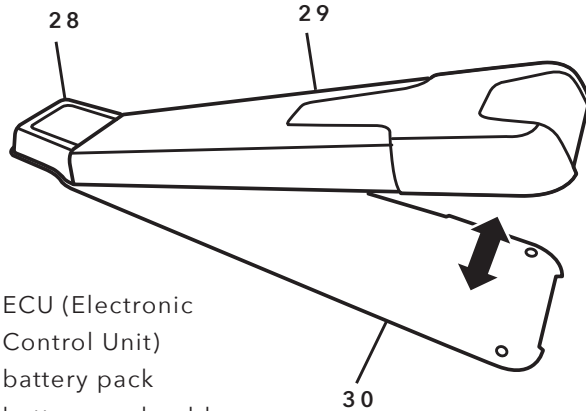
23. wheel nut
 24. washer
 25. bearing
 26. spacer
 27. truck axle
 28. wheel



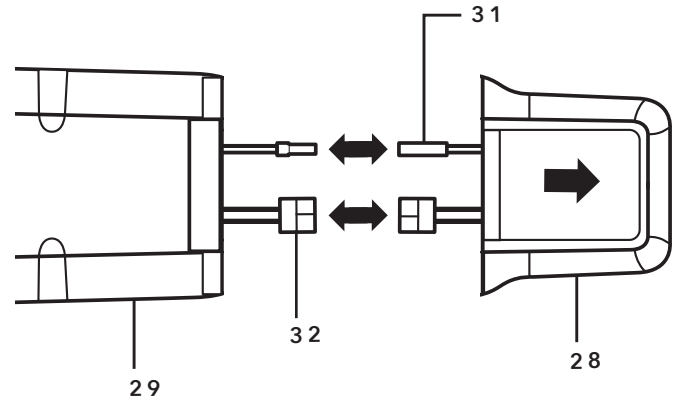
WHEELS AND BEARINGS

APPLY EQUAL PRESSURE ON THE OUTER RINGS OF THE BEARINGS TO PUSH THEM OUT OF AND INTO THE WHEEL TO AVOID DAMAGING THEM.

BATTERY PACK AND ECU



- 28. ECU (Electronic Control Unit)
- 29. battery pack
- 30. battery pack rubber



- 31. JST RCY connector
- 32. EC3 connector

INSTALLATION GUIDE

FRONT CRACK SEC

EGO2CR011, EGO2CR012 AND EGO2CR013

- 1 Unscrew the front wheel bolts.
- 2 Dismount the front wheels from the truck's axle.
- 3 Unscrew the top screws connecting the front baseplate to the deck.
- 4 Replace the complete assembly with the replacement part and reinstall.
- 5 Mount the wheels back on the truck's axle and tighten the screws.

REAR CRACK SEC WITH

MOTOR EGO2CR017SVC

- 1 Unscrew the rear wheel nuts.
- 2 Dismount the rear wheels from the truck's axle.
- 3 Unscrew the top screws connecting the rear baseplate to the deck.
- 4 Replace the complete assembly with the replacement part and reinstall.
- 5 Mount the wheels back on the truck's axle and tighten the screws.

ELECTRONIC CONTROL

UNIC EGOCR013

- 1 Unscrew the screws connecting the ECU to the deck.
- 2 Slide the ECU from the battery pack.
- 3 Disconnect the wires connecting the ECU to the battery pack.
- 4 Reconnect the battery packs wires to the replacement part.
- 5 Slide the replacement part in it's slot with the battery pack.
- 6 Screw in the deck screws connecting the ECU to the deck.

INSTALLATION GUIDE

MOTOR COVER EGOCR003

1 Unscrew the five screws securing the motor cover. **2** Remove the motor cover and replace it with the replacement part. **3** Screw on the motor cover screws and tighten.

DRIVE BELT EGOCR004

1 Unscrew the drive wheel bolt. **2** Dismount the rear wheels from the truck's axle. **3** Unscrew the drive belt cover screws. **4** Replace the belt with the replacement part. **5** Screw on and tighten the drive belt cover screws. **6** Mount the drive wheel back onto the truck's axle. **7** Screw on the drive wheel nut and tighten.

BUSHING SET EGOCR005

1 Unscrew the kingpin nut from the kingpin. **2** Replace the bushing. **3** Remount the truck and bushing on the baseplate axle. **4** Screw on and tighten the king pin nut.

BEARING SET 8 PCS EGOCR007

1 Unscrew the wheel bolt. **2** Dismount the wheel from the truck's axle. **3** Replace the bearing in the wheel with the spare part by applying equal pressure on the outer rings of the bearings. **4** Mount the wheel back onto the truck axle. **5** Screw on the wheel nut and tighten.

WHEEL SET WITH PRE INSTALLED BEARINGS

EGO2CR005, EGO2CR006 AND EGO2CR007
1 Unscrew the wheel bolt. **2** Dismount the wheel from the truck's axle and replace it with the replacement part. **3** Screw on and tighten the wheel bolts.

BATTERY PACK EGO2CR018SVC, EGO2CR019SVC AND EGO2CR020SVC

1 Unscrew the screws connecting the battery pack to the deck. **2** Tilt the battery pack out of its slot with the ECU. **3** Disconnect the wires connecting the battery pack to the ECU and reconnect the ECU's wires to the replacement part. **4** Slide the replacement part in its slot with the ECU. **5** Screw in the deck screws connecting the battery pack to the deck.

E-GO2



CAUTION: DO NOT SHORT-CIRCUIT, DISASSEMBLE OR EXPOSE THE BATTERY TO FIRE OR WATER

MADE IN CHINA

YUNEEC
AVIATION TECHNOLOGY

THIS MANUAL IS SUBJECT TO CHANGE
WITH FUTURE REVISIONS.

> PLEASE VISIT WWW.YUNEEC.COM

CERTIFICATION INFORMATION

FCC STATEMENT:

This equipment has been tested and found to comply with the limits for Part 15 of the FCC rules. These limits are designed to provide reasonable protection against harmful interference in a residential installation. This equipment generates, uses and can radiate radio frequency energy and, if not installed and used in accordance with the instructions, may cause harmful interference to radio communications.

However, there is no guarantee that interference will not occur in a particular installation. If this equipment does cause harmful interference to radio or television reception, which can be determined by turning the equipment off and on, the user is encouraged to try to correct the interference by one or more of the following measures:

Reorient or relocate the receiving antenna.

Increase the separation between the equipment and receiver.

Connect the equipment to an outlet on a circuit different from that to which the receiver is connected.

This device complies with part 15 of the FCC rules. Operation is subject to the following two conditions:

(1) This device may not cause harmful interference, and (2) this device must accept any interference received, including interference that may cause undesired operation.

NOTE: This equipment has been tested and found to comply with the limits for a Class B digital device, pursuant to part 15 of the FCC Rules. These limits are designed to provide reasonable protection against harmful interference in a residential installation. This equipment generates, uses and can radiate radio frequency energy and, if not installed and used in accordance with the instructions, may cause harmful interference to radio communications. However, there is no guarantee that interference will not occur in a particular installation. If this equipment does cause harmful interference to radio or television reception, which can be determined by turning the equipment off and on, the user is encouraged to try to correct the interference by one or more of the following measures:

–Reorient or relocate the receiving antenna.

–Increase the separation between the equipment and receiver.

–Connect the equipment into an outlet on a circuit different from that to which the receiver is connected.

–Consult the dealer or an experienced radio/TV technician for help.

RF EXPOSURE WARNING

This equipment must be installed and operated in accordance with provided instructions and the antenna(s) used for this transmitter must be installed to provide a separation distance of at least 20 cm from all persons and must not be co-located or operating in conjunction with any other antenna or transmitter. End-users and installers must be provide with antenna installation instructions and transmitter operating conditions for satisfying RF exposure compliance.