



UPGRADE MANUAL
UPGRADE-BEDIENUNGSANLEITUNG
MANUEL DE MISE À NIVEAU
MANUALE PER L'AGGIORNAMENTO

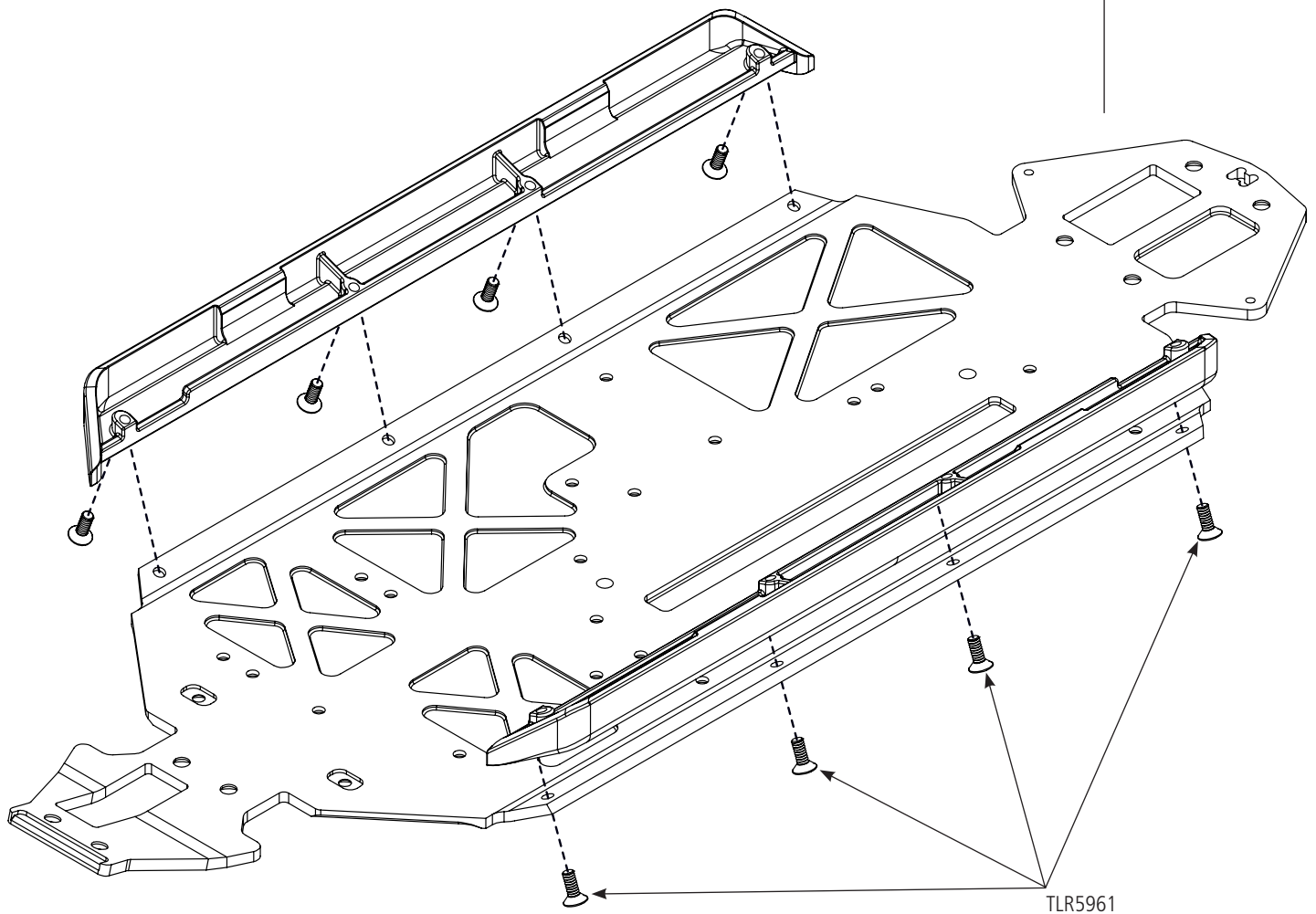


CHASSIS | KAROSSERIE | CHÂSSIS | TELAIO

A1



TLR5961 x 8
M3 x 8mm Flat Head



A2

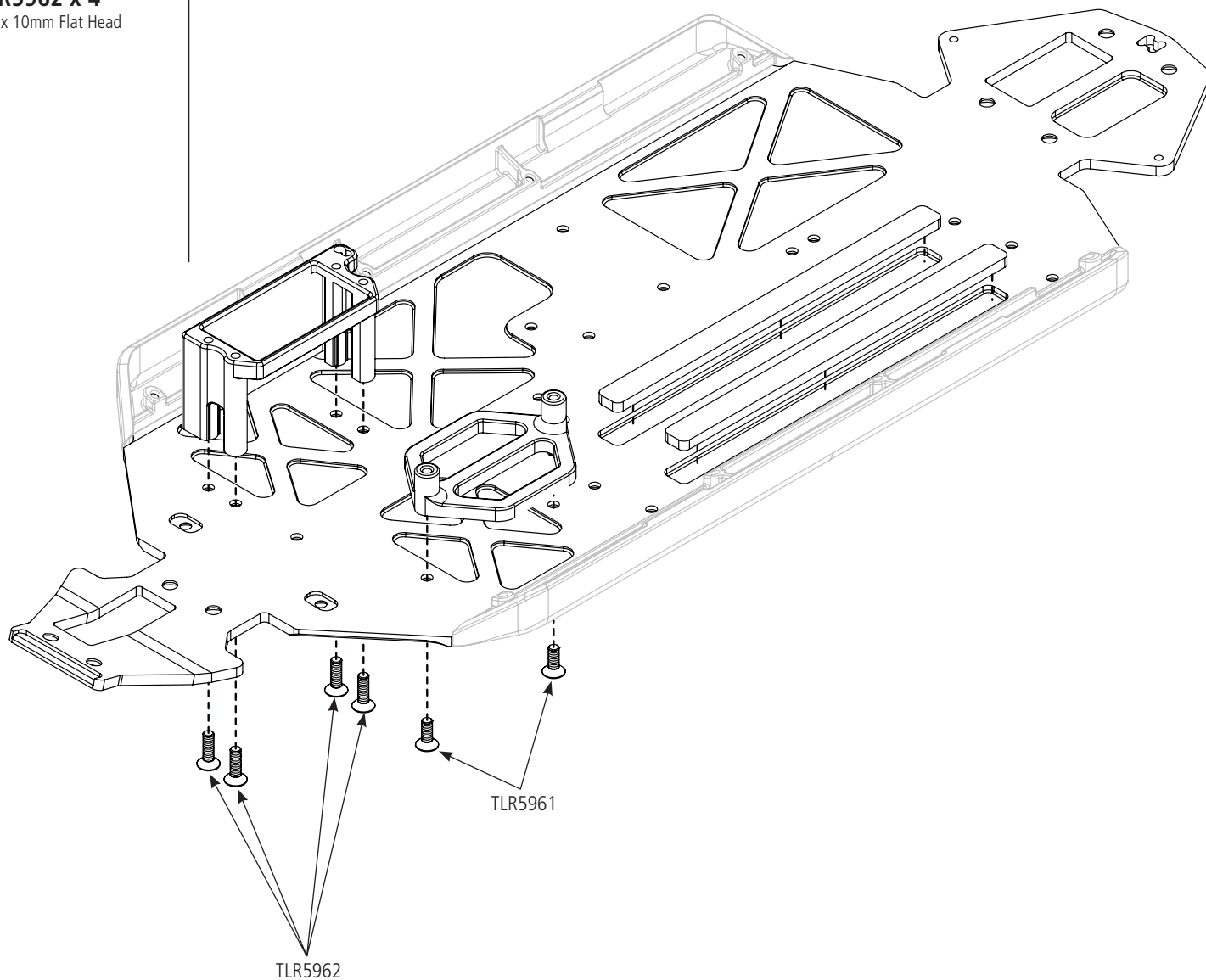
CHASSIS | KAROSSERIE | CHÂSSIS | TELAIO



TLR5961 x 2
M3 x 8mm Flat Head

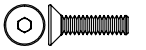


TLR5962 x 4
M3 x 10mm Flat Head

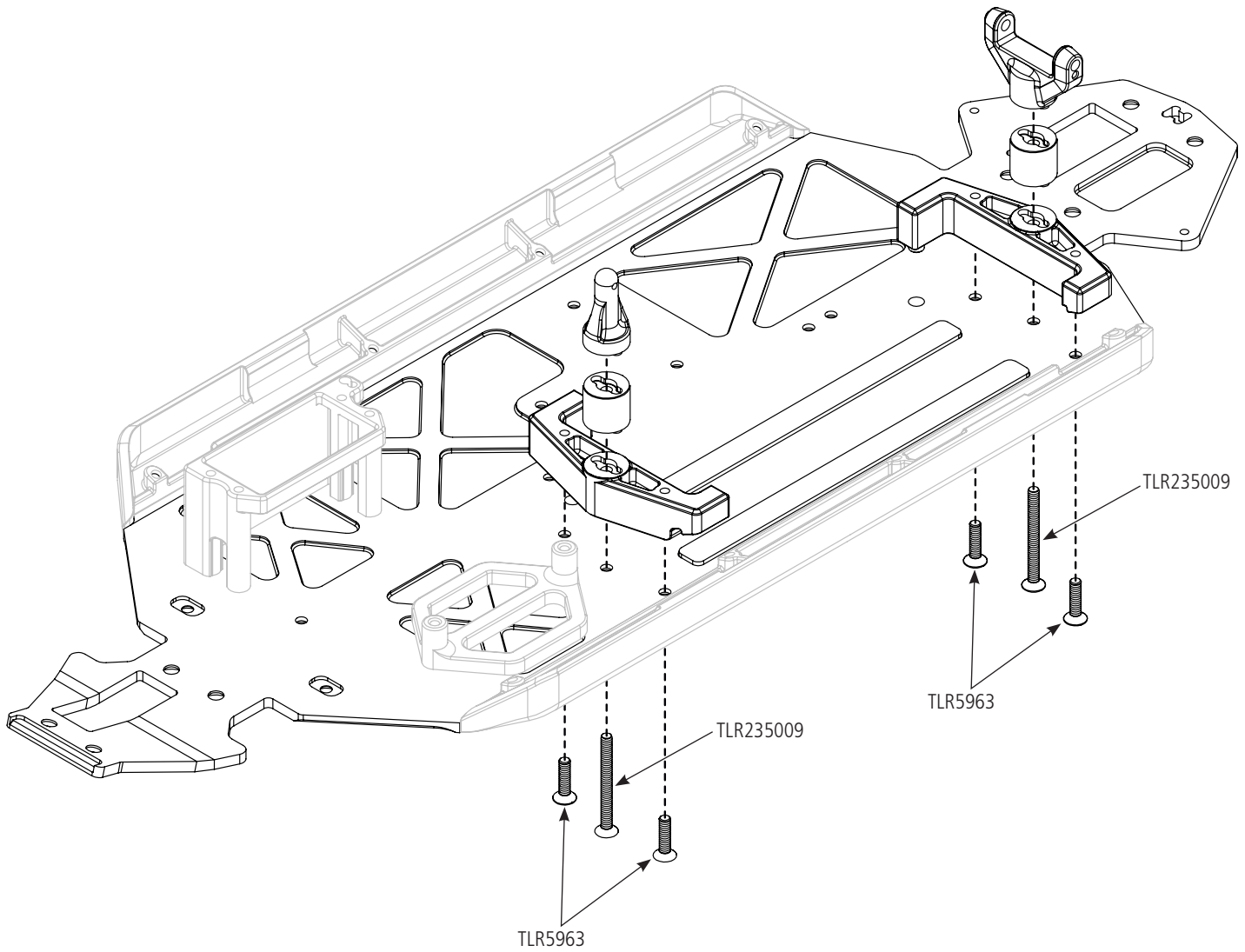




TLR235009 x 2
M3 x 30mm Flat Head



TLR5963 x 4
M3 x 12mm Flat Head

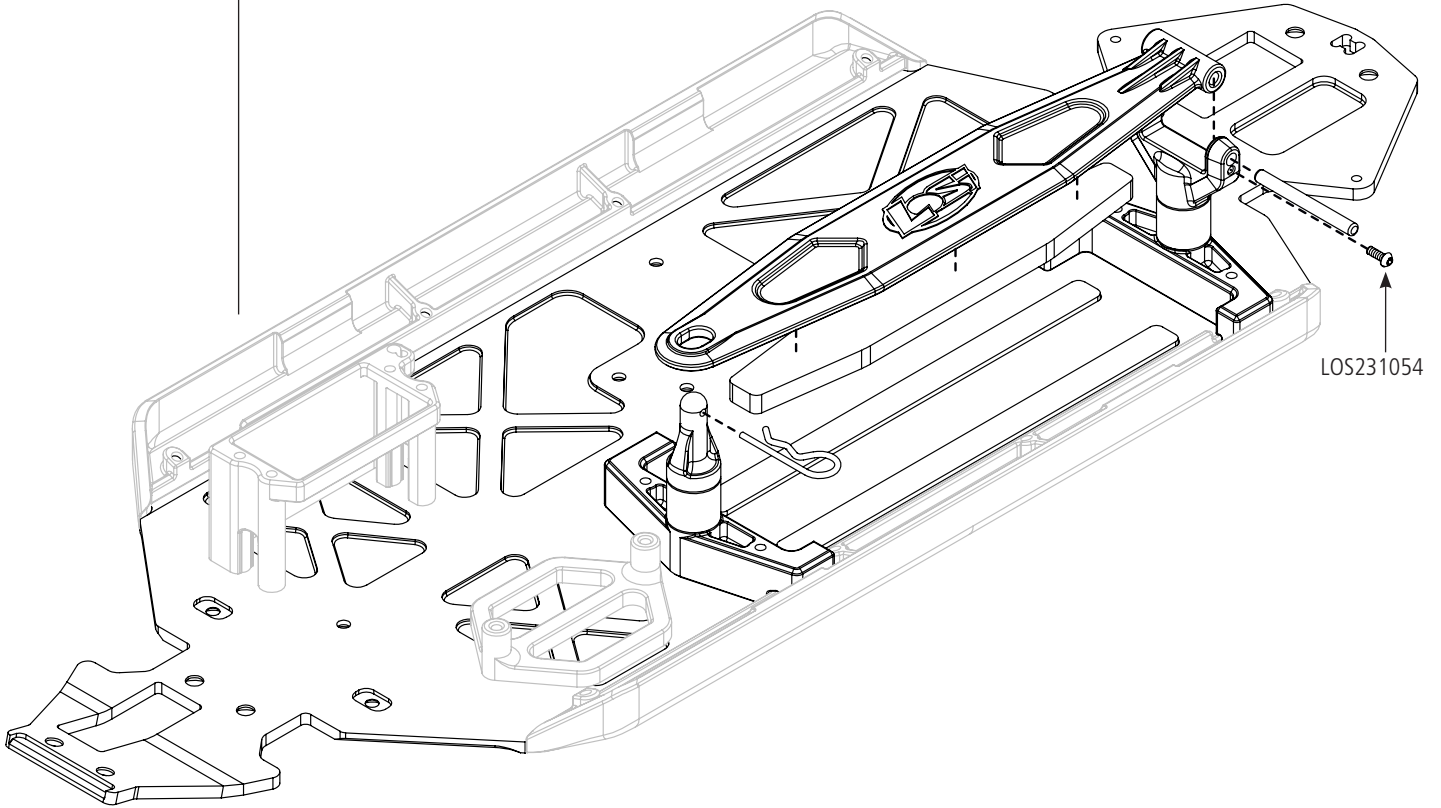


A4

CHASSIS | KAROSSERIE | CHÂSSIS | TELAIO



TLR231054 x 1
M2 x 5mm Button Head

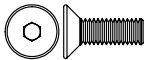




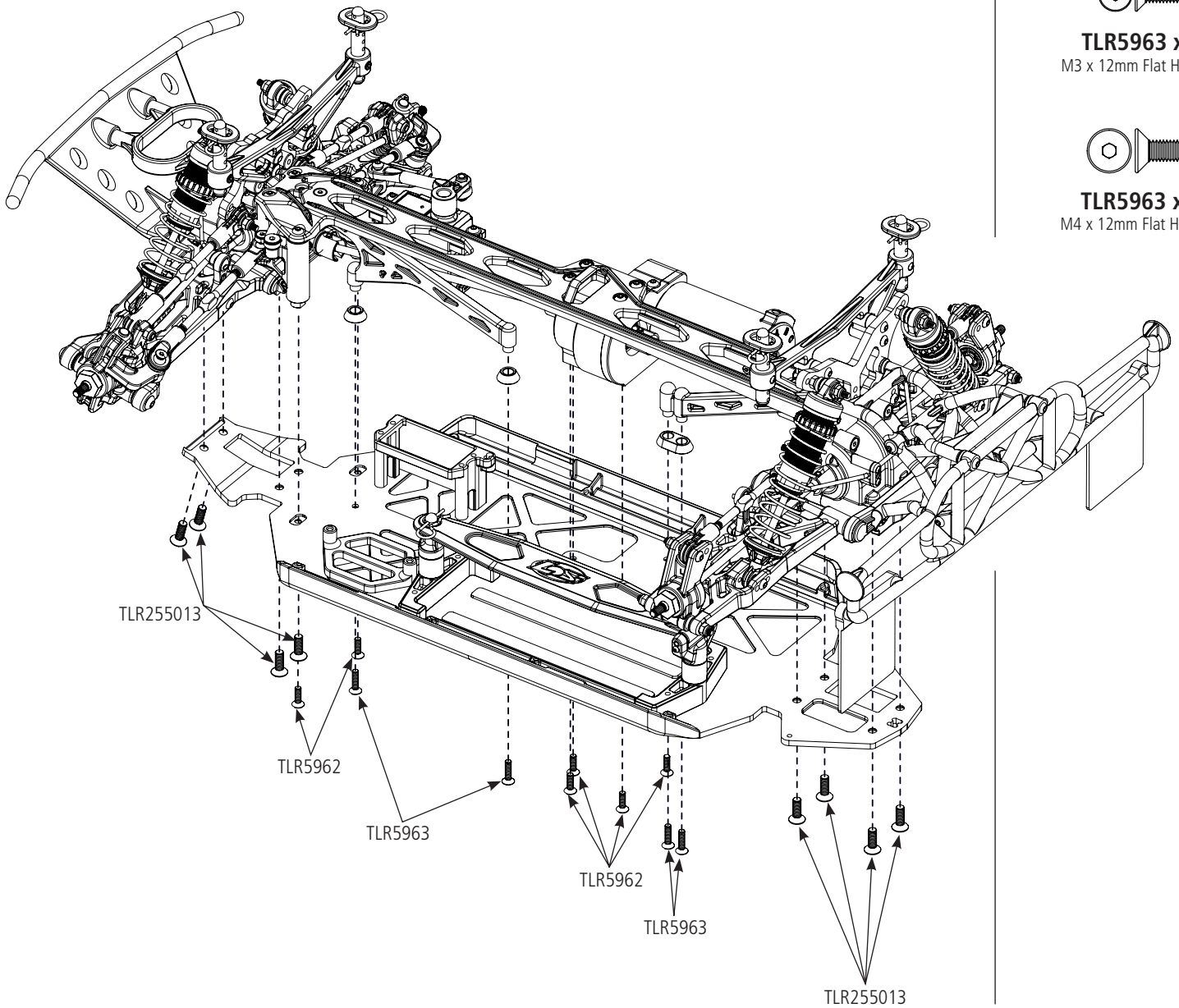
TLR5962 x 6
M3 x 10mm Flat Head



TLR5963 x 4
M3 x 12mm Flat Head



TLR5963 x 8
M4 x 12mm Flat Head

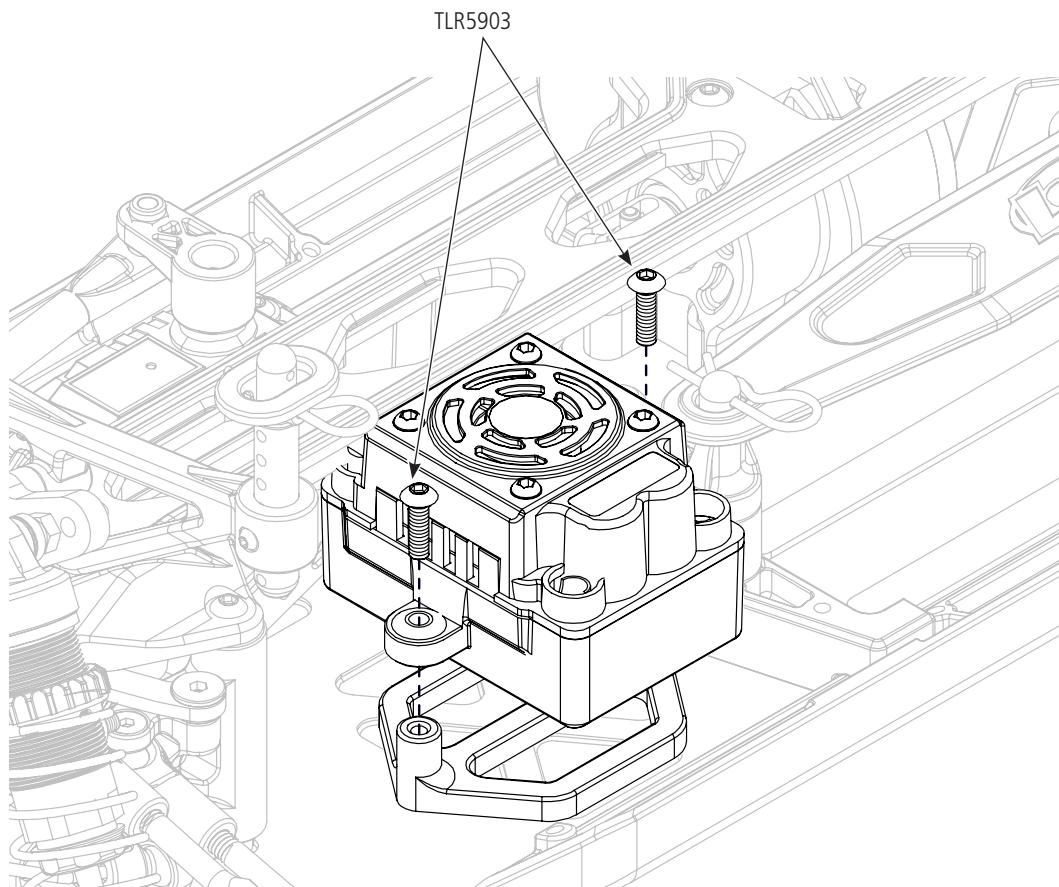


A6

CHASSIS | KAROSSERIE | CHÂSSIS | TELAIO



TLR5903 x 2
M3 x 10mm Button Head



A7

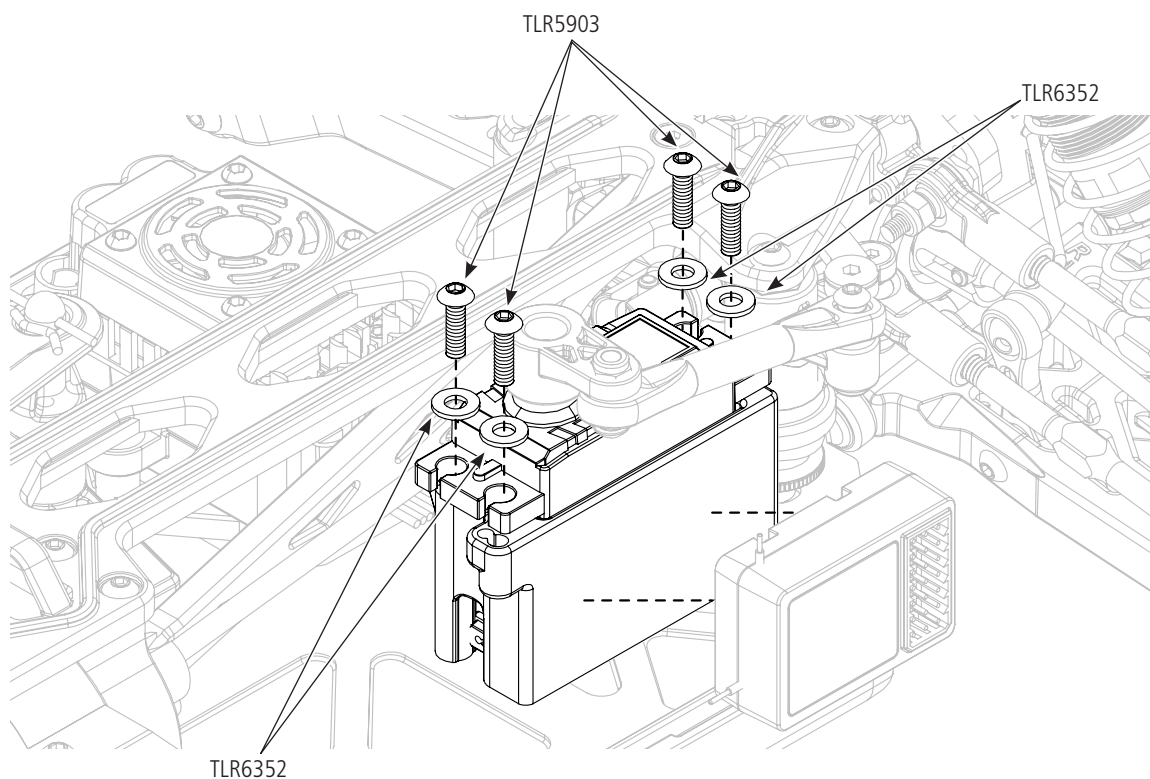
CHASSIS | KAROSSERIE | CHÂSSIS | TELAIO



TLR5903 x 4
M3 x 10mm Button Head



TLR6352 x 4
M3 Washer



**FRONT SHOCK TOWER | VORDERE STOSSDÄMPFERBRÜCKE |
TOUR D'AMORTISSEUR AVANT | TORRE AMMORTIZZATORE ANTERIORE**

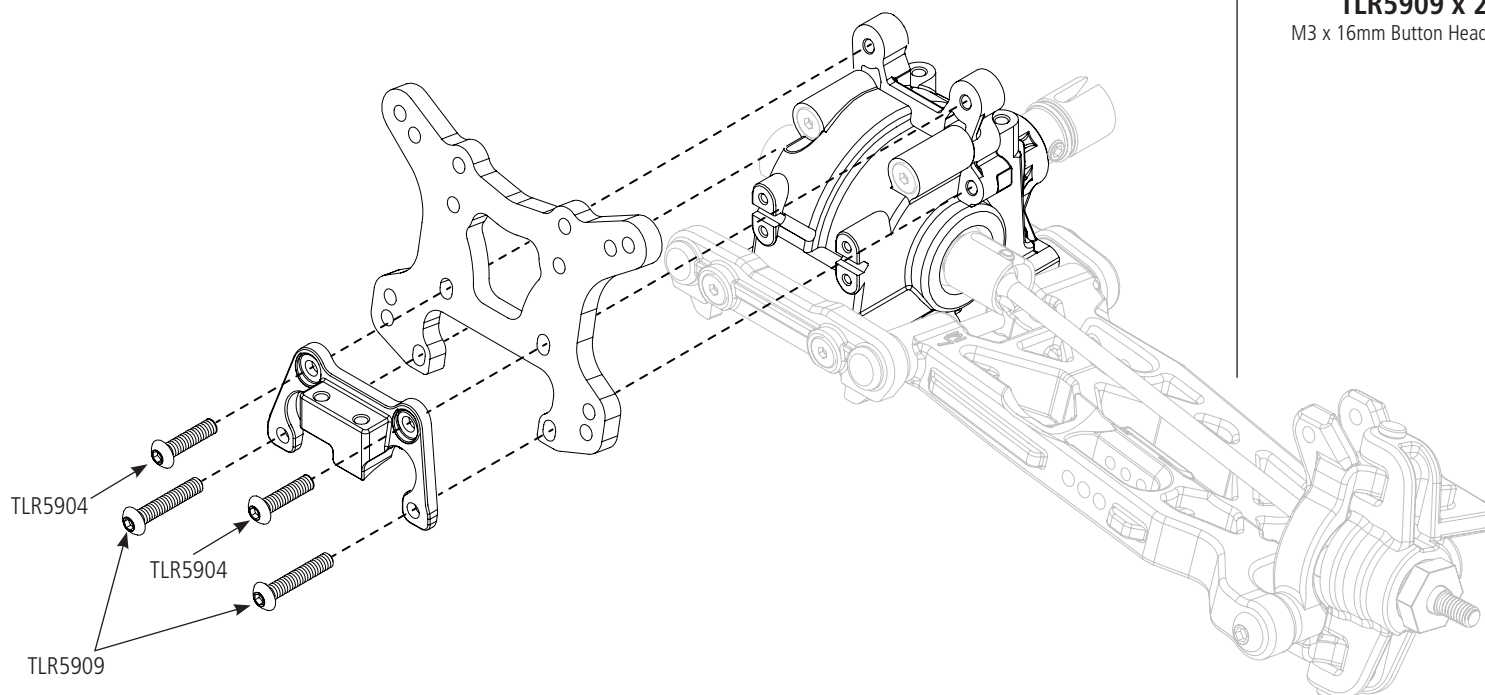
B1



TLR5904 x 2
M3 x 12mm Button Head



TLR5909 x 2
M3 x 16mm Button Head



C1

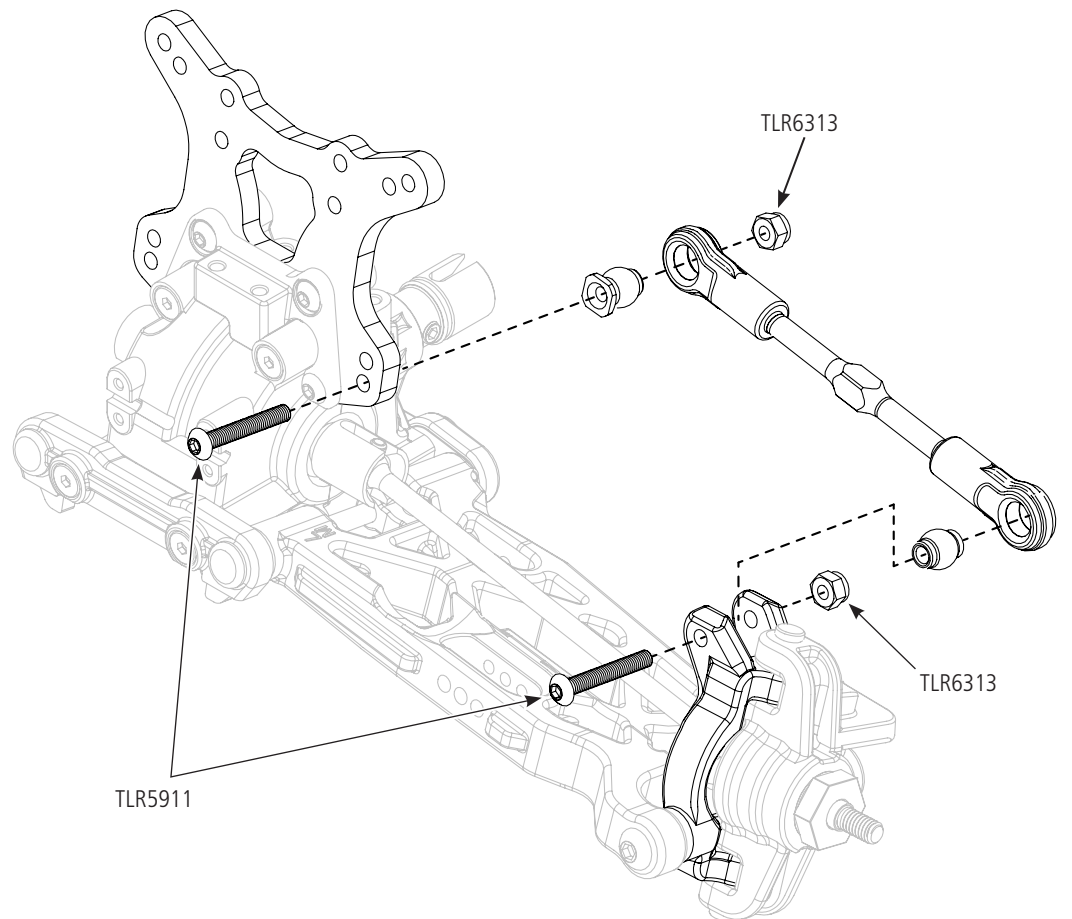
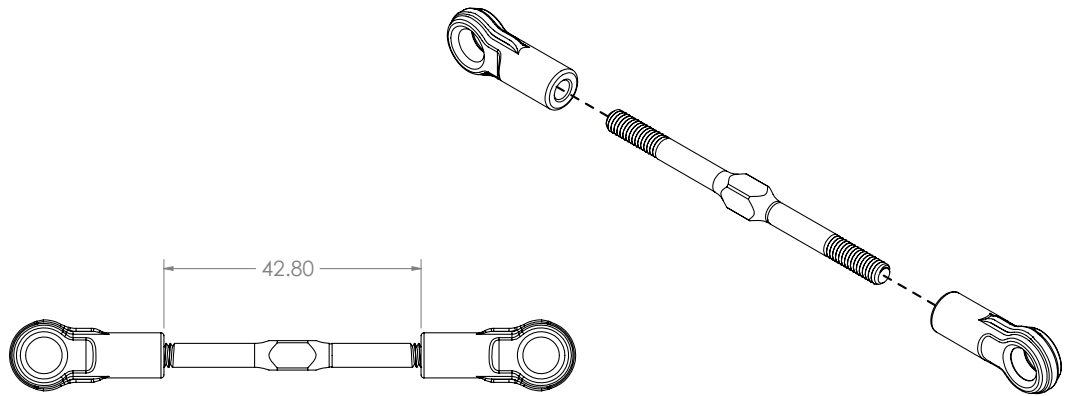
**FRONT CAMBER TURNBUCKLE | VORDERE KAMMERSPANNSCHRAUBE |
RIDOIR DE CAMBRURE AVANT | TENDITORE CAMBERAGGIO ANTERIORE**



TLR5911 x 2
M3 x 20mm Button Head



TLR6313 x 2
M3 Locknut



STEERING TURNBUCKLE | LENKUNGSSPANNSCHRAUBE | RIDOIR DE DIRECTION | TENDITORE DI STERZO

D1



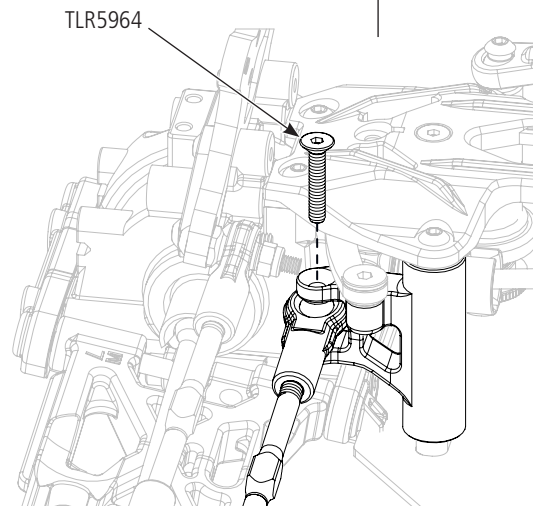
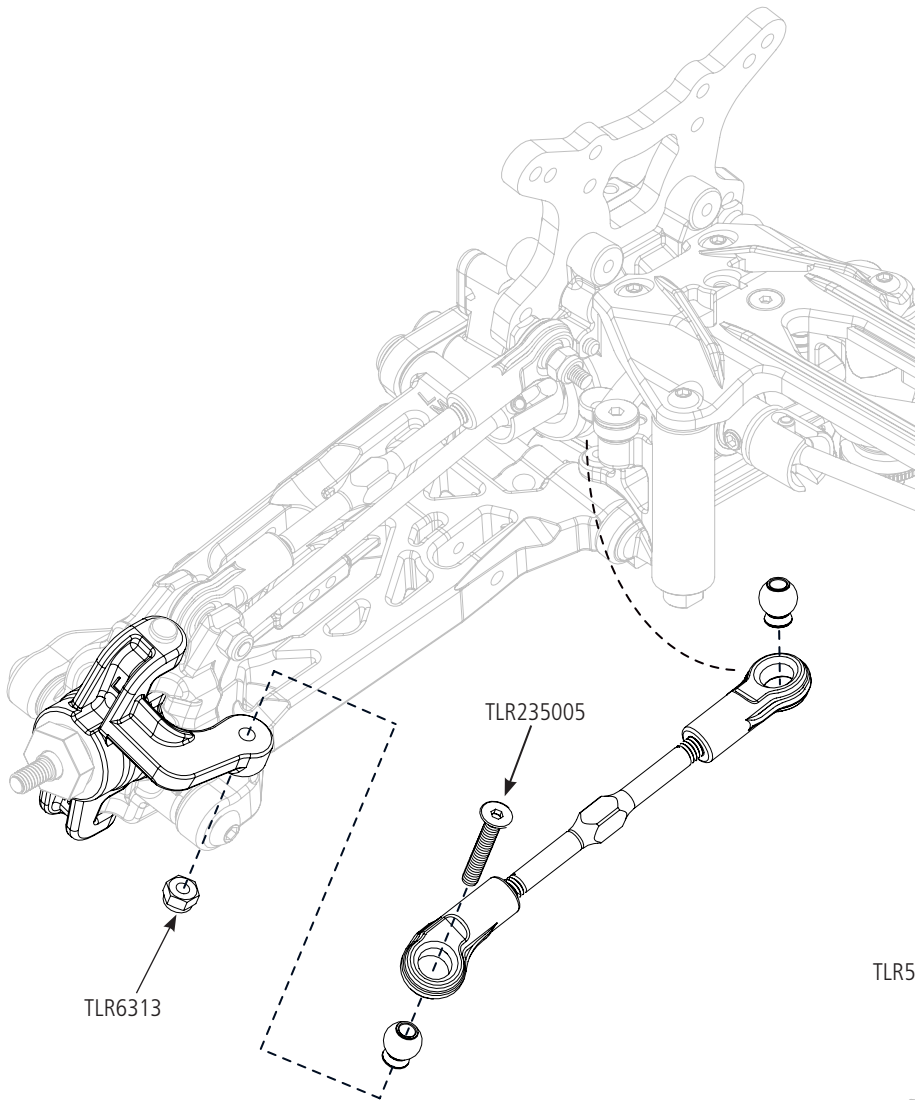
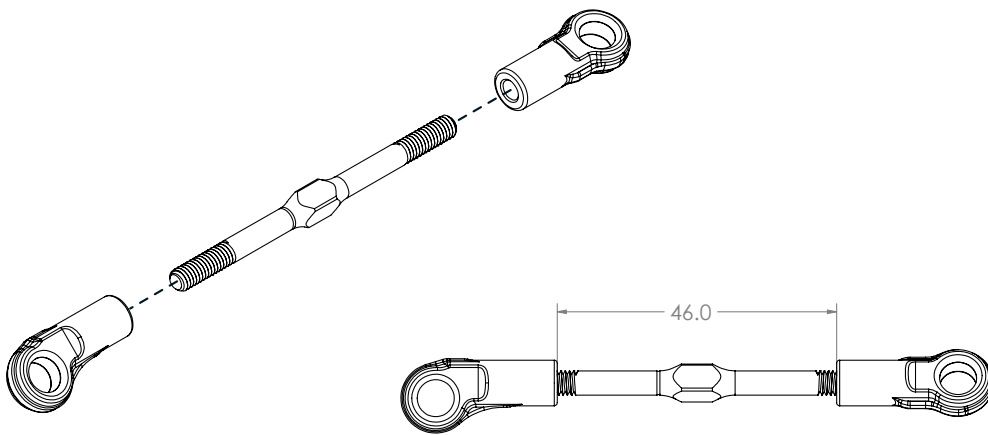
TLR5964 x 1
M3 x 16mm Flat Head



TLR235005 x 1
M3 x 18mm Flat Head



TLR6313 x 1
M3 Locknut



C1

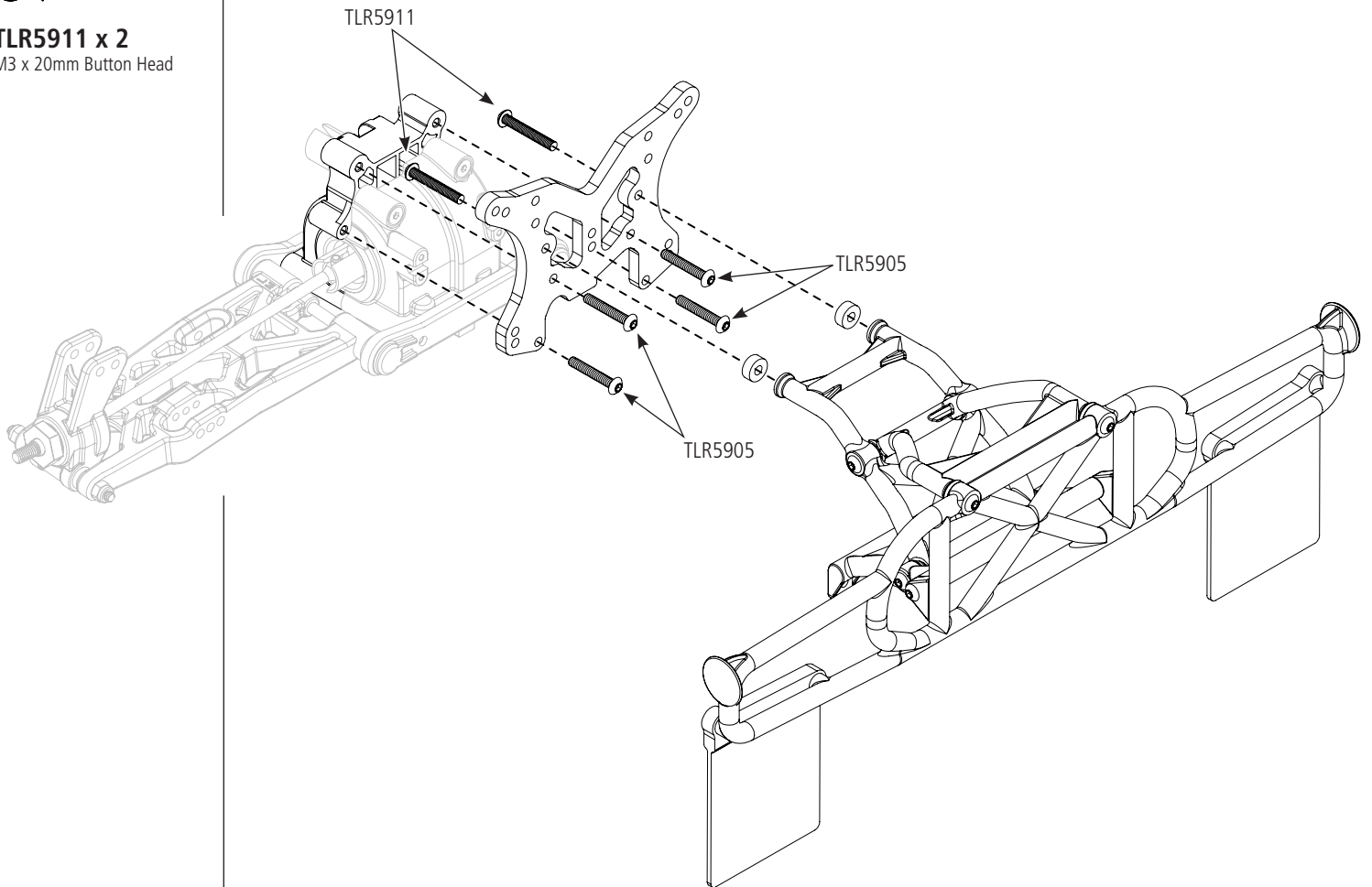
**REAR SHOCK TOWER | HINTERE STOSSDÄMPFERBRÜCKE |
TOUR D'AMORTISSEUR ARRIÈRE | TORRE AMMORTIZZATORE POSTERIORE**



TLR5905 x 4
M3 x 18mm Button Head



TLR5911 x 2
M3 x 20mm Button Head



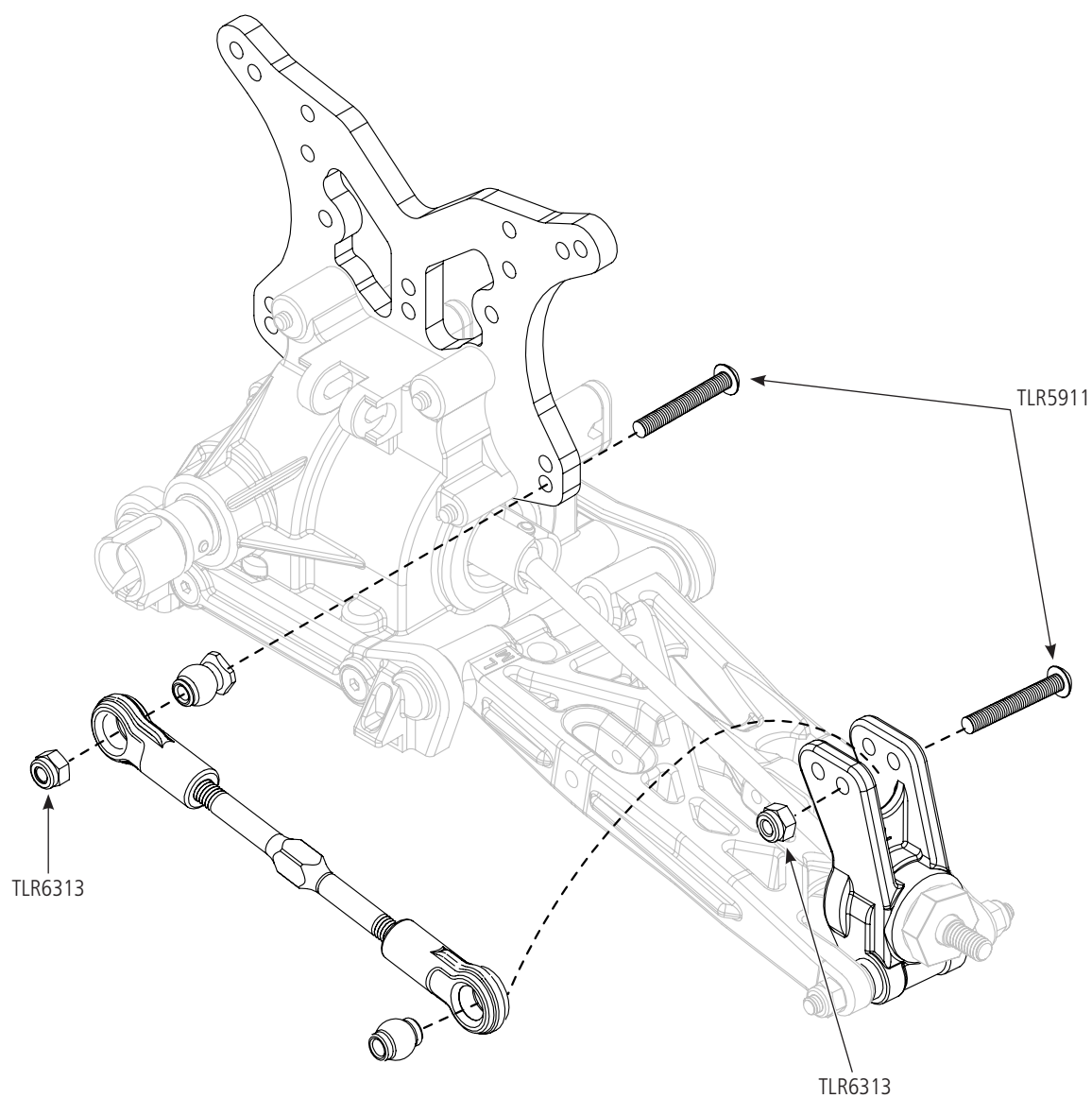
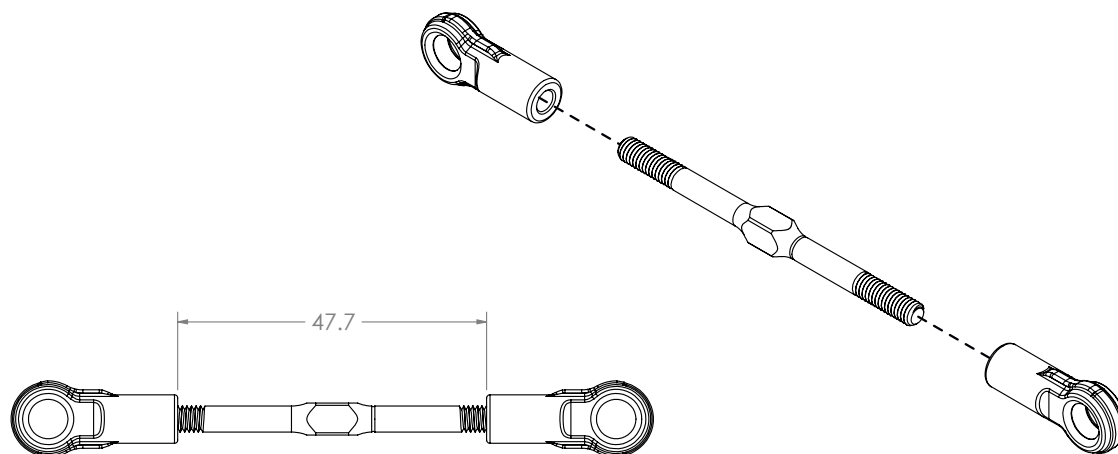
REAR CAMBER TURNBUCKLE | HINTERE KAMMERSPANNSCHRAUBE |
RIDOIR DE CAMBRURE ARRIÈRE | TENDITORE CAMBERAGGIO POSTERIORE



TLR5911 x 2
M3 x 20mm Button Head



TLR6313 x 2
M3 Locknut

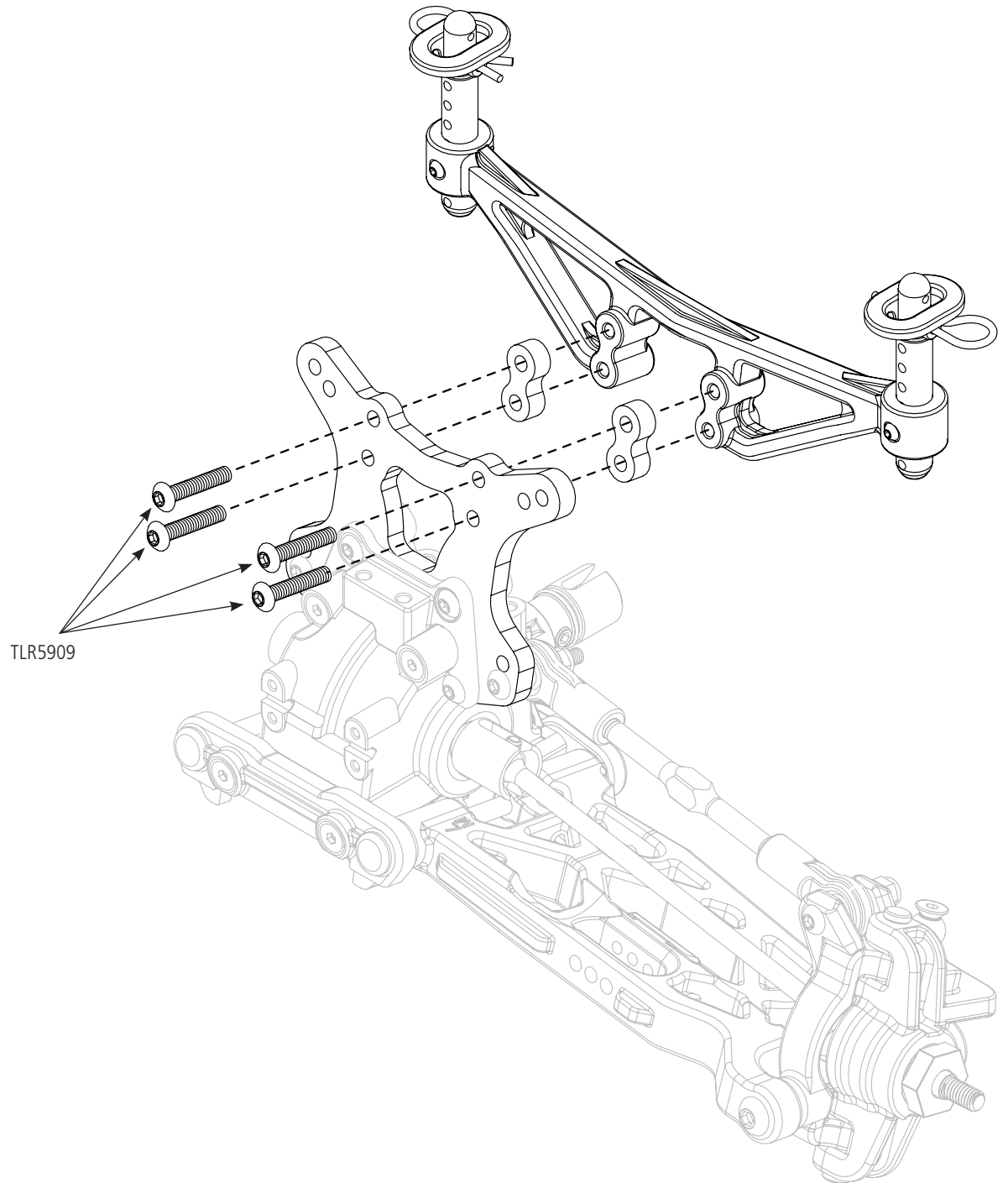


E1

**FRONT BODY MOUNT | VORDERE GEHÄUSEHALTERUNG |
MONTAGE DE CARROSSERIE AVANT | SUPPORTO CORPO ANTERIORE**



TLR5909 x 4
M3 x 16mm Button Head

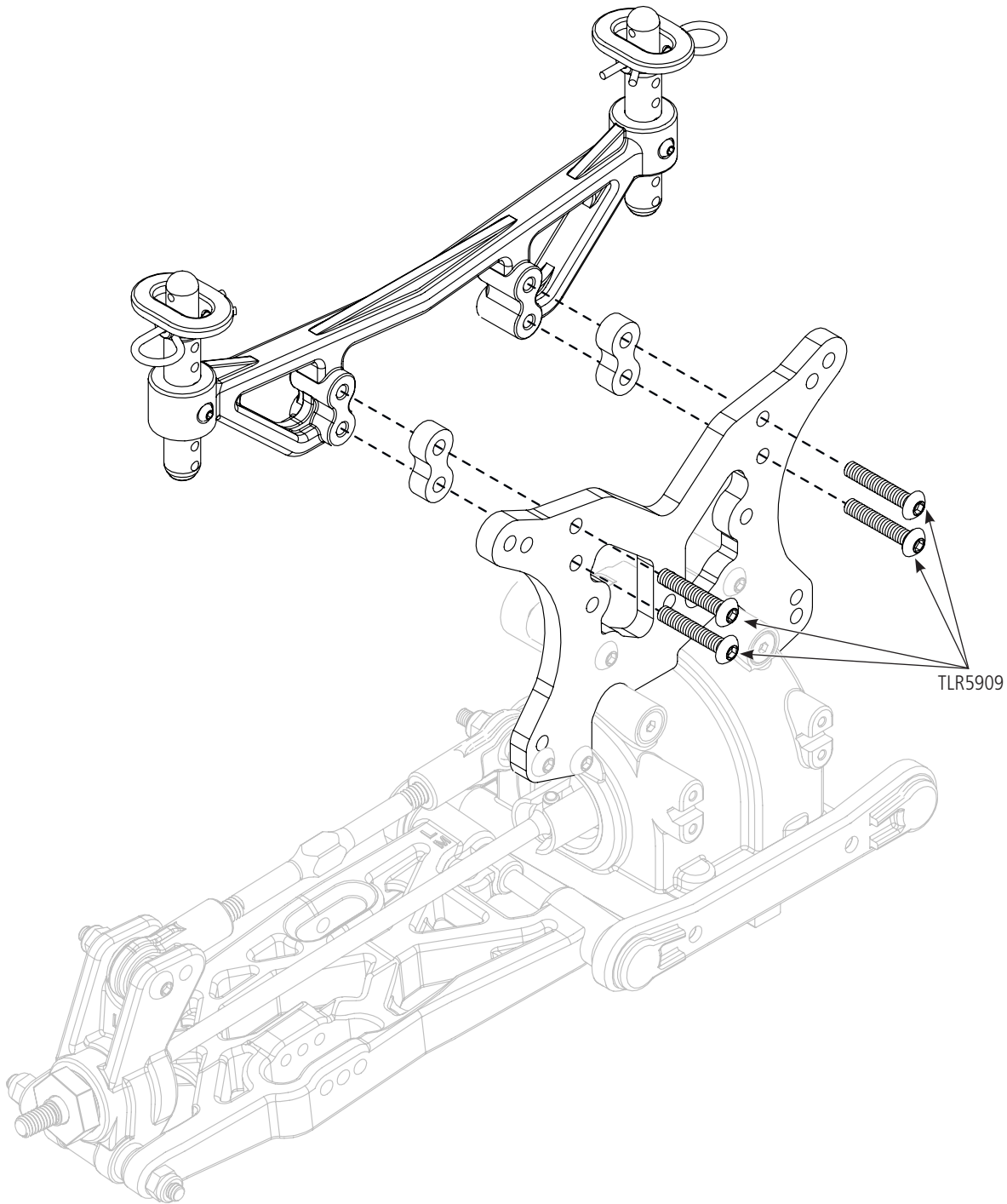


**REAR BODY MOUNT | HINTERE GEHÄUSEHALTERUNG |
MONTAGE DE CARROSSERIE ARRIÈRE | SUPPORTO CORPO POSTERIORE**

F1



TLR5909 x 4
M3 x 16mm Button Head



G1

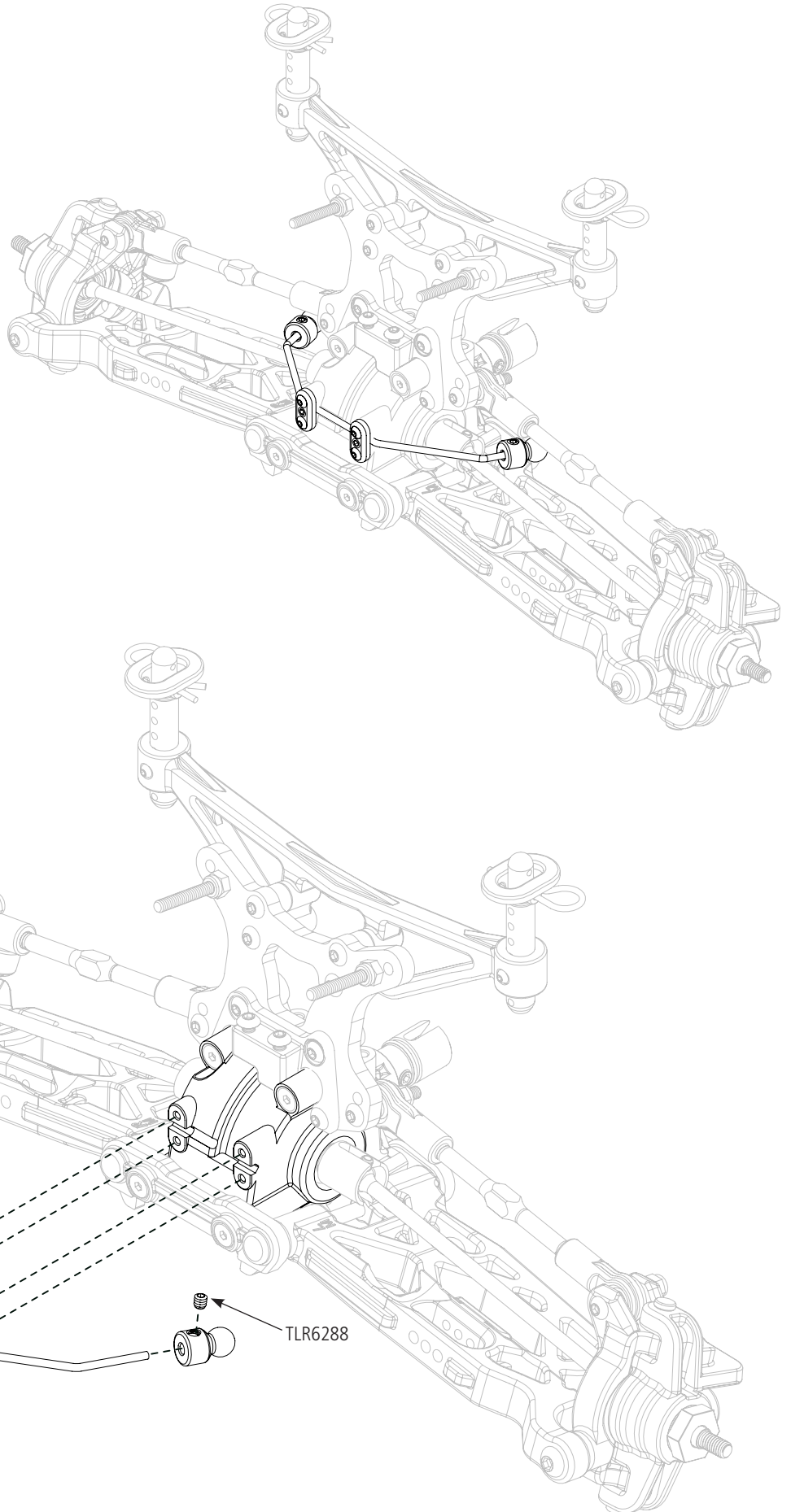
**FRONT SWAY BAR | VORDERE SCHWINGE |
BARRE STABILISATRICE AVANT | BARRA DI TORSIONE ANTERIORE**



TLR6288 x 4
M3 x 3mm Set Screw



TLR245011 x 4
M3 x 20mm Button Head

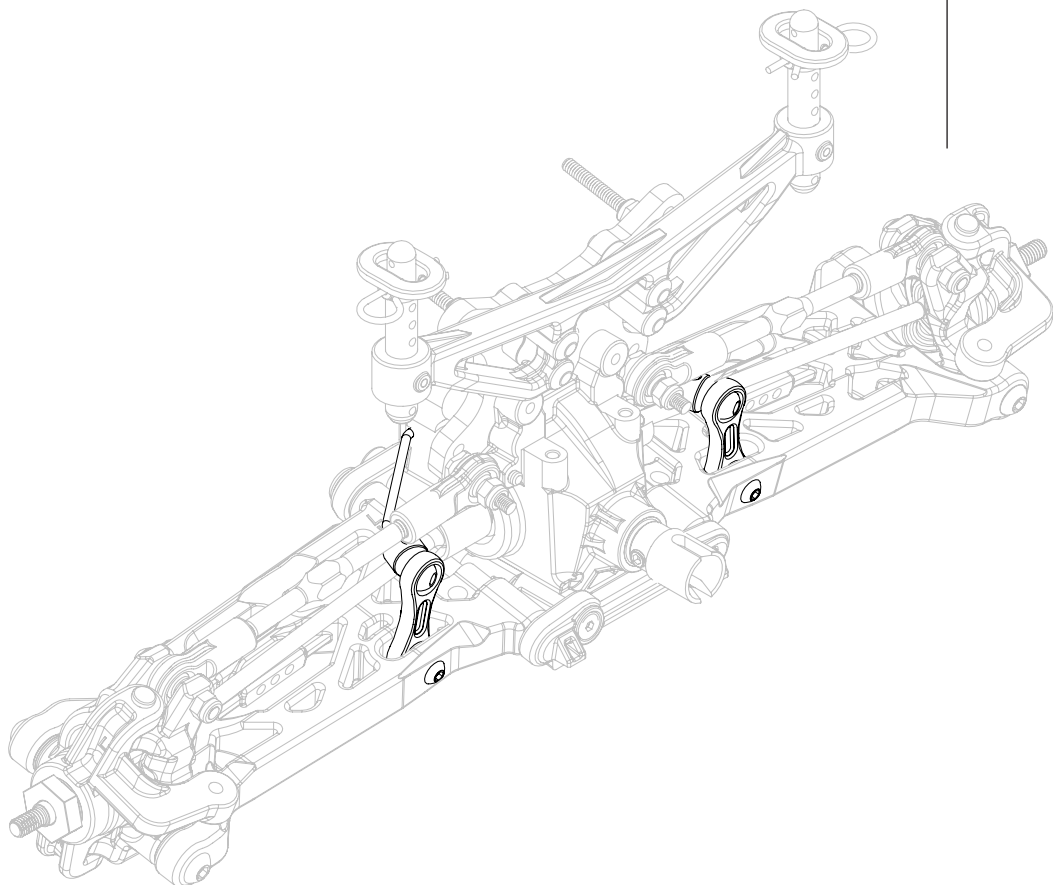
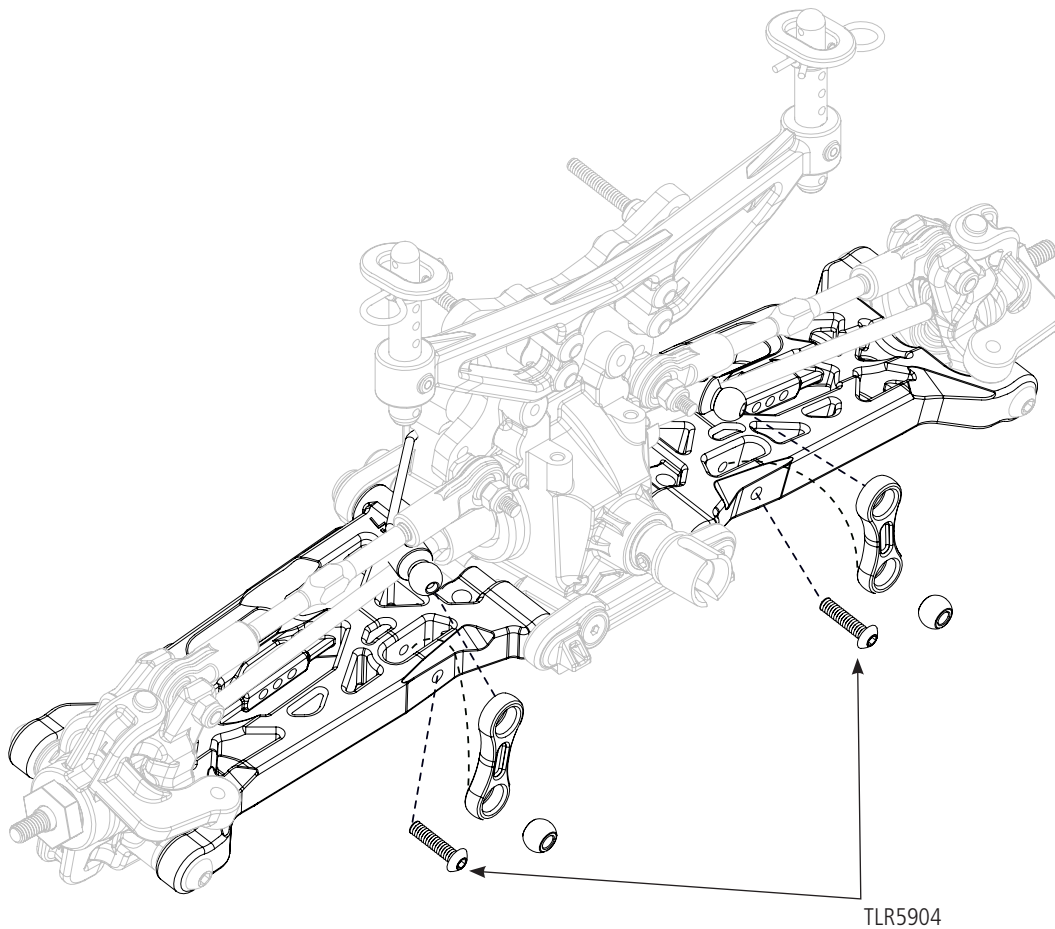


**FRONT SWAY BAR | VORDERE SCHWINGE |
BARRE STABILISATRICE AVANT | BARRA DI TORSIONE ANTERIORE**

G2



TLR5904 x 2
M3 x 12mm Button Head



H1

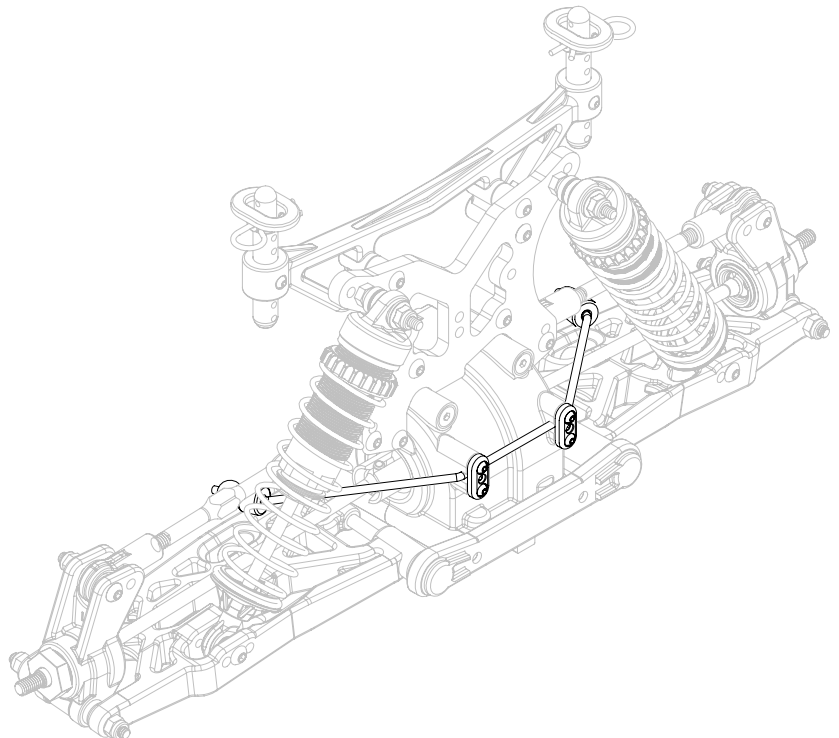
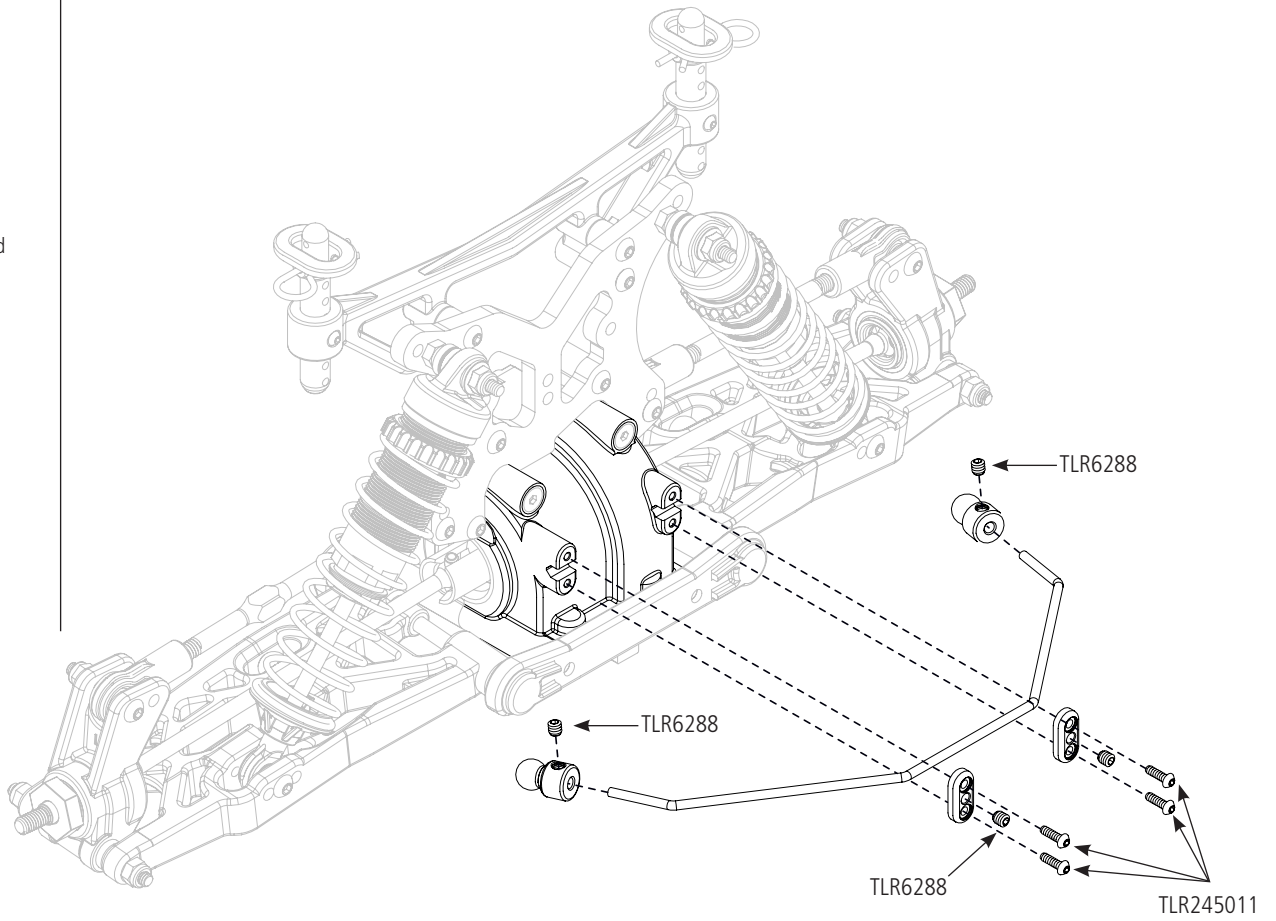
REAR SWAY BAR | HINTERE SCHWINGE | BARRE STABILISATRICE ARRIÈRE | BARRA DI TORSIONE POSTERIORE



TLR6288 x 4
M3 x 3mm Set Screw



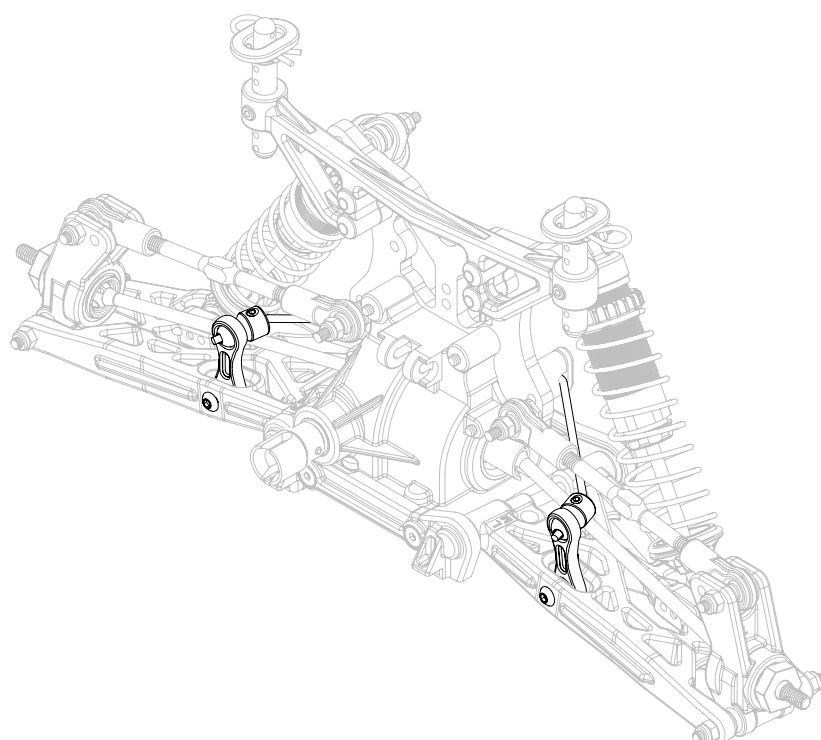
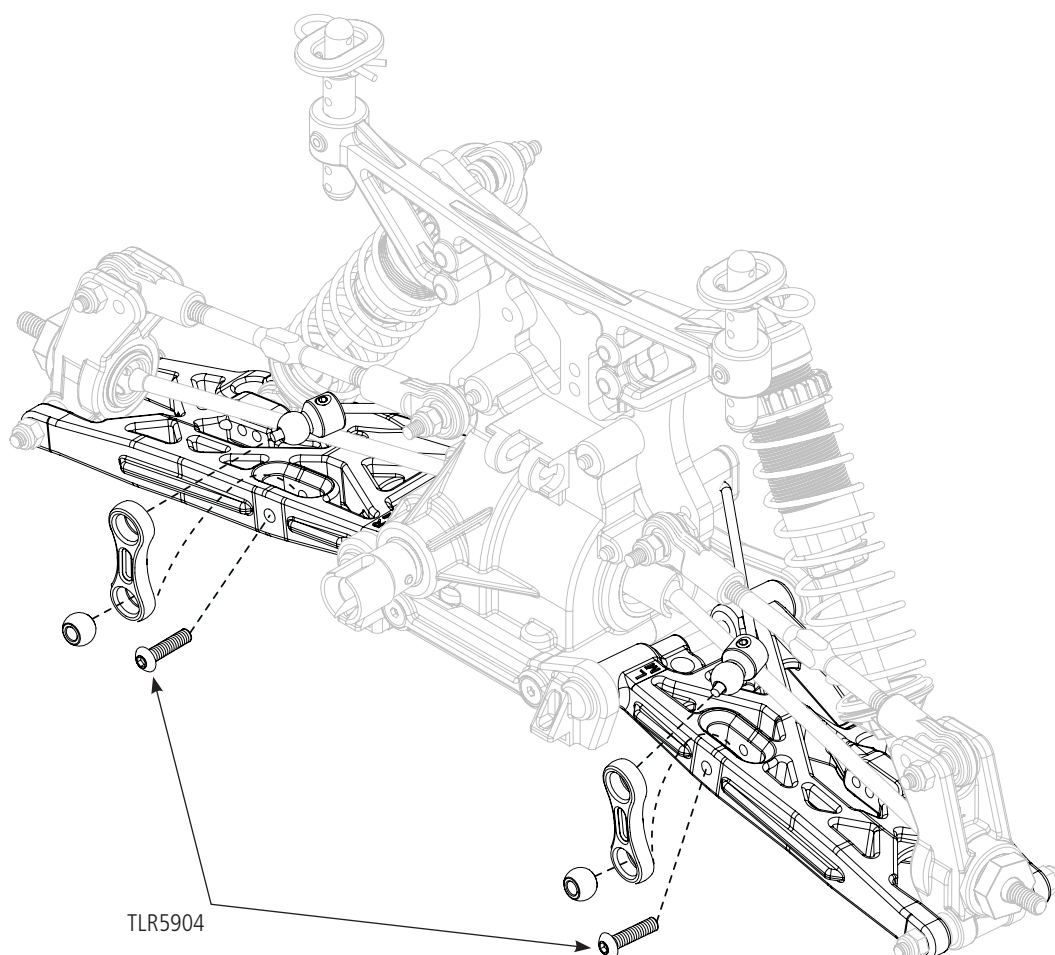
TLR245011 x 4
M3 x 20mm Button Head



REAR SWAY BAR | HINTERE SCHWINGE |
BARRE STABILISATRICE ARRIÈRE | BARRA DI TORSIONE POSTERIORE

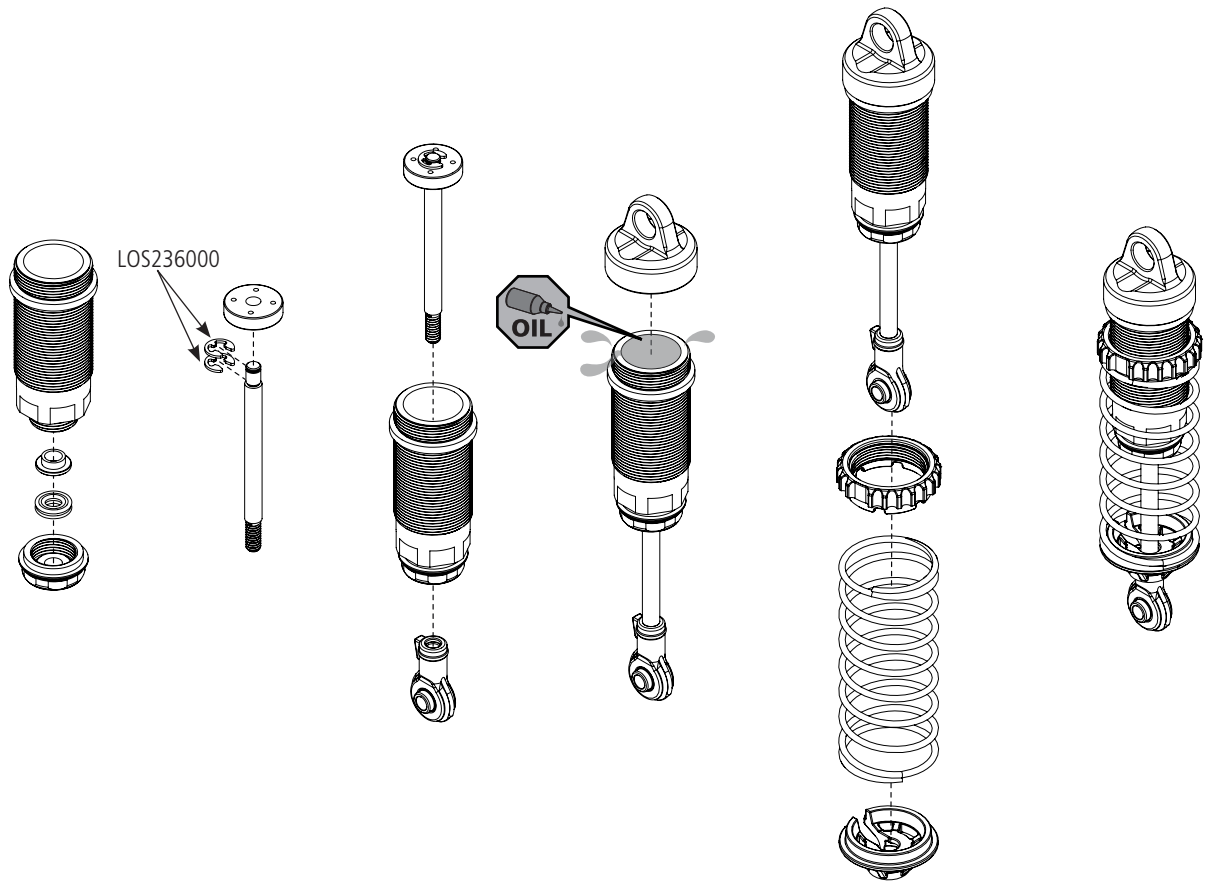


TLR5904 x 2
M3 x 12mm Button Head



**SHOCK ASSEMBLY | STOSSDÄMPFERMONTAGE |
AMORTISSEUR DE CHOC | GRUPPO AMMORTIZZATORE**

LOS236000 x 2





WWW.LOSI.COM

