



SMART  TM
T E C H N O L O G Y

**Spektrum Firma 25A Brushed Smart ESC
with Dual Protocol Receiver**

**Spektrum Firma 25A gebürsteter
SMART-Geschwindigkeitsregler mit Dual-
Protokoll-Empfänger**

**Variateur ESC Smart à balais Spektrum
Firma 25 A avec récepteur double protocole**

**Spektrum Firma 25 A Smart ESC a spazzole
con ricevitore a doppio protocollo**

HORIZON
H O B B Y


SPEKTRUM®

NOTICE

All instructions, warranties and other collateral documents are subject to change at the sole discretion of Horizon Hobby, LLC. For up-to-date product literature, visit horizonhobby.com or towerhobbies.com and click on the support or resources tab for this product.

Meaning of Special Language

The following terms are used throughout the product literature to indicate various levels of potential harm when operating this product:

WARNING: Procedures, which if not properly followed, create the probability of property damage, collateral damage, and serious injury OR create a high probability of superficial injury.

CAUTION: Procedures, which if not properly followed, create the probability of physical property damage AND a possibility of serious injury.

NOTICE: Procedures, which if not properly followed, create a possibility of physical property damage AND a little or no possibility of injury.



WARNING: Read the ENTIRE instruction manual to become familiar with the features of the product before operating. Failure to operate the product correctly can result in damage to the product, personal property and cause serious injury.

This is a sophisticated hobby product. It must be operated with caution and common sense and requires some basic mechanical ability. Failure to operate this Product in a safe and responsible manner could result in injury or damage to the product or other property. This product is not intended for use by children without direct adult supervision. Do not attempt disassembly, use with incompatible components or augment product in any way without the approval of Horizon Hobby, LLC. This manual contains instructions for safety, operation and maintenance. It is essential to read and follow all the instructions and warnings in the manual, prior to assembly, setup or use, in order to operate correctly and avoid damage or serious injury.

Age Recommendation: Not for children under 14 years.
This is not a toy.

NOTICE: This product is only intended for use with unmanned, hobby-grade, remote-controlled vehicles and aircraft. Horizon Hobby disclaims all liability outside of the intended purpose and will not provide warranty service related thereto.

Waterproof Component

Your new Horizon Hobby® Spektrum™ 25A Brushed Waterproof 2-in-1 ESC and Dual Protocol Receiver has been designed and built to allow you to operate the product in many “wet conditions”, including puddles, creeks, wet grass, snow and even rain.

While waterproof, this component has not been designed to be immersed in water for long periods of time and should NOT be treated like a submarine. In addition, most metal parts, including any screws and nuts, as well as the contacts in the electrical cables, will be susceptible to corrosion if additional maintenance is not performed after running in wet conditions.

To maximize the long-term performance of your ESC and to keep the warranty intact, it should only be used as described in the “Usage Conditions” section of this manual. Additionally, the procedures described in the “Wet Conditions Maintenance” section must be performed regularly if you choose to run in wet conditions. If you are not willing to perform the additional care and maintenance required, then you should not operate your vehicle in those conditions.



CAUTION: Failure to exercise caution while using this product and comply with the following precautions could result in product malfunction and/or void the warranty.

General Precautions

- Read through the wet conditions maintenance procedures and make sure that you have all the tools you will need to properly maintain your ESC.
- Do not operate your ESC where it could come in contact with salt water (ocean water or water on salt-covered roads), contaminated or polluted water. Salt water is very conductive and highly corrosive, so use caution.

Usage Conditions

Your ESC will operate successfully in any of the following, individual-usage scenarios:

- 2 hours continuous operation in damp grass or vegetation.
- 2 hours continuous operation in heavy fog (95% humidity, saturated air, condensing water).
- 1 hour continuous operation in light rain (<0.10 in/2.5mm per hour).
- 15 minutes continuous operation in heavy rain (>0.30 in/7.6mm per hour).
- 1 hour continuous operation in light sleet (<0.10 in/2.5mm per hour).
- 1 hour continuous operation in light snow (<0.25 in/6.35mm per hour).
- 45 minutes continuous operation in standing or running fresh water (the water level should always remain below the vehicle frame), or constant splashing water, without any immersion of waterproof component(s).
- 5 minutes continuous operation in standing or running fresh water (the water level should never rise higher than 0.5 in (about 10mm) above the vehicle frame), constant splashing water, or frequent, intermittent immersion of waterproof component(s).
- 1 hour continuous operation in damp sand, dirt, mud or snow (the material level should always be below the vehicle frame), constant splatter without any immersion or coverage of waterproof component(s).

Furthermore, when appropriate maintenance procedures (as described below) are performed promptly following exposure, the ESC will remain best protected from corrosion or other long-term, water-related damage.

Wet Conditions Maintenance

- Gently rinse the mud and dirt off the ESC with a garden hose.
- Remove the battery pack(s) and dry the contacts.
- If you have an air compressor or a can of compressed air available, blow off the ESC to help remove any water that may have gotten into small crevices or corners. Dry any water that may be inside a recessed connector housing.
- Let the ESC air dry before you store it. Water may continue to seep or evaporate out of tight areas for a few hours.

NOTICE: Never use a pressure washer to clean your vehicle.

Contents

Features.....	6
Diagram	8
Installation.....	9
Binding	10
ESC and Transmitter Calibration	11
Operation	12
Failsafe	12
Programming and Update Ports	12
ESC Programming.....	13
Programmable Items.....	14
Programmable Values	15
Receiver Firmware Updates	16
LED Indicators	17
Receiver Troubleshooting Guide	18
Telemetry Troubleshooting Guide.....	19
ESC Troubleshooting Guide.....	19
1-YEAR LIMITED WARRANTY	21
Warranty and Service Contact Information	25
FCC Information.....	25
Compliance Information for Canada.....	26
Compliance Information for the European Union	27

Features

Firma 25 Amp Brushed SMART ESC with Receiver

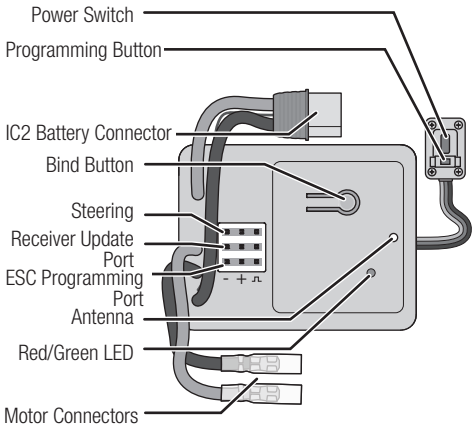
This ESC and receiver combination is compatible with Spektrum DSM2[®]/DSMR[®]/SLT surface transmitters, and includes built-in SMART telemetry. Use a Spektrum transmitter with SMART compatible telemetry to view ESC and battery data.

An update may be required for your transmitter for SMART features, see SpektrumRC.com for more information.

This 2in1 has three servo ports on the receiver. Only one of the ports is for servo use, for steering. The throttle is internally connected to the ESC and does not have a servo port. There are no telemetry ports, all telemetry features are integrated. The second and third ports on the receiver are for updating and programming the unit. See the Diagram for more information.

Specifications	SPMXSER1025
Type	FIRMA 2 in 1 - 25A Brushed Smart ESC/Dual Protocol RX
Dimensions (L x W x H)	1.5 x 1 x 0.79 inches (38 x 26 x 20mm) without mounting tabs
Antenna Length	18mm
Channels	2 (No Throttle Servo Output)
Weight	1.2 oz (34g)
BEC Voltage	6V/1.5A
Telemetry Features	Battery Voltage, Current, ESC Temp, Battery Data (with SMART Battery)
Battery Input Connector	IC2™ (EC2™ Compatible)
Voltage Range	2–3S Li-Po*/5–9S NiMH
Max Current	25A Continuous/ 70A Burst
Motor Connectors	4mm Female Motor Bullets
Compatible Motors	180-390 sized brushed

Diagram



NOTICE: Always disconnect the battery from the ESC when you have finished operating your vehicle. If you leave the battery connected with the power switch in the OFF position, the ESC will continue to draw current when connected to the battery, resulting in possible damage to the battery through over-discharge.

NOTICE: Do not connect a dedicated receiver battery to the servo or programming ports. When the ESC/Receiver is turned On it will provide the servo ports with 6V regulated power from the main battery. If a dedicated receiver battery is connected to the servo ports, the ESC/receiver may be damaged.

Installation

1. Determine how to mount the ESC/Receiver as specified by your vehicle's instruction manual, or in an area with adequate airflow and protection from damage. Ensure all wiring connections can be reached prior to mounting. For the best reception performance choose a mounting arrangement that will put the antenna as high as possible in the vehicle, away from metal or carbon fiber.
2. Use double-sided foam tape or the mounting tabs with screws on the bottom of the case to secure the ESC in position. The switch can be mounted with double sided foam tape.
3. Connect the red power connectors together and the black power connectors together between the ESC and the motor.
4. If you need to reverse the motor direction you can reverse the power connections between the motor and ESC.
5. Secure all wiring and ensure the 2-in-1 has good airflow.

NOTICE: Do not cut, kink, or modify the antenna. Damage to the antenna or shortening it will reduce the range.

Binding

This receiver can bind to either DSM or SLT transmitters.

DSMR or DSM2

1. Connect a battery but leave the power switch OFF.
2. Press and hold the bind button on the receiver.
3. Throttle should be at neutral to set failsafe. Power ON the receiver. The red and green LEDs both flash, indicating the receiver is in bind mode. Release the bind button after the LEDs begin to flash.
4. Put your transmitter in bind mode.
5. The bind process is complete when the green LED on the receiver remains lit. The motor emits a Spektrum 4 tone cycle, confirmation of battery cell count tones and a rising confirmation tone.

SLT

1. Begin with no battery connected.
2. Throttle should be at neutral to set failsafe.
3. Connect a battery to the receiver and immediately press and release the bind button on the receiver three times rapidly (within 1.5 seconds of powering ON).
4. The red and green LED flashes, indicating the receiver is in bind mode.
5. Put your transmitter in bind mode.
6. The bind process is complete when the green LED on the receiver remains lit. The motor emits a Spektrum 4 tone cycle, confirmation of battery cell count tones and a rising confirmation tone.

ESC and Transmitter Calibration

When using a new ESC it is important to calibrate it so the ESC matches the throttle range on your transmitter. If you install a new radio system, or make changes to your throttle/brake values in your transmitter, you must redo the ESC Calibration Process. Failure to calibrate the ESC to your radio system will result in the ESC not working correctly. Set the Fail Safe on your radio to a neutral position to ensure the motor stops in the event of a signal loss.

1. Power ON your transmitter, and begin with throttle values at 100% for dual rates and travel, and at neutral for trim and sub-trim. Verify there are no ABS braking functions activated before proceeding with calibration.

For transmitters without an LCD, turn the D/R knob to the max setting, and center the throttle trim.

2. Connect a battery to the ESC.
3. Press and hold the programming button on the switch case, power on the ESC. The red LED on the ESC will start to flash and the motor will beep, release the programming button (The ESC will enter the programming mode if the programming button is not released within 3 seconds).
4. With the throttle trigger and trim in the neutral position, press and release the programming button. The Red LED will flash once and the motor will emit one tone.
5. Pull the throttle trigger to full throttle, and press and release the programming button. The Red LED will flash twice and the motor will emit two tones.
6. Push the throttle trigger to full reverse, and press and release the programming button. The Red LED will flash three times and the motor will emit three tones.

7. Power OFF the system with the ON/OFF switch.
8. Power ON the system with the ON/OFF switch. The system is ready for operation

Tip: Beeps from the motor may be quiet and difficult to hear, use the LED status to help verify settings.

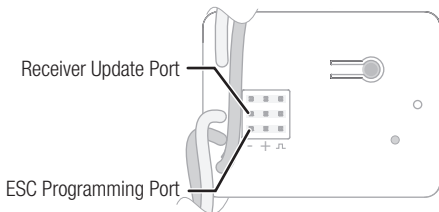
Operation

1. Power on the transmitter.
2. Power on the receiver.
3. The green LED on the receiver will be illuminated when it is connected to your transmitter.
4. Disconnect your battery from the ESC/Receiver after operation.

Failsafe

In the unlikely event that the radio link is lost during use, the 2-in-1 will drive the throttle channel to the neutral (throttle off) position. If the 2-in-1 is powered on prior to turning on the transmitter, it will enter failsafe mode, leaving throttle off. When the transmitter is turned on, normal control will resume.

Programming and Update Ports



ESC Programming

The ESC in the 2-in-1 may be programmed via the push button on the switch, or with the optional SPMXCA200 Program Card.

To change settings with the programming button:

1. Power ON your transmitter. Connect a battery to the ESC and power it ON. The transmitter and receiver must be connected.
2. Press and hold the programming button for 1 second.
OPTIONAL: Press and hold the programming button for 5 seconds to reset all ESC programming options.
3. Release the programming button, the red LED will blink to indicate it has entered programming mode
4. The red LED blinks (and the motor beeps) to indicate the programming item. Press the programming button for one second in order to toggle through the programmable items. 1 red LED blink for item one, 2 red LED blinks for item 2 etc. For item 5 and above, one long LED blink for item 5, one long LED blink and 1 short LED/blinks for item 6 etc. For items 10 and above, 2 long LED blinks for item 10, 2 long LED blinks and 1 short LED/blinks for item 11 etc.
5. Press and hold the programming button for 3 seconds when you want to enter a programming item.
6. The LED blinks to indicate the programming value within the item selection.
7. Press and hold the programming button for 3 seconds when you want to select a programming value.
8. Power off the ESC.
9. Begin the process again to change any other programming values.

To change settings with the programming box:

1. Begin with no battery connected.
2. Connect the cable for the programming box into the programming port as shown.
3. Connect a battery and power ON the ESC.
OPTIONAL: The ESC settings can be reset to default by pressing “Reset” and then “OK” buttons.
4. Press Select button on the program box once.
5. Select the programming choices. Press SAVE after any changes are made.
6. Power off the ESC.
7. Disconnect the cable for the programming box.

Programmable Items

1. Running mode
2. Battery Type Li-Po/NiMH (Li-Po has Low Voltage Cutoff)
3. Cutoff Voltage
4. Start-up Force (%)
5. Max Forward Force (%)
6. Max Reverse Force (%)
7. Max Brake Force (%)
8. Initial Brake Force (%)
9. Drag Brake (%)
10. Drag Brake Rate Control (Level)
11. Neutral Range (%)
12. Start Mode/Punch (Level)
13. PWM Frequency
14. Freewheeling

Programmable Values

	1	2	3	4	5	6	7	8	9
1.	Fwd/ Brk	Fwd/ Rev/ Brk	Fwd/ Rev						
2.	Li-Po	NiMH							
3.	Off	Auto (low)	Auto (Med)	Auto (High)					
4.	0	2	4	6	8	10	12	14	16
5.	25	50	75	100					
6.	25	50	75	100					
7.	0	12	25	37	50	62	75	87	100
8.	0	6	12	18	25	31	37	43	50
9.	0	5	10	50	60	70	80	90	100
10.	1	2	3	4	5	6	7	8	9
11.	3	4	5	6	7	8	9	10	12
12.	1	2	3	4	5	6	7	8	9
13.	1K	2K	4K	8K	16K				
14.	On	Off							

Blacked out cells with white text represent the default settings.

Receiver Firmware Updates

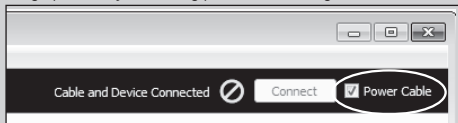
If firmware updates are made available, you can install the update yourself. An SPMA3065 programming cable and a PC is required for receiver updates. Go to the product page at SpektrumRC.com for update information and to register your receiver. Registration is required to download updates.

Update Process

1. Register your receiver and download the Spektrum programmer and the firmware update for the 2-in-1 (when available).
2. Install the Spektrum programmer on your PC and open the app. Connect the USB programming cable to your PC and allow it to install the drivers.

NOTICE: In the programmer app there is an option to power the receiver from the PC. Leave this box checked. **DO NOT connect a power source to the receiver at the same time as the USB cable.**

If the box in the programmer app is checked to power the receiver from the computer, and the USB cable is plugged into the receiver, and a power source is plugged into the receiver, there is a high probability of causing permanent damage to the PC.



Make sure this check-box is checked to power the receiver from the PC during the update.

3. With the vehicle and receiver powered off, plug the updater cable into the programming port on the 2-in-1. DO NOT turn on the vehicle or receiver when the USB cable is connected. The PC should connect with the receiver automatically.
4. Follow the on screen prompts in the to install the firmware file on the 2-in-1.
5. When the update is complete, unplug the updater cable from the receiver.

LED Indicators

Upon powering ON the ESC, the red LED will blink and the motor will emit a series of beeps to indicate its status.

The number of tones indicates (1) the ESC is in operation (2) the battery mode detected and (3) the ESC is in a ready-to-use state.

Feature	Red LED Status	Motor Sound
1. ESC is in operation	Rapid blinking	4 Changing tones
2. Ni-MH/Ni-CD Battery	1 Blink	1 Short tone
2S Li-Po Battery	2 Blinks	2 Short beeps
3S Li-Po Battery	3 Blinks	3 Short beeps
3. ESC ready no transmitter signal	Red blink repeating	

DURING OPERATION	LED STATUS
Stop	Green Solid
Forward partial throttle	Green Solid, Red Blinks
Full Throttle	Green and Red Solid
Reverse partial throttle	Green Solid, Red Blinks
Full Throttle	Green and Red Solid
Partial Brake	Green Solid, Red Blinks
Full Brake	Green and Red Solid
Battery Low Voltage or No Signal	Red Blink Repeating
Overheat	Red Double Blink Repeating
Over Current Protection	Red Triple Blink Repeating

Receiver Troubleshooting Guide

Problem	Possible Cause	Solution
The system will not connect	Your transmitter and receiver are too close together	Move transmitter 8 to 12 feet away from receiver
	You are near metal objects	Move to an area with less metal
	The receiver is bound to a different model memory	Make sure the correct model memory is active in your transmitter
	Your transmitter was placed into bind mode and is no longer bound to your receiver	Rebind your transmitter and receiver, and then re-calibrate
The receiver goes into failsafe a short distance away from the transmitter	Check for damage on the receiver antenna	Make sure your receiver antenna is protected and located as high as practical
		Replace the receiver or contact Horizon Product Support
The receiver stops responding during operation	Low receiver battery voltage. If the battery voltage is low, it may drop below 3.5V momentarily, causing the receiver to brown-out, then reconnect	Charge the receiver or vehicle battery. Spektrum receivers require at least 3.5V to operate
	Loose or damaged wires or connectors between battery and receiver	Check the wires and connection between the battery and receiver. Repair or replace wires and/or connectors

Telemetry Troubleshooting Guide

Problem	Possible Cause	Solution
No telemetry options are available in the transmitter	You are using a transmitter that does not include telemetry features	Consider changing to a transmitter which includes telemetry
	Your transmitter is in 5.5ms mode	Select a different DSMR protocol, rebind and then recalibrate
The telemetry screen is blank	The telemetry screen needs to be configured in the transmitter telemetry menu	Configure the telemetry screen

ESC Troubleshooting Guide

Problem	Possible Cause	Solution
ESC ON - No motor function, audible tone or LED	Battery/connection issue	Recharge/replace battery. Secure all connections
	Damaged ESC/switch	Repair/replace ESC switch/ESC
	Damaged motor	Repair/replace
Motor-Stops and LED blinks	Low voltage protection	When the ESC LED blinks, recharge/replace battery
	Overheat protection	When the LED blinks, let motor/ESC cool, change set up or gearing to avoid overheating
Motor-Accelerates irregularly	Battery issue	Repair damaged wiring/replace battery
	Incorrect gearing	Adjust/replace gearing
	Worn or damaged motor	Repair/replace motor

Motor- Does not turn continuously in response to throttle	ESC/motor damaged	Repair/replace wiring or motor/ESC
Motor- Slows but will not stop	Incorrect transmitter/ESC calibration	Adjust throttle travel/other throttle settings on the transmitter/ESC. Repeat the ESC Calibration Procedure
Steering servo- Operates; motor does not run	Damaged motor	Test the motor apart from the vehicle system, repair/replace motor as needed
	Incorrect transmitter/ESC calibration	Adjust throttle travel/other throttle settings on the transmitter/ESC. Repeat the ESC Calibration Procedure
Steering/ motor- not functioning	Low battery voltage	Recharge/replace
	Wrong model memory selected on transmitter	Select correct model settings on your transmitter, refer to transmitter and/or receiver manual
	Receiver not bound to transmitter	Bind transmitter to receiver, refer to transmitter and/or receiver manual
Vehicle- Does not operate at full speed	Battery issue	Recharge/replace
	Incorrect transmitter/ESC calibration	Adjust throttle travel/other throttle settings on the transmitter/ESC. Repeat the ESC Calibration Procedure

1-YEAR LIMITED WARRANTY

What this Warranty Covers - Horizon Hobby, LLC, (Horizon) warrants to the original purchaser that the product purchased (the "Product") will be free from defects in materials and workmanship for a period of 1 year from the date of purchase.

What is Not Covered

This warranty is not transferable and does not cover (i) cosmetic damage, (ii) damage due to acts of God, accident, misuse, abuse, negligence, commercial use, or due to improper use, installation, operation or maintenance, (iii) modification of or to any part of the Product, (iv) attempted service by anyone other than a Horizon Hobby authorized service center, (v) Product not purchased from an authorized Horizon dealer, (vi) Product not compliant with applicable technical regulations, or (vii) use that violates any applicable laws, rules, or regulations.

OTHER THAN THE EXPRESS WARRANTY ABOVE, HORIZON MAKES NO OTHER WARRANTY OR REPRESENTATION, AND HEREBY DISCLAIMS ANY AND ALL IMPLIED WARRANTIES, INCLUDING, WITHOUT LIMITATION, THE IMPLIED WARRANTIES OF NON-INFRINGEMENT, MERCHANTABILITY AND FITNESS FOR A PARTICULAR PURPOSE. THE PURCHASER ACKNOWLEDGES THAT THEY ALONE HAVE DETERMINED THAT THE PRODUCT WILL SUITABLY MEET THE REQUIREMENTS OF THE PURCHASER'S INTENDED USE.

Purchaser's Remedy

Horizon's sole obligation and purchaser's sole and exclusive remedy shall be that Horizon will, at its option, either (i) service, or (ii) replace, any Product determined by Horizon to be defective. Horizon reserves the right to inspect any and all Product(s) involved in a warranty claim. Service or replacement decisions are at the sole discretion of Horizon. Proof of purchase is required for all warranty claims. SERVICE OR REPLACEMENT AS PROVIDED UNDER THIS WARRANTY IS THE PURCHASER'S SOLE AND EXCLUSIVE REMEDY.

Limitation of Liability

HORIZON SHALL NOT BE LIABLE FOR SPECIAL, INDIRECT, INCIDENTAL OR CONSEQUENTIAL DAMAGES, LOSS OF PROFITS OR PRODUCTION OR COMMERCIAL LOSS IN ANY WAY, REGARDLESS OF WHETHER SUCH CLAIM IS BASED IN CONTRACT, WARRANTY, TORT, NEGLIGENCE, STRICT LIABILITY OR ANY OTHER THEORY OF LIABILITY, EVEN IF HORIZON HAS BEEN ADVISED OF THE POSSIBILITY OF SUCH DAMAGES. Further, in no event shall the liability of Horizon exceed the individual price of the Product on which liability is asserted. As Horizon has no control over use, setup, final assembly, modification or misuse, no liability shall be assumed nor accepted for any resulting damage or injury. By the act of use, setup or assembly, the user accepts all resulting liability. If you as the purchaser or user are not prepared to accept the liability associated with the use of the Product, purchaser is advised to return the Product immediately in new and unused condition to the place of purchase.

Law

These terms are governed by Illinois law (without regard to conflict of law principals). This warranty gives you specific legal rights, and you may also have other rights which vary from state to state. Horizon reserves the right to change or modify this warranty at any time without notice.

WARRANTY SERVICES

Questions, Assistance, and Services

Your local hobby store and/or place of purchase cannot provide warranty support or service. Once assembly, setup or use of the Product has been started, you must contact your local distributor or Horizon directly. This will enable Horizon to better answer your questions and service you in the event that you may need any assistance. For questions or assistance, please visit our website at www.horizonhobby.com, submit a Product Support Inquiry, or call the toll free telephone number referenced in the Warranty and Service Contact Information section to speak with a Product Support representative.

Inspection or Services

If this Product needs to be inspected or serviced and is compliant in the country you live and use the Product in, please use the Horizon Online Service Request submission process found on our website or call Horizon to obtain a Return Merchandise Authorization (RMA) number. Pack the Product securely using a shipping carton. Please note that original boxes may be included, but are not designed to withstand the rigors of shipping without additional protection. Ship via a carrier that provides tracking and insurance for lost or damaged parcels, as Horizon is not responsible for merchandise until it arrives and is accepted at our facility. An Online Service Request is available at http://www.horizonhobby.com/content/service-center_render-service-center. If you do not have internet access, please contact Horizon Product Support to obtain a RMA number along with instructions for submitting your product for service. When calling Horizon, you will be asked to provide your complete name, street address, email address and phone number where you can be reached during business hours. When sending product into Horizon, please include your RMA number, a list of the included items, and a brief summary of the problem. A copy of your original sales receipt must be included for warranty consideration. Be sure your name, address, and RMA number are clearly written on the outside of the shipping carton.

NOTICE: Do not ship LiPo batteries to Horizon. If you have any issue with a LiPo battery, please contact the appropriate Horizon Product Support office.

Warranty Requirements

For Warranty consideration, you must include your original sales receipt verifying the proof-of-purchase date. Provided warranty conditions have been met, your Product will be serviced or replaced free of charge. Service or replacement decisions are at the sole discretion of Horizon.

Non-Warranty Service

Should your service not be covered by warranty, service will be completed and payment will be required without notification or estimate of the expense unless the expense exceeds 50% of the retail purchase cost. By submitting the item for service you are agreeing to payment of the service without notification. Service estimates are available upon request. You must include this request with your item submitted for service. Non-warranty service estimates will be billed a minimum of ½ hour of labor. In addition you will be billed for return freight. Horizon accepts money orders and cashier's checks, as well as Visa, MasterCard, American Express, and Discover cards. By submitting any item to Horizon for service, you are agreeing to Horizon's Terms and Conditions found on our website http://www.horizonhobby.com/content/service-center_render-service-center.

ATTENTION: Horizon service is limited to Product compliant in the country of use and ownership. If received, a non-compliant Product will not be serviced. Further, the sender will be responsible for arranging return shipment of the un-serviced Product, through a carrier of the sender's choice and at the sender's expense. Horizon will hold non-compliant Product for a period of 60 days from notification, after which it will be discarded.

10/15

Warranty and Service Contact Information

Country of Purchase	Horizon Hobby	Contact Information	Address
United States of America	Horizon Service Center (Repairs and Repair Requests)	servicecenter.horizonhobby.com/RequestForm/	2904 Research Rd. Champaign, Illinois, 61822 USA
	Horizon Product Support (Product Technical Assistance)	productsupport@horizonhobby.com.	
		877-504-0233	
Sales	websales@horizonhobby.com	800-338-4639	


FCC Information

Supplier's Declaration of Conformity

SPMXSER1025

Contains FCC ID: BRWWAC01T

FC This device complies with part 15 of the FCC Rules. Operation is subject to the following two conditions: (1) This device may not cause harmful interference, and (2) this device must accept any interference received, including interference that may cause undesired operation.

 **CAUTION:** changes or modifications not expressly approved by the party responsible for compliance could void the user's authority to operate the equipment.

NOTE: This equipment has been tested and found to comply with the limits for a Class B digital device, pursuant to part 15 of the FCC Rules. These limits are designed to provide reasonable protection against harmful interference in a residential installation. This equipment generates, uses and can radiate radio frequency energy and, if not installed and used in accordance with the instructions, may cause harmful

interference to radio communications. However, there is no guarantee that interference will not occur in a particular installation. If this equipment does cause harmful interference to radio or television reception, which can be determined by turning the equipment off and on, the user is encouraged to try to correct the interference by one or more of the following measures:

- Reorient or relocate the receiving antenna.
- Increase the separation between the equipment and receiver.
- Connect the equipment into an outlet on a circuit different from that to which the receiver is connected.
- Consult the dealer or an experienced radio/TV technician for help.

Horizon Hobby, LLC

2904 Research Rd.,

Champaign, IL 61822

Email: compliance@horizonhobby.com

Web: HorizonHobby.com

Compliance Information for Canada

CAN ICES-3 (B)/NMB-3(B)

Contains IC: 6157A-WAC01T

This device complies with Industry Canada licence-exempt RSS standard(s).

Operation is subject to the following two conditions:

- (1) this device may not cause interference,
- (2) this device must accept any interference, including interference that may cause undesired operation of the device.

Compliance Information for the European Union



EU Compliance Statement: SPMXSER1025

Hereby, Horizon Hobby, LLC declares that the device is in compliance with the following:

EU Radio Equipment Directive 2014/53/EU;

RoHS 2 Directive 2011/65/EU;

RoHS 3 Directive - Amending 2011/65/EU Annex II
2015/863.

The full text of the EU declaration of conformity is available at the following internet address: <https://www.horizonhobby.com/content/support-render-compliance>.

Frequency Band: 2402 - 2478 MHz

Max EIRP: 1.43dBm

Instructions for disposal of WEEE by users in the European Union



This product must not be disposed of with other waste. Instead, it is the user's responsibility to dispose of their waste equipment by handing it over to a designated collections point for the recycling of waste electrical and electronic equipment. The separate collection

and recycling of your waste equipment at the time of disposal will help to conserve natural resources and make sure that it is recycled in a manner that protects human health and the environment. For more information about where you can drop off your waste equipment for recycling, please contact your local city office, your household waste disposal service or where you purchased the product.



© 2022 Horizon Hobby, LLC. Firma, the Firma Logo, IC3, EC3, DSM2, DSMR, the Smart Technology logo, and the Horizon Hobby logo are trademarks or registered trademarks of Horizon Hobby, LLC.

The Spektrum trademark is used with permission of Bachmann Industries, Inc.

All other trademarks, service marks and logos are property of their respective owners.

US 9,930,567. US 10,419,970.

SPMXSER1025

Created 10/2022

172164