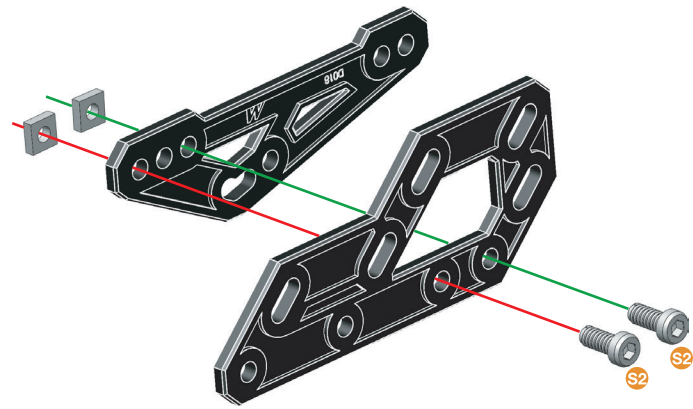
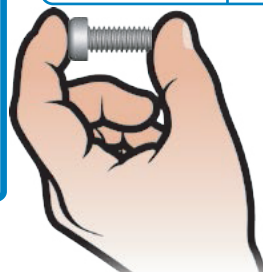
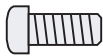
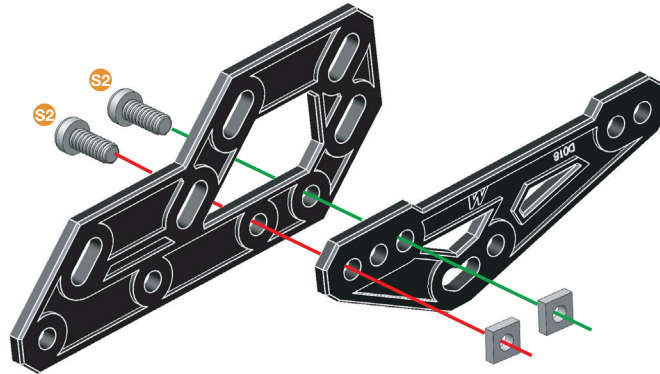
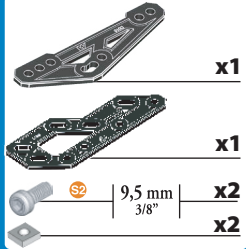


1

- x1
- x1
- | 9,5 mm | x2
3/8"
- x2

	S2	1:1
--	----	-----



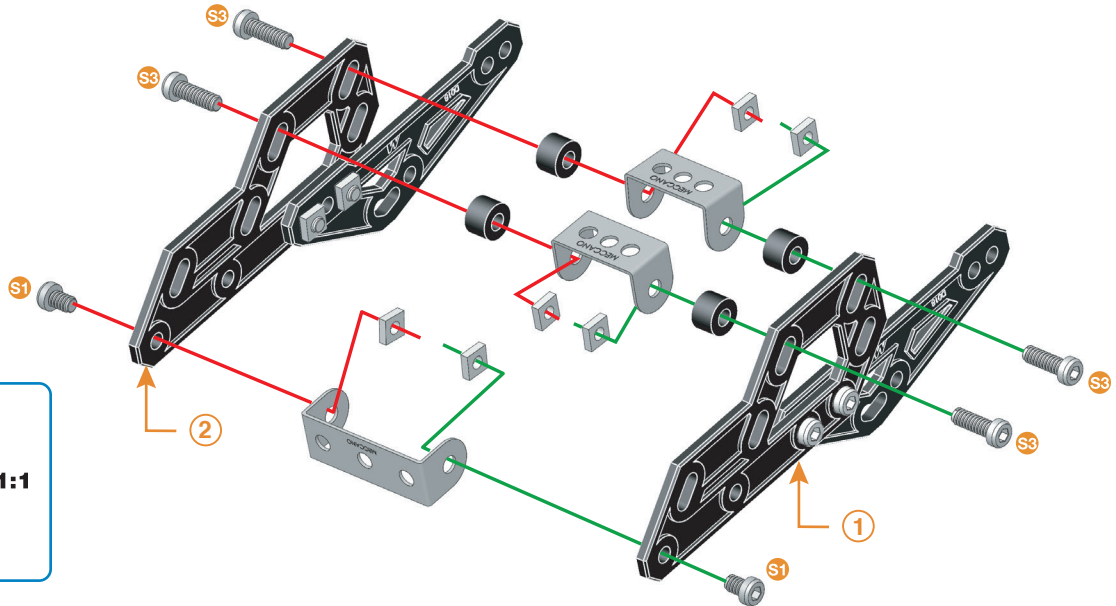
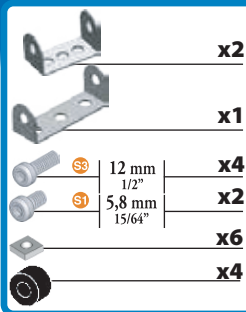
2

S2

1:1

3

① + ② +



S1



S3



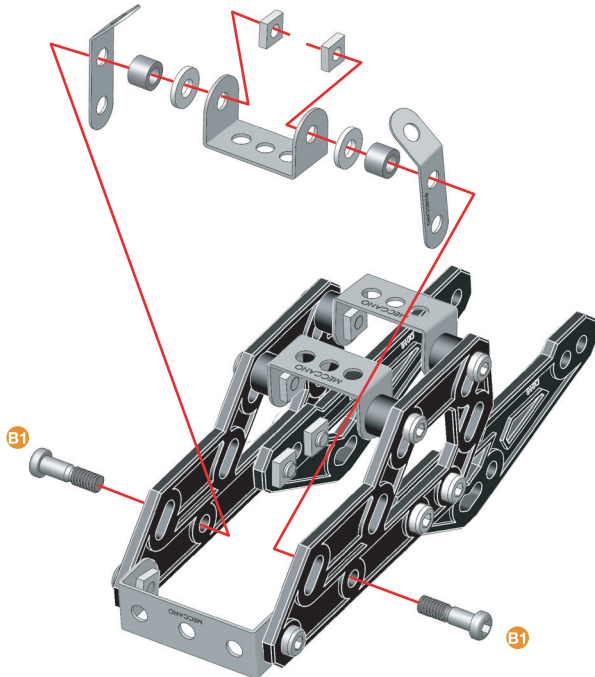
A238

1:1

4

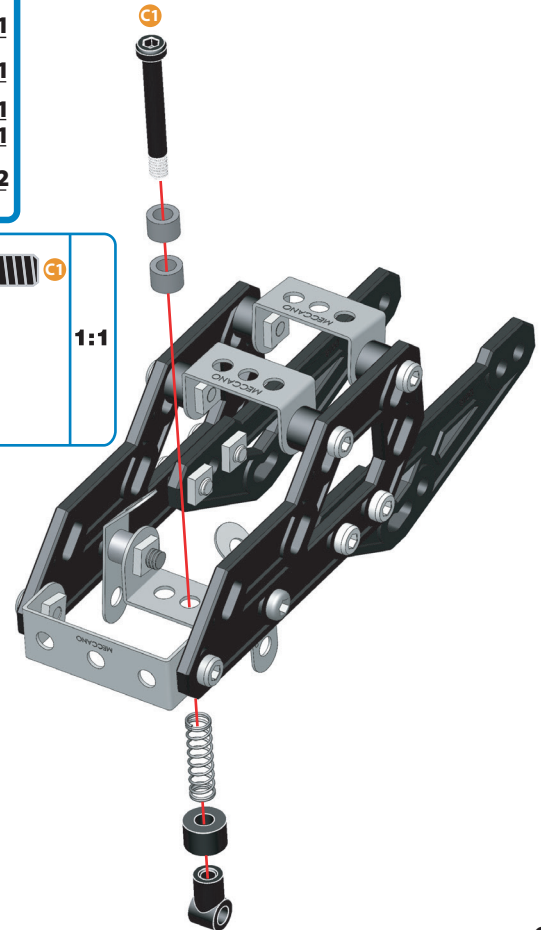
	x1
	x2
	x2
	x2
	x2
	x2

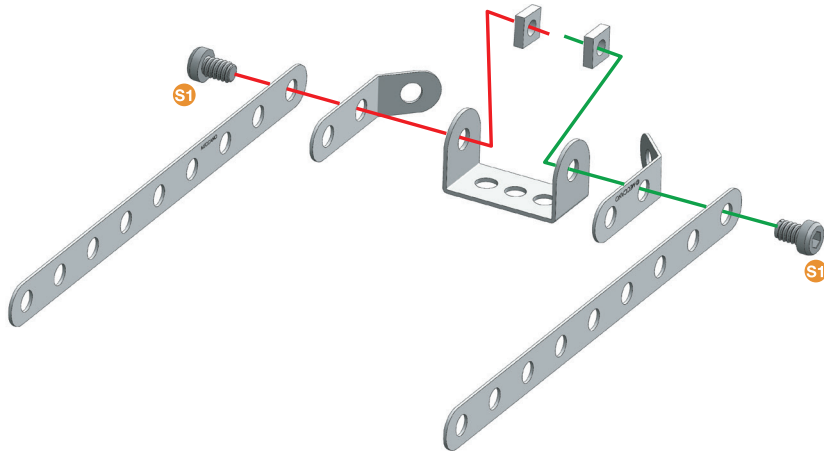
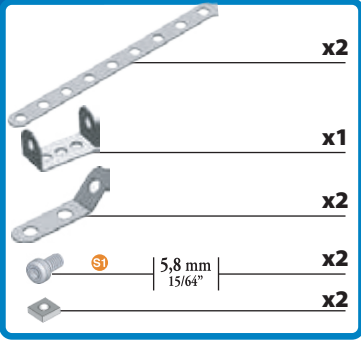
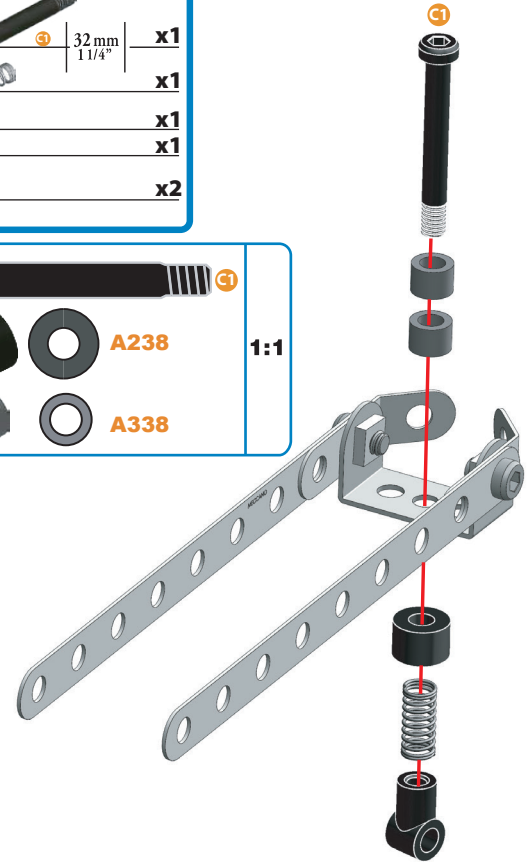
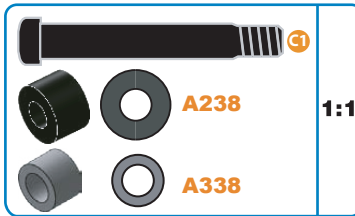
	B1	1:1
	A338	

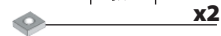
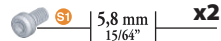
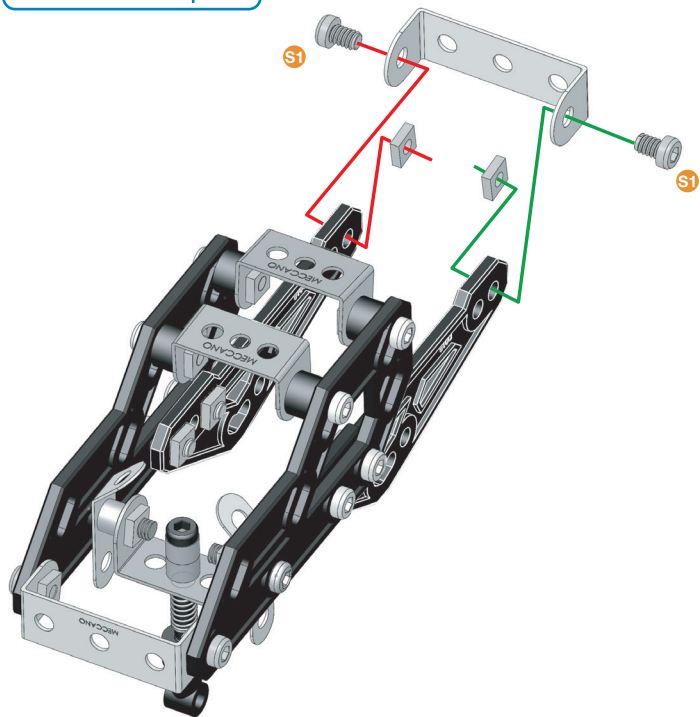
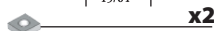
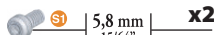
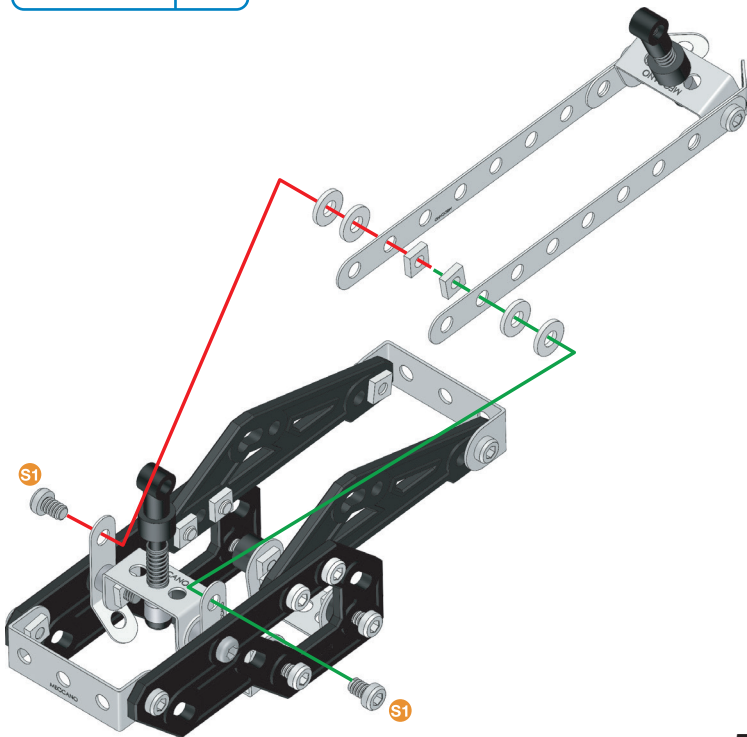
**5**

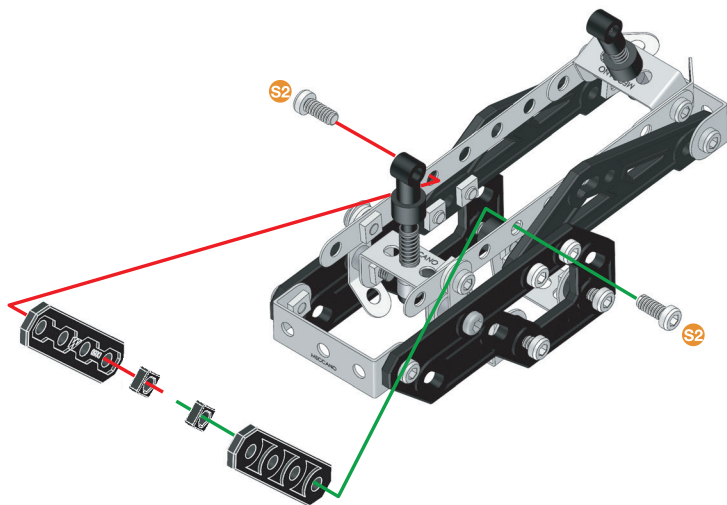
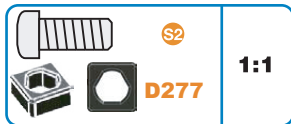
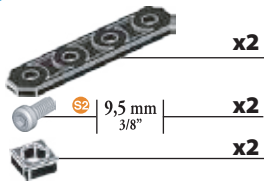
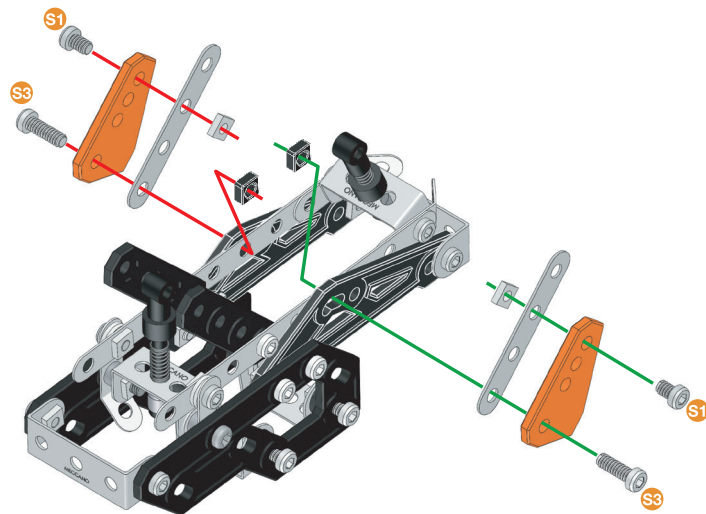
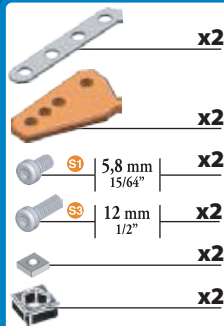
	x1
	x1
	x1
	x1
	x2

	C1	1:1
	A238	
	A338	



6**7**

8**5+****S1****1:1****9****7+ 8+****S1****1:1**

10**11**

12



x2



x2



x2



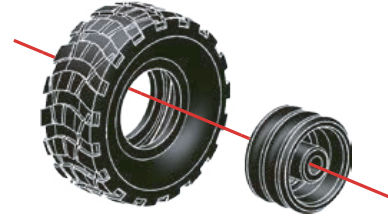
13



x2



x2

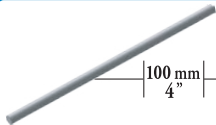





x2



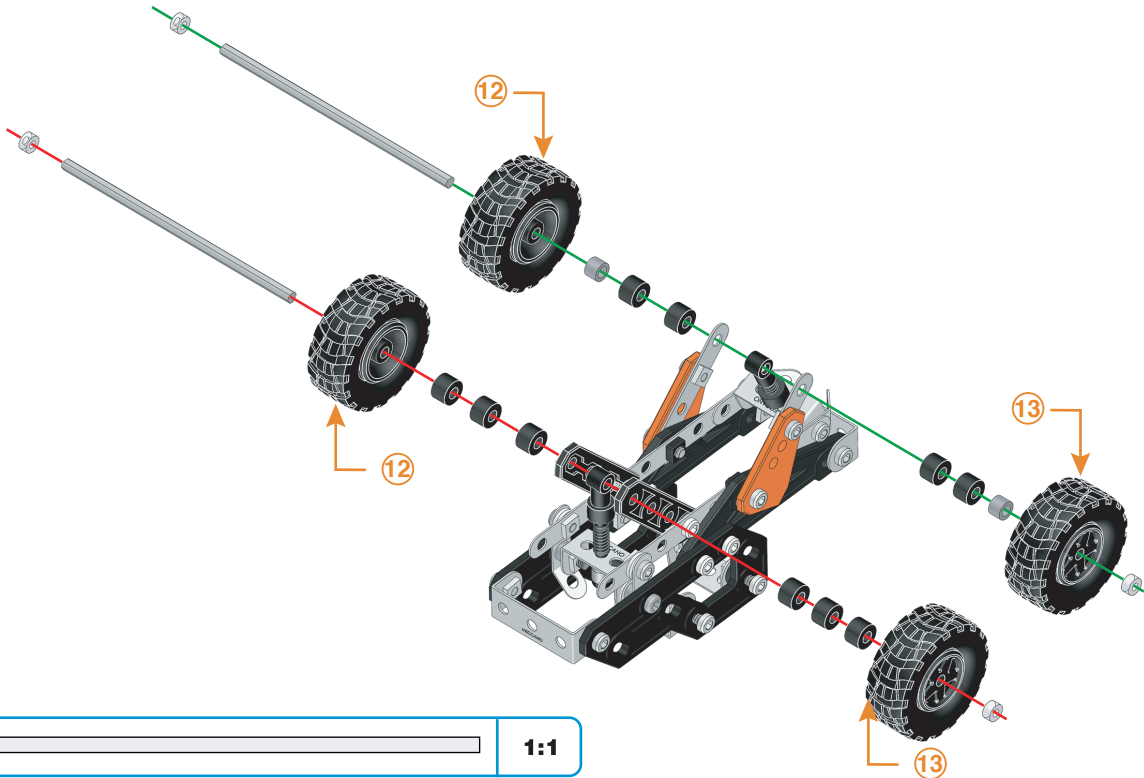
14

⑪ + ⑫ + ⑬ +

-  100 mm
4" x2
-  x4
-  x10
-  x2




-   A338
-   A238

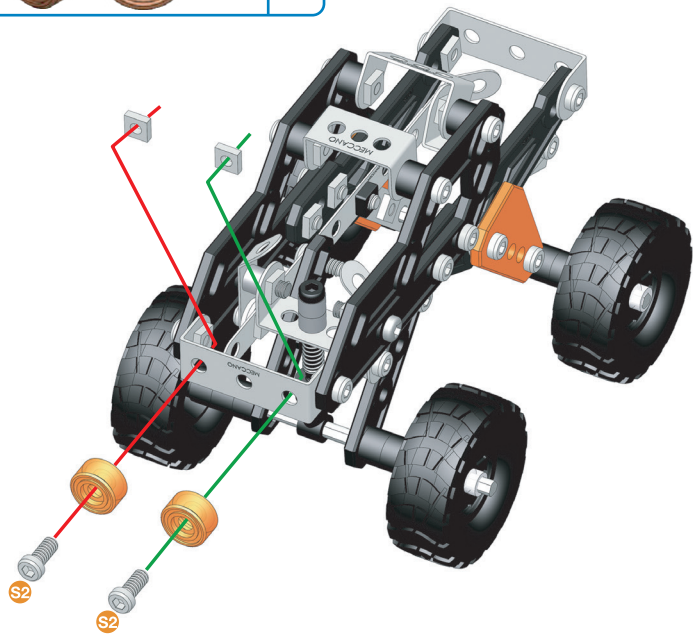
1:1







1:1

15

-  9,5 mm | 3/8" | **x2**
-  **x2**
-  **x2**



16

-  **x1**
-  **x1**
-  5,8 mm | 15/64" | **x2**
-  **x2**

