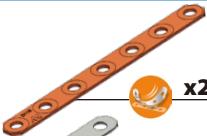



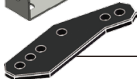



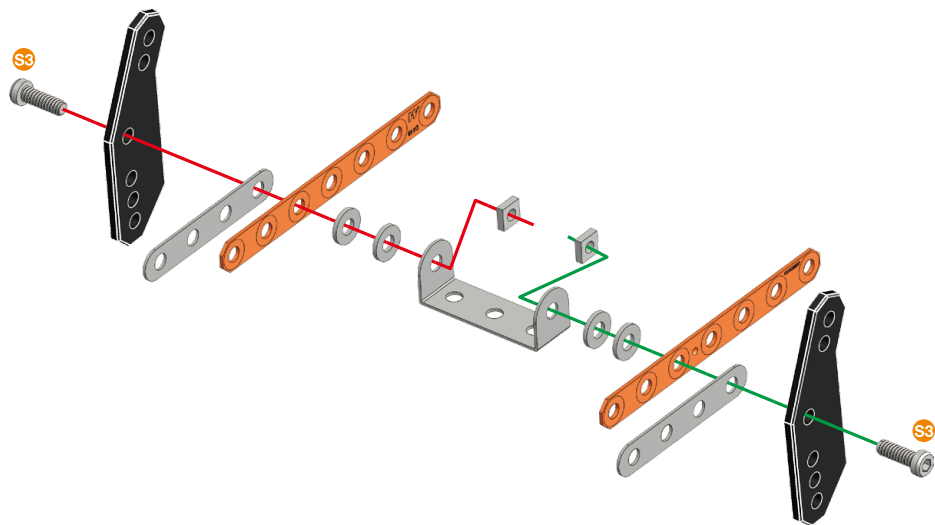
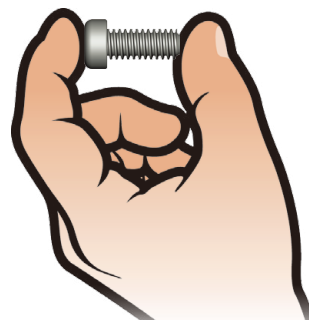




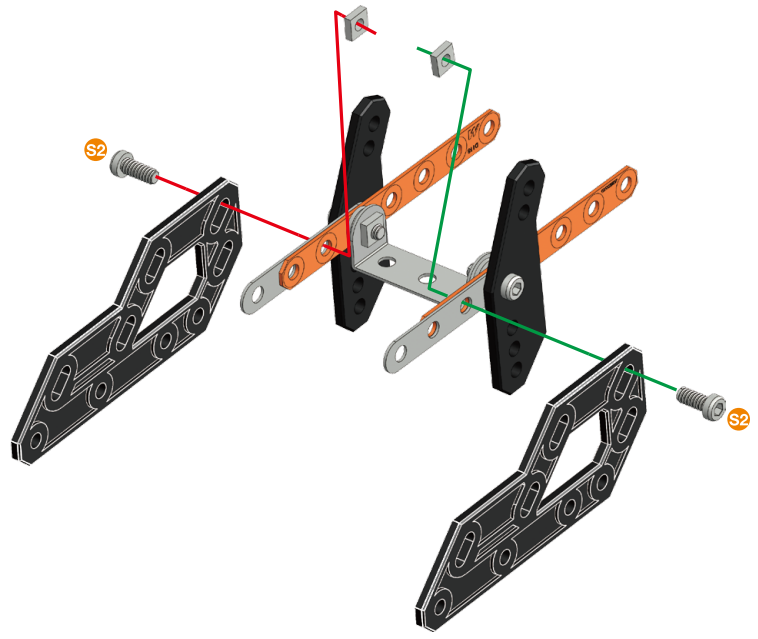
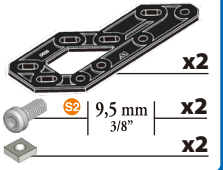
**1**

-   **x2**
-  **x2**
-  **x1**
-  **x2**
-  | 12 mm | **x2**
-  **x2**
-  **x4**

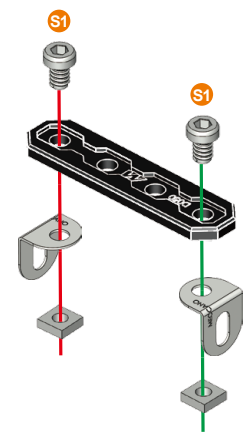
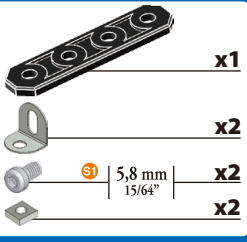


**1**

2



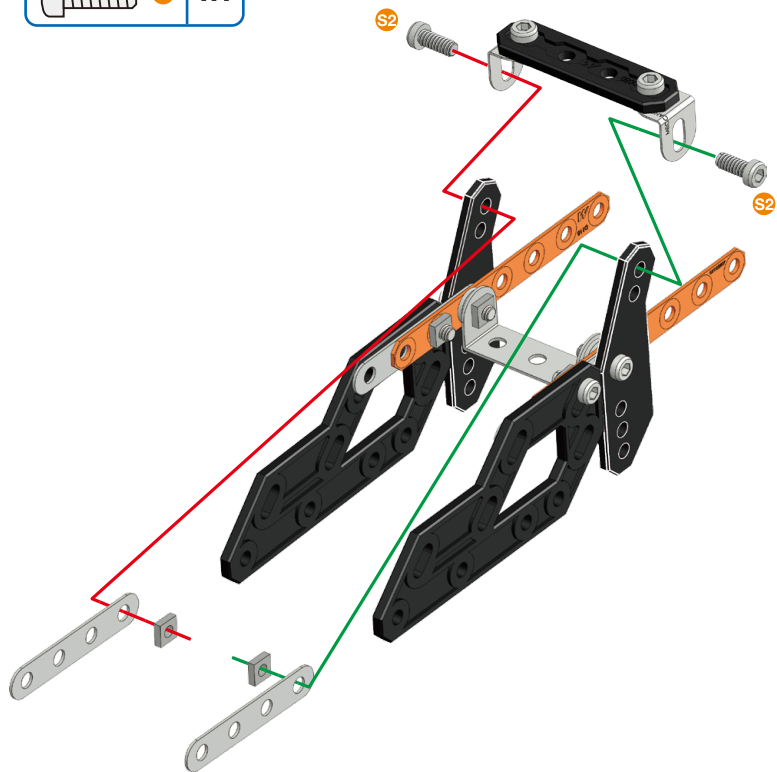
3



**4****② + ③ +**

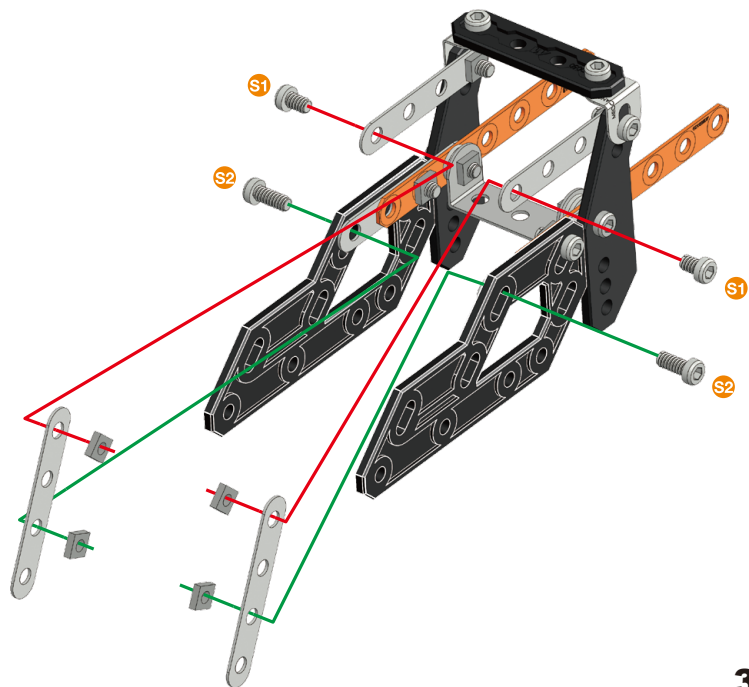
	<b>x2</b>
	<b>x2</b>
	<b>x2</b>

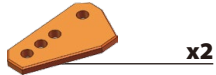
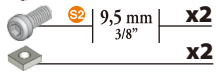
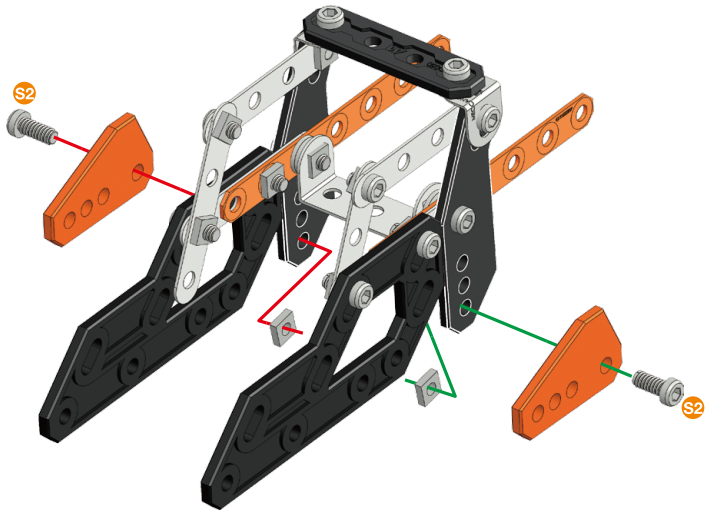
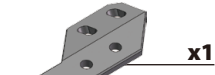
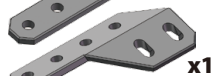
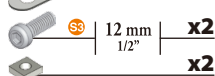
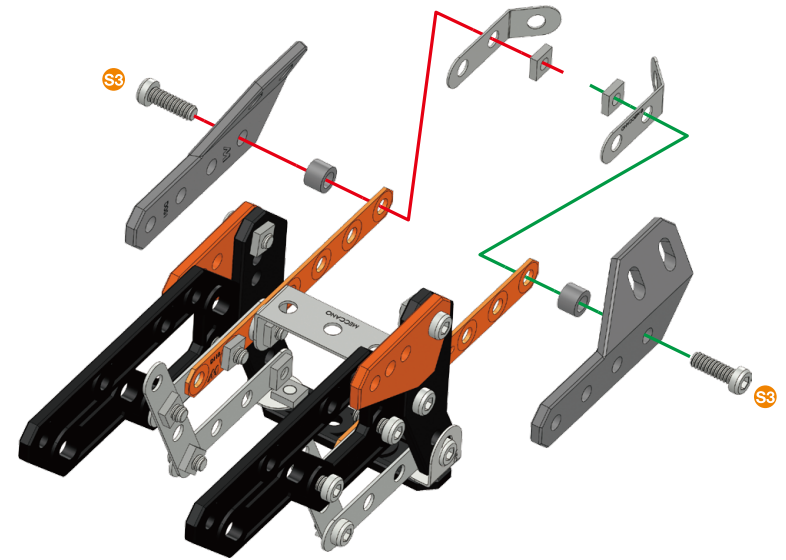
	<b>S2</b>	<b>1:1</b>
--	-----------	------------

**5**

	<b>x2</b>
	<b>x2</b>
	<b>x2</b>
	<b>x4</b>

	<b>S2</b>	<b>1:1</b>
	<b>S1</b>	



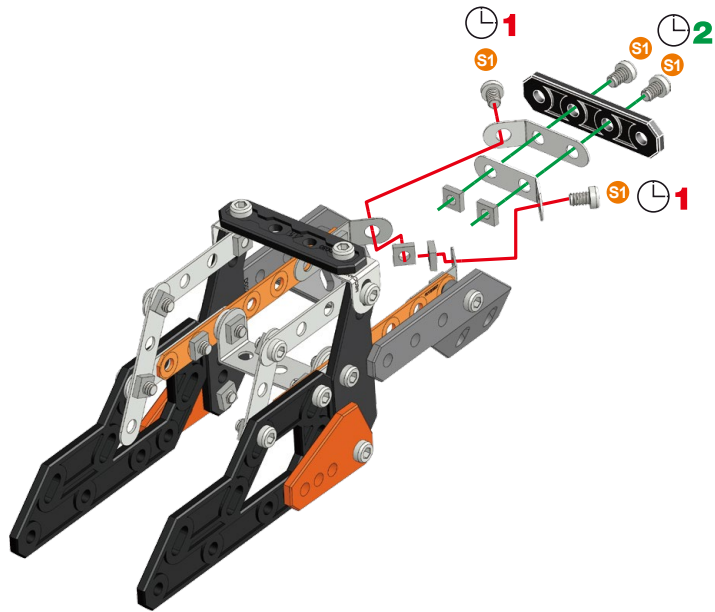
**6****x2**9,5 mm  
3/8"**x2****1:1****7****x1****x1****x2**12 mm  
1/2"**x2****x2****x2****S3****1:1****A338**

8

	x1
	x2
	x4
	x4



	1:1
--	-----

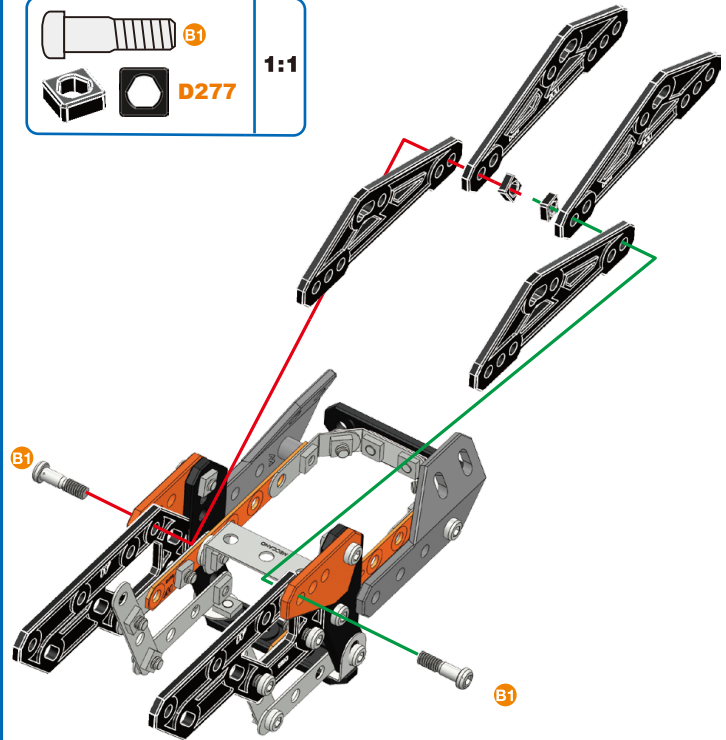


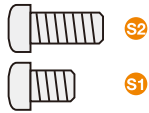
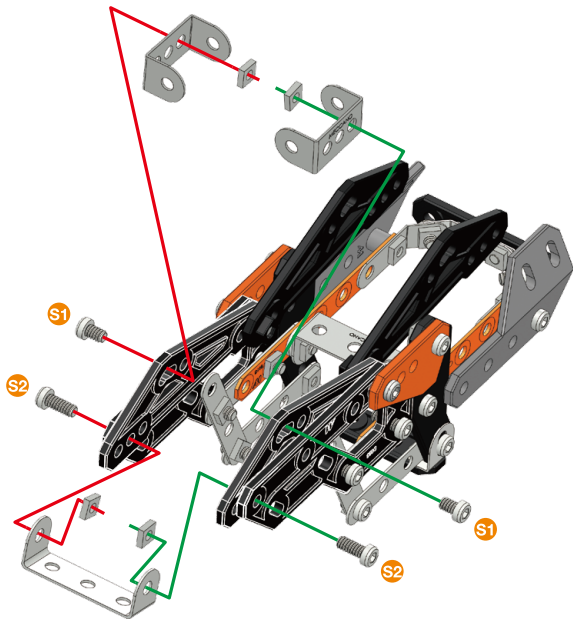
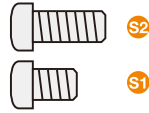
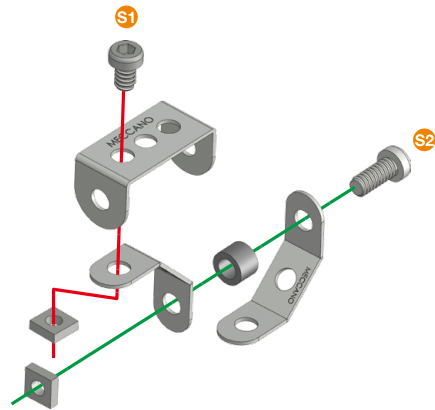
9

	x4
	x2
	x2



	1:1

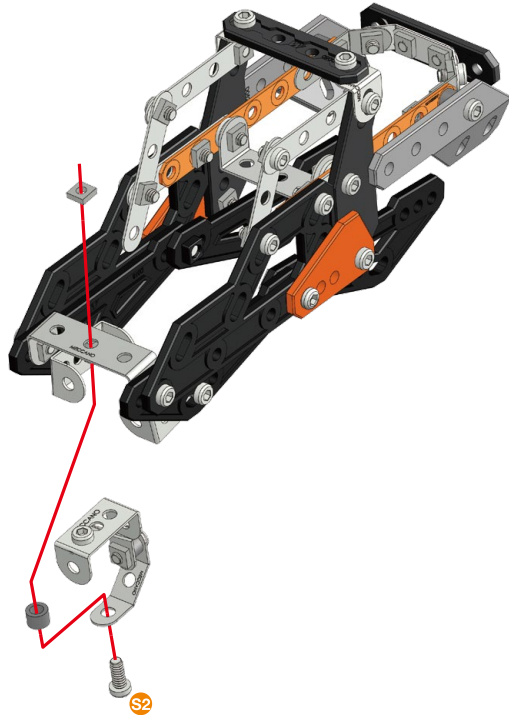





**10****x1****x2****x2****x2****x4****S2****S1****1:1****11****x2****x1****5,8 mm****15/64"****x1****9,5 mm****3/8"****x1****x2****x1****S2****S1****1:1****A338**

**12****(10) + (11) +**

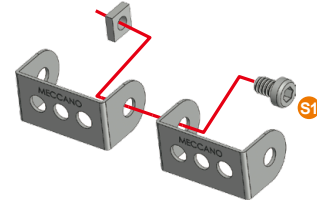
	9,5 mm 3/8"	<b>x1</b>
		<b>x1</b>
		<b>x1</b>









	<b>S2</b>	
	<b>A338</b>	







**1:1****13**

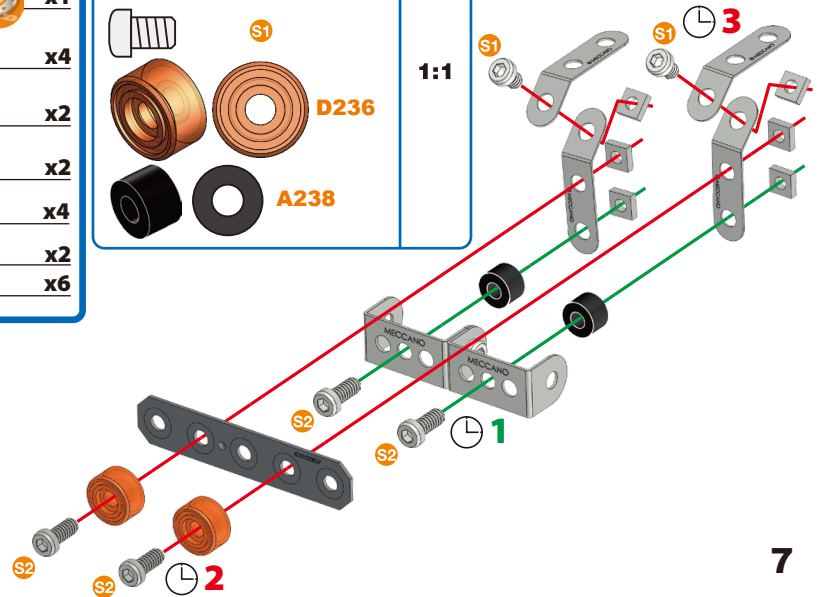
		<b>x2</b>
	5,8 mm 15/64"	<b>x1</b>
		<b>x1</b>

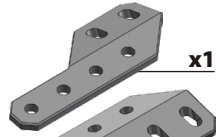
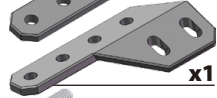
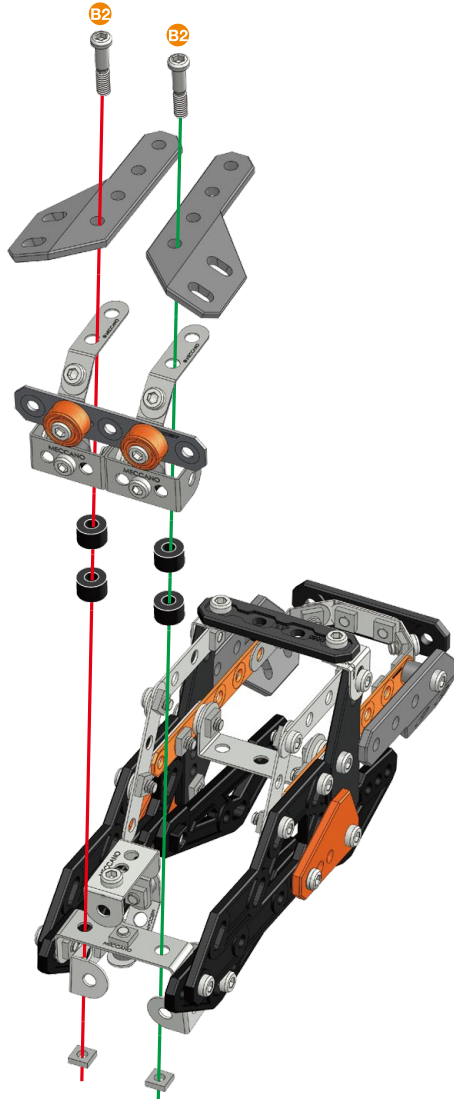
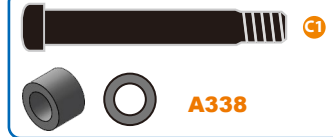
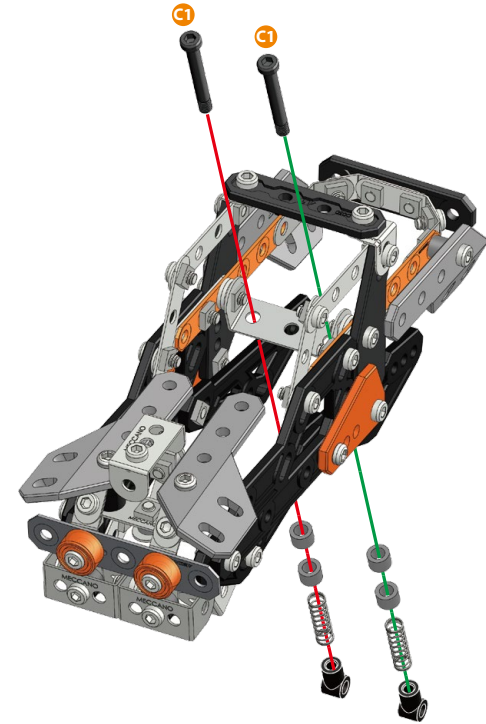
	<b>S1</b>	<b>1:1</b>
---	-----------	------------

**14**

		<b>x1</b>
		<b>x4</b>
		<b>x2</b>
		<b>x2</b>
	9,5 mm 3/8"	<b>x4</b>
	5,8 mm 15/64"	<b>x2</b>
		<b>x6</b>

	<b>S2</b>	
	<b>S1</b>	
	<b>D236</b>	
		
	<b>A238</b>	
		

**1:1**

**15****(12) + (14) +****x1****x1****B2** 19 mm **x2**  
3/4"**x2****x4****B2****A238****1:1****16****C1** 32 mm **x2**  
1 1/4"**x2****x4****x2****C1****A338****1:1**



17



x2



x2



x2



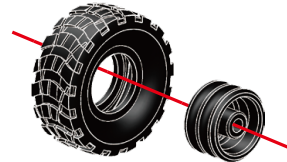
18



x2



x2



x2

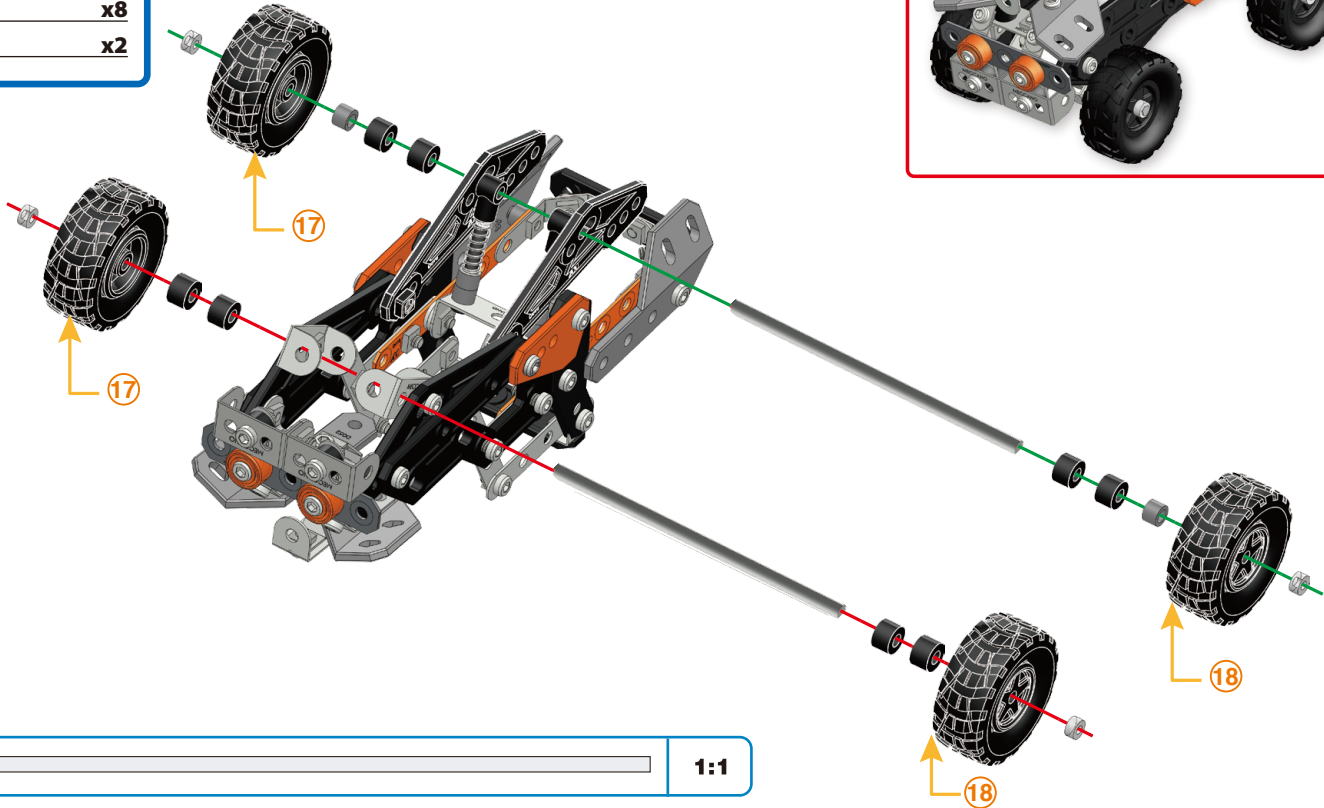


19

16 + 17 + 18 +

	100 mm 4	x2
		x4
		x8
		x2

		A238	1:1
		A338	



	100 mm 4	x2
--	-------------	----

1:1