


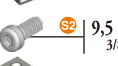

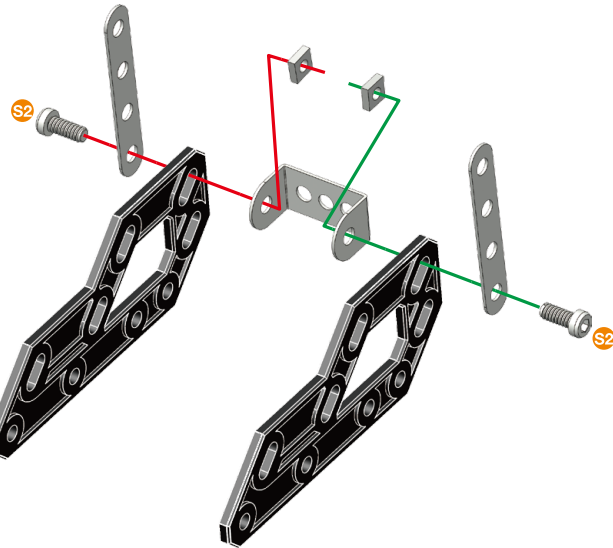


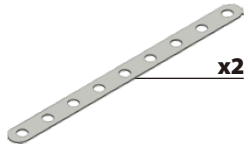






1

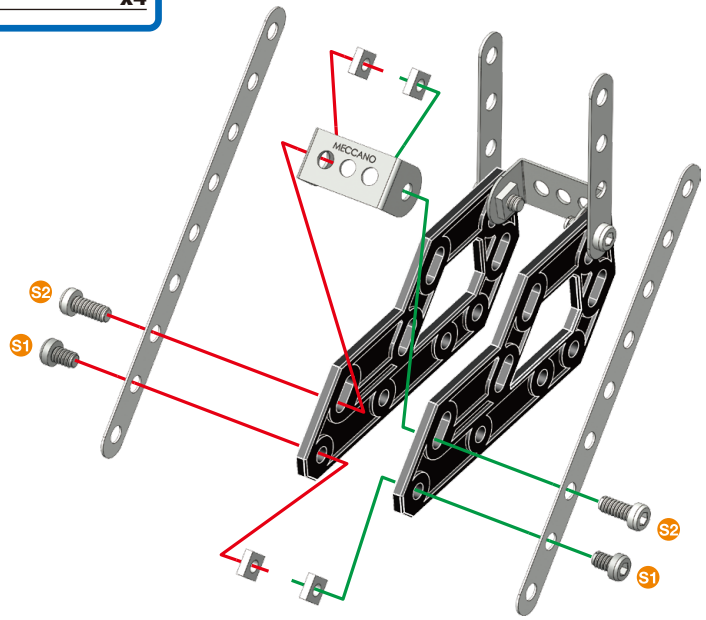
-  x2
-  x2
-  x1
-  $9,5 \text{ mm}$ $\frac{3}{8}''$ x2
-  x2





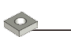

2

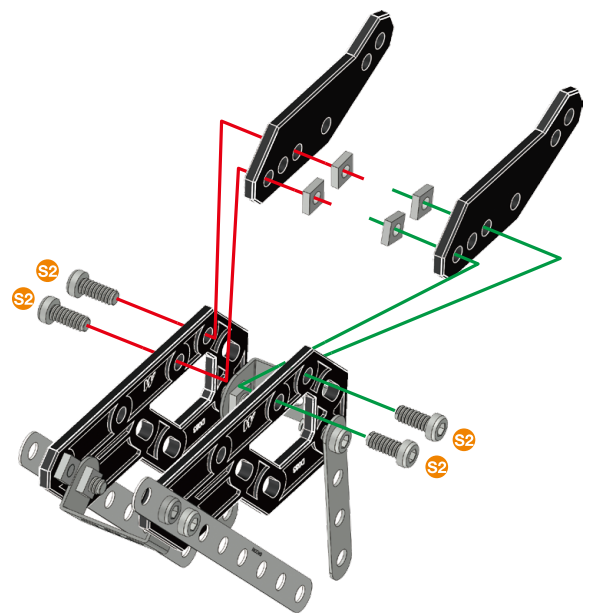
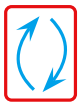
-  **x2**
-  **x1**
-  9,5 mm | 3/8" **x2**
-  5,8 mm | 15/64" **x2**
-  **x4**

- | | | |
|-----------------------------------------------------------------------------------|----|------------|
|  | S2 | 1:1 |
|  | S1 | |







3

-  **x2**
 -  9,5 mm | 3/8" **x4**
 -  **x4**
- | | | |
|-------------------------------------------------------------------------------------|----|------------|
|  | S2 | 1:1 |
|-------------------------------------------------------------------------------------|----|------------|

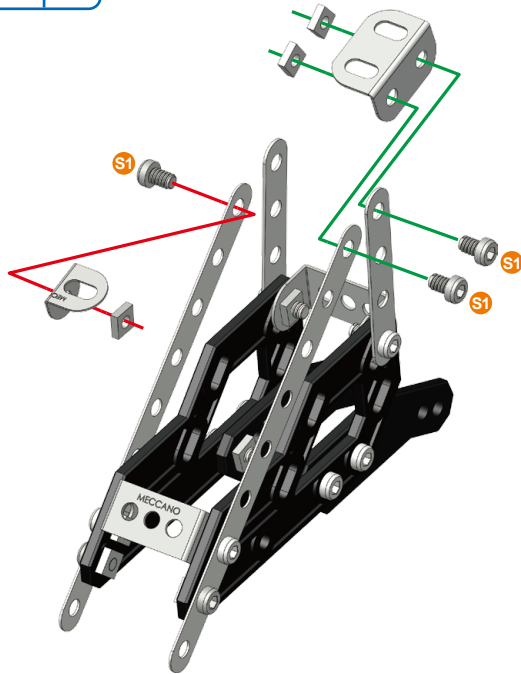



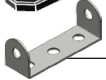


4

	x1
	x1
 S1 5,8 mm 15/64"	x3
	x3

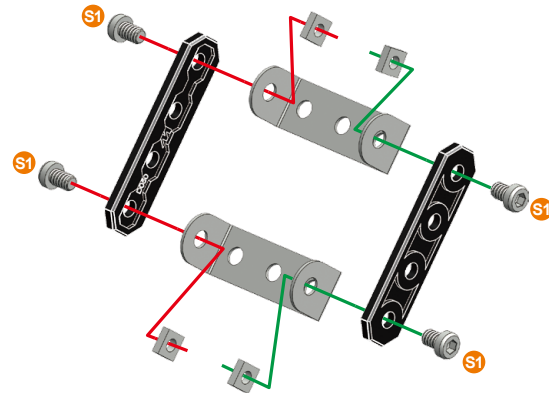


 S1	1:1
---------------------------------------------------------------------------------------------	------------

**5**

	x2
	x2
 S1 5,8 mm 15/64"	x4
	x4

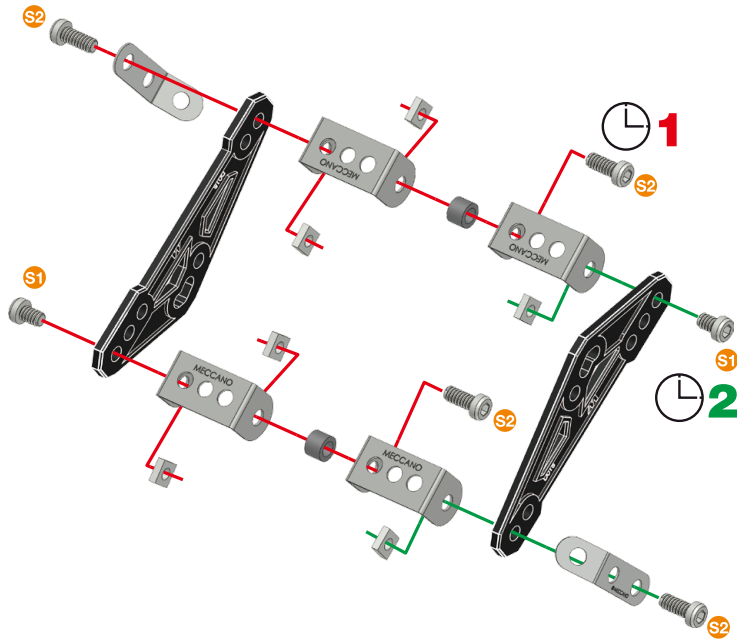
 S1	1:1
-----------------------------------------------------------------------------------------------	------------



6

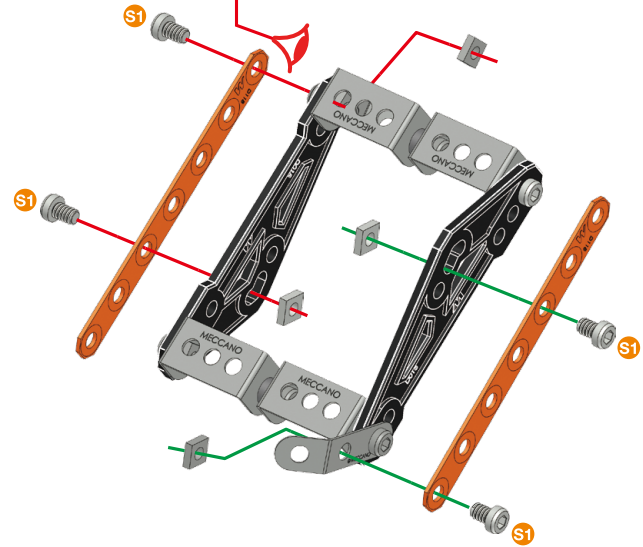
	x4
	x2
	x4
	x2
	x2
	x6

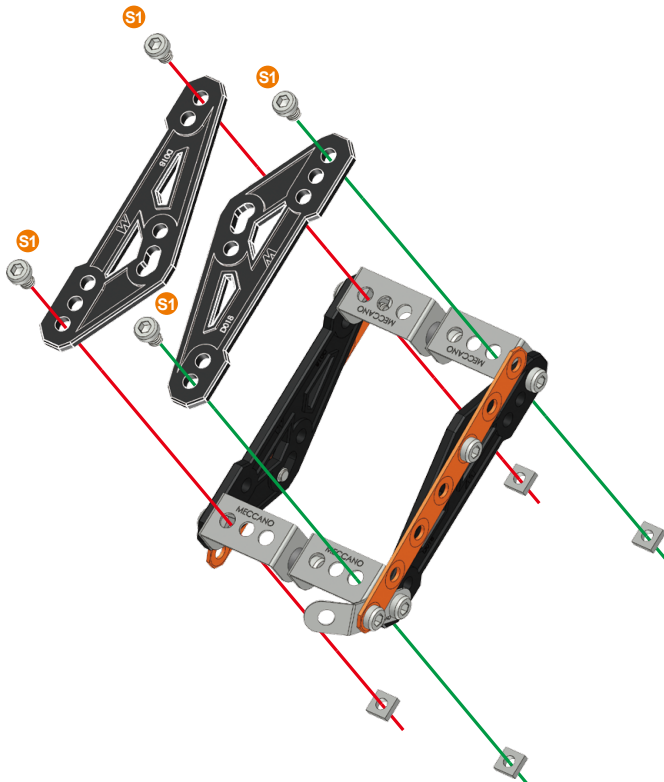
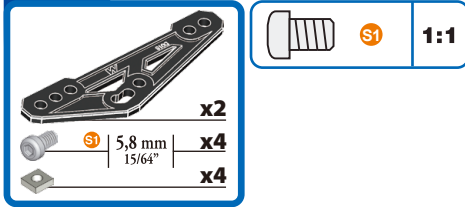
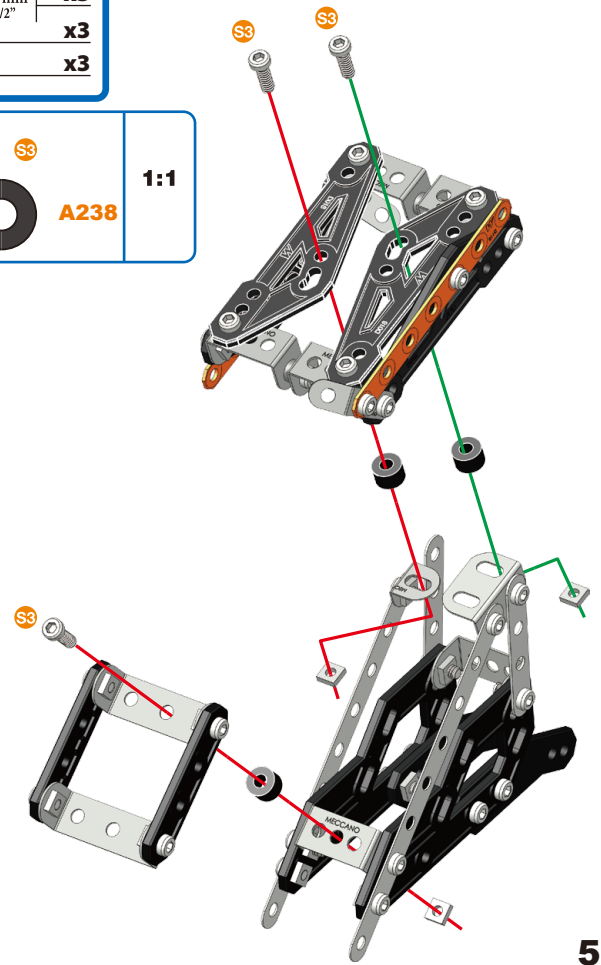
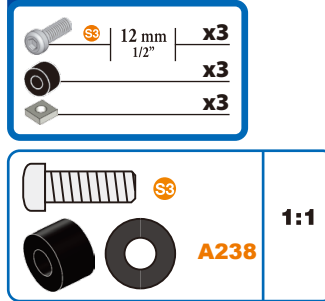
	S2	1:1
	S1	
	A338	

**7**

	x2
	x4
	x4

	S1	1:1
--	-----------	------------



8**9****4 + 5 + 8 +**

10



x2



x2



x2



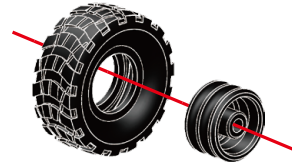
11



x2



x2



x2



12

(9) + (10) + (11) +

