








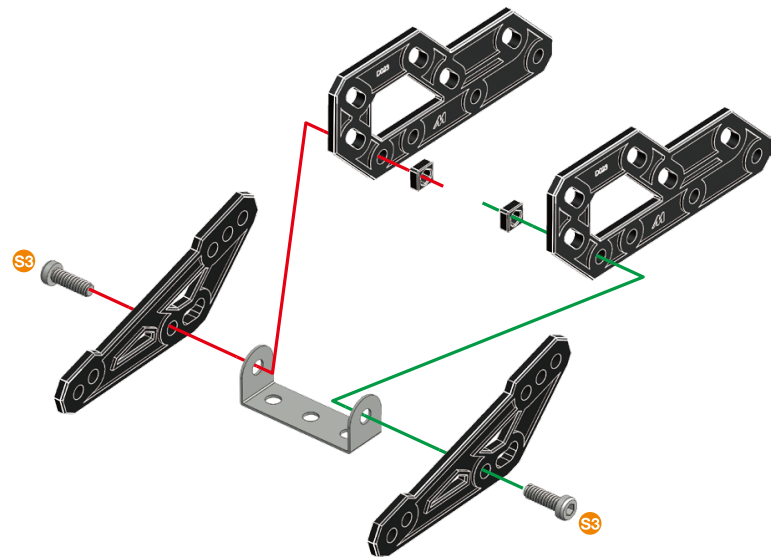
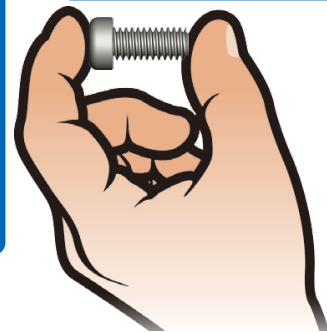







1

-  x2
-  x2
-  x1
-   12 mm | x2
-  x2

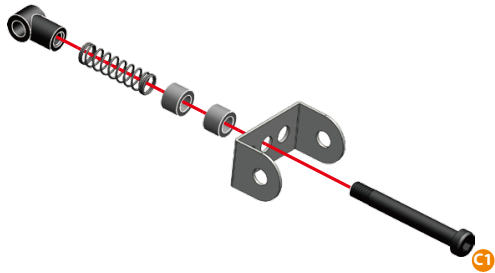
- | | | |
|---|---|-----|
|  |  | 1:1 |
|  |  | |



2





-  32 mm | 1 1/4" | x1
-  x1
-  x1
-  x2
-  x1

-  1:1
-  A338

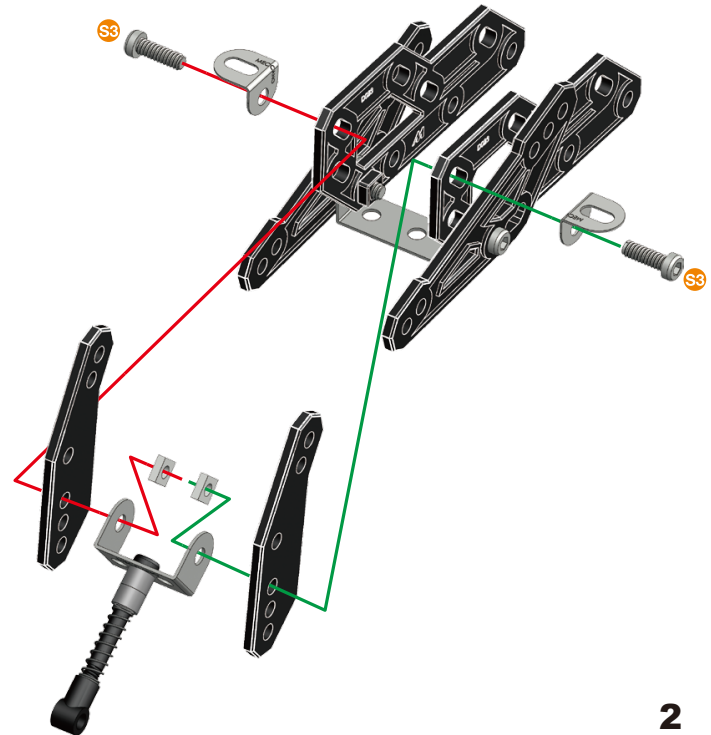


3

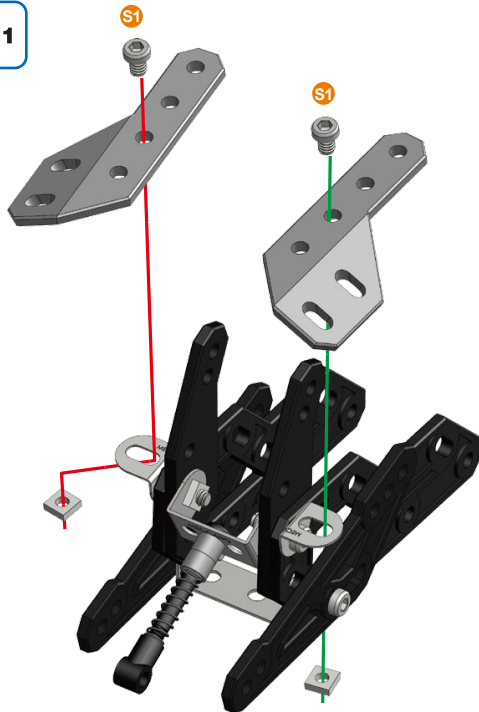
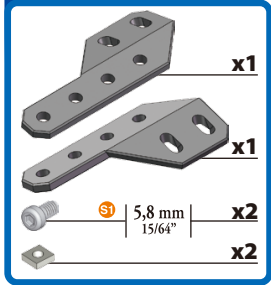
① + ② +

-  x2
-  x2
-  12 mm | 1/2" | x2
-  x2

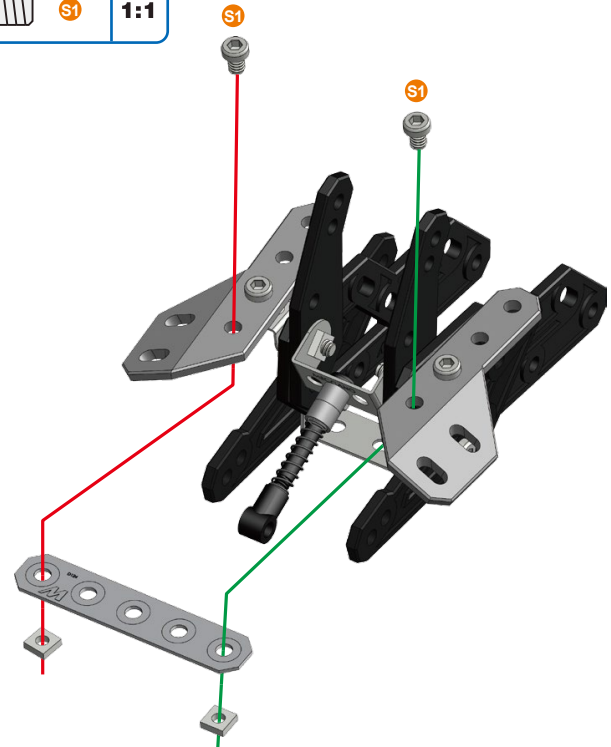
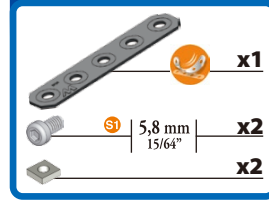
-  S3 1:1



4



5



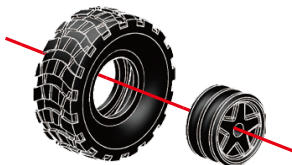
6



x2



x2



x2



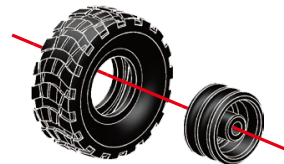
7



x2



x2

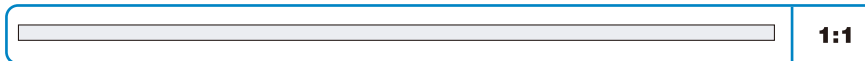
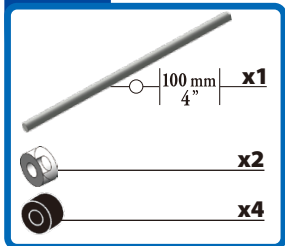


x2






8

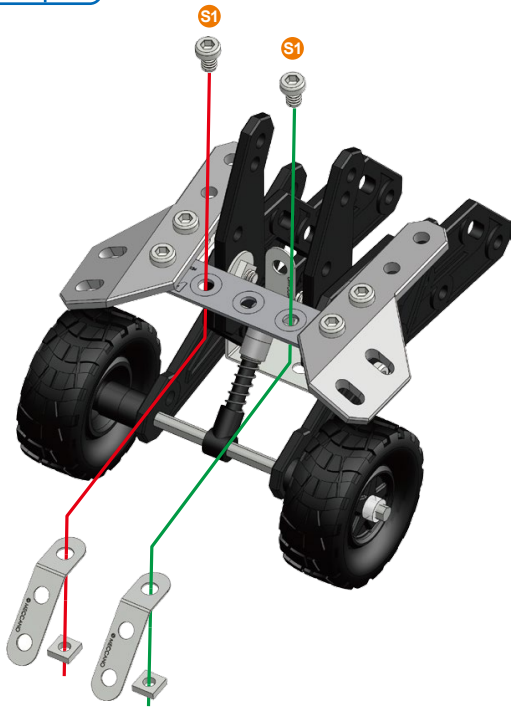
⑤ + ⑥ + ⑦ +






9

-  x2
-  5,8 mm | 15/64" x2
-  x2

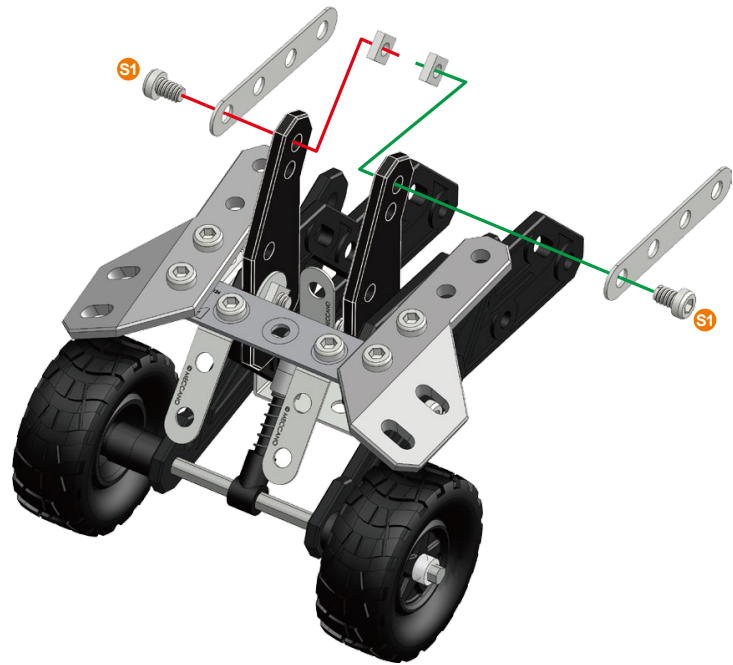
-  1:1



10

-  x2
-  5,8 mm | 15/64" x2
-  x2

-  1:1



11



x2



x1



x2

9,5 mm
3/8"

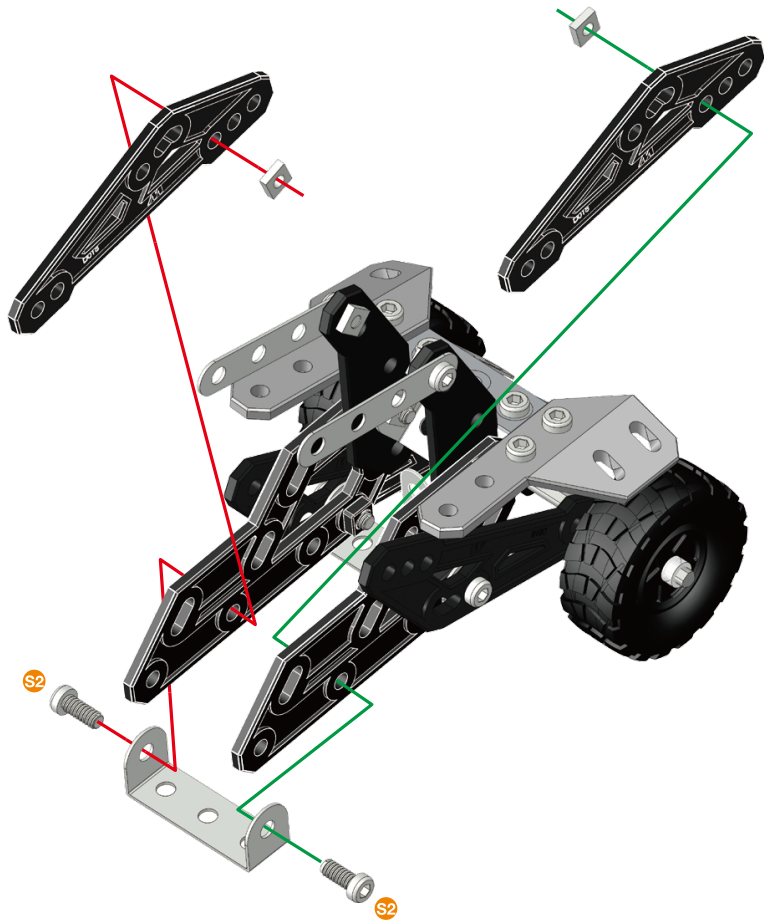


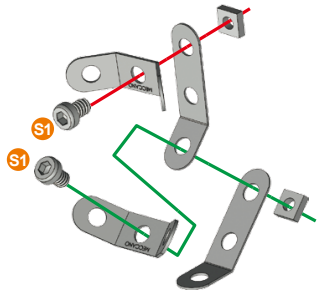
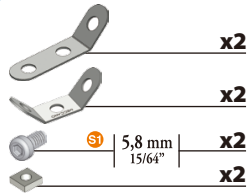
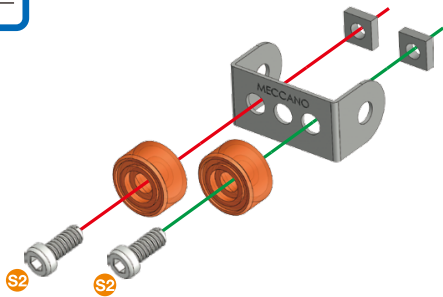
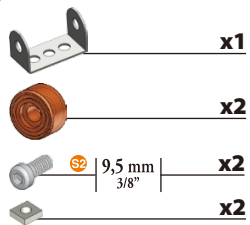
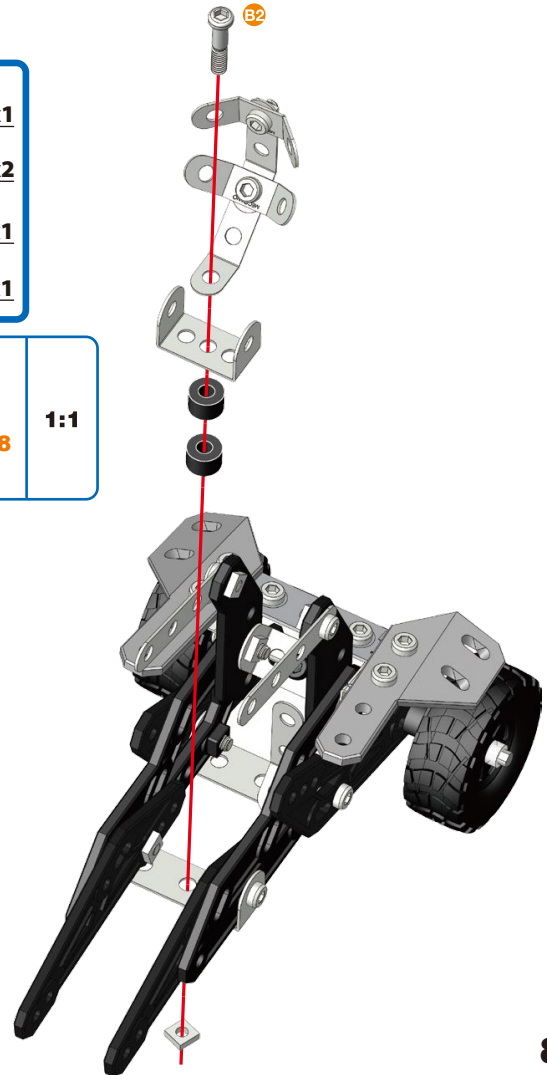
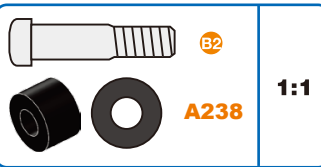
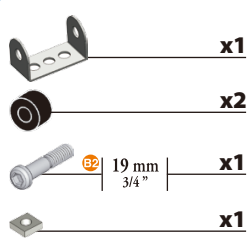
x2

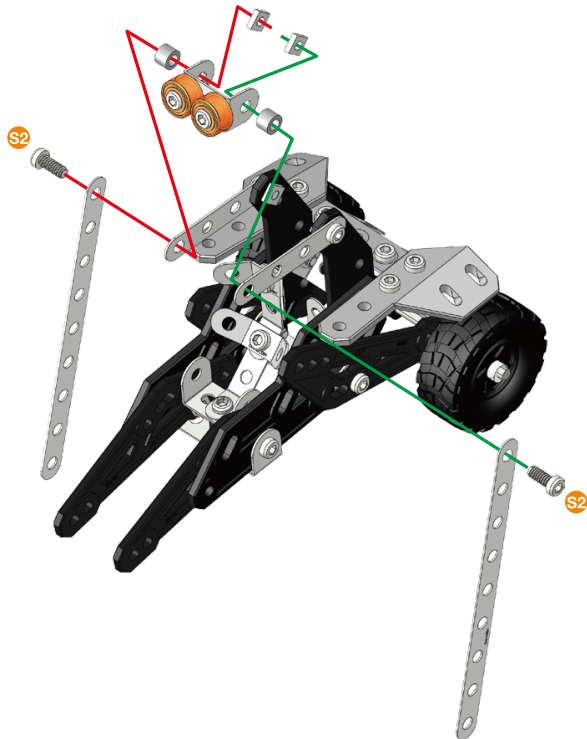
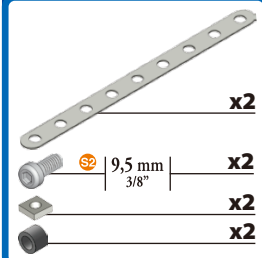
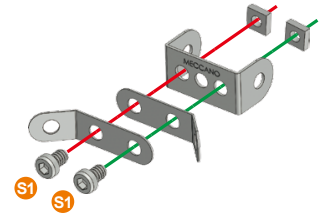
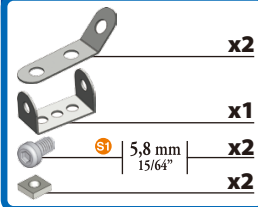
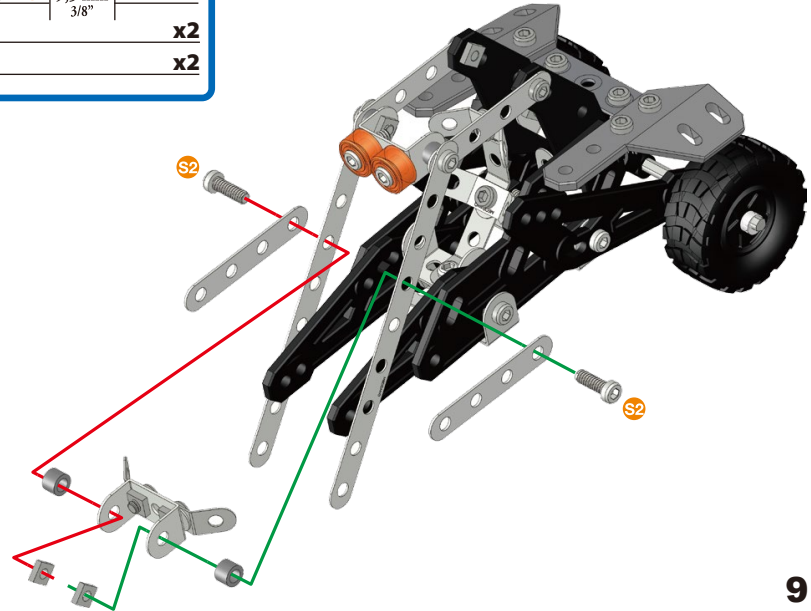
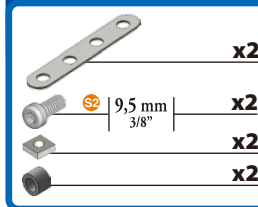


S2

1:1



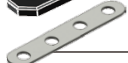
12**14****13****11 + 12 +**

15**(13) + (14) +****16****17****(15) + (16) +**

18



x2



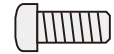
x2



x2



x2

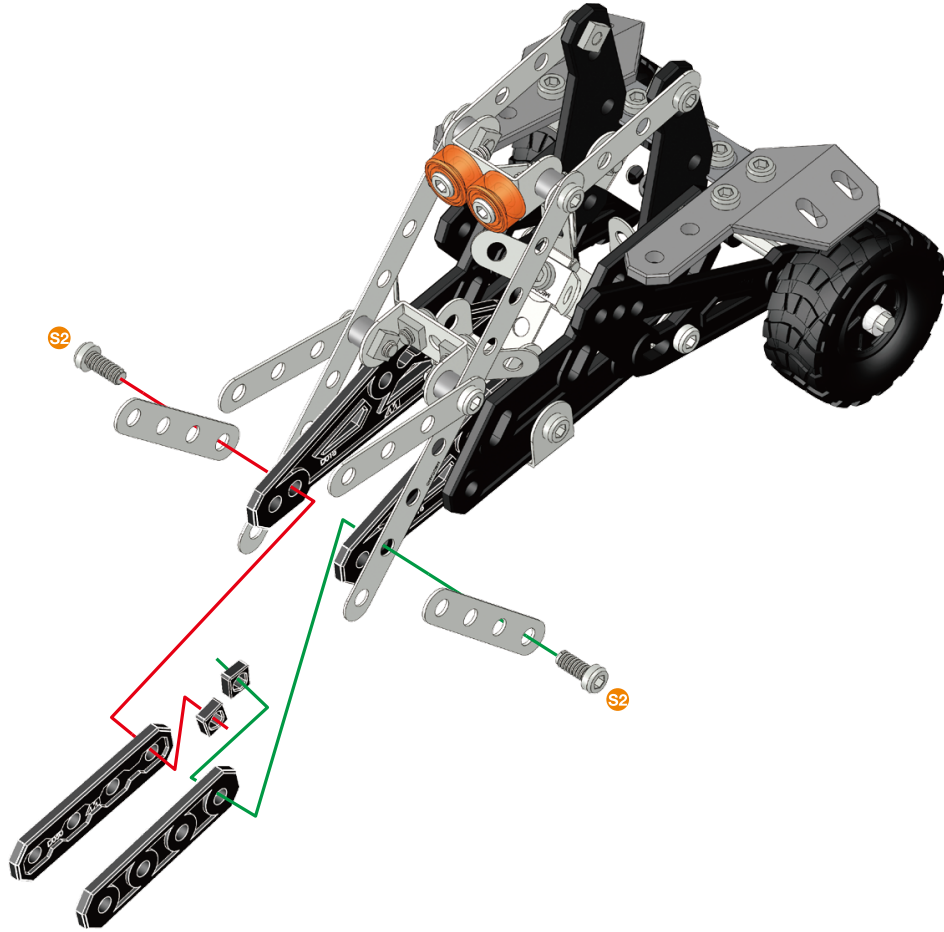


S2







D277

1:1

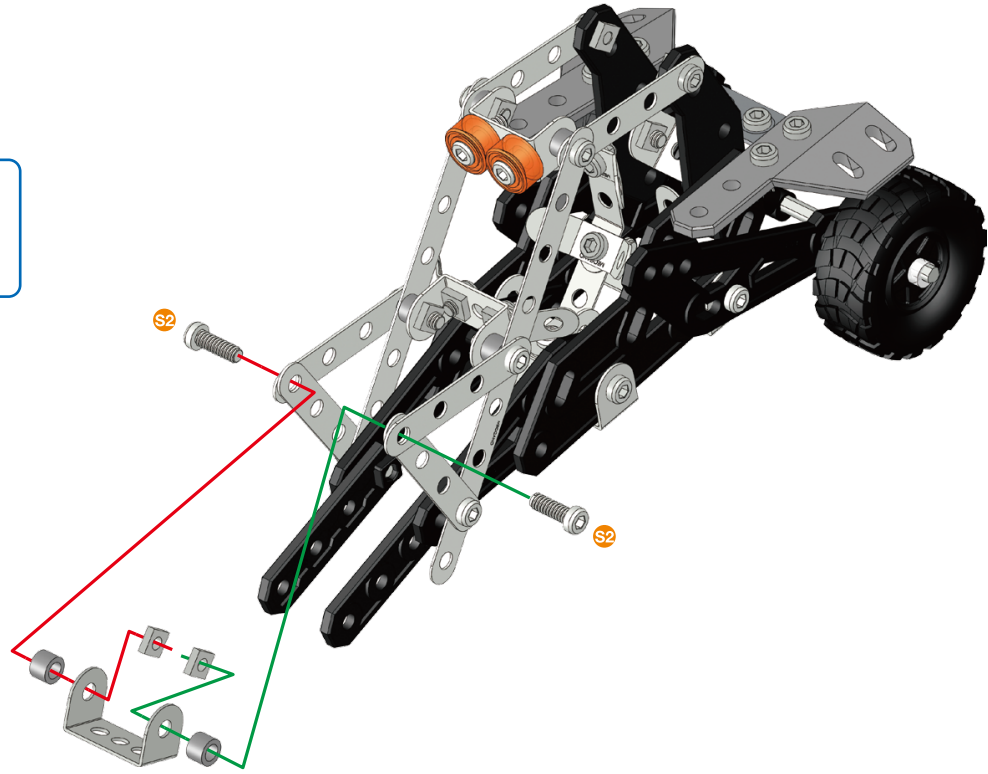


19

-  x1
-  9,5 mm
3/8" x2
-  x2
-  x2

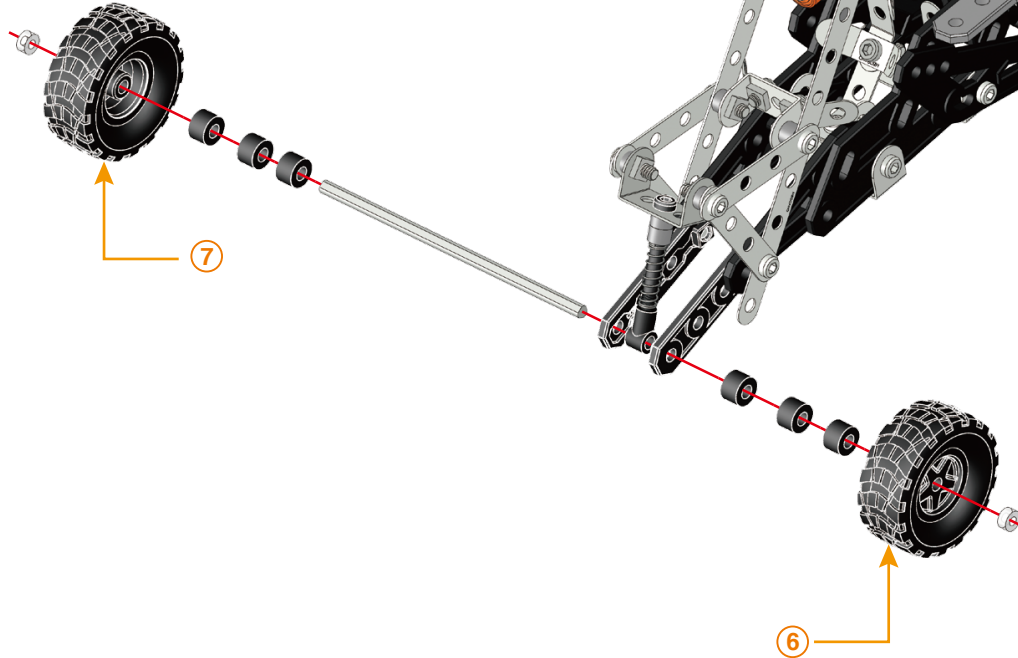
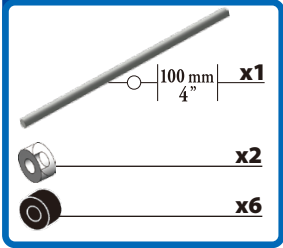
-  S2
-  A338

1:1



21

⑥ + ⑦ + ⑳ +



22



x2



5,8 mm
15/64"

x2

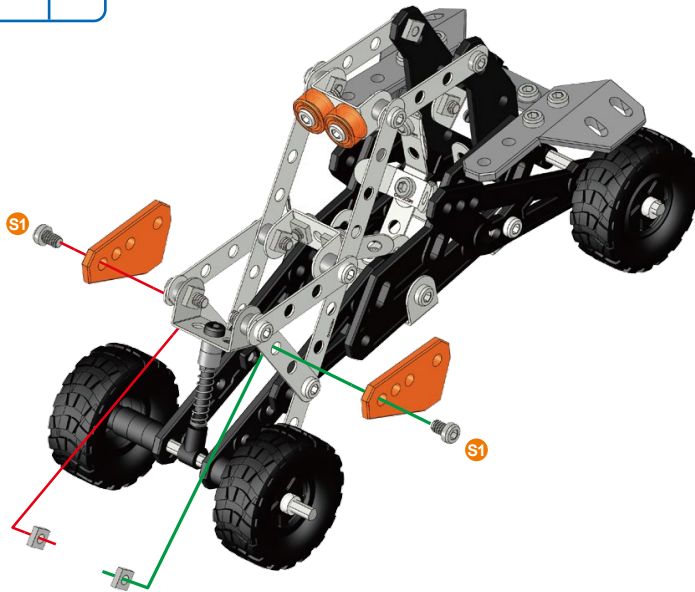


x2



S1

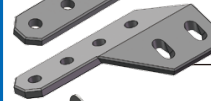
1:1



23



x1



x1



x1



5,8 mm
15/64"

x2

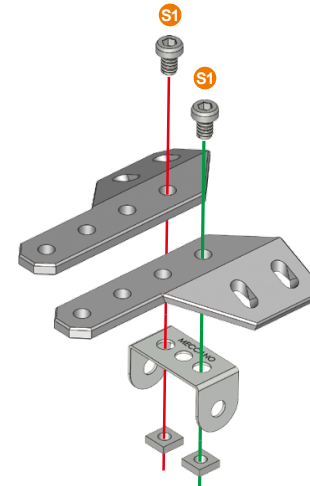


x2







S1

1:1



25

-  x2
-  x1
-  S1 | 5,8 mm | x4
-  x4

-  S1 | 1:1

