


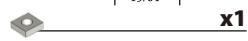
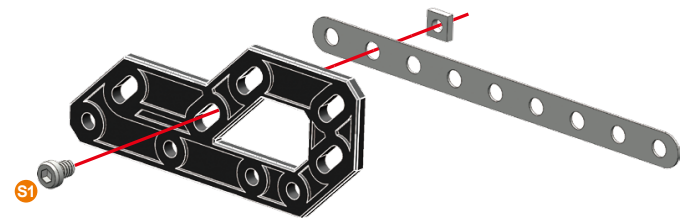
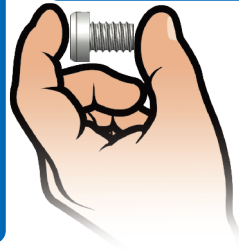




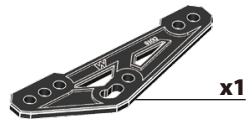

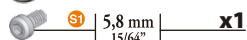
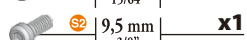
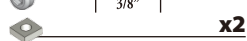
# 1

-  x1
-  x1
-  x1
-  x1

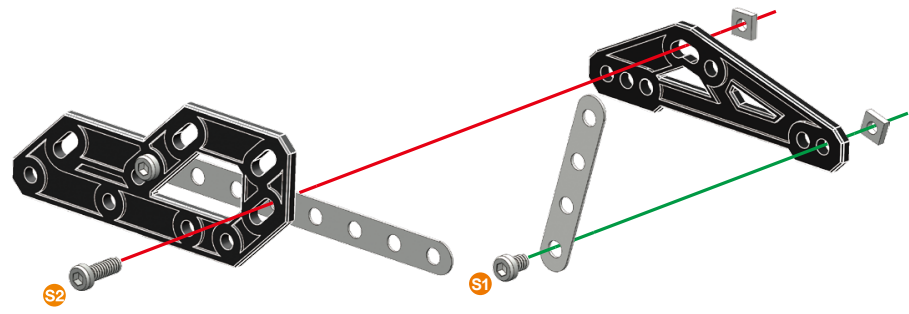
- |   |    |     |
|---|----|-----|
|  | S1 | 1:1 |
|---|----|-----|






# 2

-  x1
-  x1
-  x1
-  x1
-  x2

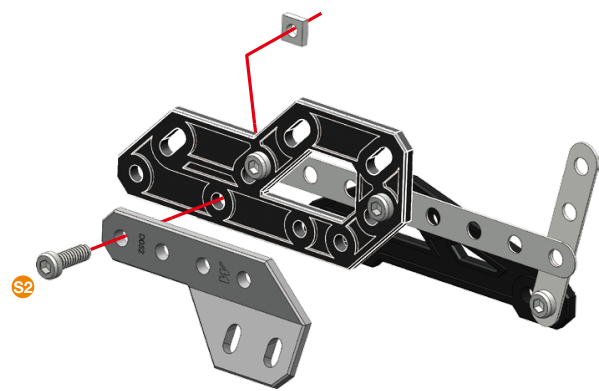
- |   |    |     |
|---|----|-----|
|  | S2 | 1:1 |
|  | S1 |     |



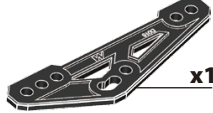



3


-  x1
-  | 9,5 mm | x1  
3/8"
-  x1

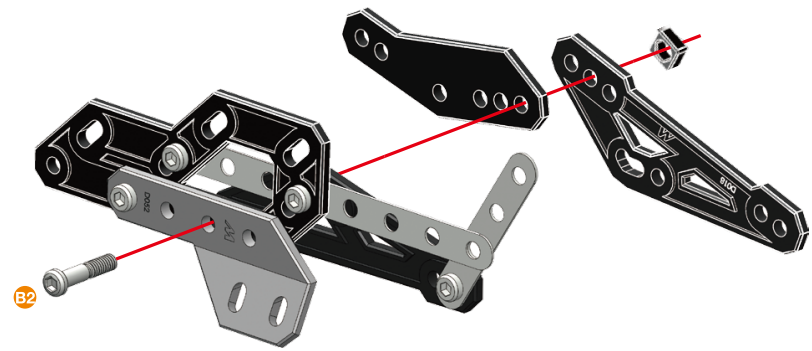
-  | S2 | 1:1



4

-  x1
-  x1
-  | 19 mm | x1  
3/4"
-  x1

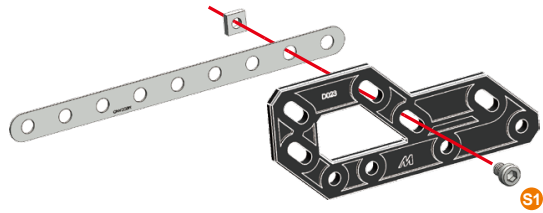
-  | S2 | 1:1



5

	x1	
	x1	
	5,8 mm 15/64"	x1
		x1

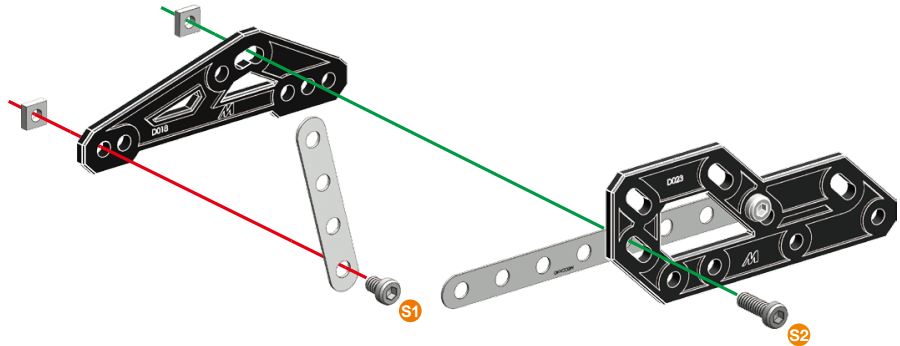
	S1	1:1
--	----	-----



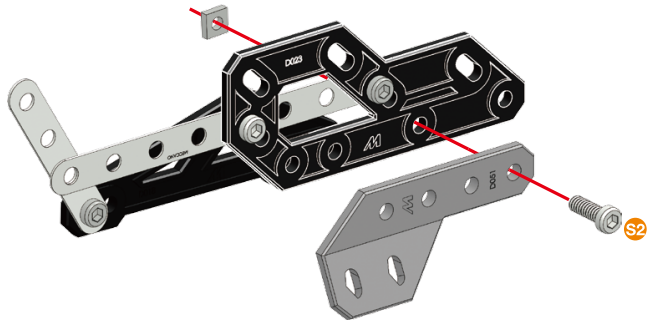
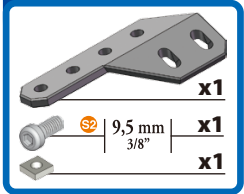
6

	x1	
	x1	
	5,8 mm 15/64"	x1
	9,5 mm 3/8"	x1
		x2

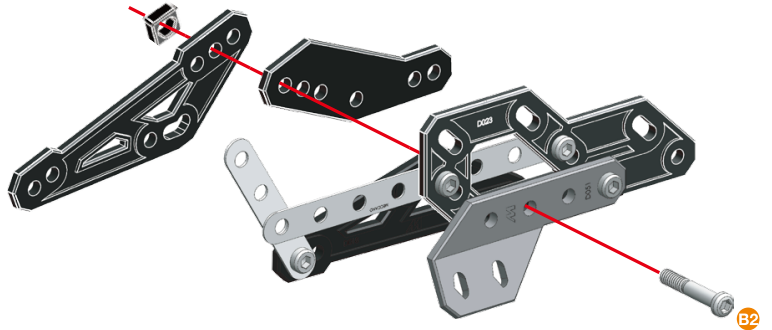
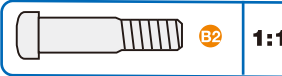
	S2	1:1
	S1	



7



8

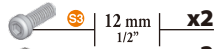




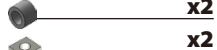
10



x1



12 mm  
1/2" x2



x2



x2

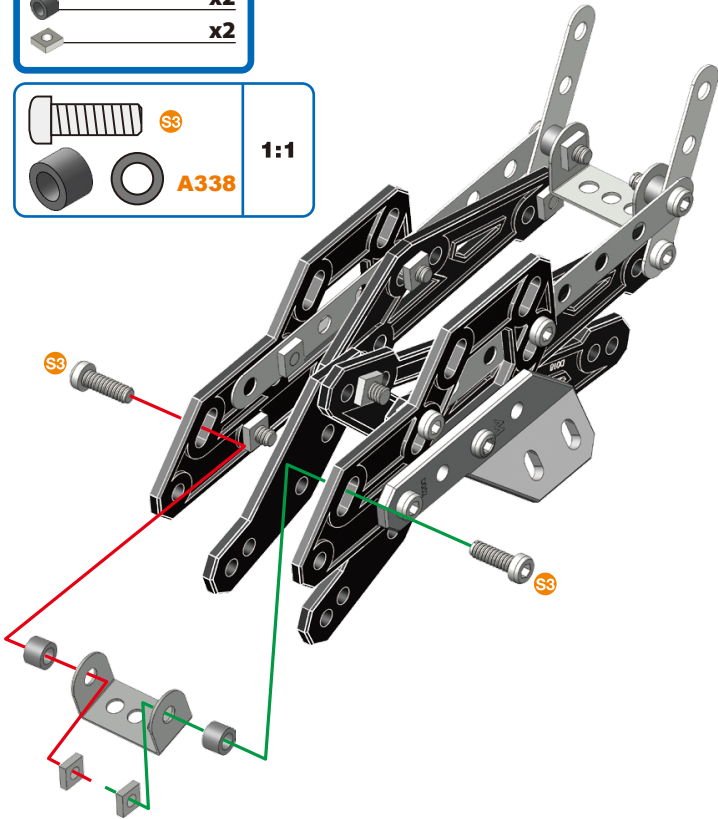


S3



A338

1:1



11



32 mm  
1 1/4" x1



x1



x1

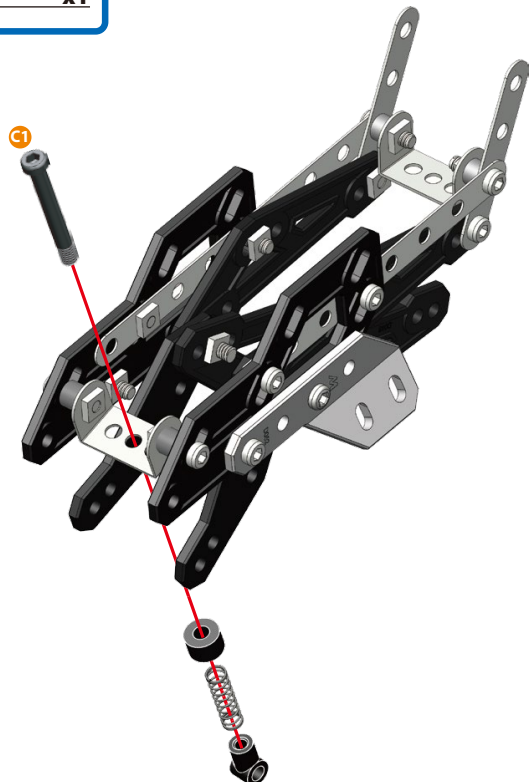


x1









A238

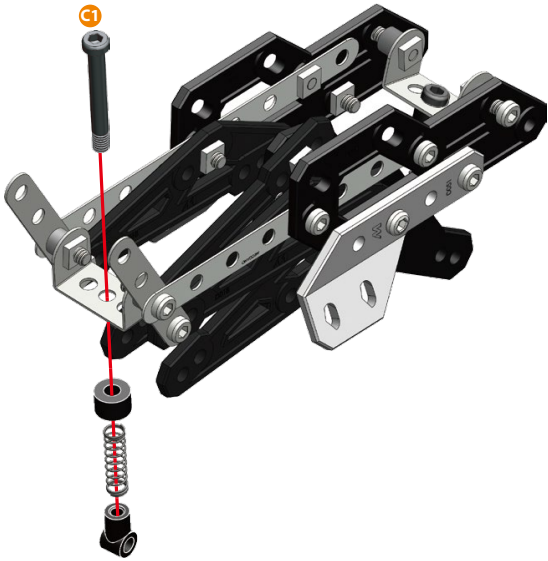
1:1



12

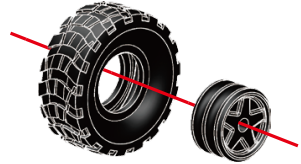
-  32mm 11/4" x1
-  x1
-  x1
-  x1

-  A238 1:1
- 
- 



13

-  x2
-  x2

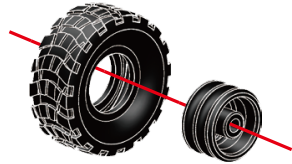


x2



14

-  x2
-  x2

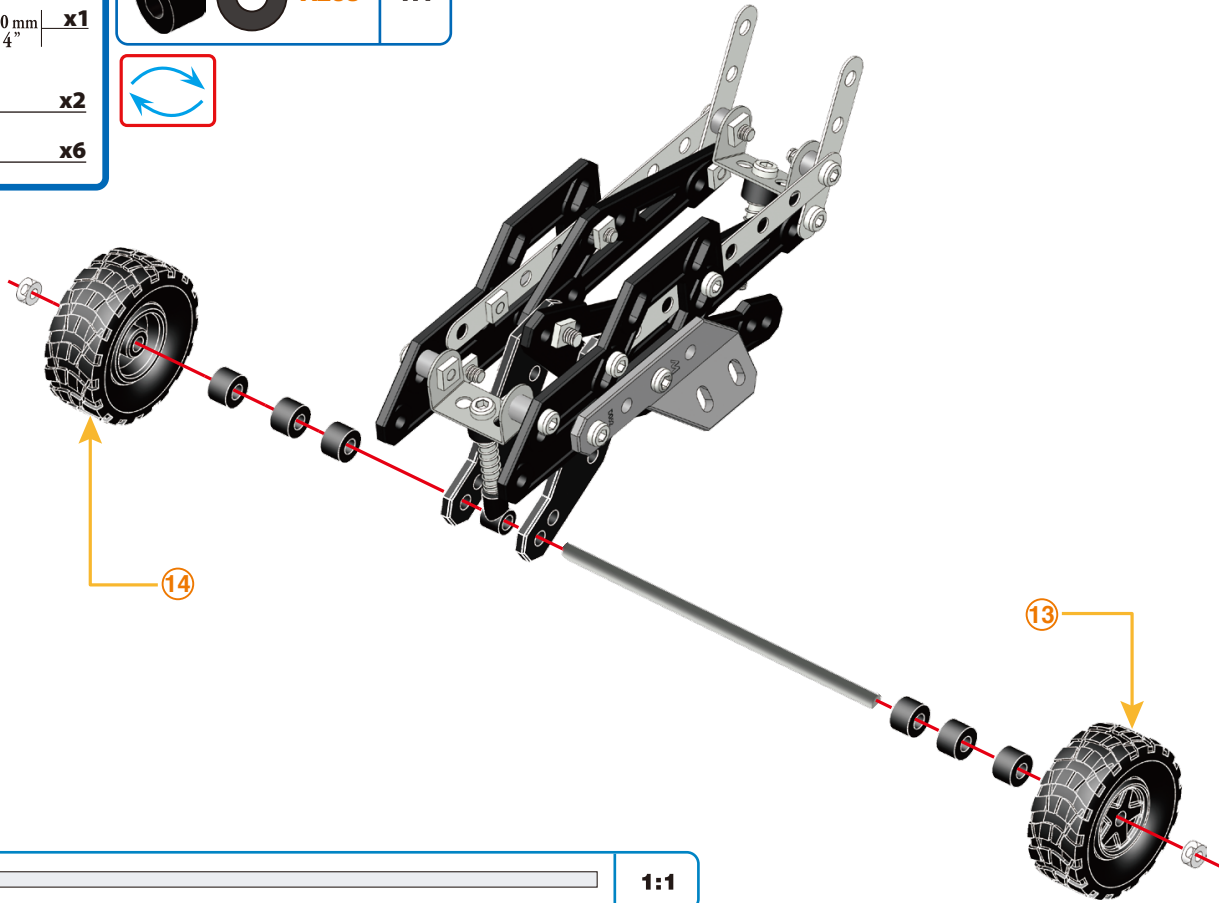
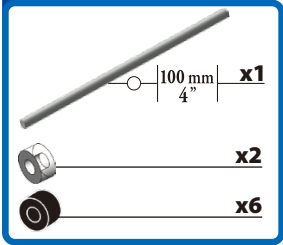


x2



15

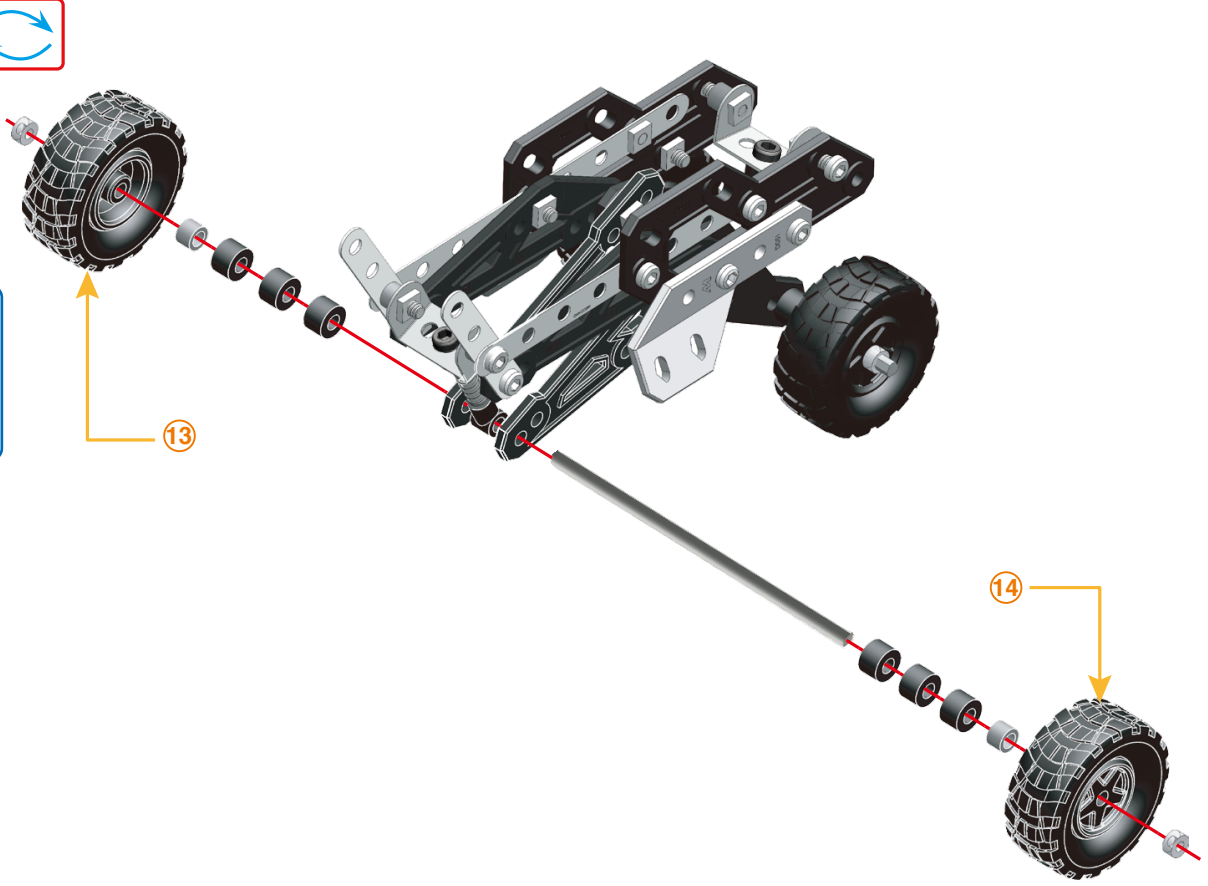
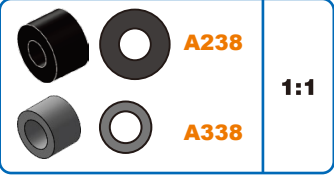
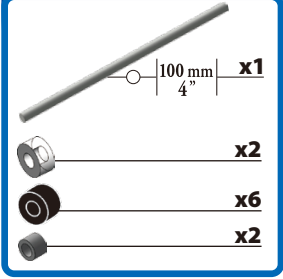
(12) + (13) + (14) +









16

⑬ + ⑭ + ⑮ +



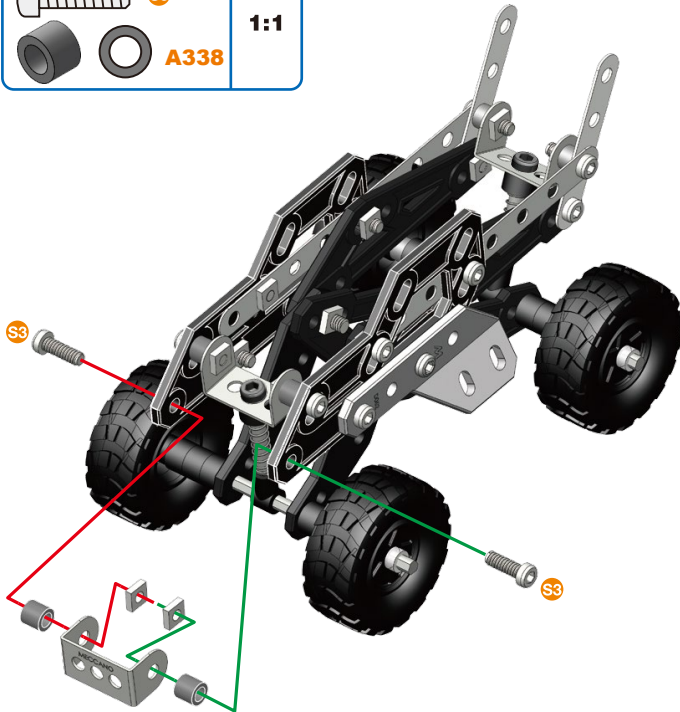
17

-  x1
-  12 mm | x2
-  x2
-  x2






-  x1
-  x1
-  x1
- A338**

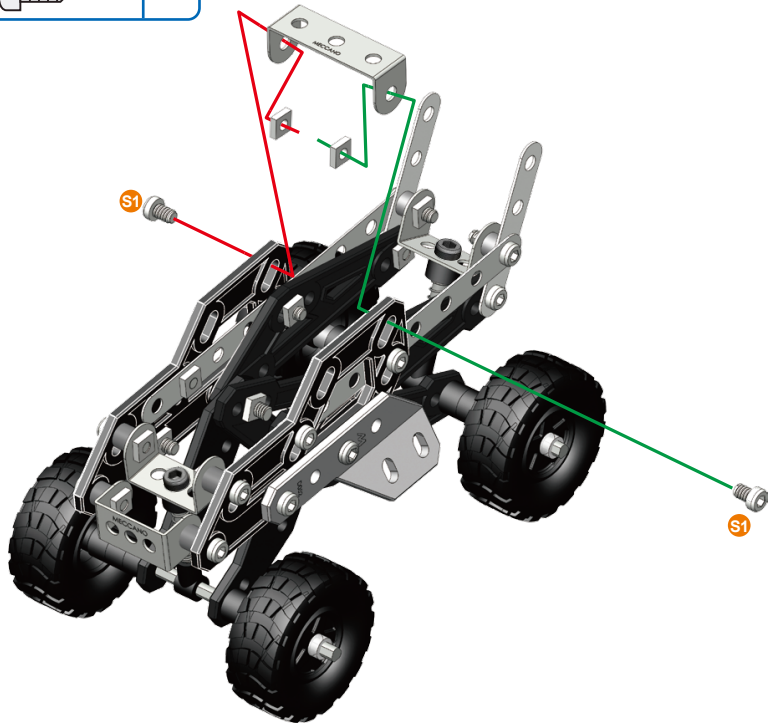
1:1

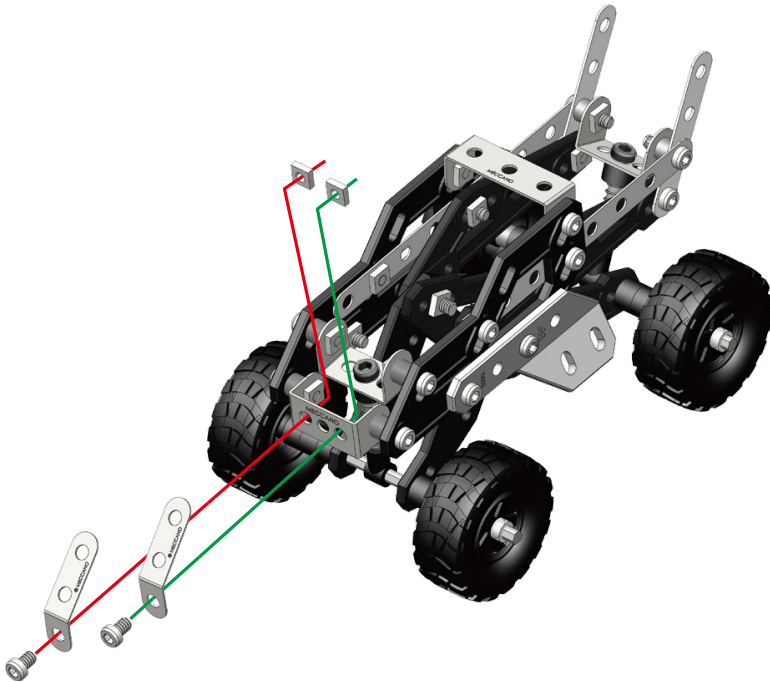
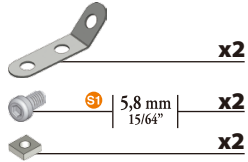
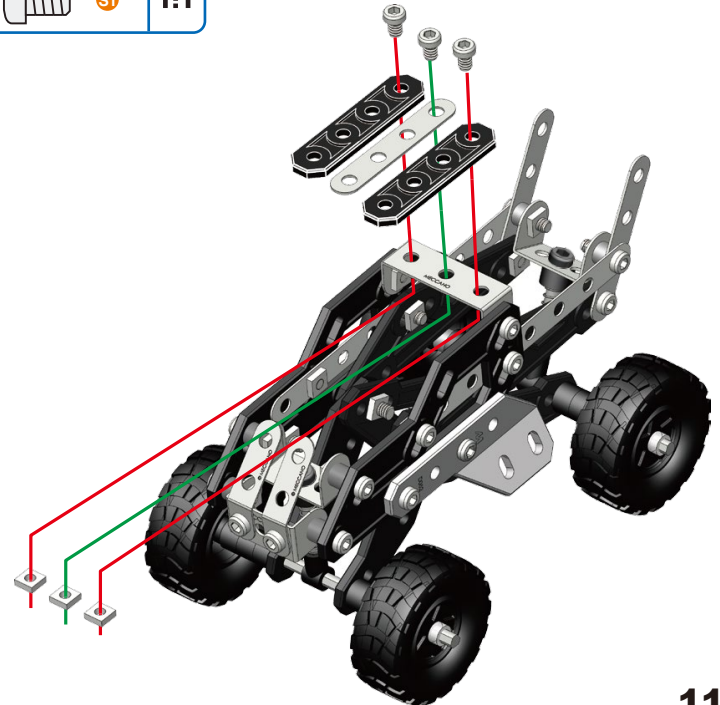
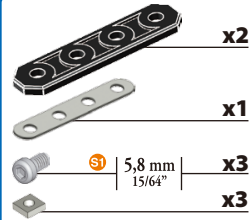


18


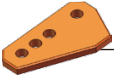


-  x1
-  5,8 mm | x2
-  x2

-  x1
- 1:1**



**19****20**

21

-  x1
-  x2
-  9,5 mm  
3/8" x2
-  x2

-  S2 1:1

