






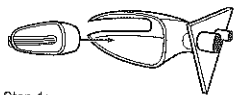


TM

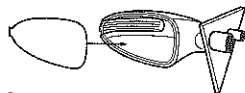
Wing Mirror W/LED Unit Set Used with 1/10 RC touring car NO.48060

● Symbols used throughout the instruction manual, comprise:

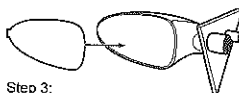
-  Cut off shaded portion.
-  5mm Drill holes with the specified diameter.
-  Pay close attention here!
-  Must be purchased separately.
-  Assemble left and right sides the same way.



Step 1:
Stick the interior cover inside the wing mirror.



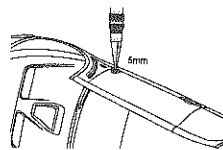
Step 2:
Stick the silver sticker on the plastic mirror.



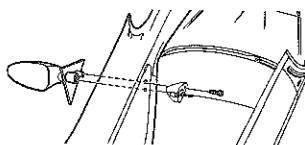
Step 3:
Add some glue on the plastic mirror, then put the mirror cover on the wing mirror.



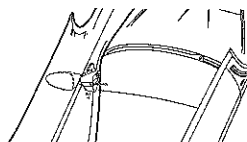
Step 4:
Put the 3mm LED light on the mirror mount.



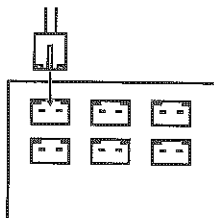
Step 5:
We are recommended use our body reamer to drill a hole for insert the wing mirror on your car body.



Step 6:
Insert the wing mirror on the hole we are drill on step 4, and the other end put the mirror mount to lock up the end of wing mirror.

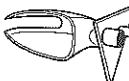








Step 7:
Arrange all the cable from your car body and test the wing mirror are well install or not.



Step 8:
Connect the 3mm LED light on our 3 racing LED system you can connect on socket 3, 4 or function socket depend on your own choose

Item Include:

-  wing mirror set X2
-  wing mount set X2
-  inner wing mirror set X2
-  mirror plate X2
-  3MM LED light- Orange color X1
-  3MM LED light- Orange color 2 pairs
-  M2X4 self tapping screw X2