



www.estesrockets.com

Estes® Industries
1295 H Street
Penrose, CO 81240
Printed in CHINA

Chrome Domes™

FLYING MODEL ROCKET KIT INSTRUCTIONS
KEEP FOR FUTURE REFERENCE



SILVER SERIES
EST 2180

GOLD SERIES
EST 2181

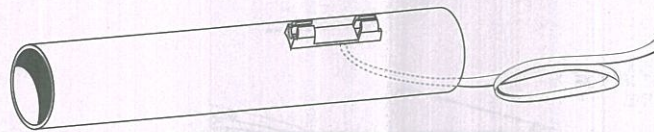
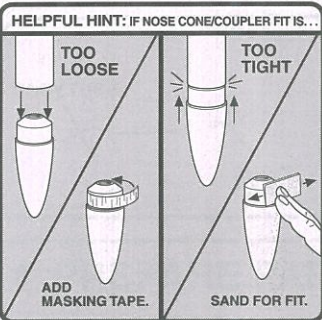
ASSEMBLY TIP

Read all instructions before beginning work on your model. Make sure you have all parts and supplies.

TEST-FIT ALL PARTS TOGETHER BEFORE APPLYING ANY GLUE. If any parts don't fit properly, sand as required for precision assembly.

PARTS

Locate the parts shown below and lay them out on the table in front of you. **DO NOT USE THIS DRAWING TO ASSEMBLE YOUR ROCKET.**

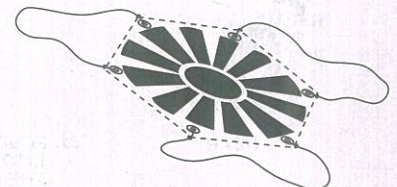


Body Tube Assembly (1)
Silver Series (60370)
Gold Series (60371)

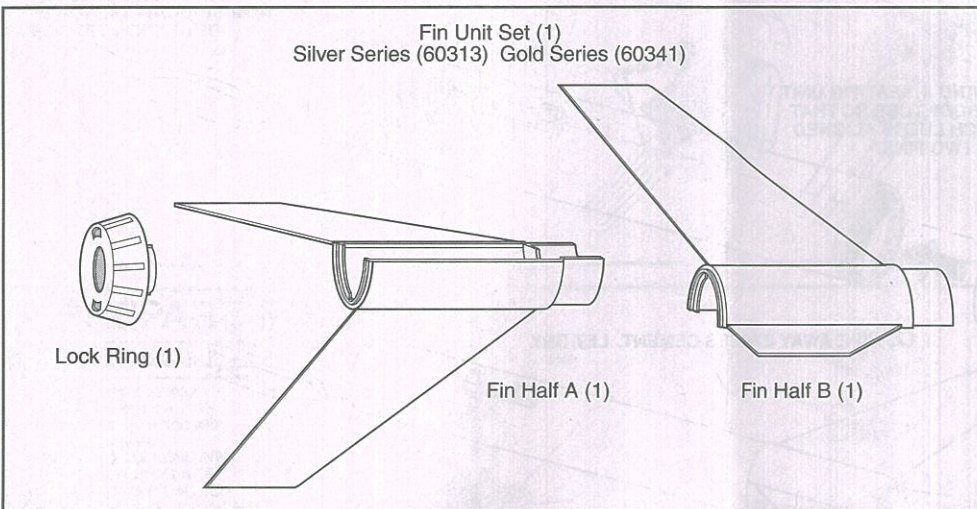


Nose Cone PNC-56A (1)
Silver Series (60312)
Gold Series (60340)

Fin Unit Set (1)
Silver Series (60313) Gold Series (60341)



Assembled 12" (30 cm)
Parachute (1) (35801)



Lock Ring (1)

Fin Half A (1)

Fin Half B (1)

SUPPLIES

In addition to the parts included in the kit you will also need:



RULER



MODELING KNIFE



PLASTIC CEMENT



MASKING TAPE



FINE SAND PAPER (#400-600 GRIT)

Rocket Label (1)
Silver Series (60314)
Gold Series (60342)

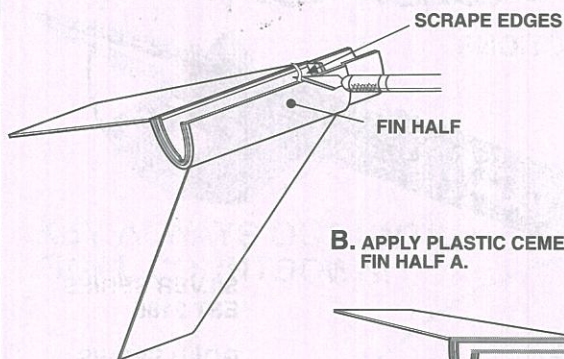
ChromeDomes™

© 2002 Central Corp. All rights reserved. Printed in China.

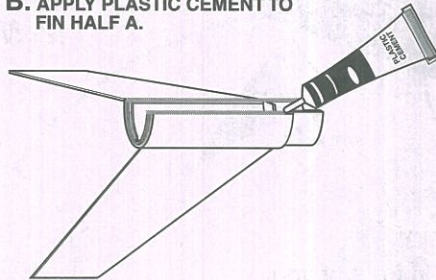


1. ASSEMBLE FIN UNIT

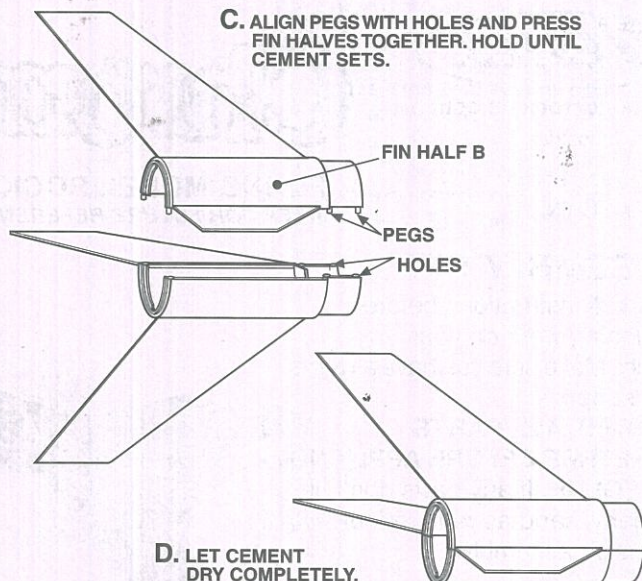
A. SCRAPE CHROME FLASH FROM EDGES OF FIN HALVES A AND B.



B. APPLY PLASTIC CEMENT TO FIN HALF A.



C. ALIGN PEGS WITH HOLES AND PRESS FIN HALVES TOGETHER. HOLD UNTIL CEMENT SETS.

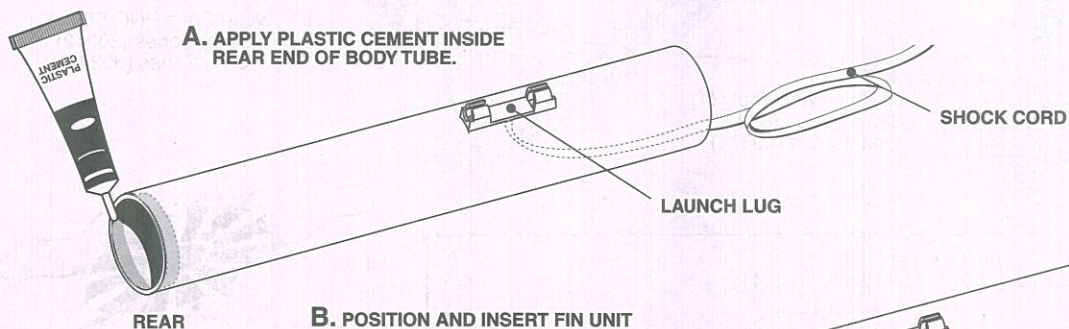


D. LET CEMENT DRY COMPLETELY.

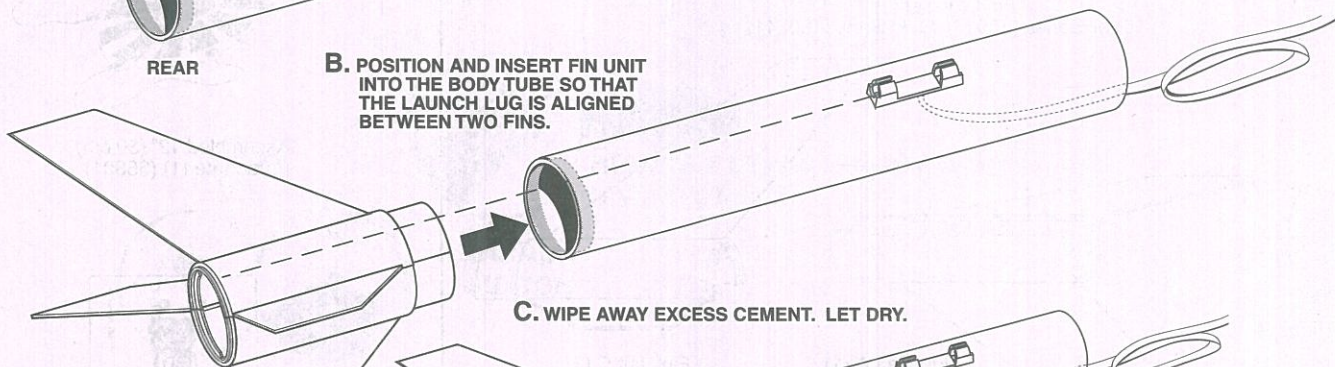
FINISHED

2. ATTACH BODY TUBE

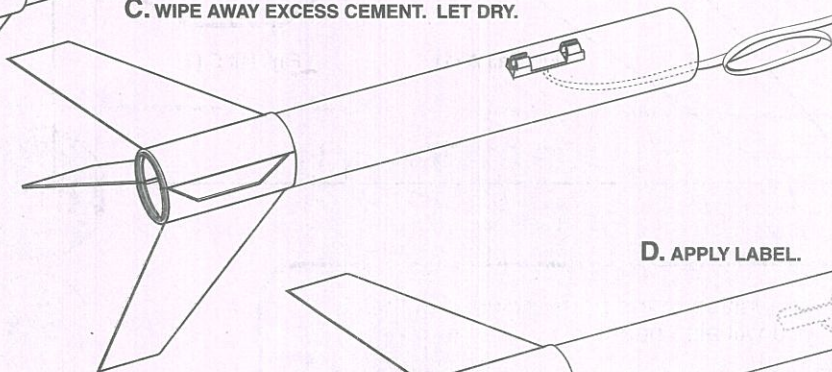
A. APPLY PLASTIC CEMENT INSIDE REAR END OF BODY TUBE.



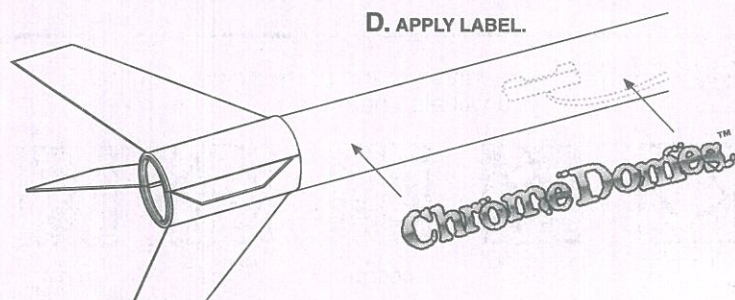
B. POSITION AND INSERT FIN UNIT INTO THE BODY TUBE SO THAT THE LAUNCH LUG IS ALIGNED BETWEEN TWO FINNS.



C. WIPE AWAY EXCESS CEMENT. LET DRY.

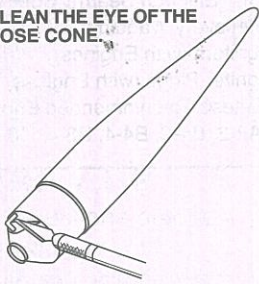


D. APPLY LABEL.

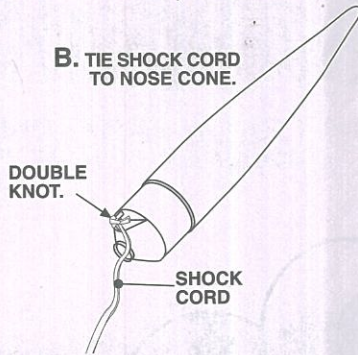


3. ATTACH PARACHUTE AND NOSE CONE

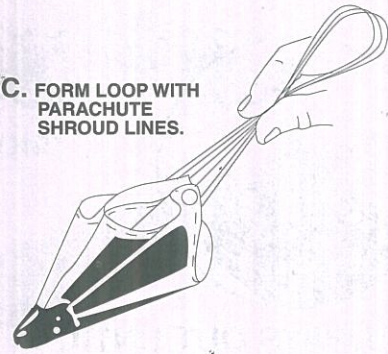
A. CLEAN THE EYE OF THE NOSE CONE.



B. TIE SHOCK CORD TO NOSE CONE.

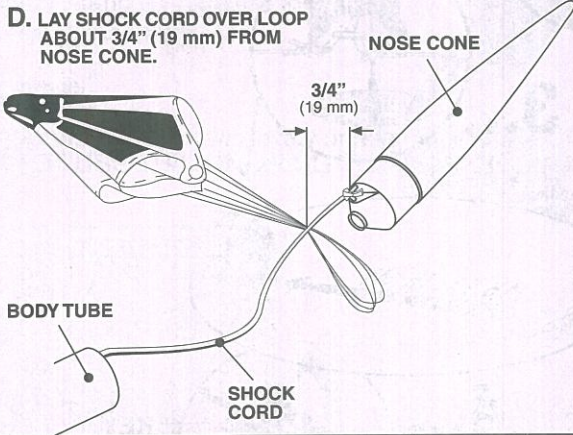


C. FORM LOOP WITH PARACHUTE SHROUD LINES.

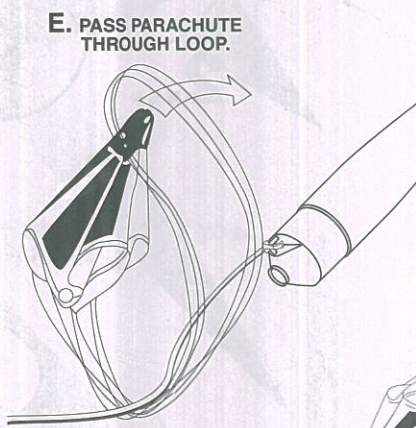


CAUTION:
DO NOT CUT EYE OF NOSE CONE OFF!

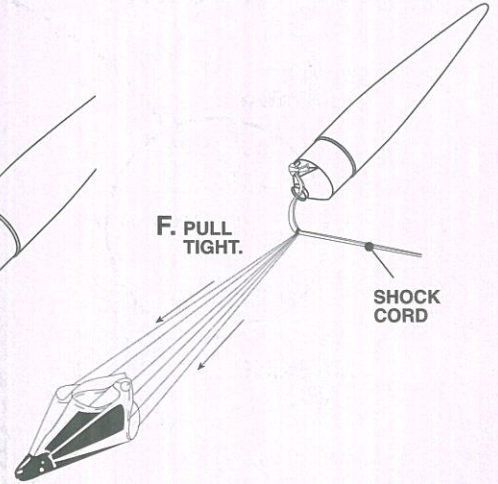
D. LAY SHOCK CORD OVER LOOP ABOUT 3/4" (19 mm) FROM NOSE CONE.



E. PASS PARACHUTE THROUGH LOOP.

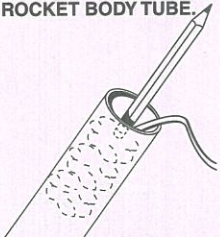


F. PULL TIGHT.

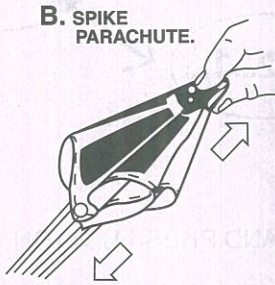


4. PREPARE PARACHUTE FOR FLIGHT

A. INSERT FOUR SQUARES OF LOOSELY CRUMPLED RECOVERY WADDING INTO ROCKET BODY TUBE.



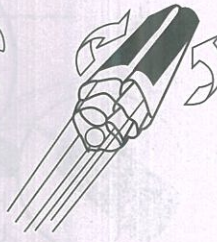
B. SPIKE PARACHUTE.



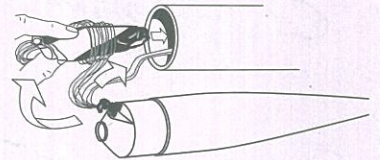
C. FOLD.



D. ROLL.



E. WRAP LINES LOOSELY. INSERT 'CHUTE, SHOCK CORD AND NOSE CONE INTO BODY TUBE.



5. PREPARE ENGINE

WARNING: FLAMMABLE

To avoid serious injury, read instructions & NAR Safety Code included with engines.
PREPARE YOUR ENGINE ONLY WHEN YOU ARE OUTSIDE AT THE LAUNCH SITE PREPARING TO LAUNCH!
If you do not use your prepared engine, remove the igniter before storing your engine.

