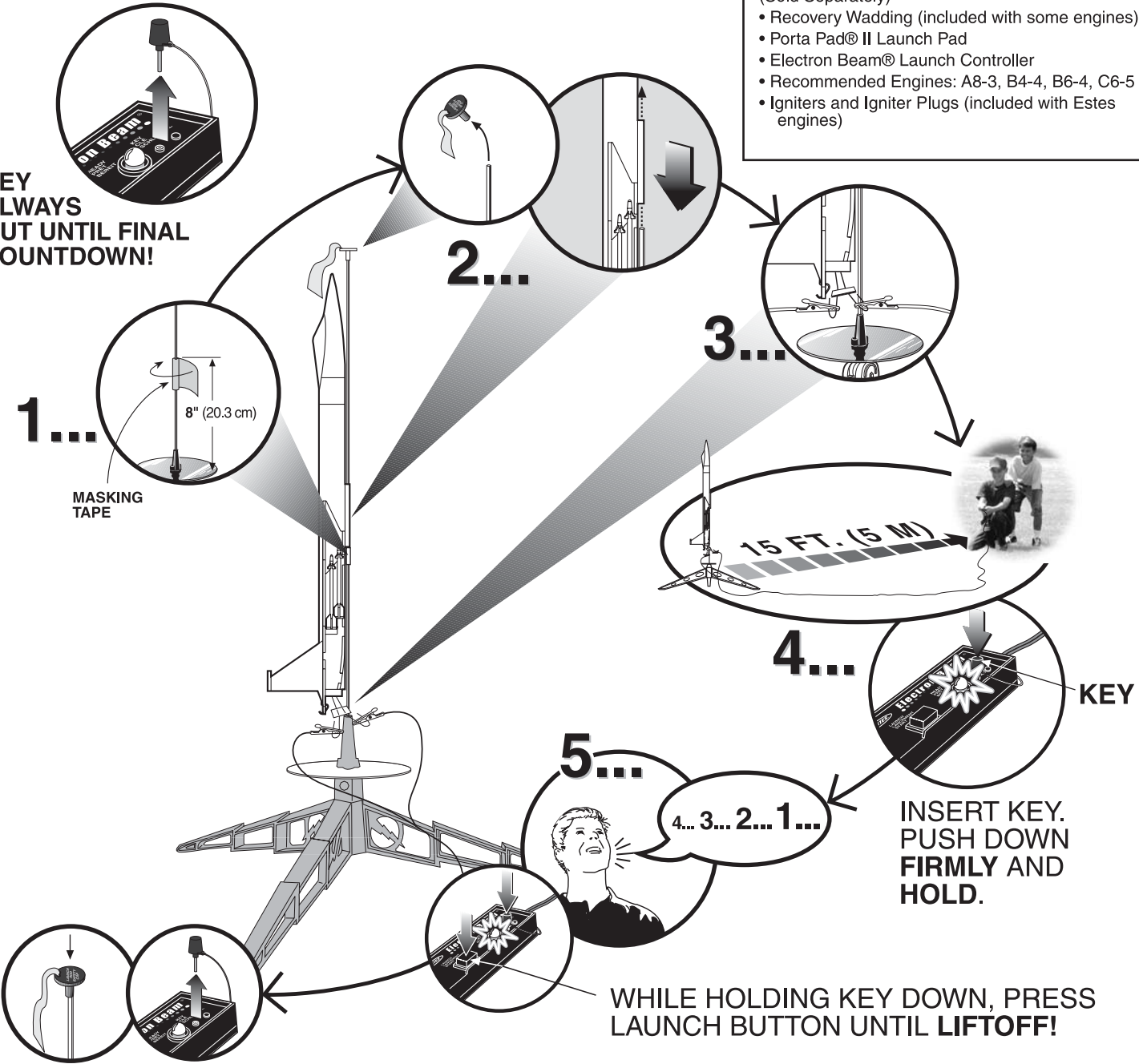


COUNTDOWN AND LAUNCH

ESTES LAUNCH SUPPLIES

- (Sold Separately)
- Recovery Wadding (included with some engines)
 - Porta Pad® II Launch Pad
 - Electron Beam® Launch Controller
 - Recommended Engines: A8-3, B4-4, B6-4, C6-5
 - Igniters and Igniter Plugs (included with Estes engines)

KEY ALWAYS OUT UNTIL FINAL COUNTDOWN!

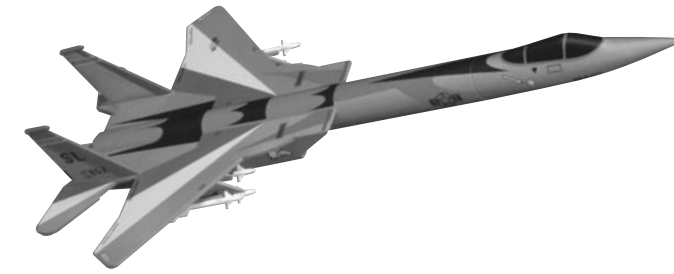


SCREAMING EAGLE®

#2117

FLYING MODEL ROCKET KIT INSTRUCTIONS

KEEP FOR FUTURE REFERENCE

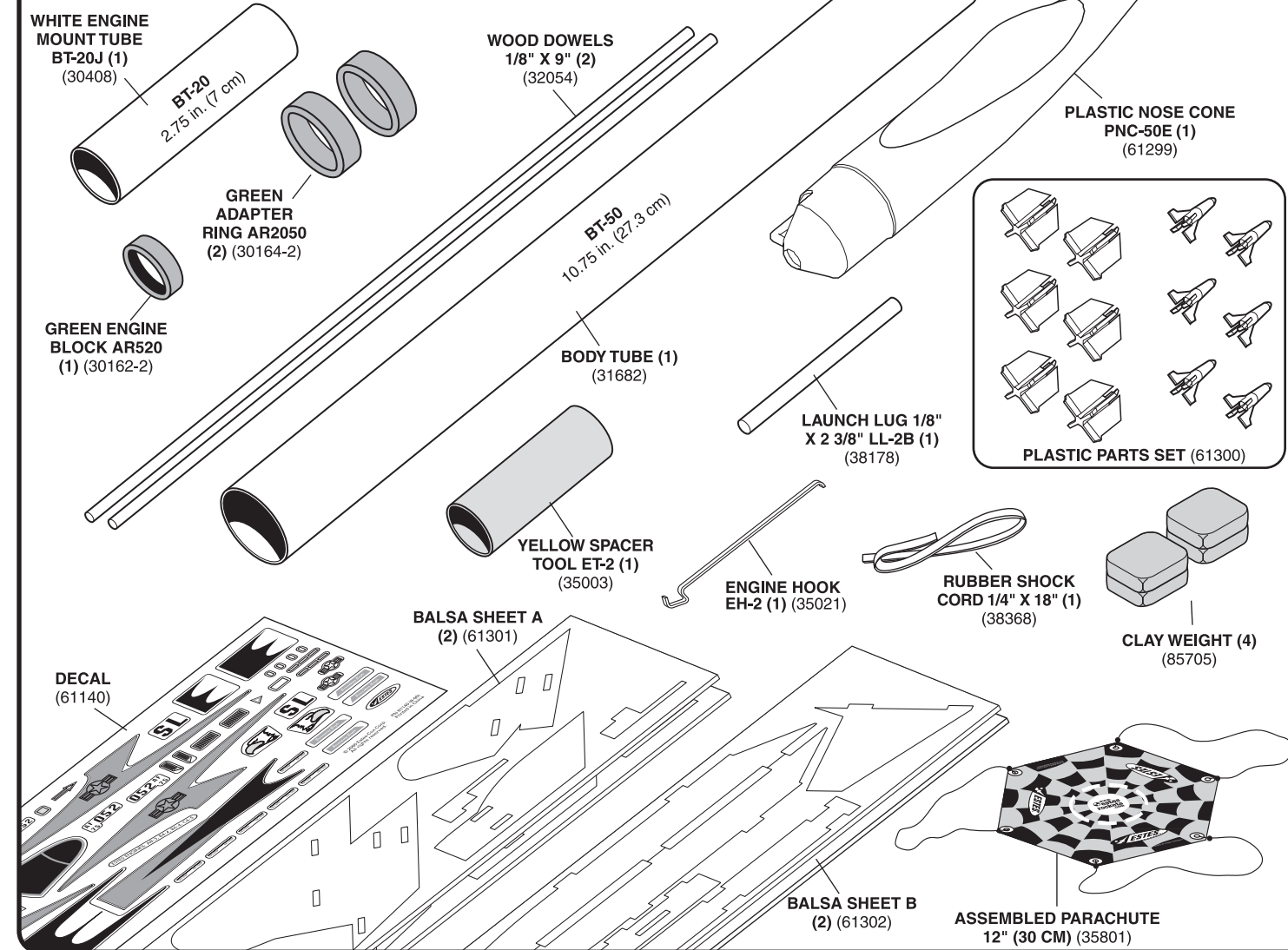


ASSEMBLY TIP: Read all instructions before beginning work on your model. Make sure you have all parts and supplies.

TEST FIT ALL PARTS TOGETHER BEFORE APPLYING ANY GLUE!

If any parts don't fit properly, sand as required for precision assembly.

PARTS Locate the parts shown below and lay them out on the table in front of you. **DO NOT USE THIS DRAWING TO ASSEMBLE YOUR ROCKET.**



PRECAUTIONS



PRE-LAUNCH CHECK
For safety, never launch a damaged rocket. Check the rocket's body, nose cone and fins. Also, check the engine mount, recovery system and launch lug(s). Repair any damage before launching the rocket.

FLYING YOUR ROCKET
Choose a large field (500 ft. [152 m] square) free of dry weeds and brown grass. The larger the launch area, the better your chance of recovering your rocket. Football fields and playgrounds are great. Launch only with little or no wind and good visibility.

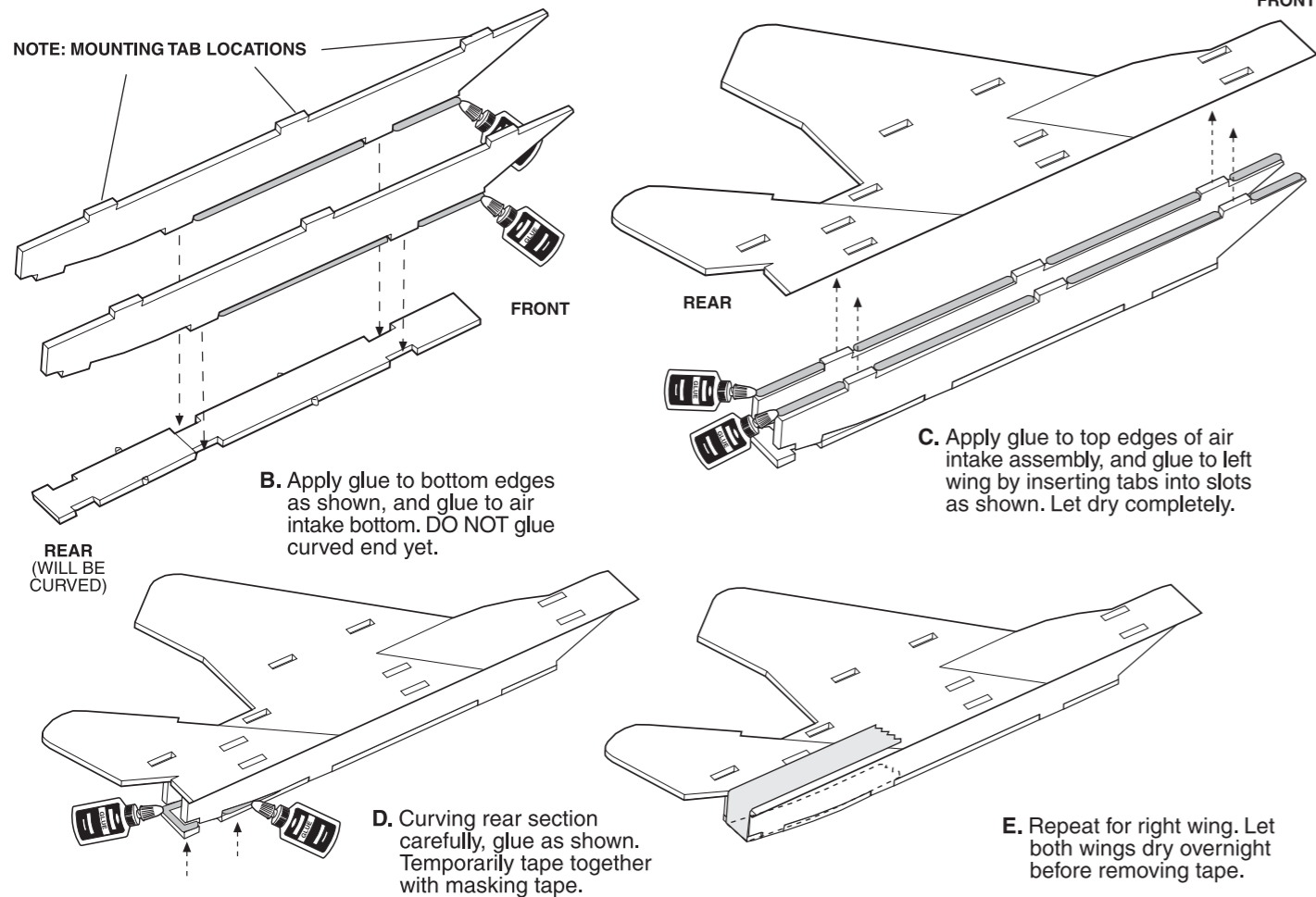
Always follow the National Association of Rocketry (NAR) SAFETY CODE.

MISFIRES
TAKE THE KEY OUT OF THE CONTROLLER. WAIT ONE MINUTE BEFORE GOING NEAR THE ROCKET! Disconnect the igniter clips and remove the engine. Take the plug and igniter out of the engine. If the igniter has burned, it worked but did not ignite the engine because it was not touching the propellant inside the engine. Put a new igniter all the way inside the engine without bending it. Push the plug in place. Repeat the steps under Countdown and Launch.

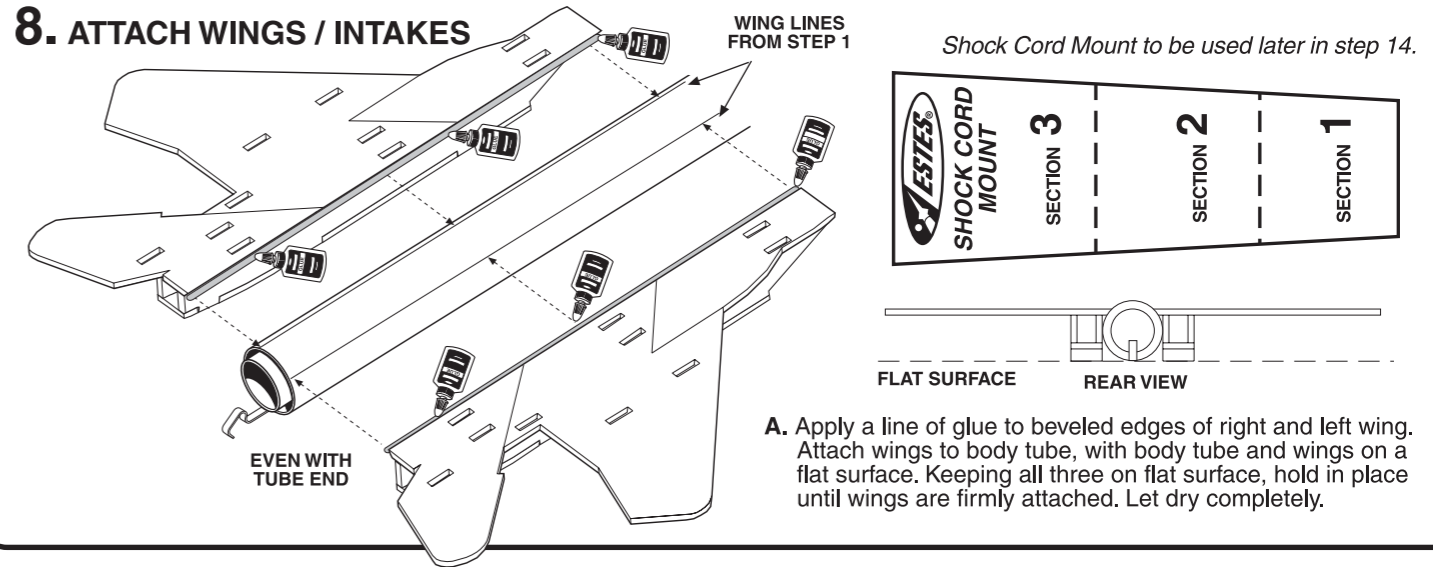
- SUPPLIES** In addition to the parts included in the kit you will also need:
- SCISSORS
 - PENCIL
 - RULER
 - FINE SANDPAPER
 - CARPENTER'S GLUE
 - MODELING KNIFE
 - MASKING TAPE
 - HOBBY SAW
 - PLASTIC CEMENT
 - SPRAY PRIMER (WHITE)
 - SPRAY PAINT (LIGHT GRAY, NEUTRAL GRAY, ORANGE, INTERMEDIATE BLUE)
 - CLEAR SPRAY PRIMER (OPTIONAL)
 - WAX PAPER
 - PAINT PEN
 - SANDING BLOCK

5. ASSEMBLE AND ATTACH AIR INTAKES ...Continued from page 3

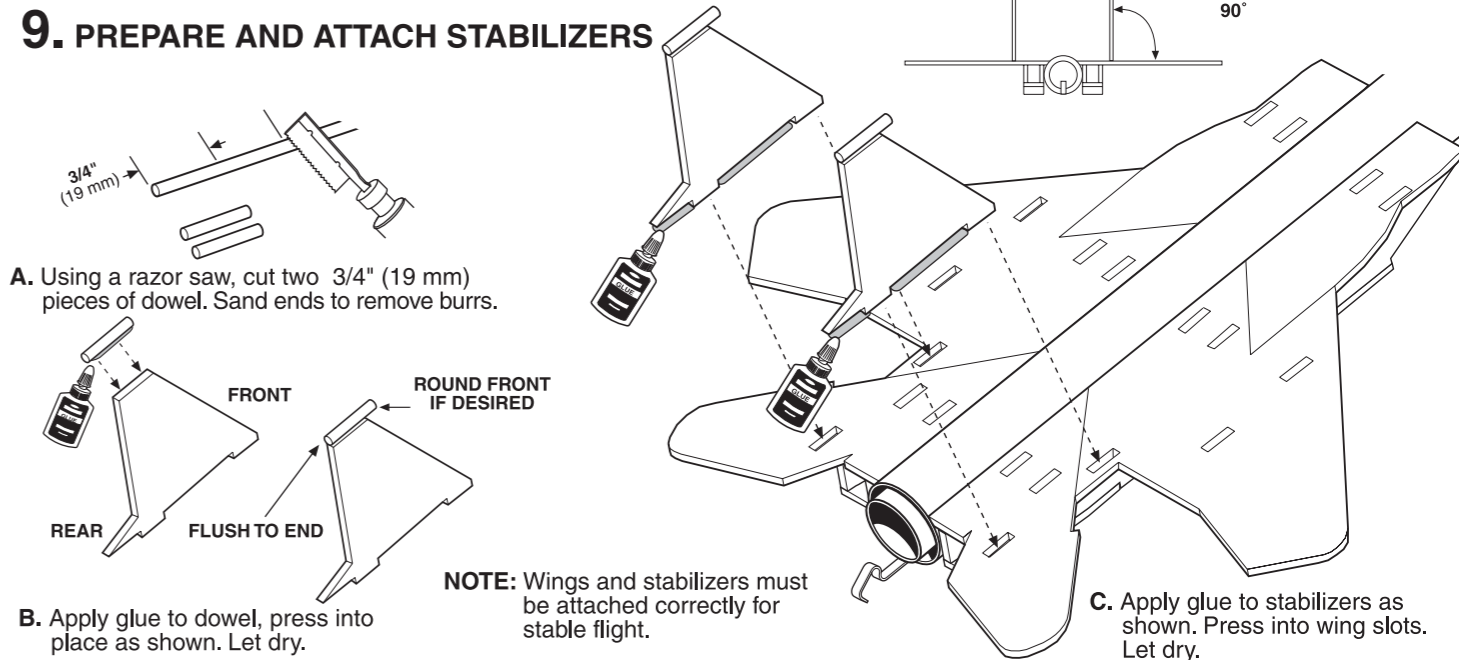
NOTE: MOUNTING TAB LOCATIONS



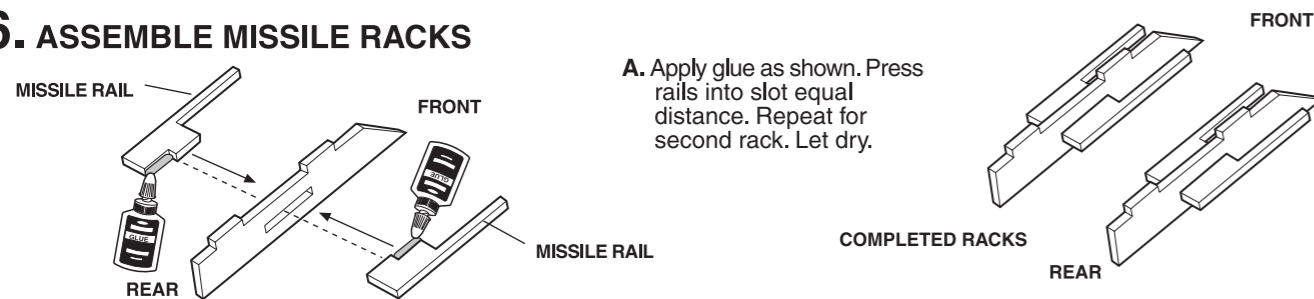
8. ATTACH WINGS / INTAKES



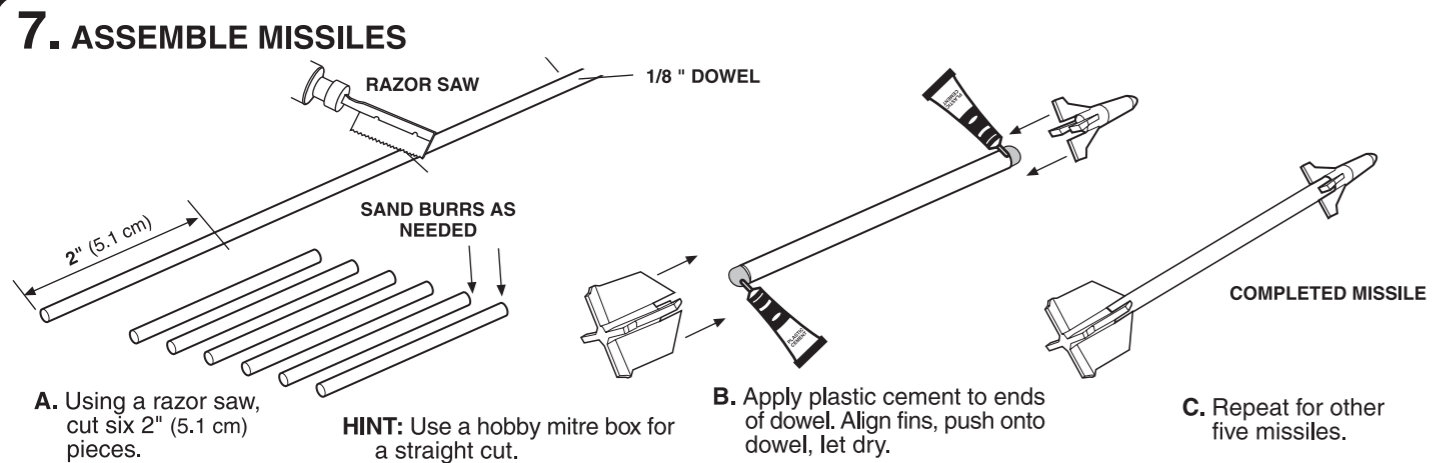
9. PREPARE AND ATTACH STABILIZERS



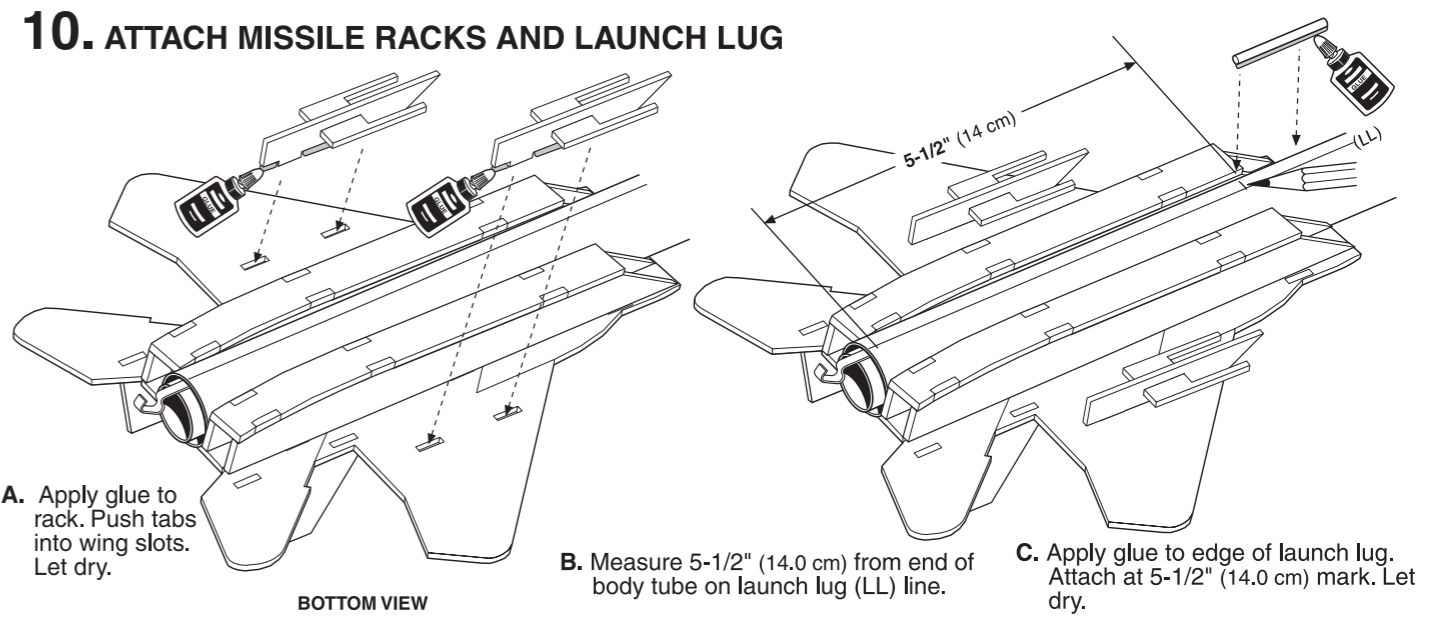
6. ASSEMBLE MISSILE RACKS



7. ASSEMBLE MISSILES



10. ATTACH MISSILE RACKS AND LAUNCH LUG



11. INSTALL NOSE WEIGHT

A. Form the clay weights into thin "snakes".

B. If necessary, enlarge hole in rear of nose cone with modeling knife to allow easier insertion of clay snakes.

C. Insert clay snakes into nose cone.

D. Pack clay snakes tightly into tip of nose cone using the end of a pencil. Use ALL the clay.

E. Using a modeling knife, remove excess flash and clean eyelet of the nose cone. **Caution:** Do not cut off eyelet.

4. ASSEMBLE WINGS

A. Fine sand all 4 balsa sheets, both sides.

B. Using a modeling knife, carefully remove wings. Do not cut off mounting tabs.

NOTE: Place a piece of wax paper on a flat surface prior to assembling balsa wing parts.

C. Line up balsa wing pieces as shown and glue left and right wing halves together as shown. Make sure all edges are aligned and straight. Check with straight edge. Place a sheet of wax paper on top of completed wing halves. Place a book on top and let dry completely.

D. Repeat for other wing. Let both wings dry completely.

E. Sand both wings smooth on both sides.

F. Position wings as shown. Carefully sand a 45° angle along the entire length of each wing. Check angles using the Beveled Edge Guide at right. Do not sand TOO MUCH material away.

NOTE: Wings will mount above center of body tube.

12. FINISHING YOUR ROCKET

A. Lightly sand all assembly joints (notch and slots).

B. Apply glue fillets to all joints, smooth with finger. Let dry.

C. First spray rocket with white primer. Let dry and sand. Repeat until rocket is smooth. Follow the paint scheme on the package, including the missiles as shown above.

D. When paint is completely dry, continue with steps below for applying water transfer decals.

E. Use the kit panel photo and above and below photos as a guide to apply decals.

F. To apply water transfer decal, cut out an individual section of the decal and dip in lukewarm water for about 10 seconds (one at a time).

G. When decal slides freely away from backing paper, slip it onto the model and position it in place.

H. Use a napkin or tissue to blot away any excess water. And allow the decal to dry completely.

I. Apply glue, and attach missiles as shown. (Follow views in step13 below.)

J. OPTIONAL: Clear coat entire rocket after paint dries and after decal placement.

PAINT TIP GOLD

WHITE

HINT: Use a paint pen to paint the tips.

5. ASSEMBLE AND ATTACH AIR INTAKES

A. Remove air intake parts from balsa sheet B and gently sand "nibs" flush. DO NOT cut or sand off mounting tabs.

DO NOT CUT OR SAND MOUNTING TABS.

13. ATTACH MISSILES

A. Apply glue along rail as shown. Place missile on edge of rail with fins oriented as shown in end view. Let dry completely before proceeding with remaining missiles.

B. Repeat for other side. Let dry.

MISSILE RAILS

BOTTOM VIEW

END VIEW

Continued on page 4...

1. MARKING BODY TUBE LINES

A. Cut out tube marking guide.

B. Wrap marking guide around BT-50 body tube and secure with tape. Mark at arrows for wings and launch lug (LL), then remove guide.

C. Using a door frame, extend all marks the entire length of body tube.

2. ASSEMBLE ENGINE MOUNT

A. Mark white engine mount tube at 1/4" (6 mm), 1" (25 mm), and 2-1/2" (6.4 cm) from one end.

B. Cut 1/8" (3 mm) slit at 2-1/2" (6.4 cm) mark.

C. Use scrap balsa to smear glue just short of the 2-1/2" mark (6.4 cm) inside engine mount tube.

D. Mark yellow spacer tool 1/4" (6 mm) from end.

E. Push engine block into engine mount tube with spacer tool up to 1/4" (6 mm) mark. **Remove spacer tool immediately.**

F. Insert engine hook.

G. Sand inside edges of both green adapter rings as needed.

H. Apply a ring of glue just past the 1" (25 mm) mark. Slide ring onto tube down to the 1" (25 mm) mark. Apply a ring of glue just past the 2-1/2" (6.4 cm) mark. Slide the other green adapter ring onto tube down to the 2-1/2" (6.4 cm) mark. Apply glue fillets to both sides of rings. Let dry completely.

3. INSERT ENGINE MOUNT

A. Using a piece of scrap balsa smear glue inside BT-50 body tube 2-1/4" (5.7 cm) from end.

B. Align engine hook with launch lug line (LL). Push engine mount into body tube to the 1/4" (6 mm) mark. Let dry.

14. INSTALL SHOCK CORD MOUNT

A. Cut out shock cord mount from Page 5.

B. Fold.

C. Apply glue. Fold forward.

D. Apply glue. Fold forward.

E. Squeeze tightly and hold for one minute.

F. Glue mount 1" (25 mm) inside front of body tube. Hold until glue sets. Let dry.

YES (Correct placement)

NO (Incorrect placement)

15. ATTACH PARACHUTE AND SHOCK CORD

A. Pass shroud lines through eyelet.

B. Form a loop with shroud lines.

C. Pass parachute through loop.

D. Tie shock cord to nose cone using a double knot.

PULL TIGHT

DOUBLE KNOT

HELPFUL HINT: IF NOSE CONE FIT IS...

- TOO LOOSE:** ADD MASKING TAPE.
- TOO TIGHT:** SAND FOR FIT.

16. PREPARE PARACHUTE FOR FLIGHT

A. Insert 3-4 squares of loosely crumpled recovery wadding into rocket.

B. Spike parachute.

C. Fold.

D. Roll.

E. Wrap shroud lines loosely. Insert 'chute, shock cord and nose cone into body tube.

IMPORTANT: Parachute should slide easily into body. If fit is too tight, unfold and repack again.

NOTE: Only Estes wadding (302274) recommended.

PREPARE ENGINE

WARNING: FLAMMABLE

To avoid serious injury, read instructions & NAR Safety Code included with engines. **PREPARE ENGINE ONLY WHEN YOU ARE OUTSIDE AT THE LAUNCH SITE PREPARING TO LAUNCH!** If you do not use your prepared engine, remove the igniter before storing engine.

A. Separate igniter and plug.

B. Insert igniter.

C. Insert plug.

D. Push down.

E. Gently bend igniters to form leads as shown.

E. Insert engine into rocket.

IGNITER MUST TOUCH PROPELLANT!