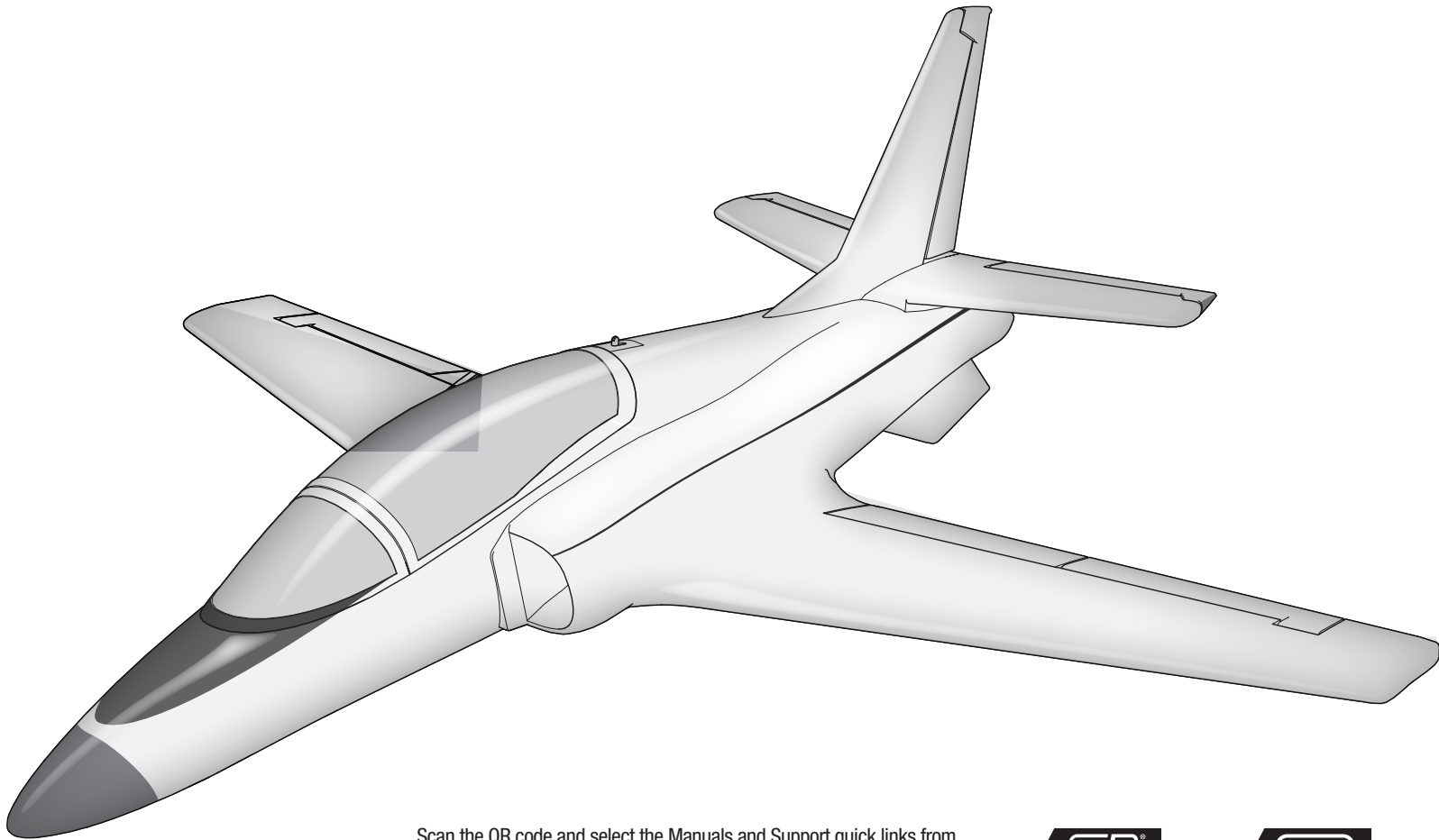


# Viper 90mm EDF



Scan the QR code and select the Manuals and Support quick links from the product page for the most up-to-date manual information.

Scannen Sie den QR-Code und wählen Sie auf der Produktseite die Quicklinks Handbücher und Unterstützung, um die aktuellsten Informationen zu Handbücher.

Scannez le code QR et sélectionnez les liens rapides Manuals and Support sur la page du produit pour obtenir les informations les plus récentes sur le manuel.

Scannerizzare il codice QR e selezionare i Link veloci Manuali e Supporto dalla pagina del prodotto per le informazioni manuali più aggiornate.



EFL17750



EFL17770

**Instruction Manual**  
**Bedienungsanleitung**  
**Manuel d'utilisation**  
**Manuale di Istruzioni**

## NOTICE

All instructions, warranties and other collateral documents are subject to change at the sole discretion of Horizon Hobby, LLC. For up-to-date product literature, visit [horizonhobby.com](http://horizonhobby.com) or [towerhobbies.com](http://towerhobbies.com) and click on the support or resources tab for this product.

## MEANING OF SPECIAL LANGUAGE

The following terms are used throughout the product literature to indicate various levels of potential harm when operating this product:

**WARNING:** Procedures, which if not properly followed, create the probability of property damage, collateral damage, and serious injury OR create a high probability of superficial injury.

**CAUTION:** Procedures, which if not properly followed, create the probability of physical property damage AND a possibility of serious injury.

**NOTICE:** Procedures, which if not properly followed, create a possibility of physical property damage AND little or no possibility of injury.



**WARNING:** Read the ENTIRE instruction manual to become familiar with the features of the product before operating. Failure to operate the product correctly can result in damage to the product, personal property and cause serious injury.

This is a sophisticated hobby product. It must be operated with caution and common sense and requires some basic mechanical ability. Failure to operate this Product in a safe and responsible manner could result in injury or damage to the product or other property. This product is not intended for use by children without direct adult supervision. Do not use with incompatible components or alter this product in any way outside of the instructions provided by Horizon Hobby, LLC. This manual contains instructions for safety, operation and maintenance. It is essential to read and follow all the instructions and warnings in the manual, prior to assembly, setup or use, in order to operate correctly and avoid damage or serious injury.

**AGE RECOMMENDATION: Not for children under 14 years. This is not a toy.**

## Safety Precautions and Warnings

As the user of this product, you are solely responsible for operating in a manner that does not endanger yourself and others or result in damage to the product or the property of others.

- Always keep a safe distance in all directions around your model to avoid collisions or injury. This model is controlled by a radio signal subject to interference from many sources outside your control. Interference can cause momentary loss of control.
- Always operate your model in open spaces away from full-size vehicles, traffic and people.
- Always carefully follow the directions and warnings for this and any optional support equipment (chargers, rechargeable battery packs, etc.).
- Always keep all chemicals, small parts and anything electrical out of the reach of children.
- Always avoid water exposure to all equipment not specifically designed and protected for this purpose. Moisture causes damage to electronics.
- Never place any portion of the model in your mouth as it could cause serious injury or even death.
- Never operate your model with low transmitter batteries.
- Always keep aircraft in sight and under control.
- Always use fully charged batteries.
- Always keep transmitter powered on while aircraft is powered.
- Always remove batteries before disassembly.
- Always keep moving parts clean.
- Always keep parts dry.
- Always let parts cool after use before touching.
- Always remove batteries after use.
- Always ensure failsafe is properly set before flying.
- Never operate aircraft with damaged wiring.
- Never touch moving parts.

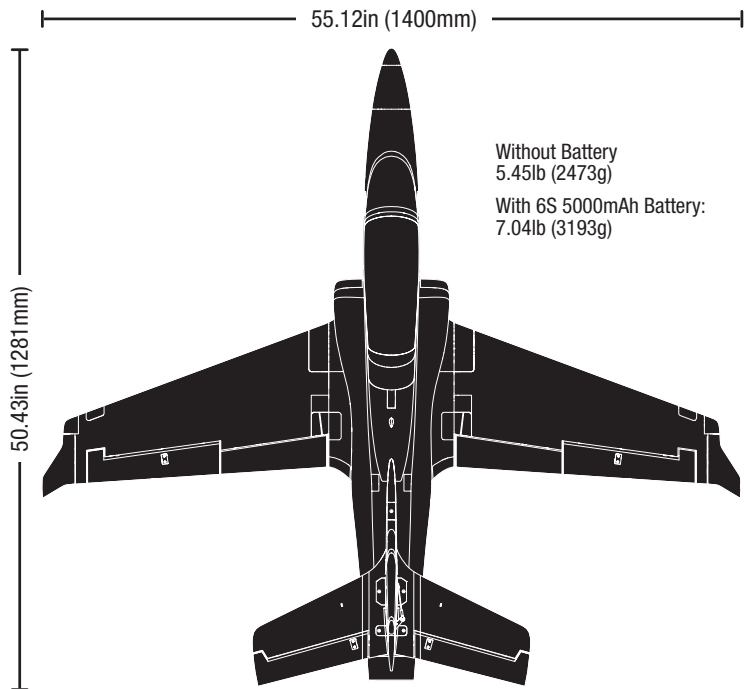


**WARNING AGAINST COUNTERFEIT PRODUCTS:** If you ever need to replace your Spektrum receiver found in a Horizon Hobby product, always purchase from Horizon Hobby, LLC or a Horizon Hobby authorized dealer to ensure authentic high-quality Spektrum product. Horizon Hobby, LLC disclaims all support and warranty with regards, but not limited to, compatibility and performance of counterfeit products or products claiming compatibility with DSM or Spektrum technology.

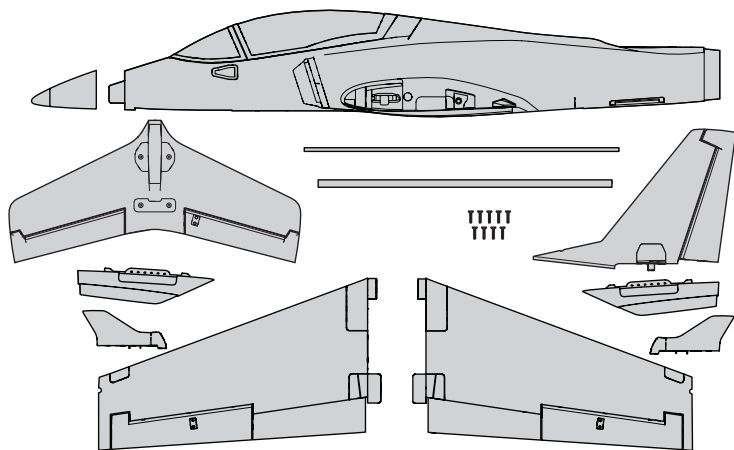
Quick Start Information			
<b>Transmitter Setup</b>	Set up your transmitter using the transmitter setup chart		
<b>Dual Rates</b>		<b>Low Rate</b>	<b>High Rate</b>
	<b>Aileron:</b> Measured at the inboard end	▲ = 11mm ▼ = 11mm	▲ = 16mm ▼ = 16mm
	<b>Elevator:</b> Measured at the inboard end	▲ = 10mm ▼ = 10mm	▲ = 14mm ▼ = 14mm
	<b>Rudder:</b> Measured at the base of the rudder	▶ = 19mm ◀ = 19mm	▶ = 25mm ◀ = 25mm
<b>Center of Gravity (CG)</b>	10mm (± 7mm) from the back edge of the front plastic wing mounting structure		
<b>Flight Timer Setting</b>	3.5 minutes		

## Specifications

	<b>BNF BASIC</b>	<b>ARF Plus</b>
<b>Motor:</b> 3670–1950Kv Brushless Inrunner 4-pole (SPMXAM1400)	Installed	Required
<b>ESC:</b> Avian™ 130 Amp Brushless Smart ESC (SPMXAE1130A)	Installed	Required
<b>Servos:</b> Aileron: (2) Spektrum SPMSA450; Left Elevator: (1) Spektrum SPMSA450; Right Elevator: (1) Spektrum SPMSA450R; Rudder: (1) Spektrum SPMSA450R; Nose Wheel Steering: (1) Spektrum SPMSA450	Installed	Installed
<b>Receiver:</b> Spektrum™ AR637TA 6-Channel AS3X/SAFE Telemetry Receiver (SPMAR637T)	Installed	Required
<b>Recommended Battery:</b> 6S 22.2V 5000mAh 30C	Required	Required
<b>Recommended Battery Charger:</b> 6-cell Li-Po battery balancing charger	Required	Required
<b>Recommended Transmitter:</b> Full range 6-channel 2.4GHz w/ Spektrum DSM2/DSMX® technology w/ adjustable Dual Rates	Required	Required



## Box Contents



## Table of Contents

SAFE® Select Technology ( <i>BNF Basic</i> ) .....	4
Preflight.....	4
Model Assembly .....	4
Receiver Installation ( <i>ARF Plus</i> ).....	6
Transmitter Setup ( <i>BNF Basic</i> ) .....	6
Battery Installation and ESC Arming .....	7
Center of Gravity .....	7
General Binding Tips and Failsafe .....	8
Transmitter and Receiver Binding / Enable or Disable SAFE Select ( <i>BNF Basic</i> ) .....	8
SAFE® Select Switch Designation.....	9
Control Surface Centering .....	9
Control Surface Direction .....	10
Control Horn and Servo Arm Settings .....	10
Dual Rates and Control Throws .....	11
AS3X Control Response Test ( <i>BNF Basic</i> ) .....	11
In Flight Trimming ( <i>BNF Basic</i> ) .....	11
Flying Tips and Repairs .....	12
SAFE Select Flying Tips.....	12
Power System Installation and Service.....	13
Post Flight.....	13
Troubleshooting Guide AS3X .....	14
Troubleshooting Guide .....	14
Replacement Parts.....	15
Recommended Parts.....	15
Optional Parts .....	15
Recommended Receivers ( <i>ARF Plus</i> ).....	15
AMA National Model Aircraft Safety Code .....	16
Limited Warranty .....	16
Contact Information .....	17
FCC Information .....	17
IC Information .....	17
Compliance Information for the European Union.....	17

If you own this product, you may be required to register with the FAA. For up-to-date information on how to register with the FAA, please visit <https://registermyuas.faa.gov/>. For additional assistance on regulations and guidance on UAS usage, visit [knowbeforeyoufly.org/](http://knowbeforeyoufly.org/).

## SAFE® Select Technology (BNF Basic)

The BNF Basic version of this airplane includes SAFE Select technology which can offer an extra level of protection in flight. Use the following instructions to make the SAFE Select system active and assign it to a switch. When enabled, SAFE Select prevents the airplane from banking or pitching past predetermined limits, and automatic self-leveling keeps the airplane flying in a straight and level attitude when the aileron, elevator and rudder sticks are at neutral.

SAFE Select is enabled or disabled during the bind process, or it can be enabled via Forward Programming. When the airplane is bound with SAFE Select enabled, a switch can be assigned to toggle SAFE Select ON or OFF. AS3X® technology remains active at all times.

SAFE Select can be configured three ways:

- SAFE Select Off: Always in AS3X mode
- SAFE Select On with no switch assigned: Always in SAFE Select mode
- SAFE Select On with a switch assigned

## Preflight

1. Remove and inspect contents.

2. Read this instruction manual thoroughly.

3. Charge the flight battery.

4. Setup the transmitter using the transmitter setup chart.

5. Fully assemble the airplane.

6. Install the flight battery in the aircraft (once it has been fully charged).

7. Check the Center of Gravity (CG).

8. Bind the aircraft to your transmitter.

9. Make sure the linkages move freely.

10. Test the flap and retract operation.

11. Perform the Control Direction Test with the transmitter.

12. Perform the AS3X Control Direction Test with the aircraft.

13. Adjust the flight controls and transmitter.

14. Perform a radio system Range Test.

15. Find a safe open area to fly.

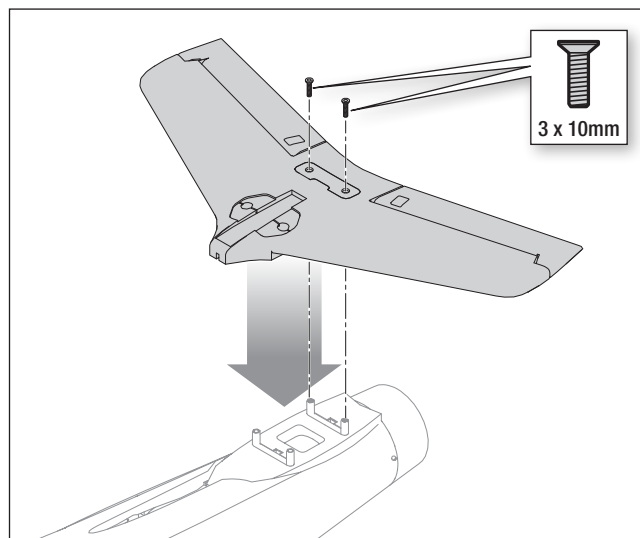
16. Plan flight for flying field conditions.

## Model Assembly

### Horizontal Stabilizer Installation

1. Connect both elevator servo connectors to the extensions in the fuselage labeled ELEV. Feed the excess servo wire into the fuselage.
2. Press the horizontal stabilizer onto the four stabilizer posts on the fuselage, ensuring no servo wires are pinched.
3. Insert two 3 x 10 mm screws through the horizontal stabilizer and into the rear holes in the fuselage.

**TIP:** A 2.0mm hex wrench required. Do not over tighten the screws.

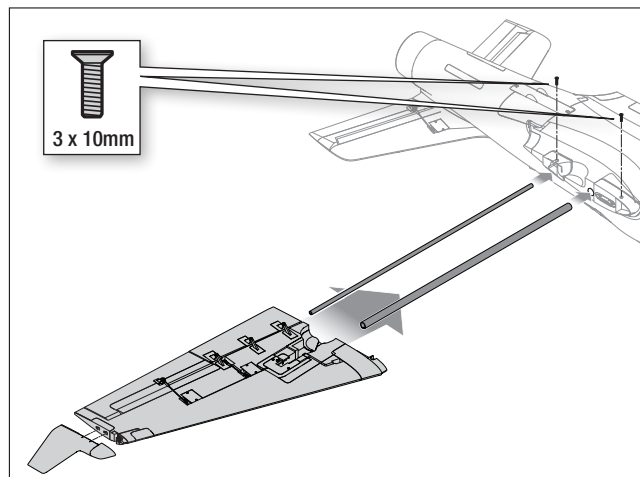


### Wing Installation

1. Turn the fuselage over.
2. Insert the shorter wing tube (530 mm x 12.6 mm) in the forward hole of the fuselage.
3. Insert the longer wing tube (580 mm x 7.8 mm) in the rear hole of the fuselage.
4. Slide the left wing panel into place on the wing tubes, ensuring the hands-free connectors align and fully seat with one another.
5. Secure the wing to the fuselage with two 3 x 10 mm screws.

**TIP:** A 2.0mm hex wrench required. Do not over tighten the screws.

Repeat this process for the right wing panel.



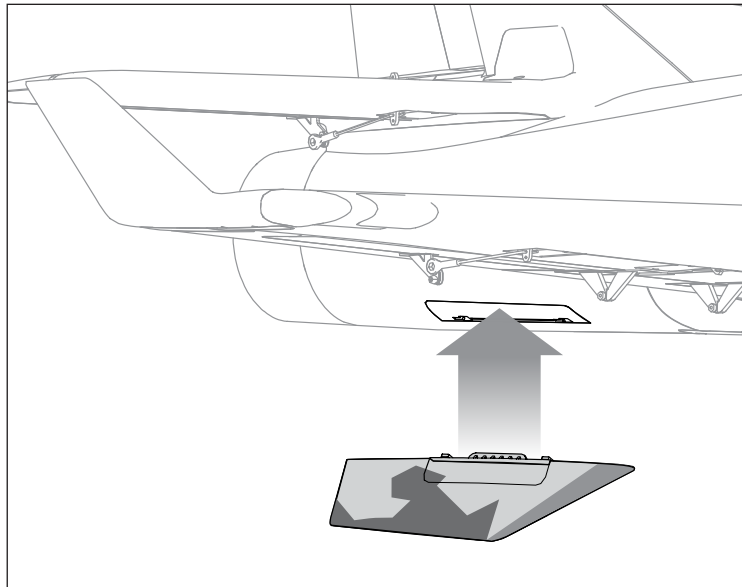


## Ventral Fin Installation

1. Fit the left ventral fin into the fuselage and slide aft to secure.

**TIP:** The gray side should face in, and the detailed side should face out.

2. Fit the right ventral fin into the fuselage and slide aft to secure.



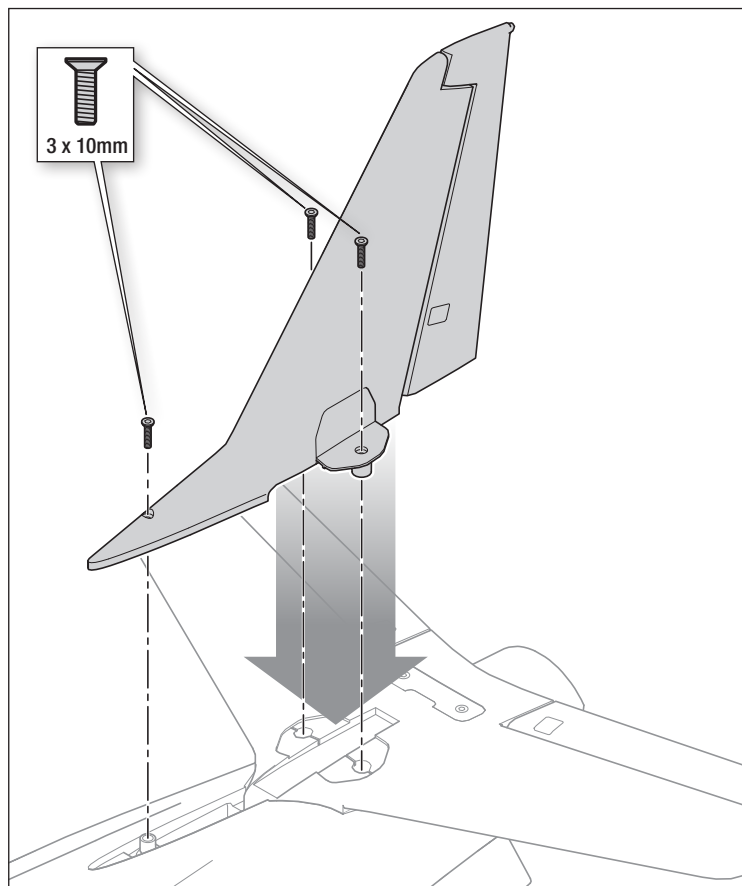
## Vertical Stabilizer Installation

1. Connect the rudder servo connector to the extension in the fuselage labeled RUDD. Feed the excess servo wire into the fuselage.

2. Press the vertical stabilizer into the slot in the horizontal stabilizer and the fuselage, ensuring no servo wires are pinched.

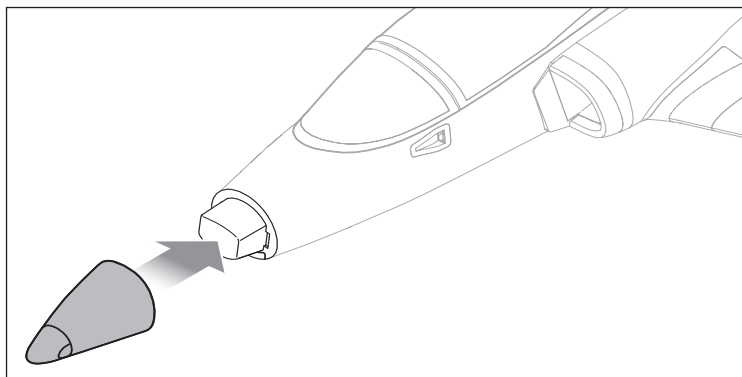
3. Insert three 3 x 10 mm screws through the vertical stabilizer and into the fuselage.

**TIP:** A 2.0mm hex wrench required. Do not over tighten the screws.



## Nose Cone Installation

Align and attach the nose cone to the fuselage. Magnets will secure the nose cone in place.



## Receiver Installation (ARF Plus)

The Spektrum AR637T receiver is recommended for this airplane. If you choose to install another receiver, ensure that it is at least a 6-channel full range (sport) receiver. Refer to your receiver manual for correct installation and operation instructions.

### Installation (AR637T shown)

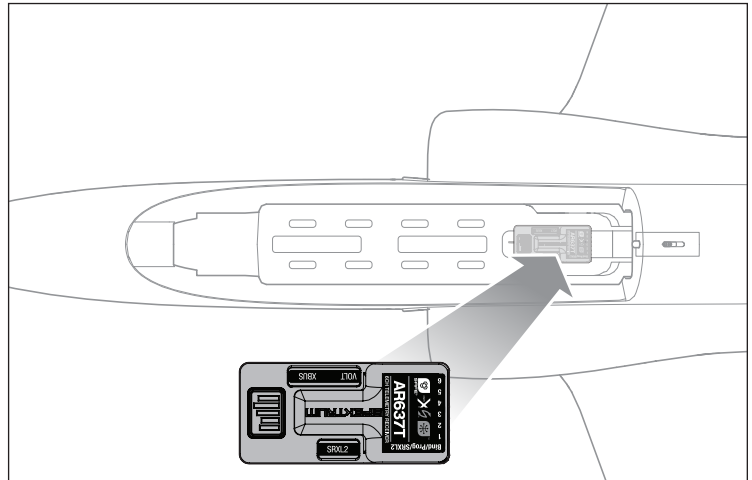
1. Mount the receiver parallel to the length of the fuselage as shown. Use heavy duty double-sided servo tape.

**NOTICE:** Incorrect installation of the receiver could cause a crash.

2. Attach the appropriate control surfaces to their respective ports on the receiver using the chart in the illustration.

### AR637 Port Assignments

**BND/PRG = BIND      4 = Rudder**  
**1 = Throttle          5 = Retracts**  
**2 = Ailerons          6 = Flap**  
**3 = Elevator**



## Transmitter Setup (BNF Basic)

**IMPORTANT:** After you set up your model, always rebind the transmitter and receiver to set the desired failsafe positions.

The GEAR Channel (CH 5) controls the retractable landing gear. If you are using a 6 channel transmitter, The FLAP Channel (CH 6) can be used to toggle SAFE Select. With the values listed below it will turn SAFE on for half and full flap positions and AS3X will be on for no flaps position.

To use the flap channel for the SAFE Select the values must be set to +100 and -100 and the speed set to 0 temporarily to assign the safe switch in the flap system menu. Then change the flap systems values back to the listing in the TX setup. See the SAFE Select Switch Designation section of this manual to assign the switch for SAFE Select.

### Dual Rates

**Attempt your first flights in low rate. For landings, use high rate elevator.**

**NOTICE:** To ensure AS3X technology functions properly, do not lower rate values below 50%. If less control deflection is desired, manually adjust the position of the pushrods on the servo arm

**NOTICE:** If oscillation occurs at high speed, refer to the Troubleshooting Guide for more information.

### Exponential

After first flights, you may adjust expo in your transmitter.

\*Some of the terminology and function locations used in the iX12 and iX20 programming may be slightly different than other Spektrum AirWare™ radios. The names given in parentheses correspond to the iX12 and iX20 programming terminology. Consult your transmitter manual for specific information about programming your transmitter.

**\*Flap programming values may vary slightly. For your initial flights use the recommended flap travel settings, and adjust the flap travel to your preference on subsequent flights.**

### Computerized Transmitter Setup

Start all transmitter programming with a blank ACRO model (perform a model reset), then name the model.

Set Dual Rates to	HIGH 100%	LOW 70%
Set Servo Travel to	100%	
Set Throttle Cut to	-100%	
Set Retract Channel to	Reverse	
Set Aileron Expo to	High Rate 10%	Low Rate 5%
Set Elevator Expo to	High Rate 10%	Low Rate 5%
Set Rudder Expo to	High Rate 10%	Low Rate 5%
DXS	Refer to spektrumrc.com for the appropriate download setup.	
DX7S DX8	1. Go to the SYSTEM SETUP	
	2. Set MODEL TYPE: AIRPLANE	
	3. Set WING TYPE: 1 AIL; 1 FLP	
	4. Set FLAP SYSTEM: Choose Flap POS 0:    100% FLAP*      0% ELEVATOR POS 1:    0% FLAP*        -3% ELEVATOR POS 2:   -100% FLAP*      -5% ELEVATOR Switch: SWITCH D Speed: 2.0S	
DX6e DX6 (Gen2) DX7 (Gen2) DX8e DX8 (Gen2) DX9 DX10t DX18 DX20 iX12 iX20 NX6 NX8 NX10	1. Go to the SYSTEM SETUP (Model Utilities) <sup>†</sup>	
	2. Set MODEL TYPE: AIRPLANE	
	3. Set AIRCRAFT TYPE (Model Setup, Aircraft Type) <sup>†</sup> : WING: 1 AIL; 1 FLP	
	4. Set CHANNEL ASSIGN (Model Setup, Channel Assign) <sup>†</sup> : (Default switch assignments with a new model setup) Gear (CH5): SWITCH A	
5. Set FLAP SYSTEM: Switch: SWITCH D POS 0:    100% FLAP*      0% ELEVATOR POS 1:    0% FLAP*        -3% ELEVATOR POS 2:   -100% FLAP*      -5% ELEVATOR Speed: 2.0S		

## Battery Installation and ESC Arming

### Battery Selection

A 6S 4000–7000mAh LiPo battery is required. The Spektrum 5000mAh 22.2V 6S 30C LiPo battery (SPMX50006S30) is recommended. Refer to the Optional Parts List for other recommended batteries. If using a battery other than those listed, the battery should be within the range of capacity, dimensions and weight of the Spektrum Li-Po battery packs to fit in the fuselage. Be sure the model balances within the recommended CG range before flying.

1. Lower the throttle and throttle trim to the lowest settings. Power on the transmitter, then wait 5 seconds.
2. Remove the battery hatch.
3. For added security, apply the loop side (soft side) of the optional hook and loop tape to the bottom of your battery, and the hook side to the battery tray.
4. Install the fully charged battery in the center of the battery compartment as shown. Secure using the hook and loop straps.
5. Connect the battery to the ESC. If you have not completed the bind sequence, do so at this time as outlined in this manual.

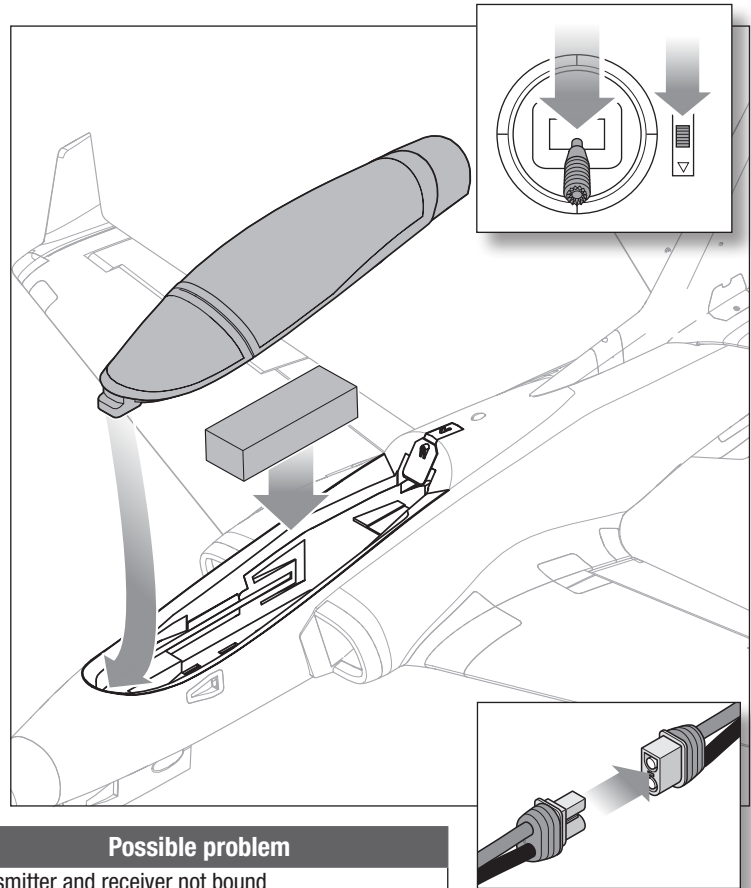
**CAUTION:** Always keep hands and loose items away from the fan intake. When armed, the motor will turn the rotor in response to any throttle movement.

6. Keep the aircraft immobile and away from wind or the system will not initialize.
  - The motor will emit a series of rising tones when the battery is connected, and then 6 even tones indicating the number of cells connected.
  - An LED will light on the receiver when it is initialized
7. Reinstall the battery hatch.

### ESC Tones

If the ESC sounds a continuous double beep after the flight battery is connected, recharge or replace the battery.

ESC Error Tones	Tone Meaning	Possible problem
Continuous slow single tones	Abnormal throttle signal	Transmitter and receiver not bound Throttle lead damaged or not plugged into receiver Throttle lead plugged into receiver backward
Continuous rapid single tones	Throttle signal not at low position	Throttle stick not at low position Throttle travel reduced below 100% Throttle reversed Throttle trim raised
Continuous double tones	Battery voltage is beyond acceptable range	Verify battery is a 22.2V 6-cell LiPo Verify battery is fully charged

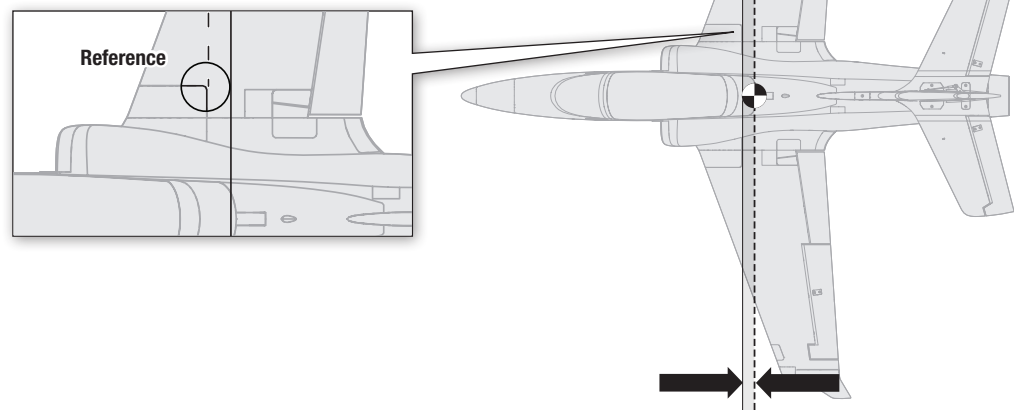


## Center of Gravity

**WARNING:** Install the battery but do not connect it to the ESC while checking the CG. Personal injury may result.

The CG location is 10mm ( $\pm 7$ mm) from the back edge of the front plastic wing mounting structure. **Always check the CG location with model inverted, and the landing gear down.**

The CG location is adjusted by moving the battery pack forward or backward in the battery compartment.



## General Binding Tips and Failsafe

- The included receiver has been specifically programmed for operation of this aircraft. Refer to the receiver manual for correct setup if the receiver is replaced.
- Keep away from large metal objects while binding.
- Do not point the transmitter's antenna directly at the receiver while binding.
- The orange LED on the receiver will flash rapidly when the receiver enters bind mode.
- Once bound, the receiver will retain its bind settings for that transmitter until you re-bind.
- If the receiver loses transmitter communication, the failsafe will activate. Failsafe moves the throttle channel to low throttle. Pitch and roll channels move to actively stabilize the aircraft in a descending turn.
- If problems occur, refer to the troubleshooting guide or if needed, contact the appropriate Horizon Product Support office.

## Transmitter and Receiver Binding / Enable or Disable SAFE Select (BNF Basic)

The BNF Basic version of this airplane includes SAFE Select technology, enabling you to choose the level of flight protection. SAFE mode includes angle limits and automatic self leveling. AS3X mode provides the pilot with a direct response to the control sticks. SAFE Select is enabled or disabled during the bind process. With SAFE Select disabled the aircraft is always in AS3X mode. With SAFE Select enabled the aircraft will be in SAFE Select mode all the time, or you can assign a switch to toggle between SAFE Select and AS3X modes.

Thanks to SAFE Select technology, this aircraft can be configured for full-time SAFE mode, full-time AS3X mode, or mode selection can be assigned to a switch.

**IMPORTANT:** Before binding, read the transmitter setup section in this manual and complete the transmitter setup table to ensure your transmitter is properly programmed for this aircraft.

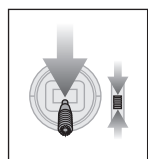
**IMPORTANT:** Move the transmitter flight controls (rudder, elevators, and ailerons) and the throttle trim to neutral. Move the throttle to low before and during binding. This process defines the failsafe settings.

You can use either the **bind button** on the receiver case **OR** a conventional **bind plug** to complete the binding and SAFE Select process.

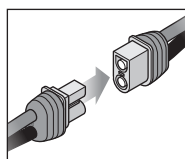
**SAFE can also be enabled via Forward Programming.**

### Using The Bind Button...

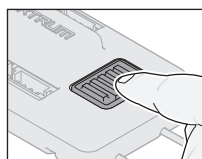
#### To Enable SAFE Select



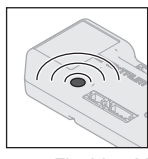
Lower Throttle



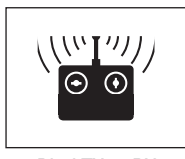
Connect Power



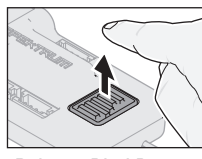
Press and hold Bind Button



Orange Flashing LED



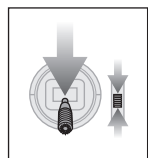
Bind TX to RX



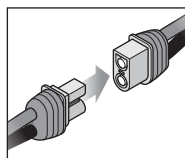
Release Bind Button

**SAFE SELECT ENABLED:** The control surfaces cycle back and forth **twice** with a slight pause at neutral position every time the receiver is powered on.

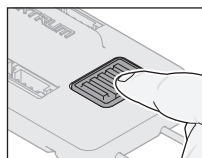
#### To Disable SAFE Select



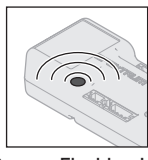
Lower Throttle



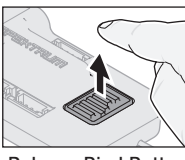
Connect Power



Press and hold Bind Button



Orange Flashing LED



Release Bind Button

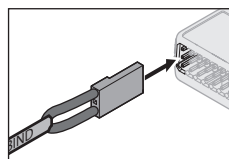


Bind TX to RX

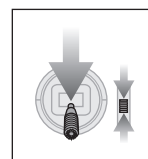
**SAFE SELECT DISABLED:** The control surfaces cycle back and forth **once** every time the receiver is powered on.

### Using The Bind Plug...

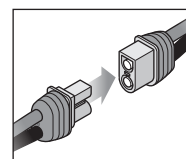
#### To Enable SAFE Select



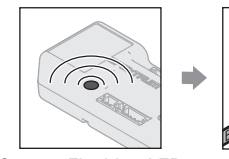
Install Bind Plug



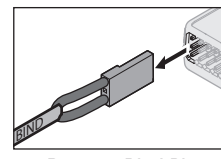
Lower Throttle



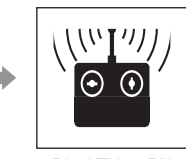
Connect Power



Orange Flashing LED



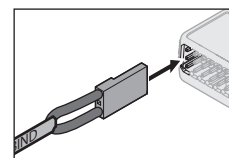
Remove Bind Plug



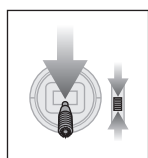
Bind TX to RX

**SAFE SELECT ENABLED:** The control surfaces cycle back and forth **twice** with a slight pause at neutral position every time the receiver is powered on.

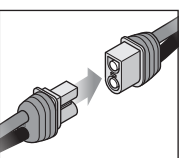
#### To Disable SAFE Select



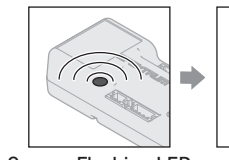
Install Bind Plug



Lower Throttle



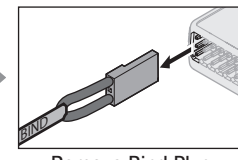
Connect Power



Orange Flashing LED



Bind TX to RX



Remove Bind Plug

**SAFE SELECT DISABLED:** The control surfaces cycle back and forth **once** every time the receiver is powered on.

## SAFE® Select Switch Designation

SAFE® Select technology can be assigned to any open switch (2 or 3 position) controlling a channel (5–9) on your transmitter. Once assigned to a switch, SAFE select ON gives you the flexibility to choose SAFE technology or AS3X mode while in flight. If the aircraft is bound with SAFE select OFF, the aircraft will be in AS3X mode exclusively.

**IMPORTANT:** Before assigning your desired switch, ensure that the travel for that channel is set at 100% in both directions and the aileron, elevator, rudder and throttle are all on high rate with the travel at 100%.

**CAUTION:** Keep all body parts well clear of the rotor and keep the aircraft securely restrained in case of accidental throttle activation.

**TIP:** SAFE Select is assignable on any unused channels 5–9. See your transmitter manual for more information about assigning a switch to a channel.

**TIP:** Use your radio channel monitor to confirm that the four primary channels are showing 100% travel while assigning the switch.

**TIP:** Use the channel monitor to make sure the switch you are assigning for SAFE Select is active and driving a channel between 5-9 and that it is traveling 100% in each direction.

**TIP:** Make sure your four primary channels are not reversed if you are having trouble assigning a SAFE Select switch.

## Control Surface Centering

After assembly and transmitter setup, confirm that the control surfaces are centered. The model must be powered up and bound to the transmitter in AS3X mode, with the throttle left at zero. When enabled, SAFE mode is active at power up. AS3X mode is activated when the throttle is raised above 25% for the first time after being powered on. It is normal for the control surfaces to respond to aircraft movement if the aircraft is in AS3X or SAFE modes.

1. Verify the trims and subtrims on your transmitter are zero
2. Power up the model in AS3X mode and leave the throttle at zero

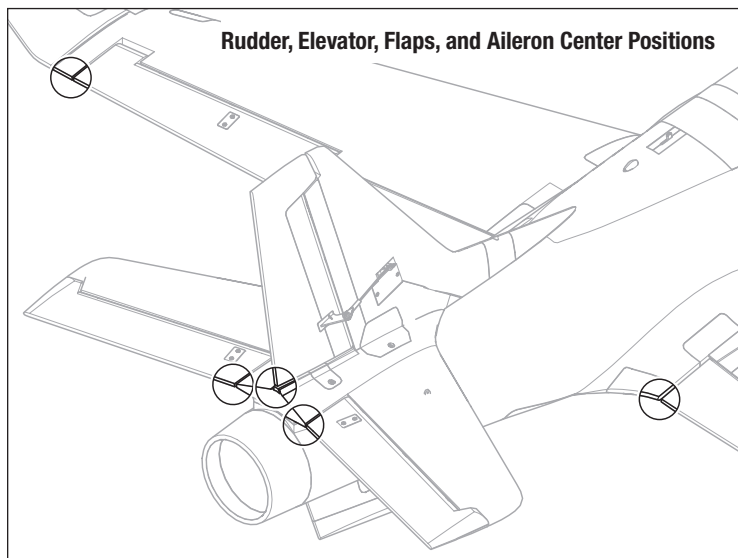
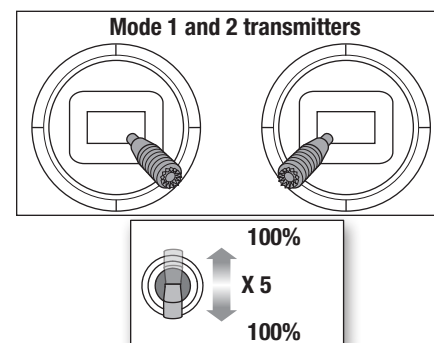
**NOTICE:** Be aware of the pushrod bottoming out in the ball linkage. Do not thread the pushrod too far into the ball link or the pushrod will damage the ball link and protrude into the area needed for the control ball.

3. Center the rudder with the bottom of the vertical stabilizer. If adjustment is required, turn the ball link on the linkage to change the length between the servo arm and the control horn until the rudder is straight.
4. Center the ailerons by aligning the outboard end of the aileron with the trailing edge of the wing. Adjust the linkage length as in step 3 as necessary.
5. Center the elevators with the inside portion of the horizontal stabilizer trailing edge. Adjust the linkage length as in step 3 as necessary.
6. Center the flaps by aligning the inboard end of the flaps with the wing fillet of the fuselage. Adjust the linkage length as in step 3 as necessary.

### Assigning a switch

1. Bind the aircraft to choose SAFE Select ON. This will allow the system to be assigned to a switch.
2. Hold both transmitter sticks to the inside bottom corners and toggle the desired switch 5 times (1 toggle = full up and down) to assign that switch. The control surfaces of the aircraft will move, indicating the switch has been selected.

Repeat the process to assign a different switch or to deactivate the current switch if desired.



## Control Surface Direction

Switch on the transmitter and connect the battery. Use the transmitter to operate the aileron, elevator, and rudder controls. View the aircraft from the rear when checking the control directions.

### Ailerons

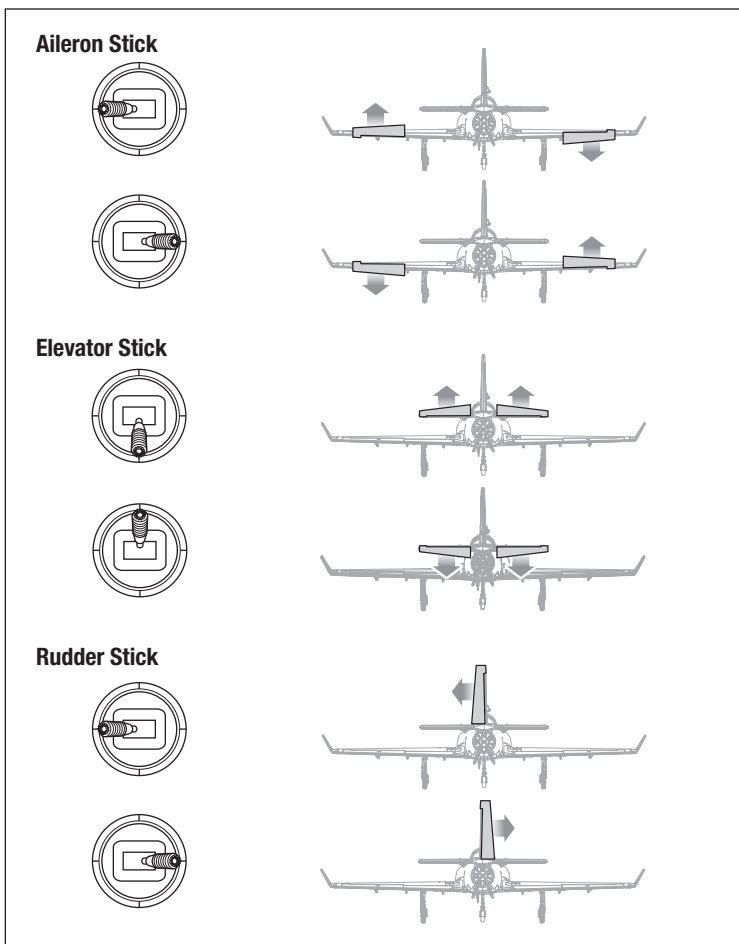
1. Move the aileron stick to the left. The right aileron should move down and the left aileron up, which will cause the aircraft to bank left.
2. Move the aileron stick to the right. The right aileron should move up and the left aileron down, which will cause the aircraft to bank right.

### Elevators

3. Pull the elevator stick back. The elevators should move up, which will cause the aircraft to pitch up.
4. Push the elevator stick forward. The elevators should move down, which will cause the aircraft to pitch down.

### Rudder

5. Move the rudder stick to the left. The rudder and the nose wheel should move to the left, which will cause the aircraft to yaw left.
6. Move the rudder stick to the right. The rudder and the nose wheel should move to the right, which will cause the aircraft to yaw right.



## Control Horn and Servo Arm Settings

The table to the right shows the factory settings for the control horns and servo arms. Fly the aircraft at factory settings before making changes.

**NOTICE:** If control throws are changed from the factory settings, the AR637TA gain values may need to be adjusted. Refer to the Spektrum AR637TA manual for adjustment of gain values.

After flying, you may choose to adjust the linkage positions for the desired control response. See the table to the right.

Factory Setting	Control Horns	Servo Arms
Elevator		
Rudder		
Aileron		
Flap		
Nose Wheel Steering		

Tuning	Control Horns	Servo Arms
More control throw		
Less control throw		



## Dual Rates and Control Throws

Program your transmitter to set the rates and control throws based on your experience level. These values have been tested and are a good starting point to achieve a successful first flight.

After flying, you may choose to adjust the values for the desired control response.

	Low Rate	High Rate
<b>Aileron</b>	11mm (7/16") ▲ 11mm (7/16") ▼	16mm (5/8") ▲ 16mm (5/8") ▼
<b>Elevator</b>	10mm (3/8") ▲ 10mm (3/8") ▼	14mm (9/16") ▲ 14mm (9/16") ▼
<b>Rudder</b>	19mm (3/4") ◀▶	25mm (1") ◀▶

## AS3X Control Response Test (BNF Basic)

This test ensures that the AS3X control system is functioning properly. Assemble the aircraft and bind your transmitter to the receiver before performing this test.

1. Raise the throttle to any setting above 25%, then lower the throttle to activate AS3X technology.

**CAUTION:** Keep all body parts, hair and loose clothing away from the fan intake, as these items could become entangled.

2. Move the entire aircraft as shown and ensure the control surfaces move in the direction indicated in the graphic. If the control surfaces do not respond as shown, do not fly the aircraft. Refer to the receiver manual for more information.

Once the AS3X system is active, control surfaces may move rapidly. This is normal. AS3X remains active until the battery is disconnected.

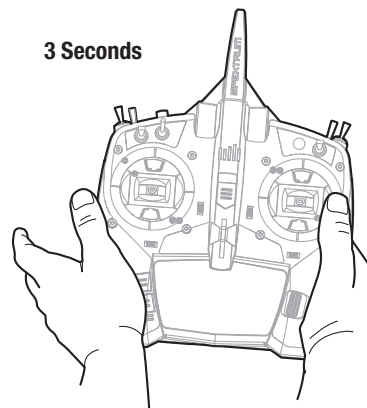
	Aircraft movement	AS3X Reaction
Pitch		
Roll		
Yaw		

## In Flight Trimming (BNF Basic)

During your first flight, trim the aircraft for level flight. Make small trim adjustments with your transmitter's trim switches to straighten the aircraft's flight path.

After adjusting the trim, do not touch the control sticks for 3 seconds. This allows the receiver to learn the correct settings to optimize AS3X performance.

Failure to do so could affect flight performance.



## Flying Tips and Repairs

Consult local laws and ordinances before choosing a flying location.

### Getting Started

Before you fly, range check the radio system. Refer to your specific transmitter instruction manual for range test information. When you first connect the battery to the airplane AS3X will not be active. After advancing the throttle past 25% the first time, the AS3X system will be active and it is normal to see the control surfaces react to aircraft movement. For your first flights set your transmitter timer or a stopwatch to 3.5 minutes. Adjust your timer for longer or shorter flights once you have flown the model.

### Takeoff

Face the aircraft into the wind for takeoff. Set your transmitter to low rates, set the flaps to the take-off position, and gradually increase to full throttle. Steer on the ground with the rudder as necessary to keep the aircraft rolling straight. Be aware the nose wheel will become more sensitive as speed increases. Leave the elevator at neutral and allow the aircraft to accelerate up to speed on the ground, then pull up gently on the elevator to rotate for takeoff. When airborne, climb to a comfortable altitude, retract the landing gear, and raise the flaps to normal position.

### Flying

For your first flights climb to a moderate altitude and get comfortable with the aircraft while the battery is fresh. Get a feel for the aircraft's low speed performance at a safe altitude (approximately 100 feet or more) before being required to make your first landing attempt. Land the aircraft when the timer expires. If at any time the motor power reduces, land the aircraft immediately to recharge the flight battery. See the Low Voltage Cutoff (LVC) section for more details on maximizing battery health and run time.

### Landing

Plan to land the aircraft into the wind when possible. Fly downwind, set the flaps to the take-off flap position, and turn into the wind to begin the approach. Extend the landing gear, lower the throttle. During the approach and descent, keep the wings level and the aircraft pointed into the wind. The attitude (angle of the aircraft relative to the horizon) should remain consistent and slightly nose-high during the decent. With the angle of attack maintained during the descent, the speed and descent rate is mostly controlled with small throttle changes. Once confirmed, you can make the runway set the flaps to the landing position, and stay in the throttle to maintain speed and control during descent until the aircraft is ready to flare. As the airplane descends into ground effect, fully lower the throttle, pull the nose up more to bleed off airspeed (flare), and the aircraft will settle on its wheels.

## SAFE Select Flying Tips

When flying in SAFE Select mode the aircraft will return to level flight any time the aileron and elevator controls are at neutral. Applying aileron or elevator control will cause the airplane to bank, climb or dive, and the amount the stick is moved will determine the attitude the airplane flies. Holding full control will push the aircraft to the pre-determined pitch and roll limits, but it will not go past those angles.

When flying with SAFE Select it is normal to hold the control stick deflected with moderate aileron input when flying through a turn. To fly smoothly with SAFE Select avoid making frequent control changes and don't attempt to correct for minor deviations. With SAFE Select, holding deliberate control inputs will command the aircraft to fly at a specific angle and the model will make all corrections to maintain that flight attitude.

Return the elevator and aileron controls to neutral before switching from SAFE Select mode to AS3X mode. If you do not neutralize controls when switching into AS3X mode, the control inputs used for SAFE Select mode will be excessive for AS3X mode and the aircraft will react immediately.

If landing on grass, it is best to hold full up elevator after touchdown and when taxiing to prevent the nose from digging in. Once on the ground, avoid sharp turns until the plane has slowed enough to prevent scraping the wingtips.

**NOTICE:** If a crash is imminent, reduce the throttle and trim fully. Failure to do so could result in extra damage to the airframe, as well as damage to the ESC and motor.

**NOTICE:** After any impact, always ensure the receiver is secure in the fuselage. If you replace the receiver, install the new receiver in the same orientation as the original receiver or damage may result.

**NOTICE:** Crash damage is not covered under warranty.

**NOTICE:** When you are finished flying, never leave the aircraft in direct sunlight or in a hot, enclosed area such as a car. Doing so can damage the aircraft.

### Low Voltage Cutoff (LVC)

When a Li-Po battery is discharged below 3V per cell, it will not hold a charge. The ESC protects the flight battery from over-discharge using Low Voltage Cutoff (LVC). Before the battery charge decreases too much, LVC removes power supplied to the motor. Power to the motor reduces, showing that some battery power is reserved for flight control and safe landing.

Disconnect and remove the Li-Po battery from the aircraft after use to prevent trickle discharge. Charge your Li-Po battery to about half capacity before storage. During storage, make sure the battery charge does not fall below 3V per cell. LVC does not prevent the battery from over-discharge during storage.

**NOTICE:** Repeated flying to LVC will damage the battery.

**TIP:** Monitor your aircraft battery's voltage before and after flying by using a Li-Po Cell Voltage Checker (SPMXBC100, sold separately).

### Oscillation

For most flight maneuvers the aircraft should fly smoothly and normally, but it is possible in some flight conditions you may see oscillation (the aircraft rocks back and forth on one axis). If oscillation occurs, refer to the Troubleshooting Guide for more information.

### Repairs

Thanks to the EPO foam material in this aircraft, repairs to the foam can be made using virtually any adhesive (hot glue, regular CA, epoxy, etc). When parts are not repairable, see the Replacement Parts List for ordering by item number. For a listing of all replacement and optional parts, refer to the list at the end of this manual.

**NOTICE:** Use of CA accelerant on your aircraft can damage paint. DO NOT handle the aircraft until accelerant fully dries.

### Differences between SAFE Select and AS3X modes

This section is generally accurate but does not take into account flight speed, battery charge status, and many other limiting factors.

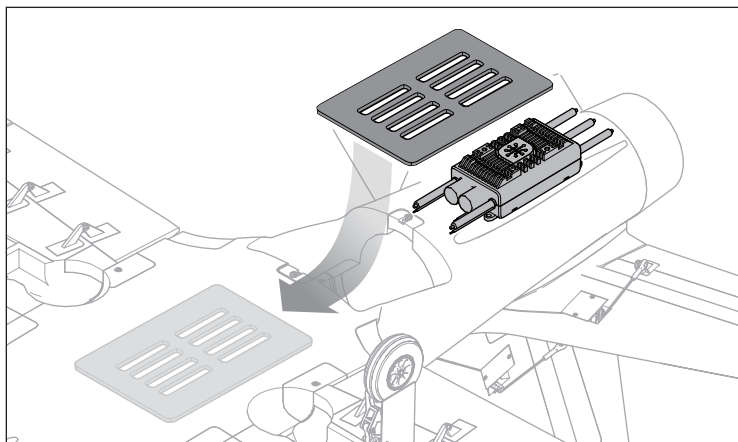
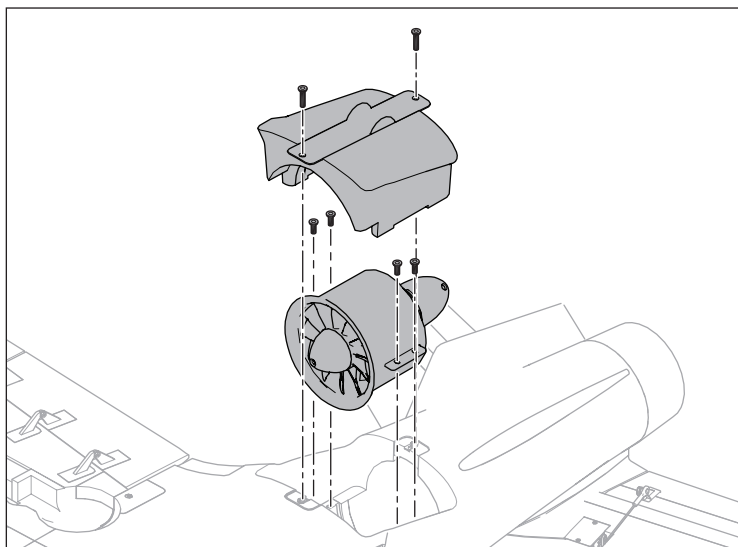
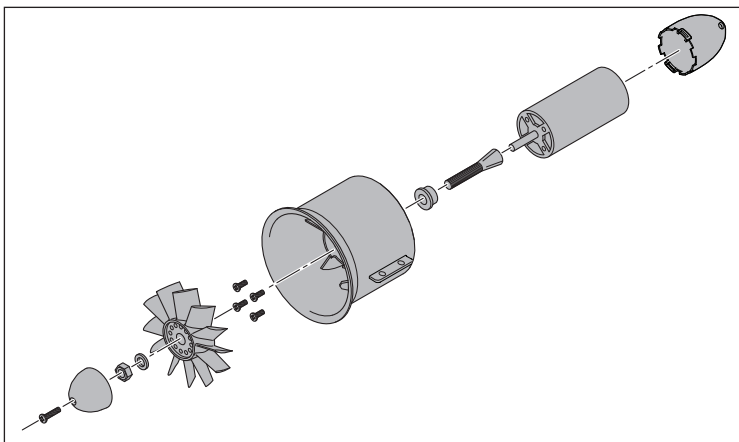
- In SAFE Select mode the aircraft will self level when the control stick is neutralized.
- In AS3X mode the aircraft will continue to fly at its present attitude when the control stick is neutralized.
- In SAFE Select mode holding a small amount of control will result in the model banking or pitching to a moderate angle and remaining at that angle as long as the control stick doesn't move.
- In AS3X mode holding a small amount of control will result in the model continuing to pitch or roll at a slow rate as long as the control stick doesn't move.
- In SAFE Select mode holding full control will result in the airplane banking or pitching to the predetermined limits and the aircraft will keep flying at that attitude as long as the control stick is fully deflected.
- In AS3X mode holding full control will result in the aircraft pitching or rolling at a high rate, and it will continue to rapidly change attitude as long as the control stick is fully deflected.

## Power System Installation and Service

### Installing the Power System (ARF Plus)

The recommended power system components are given in the Specifications table at the beginning of this manual.

1. Remove the two screws from the fan unit cover and pull the cover out of the fuselage.
2. Feed the ESC battery and throttle leads through the small hole at the front of the ESC compartment and into the battery compartment.
3. Feed the motor leads through the trough under the fan shroud location.
4. Install the ESC in the fuselage.
5. Assemble motor to the fan housing.
6. Install the rotor adapter to the motor shaft.
7. Install the rotor to the rotor adapter with the rotor nut, nose cone and nose cone screw. Ensure the rotor nut is tightened securely before installing the nose cone.
8. Connect the motor wires to the ESC motor leads.
9. Install the fan unit into the fuselage using four screws through the fan unit tabs.
10. Install the fan unit cover with the two screws removed in Step 1.
11. Connect the throttle lead to the aircraft receiver.



**CAUTION:** Always disconnect the flight battery before performing motor service.

### Disassembly

1. Remove the two screws from the fan unit cover and pull the cover off the fuselage.
2. Remove the four screws from the fan unit tabs.
3. Pull the fan unit out of the fuselage, take note of the wiring order, and disconnect the motor leads from the ESC.
4. Remove the rotor cone screw, rotor cone, rotor nut, and washer from the rotor adapter.
5. Remove the rotor by pulling it off the rotor adapter.
6. Remove the rotor adapter from the motor shaft.
7. Remove the four 3mm hex head screws that hold the motor in the fan housing.

### Assembly

Assemble in reverse order.

- Correctly align and connect the motor wire colors with the ESC wires.
- Install the rotor as shown.
- Tighten the nut on the motor adapter to secure the rotor into place.

### Post Flight

1. Disconnect the flight battery from the ESC (required for safety and battery life).
2. Power OFF the transmitter.
3. Remove the flight battery from the aircraft.
4. Recharge the flight battery to storage voltage level.

5. Repair or replace all damaged parts.
6. Store the flight battery apart from the aircraft and monitor the battery charge.
7. Make note of the flight conditions and flight plan results, planning for future flights.

## Troubleshooting Guide AS3X

Problem	Possible Cause	Solution
Oscillation	Damaged rotor or nose cone	Replace rotor or nose cone
	Imbalanced rotor	Balance the rotor
	Motor vibration	Replace parts or correctly align fan unit or other parts and tighten fasteners as needed
	Loose receiver	Align and secure receiver in fuselage
	Loose aircraft controls	Tighten or otherwise secure parts (servo, arm, linkage, horn and control surface)
	Worn parts	Replace worn parts (especially rotor, nose cone, or servo)
	Irregular servo movement	Replace servo
Inconsistent flight performance	Trim is not at neutral	If you adjust trim more than 8 clicks, adjust the ball link to remove trim
	Sub-Trim is not at neutral	No Sub-Trim is allowed. Adjust the servo linkage
	Aircraft was not kept immobile for 5 seconds after battery connection	With the throttle stick in lowest position. Disconnect battery, then reconnect battery and keep the aircraft still for 5 seconds
Incorrect response to the AS3X Control Direction Test	Incorrect direction settings in the receiver, which can cause a crash	DO NOT fly. Correct the direction settings (refer to the receiver manual), then fly

## Troubleshooting Guide

Problem	Possible Cause	Solution
Aircraft will not respond to throttle but responds to other controls	Throttle not at idle and/or throttle trim too high	Reset controls with throttle stick and throttle trim at lowest setting
	Throttle servo travel is lower than 100%	Make sure throttle servo travel is 100% or greater
	Throttle channel is reversed	Reverse throttle channel on transmitter
	Motor disconnected from ESC	Make sure motor is connected to the ESC
Excessive fan noise or excessive vibration	Damaged fan, nose cone, collet or motor	Replace damaged parts
	Fan is out of balance	Balance or replace fan
	Fan nut is too loose	Tighten the fan nut
Reduced flight time or aircraft underpowered	Flight battery charge is low	Completely recharge flight battery
	Flight battery damaged	Replace flight battery and follow flight battery instructions
	Flight conditions may be too cold	Make sure battery is not cold before use (Do not apply heat to the battery)
	Battery capacity too low for flight conditions	Replace battery or use a larger capacity battery
Aircraft will not Bind (during binding) to transmitter	Transmitter too near aircraft during binding process	Move powered transmitter a few feet from aircraft, disconnect and reconnect flight battery to aircraft
	Aircraft or transmitter is too close to large metal object, wireless source or another transmitter	Move aircraft and transmitter to another location and attempt binding again
	The bind plug is not installed correctly in the bind port	Install bind plug in bind port and bind the aircraft to the transmitter
	Flight battery/transmitter battery charge is too low	Replace/recharge batteries
	Bind switch or button not held long enough during bind process	Power off transmitter and repeat bind process. Hold transmitter bind button or switch until receiver is bound
Aircraft will not connect (after binding) to transmitter	Transmitter too near aircraft during connecting process	Move powered transmitter a few feet from aircraft, disconnect and reconnect flight battery to aircraft
	Aircraft or transmitter is too close to large metal object, wireless source or another transmitter	Move aircraft and transmitter to another location and attempt connecting again
	Bind plug left installed in bind port	Rebind transmitter to the aircraft and remove the bind plug before cycling power
	Aircraft bound to different model memory (ModelMatch™ radios only)	Select correct model memory on transmitter
	Flight battery/Transmitter battery charge is too low	Replace/recharge batteries
	Transmitter may have been bound to a different aircraft using different DSM protocol	Bind aircraft to transmitter
Control surface does not move	Control surface, control horn, linkage or servo damage	Replace or repair damaged parts and adjust controls
	Wire damaged or connections loose	Do a check of wires and connections, connect or replace as needed
	Transmitter is not bound correctly or the incorrect airplanes was selected	Re-bind or select correct airplanes in transmitter
	Flight battery charge is low	Fully recharge flight battery
Controls reversed	BEC (Battery Elimination Circuit) of the ESC is damaged	Replace ESC
	Transmitter settings are reversed	Perform the Control Direction Test and adjust the controls on transmitter appropriately
Motor power pulses then motor loses power	ESC uses default soft Low Voltage Cutoff (LVC)	Recharge flight battery or replace battery that is no longer performing
	Weather conditions might be too cold	Postpone flight until weather is warmer
	Battery is old, worn out, or damaged	Replace battery
	Battery C rating might be too low	Use recommended battery

## Replacement Parts

Part Number	Description
EFL17774	Wing Set, Left: Viper 90mm EDF
EFL17776	Wing Set, Right: Viper 90mm EDF
EFL17777	Fuselage: Viper 90mm EDF
EFL17778	Vertical Stabilizer: Viper 90mm EDF
EFL17779	Horizontal Stabilizer: Viper 90mm EDF
EFL17780	Cockpit/Hatch: Viper 90mm EDF
EFL17781	Nose Cone: Viper 90mm EDF
EFL17782	Winglet Set: Viper 90mm EDF
EFL17783	Linkage Rod: Viper 90mm EDF
EFL17784	Control Horns: Viper 90mm EDF
EFL17785	Wheel Set: Viper 90mm EDF
EFL17786	Screw Set: Viper 90mm EDF
EFL17787	Ventral Fin Set: Viper 90mm EDF
EFL17788	Decal Sheet: Viper 90mm EDF
EFL17789	Gear Doors: Viper 90mm EDF
EFL17790	Wing Tubes: Viper 90mm EDF

Part Number	Description
EFL17791	Lighting Set: Viper 90mm EDF
EFL17792	Pilot: Viper 90mm EDF
EFLA9012DF	90mm EDF Ducted Fan Unit
EFLA9012H	90mm EDF 12 Blade Rotor Hub
EFLA9012R	90mm EDF 12 Blade Rotor
EFLG360	Retract Unit: Nose Gear Viper 90mm EDF
EFLG361	Nose Strut w/Wheel: Viper 90mm EDF
EFLG362	Main Struts w/Wheel: Viper 90mm EDF
EFLG363	Retract Strut Pins: Viper 90mm EDF
EFLG364	Retract Unit: Main Gear 90mm EDF
SPMAR637T	6CH SAFE and AS3X Telemetry Receiver
SPMSA450	Servo: 13g Digital Metal Gear
SPMSA450R	Servo: 13g Digital Metal Gear (Reverse)
SPMXAE1130A	Avian 130A Brushless Smart ESC 3-6S IC5
SPMXAM1400	3670-1950Kv Brushless Inrunner Motor

## Recommended Parts

Part Number	Description
DYN1405	LiPo Charge Protection Bag, Large
ONXT1000	Ultimate Air/Surface Startup Tool Set
SPMR8105	DX8e 8CH Transmitter Only

Part Number	Description
SPMX2020	Smart S1200 G2 AC Charger, 1x200W
SPMX50006S30	22.2V 5000mAh 6S 30C Smart LiPo, IC5
SPMXBC100	XBC100 Smart LiPo Battery Checker & Servo Driver

## Optional Parts

Part Number	Description
SPM6708	Spektrum Single Stand Up Transmitter Case
SPMR10100	NX10 10CH Transmitter Only
SPMR8200	NX8 8CH DSMX Transmitter Only
SPMX46S50	22.2V 4000mAh 6S 50C Smart LiPo Battery G2, IC5
SPMX56S100	22.2V 5000mAh 6S 100C Smart LiPo Battery G2, IC5
SPMX76S30	22.2V 7000mAh 6S 30C Smart LiPo Battery G2, IC5
SPMX40006S30	22.2V 4000mAh 6S 30C Smart LiPo Battery, IC5

Part Number	Description
SPMX40006S50	22.2V 4000mAh 6S 50C Smart LiPo Battery, IC5
SPMX50006S100	22.2V 5000mAh 6S 100C Smart LiPo Battery, IC5
SPMX70006S30	22.2V 7000mAh 6S 30C Smart LiPo Battery, IC5
SPMXC1010	Smart S2100 AC Charger, 2x100W
SPMXC2010	Smart S2200 G2 AC Charger, 2x200W
SPMXCA200	Avian Firma Smart ESC Programmer

## Recommended Receivers (ARF Plus)

Part Number	Description
<b>Telemetry Equipped Receivers</b>	
SPMAR6610T	AR6610T 6-Channel Air Integrated Telemetry Receiver
SPMAR8020T	AR8020T 8-Channel Air Integrated Telemetry Receiver

Part Number	Description
<b>AS3X and Telemetry Equipped Receivers</b>	
SPMAR637T	AR637T DSMX 6-Channel AS3X Telemetry Receiver
SPMAR8360T	AR8360T DSMX 8-Channel AS3X & SAFE Telemetry Receiver



## AMA National Model Aircraft Safety Code

Effective January 1, 2018

A model aircraft is a non-human-carrying device capable of sustained flight within visual line of sight of the pilot or spotter(s). It may not exceed limitations of this code and is intended exclusively for sport, recreation, education and/or competition. All model flights must be conducted in accordance with this safety code and related AMA guidelines, any additional rules specific to the flying site, as well as all applicable laws and regulations.

As an AMA member I agree:

- I will not fly a model aircraft in a careless or reckless manner.
- I will not interfere with and will yield the right of way to all human-carrying aircraft using AMA's See and Avoid Guidance and a spotter when appropriate.
- I will not operate any model aircraft while I am under the influence of alcohol or any drug that could adversely affect my ability to safely control the model.
- I will avoid flying directly over unprotected people, moving vehicles, and occupied structures.
- I will fly Free Flight (FF) and Control Line (CL) models in compliance with AMA's safety programming.
- I will maintain visual contact of an RC model aircraft without enhancement other than corrective lenses prescribed to me. When using an advanced flight system,

- such as an autopilot, or flying First-Person View (FPV), I will comply with AMA's Advanced Flight System programming.
- I will only fly models weighing more than 55 pounds, including fuel, if certified through AMA's Large Model Airplane Program.
- I will only fly a turbine-powered model aircraft in compliance with AMA's Gas Turbine Program.
- I will not fly a powered model outdoors closer than 25 feet to any individual, except for myself or my helper(s) located at the flightline, unless I am taking off and landing, or as otherwise provided in AMA's Competition Regulation.
- I will use an established safety line to separate all model aircraft operations from spectators and bystanders.

## Limited Warranty

**What this Warranty Covers**—Horizon Hobby, LLC, (Horizon) warrants to the original purchaser that the product purchased (the "Product") will be free from defects in materials and workmanship at the date of purchase.

**What is Not Covered**—This warranty is not transferable and does not cover (i) cosmetic damage, (ii) damage due to acts of God, accident, misuse, abuse, negligence, commercial use, or due to improper use, installation, operation or maintenance, (iii) modification of or to any part of the Product, (iv) attempted service by anyone other than a Horizon Hobby authorized service center, (v) Product not purchased from an authorized Horizon dealer, (vi) Product not compliant with applicable technical regulations, or (vii) use that violates any applicable laws, rules, or regulations.

OTHER THAN THE EXPRESS WARRANTY ABOVE, HORIZON MAKES NO OTHER WARRANTY OR REPRESENTATION, AND HEREBY DISCLAIMS ANY AND ALL IMPLIED WARRANTIES, INCLUDING, WITHOUT LIMITATION, THE IMPLIED WARRANTIES OF NON-INFRINGEMENT, MERCHANTABILITY AND FITNESS FOR A PARTICULAR PURPOSE. THE PURCHASER ACKNOWLEDGES THAT THEY ALONE HAVE DETERMINED THAT THE PRODUCT WILL SUITABLY MEET THE REQUIREMENTS OF THE PURCHASER'S INTENDED USE.

**Purchaser's Remedy**—Horizon's sole obligation and purchaser's sole and exclusive remedy shall be that Horizon will, at its option, either (i) service, or (ii) replace, any Product determined by Horizon to be defective. Horizon reserves the right to inspect any and all Product(s) involved in a warranty claim. Service or replacement decisions are at the sole discretion of Horizon. Proof of purchase is required for all warranty claims. SERVICE OR REPLACEMENT AS PROVIDED UNDER THIS WARRANTY IS THE PURCHASER'S SOLE AND EXCLUSIVE REMEDY.

**Limitation of Liability**—HORIZON SHALL NOT BE LIABLE FOR SPECIAL, INDIRECT, INCIDENTAL OR CONSEQUENTIAL DAMAGES, LOSS OF PROFITS OR PRODUCTION OR COMMERCIAL LOSS IN ANY WAY, REGARDLESS OF WHETHER SUCH CLAIM IS BASED IN CONTRACT, WARRANTY, TORT, NEGLIGENCE, STRICT LIABILITY OR ANY OTHER THEORY OF LIABILITY, EVEN IF HORIZON HAS BEEN ADVISED OF THE POSSIBILITY OF SUCH DAMAGES. Further, in no event shall the liability of Horizon exceed the individual price of the Product on which liability is asserted. As Horizon has no control over use, setup, final assembly, modification or misuse, no liability shall be assumed nor accepted for any resulting damage or injury. By the act of use, setup or assembly, the user accepts all resulting liability. If you as the purchaser or user are not prepared to accept the liability associated with the use of the Product, purchaser is advised to return the Product immediately in new and unused condition to the place of purchase.

**Law**—These terms are governed by Illinois law (without regard to conflict of law principals). This warranty gives you specific legal rights, and you may also have other rights which vary from state to state. Horizon reserves the right to change or modify this warranty at any time without notice.

### WARRANTY SERVICES

**Questions, Assistance, and Services**—Your local hobby store and/or place of purchase cannot provide warranty support or service. Once assembly, setup or use of the Product has been started, you must contact your local distributor or Horizon directly. This will enable Horizon to better answer your questions and service you in

the event that you may need any assistance. For questions or assistance, please visit our website at [www.horizonhobby.com](http://www.horizonhobby.com), submit a Product Support Inquiry, or call the toll free telephone number referenced in the Warranty and Service Contact Information section to speak with a Product Support representative.

**Inspection or Services**—If this Product needs to be inspected or serviced and is compliant in the country you live and use the Product in, please use the Horizon Online Service Request submission process found on our website or call Horizon to obtain a Return Merchandise Authorization (RMA) number. Pack the Product securely using a shipping carton. Please note that original boxes may be included, but are not designed to withstand the rigors of shipping without additional protection. Ship via a carrier that provides tracking and insurance for lost or damaged parcels, as Horizon is not responsible for merchandise until it arrives and is accepted at our facility. An Online Service Request is available at [http://www.horizonhobby.com/content/service-center\\_render-service-center](http://www.horizonhobby.com/content/service-center_render-service-center). If you do not have internet access, please contact Horizon Product Support to obtain a RMA number along with instructions for submitting your product for service. When calling Horizon, you will be asked to provide your complete name, street address, email address and phone number where you can be reached during business hours. When sending product into Horizon, please include your RMA number, a list of the included items, and a brief summary of the problem. A copy of your original sales receipt must be included for warranty consideration. Be sure your name, address, and RMA number are clearly written on the outside of the shipping carton.

**NOTICE:** Do not ship LiPo batteries to Horizon. If you have any issue with a LiPo battery, please contact the appropriate Horizon Product Support office.

**Warranty Requirements**—For Warranty consideration, you must include your original sales receipt verifying the proof-of-purchase date. Provided warranty conditions have been met, your Product will be serviced or replaced free of charge. Service or replacement decisions are at the sole discretion of Horizon.

**Non-Warranty Service**—Should your service not be covered by warranty, service will be completed and payment will be required without notification or estimate of the expense unless the expense exceeds 50% of the retail purchase cost. By submitting the item for service you are agreeing to payment of the service without notification. Service estimates are available upon request. You must include this request with your item submitted for service. Non-warranty service estimates will be billed a minimum of ½ hour of labor. In addition you will be billed for return freight. Horizon accepts money orders and cashier's checks, as well as Visa, MasterCard, American Express, and Discover cards. By submitting any item to Horizon for service, you are agreeing to Horizon's Terms and Conditions found on our website [http://www.horizonhobby.com/content/service-center\\_render-service-center](http://www.horizonhobby.com/content/service-center_render-service-center).

**ATTENTION:** Horizon service is limited to Product compliant in the country of use and ownership. If received, a non-compliant Product will not be serviced. Further, the sender will be responsible for arranging return shipment of the un-serviced Product, through a carrier of the sender's choice and at the sender's expense. Horizon will hold non-compliant Product for a period of 60 days from notification, after which it will be discarded.

10/15



## Contact Information

Country of Purchase	Horizon Hobby	Contact Information	Address
United States of America	Horizon Service Center (Repairs and Repair Requests)	servicecenter.horizonhobby.com/RequestForm/	2904 Research Rd Champaign, Illinois, 61822 USA
	Horizon Product Support (Product Technical Assistance)	productsupport@horizonhobby.com 877-504-0233	
	Sales	websales@horizonhobby.com 800-338-4639	
European Union	Horizon Technischer Service Sales: Horizon Hobby GmbH	service@horizonhobby.eu +49 (0) 4121 2655 100	Hanskampring 9 D 22885 Barsbüttel, Germany

## FCC Information


### FCC ID: BRWTIARLGTNG1

This equipment complies with FCC and IC radiation exposure limits set forth for an uncontrolled environment. This equipment should be installed and operated with minimum distance 20cm between the radiator and/or antenna and your body (excluding fingers, hands, wrists, ankles and feet). This transmitter must not be co-located or operating in conjunction with any other antenna or transmitter.

### Supplier's Declaration of Conformity

#### EFL Smart Viper ARF Plus (EFL17770) EFL Smart Viper EDF BNF-B (EFL17750)

This device complies with part 15 of the FCC Rules. Operation is subject to the following two conditions: (1) This device may not cause harmful interference, and (2) this device must accept any interference received, including interference that may cause undesired operation.

 **CAUTION:** Changes or modifications not expressly approved by the party responsible for compliance could void the user's authority to operate the equipment.

**NOTE:** This equipment has been tested and found to comply with the limits for a Class B digital device, pursuant to part 15 of the FCC Rules. These limits are designed to provide reasonable protection against harmful interference in a residential installation. This equipment generates, uses and can radiate radio frequency energy and, if not installed and used in accordance with the instructions, may cause harmful interference to radio communications. However, there is no guarantee that interference will not occur in a particular installation. If this equipment does cause harmful interference to radio or television reception, which can be determined by turning the equipment off and on, the user is encouraged to try to correct the interference by one or more of the following measures:

- Reorient or relocate the receiving antenna.
- Increase the separation between the equipment and receiver.
- Connect the equipment into an outlet on a circuit different from that to which the receiver is connected.
- Consult the dealer or an experienced radio/TV technician for help.

Horizon Hobby, LLC  
2904 Research Rd.,  
Champaign, IL 61822  
Email: [compliance@horizonhobby.com](mailto:compliance@horizonhobby.com)  
Web: [HorizonHobby.com](http://HorizonHobby.com)

## IC Information

### CAN ICES-3 (B)/NMB-3(B)

#### IC: 6157A-TIARLGTNG1

This device contains license-exempt transmitter(s)/receivers(s) that comply with Innovation, Science, and Economic Development Canada's license-exempt RSS(s). Operation is subject to the following 2 conditions:

1. This device may not cause interference.
2. This device must accept any interference, including interference that may cause undesired operation of the device.

## Compliance Information for the European Union

### EU Compliance Statement:

**EFL Smart Viper ARF Plus (EFL17770):** Hereby, Horizon Hobby, LLC declares that the device is in compliance with the following: EU EMC Directive 2014/30/EU, RoHS 2 Directive 2011/65/EU, RoHS 3 Directive - Amending 2011/65/EU Annex II 2015/863.

**EFL Smart Viper EDF BNF-B (EFL17750):** Hereby, Horizon Hobby, LLC declares that the device is in compliance with the following: EU Radio Equipment Directive 2014/53/EU, RoHS 2 Directive 2011/65/EU, RoHS 3 Directive - Amending 2011/65/EU Annex II 2015/863.

The full text of the EU declaration of conformity is available at the following internet address: <https://www.horizonhobby.com/content/support-render-compliance>.

### Wireless Frequency Range and Wireless Output Power:

2402 – 2478 MHz  
19.95dBm

### EU Manufacturer of Record:

Horizon Hobby, LLC  
2904 Research Road  
Champaign, IL 61822 USA

### EU Importer of Record:

Horizon Hobby, GmbH  
Hanskampring 9  
22885 Barsbüttel Germany

### WEEE NOTICE:



This appliance is labeled in accordance with European Directive 2012/19/EU concerning waste of electrical and electronic equipment (WEEE). This label indicates that this product should not be disposed of with household waste. It should be deposited at an appropriate facility to enable recovery and recycling.



E328

## HINWIES

Allen Anweisungen, Garantien und anderen zugehörigen Dokumenten sind Änderungen nach Ermessen von Horizon Hobby, LLC vorbehalten. Aktuelle Produktliteratur finden Sie unter [www.horizonhobby.com](http://www.horizonhobby.com) oder [www.towerhobbies.com](http://www.towerhobbies.com) im Support-Abschnitt für das Produkt.


## ERKLÄRUNG DER BEGRIFFE

Die folgenden Begriffe werden in der gesamten Produktliteratur verwendet, um auf unterschiedlich hohe Gefahrenrisiken beim Betrieb dieses Produkts hinzuweisen:

**WARNUNG:** Wenn diese Verfahren nicht korrekt befolgt werden, ergeben sich wahrscheinlich Sachschäden, Kollateralschäden und schwere Verletzungen ODER mit hoher Wahrscheinlichkeit oberflächliche Verletzungen.

**ACHTUNG:** Wenn diese Verfahren nicht korrekt befolgt werden, ergeben sich wahrscheinlich Sachschäden UND die Gefahr von schweren Verletzungen.

**HINWEIS:** Wenn diese Verfahren nicht korrekt befolgt werden, können sich möglicherweise Sachschäden UND geringe oder keine Gefahr von Verletzungen ergeben.

 **WARNUNG:** Lesen Sie die GESAMTE Bedienungsanleitung, um sich vor dem Betrieb mit den Produktfunktionen vertraut zu machen. Wird das Produkt nicht korrekt betrieben, kann dies zu Schäden am Produkt oder persönlichem Eigentum führen oder schwere Verletzungen verursachen.


Dies ist ein hochentwickeltes Hobby-Produkt. Es muss mit Vorsicht und gesundem Menschenverstand betrieben werden und benötigt gewisse mechanische Grundfähigkeiten. Wird dieses Produkt nicht auf eine sichere und verantwortungsvolle Weise betrieben, kann dies zu Verletzungen oder Schäden am Produkt oder anderen Sachwerten führen. Versuchen Sie nicht ohne Genehmigung durch Horizon Hobby, LLC, das Produkt zu zerlegen, es mit inkompatiblen Komponenten zu verwenden oder auf jegliche Weise zu erweitern. Diese Bedienungsanleitung enthält Anweisungen für Sicherheit, Betrieb und Wartung. Es ist unbedingt notwendig, vor Zusammenbau, Einrichtung oder Verwendung alle Anweisungen und Warnhinweise im Handbuch zu lesen und zu befolgen, damit es bestimmungsgemäß betrieben werden kann und Schäden oder schwere Verletzungen vermieden werden.

**Nicht geeignet für Kinder unter 14 Jahren. Dies ist kein Spielzeug.**

## Sicherheitshinweise und Warnungen

Als Nutzer dieses Produktes, sind Sie allein verantwortlich, es in einer Art und Weise zu benutzen, die eine eigene Gefährdung und die anderer oder Beschädigung an anderem Eigentum ausschließt. Das Modell ist ferngesteuert und anfällig für bestimmte äußere Einflüsse. Diese Einflüsse können zum vorübergehenden Verlust der Steuerfähigkeit führen, so dass es immer sinnvoll ist genügend Sicherheitsabstand in alle Richtungen um das Modell zu haben.


- Fahren Sie das Modell nie mit fast leeren oder schwachen Senderbatterien.
- Betreiben Sie Ihr Modell stets auf offenen Geländen, weit ab von Automobilen, Verkehr und Menschen.
- Fahren Sie Ihr Modell nicht auf der Straße oder belebten Plätzen.
- Beachten Sie vorsichtig alle Hinweise und Warnungen für das Modell und allen dazu gehörigen Equipment.
- Halten Sie alle Chemikalien, Kleinteile und elektrische Bauteile aus der Reichweite von Kindern.
- Lecken Sie niemals an Teilen von Ihrem Modell oder nehmen diese in den Mund, da diese Sie ernsthaft verletzen oder töten können.
- Seien Sie immer aufmerksam wenn Sie Werkzeug oder scharfe Instrumente verwenden.
- Seien Sie bei dem Bau vorsichtig, da einige Teile scharfe Kanten haben könnten.
- Fassen Sie bitte unmittelbar nach dem Betrieb nicht den Motor, Regler oder Akku an, da diese Teile sich sehr erwärmen können und Sie sich bei dem berühren ernsthaft verbrennen können.
- Fassen Sie nicht in drehende oder sich bewegende Teile, da sich ernsthaft dabei verletzen können.
- Schalten Sie immer zuerst den Sender ein, bevor Sie den Empfänger im Fahrzeug einschalten.
- Stellen Sie das Fahrzeug mit den Rädern nicht auf den Boden, wenn Sie die Funktionen überprüfen.

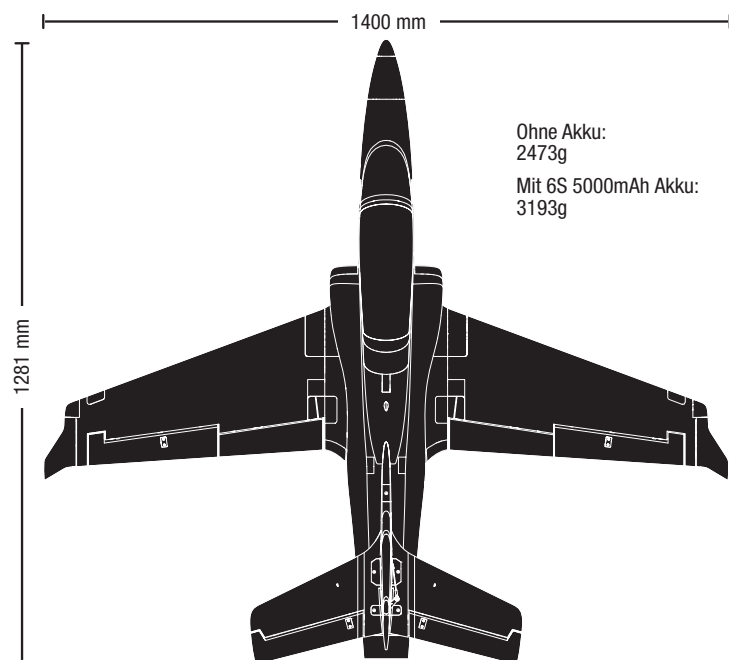
 **WARNUNG VOR GEFÄLSCHTEN PRODUKTEN:** Sollten Sie jemals eine Spektrum Komponente ersetzen wollen, kaufen Sie die benötigten Ersatzteile immer bei Horizon Hobby oder einem von Horizon Hobby autorisierten Händler, um sicherzugehen, dass Sie beste Spektrum Qualität erhalten. Horizon Hobby, LLC lehnt jedwede Haftung, Garantie und Serviceleistung in Bezug auf, aber nicht ausschließlich für, Kompatibilitäts- und Leistungsansprüche von gefälschten Produkten oder Produkten, die angeben mit DSM oder Spektrum kompatibel zu sein, ab.

## Schnellstartanleitung

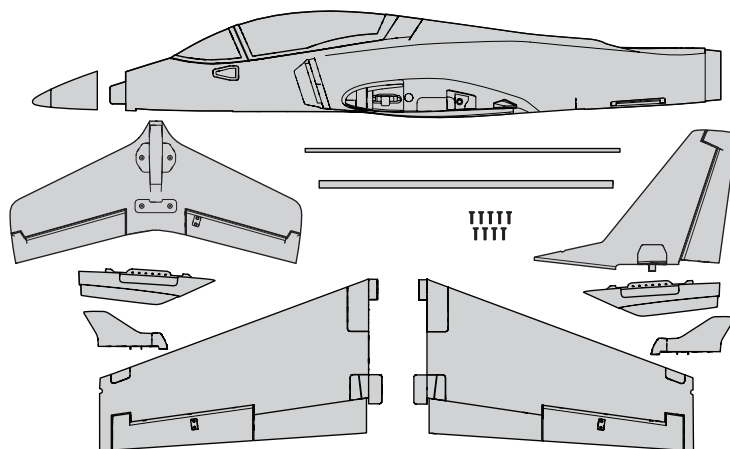
<b>Senderkonfiguration</b>	Zum Einstellen Ihres Senders benutzen Sie das Setup Diagramm		
<b>Duale Geschwindigkeit</b>		<b>Niedrige Geschwindigkeit</b>	<b>Hohe Geschwindigkeit</b>
	<b>Querruder:</b> Gemessen am Innenbordende	▲ = 11mm ▼ = 11mm	▲ = 16mm ▼ = 16mm
	<b>Höhenruder:</b> Gemessen am Innenbordende	▲ = 10mm ▼ = 10mm	▲ = 14mm ▼ = 14mm
	<b>Seitenruder:</b> Gemessen an der Basis des Ruders	▶ = 19mm ◀ = 19mm	▶ = 25mm ◀ = 25mm
<b>Schwerpunkt (CG)</b>	10mm (± 7mm) von der Hinterkante der vorderen Kunststoff-Flügelhalterung		
<b>Einstellung Flug-Timer</b>	3,5 Minuten		

## Spezifikationen

		<b>ARF Plus</b>
<b>Motor:</b> 3670-1950 Kv 4-poliger bürstenloser In-Runner (SPMXAM1400)	<b>Montiert</b>	<b>Erforderlich</b>
<b>Geschwindigkeitsregler:</b> Avian Bürstenloser 130-A-Smart-Geschwindigkeitsregler (SPMXAE1130A)	<b>Montiert</b>	<b>Erforderlich</b>
<b>Servos:</b> Querruder: (2) Spektrum SPMSA450; Linker Höhenruder: (1) Spektrum SPMSA450; Rechter Höhenruder: (1) Spektrum SPMSA450R; Ruder: (1) Spektrum SPMSA450R; Lenkung des Bugrades: (1) Spektrum SPMSA450	<b>Montiert</b>	<b>Montiert</b>
<b>Empfänger:</b> Spektrum AR637TA AS3X/SAFE-Telemetrieempfänger mit 6 Kanälen (SPMAR637T)	<b>Montiert</b>	<b>Erforderlich</b>
<b>Empfohlener Akku:</b> 22,2 V 6S 5000 mAh 30C	<b>Erforderlich</b>	<b>Erforderlich</b>
<b>Empfohlenes Ladegerät:</b> 6-zelliges LiPo-Akkuausgleichsladegerät	<b>Erforderlich</b>	<b>Erforderlich</b>
<b>Empfohlener Sender:</b> Vollbereich 6-Kanal 2,4GHz mit Spektrum DSM2/DSMX Technologie mit einstellbaren dualen Geschwindigkeiten	<b>Erforderlich</b>	<b>Erforderlich</b>



## Packungsinhalt



## Inhaltsverzeichnis

SAFE Select-Technologie (BNF Basic) .....	20
Vor dem Flug .....	20
Zusammenbau des Modells .....	20
Einbau des Empfängers (ARF Plus) .....	22
Einstellung des Senders (BNF Basic) .....	22
Montage des Akkus und Aktivierung des Geschwindigkeitsreglers .....	23
Schwerpunkt .....	23
Failsafe und allgemeine Tipps für die Binding .....	24
Sender und Empfänger binden / Ein- und Ausschalten von SAFE Select .....	24
Schalterbelegung von SAFE Select .....	25
Zentrieren der Kontrollen .....	25
Steuerrichtungstests .....	26
Horn- und Servoarm-Einstellungen .....	26
Duale Geschwindigkeiten und Ruderausschlag .....	27
AS3X Test des Steuerverhaltens (BNF Basic) .....	27
Trimmung während des Fluges (BNF Basic) .....	27
Flugtipps und Reparaturen .....	28
Tipps für das Fliegen mit SAFE Select .....	28
Installation des Stromsystem und Bedienung .....	29
Nach dem Flug .....	29
AS3X Fehlerbehebung .....	30
Fehlerbehebung .....	30
Ersatzteile .....	31
Empfohlene Teile .....	31
Optionale Teile .....	31
Empfohlene Empfänger (ARF Plus) .....	31
Haftungsbeschränkung .....	32
Garantie und Service Kontaktinformationen .....	33
Konformitätshinweise für die Europäische Union .....	33

## SAFE Select-Technologie (BNF Basic)

Die BNF Basic-Version dieses Flugzeugs verfügt über die SAFE Select-Technologie, die im Flug einen zusätzlichen Schutz bietet. Verwenden Sie die folgenden Anweisungen, um das SAFE Select-System zu aktivieren und einem Switch zuzuweisen. Wenn diese Option aktiviert ist, verhindert SAFE Select, dass das Flugzeug die vorgegebenen Grenzwerte überschreitet oder kippt. Durch die automatische Selbstnivellierung wird das Flugzeug in einer geraden und waagerechten Fluglage gehalten, wenn Querruder, Höhenruder und Ruderhebel neutral sind.

SAFE Select wird während des Bindevorgangs aktiviert oder deaktiviert, oder es kann über die Vorwärtsprogrammierung aktiviert werden. SAFE Select wird

während des Bindevorgangs aktiviert oder deaktiviert, oder es kann über die Vorwärtsprogrammierung aktiviert werden. Die AS3X-Technologie bleibt zu jeder Zeit aktiv.

SAFE Select kann auf drei Arten konfiguriert werden:

- SAFE Select Off: Immer im AS3X-Modus
- SAFE Select Ein - kein Schalter zugewiesen: Immer im SAFE Select-Modus
- SAFE Select Ein mit zugewiesenem Schalter

## Vor dem Flug

1. Inhalt entfernen und überprüfen.

2. Diese Anleitung sorgfältig durchlesen.

3. Den Flug-Akku aufladen.

4. Sender laut der Sender-Einrichtungstabelle einrichten.

5. Das Flugzeug komplett zusammenbauen.

6. Den Flug-Akku (nach dem vollständigen Laden) im Flugzeug montieren.

7. Den Schwerpunkt (CG) überprüfen.

8. Flugzeug mit dem Sender binden.

9. Überprüfen, ob sich die Gestänge unbehindert bewegen lassen.

10. Testen Sie die Klappenbedienung.

11. Steuerrichtungstest mit dem Sender durchführen.

12. AS3X-Steuerrichtungstest mit dem Flugzeug durchführen.

13. Flugsteuerungen und Sender anpassen.

14. Reichweitentest des Funksystems durchführen.

15. Einen sicheren offenen Bereich zum Fliegen finden.

16. Flug gemäß Bedingungen des Flugfeldes planen.

## Zusammenbau des Modells

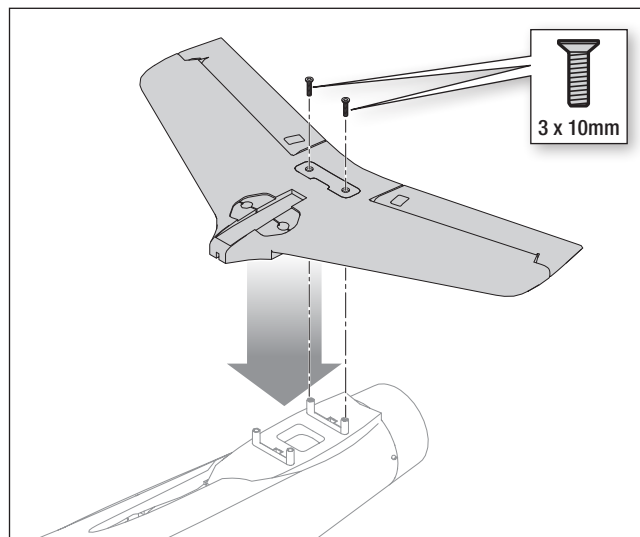
### Montage des horizontalen Stabilisators

1. Beide Höhenruder-Servostecker an den Verlängerungen im Rumpf mit der Kennzeichnung ELEV anschließen. Den überstehenden Servo-Draht in den Rumpf führen.

2. Drücken Sie das Höhenleitwerk auf die vier Leitwerksposten am Rumpf und achten Sie darauf, dass keine Servodrähte eingeklemmt werden.

3. Zwei 3 x 10 mm Schrauben durch die horizontalen stabilisators und in die hinteren Löcher im Rumpf führen.

**TIPP:** 2,0-mm-Inbusschlüssel erforderlich. Die Schrauben nicht zu fest anziehen.



### Montage der Tragfläche

1. Drehen Sie den Rumpf um.

2. Stecken Sie das kürzere Flügelrohr in das vordere Loch des Rumpfes (530 mm x 12,6 mm).

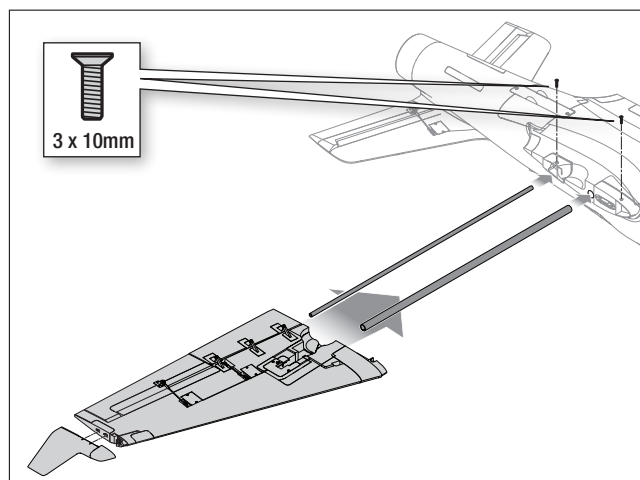
3. Stecken Sie das längere Flügelrohr in das hintere Loch des Rumpfes (580 mm x 7,8 mm).

4. Schieben Sie die linke Tragfläche auf die Tragflächenrohre und achten Sie dabei darauf, dass die Freisprechverbinder fluchten und vollständig ineinander greifen.

5. Die Tragfläche mit sechs 3 x 10 mm Schrauben am Rumpf sichern.

**TIPP:** 2,0-mm-Inbusschlüssel erforderlich. Die Schrauben nicht zu fest anziehen.

Wiederholen Sie diesen Vorgang für die rechte Tragfläche.

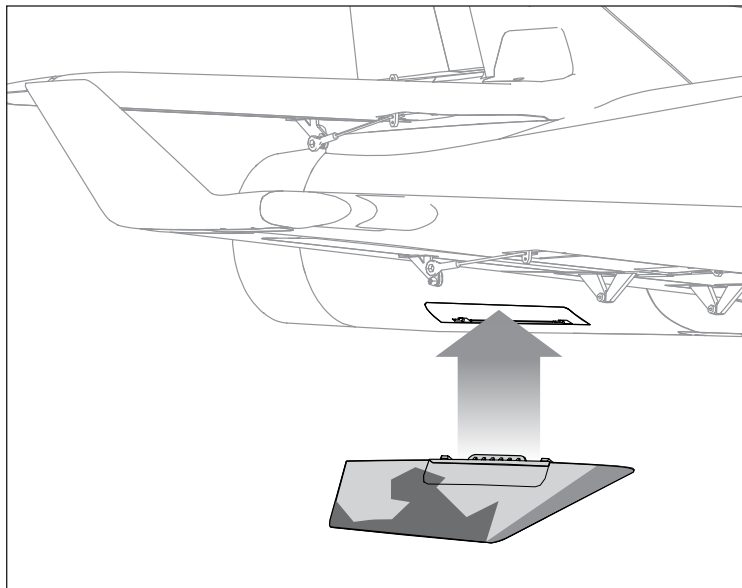


## Montage der Stabilisierungsflosse

1. Setzen Sie die linke Stabilisierungsflosse in den Rumpf ein und schieben Sie sie zur Sicherung nach hinten.

**TIPP:** Die graue Seite sollte nach innen und die detaillierte Seite nach außen zeigen.

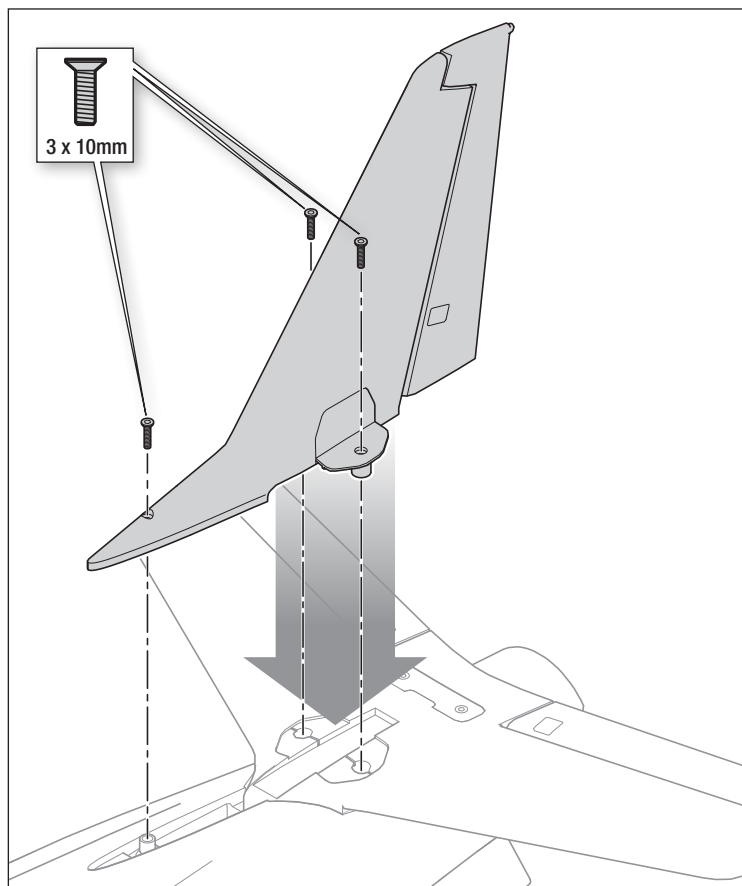
2. Setzen Sie die rechte Stabilisierungsflosse in den Rumpf ein und schieben Sie sie zur Sicherung nach hinten.



## Montage des Seitenleitwerks

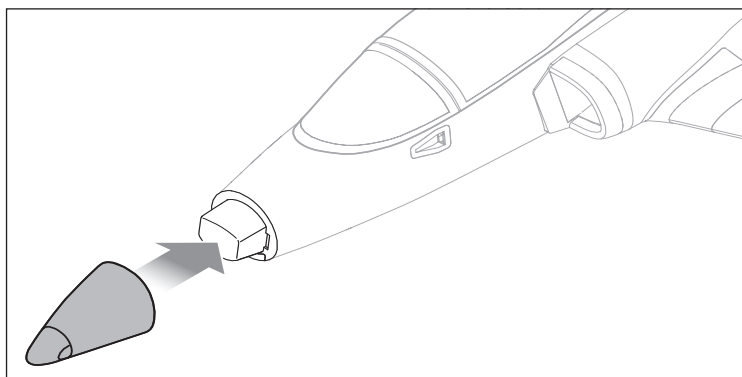
1. Den Seitenruder-Servostecker an der Verlängerung im Rumpf mit der Kennzeichnung RUDD anschließen. Den überstehenden Servo-Draht in den Rumpf führen.
2. Das Seitenleitwerk in den Schlitz in Höhenleitwerk und Rumpf drücken und sicherstellen, dass die Drähte nicht eingeklemmt werden.
3. Drei 3 x 10 mm Schrauben durch das Seitenleitwerk und in den Rumpf einführen. Die Schrauben nicht zu fest anziehen.

**TIPP:** 2,0-mm-Inbusschlüssel erforderlich. Die Schrauben nicht zu fest anziehen.



## Montage der Bugspitze

Richten Sie den Nasenkonus aus und bringen Sie ihn am Rumpf an. Magnete sichern den Nasenkonus an seinem Platz.



## Einbau des Empfängers (ARF Plus)

Der Spektrum AR637T Empfänger wird für dieses Flugzeug empfohlen. Wird ein anderer Empfänger montiert, sicherstellen, dass es sich dabei mindestens um einen Full-Range 6-Kanal-(Sport-) Empfänger handelt. Zur korrekten Montage und Bedienung, siehe Empfängeranleitung.

### Installation (Abbildung AR637T)

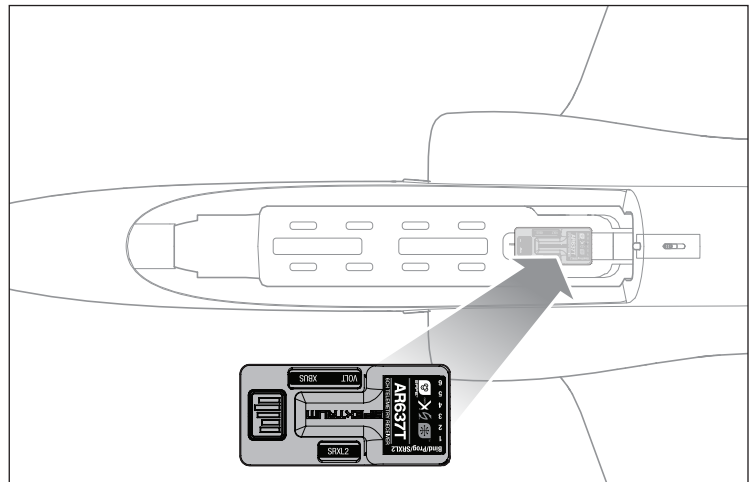
- Den Empfänger laut Abbildung in Längsrichtung im Rumpf befestigen. Verwenden Sie hochbelastbares doppelseitiges Servoband.

**HINWEIS:** Die falsche Montage des Empfängers kann einen Absturz verursachen.

- Die entsprechenden Steuerflächen wie in der abgebildeten Tabelle an ihre jeweiligen Ports am Empfänger anbringen.

#### AR637 Port-Zuweisungen

<b>BND/PRG = BINDEN</b>	<b>4 = Seitenruder</b>
<b>1 = Gas</b>	<b>5 = Einfahrvorrichtungen</b>
<b>2 = Querruder</b>	<b>6 = Klappen</b>
<b>3 = Höhenruder</b>	



## Einstellung des Senders (BNF Basic)

**WICHTIG:** Nach dem Einrichten des Modells immer den Sender und Empfänger erneut binden, um die gewünschten Failsafe-Positionen einzurichten.

Der Getriebekanal (Kanal 5) steuert das Einziehfahrwerk. Bei Verwendung eines Senders mit 6 Kanälen, kann der Klappenkanal verwendet werden, um SAFE Select einzuschalten. Auf Grundlage der unten aufgeführten Werte schaltet es SAFE bei halb und vollständig nach unten gerichtete Klappenpositionen ein und bei neutraler Klappenposition ist AS3X eingeschaltet.

Um den Klappenkanal für den SAFE Select-Schalter zu verwenden, müssen die Werte auf +100 und -100 und die Geschwindigkeit vorübergehend auf 0 eingestellt werden, um den SAFE-Schalter im Klappensystem-Menü zuzuordnen. Anschließend die Werte des Klappensystems wieder entsprechend der Auflistung im TX-Setup ändern. Weitere Informationen zur Zuordnung des Schalters für SAFE Select sind im Abschnitt Schalterbelegung von SAFE Select in diesem Handbuch enthalten.

### Duale Geschwindigkeiten

**Machen Sie Ihre ersten Flugversuche bei niedriger Geschwindigkeit. Zum Landen einen großen Ausschlag am Höhenruder verwenden.**

**HINWEIS:** Um sicherzustellen, dass die AS3X-Technologie einwandfrei funktioniert, die Werte nicht unter 50 % senken. Wenn geringere Steuerauslässe gewünscht werden, die Position des Gestänges am Servoarm manuell anpassen

**HINWEIS:** Tritt Oszillation bei hoher Geschwindigkeit auf, die Anleitung zur Fehlerbehebung für weitere Informationen lesen.

### Exponential

Im Anschluss an die ersten Flüge kann der Expo-Wert in Ihrem Sender angepasst werden.

\*Einige der in der iX12- und iX20-Programmierung verwendeten Begriffe und Funktionspositionen können sich leicht von anderen Spektrum AirWare™ Funksystemen unterscheiden. Die in Klammern angegebenen Namen entsprechen der iX12- und iX20-Programmierungsterminologie. Für spezifische Informationen zur Programmierung Ihres Senders Ihre Sender-Betriebsanleitung konsultieren.

**\*Die Werte für die Klappenprogrammierung können leicht variieren. Für Ihre ersten Flüge empfohlenen Klappenwegeinstellungen verwenden und den Klappenweg bei anschließenden Flügen nach Bedarf anpassen.**

#### Computergestützte Senderkonfiguration

Die gesamte Senderprogrammierung mit einem leeren ACRO-Modell (eine Zurücksetzung des Modells durchführen) beginnen, dann das Modell benennen.		
Duale Geschwindigkeit einstellen auf	HOCH 100 %	NIEDRIG 70 %
Servoverfahrweg einstellen auf	100 %	
Gasabschaltung auf	-100%	
Einzieh-Kanal einstellen auf	Rückwärts	
Querruder Expo einstellen auf	Hohe Geschwindigkeit 10%	Niedrige Geschwindigkeit 5 %
Höhenruder Expo einstellen auf	Hohe Geschwindigkeit 10%	Niedrige Geschwindigkeit 5 %
Seitenruder Expo einstellen auf	Hohe Geschwindigkeit 10%	Niedrige Geschwindigkeit 5 %
DXS	Das entsprechende Download-Setup finden Sie unter <a href="http://spektrumrc.com">spektrumrc.com</a> .	
DX7S DX8	1. Auf SYSTEM SETUP [Systemkonfiguration] gehen	
	2. MODEL TYPE [Modelltyp] einstellen: AIRPLANE [Flugzeug]	
	3. WING TYPE [Tragflächentyp] einrichten: 1 AIL; 1 FLP	
	4. KLAPPENSYSTEM: POS 0: 100% Klappe*      0% Höhenruder POS 1: 0% Klappe*      -3% Höhenruder POS 2: -100% Klappe*    -5% Höhenruder Schalter: SCHALTER D Geschw: 2.0S	
DX6e DX6 (G2) DX7 (G2) DX8e DX8 (G2) DX9 DX10t DX18 DX20 iX12 iX20 NX6 NX8 NX10	1. Auf SYSTEM SETUP [Systemkonfiguration] gehen (Model Utilities [Modell-Dienstprogramme])†	
	2. MODEL TYPE [Modelltyp] einstellen: AIRPLANE [Flugzeug]	
	3. AIRCRAFT TYPE [Fluggerättyp] (Model Setup [Modellkonfiguration], Aircraft Type [Fluggerättyp])†: TRAGFLÄCHE: 1 QUERRUDER; 1 FLP	
	4. CHANNEL ASSIGN (Model Setup [Modellkonfiguration], Channel Assign [Kanal zuweisen])† einstellen: (Standard-Schalterbelegungen mit einer neuen Einrichtung des Modells) Getriebe (Kanal 5): SCHALTER A	
DX6e DX6 (G2) DX7 (G2) DX8e DX8 (G2) DX9 DX10t DX18 DX20 iX12 iX20 NX6 NX8 NX10	5. KLAPPENSYSTEM: Schalter: SCHALTER D POS 0: 100% Klappe*      -0% Höhenruder POS 1: 0% Klappe*      -3% Höhenruder POS 2: -100% Klappe*    -5% Höhenruder Geschw: 2.0S	



## Montage des Akkus und Aktivierung des Geschwindigkeitsreglers

### Wahl des Akkus

Es wird ein 6S 4000–7000mAh LiPo-Akku benötigt. Empfohlen wird der Spektrum 5000 mAh 6S 22,2 V 30C LiPo-Akku (SPMX50006S30). Siehe Optionale Teileliste zu weiteren empfohlenen Akkus. Wird ein anderer als die aufgeführten Akkus verwendet, dann sollte der Akku in Leistung, Abmessungen und Gewicht dem Spektrum Li-Po-Akkupack entsprechen, damit er in den Rumpf passt. Sicherstellen, dass das Modell vor dem Flug am empfohlenen CG ausbalanciert ist.

1. Gas und Gastrimmung auf die niedrigste Einstellung senken. Den Sender einschalten und 5 Sekunden warten.
2. Die Akku-Abdeckung entfernen.
3. Für zusätzliche Sicherheit die Schlingenseite (weiche Seite) des optionalen Klettbandes an der Unterseite Ihres Akkus und die Hakenseite an der Akkuhalterung befestigen.
4. Den voll aufgeladenen Akku wie abgebildet in der Mitte des Akkufachs montieren. Mit dem Klettband sichern.
5. Den Akku an den Geschwindigkeitsregler anschließen. Sollte das Bindungsverfahren bislang nicht durchgeführt worden sein, dieses wie in der vorliegenden Anleitung beschrieben jetzt durchführen.

**ACHTUNG:** Halten Sie die Hände und lose Gegenstände immer vom Lüftereinlass fern. Der Motor reagiert im eingeschalteten Zustand auf eine Bewegung des Gashebels mit einer Drehung des Rotors.

6. Das Flugzeug still und nicht in den Wind halten, da sich das System ansonsten nicht initialisiert.
  - Sobald der Akku angeschlossen ist, gibt der Motor eine Reihe von Tönen aus. Im Anschluss folgt eine Folge von sechs gleichen Tönen, die die Anzahl der angeschlossenen Zellen angibt.
  - Auf dem Empfänger leuchtet bei seiner Initialisierung eine LED auf
7. Die Akku-Abdeckung wieder montieren.

### ESC-Töne

Wenn der Geschwindigkeitsregler kontinuierlichen Doppelpiepton erzeugt, nachdem der Akku angeschlossen wurde, muss der Akku aufgeladen oder ausgewechselt werden.

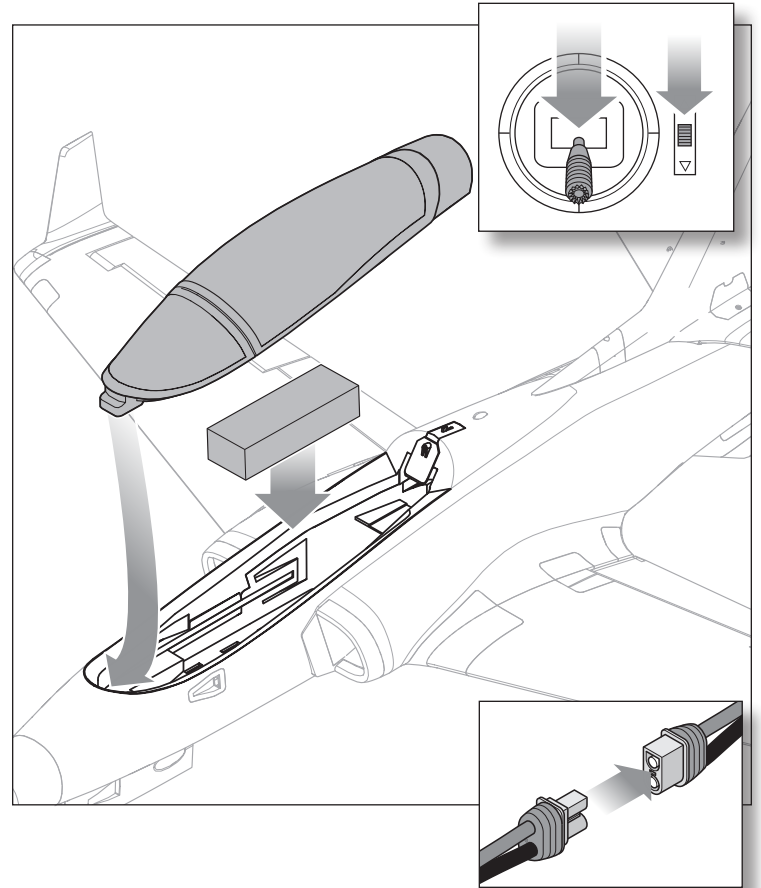
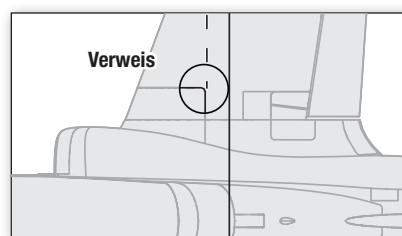
Signaltöne Geschwindigkeitsregler	Bedeutung der Signale	Mögliches Problem
Kontinuierliche, langsame Einzeltöne	Ungewöhnliches Gassignal	Sender und Empfänger nicht gebunden Gasleitung beschädigt oder nicht in den Empfänger eingesteckt Gasleitung falsch in den Empfänger eingesteckt
Kontinuierliche, schnelle Einzeltöne	Gassignal nicht auf niedriger Stellung	Gashebel nicht auf niedriger Stellung Gasknüppelweg auf unter 100 % reduziert Gas umgekehrt Gastrimmung erhöht
Kontinuierliche Doppelsignaltöne	Akkuspannung liegt unterhalb des zulässigen Bereichs	Überprüfen, ob es sich um einen 22,2 V LiPo-Akku mit 6 Zellen handelt Überprüfen, ob der Akku komplett geladen ist

### Schwerpunkt

**WARNUNG:** Akkus einsetzen, aber nicht an Geschwindigkeitsregler während der Prüfung des CGs anschließen. Personenschäden können die Folge sein.

Der CG liegt 10mm ( $\pm 7$ mm) von der Hinterkante der vorderen Kunststoff-Flügelhalterung. **Prüfen Sie immer die Schwerpunktlage bei umgedrehtem Modell und ausgefahrenem Fahrwerk.**

Die CG-Position wird eingestellt, indem das Akkupack im Akkufach nach vorne oder hinten bewegt wird.



10mm ( $\pm 7$ mm)

## Failsafe und allgemeine Tipps für die Binding

- Der mitgelieferte Sender wurde speziell für den Betrieb dieses Fluggeräts programmiert. Nach dem Austausch des Empfängers sind die Anweisungen zur ordnungsgemäßen Einrichtung dem Empfängerhandbuch zu entnehmen.
- Während des Bindens von großen Metallobjekten fern halten.
- Die Senderantenne während des Bindens nicht direkt auf den Empfänger richten.
- Die orangefarbene LED auf dem Empfänger beginnt, schnell zu blinken, wenn der Empfänger in den Bindungsmodus wechselt.
- Nach erfolgter Binding behält der Empfänger seine Bindingeinstellungen für den Empfänger bei, bis eine neue Binding erfolgt.
- Wird die Kommunikation zwischen Empfänger und Sender unterbrochen, so wird Failsafe aktiviert. Durch Failsafe wird der Gaskanal in die Position „wenig Gas“ gebracht. Steig- und Roll-Kanäle verschieben sich, um das Fluggerät in einer absteigenden Kurve zu stabilisieren.
- Treten Probleme auf, ist die Anleitung zur Fehlerbehebung zu konsultieren, bei Bedarf hilft die Produktsupport-Abteilung von Horizon weiter.

## Sender und Empfänger binden / Ein- und Ausschalten von SAFE Select

Die BNF Basic-Version dieses Flugzeugs ist mit der SAFE Select-Technologie ausgestattet, die es ermöglicht, den Grad des Flugschutzes auszuwählen. Der SAFE-Modus beinhaltet eine Begrenzung der Schräglage und eine automatische Selbstausrichtung. Der AS3X-Modus ermöglicht dem Piloten eine direkte Reaktion auf die Steuerhebel. SAFE Select wird während des Bindungsvorgangs aktiviert oder deaktiviert. Ist SAFE Select deaktiviert, befindet sich das Flugzeug stets im AS3X-Modus. Ist SAFE Select aktiviert, befindet sich das Flugzeug stets im SAFE Select-Modus. Alternativ ist es möglich, einen Schalter für den Wechsel zwischen den Modi SAFE Select und AS3X zuzuweisen. Dank der SAFE Select-Technologie lässt sich dieses Flugzeug für Vollzeit-SAFE-Modus oder Vollzeit-AS3X-Modus konfigurieren. Auch die Modusauswahl kann einem Schalter zugewiesen werden.

**WICHTIG:** Vor dem Binden den Abschnitt zur Sendereinrichtung in dieser Anleitung lesen und die Sendereinrichtung abschließen, um sicherzustellen, dass der Sender für dieses Flugzeug korrekt programmiert wurde.

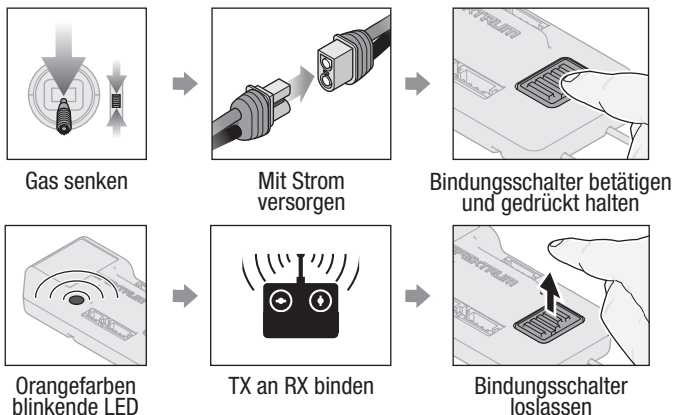
**WICHTIG:** Die Flugsteuerungen des Senders (Höhen-, Quer- und Seitenrudder) und Gastrimmung auf neutral stellen. Das Gas vor und während dem Binden auf geringe Gaszufuhr stellen.

Um das Binden und den SAFE Select-Vorgang abzuschließen, lässt sich entweder der Bindungsschalter auf dem Empfängergehäuse oder der konventionelle Bindungsstecker verwenden.

**SAFE auch kann über die Vorwärts Programmierung aktiviert werden**

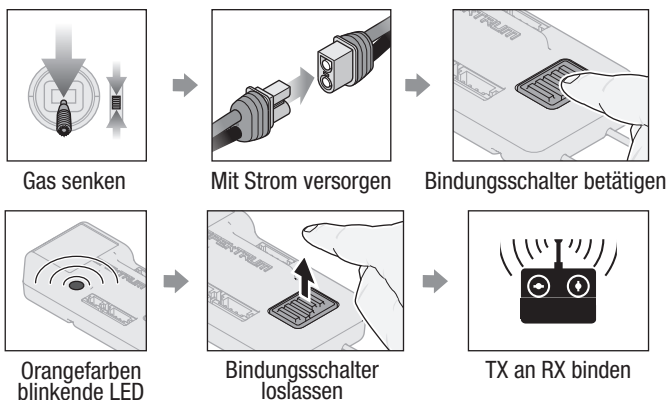
### Verwendung des Bindungsschalters...

#### SAFE Select aktiviert



**SAFE SELECT AKTIVIERT:** Jedes Mal, wenn der Empfänger eingeschaltet wird, schalten die Steuerflächen **zweimal** hin und her, mit einer kurzen Pause auf der Neutralposition.

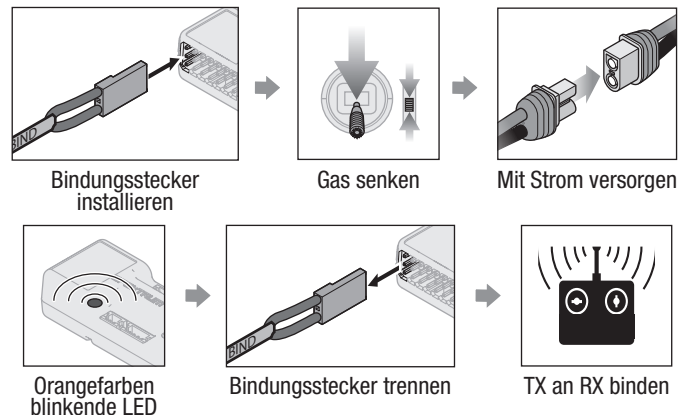
#### SAFE Select deaktiviert



**SAFE SELECT DEAKTIVIERT:** Jedes Mal, wenn der Empfänger eingeschaltet wird, schalten die Steuerflächen **einmal** hin und her.

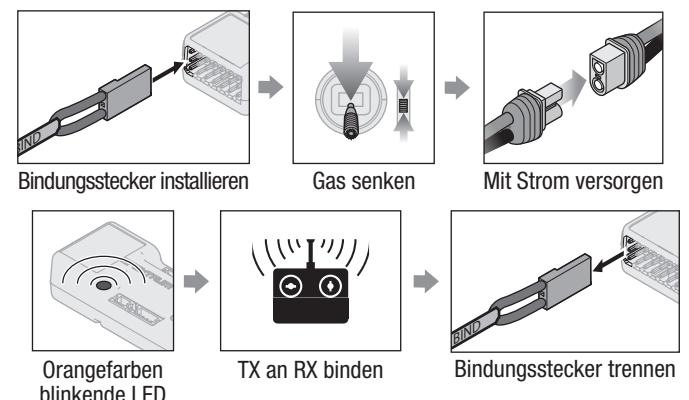
### Verwendung des Bindungssteckers...

#### SAFE Select aktiviert



**SAFE SELECT AKTIVIERT:** Jedes Mal, wenn der Empfänger eingeschaltet wird, schalten die Steuerflächen **zweimal** hin und her, mit einer kurzen Pause auf der Neutralposition.

#### SAFE Select deaktiviert



**SAFE SELECT DEAKTIVIERT:** Jedes Mal, wenn der Empfänger eingeschaltet wird, schalten die Steuerflächen **einmal** hin und her.

## Schalterbelegung von SAFE Select

Die SAFE Select-Technologie kann jedem offenen Schalter (2 oder 3 Position) zugewiesen werden, der einen Sender (5–9) auf dem Sender steuert. Nach dem Zuweisen zu einer Taste verfügt das eingeschaltete SAFE Select über die Flexibilität zur Wahl der SAFE-Technologie oder dem AS3X-Modus während des Flugs. Wurde das Fluggerät mit ausgeschaltetem SAFE Select gebunden, so verbleibt es exklusiv im AS3X-Modus.

**WICHTIG:** Vor dem Zuweisen des gewünschten Schalters sicherstellen, dass der Verfahrensweg für diesen Kanal auf 100 % in beide Richtungen eingestellt ist und das Querruder, Höhenruder, Seitenruder und Gaspedal alle auf hoher Geschwindigkeit mit dem Verfahrensweg bei 100 % stehen.

**ACHTUNG:** Alle Körperteile von Propeller fernhalten und das Fluggerät bei versehentlicher Gasbetätigung sicher festhalten.

**TIPP:** SAFE Select kann jedem nicht verwendeten Kanal 5–9 zugewiesen werden. Siehe Handbuch des Senders zu weiteren Informationen zum Zuweisen eines Schalters an einen Kanal.

**TIPP:** Mit dem Funkkanalmonitor bestätigen, dass die vier Hauptkanäle einen Verfahrensweg von 100 % bei der Zuweisung des Schalters aufweisen.

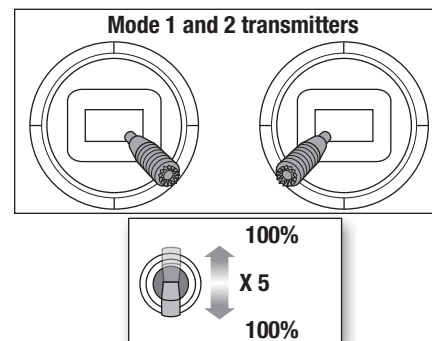
**TIPP:** Mit dem Funkkanalmonitor sicherstellen, dass der für SAFE Select gedachte Schalter aktiv ist und einen Kanal zwischen 5–9 bewegt und sich zu 100 % in jede Richtung verschiebt.

**TIPP:** Sicherstellen, dass die vier Hauptkanäle nicht umgekehrt sind, falls Problem beim Zuweisen eines SAFE Select-Schalters auftreten.

### Zuweisen eines Schalters

1. Das Fluggerät für die Wahl des eingeschalteten SAFE Select binden. Dadurch kann das System einem Schalter zugewiesen werden.
2. Beide Hebel des Senders in die unteren inneren Ecken halten und den gewünschten Schalter 5-mal (1 Umschalten = vollständig von oben nach unten) hin- und herschalten, um diesen Schalter zuzuweisen. Die Steueroberflächen des Flugzeugs werden sich bewegen und so anzeigen, dass der Schalter ausgewählt wurde.

Falls gewünscht, den Vorgang wiederholen, um einen anderen Schalter zuzuweisen oder den aktuellen Schalter zu deaktivieren.



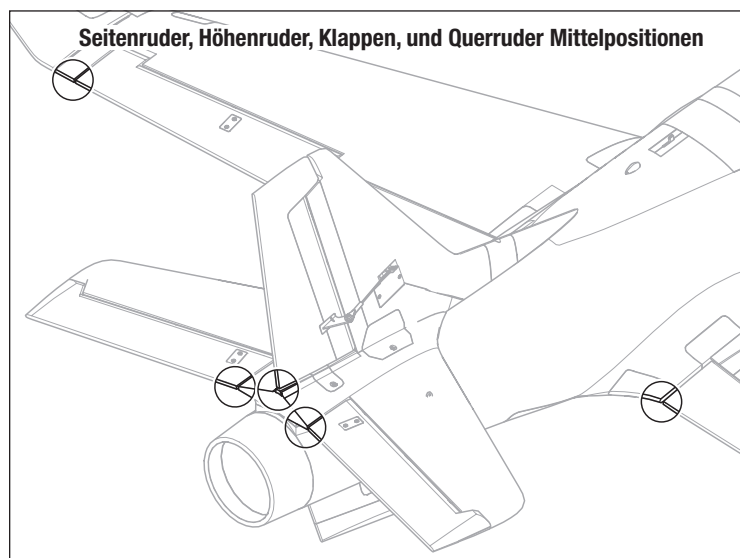
## Zentrieren der Kontrollen

Nach dem Montieren und Einrichten des Senders überprüfen, ob die Steuerflächen zentriert sind. Das Modell muss eingeschaltet und im AS3X-Modus an den Sender gebunden werden, wobei das Gas bei Null bleibt. Wenn aktiviert, ist der SAFE-Modus beim Einschalten aktiv. Der AS3X-Modus wird aktiviert, sobald die Gaszufuhr nach dem Einschalten erstmals auf über 25 % erhöht wird. Es ist normal, dass die Steuerflächen auf Flugbewegungen reagieren, wenn sich das Flugzeug im AS3X- oder SAFE-Modus befindet.

1. Überprüfen, ob die Trimmungen und Ersatztrimmungen auf dem Sender auf Null stehen
2. Das Modell im AS3X-Modus einschalten und das Gas auf Null belassen

**HINWEIS:** Darauf achten, dass das Gestänge im Kugelgelenk den Boden erreicht. Das Gestänge nicht zu weit in das Kugelgelenk schrauben, da es ansonsten das Kugelgelenk beschädigen und in den Bereich für die Steuerkugel eindringen würde.

3. Zentrieren Sie das Seitenruder mit der Unterseite des Seitenleitwerks. Ist eine Anpassung erforderlich, das Kugelgelenk am Gestänge drehen, um die Länge zwischen Servoarm und Steuerhorn zu verändern, bis die Seitenruder gerade sind.
4. Die Querruder durch Ausrichten des äußeren Endes des Querruders mit der Hinterkante der Tragflächenspitze zentrieren. Die Länge des Gestänges wie in Schritt 3 nach Bedarf einstellen.
5. Zentrieren Sie die vollflächigen Stabilisatoren, indem Sie das äußere Ende der Stabilisatoren mit der Hinterkante des Rumpfes ausrichten. Die Länge des Gestänges wie in Schritt 3 nach Bedarf einstellen.
6. Zentrieren Sie die Klappen, indem Sie das innere Ende der Klappen mit dem Winglet des Rumpfes ausrichten. Die Länge des Gestänges wie in Schritt 3 nach Bedarf einstellen.



## Steuerrichtungstests

Den Sender einschalten und den Akku anschließen. Den Sender zum Steuern der Querruder- und Höhenrudersteuerungen verwenden. Beim Prüfen der Steuerungsrichtungen das Fluggerät von hinten ansehen.

### Querruder

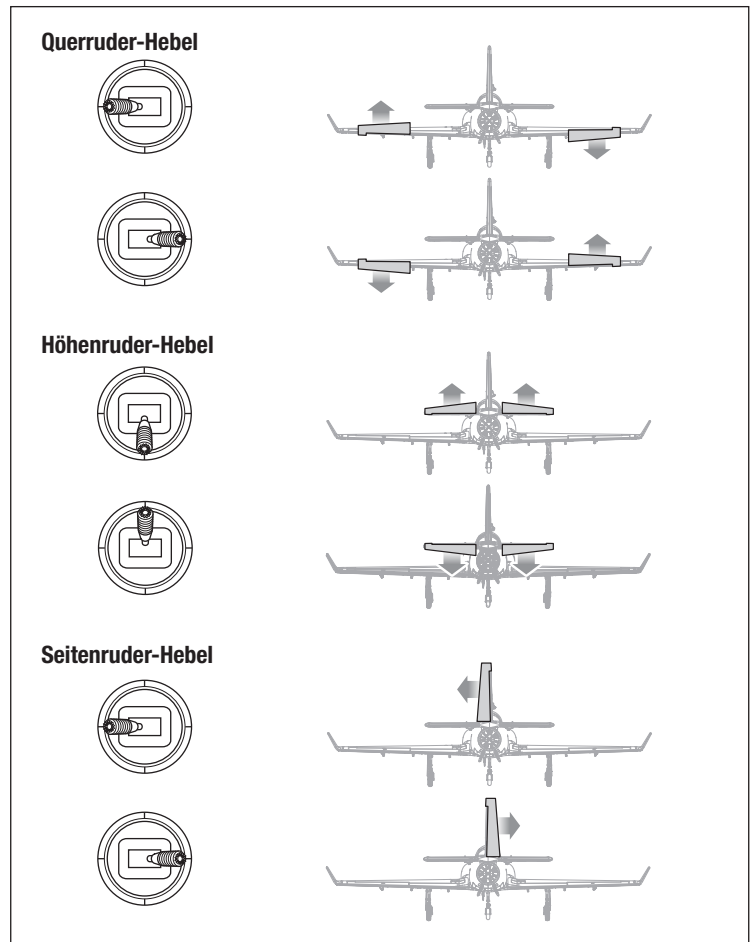
1. Den Querruder-Hebel nach links bewegen. Das rechte Querruder sollte sich nach unten und das linke Querruder nach oben bewegen, sodass sich das Fluggerät nach links neigt.
2. Den Querruder-Hebel nach rechts bewegen. Das rechte Querruder sollte sich nach oben und das linke Querruder nach unten bewegen, sodass sich das Fluggerät nach rechts neigt.

### Höhenruder

1. Den Höhenruder-Hebel zurückziehen. Die Stabilisator sollten sich nach oben bewegen, sodass das Fluggerät steigt.
2. Den Höhenruder-Hebel nach vorne drücken. Die Stabilisator sollte sich nach unten bewegen, sodass das Fluggerät sinkt.

### Seitenruder

3. Den Seitenruder-Hebel nach links bewegen. Das Seitenruder sollte nach links bewegen.
4. Den Seitenruder-Hebel nach rechts bewegen. Das Seitenruder sollte nach rechts bewegen.



## Horn- und Servoarm-Einstellungen

Die Tabelle rechts zeigt die werkseitigen Einstellungen der Steuerhörner und Servoarme. Das Flugzeug auf den Werkseinstellungen fliegen, ehe Änderungen vorgenommen werden.

**HINWEIS:** Werden die Werkseinstellungen der Steuerausschläge geändert, so müssen ggf. die AR637TA-Gewinnwerte angepasst werden. Siehe Spektrum AR637TA-Handbuch zum Anpassen der Gewinnwerte.

Nach dem Flug können die Gestängepositionen für die gewünschte Steuerreaktion angepasst werden. Siehe nachfolgende Tabelle.

Werkseinstellungen	Steuerhörner	Servoarme
Höhenruder		
Seitenruder		
Querruder		
Klappe		
Lenkung des Bugrades		

Einstellung	Steuerhörner	Servoarme
Größerer Ruderausschlag		
Geringerer Ruderausschlag		

## Duale Geschwindigkeiten und Ruderausschlag

Den Sender programmieren, um die Geschwindigkeiten und Ruderausschläge entsprechend dem Erfahrungsstand einzurichten. Diese Werte wurden getestet und sind ein guter Ausgangspunkt, um einen erfolgreichen ersten Flug durchzuführen. Nach dem Flug können die Werte für die gewünschte Steuerreaktion angepasst werden.

	Niedrige Geschwindigkeit	Hohe Geschwindigkeit
<b>Querruder</b>	11mm (7/16") ▲ 11mm (7/16") ▼	16mm (5/8") ▲ 16mm (5/8") ▼
<b>Höhenruder</b>	10mm (3/8") ▲ 10mm (3/8") ▼	14mm (9/16") ▲ 14mm (9/16") ▼
<b>Seitenruder</b>	19mm (3/4") ◀▶	25mm (1") ◀▶

## AS3X Test des Steuerverhaltens (BNF Basic)

Dieser Test stellt sicher, dass das AS3X-Steuersystem ordnungsgemäß funktioniert. Das Flugzeug zusammenbauen und Sender am Empfänger binden, ehe dieser Test durchgeführt wird.

1. Gashebel bis kurz über 25 % heben, dann Gashebel senken, um die AS3X-Technologie zu aktivieren.

**ACHTUNG:** Alle Körperteile, Haare und locker getragene Kleidung von dem sich drehenden Propeller fernhalten, da sich diese im Propeller verfangen können.

2. Das gesamte Flugzeug wie abgebildet bewegen und sicherstellen, dass sich die Steueroberflächen in die laut der Grafik ausgewiesene Richtung bewegen. Reagieren die Steueroberflächen nicht wie abgebildet, das Flugzeug nicht fliegen. Siehe Handbuch des Empfängers zu weiteren Informationen.

Die Steueroberflächen können sich schnell bewegen, sobald das AS3X-System aktiv ist. Das ist normal. AS3X bleibt bis zur Trennung des Akkus aktiv.

	Flugbewegungen	Reaktion des AS3X
Steigung		
Wanken		
Gier		

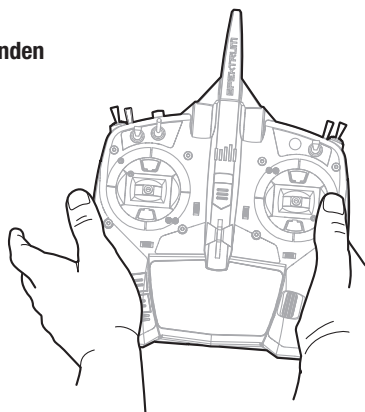
## Trimmung während des Fluges (BNF Basic)

Trimmen Sie das Flugzeug bei Ihrem ersten Flug für Horizontalflug. Um den Geradeausflug des Flugzeugs zu verbessern, machen Sie kleine Trimmkorrekturen mit den Trimmshaltern Ihres Senders.

Nach erfolgter Einstellung der Trimmung die Steuerknüppel für 3 Sekunden nicht berühren. Dadurch erhält der Empfänger die Informationen über die zur Optimierung der AS3X-Leistung geeigneten Einstellungen.

Wenn Sie dies nicht tun, kann die Flugleistung beeinträchtigt werden.

3 Sekunden





## Flugtipps und Reparaturen

Vor der Wahl des Flugstandorts die örtlichen Gesetze und Verordnungen konsultieren.

### Erste Schritte

Vor dem Fliegen einen Reichweitentest für das Funksystem durchführen. Siehe spezifisches Handbuch des Senders zu Informationen zum Reichweitentest. Beim ersten Anschließen des Akkus an das Flugzeug ist AS3X nicht aktiv. Nachdem der Gashebel beim ersten Mal über 25% angehoben wurde, ist das AS3X-System aktiv, und es ist normal, dass die Bedienoberflächen auf Flugzeugbewegungen reagieren. Bei den ersten Flügen den Sendertimer oder eine Stoppuhr auf 3,5 Minuten einstellen. Den Timer nach dem Fliegen des Modells für längere oder kürzere Flüge anpassen.

### Start

Das Flugzeug zum Starten in den Wind drehen. Stellen Sie Ihren Sender auf niedrige Raten ein, stellen Sie die Klappen in die Startposition und erhöhen Sie schrittweise auf Vollgas. Bei Bedarf mit dem Ruder auf den Boden lenken, damit das Flugzeug gerade rollt. Beachten Sie, dass das Bugrad mit zunehmender Geschwindigkeit empfindlicher wird. Lassen Sie das Höhenruder in Neutralstellung, beschleunigen Sie das Flugzeug am Boden und ziehen Sie dann vorsichtig das Höhenruder hoch, um es für den Start zu drehen. Steigen Sie in der Luft in eine angenehme Höhe, fahren Sie das Fahrwerk ein und heben Sie die Klappen in die normale Position.

### Fliegen

Bei den ersten Flügen auf eine gemäßigte Höhe aufsteigen und die Handhabung des Flugzeugs bei frischem Akku üben. In einer sicheren Höhe (ca. 30 Meter [100 Fuß] oder mehr) ein Gefühl für die Langsamflugeistung, bevor Sie Ihren ersten Landeversuch machen müssen. Wenn der Timer abgelaufen ist, das Flugzeug landen lassen. Verringert der Motor zu irgendeinem Zeitpunkt seine Leistung, das Flugzeug unverzüglich landen, um den Akku des Flugzeugs aufzuladen. Siehe Abschnitt zur Niedrigtrennspannung (LVC) zu weiteren Einzelheiten zur Maximierung von Akku-Leistung und Laufzeit.

### Landen

Planen Sie, das Flugzeug nach Möglichkeit im Wind zu landen. Fliegen Sie gegen den Wind, stellen Sie die Klappen auf die Position der Startklappe und drehen Sie sich in den Wind, um den Anflug zu beginnen. Fahren Sie das Fahrwerk aus und senken Sie den Gashebel. Halten Sie während des An- und Abstiegs die Flügel gerade und das Flugzeug zeigt in den Wind. Die Fluglage (Winkel des Flugzeugs relativ zum Horizont) sollte während des Abstiegs konstant und leicht nasenhoch bleiben. Da der Anstellwinkel während des Abstiegs beibehalten wird, werden die Geschwindigkeit und die Abstiegsrate meist mit kleinen Gasänderungen gesteuert. Nach der Bestätigung können Sie die Landebahn dazu bringen, die Klappen in die Landeposition zu bringen und im Gas zu bleiben, um die Geschwindigkeit und Kontrolle während des Abstiegs aufrechtzuerhalten, bis das Flugzeug zum Abfackeln bereit ist. Wenn das Flugzeug in den Bodeneffekt abfällt, senken Sie den Gashebel vollständig, ziehen Sie die Nase weiter nach oben, um die Fluggeschwindigkeit (Fackel) zu verringern, und das Flugzeug setzt sich auf seinen Rädern ab.

## Tipps für das Fliegen mit SAFE Select

Wenn das Flugzeug im SAFE Select-Modus fliegt, kehrt es in den Horizontalflug zurück, wenn sich die Querruder- und Höhenrudersteuerung auf Neutral befinden. Mit der Querruder- oder Höhenrudersteuerung kann bewirkt werden, dass das Flugzeug sich neigt, steigt oder in einen Sturzflug übergeht. Zudem bestimmt die Intensität mit der Steuerhebel bewegt wird die Fluglage des Flugzeugs. Die volle Kontrolle zu behalten, fordert die voreingestellten Neigungs- und Rollgrenzen des Flugzeugs heraus, führt aber nicht zu einem Überschreiten dieser Winkel.

Beim Fliegen mit SAFE Select wird der Steuerhebel normalerweise in ausgelenkter Position gehalten, bei moderater Eingabe beim Querruder in Kurven. Um mit SAFE Select reibungslos zu fliegen, häufige Steuerungsänderungen vermeiden und das Korrigieren kleinerer Abweichungen möglichst vermeiden. Mit Safe Select geben durchdachte Steuereingaben dem Flugzug den Befehl, in einem bestimmten Winkel zu fliegen und das Modell nimmt alle Anpassungen vor, um die Fluglage zu halten.

Die Höhen- und Querrudersteuerung auf Neutral stellen, und dann vom SAFE Select-Modus in den AS3X-Modus wechseln. Wird beim Umschalten in den AS3X-Modus die Steuerung nicht neutralisiert, sind die für den SAFE Select-Modus verwendeten Steuereingänge für den AS3X-Modus zu groß und das Flugzeug reagiert sofort.

Bei der Landung im Gras sollte am besten nach der Landung und während des Rollens das Höhenruder vollständig oben sein, um ein Vornüberkippen zu verhindern.

**HINWEIS:** Steht ein Absturz unmittelbar bevor, die Gaszufuhr senken und komplett trimmen. Wird dies unterlassen, können zusätzliche Schäden am Flugwerk sowie Schäden am Geschwindigkeitsregler und Motor auftreten.

**HINWEIS:** Nach einem Absturz immer sicherstellen, dass der Empfänger im Rumpf gesichert ist. Wird der Empfänger ersetzt, den neuen Empfänger in derselben Ausrichtung wie den Originalempfänger montieren, da es ansonsten zu Schäden kommen kann.

**HINWEIS:** Schäden durch Abstürze werden durch die Garantie nicht gedeckt.

**HINWEIS:** Das Fluggerät nicht der direkten Sonneneinstrahlung oder heißen, geschlossenen Bereichen, wie einem Fahrzeug, aussetzen, wenn es nicht geflogen wird. Dadurch kann das Fluggerät beschädigt werden.

### Niedrigtrennspannung (LVC)

Ist ein Li-Po-Akku bis unter 3 V je Zelle entladen, hält er die Spannung nicht. Der Geschwindigkeitsregler schützt den Flug-Akku mit einer Niedrigtrennspannung (LVC) vor einer übermäßigen Entladung. Ehe der Akkuladestand zu niedrig fällt, trennt die Niedrigtrennspannung die Stromzufuhr zum Motor. Die Stromzufuhr zum Motor verringert sich und zeigt an, dass ein Teil der Akku-Leistung für die Flugsteuerung und das sichere Landen reserviert ist.

Den Li-Po-Akku nach dem Gebrauch vom Fluggerät trennen und herausnehmen, um eine Teilentladung zu vermeiden. Den Li-Po-Akku vor dem Lagern etwa bis zur Hälfte aufladen. Beim Lagern darauf achten, dass die Akkuladung nicht unter 3 V pro Zelle fällt. Die LVC verhindert nicht das übermäßige Entladen des Akkus während der Lagerung.

**HINWEIS:** Das wiederholte Fliegen bis zur LVC kann zu Schäden am Akku führen.

**TIPP:** Die Akku-Spannung des Fluggeräts vor und nach dem Fliegen mit einem Li-Po-Zellspannungsprüfer (SPMNBC100, separat erhältlich) überwachen.

### Oszillation

Bei den meisten Flugmanövern sollte das Flugzeug ruhig und normal fliegen, wobei es bei manchen Flugbedingungen zu Oszillation kommen kann (Das Flugzeug schaukelt auf einer Achse hin und her). Tritt Oszillation auf, die Fehlerbehebung zu weiteren Informationen lesen.

### Reparaturen

Dank des EPO-Schaummaterials in diesem Fluggerät können Reparaturen am Schaumstoff mit fast jedem Klebstoff (Heißleim, regulärer CA, Epoxid usw.) durchgeführt werden. Können Bauteile nicht repariert werden, siehe Ersatzteilliste zum Bestellen nach Artikelnummer. Eine Aufführung aller Ersatzteile und optionaler Bauteile findet sich in der Liste am Ende dieser Anleitung.

**HINWEIS:** Die Verwendung eines CA-Beschleunigers am Flugzeug kann die Farbe beschädigen. Das Flugzeug ERST handhaben, wenn der Beschleuniger vollständig getrocknet ist.

### Unterschiede zwischen den Modi SAFE Select und AS3X

Dieser Abschnitt ist grundsätzlich präzise, berücksichtigt aber nicht die Fluggeschwindigkeit, den Ladezustand der Batterie und viele andere einschränkende Faktoren.

- Wenn sich der Steuerhebel in Neutralposition befindet, richtet sich das Flugzeug im SAFE Select-Modus selbst aus. Im AS3X-Modus behält das Flugzeug seine aktuelle Position bei, wenn sich der Steuerhebel in Neutralposition befindet.
- Geringfügige Steuereingaben bewegen das Flugzeug im SAFE Select-Modus in eine moderate Wank- bzw. Nicklage, wo es verbleibt, solange der Steuerhebel nicht bewegt wird. Im AS3X-Modus führt eine geringfügige Steuereingaben führt dazu, dass das Modell weiterhin langsam neigt oder rollt, solange der Steuerhebel nicht bewegt wird.
- Im SAFE Select-Modus führt das Halten der vollen Kontrolle dazu, dass sich das Flugzeug bis zu den vorgegebenen Grenzen in die Wank- bzw. Nicklage bewegt und so lange in dieser Lage weiterfliegt, wie der Steuerhebel vollständig ausgelenkt ist. Im AS3X-Modus führt das Halten der vollen Kontrolle dazu, dass sich das Flugzeug in höchstmöglicher Geschwindigkeit in die Wank- bzw. Nicklage bewegt und so lange schnelle Lagenwechsel vollzieht, wie der Steuerhebel vollständig ausgelenkt ist.

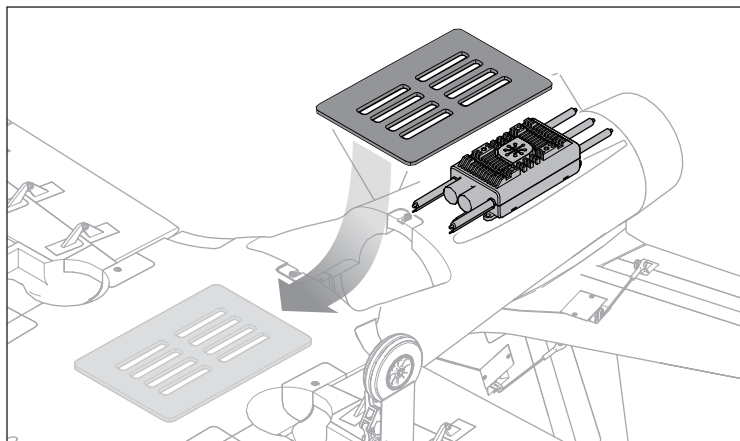
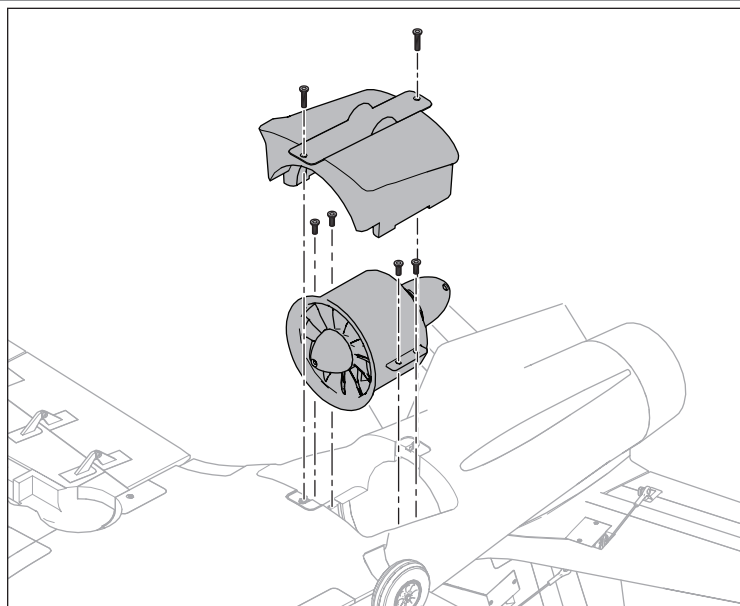
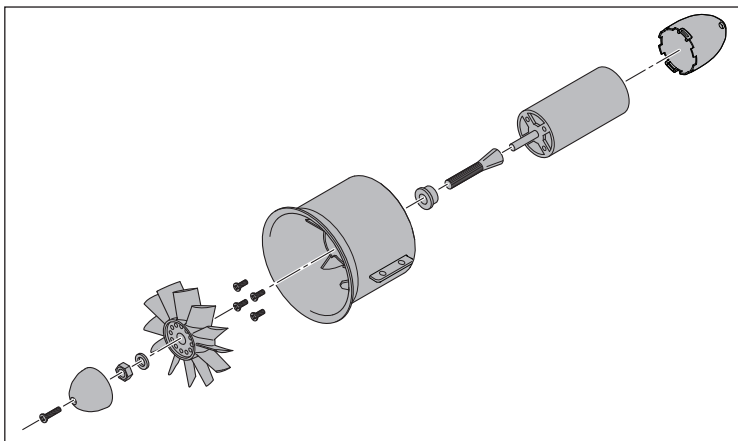


## Installation des Stromsystem und Bedienung

### Installieren des Stromversorgungssystems (ARF Plus)

Die empfohlenen Bauteile des Power Systems werden in der Spezifikationstabelle am Anfang dieses Handbuchs aufgeführt.

1. Die zwei Schrauben von der Abdeckung der Gebläseeinheit entfernen und die Abdeckung aus dem Rumpf ziehen.
2. Die Leitungen der Batterie des Geschwindigkeitsreglers und die Gasleitungen durch die kleine Öffnung an der Vorderseite des Geschwindigkeitsreglerfachs in das Akkufach führen.
3. Die Motorleitungen durch die Rinne unterhalb der Lüfterhaube führen.
4. Den Geschwindigkeitsregler im Rumpf einsetzen.
5. Motor am Gebläsegehäuse montieren.
6. Den Rotoradapter an der Motorwelle montieren.
7. Den Rotor mit Rotormutter, Bugspitze und Bugspitzenschraube am Rotoradapter anbringen. Vor dem Anbringen der Bugspitze sicherstellen, dass die Rotormutter fest angezogen ist.
8. Die Motorkabel an die Leitungen des Geschwindigkeitsreglers anschließen.
9. Die Gebläseeinheit mit den vier Schrauben an den Laschen der Gebläseeinheit in den Rumpf einsetzen.
10. Die Abdeckung der Gebläseeinheit mit den bei Schritt 1 entfernten zwei Schrauben anbringen.
11. Die Gasleitung an den Empfänger des Fluggeräts anschließen.



**ACHTUNG:** Vor der Motorwartung immer den Flugakku trennen.

### Zerlegen

1. Die zwei Schrauben von der Abdeckung der Gebläseeinheit entfernen und die Abdeckung vom Rumpf abziehen.
2. Die vier Schrauben von den Laschen der Gebläseeinheit entfernen.
3. Die Gebläseeinheit aus dem Rumpf ziehen, dabei die Reihenfolge der Verdrahtung beachten, und die Motorleitungen vom Geschwindigkeitsregler trennen.
4. Bugspitzenschraube, Bugspitze, Rotormutter und Unterlegscheibe vom Rotoradapter entfernen.
5. Den Rotor durch Abziehen vom Rotoradapter entfernen.
6. Den Rotoradapter von der Motorwelle entfernen.
7. Die vier 3mm-Sechskantschrauben, mit denen der Motor im Gebläsegehäuse befestigt ist, entfernen.

### Zusammenbau

Alles in umgekehrter Reihenfolge wieder zusammenbauen.

- Die Aderfarben der Motordrähte korrekt mit den Drähten des Geschwindigkeitsreglers verbinden.
- Den Rotor entsprechend der Abbildung einsetzen.
- Um den Rotor zu sichern, Mutter am Motoradapter anziehen.

### Nach dem Flug

- |  |
|--|
| 1. Den Flug-Akku vom Geschwindigkeitsregler trennen (für die Sicherheit und die Lebensdauer des Akkus erforderlich). |
| 2. Sender ausschalten.   |
| 3. Den Flug-Akku vom Flugzeug entfernen.   |
| 4. Akku des Fluggeräts auf Speicherspannung aufladen.  |

- |  |
|--|
| 5. Alle beschädigten Teile reparieren oder ersetzen.   |
| 6. Den Flug-Akku getrennt vom Flugzeug lagern und den Akku-Ladezustand überwachen.                         |
| 7. Mit Blick auf die Planung zukünftiger Flüge, die Flugbedingungen und Ergebnisse des Flugplans notieren. |

## AS3X Fehlerbehebung

Problem	Mögliche Ursache	Lösung
Oszillation	Beschädigter Propeller oder Spinner	Propeller oder Spinner ersetzen
	Propeller im Ungleichgewicht	Propeller ausbalancieren
	Motorvibrationen	Bauteile ersetzen oder alle Bauteile korrekt ausrichten und Befestiger festziehen, je nach Bedarf
	Loser Empfänger	Empfänger im Rumpf ausrichten und sichern
	Lose Flugzeugsteuerungen	Bauteile (Servo, Arm, Gestänge, Horn und Steueroberfläche) festziehen oder anderweitig sichern
	Verschlossene Bauteile	Verschlossene Bauteile (insbesondere Propeller, Spinner oder Servo) ersetzen
	Ungleichmäßige Servobewegungen	Servo ersetzen
Ungleichmäßige Flugleistung	Trimmung ist nicht auf Neutral	Wird die Trimmung für mehr als 8 Klicks angepasst, den Gabelkopf anpassen, um Trimmung zu entfernen
	Ersatztrimmung ist nicht auf Neutral	Keine Ersatztrimmung zugelassen. Servogestänge anpassen
	Flugzeug wurde dem Verbinden des Akkus nicht für 5 Sekunden still gehalten	Gashebel in niedrigster Position. Akku trennen, dann Akku wieder anschließen und Flugzeug für 5 Sekunden still halten
Falsche Reaktion auf den AS3X-Steuerrichtungstest	Falsche Richtungseinstellungen im Empfänger, was zu Abstürzen führen kann	Das Flugzeug NICHT fliegen. Die Richtungseinstellungen korrigieren (siehe Empfänger-Handbuch), dann fliegen

## Fehlerbehebung

Problem	Mögliche Ursache	Lösung
Flugzeug reagiert nicht auf Gas, aber auf alle anderen Steuerungen	Gas nicht im Leerlauf und/oder Gastrimmung zu hoch	Die Steuerungen mit Gashebel und Gastrimmung auf niedrigster Einstellung zurücksetzen
	Verfahrweg des Gasservo liegt unter 100 %	Sicherstellen, dass Verfahrweg des Gasservos 100 % oder höher ist
	Gaskanal ist umgekehrt	Gaskanal auf dem Sender umkehren
	Motor vom Geschwindigkeitsregler getrennt	Sicherstellen, dass der Motor mit dem Geschwindigkeitsregler verbunden ist
Zusätzliche Geräusche am Propeller oder zusätzliche Vibrationen	Beschädigter Propeller und Spinner, Klemmbuchse oder Motor	Beschädigte Bauteile ersetzen
	Propeller ist nicht in Balance	Propeller ausbalancieren oder ersetzen
	Propellermutter zu locker	Propellermutter festziehen
Flugzeit reduziert oder Flugzeug untermotorisiert	Ladezustand des Akkus ist niedrig	Flug-Akku komplett aufladen
	Propeller verkehrt herum montiert	Propeller mit Zahlen nach vorne weisend montieren
	Flug-Akku beschädigt	Flug-Akku ersetzen und Anweisungen zum Flug-Akku befolgen
	Flugbedingungen können zu kalt sein	Sicherstellen, dass der Akku vor der Verwendung warm ist
Flugzeug bindet (während des Bindens) nicht am Sender	Akku-Kapazität für die Flugbedingungen zu gering	Akku ersetzen oder einen Akku mit höherer Kapazität verwenden
	Sender während des Bindungsvorgangs zu nah am Flugzeug	Eingeschalteten Sender vom Flugzeug wegbewegen, Flug-Akku vom Flugzeug trennen und wieder anschließen
	Flugzeug oder Sender zu nah an einem großen Metallobjekt, einer drahtlosen Quelle oder einem anderen Sender	Flugzeug und Sender an eine andere Stelle bringen und das Binden erneut versuchen
	Der Bindungsstecker ist nicht richtig im Bindungsanschluss montiert	Bindungsstecker im Bindungsanschluss montieren und Flugzeug am Sender binden
	Ladezustand des Flug-Akkus/Sender-Akkus zu niedrig	Akkus ersetzen/aufladen
Flugzeug verbindet sich (während des Bindens) nicht mit dem Sender	Bindungsschalter oder -taster während des Bindungsvorgangs nicht lange genug gehalten	Sender ausschalten und den Bindungsvorgang wiederholen. Bindungsschalter oder -taster des Senders halten, bis der Empfänger gebunden ist
	Sender während des Verbindungsvorgangs zu nah am Flugzeug	Eingeschalteten Sender vom Flugzeug wegbewegen, Flug-Akku vom Flugzeug trennen und wieder anschließen
	Flugzeug oder Sender zu nah an einem großen Metallobjekt, einer drahtlosen Quelle oder einem anderen Sender	Flugzeug und Sender an eine andere Stelle bringen und das Binden erneut versuchen
	Bindungsstecker verbleibt im Bindungsanschluss montiert	Den Sender am Flugzeug binden und den Bindungsstecker entfernen, ehe die Stromzufuhr ein- und ausgeschaltet wird
	Flugzeug an einem anderen Modellspeicher gebunden (nur ModelMatch-Funkgeräte)	Korrekten Modellspeicher auf dem Sender wählen
	Ladezustand des Flug-Akkus/Sender-Akkus zu niedrig	Akkus ersetzen/aufladen
Steueroberfläche bewegt sich nicht	Der Sender kann an ein anderes Flugzeug mit einem anderen DSM-Protokoll gebunden sein	Flugzeug an den Sender binden
	Schaden an Steueroberfläche, Steuerhorn, Gestänge oder Servo	Beschädigte Bauteile ersetzen oder reparieren und Steuerungen anpassen
	Kabel beschädigt oder Verbindungen locker	Prüfung der Kabel und Verbindungen durchführen, nach Bedarf verbinden oder ersetzen
	Sender ist nicht korrekt gebunden oder das falsche Flugzeug wurde gewählt	Erneut binden oder korrektes Flugzeug im Sender wählen
	Ladezustand des Akkus ist niedrig	Flug-Akku komplett aufladen
Steuerungen umgekehrt	BEC (Akku-Sperrkreis) auf dem Geschwindigkeitsregler ist beschädigt	Geschwindigkeitsregler ersetzen
	Sendereinstellungen sind umgekehrt	Steuerrichtungstest durchführen und die Steuerungen auf dem Sender entsprechend anpassen
Motorleistung pulsiert, Motor verliert dann an Leistung	Geschwindigkeitsregler nutzt standardmäßige weiche Niedrigtrennschaltung	Flug-Akku laden oder Akku ersetzen, der nicht mehr funktioniert
	Wetterbedingungen können zu kalt sein	Flug verschieben, bis das Wetter wärmer ist
	Akku ist alt, verschlissen oder beschädigt	Akku ersetzen
	Akku-C-Kapazität möglicherweise zu gering	Empfohlenen Akku verwenden

## Ersatzteile

Teilenummer	Beschreibung
EFL17774	Tragflächen Linker: Viper 90 mm EDF
EFL17776	Tragflächen Rechter: Viper 90 mm EDF
EFL17777	Rumpf: Viper 90 mm EDF
EFL17778	Seitenleitwerk: Viper 90 mm EDF
EFL17779	Höhenleitwerk: Viper 90 mm EDF
EFL17780	Cockpit/Abdeckung: Viper 90 mm EDF
EFL17781	Bugspitze: Viper 90 mm EDF
EFL17782	Winglet-Satz: Viper 90 mm EDF
EFL17783	Gestänge: Viper 90 mm EDF
EFL17784	Steuerhörner: Viper 90 mm EDF
EFL17785	Reifensatz: Viper 90 mm EDF
EFL17786	Schraubensatz: Viper 90 mm EDF
EFL17787	Stabilisierungsflossensatz: Viper 90 mm EDF
EFL17788	Decalsatz: Viper 90 mm EDF
EFL17789	Fahrwerkklappen: Viper 90 mm EDF
EFL17790	Flügelverbindung: Viper 90 mm EDF

Teilenummer	Beschreibung
EFL17791	Beleuchtungssatz: Viper 90 mm EDF
EFL17792	Pilot: Viper 90 mm EDF
EFLA9012DF	90 mm EDF Impeller-Einheit
EFLA9012H	90 mm EDF Nabe für 12-blättrigen Rotor
EFLA9012R	90 mm EDF 12-blättriger Rotor
EFLG360	Einfahreinheit: Bugfahrwerk Viper 90 mm EDF
EFLG361	Bugverstrebung mit Rad: Viper 90 mm EDF
EFLG362	Hauptstreben mit Rad: Viper 90 mm EDF
EFLG363	Verstrebungsstifte des einziehbaren Fahrwerks: Viper 90 mm EDF
EFLG364	Einfahreinheit: Hauptgetriebe 90mm EDF
SPMAR637T	6CH SAFE und AS3X Telemetrieempfänger
SPMSA450	Servo: 13 g digitales Metallgetriebe
SPMSA450R	Servo: 13 g digitales Metallgetriebe (rückwärts)
SPMXAE1130A	Avian 130 A Bürstenloser Smart-Geschwindigkeitsregler 3-6S IC5
SPMXAM1400	Bürstenloser Inrunner-Motor 3670-1950Kv

## Empfohlene Teile

Teilenummer	Beschreibung
DYN1405	LiPo Ladeschutztasche, groß
ONXT1000	Ultimativer Anfänger-Werkzeugsatz für Luft/Boden
SPMR8105	Nur DX8e-Sender mit 8 Kanälen

Teilenummer	Beschreibung
SPMX2020	S1200 G2 AC 1x200 W Smart-Ladegerät
SPMX50006S30	22,2 V 5000 mAh 6 S 30C Smart LiPo-Akku, IC5
SPMXBC100	XBC100 Smart-LiPo-Akkuprüfer und Servotreiber

## Optionale Teile

Teilenummer	Beschreibung
SPM6708	Spektrum Einzelsender-Koffer
SPMR10100	Nur NX10-Sender mit 10 Kanälen
SPMR8200	Nur NX8-DSMX-Sender mit 8 Kanälen
SPMX46S50	22,2 V 4000 mAh 6S 50C Smart LiPo-Akku G2, IC5
SPMX56S100	22,2 V 5000 mAh 6S 100C Smart LiPo-Akku G2, IC5
SPMX76S30	22,2 V 7000 mAh 6S 30C Smart LiPo-Akku G2, IC5
SPMX40006S30	22,2 V 4000 mAh 6S 30C Smart LiPo-Akku, IC5

Teilenummer	Beschreibung
SPMX40006S50	22,2 V 4000 mAh 6 S 50C Smart LiPo-Akku G2, IC5
SPMX50006S100	22,2 V 5000 mAh 6 S 100C Smart LiPo-Akku, IC5
SPMX70006S30	22,2 V 7000 mAh 6S 30C Smart LiPo-Akku, IC5
SPMXC1010	Smart S2100 Wechselstrom-Ladegerät, 2 x 100 W
SPMXC2010	Smart S2200 G2 Wechselstrom-Ladegerät, 2 x 200 W
SPMXCA200	Avian Firma Smart ESC Programmer

## Empfohlene Empfänger (ARF Plus)

Teilenummer	Beschreibung
<b>Empfänger mit Telemetrie</b>	
SPMAR6610T	AR6610T 6-Kanal-Flugzeugempfänger mit integrierter Telemetrie
SPMAR8020T	AR8020T 8-Kanal-Flugzeugempfänger mit integrierter Telemetrie

Teilenummer	Beschreibung
<b>AS3X- und Telemetrieempfänger</b>	
SPMAR637T	AR637T DSMX 6-Kanal AS3X Telemetrie-Empfänger
SPMAR8360T	AR8360T DSMX 8-Kanal AS3X und SAFE Telemetrie-Empfänger

## Haftungsbeschränkung

**Warnung**—Ein ferngesteuertes Modell ist kein Spielzeug. Es kann, wenn es falsch eingesetzt wird, zu erheblichen Verletzungen bei Lebewesen und Beschädigungen an Sachgütern führen. Betreiben Sie Ihr RC-Modell nur auf freien Plätzen und beachten Sie alle Hinweise der Bedienungsanleitung des Modells wie auch der Fernsteuerung.

**Garantiezeitraum**—Exklusive Garantie Horizon Hobby LLC (Horizon) garantiert, dass das gekaufte Produkt frei von Material- und Montagefehlern ist. Der Garantiezeitraum entspricht den gesetzlichen Bestimmungen des Landes, in dem das Produkt erworben wurde. In Deutschland beträgt der Garantiezeitraum 6 Monate und der Gewährleistungszeitraum 18 Monate nach dem Garantiezeitraum.

**Einschränkungen der Garantie**—(a) Die Garantie wird nur dem Erstkäufer (Käufer) gewährt und kann nicht übertragen werden. Der Anspruch des Käufers besteht in der Reparatur oder dem Tausch im Rahmen dieser Garantie. Die Garantie erstreckt sich ausschließlich auf Produkte, die bei einem autorisierten Horizon Händler erworben wurden. Verkäufe an Dritte werden von dieser Garantie nicht gedeckt. Garantieansprüche werden nur angenommen, wenn ein gültiger Kaufnachweis erbracht wird. Horizon behält sich das Recht vor, diese Garantiebestimmungen ohne Ankündigung zu ändern oder modifizieren und widerruft dann bestehende Garantiebestimmungen.

(b) Horizon übernimmt keine Garantie für die Verkaufbarkeit des Produktes, die Fähigkeiten und die Fitness des Verbrauchers für einen bestimmten Einsatzzweck des Produktes. Der Käufer allein ist dafür verantwortlich, zu prüfen, ob das Produkt seinen Fähigkeiten und dem vorgesehenen Einsatzzweck entspricht.

(c) Ansprüche des Käufers → Es liegt ausschließlich im Ermessen von Horizon, ob das Produkt, bei dem ein Garantiefall festgestellt wurde, repariert oder ausgetauscht wird. Dies sind die exklusiven Ansprüche des Käufers, wenn ein Defekt festgestellt wird.

Horizon behält sich vor, alle eingesetzten Komponenten zu prüfen, die in den Garantiefall einbezogen werden können. Die Entscheidung zur Reparatur oder zum Austausch liegt nur bei Horizon. Die Garantie schließt kosmetische Defekte oder Defekte, hervorgerufen durch höhere Gewalt, falsche Behandlung des Produktes, falscher Einsatz des Produktes, kommerziellen Einsatz oder Modifikationen irgendwelcher Art aus.

Die Garantie schließt Schäden, die durch falschen Einbau, falsche Handhabung, Unfälle, Betrieb, Service oder Reparaturversuche, die nicht von Horizon ausgeführt wurden aus.

Ausgeschlossen sind auch Fälle die bedingt durch (vii) eine Nutzung sind, die gegen geltendes Recht, Gesetze oder Regularien verstoßen haben. Rücksendungen durch den Käufer direkt an Horizon oder eine seiner Landesvertretung bedürfen der Schriftform.

**Schadensbeschränkung**—Horizon ist nicht für direkte oder indirekte Folgeschäden, Einkommensausfälle oder kommerzielle Verluste, die in irgendeinem Zusammenhang mit dem Produkt stehen verantwortlich, unabhängig ab ein Anspruch im Zusammenhang mit einem Vertrag, der Garantie oder der Gewährleistung erhoben werden. Horizon wird darüber hinaus keine Ansprüche aus einem Garantiefall akzeptieren, die über den individuellen Wert des Produktes hinaus gehen. Horizon hat keinen Einfluss auf den Einbau, die Verwendung oder die Wartung des Produktes oder etwaiger Produktkombinationen, die vom Käufer gewählt werden. Horizon übernimmt keine Garantie und akzeptiert keine Ansprüche für in der Folge auftretende Verletzungen oder Beschädigungen. Mit der Verwendung und dem Einbau des Produktes akzeptiert der Käufer alle aufgeführten Garantiebestimmungen ohne Einschränkungen und Vorbehalte.

Wenn Sie als Käufer nicht bereit sind, diese Bestimmungen im Zusammenhang mit der Benutzung des Produktes zu akzeptieren, werden Sie gebeten, das Produkt in unbenutztem Zustand in der Originalverpackung vollständig bei dem Verkäufer zurückzugeben.

**Sicherheitshinweise**—Dieses ist ein hochwertiges Hobby Produkt und kein Spielzeug. Es muss mit Vorsicht und Umsicht eingesetzt werden und erfordert einige mechanische wie auch mentale Fähigkeiten. Ein Versagen, das Produkt sicher und umsichtig zu betreiben kann zu Verletzungen von Lebewesen und Sachbeschädigungen erheblichen Ausmaßes führen. Dieses Produkt ist nicht für den Gebrauch durch Kinder ohne die Aufsicht eines Erziehungsberechtigten vorgesehen. Die Anleitung enthält Sicherheitshinweise und Vorschriften sowie Hinweise für die Wartung und den Betrieb des Produktes. Es ist unabdingbar, diese Hinweise vor der ersten Inbetriebnahme zu lesen und zu verstehen. Nur so kann der falsche Umgang verhindert und Unfälle mit Verletzungen und Beschädigungen vermieden werden.

**Fragen, Hilfe und Reparaturen**—Ihr lokaler Fachhändler und die Verkaufsstelle können eine Garantiebeurteilung ohne Rücksprache mit Horizon nicht durchführen. Dies gilt auch für Garantiereparaturen. Deshalb kontaktieren Sie in einem solchen Fall den Händler, der sich mit Horizon kurz schließen wird, um eine sachgerechte Entscheidung zu fällen, die Ihnen schnellst möglich hilft.

**Wartung und Reparatur**—Muss Ihr Produkt gewartet oder repariert werden, wenden Sie sich entweder an Ihren Fachhändler oder direkt an Horizon.

Rücksendungen / Reparaturen werden nur mit einer von Horizon vergebenen RMA Nummer bearbeitet. Diese Nummer erhalten Sie oder ihr Fachhändler vom technischen Service. Mehr Informationen dazu erhalten Sie im Serviceportal unter [www.horizon-hobby.de](http://www.horizon-hobby.de) oder telefonisch bei dem technischen Service von Horizon.

Packen Sie das Produkt sorgfältig ein. Beachten Sie, dass der Originalkarton in der Regel nicht ausreicht, um beim Versand nicht beschädigt zu werden. Verwenden Sie einen Paketdienstleister mit einer Tracking Funktion und Versicherung, da Horizon bis zur Annahme keine Verantwortung für den Versand des Produktes übernimmt. Bitte legen Sie dem Produkt einen Kaufbeleg bei, sowie eine ausführliche Fehlerbeschreibung und eine Liste aller eingesendeten Einzelkomponenten. Weiterhin benötigen wir die vollständige Adresse, eine Telefonnummer für Rückfragen, sowie eine Email Adresse.

**Garantie und Reparaturen**—Garantieanfragen werden nur bearbeitet, wenn ein Originalkaufbeleg von einem autorisierten Fachhändler beiliegt, aus dem der Käufer und das Kaufdatum hervorgeht. Sollte sich ein Garantiefall bestätigen wird das Produkt repariert oder ersetzt. Diese Entscheidung obliegt einzig Horizon Hobby.

**Kostenpflichtige Reparaturen**—Liegt eine kostenpflichtige Reparatur vor, erstellen wir einen Kostenvoranschlag, den wir Ihrem Händler übermitteln. Die Reparatur wird erst vorgenommen, wenn wir die Freigabe des Händlers erhalten. Der Preis für die Reparatur ist bei Ihrem Händler zu entrichten. Bei kostenpflichtigen Reparaturen werden mindestens 30 Minuten Werkstattzeit und die Rückversandkosten in Rechnung gestellt. Sollten wir nach 90 Tagen keine Einverständniserklärung zur Reparatur vorliegen haben, behalten wir uns vor, das Produkt zu vernichten oder anderweitig zu verwerten.

**ACHTUNG:** Kostenpflichtige Reparaturen nehmen wir nur für Elektronik und Motoren vor. Mechanische Reparaturen, besonders bei Hubschraubern und RC-Cars sind extrem aufwendig und müssen deshalb vom Käufer selbst vorgenommen werden.

10/15

## Garantie und Service Kontaktinformationen

Land des Kauf	Horizon Hobby	Telefon/E-mail Adresse	Adresse
Europäische Union	Horizon Technischer Service Sales: Horizon Hobby GmbH	service@horizonhobby.de +49 (0) 4121 2655 100	Hanskampring 9 D 22885 Barsbüttel, Germany

## Konformitätshinweise für die Europäische Union

**CE EU Konformitätserklärung**  
**EFL Smart Viper ARF (EFL17770):** Horizon LLC erklärt hiermit, dass dieses Produkt konform zu den essentiellen Anforderungen der EMC Direktive ist. EU-Richtlinie über Funkanlagen 2014/53/EU, RoHS 2-Richtlinie 2011/65 / EU, RoHS 3-Richtlinie - Änderung 2011/65 / EU-Anhang II 2015/863.

**EFL Smart Viper EDF (EFL17750):** Horizon LLC erklärt hiermit, dass dieses Produkt konform zu den essentiellen Anforderungen der RED und EMC Direktive ist, RoHS 2-Richtlinie 2011/65 / EU, RoHS 3-Richtlinie - Änderung 2011/65 / EU-Anhang II 2015/863.

Der vollständige Text der EU-Konformitätserklärung ist unter folgender Internetadresse abrufbar: <https://www.horizonhobby.com/content/supporttrender-compliance>.

**Wireless-Frequenzbereich und Wireless-Ausgangsleistung:**

2402 – 2478 MHz  
19.95dBm

**WEEE-HINWEIS:**



Dieses Gerät ist gemäß der Europäischen Richtlinie 2012/19/EU über Elektro- und Elektronik-Altgeräte (WEEE) gekennzeichnet. Dieses Symbol weist darauf hin, dass dieses Produkt kein normaler Haushaltsabfall ist, sondern in einer entsprechenden Sammelstelle für Elektro- und Elektronik-Altgeräte entsorgt werden muss.

**Eingetragener EU-Hersteller:**

Horizon Hobby, LLC  
2904 Research Road  
Champaign, IL 61822 USA

**Eingetragener EU-Importeur:**

Horizon Hobby, GmbH  
Hanskampring 9  
22885 Barsbüttel Germany



## REMARQUE

Toutes les instructions, garanties et autres documents de garantie sont sujets à la seule discrétion de Horizon Hobby, LLC. Veuillez, pour une littérature produits bien à jour, visiter [www.horizonhobby.com](http://www.horizonhobby.com) ou [www.towerhobbies.com](http://www.towerhobbies.com) et cliquer sur l'onglet de support de ce produit.


## SIGNIFICATION DE CERTAINS TERMES SPÉCIFIQUES

Les termes suivants sont utilisés dans l'ensemble du manuel pour indiquer différents niveaux de danger lors de l'utilisation de ce produit :

**AVERTISSEMENT** : Procédures qui, si elles ne sont pas suivies correctement, peuvent entraîner des dégâts matériels et des blessures graves OU engendrer une probabilité élevée de blessure superficielle.

**ATTENTION** : Procédures qui, si elles ne sont pas suivies correctement, peuvent entraîner des dégâts matériels ET des blessures graves.

**REMARQUE** : Procédures qui, si elles ne sont pas suivies correctement, peuvent entraîner des dégâts matériels ET éventuellement un faible risque de blessures.


 **AVERTISSEMENT** : Lisez la TOTALITÉ du manuel d'utilisation afin de vous familiariser avec les caractéristiques du produit avant de le faire fonctionner. Une utilisation incorrecte du produit peut entraîner sa détérioration, ainsi que des risques de dégâts matériels, voire de blessures graves. Ceci est un produit de loisirs sophistiqué. Il doit être manipulé avec prudence et bon sens et requiert des aptitudes de base en mécanique. Toute utilisation irresponsable de ce produit ne respectant pas les principes de sécurité peut provoquer des blessures, entraîner des dégâts matériels et endommager le produit. Ce produit n'est pas destiné à être utilisé par des enfants sans la surveillance directe d'un adulte. N'essayez pas de démonter le produit, de l'utiliser avec des composants incompatibles ou d'en améliorer les performances sans l'accord d'Horizon Hobby, LLC. Ce manuel comporte des instructions relatives à la sécurité, au fonctionnement et à l'entretien. Il est capital de lire et de respecter la totalité des instructions et avertissements du manuel avant l'assemblage, le réglage et l'utilisation, ceci afin de manipuler correctement l'appareil et d'éviter tout dégât matériel ou toute blessure grave.

**14 ans et plus. Ceci n'est pas un jouet.**

## Précautions et Avertissements Liés à la Sécurité

En tant qu'utilisateur de ce produit, il est de votre seule responsabilité de le faire fonctionner d'une manière qui ne mette en danger ni votre personne, ni de tiers et qui ne provoque pas de dommages au produit lui-même ou à la propriété d'autrui.

- Gardez une bonne distance de sécurité tout autour de votre modèle, afin d'éviter les collisions ou les blessures. Ce modèle est contrôlé par un signal radio, qui peut être soumis à des interférences provenant de nombreuses sources hors de votre contrôle. Une interférence peut provoquer une perte momentanée de contrôle.
- Faites toujours fonctionner votre modèle dans une zone dégagée, à l'écart de voitures, du trafic et des personnes.
- Respectez toujours scrupuleusement les instructions et les mises en garde concernant ce produit et tous les équipements optionnels/complémentaires (chargeurs, batteries rechargeables, etc.) que vous utilisez.
- Tenez tous les produits chimiques, les petites pièces et les composants électroniques hors de portée des enfants.
- Évitez toujours d'exposer à l'eau tout équipement non spécifiquement conçu et protégé à cet effet. L'humidité endommage les composants électroniques.
- Ne léchez et ne mettez jamais en bouche quelque partie de votre modèle que ce soit - risque de blessures graves voire danger de mort.
- Ne faites jamais fonctionner votre modèle lorsque les batteries de l'émetteur sont faibles.
- Gardez toujours le modèle à vue et gardez-en toujours le contrôle.
- Utilisez toujours des batteries complètement chargées.
- Gardez toujours l'émetteur sous tension lorsque le modèle est en marche.
- Enlevez toujours les batteries avant le démontage.
- Veillez toujours à ce que les pièces en mouvement soient propres.
- Veillez toujours à ce que toutes les pièces soient sèches.
- Laissez toujours le temps aux pièces de refroidir avant de les toucher.
- Enlevez toujours les batteries après utilisation.
- Assurez-vous toujours que la sécurité (failsafe) est configurée correctement avant de voler.
- Ne faites jamais voler un modèle dont le câblage est endommagé.
- Ne touchez jamais des pièces en mouvement.

 **AVERTISSEMENT CONTRE LES PRODUITS CONTREFAITS**: Si un jour vous aviez besoin de remplacer un récepteur Spektrum équipant un produit Horizon Hobby, achetez-le uniquement chez Horizon Hobby, LLC ou chez un revendeur officiel Horizon Hobby, vous serez sûr d'obtenir un produit Spektrum authentique de haute qualité. Horizon Hobby, LLC décline tout service et garantie concernant la compatibilité et les performances des produits contrefaits ou des produits clamant la compatibilité avec la technologie Spektrum ou le DSM.

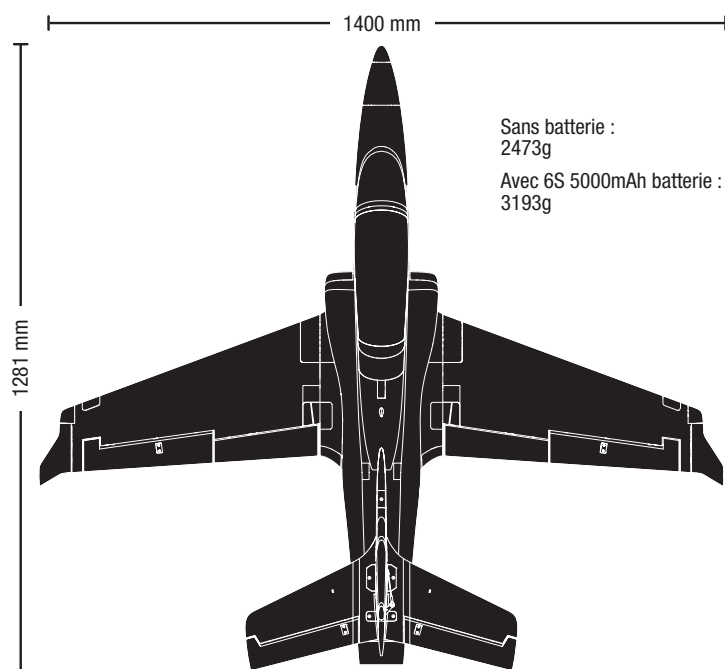


## Informations de démarrage rapide

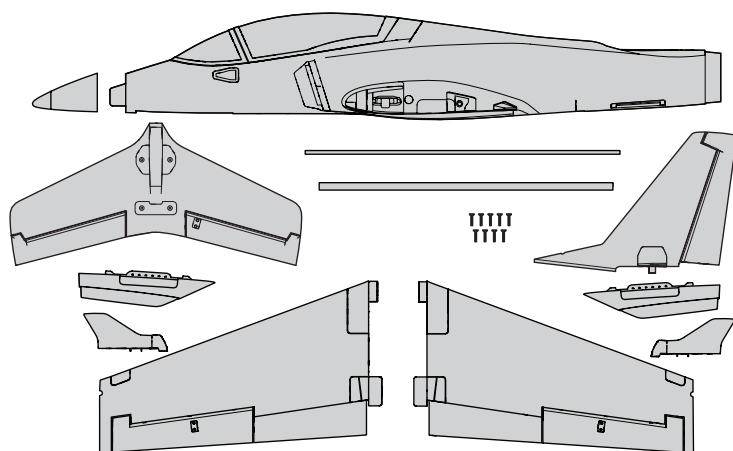
Configuration de l'émetteur	Configurez votre émetteur à l'aide du tableau de configuration de l'émetteur	
	Petit débattement	Grand débattement
<b>Doubles débattements</b>	<b>Aileron :</b> Mesuré au niveau de l'extrémité intérieure ▲ = 11mm ▼ = 11mm	▲ = 16mm ▼ = 16mm
	<b>Gouverne de profondeur :</b> Mesuré au niveau de l'extrémité intérieure ▲ = 10mm ▼ = 10mm	▲ = 14mm ▼ = 14mm
	<b>Gouvernail :</b> mesuré à la base du gouvernail ▶ = 19mm ◀ = 19mm	▶ = 25mm ◀ = 25mm
<b>Centre de gravité (CG)</b>	10mm (± 7mm) du bord arrière de la structure de montage d'aile en plastique avant	
<b>Réglage du minuteur de vol</b>	3,5 minutes	

## Spécifications

	<b>BNF BASIC</b>	<b>ARF Plus</b>
<b>Moteur :</b> à rotor intérieur sans balais 3670-1950 Kv 4 pôles (SPMXAM1400)	Installé	Requis
<b>ESC :</b> Variateur ESC Smart sans balais 130 A Avian (SPMXAE1130A)	Installé	Requis
<b>Servos :</b> Aileron : (2) Spektrum SPMSA450 ; Gouverne de profondeur gauche : (1) Spektrum SPMSA450 ; Gouverne de profondeur droite : (1) Spektrum SPMSA450R ; Gouvernail : (1) Spektrum SPMSA450R ; Direction de la roue avant : (1) Spektrum SPMSA450	Installé	Installé
<b>Récepteur :</b> récepteur de télémétrie AS3X/SAFE 6 canaux Spektrum™ AR637TA (SPMAR637T)	Installé	Requis
<b>Batterie recommandée :</b> 22,2 V 6S 5 000 mAh 30C	Requis	Requis
<b>Chargeur de batterie recommandé :</b> chargeur à équilibrage pour batterie Li-Po à 6 cellules	Requis	Requis
<b>Émetteur recommandé :</b> 6 canaux, pleine portée, 2,4 GHz avec technologie Spektrum DSM2/DSMX®, avec doubles débattements ajustables	Requis	Requis



## Contenu de la boîte



## Table des matières

Technologie SAFE Select ( <i>BNF Basic</i> ) .....	36
Liste des opérations à effectuer avant le vol .....	36
Assemblage du modèle .....	36
Installation du récepteur ( <i>ARF Plus</i> ) .....	38
Configuration de l'émetteur ( <i>BNF Basic</i> ) .....	38
Installation de la batterie et armement du variateur ESC .....	39
Centre de gravité .....	39
Failsafe et Conseils généraux pour affectation .....	40
Affectation de l'émetteur et du récepteur / Activation et désactivation de SAFE Select .....	40
Désignation du commutateur SAFE Select .....	41
Centrage des surfaces de commande .....	41
Test de contrôle de la direction .....	42
Réglages aux guignols et aux palonniers de servos .....	42
Doubles débattements et contrôle .....	43
Essai de la réponse de l'AS3X ( <i>BNF Basic</i> ) .....	43
Réglage des trims en vol ( <i>BNF Basic</i> ) .....	43
Conseils de vol et réparations .....	44
Conseils de vol en mode SAFE Select .....	44
Installation et entretien du système d'alimentation .....	45
Maintenance après vol .....	45
Guide de dépannage AS3X .....	46
Guide de dépannage .....	46
Pièces de rechange .....	47
Pièces recommandées .....	47
Pièces facultatives .....	47
Récepteurs recommandés ( <i>ARF Plus</i> ) .....	47
Garantie et réparations .....	48
Informations de contact pour garantie et réparation .....	48
Informations IC .....	49
Informations de conformité pour l'Union européenne .....	49

## Technologie SAFE Select (BNF Basic)

La version BNF Basic de cet avion intègre la technologie SAFE Select, qui peut offrir un niveau de protection supplémentaire en vol. Utilisez les instructions suivantes pour activer le système SAFE Select et l'affecter à un commutateur. Lorsque cette option est activée, SAFE Select empêche l'avion de bouger ou de tanguer au-delà de limites prédéterminées, et un auto-nivellement automatique garde l'avion en vol droit et horizontal lorsque les ailerons, les élévateurs et les gouvernes sont au point mort.

SAFE Select est activée ou désactivée pendant le processus d'affectation, ou elle peut être activée via la Programmation en aval. Lorsque l'appareil est affecté

avec SAFE Select activée, un commutateur peut être attribué pour basculer entre l'activation et la désactivation de SAFE Select. La technologie AS3X® reste constamment active.

SAFE Select peut être configuré de trois manières différentes:

- SAFE Select Off: Toujours en mode AS3X
- SAFE Select On - aucun commutateur attribué: Toujours en mode SAFE Select
- SAFE Select On avec un commutateur attribué

## Liste des opérations à effectuer avant le vol

1. Retirez les éléments de la boîte et inspectez-les.
2. Lisez attentivement le présent manuel d'utilisation.
3. Chargez la batterie de vol.
4. Programmez votre émetteur à partir du tableau des paramètres émetteur.
5. Assemblez le modèle complètement.
6. Installez la batterie dans le modèle (Une fois la charge terminée).
7. Vérifiez la position du centre de gravité (CG).
8. Affectez votre émetteur au modèle.

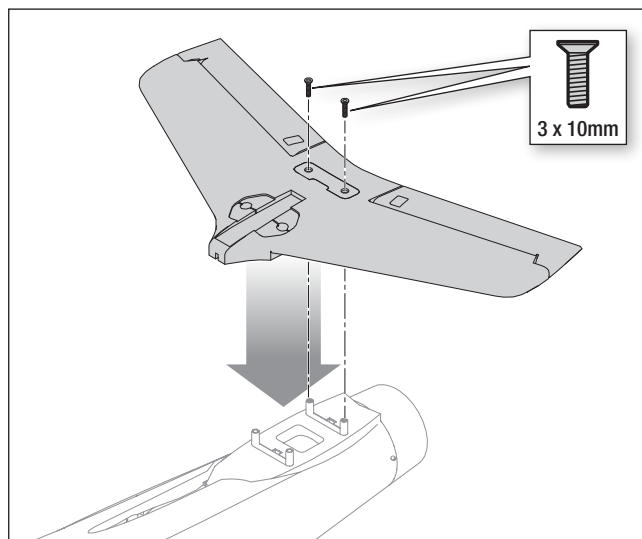
9. Vérifiez que les tringleries bougent librement.
10. Contrôlez le fonctionnement des volets.
11. Effectuez le test des commandes à l'aide de l'émetteur.
12. Effectuez un essai de la réponse de l'AS3X.
13. Réglez les tringleries et l'émetteur.
14. Effectuez un essai de portée radio.
15. Trouvez un lieu dégagé et sûr.
16. Planifiez votre vol en fonction des conditions du terrain.

## Assemblage du modèle

### Installation du stabilisateur horizontal

1. Branchez les connecteurs du servo de la gouverne de profondeur aux extensions dans le fuselage étiqueté ELEV. Faites passer l'excédent du câble du servo dans le fuselage.
2. Enfoncez le stabilisateur horizontal sur les quatre montants du stabilisateur au niveau du fuselage, en vous assurant qu'aucun câble du servo n'est coincé.
3. Insérez deux vis 3 x 10 mm à travers la surface horizontale et dans les trous arrière du fuselage.

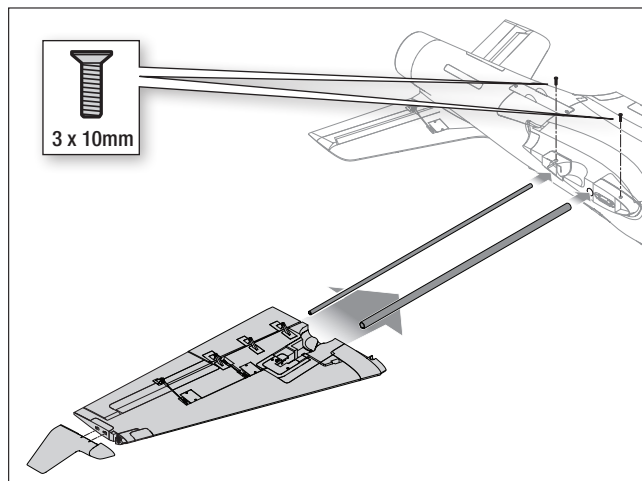
**CONSEIL :** clé hexagonale de 2 mm nécessaire. Ne serrez pas trop les vis.



### Installation des ailes

1. Retournez le fuselage.
2. Insérez le tube d'aile le plus court dans l'orifice avant du fuselage (530 mm x 12,6 mm).
3. Insérez le tube d'aile le plus long dans l'orifice arrière du fuselage (580 mm x 7,8 mm).
4. Faites glisser le panneau d'aile gauche dans sa position sur les tubes d'aile, en vous assurant que les connecteurs mains libres sont alignés et s'encastrent complètement l'un dans l'autre.
5. Fixez l'aile sur le fuselage avec deux vis 3 x 10 mm.

**CONSEIL :** clé hexagonale de 2 mm nécessaire. Ne serrez pas trop les vis. Répétez la procédure pour le panneau d'aile droit.

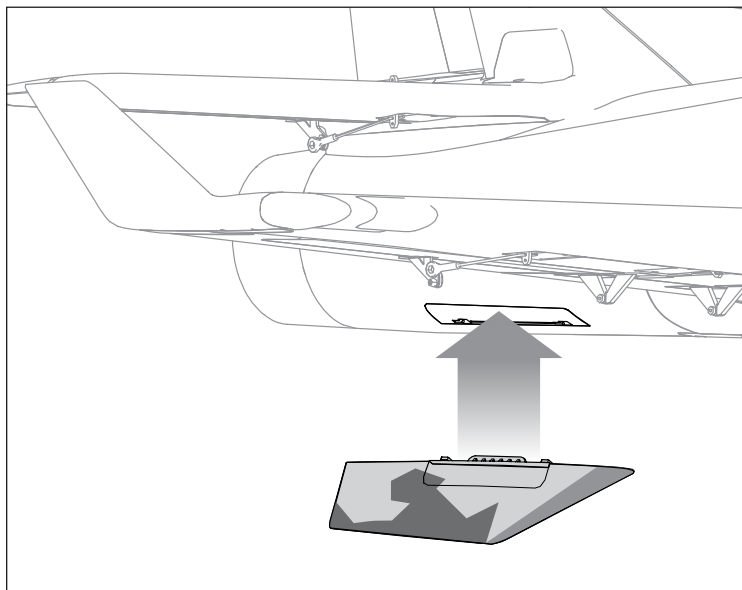


## Installation de la dérive ventrale

1. Insérez l'ailette ventrale gauche dans le fuselage et faites-la glisser vers l'arrière pour la fixer.

**CONSEIL :** Le côté gris doit être tourné vers l'intérieur et le côté détaillé doit être tourné vers l'extérieur.

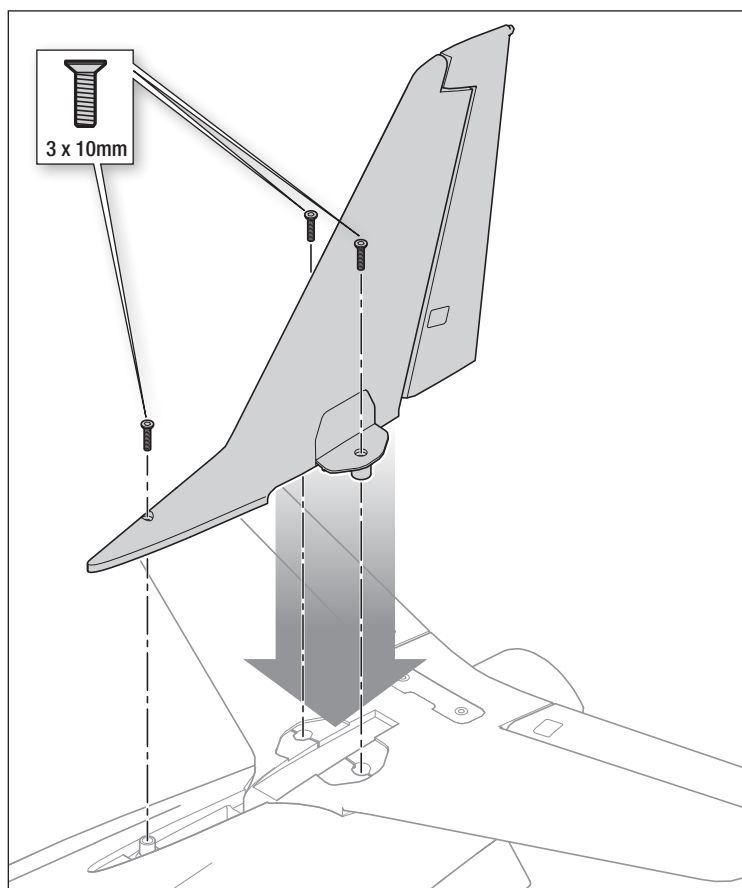
2. Insérez l'ailette ventrale droite dans le fuselage et faites-la glisser vers l'arrière pour la fixer.



## Installation de la queue verticale

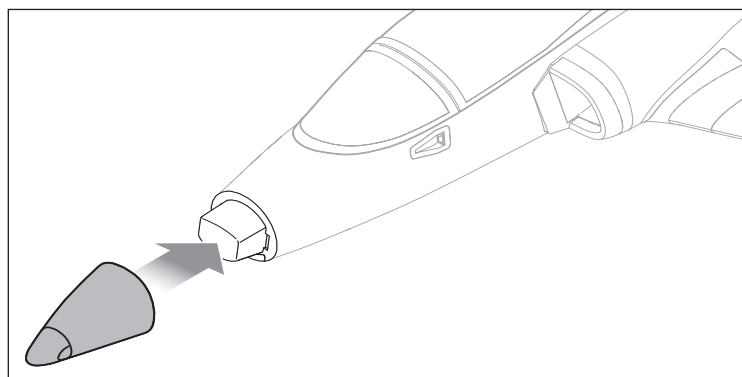
1. Branchez le connecteur du servo de la gouverne aux extensions dans le fuselage étiqueté RUDD. Faites passer l'excédent du câble du servo dans le fuselage.
2. Insérez l'empennage vertical dans le trou de l'empennage horizontal et dans le fuselage, en vous assurant qu'aucun câble du servo n'est coincé.
3. Insérez trois vis 3 x 10 mm à travers l'empennage vertical et dans le fuselage. Ne serrez pas trop les vis.

**CONSEIL :** clé hexagonale de 2 mm nécessaire. Ne serrez pas trop les vis.



## Installation du cône de nez

Alignez et fixez le cône de nez sur le fuselage. Des aimants fixeront le cône de nez.



## Installation du récepteur (ARF Plus)

Le récepteur Spektrum AR637T est recommandé sur cet appareil. Si vous souhaitez installer un autre récepteur, assurez-vous qu'il s'agit au moins d'un récepteur à 6 canaux de pleine portée (sport). Consultez le manuel du récepteur pour les bonnes instructions sur l'installation et le fonctionnement.

### Installation (AR637T en illustration)

1. Montez le récepteur parallèle à la longueur du fuselage, comme illustré. Utilisez un ruban adhésif double face pour servo robuste.

**REMARQUE :** l'installation incorrecte du récepteur peut provoquer un crash.

2. Fixez les surfaces de commande appropriées sur leurs ports respectifs du récepteur à l'aide du tableau présenté dans l'illustration.

### Attribution des ports de l'AR637

**BND/PRG = AFFECTATION**

**1 = Gaz**

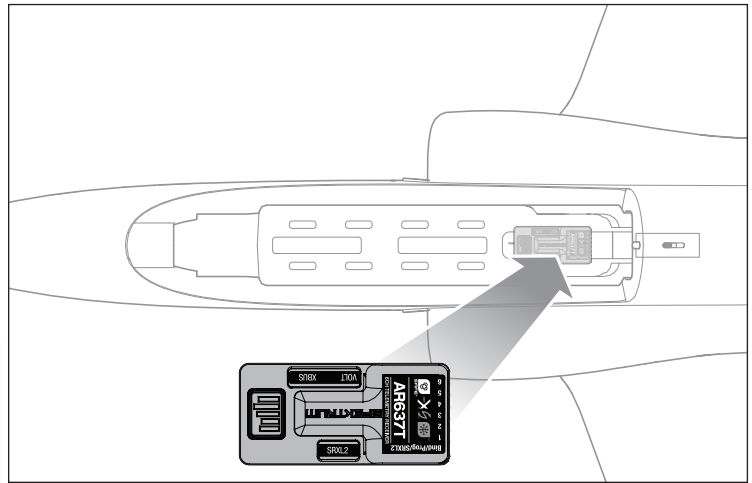
**2 = Ailerons**

**3 = Gouverne de profondeur**

**4 = Gouverne de direction**

**5 = Retracts (systèmes de rentrée)**

**6 = Volet**



## Configuration de l'émetteur (BNF Basic)

**IMPORTANT :** après avoir configuré votre modèle, réaffectez toujours l'émetteur et le récepteur pour régler les positions de sécurité intégrée souhaitées.

Le canal GEAR (CH 5) contrôle le train d'atterrissage rétractable. Si vous utilisez un émetteur à 6 canaux, le canal FLAP (CH 6) peut être utilisé pour le basculement du SAFE Select. Avec les valeurs listées ci-dessous, il activera le SAFE pour les positions des volets à moitié sortis et entièrement sortis, et l'AS3X sera activé pour la position sans volets.

Afin d'utiliser le canal flap (volet) pour le commutateur SAFE Select, les valeurs doivent être configurées sur +100 et -100 et la vitesse fixée à 0 temporairement pour affecter le commutateur Safe dans le menu du système des volets. Ensuite, remettez les valeurs des systèmes de volets à celles sur la liste de configuration TX. Consultez la section de désignation du commutateur SAFE Select de ce manuel afin d'affecter le commutateur pour le SAFE Select.

### Doubles débattements

**Essayez vos premiers vols en Low Rate (petit débattement). Pour les atterrissages, utilisez la gouverne de profondeur avec un grand débattement.**

**REMARQUE :** Pour vous assurer que la technologie AS3X fonctionne correctement, ne diminuez pas les valeurs de débattement en dessous de 50 %. Si moins de déviation de contrôle est souhaitable, ajustez manuellement la position des barres de liaison sur le bras de servo

**REMARQUE :** si vous constatez une oscillation à grande vitesse, consultez le guide de dépannage pour obtenir de plus amples informations.

### Exponentiel

Après les premiers vols, vous pouvez ajuster l'expo sur votre émetteur.

\*Certaines des terminologies et des localisations des fonctions utilisées dans la programmation iX12 et iX20 peuvent être légèrement différentes de celles des autres radios Spektrum AirWare™. Les noms donnés entre parenthèses correspondent à la terminologie de programmation iX12 et iX20. Consultez le manuel de votre émetteur pour obtenir des informations spécifiques sur la programmation de votre émetteur.

\*Les valeurs de programmation du volet peuvent varier légèrement. Pour vos vols initiaux, utilisez les réglages de course des volets et ajustez la course du volet à votre préférence pour les vols ultérieurs.

### Configuration informatisée de l'émetteur

Configuration informatisée de l'émetteur		
Démarrez toutes les programmations de l'émetteur avec un modèle vierge ACRO (effectuez une réinitialisation du modèle), puis nommez le modèle.		
Configurez les Dual Rates (doubles débattements) sur	HIGH (ÉLEVÉ) 100 %	LOW (FAIBLE) 70 %
Configurez la Servo Travel (course du servo) sur	100 %	
Configurez le Throttle Cut (arrêt du moteur) sur	-100%	
Configurez le Retract Channel (canal de rétractation) sur	Marche arrière	
Configurez Aileron Expo sur	High Rate (grand débattement) 10 %	Low Rate (petit débattement) 5 %
Configurez Elevator Expo (gouverne de profondeur) sur	High Rate (grand débattement) 10 %	Low Rate (petit débattement) 5 %
Configurez Rudder Expo (gouverne) sur	High Rate (grand débattement) 10 %	Low Rate (petit débattement) 5 %
DXS	Consultez <a href="http://spektrumrc.com">spektrumrc.com</a> pour connaître la configuration appropriée de téléchargement.	
DX7S DX8	1. Accédez à SYSTEM SETUP (CONFIGURATION DU SYSTÈME)	
	2. Configurez le MODEL TYPE (TYPE DE MODÈLE) : AIRPLANE (AVION)	
	3. Définissez le WING TYPE (TYPE D'AILE) : 1 AIL; 1 FLP	
	4. Dans SYSTEME DES VOILETS POS 0: 100%VOLET* 0% GOUVERNE DE PROFONDEUR POS 1: 0%VOLET* -3% GOUVERNE DE PROFONDEUR POS 2: -100%VOLET* -5% GOUVERNE DE PROFONDEUR Sélectionnez: INTER D Vitesse: 2.0S	
DX6e DX6 (G2) DX7 (G2) DX8e DX8 (G2) DX9 DX10t DX18 DX20 iX12 iX20 NX6 NX8 NX10	1. Allez au SYSTEM SETUP (CONFIGURATION DU SYSTÈME) (Model Utilities [équipements du modèle])†	
	2. Configurez le MODEL TYPE (TYPE DE MODÈLE) : AIRPLANE (AVION)	
	3. Définissez l'AIRCRAFT TYPE (TYPE D'APPAREIL)† (configuration du modèle, type d'appareil)† : WING (AILE) : 1 AIL; 1 FLP	
	4. Définissez le CHANNEL ASSIGN (ATTRIBUTION DU CANAL) (configuration du modèle, attribution de canal)† : (attributions du commutateur par défaut avec une nouvelle configuration du modèle) Gear (CH5) : SWITCH A (commutateur A)	
	5. Dans SYSTEME DES VOILETS Sélectionnez: INTER D POS 0: 100%VOLET* -0% GOUVERNE DE PROFONDEUR POS 1: 0%VOLET* -3% GOUVERNE DE PROFONDEUR POS 2: -100%VOLET* -5% GOUVERNE DE PROFONDEUR Vitesse: 2.0S	

## Installation de la batterie et armement du variateur ESC

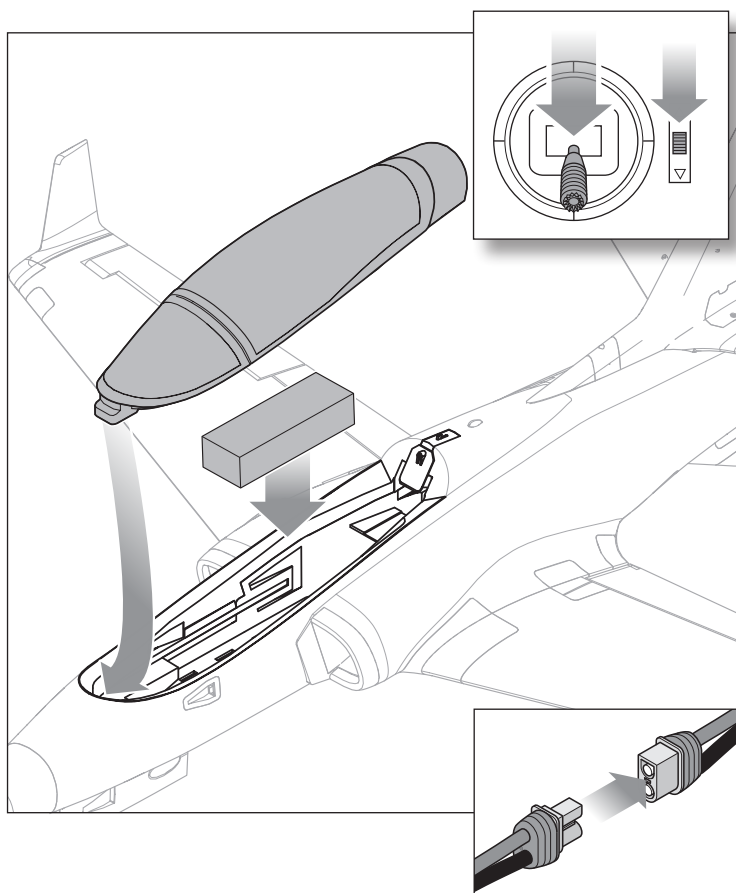
### Choix de la batterie

Une batterie 6S de 4 000–7 000 mAh Li-Po est requise. La batterie Spektrum 5 000 mAh 22,2 V 6S 30 C Li-Po (SPMX50006S30) est recommandée. Consultez la liste des pièces disponibles en option pour connaître les autres batteries recommandées. Si vous utilisez une autre batterie que celles indiquées, elle doit être dans la même gamme de capacité, de dimensions et de poids que les packs de batteries Spektrum Li-Po pour s'insérer dans le fuselage. Assurez-vous que le modèle est équilibré au niveau du CG recommandé avant de le faire voler.

1. Baissez les gaz et le compensateur des gaz aux niveaux les plus bas. Allumez l'émetteur, puis attendez 5 secondes.
2. Retirez la trappe de la batterie.
3. Pour plus de sécurité, appliquez le côté boucle (côté doux) de la bande velcro facultative dans la partie inférieure de la batterie et le côté crochet au support de batterie.
4. Installez la batterie entièrement chargée au centre du compartiment de batterie comme illustré. Fixez-la à l'aide des bandes velcro.
5. Raccordez la batterie au variateur ESC. Si vous n'avez pas terminé la séquence d'affectation, faites-le à ce moment, de la façon indiquée dans ce manuel.

**ATTENTION :** n'approchez jamais les mains ni aucun élément non fixé de l'entrée de la soufflante. Lorsqu'il est armé, le moteur fait tourner le rotor en réponse à tout mouvement d'accélération.

6. Maintenez l'appareil immobile et à l'abri du vent, ou le système ne démarrera pas.
  - Le moteur émettra une série de tonalités croissantes lorsque la batterie est connectée, puis 6 tonalités uniformes indiquant le nombre de cellules connectées.
  - Une DEL s'allumera sur le récepteur lorsqu'il sera initialisé
7. Remontez la trappe de batterie.



### Alarmes du variateur ESC

Si le variateur ESC émet un double bip continu après que la batterie de vol a été connectée, rechargez ou remplacez la batterie.

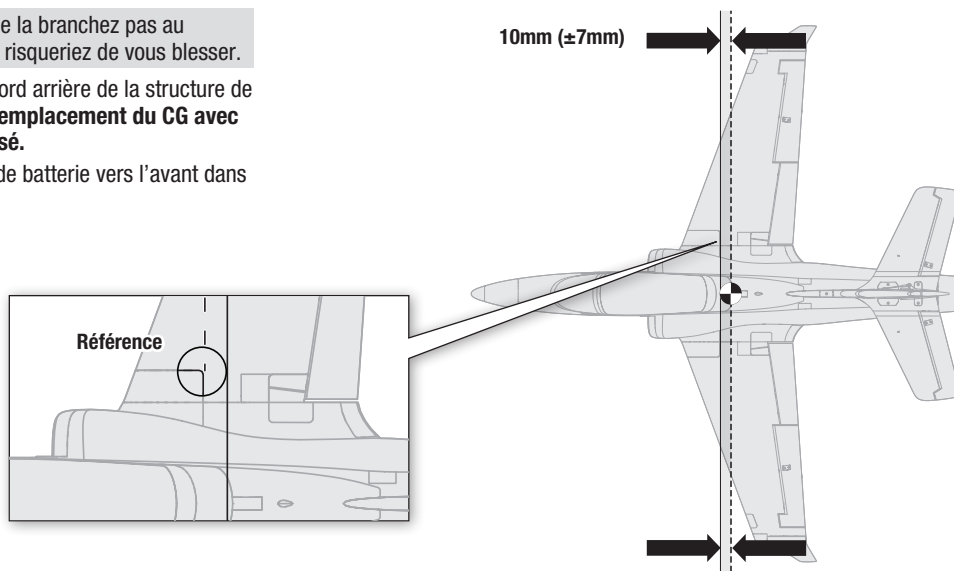
Alarmes d'erreur du variateur ESC	Signification de l'alarme	Problème possible
Alarmes uniques lentes continues	Signal des gaz anormal	Émetteur et récepteur non associé Fil des gaz endommagé ou non branché au récepteur Fil des gaz branché à l'envers au récepteur
Alarmes uniques rapides continues	Le signal des gaz n'est pas en position basse	La manette des gaz n'est pas en position basse Débattement des gaz réduit à moins de 100 % Gaz inversé Compensateur des gaz soulevé
Alarmes doubles continues	La tension de la batterie hors de la plage acceptable	Vérifier que la batterie est une Li-Po 6 cellules 22,2 V Vérifier que la batterie est complètement chargée

### Centre de gravité

**AVERTISSEMENT :** installez la batterie, mais ne la branchez pas au variateur ESC lorsque vous vérifiez le CG. Vous risqueriez de vous blesser.

L'emplacement du CG se trouve à 10mm ( $\pm 7$ mm) du bord arrière de la structure de montage d'aile en plastique avant. **Vérifiez toujours l'emplacement du CG avec le modèle à l'envers et le train d'atterrissage abaissé.**

L'emplacement du CG est ajusté en déplaçant le pack de batterie vers l'avant dans le compartiment de batterie.





## Failsafe et Conseils généraux pour affectation

- Le récepteur inclus a été spécifiquement programmé pour être utilisé avec cet appareil. Reportez-vous au manuel du récepteur pour la configuration appropriée en cas de remplacement de celui-ci.
- Éloignez-vous des larges objets métalliques lors de l'affectation.
- Ne pointez pas l'antenne de l'émetteur directement en direction du récepteur lors de l'affectation.
- Le témoin orange sur le récepteur clignote rapidement lorsque le récepteur passe en mode d'affectation.
- Une fois affecté, le récepteur conservera ses réglages d'affectation pour cet émetteur jusqu'à ce que vous effectuiez une nouvelle affectation.
- En cas de perte de communication entre le récepteur et l'émetteur, le mode sécurité intégrée est activé. La sécurité intégrée fait passer le canal des gaz à la position de faible ouverture des gaz. Les canaux de tangage et de roulis se déplacent pour stabiliser l'appareil dans une position de descente.
- En cas de problème, consultez le guide de dépannage ou, si besoin, contactez le service après-vente d'Horizon adéquat.

## Affectation de l'émetteur et du récepteur / Activation et désactivation de SAFE Select

La version BNF Basic de cet appareil comporte la technologie SAFE Select, qui vous permet de choisir le niveau de protection en vol. Le mode SAFE comprend des limiteurs d'angles et une stabilisation automatique. Le mode AS3X donne au pilote une réponse directe aux manches de commande. SAFE Select est activé ou désactivé lors du processus d'affectation. Avec SAFE Select désactivé, l'appareil est toujours en mode AS3X. Avec SAFE Select activé, l'appareil est constamment en mode SAFE Select, ou un commutateur peut être attribué pour basculer entre le mode SAFE Select et le mode AS3X.

Grâce à la technologie SAFE Select, cet appareil peut être configuré pour être constamment en mode SAFE, constamment en mode AS3X, ou le choix du mode peut être attribué à un commutateur.

**IMPORTANT :** Avant de procéder à l'affectation, lisez attentivement la section Configuration de l'émetteur de ce manuel et complétez le tableau de configuration de l'émetteur afin de programmer correctement l'émetteur pour cet appareil.

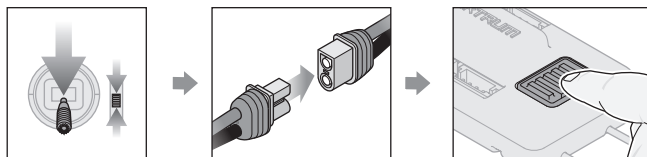
**IMPORTANT :** Placez les commandes de vol de l'émetteur (gouverne de direction, gouvernes de profondeur, et ailerons) et le trim des gaz en position neutre. Mettez les gaz sur faible ouverture avant et pendant l'affectation.

Vous pouvez utiliser le bouton d'affectation sur le boîtier du récepteur ou la prise d'affectation classique pour terminer l'affectation et la configuration de SAFE Select.

**SAFE peut également être activée via la Programmation en aval.**

### Avec le bouton d'affectation...

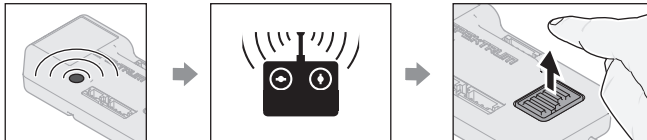
#### SAFE Select activé



Baissez la manette des gaz

Branchez l'alimentation

Maintenez appuyé le bouton d'affectation



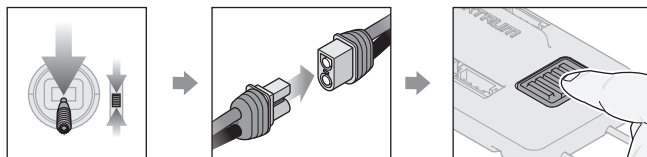
Témoin orange clignotant

Affectez l'émetteur au récepteur

Relâchez le bouton d'affectation

**SAFE SELECT ACTIVÉ :** Les surfaces de commande effectuent **deux** cycles d'avant en arrière avec une légère pause en position neutre chaque fois que le récepteur est allumé.

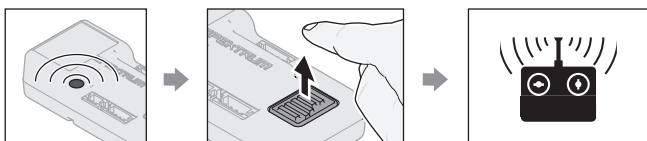
#### SAFE Select désactivé



Baissez la manette des gaz

Branchez l'alimentation

Maintenez appuyé le bouton d'affectation



Témoin orange clignotant

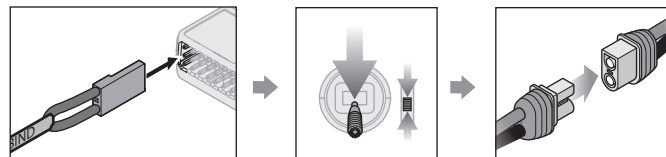
Relâchez le bouton d'affectation

Affectez l'émetteur au récepteur

**SAFE SELECT DÉACTIVÉ :** Les surfaces de commande effectuent **un** cycle d'avant en arrière chaque fois que le récepteur est allumé.

### Avec la prise d'affectation...

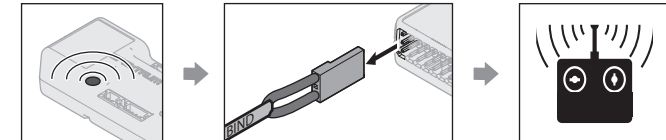
#### SAFE Select activé



Installez la prise d'affectation

Baissez la manette des gaz

Branchez l'alimentation



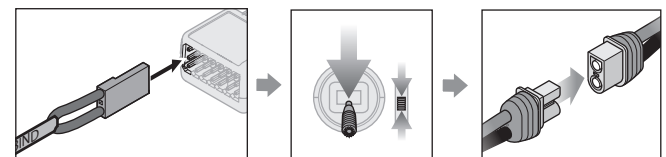
Témoin orange clignotant

Débranchez la prise d'affectation

Affectez l'émetteur au récepteur

**SAFE SELECT ACTIVÉ :** Les surfaces de commande effectuent **deux** cycles d'avant en arrière avec une légère pause en position neutre chaque fois que le récepteur est allumé.

#### SAFE Select désactivé



Installez la prise d'affectation

Baissez la manette des gaz

Branchez l'alimentation



Témoin orange clignotant

Affectez l'émetteur au récepteur

Débranchez la prise d'affectation

**SAFE SELECT DÉACTIVÉ :** Les surfaces de commande effectuent **un** cycle d'avant en arrière chaque fois que le récepteur est allumé.



## Désignation du commutateur SAFE Select

La technologie SAFE Select peut être assignée à n'importe quel commutateur libre (2 ou 3 positions) qui contrôle un canal (5 à 9) sur votre émetteur. Une fois attribué à un commutateur, le mode SAFE Select en position ON (marche) vous permet de choisir la technologie SAFE ou le mode AS3X en vol. Si l'appareil est affecté avec le mode SAFE Select en position OFF (arrêt), l'appareil est uniquement en mode AS3X.

**IMPORTANT :** Avant d'attribuer le commutateur de votre choix, assurez-vous que la course pour ce canal est réglée sur 100 % dans les deux sens et que l'aileron, la gouverne de profondeur, la gouverne de direction et la manette des gaz sont tous en grand débattement avec une course à 100 %.

**ATTENTION :** Maintenez toutes les parties du corps loin de l'hélice et gardez l'appareil solidement immobilisé en cas d'activation accidentelle des gaz.

**CONSEIL :** La technologie SAFE Select peut être assignée à n'importe quel canal 5 à 9 non utilisé. Consultez le manuel de votre émetteur pour obtenir plus d'informations sur l'attribution d'un commutateur à un canal.

**CONSEIL :** utilisez votre moniteur de canaux radio pour confirmer que les quatre premiers canaux indiquent une course à 100 % lors de l'attribution du commutateur.

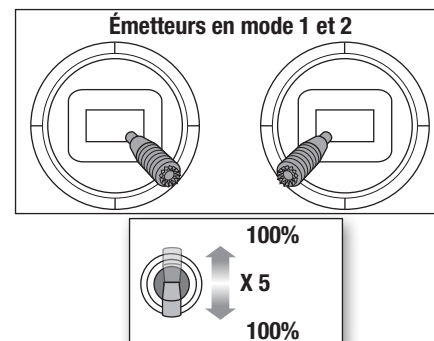
**CONSEIL :** utilisez le moniteur de canaux pour vous assurer que le commutateur que vous attribuez au mode SAFE Select est actif et qu'il gère un canal entre 5 et 9 avec une course ) 100 % dans chaque direction.

**CONSEIL :** assurez-vous que vos quatre canaux principaux ne sont pas inversés si vous rencontrez des problèmes lors de l'assignation d'un commutateur SAFE Select.

## Assignation d'un commutateur

1. Affectez l'appareil pour mettre le mode SAFE Select en marche. Cela permettra l'assignation du système à un commutateur.
2. Maintenez les deux manches de l'émetteur vers les coins inférieurs intérieurs et faites basculer 5 fois le commutateur de votre choix (1 bascule = entièrement vers le haut et vers le bas) pour assigner celui-ci. Les gouvernes de l'appareil se déplaceront, indiquant que le commutateur a été sélectionné.

Répétez l'opération pour attribuer un commutateur différent ou pour désactiver le commutateur actuel si vous le souhaitez.



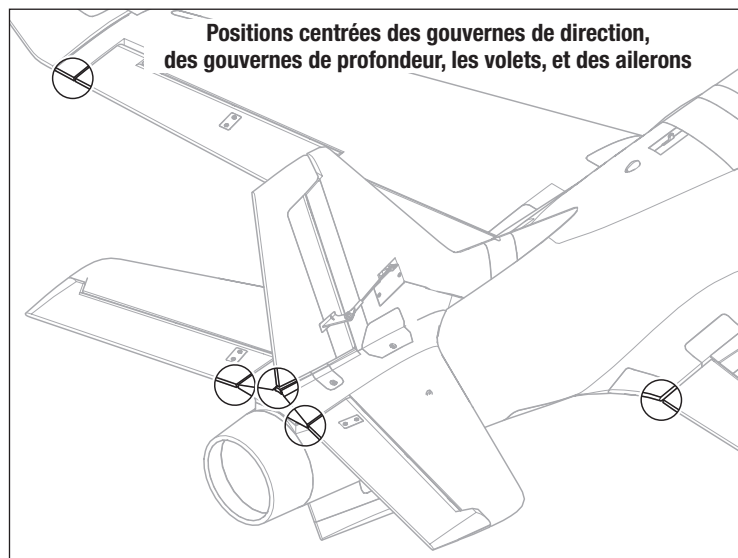
## Centrage des surfaces de commande

Après le montage et la configuration de l'émetteur, vérifiez que les gouvernes sont bien centrées. Le modèle doit être allumé et affecté à l'émetteur en mode AS3X, avec les gaz laissés à zéro. Lorsqu'il est activé, le mode SAFE est actif à l'allumage. Le mode AS3X est activé lorsque les gaz sont élevés au-dessus de 25 % pour la première fois après l'allumage. Il est normal que les surfaces de commande répondent au mouvement de l'appareil s'il est en mode AS3X ou SAFE.

1. Vérifiez si les trims (compensateurs) et subtrims (sous-compensateurs) sur votre émetteur sont à zéro
2. Allumez le modèle en mode AS3X et laissez les gaz à zéro

**REMARQUE :** faites attention au bas de la barre de liaison dépassant dans la tringlerie à bille. Ne vissez pas la barre de liaison trop loin dans la tringlerie à bille ou la barre de liaison endommagera la tringlerie à bille et dépassera dans la zone requise par la bille de commande.

3. Centrez la gouverne de direction avec le bas du stabilisateur vertical. Si un ajustement est nécessaire, tournez la tringlerie à bille sur la tringlerie pour changer la longueur entre le bras de servo et le renvoi de commande jusqu'à ce que la gouverne soit droite.
4. Centrez les ailerons en alignant l'extrémité extérieure de l'aileron avec le bord de fuite de l'aile. Ajustez la longueur de la tringlerie comme pour l'étape 3 si nécessaire.
5. Centrez les stabilisateurs entièrement mobiles en alignant l'extrémité extérieure des stabilisateurs avec le bord de fuite du fuselage. Ajustez la longueur de la tringlerie comme pour l'étape 3 si nécessaire.
6. Centrez les volets en alignant l'extrémité intérieure des volets avec le winglet du fuselage. Ajustez la longueur de la tringlerie comme pour l'étape 3 si nécessaire.



## Test de contrôle de la direction

Allumez l'émetteur et raccordez la batterie. Utilisez l'émetteur pour commander l'aileron et la gouverne de profondeur. Mettez-vous derrière l'appareil pour vérifier les gouvernes.

### Ailerons

1. Déplacez le manche de l'aileron vers la gauche. L'aileron droit s'abaisse et l'aileron gauche s'élève, pour faire pencher l'appareil vers la gauche.
2. Déplacez le manche de l'aileron vers la droite. L'aileron droit s'élève et l'aileron gauche s'abaisse, pour faire pencher l'appareil vers la droite.

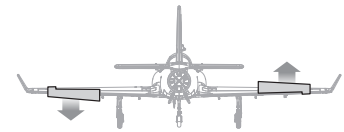
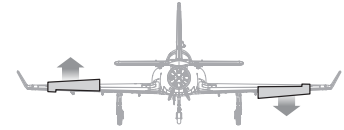
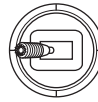
### Gouvernes de profondeur

3. Tirez la manette de gouverne de profondeur en arrière. Les stabilisateurs doivent s'élever, ce qui fera cabrer l'appareil.
4. Poussez la manette de gouverne de profondeur vers l'avant. Les stabilisateurs doivent s'abaisser, ce qui fera descendre l'appareil.

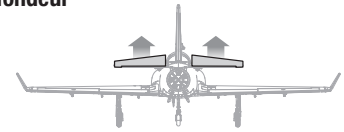
### Gouverne de direction

5. Déplacez le manche de la gouverne vers la gauche. La gouverne doit pivoter vers la gauche.
6. Déplacez le manche de la gouverne vers la droite. La gouverne doit pivoter vers la droite.

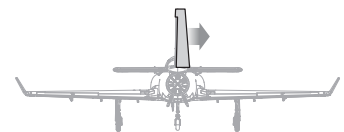
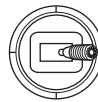
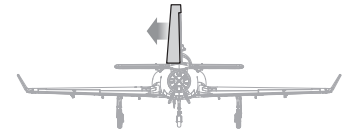
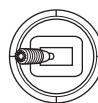
#### Manche de l'aileron



#### Manche de gouverne de profondeur



#### Manche de gouverne



## Réglages aux guignols et aux palonniers de servos

Le tableau de droite représente les positions par défaut des tringleries aux guignols et aux palonniers de servos. Effectuez le premier vol avec ces réglages par défaut avant d'effectuer des modifications.

**REMARQUE:** Si vous modifiez le réglage par défaut des courses, les valeurs de gain de l'AR637TA devront être ajustées. Consultez le manuel du Spektrum AR637TA pour effectuer l'ajustement des valeurs de gain.

Après le premier vol, vous pourrez ajuster les positions des tringleries pour obtenir la réponse désirée. Consultez le tableau à droite.

Réglages d'usine	Renvois de commande	Bras de servo
Gouverne de profondeur		
Gouverne de direction		
Aileron		
Volet		
Direction de la roue avant		

Réglage	Renvois de commande	Bras de servo
Augmentation du coude de commande		
Réduction du coude de commande		

## Doubles débattements et contrôle

Programmez votre émetteur pour configurer les débattements et les coudes de commande selon votre niveau d'expérience. Ces valeurs ont été testées et sont un bon point de départ pour réussir à voler pour la première fois.

Vous pourrez ensuite décider d'ajuster les valeurs en fonction de la réponse de commande souhaitée.

	Petit débattement	Grand débattement
<b>Aileron</b>	11mm (7/16") ▲ 11mm (7/16") ▼	16mm (5/8") ▲ 16mm (5/8") ▼
<b>Gouverne de profondeur</b>	10mm (3/8") ▲ 10mm (3/8") ▼	14mm (9/16") ▲ 14mm (9/16") ▼
<b>Gouverne de direction</b>	19mm (3/4") ◀▶	25mm (1") ◀▶

## Essai de la réponse de l'AS3X (BNF Basic)

This test ensures that the AS3X control system is functioning properly. Assemble the aircraft and bind your transmitter to the receiver before performing this test.

1. Raise the throttle to any setting above 25%, then lower the throttle to activate AS3X technology.

**CAUTION:** Keep all body parts, hair and loose clothing away from the fan intake, as these items could become entangled.

2. Move the entire aircraft as shown and ensure the control surfaces move in the direction indicated in the graphic. If the control surfaces do not respond as shown, do not fly the aircraft. Refer to the receiver manual for more information.

Once the AS3X system is active, control surfaces may move rapidly. This is normal. AS3X remains active until the battery is disconnected.

	Mouvement de l'appareil	Réaction AS3X
Pas		
Roulement		
Lacet		

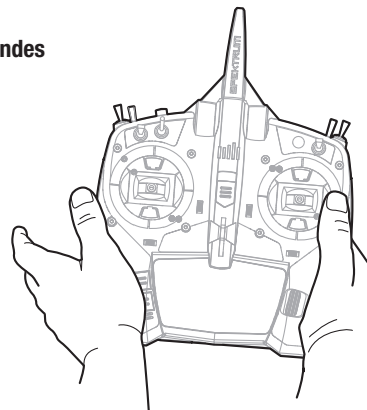
## Réglage des trims en vol (BNF Basic)

Lors de votre premier vol, ajustez l'appareil pour un vol en palier. Effectuez de petites corrections aux trims pour obtenir une trajectoire parfaitement rectiligne.

Après avoir effectué le réglage des trims, ne touchez plus les manches durant 3 secondes. Le récepteur enregistre les nouveaux réglages pour optimiser l'efficacité de l'AS3X.

Les qualités de vol seront altérées si cette procédure n'est pas respectée.

3 Secondes



## Conseils de vol et réparations

Consultez les lois et ordonnances locales avant de choisir un espace de vol.

### Avant de commencer

Avant de piloter votre appareil, vérifiez la portée du système radio. Consultez le mode d'emploi de votre émetteur pour obtenir des instructions sur les tests de portée. Lorsque vous branchez la batterie à l'avion pour la première fois, l'AS3X ne sera pas activé. Après avoir avancé les gaz au-delà de 25 % pour la première fois, le système AS3X est activé et il est normal de voir les gouvernes réagir au mouvement de l'appareil. Pour vos premiers vols, réglez le minuteur de l'émetteur ou un chronomètre sur 3,5 minutes. Réglez votre minuteur pour des vols plus longs ou plus courts une fois que vous avez piloté le modèle.

### Décollage

Faites décoller l'appareil face au vent. Réglez votre émetteur sur les petits débattements, réglez les volets sur la position de décollage et augmentez progressivement jusqu'à plein gaz. Dirigez au sol à l'aide de la gouverne de direction si nécessaire pour que l'appareil continue de rouler droit. Sachez que la roue avant deviendra plus sensible à mesure que la vitesse augmente. Laissez la gouverne de profondeur en position neutre et laissez l'appareil accélérer jusqu'à la vitesse au sol, puis tirez doucement sur la gouverne de profondeur afin de faire pivoter l'avion pour le décollage. Une fois dans les airs, montez jusqu'à une altitude confortable, rentrez le train d'atterrissage, puis relevez les volets en position normale.

### Vol

Pour vos premiers vols, grimpez à une altitude modérée et habituez-vous à l'appareil avec la batterie encore peu utilisée. Découvrez les performances de l'appareil à faible vitesse à une altitude sûre (environ 30 m (100 pieds) ou plus) avant de devoir effectuer votre premier essai d'atterrissage. Faites atterrir l'appareil à la fin du délai de la minuterie. Si, à un certain moment, la puissance du moteur diminue, faites immédiatement atterrir l'avion pour recharger la batterie de vol. Reportez-vous à la section sur la coupure par tension faible (LVC) pour en savoir plus sur l'optimisation de l'état et du temps de fonctionnement de la batterie.

### Atterrissage

Planifiez de faire atterrir l'appareil face au vent si possible. Volez dans le sens du vent, réglez les volets sur la position de décollage et tournez face au vent pour commencer l'approche. Sortez le train d'atterrissage et abaissez les gaz. Pendant l'approche et la descente, maintenez les ailes à l'horizontale et l'appareil face au vent. L'attitude (l'angle de l'appareil par rapport à l'horizon) doit rester constante et le nez légèrement vers le haut durant la descente. Avec l'angle d'attaque maintenu durant la descente, la vitesse et le taux de descente sont essentiellement contrôlés grâce à de petits changements des gaz. Une fois que vous êtes sûr de pouvoir vous poser sur la piste, réglez les volets sur la position d'atterrissage et maintenez les gaz pour conserver la vitesse et le contrôle lors de la descente jusqu'à ce que l'appareil soit prêt pour l'arrondi. À mesure que l'appareil descend dans l'effet de sol, abaissez entièrement les gaz, tirez davantage le nez vers le haut pour éliminer la vitesse aérodynamique (flare, arrondi), et l'appareil se posera sur ses roues. Si vous atterrissez sur l'herbe, il est recommandé de maintenir l'élévateur entièrement vers le haut après l'atterrissage et lors du roulage au sol pour empêcher que l'avion ne pique de nez. Une fois sur le sol, évitez les virages serrés jusqu'à ce que l'avion ait suffisamment ralenti pour éviter d'érafler les extrémités des ailes.

## Conseils de vol en mode SAFE Select

Lors d'un vol au mode SAFE Select, l'appareil retournera en vol à niveau à tout moment lorsque les commandes d'aileron et d'élévateur sont en position neutre. Une commande d'aileron ou d'élévateur fera l'appareil s'incliner, grimper ou plonger, et la quantité de déplacement du manche déterminera l'attitude de vol de l'appareil. En maintenant un contrôle complet, l'appareil sera poussé jusqu'aux limites prédéterminées de tangage et de roulis, mais ne dépassera pas ces angles.

Lors d'un vol au mode SAFE Select, il est normal de maintenir le manche de commande en déviation avec une saisie modérée d'aileron en volant à travers un virage. Pour voler correctement avec SAFE Select, évitez d'effectuer des changements de contrôles fréquents et n'essayez pas de corriger les déviations mineures. Avec SAFE Select, le fait de maintenir des saisies délibérées de contrôles commandera à l'appareil de voler à un angle spécifique et la maquette effectuera toutes les corrections pour maintenir cette attitude de vol.

Remettez les commandes d'élévateur et d'aileron en position neutre avant de basculer du mode SAFE Select au mode AS3X. Si vous ne neutralisez pas les commandes en basculant au mode AS3X, les saisies de commandes utilisées pour le mode SAFE Select seront excessives pour le mode AS3X et l'appareil réagira immédiatement.

**REMARQUE :** En cas de chute imminente, réduisez complètement les gaz et le trim (la compensation). Le non-respect de cette procédure risquerait d'endommager davantage la structure de vol, ainsi que le variateur ESC et le moteur.

**REMARQUE :** Après un impact, vérifiez toujours que le récepteur est toujours solidement fixé au fuselage. Si vous remplacez le récepteur, installez le nouveau récepteur dans le même sens que celui d'origine, au risque d'endommager l'appareil.

**REMARQUE :** Les dégâts consécutifs à une chute ne sont pas pris en charge dans le cadre de la garantie.

**REMARQUE :** Après un vol, ne laissez jamais l'appareil en plein soleil ou dans un lieu fermé et chaud comme dans une voiture. Cela endommagerait l'appareil.

### Coupure par tension faible (LVC)

Lorsqu'une batterie Li-Po est déchargée au-dessous de 3 V par cellule, elle ne tiendra pas la charge. Le variateur ESC protège la batterie de vol contre les décharges excessives à l'aide du Low Voltage Cutoff (dispositif de coupure par tension faible, LVC). Avant que la batterie ne se décharge à un niveau trop faible, ce dispositif coupe l'alimentation électrique fournie au moteur. L'alimentation électrique fournie au moteur diminue pour indiquer qu'une partie de l'alimentation par batterie est réservée au pilote et à l'atterrissage sans risque.

Débranchez et retirez la batterie Li-Po de l'appareil après son utilisation pour éviter qu'elle ne se décharge lentement. Chargez votre batterie Li-Po à environ mi-capacité avant de la ranger. Pendant le stockage de la batterie, assurez-vous que son niveau de charge ne tombe pas en dessous de 3 V par cellule. Le dispositif de coupure par tension faible (LVC) ne prévient pas les décharges excessives de la batterie en période de stockage.

**REMARQUE :** Les vols répétés en mode coupure par tension faible (LVC) endommageront la batterie.

**CONSEIL :** Vérifiez la tension de la batterie de votre appareil avant et après un vol en utilisant un contrôleur de tension pour batterie Li-Po (SPMXBC100, vendu séparément).

### Oscillation

Pour la plupart des manœuvres de vol, l'appareil devrait voler correctement et normalement, mais il est possible que dans certaines conditions de vol, vous pourrez observer une oscillation (l'avion se balance d'avant en arrière sur un axe). Si vous constatez un problème d'oscillation, consultez le guide de dépannage pour obtenir de plus amples informations.

### Réparations

Cet appareil présente pour avantage d'être fabriqué dans un matériau EPO en mousse permettant d'effectuer des réparations avec pratiquement n'importe quel adhésif (colle thermofusible, colle cyanoacrylate ordinaire, époxy, etc.). Lorsque les pièces ne sont pas réparables, consultez la Liste des références des pièces de rechange pour passer vos commandes. Vous trouverez une liste complète des pièces de rechange et vendues en option à la fin de ce manuel.

**REMARQUE :** L'utilisation d'un accélérateur de colle cyanoacrylate sur l'appareil peut endommager la peinture. NE manipulez PAS l'appareil tant que l'accélérateur n'est pas complètement sec.

### Différences entre les modes SAFE Select et AS3X

Cette section est généralement exacte mais ne tient pas compte de la vitesse de vol, de l'état de charge de la batterie, et de nombreux autres facteurs limitatifs.

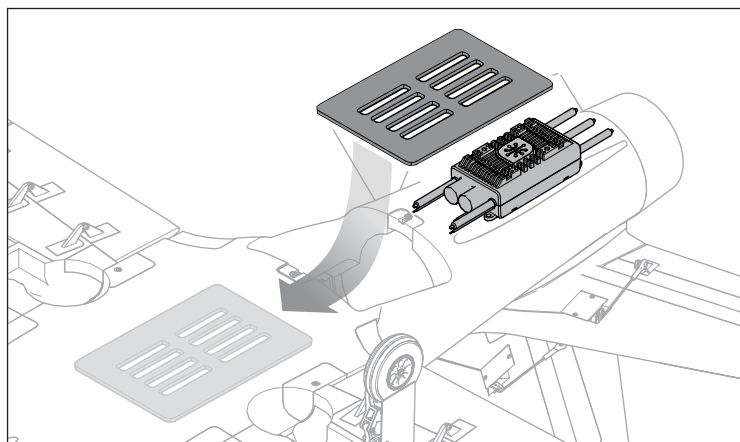
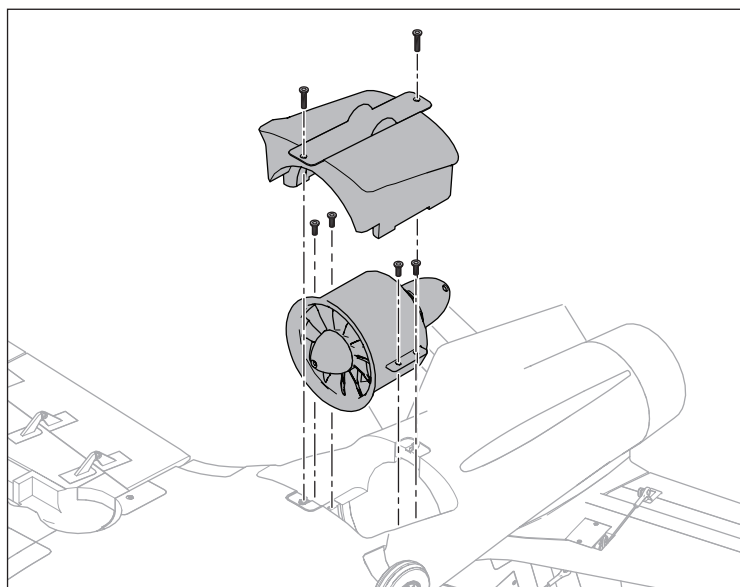
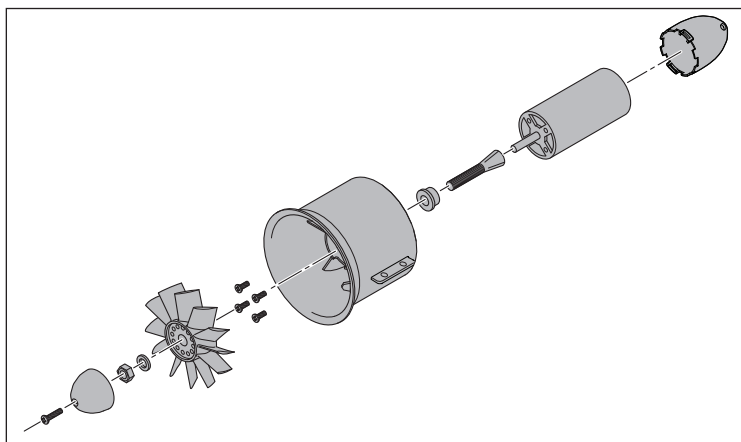
- Avec le mode SAFE Select, l'appareil se met à l'horizontale lorsque le manche de commande est au point neutre. Avec le mode AS3X, l'appareil continue de voler avec son attitude actuelle lorsque le manche de commande est au point neutre.
- Avec le mode SAFE Select, le fait de maintenir une petite quantité de contrôle fait s'incliner ou tanguer le modèle à un angle modéré et celui-ci reste à cet angle tant que le manche de commande ne bouge pas. Avec le mode AS3X, le fait de maintenir une petite quantité de contrôle entraîne la poursuite du tangage ou du roulis du modèle à une vitesse faible tant que le manche de commande ne bouge pas.
- Avec le mode SAFE Select, le fait de maintenir un contrôle complet fait s'incliner ou tanguer l'appareil jusqu'aux limites prédéterminées et l'appareil continue de voler avec cette attitude tant que le manche de commande est entièrement dévié. Avec le mode AS3X, le fait de maintenir un contrôle complet fait tanguer ou rouler l'appareil aussi vite que possible et il continue de changer rapidement d'attitude tant que le manche de commande est entièrement dévié.

## Installation et entretien du système d'alimentation

### Installation du système d'alimentation (ARF Plus)

Les composants recommandés du système d'alimentation sont indiqués dans le tableau de spécifications disponible au début de ce manuel.

1. Retirez les deux vis du cache de la soufflante et retirez le cache du fuselage.
2. Faites passer la batterie du variateur ESC et les câbles des gaz à travers le petit trou situé à l'avant du compartiment du variateur ESC et dans le compartiment de la batterie.
3. Faites passer les câbles du moteur à travers le creux situé sous l'emplacement du carénage de la soufflante.
4. Installez le variateur ESC dans le fuselage.
5. Fixez le moteur au boîtier de la soufflante.
6. Installez l'adaptateur de rotor à l'arbre du moteur.
7. Installez le rotor sur l'adaptateur de rotor avec l'écrou du rotor, le cône de nez et la vis du cône de nez. Assurez-vous que l'écrou du rotor est bien serré avant d'installer le cône de nez.
8. Branchez les câbles du moteur aux câbles du moteur du variateur ESC.
9. Installez la soufflante sur le fuselage à l'aide de quatre vis à travers les languettes de la soufflante.
10. Installez le cache de la soufflante avec les deux vis retirées à l'étape 1.
11. Raccordez le fil des gaz au récepteur de l'avion.



**ATTENTION** : déconnectez toujours la batterie de vol avant de réaliser une opération de maintenance sur le moteur.

### Démontage

1. Retirez les deux vis du cache de la soufflante et retirez le cache du fuselage.
2. Retirez les quatre vis des languettes de la soufflante.
3. Retirez la soufflante du fuselage, notez l'ordre du câblage, et débranchez les fils du moteur du variateur ESC.
4. Retirez la vis du cône de nez, le cône de nez, l'écrou du rotor et la rondelle de l'adaptateur de rotor.
5. Retirez le rotor de l'adaptateur de rotor.
6. Retirez l'adaptateur de rotor de l'arbre du moteur.
7. Retirez les quatre vis à tête hexagonale de 3 mm qui maintiennent le moteur dans le boîtier de la soufflante.

### Assemblage

Montez dans l'ordre inverse.

- Alignez et raccordez les fils du moteur aux fils du variateur ESC en respectant les couleurs.
- Installez le rotor comme indiqué.
- Serrez l'écrou sur l'adaptateur du moteur pour fixer le rotor.

## Maintenance après vol

1. Débranchez la batterie de vol du variateur ESC (nécessaire par mesure de sécurité et pour préserver la durée de vie de la batterie).
2. Éteignez l'émetteur.
3. Retirez la batterie de vol de l'appareil.
4. Rechargez la batterie de vol au niveau de tension de stockage.

5. Réparez ou remplacez toutes les pièces endommagées.
6. Stockez la batterie de vol en dehors de l'appareil et surveillez la charge de la batterie.
7. Notez les conditions de vol et les résultats du plan de vol pour prévoir les futurs vols.



## Guide de dépannage AS3X

Problème	Cause Possible	Solution
Oscillations	Hélice ou cône endommagé	Remplacez l'hélice ou le cône
	Hélice déséquilibrée	Équilibrez l'hélice
	Vibration du moteur	Remplacez les pièces endommagées et contrôlez le serrage et l'alignement des pièces
	Récepteur mal fixé	Réalignez et refixez le récepteur
	Commandes desserrées	Resserrez et vérifiez l'état des pièces (servos, palonniers, tringleries, guignols et gouvernes)
	Pièces usées	Remplacez les pièces usées (hélice, cône ou servo)
	Fonctionnement erratique du servo	Remplacez le servo
Performances de vol aléatoires	Le trim n'est pas au neutre	Si vous ajustez les trims plus de 8 clics, ajustez la chape pour annuler le trim
	Le sub-trim n'est pas au neutre	L'utilisation des sub-trims n'est pas permise. Réglez directement les tringleries
	L'avion n'est pas resté immobile durant 5 secondes	Avec le manche des gaz à sa position la plus basse, déconnectez la batterie, puis reconnectez-la et maintenez le modèle immobile 5 secondes
Mauvaise réponse de l'appareil aux essais de commande du système AS3X	Paramétrage incorrect des directions des commandes du récepteur, pouvant causer un crash	NE volez PAS. Corrigez les paramètres des commandes (consulter le manuel du récepteur) avant de voler

## Guide de dépannage

Problème	Cause Possible	Solution
Le modèle ne répond pas aux gaz mais bien aux autres commandes	Le manche des gaz n'est pas au ralenti (idle) et/ou le trim des gaz est réglé à une valeur trop élevée	Réinitialisez les commandes avec le manche des gaz et le trim des gaz sur la position plus faible possible
	La course du servo des gaz est inférieure à 100%	Assurez-vous que la course du servo des gaz est de 100%
	La voie des gaz est inversée	Inversez la voie des gaz sur l'émetteur
	Moteur déconnecté du contrôleur	Assurez-vous que le moteur est bien connecté au contrôleur
L'hélice fait trop de bruit ou vibre trop	Hélice, cône, adaptateur ou moteur endommagé	Remplacez les pièces endommagées
	Déséquilibre de l'hélice	Équilibrez ou remplacez l'hélice
	Écrou de l'hélice desserré	Resserrez l'écrou
Durée de vol réduite ou manque de puissance du modèle	La charge de la batterie de vol est faible	Rechargez la batterie de vol complètement
	Hélice montée à l'envers	Montez l'hélice correctement avec les chiffres orientés vers l'avant
	Batterie de vol endommagée	Remplacez la batterie de vol et suivez les instructions la concernant
	Les conditions de vol sont peut-être trop froides	Assurez-vous que la batterie est à température avant de l'utiliser
	Capacité de la batterie trop faible pour les conditions de vol	Remplacez la batterie ou utilisez une batterie à plus grande capacité
Le modèle n'accepte pas l'affectation (au cours de la procédure) à l'émetteur	Émetteur trop près du modèle durant la procédure d'affectation	Déplacez l'émetteur allumé à quelques pas du modèle, déconnectez la batterie de vol du modèle et reconnectez-la
	Le modèle ou l'émetteur se trouve trop près d'un objet métallique, d'un réseau sans fil ou d'un autre émetteur	Placez le modèle et l'émetteur à un autre endroit et retentez l'affectation
	La prise affectation n'est pas bien installée dans le port d'affectation	Installez la prise affectation dans le port d'affectation et affectez le modèle à l'émetteur
	La charge de la batterie de vol/de l'émetteur est trop faible	Remplacez/rechargez les batteries
	Bouton ou interrupteur d'affectation n'a pas été pressé assez longtemps pendant l'affectation	Mettez l'émetteur hors tension et répétez la procédure d'affectation. Maintenez le bouton ou l'interrupteur d'affectation jusqu'à ce que le récepteur soit affecté
Le modèle ne veut pas établir la liaison avec l'émetteur (après affectation)	Émetteur trop près de l'aéronef lors du processus d'établissement de liaison	Déplacez l'émetteur allumé à quelques pas du modèle, déconnectez la batterie de vol du modèle et reconnectez-la
	Le modèle ou l'émetteur se trouve trop près d'un objet métallique, d'un réseau sans fil ou d'un autre émetteur	Déplacez le modèle ou l'émetteur à bonne distance et retentez la liaison
	La prise affectation est restée dans le port affectation	Ré-affectez l'émetteur au modèle et retirez la prise affectation avant de redémarrer
	Modèle affecté à une mémoire de modèle différente (émetteur ModelMatch uniquement)	Sélectionnez la bonne mémoire de modèle sur l'émetteur
	La charge de la batterie de vol/de l'émetteur est trop faible	Remplacez/rechargez les batteries
	L'émetteur a peut-être été affecté en utilisant un protocole DSM différent	Affectez le modèle à l'émetteur
Les gouvernes ne bougent pas	Gouverne, guignol, tringlerie ou servo endommagé	Remplacez ou réparez les pièces endommagées et réglez les commandes
	Câblage endommagé ou connexions lâches	Contrôlez les câbles et les connexions, connectez ou remplacez si besoin
	L'émetteur n'est pas affecté correctement ou il y a eu mauvaise sélection du modèle	Effectuez une nouvelle affectation ou sélectionnez le bon modèle dans l'émetteur
	La charge de la batterie de vol est faible	Rechargez la batterie de vol complètement
	Le circuit BEC (Battery Elimination Circuit) du contrôleur est endommagé	Remplacez le contrôleur

Problème	Cause Possible	Solution
Commandes inversées	Les réglages de l'émetteur sont inversés	Effectuez les essais de direction des commandes et réglez les commandes sur l'émetteur en fonction des résultats
L'alimentation moteur se fait par impulsions puis le moteur perd de sa puissance	Le contrôleur utilise la Coupure par tension faible (LVC) par défaut	Rechargez la batterie de vol ou remplacez la batterie qui ne donne plus les performances prévues
	Les conditions météorologiques sont peut-être trop froides	Reportez le vol jusqu'à ce qu'il fasse plus chaud
	La batterie a vieilli, est usée ou endommagée	Remplacez La batterie
	Le taux de décharge de la batterie est peut-être trop faible	Utilisez la batterie recommandée

## Pièces de rechange

Référence	Description
EFL17774	Ensemble aile (gauche) : Viper à soufflante électrique carénée 90 mm
EFL17776	Ensemble aile (droit) : Viper à soufflante électrique carénée 90 mm
EFL17777	Fuselage : Viper à soufflante électrique carénée 90 mm
EFL17778	Stabilisateur vertical : Viper à soufflante électrique carénée 90 mm
EFL17779	Stabilisateur horizontal : Viper à soufflante électrique carénée 90 mm
EFL17780	Cockpit/trappe : Viper à soufflante électrique carénée 90 mm
EFL17781	Cône de nez : Viper à soufflante électrique carénée 90 mm
EFL17782	Ensemble ailette : Viper à soufflante électrique carénée 90 mm
EFL17783	Tige de liaison : Viper à soufflante électrique carénée 90 mm
EFL17784	Guignols de commande : Viper à soufflante électrique carénée 90 mm
EFL17785	Ensemble roue : Viper à soufflante électrique carénée 90 mm
EFL17786	Jeu de vis : Viper à soufflante électrique carénée 90 mm
EFL17787	Ensemble dérive ventrale : Viper à soufflante électrique carénée 90 mm
EFL17788	Feuillet d'autocollants : Viper à soufflante électrique carénée 90 mm
EFL17789	Trappes du train : Viper à soufflante électrique carénée 90 mm
EFL17790	Tige d'aile : Viper à soufflante électrique carénée 90 mm
EFL17791	Ensemble d'éclairage : Viper à soufflante électrique carénée 90 mm

Référence	Description
EFL17792	Pilote : Viper à soufflante électrique carénée 90 mm
EFLA9012DF	Unité de soufflante carénée, soufflante électrique carénée 90 mm
EFLA9012H	Moyeu de rotor 12 lames, soufflante électrique carénée 90 mm
EFLA9012R	Rotor 12 lames, soufflante électrique carénée 90 mm
EFLG360	Unité Retract : train avant, Viper à soufflante électrique carénée 90 mm
EFLG361	Jambe avant avec roue : Viper à soufflante électrique carénée 90 mm
EFLG362	Jambes principales avec roue : Viper à soufflante électrique carénée 90 mm
EFLG363	Broches de jambe de rentrée : Viper à soufflante électrique carénée 90 mm
EFLG364	Unité Retract : train principal, soufflante électrique carénée 90mm
SPMAR637T	Récepteur de télémétrie 6 canaux SAFE et AS3X
SPMSA450	Servo : engrenage métallique numérique 13 g
SPMSA450R	Servo : engrenage métallique numérique 13 g (inversé)
SPMXAE1130A	Variateur ESC Smart sans balais 130 A Avian 3-6S IC5
SPMXAM1400	Moteur à rotor intérieur sans balais 3670-1950 Kv

## Pièces recommandées

Référence	Description
DYN1405	Sac de protection du chargeur de batterie Li-Po, grand
ONXT1000	Ensemble d'outils de démarrage air/surface ultime
SPMR8105	Émetteur uniquement 8 canaux DX8e

Référence	Description
SPMX2020	Chargeur c.a. G2 S1200 Smart, 1 x 200 W
SPMX50006S30	Batterie 22,2 V 5000 mAh 6S 30C Smart Li-Po, IC5
SPMXBC100	Contrôleur pour batterie Li-Po Smart XBC100 et servomoteur

## Pièces facultatives

Référence	Description
SPM6708	Valise pour émetteur unique Spektrum
SPMR10100	Émetteur uniquement 10 canaux NX10
SPMR8200	Émetteur uniquement DSMX 8 canaux NX8
SPMX46S50	Batterie 22,2 V 4000 mAh 6S 50C Smart Li-Po G2, IC5
SPMX56S100	Batterie 22,2 V 5000 mAh 6S 100C Smart Li-Po G2, IC5
SPMX76S30	Batterie 22,2 V 7000 mAh 6S 30C Smart Li-Po G2, IC5
SPMX40006S30	Batterie 22,2 V 4000 mAh 6S 30C Smart Li-Po, IC5

Référence	Description
SPMX40006S50	Batterie 22,2 V 4000 mAh 6S 50C Smart Li-Po, IC5
SPMX50006S100	Batterie 22,2 V 5000 mAh 6S 100C Smart Li-Po, IC5
SPMX70006S30	Batterie 22,2 V 7000 mAh 6S 30C Smart Li-Po, IC5
SPMXC1010	Chargeur c.a. Smart S2100, 2 x 100 W
SPMXC2010	Chargeur c.a. G2 S2200 Smart, 2 x 200 W
SPMXCA200	Programmeur ESC Smart Firma Avian

## Récepteurs recommandés (ARF Plus)

Référence	Description
Telemetry Equipped Receivers	
SPMAR6610T	Récepteur de télémétrie intégré 6 canaux AR6610T
SPMAR8020T	Récepteur de télémétrie intégré 8 canaux AR8020T

Référence	Description
AS3X and Telemetry Equipped Receivers	
SPMAR637T	Récepteur de télémétrie 6 canaux AS3X DSMX AR637T
SPMAR8360T	Récepteur de télémétrie 8 canaux AS3X et SAFE DSMX AR8360T

## Garantie et réparations

**Durée de la garantie**—Garantie exclusive - Horizon Hobby, LLC (Horizon) garantit que le Produit acheté (le « Produit ») sera exempt de défauts matériels et de fabrication à sa date d'achat par l'Acheteur. La durée de garantie correspond aux dispositions légales du pays dans lequel le produit a été acquis. La durée de garantie est de 6 mois et la durée d'obligation de garantie de 18 mois à l'expiration de la période de garantie.

**Limitations de la garantie**—(a) La garantie est donnée à l'acheteur initial (« Acheteur ») et n'est pas transférable. Le recours de l'acheteur consiste en la réparation ou en l'échange dans le cadre de cette garantie. La garantie s'applique uniquement aux produits achetés chez un revendeur Horizon agréé. Les ventes faites à des tiers ne sont pas couvertes par cette garantie. Les revendications en garantie seront acceptées sur fourniture d'une preuve d'achat valide uniquement. Horizon se réserve le droit de modifier les dispositions de la présente garantie sans avis préalable et révoque alors les dispositions de garantie existantes.

(b) Horizon n'endosse aucune garantie quant à la vendabilité du produit ou aux capacités et à la forme physique de l'utilisateur pour une utilisation donnée du produit. Il est de la seule responsabilité de l'acheteur de vérifier si le produit correspond à ses capacités et à l'utilisation prévue.

(c) Recours de l'acheteur — Il est de la seule discrétion d'Horizon de déterminer si un produit présentant un cas de garantie sera réparé ou échangé. Ce sont là les recours exclusifs de l'acheteur lorsqu'un défaut est constaté.

Horizon se réserve la possibilité de vérifier tous les éléments utilisés et susceptibles d'être intégrés dans le cas de garantie. La décision de réparer ou de remplacer le produit est du seul ressort d'Horizon. La garantie exclut les défauts esthétiques ou les défauts provoqués par des cas de force majeure, une manipulation incorrecte du produit, une utilisation incorrecte ou commerciale de ce dernier ou encore des modifications de quelque nature qu'elles soient.

La garantie ne couvre pas les dégâts résultant d'un montage ou d'une manipulation erronés, d'accidents ou encore du fonctionnement ainsi que des tentatives d'entretien ou de réparation non effectuées par Horizon. Les retours effectués par le fait de l'acheteur directement à Horizon ou à l'une de ses représentations nationales requièrent une confirmation écrite.

**Limitation des dommages**—Horizon ne saurait être tenu pour responsable de dommages consécutifs directs ou indirects, de pertes de revenus ou de pertes commerciales, liés de quelque manière que ce soit au produit et ce, indépendamment du fait qu'un recours puisse être formulé en relation avec un contrat, la garantie ou l'obligation de garantie. Par ailleurs, Horizon n'acceptera pas de recours issus d'un cas de garantie lorsque ces recours dépassent la valeur unitaire du produit. Horizon n'exerce aucune influence sur le montage, l'utilisation ou la maintenance du produit ou sur d'éventuelles combinaisons de produits choisis par l'acheteur. Horizon ne prend en compte aucune garantie et n'accepte aucun recours pour les blessures ou les dommages pouvant en résulter. Horizon Hobby ne saurait être tenu responsable d'une utilisation ne respectant pas les lois, les règles ou réglementations en vigueur.

En utilisant et en montant le produit, l'acheteur accepte sans restriction ni réserve toutes les dispositions relatives à la garantie figurant dans le présent document. Si vous n'êtes pas prêt, en tant qu'acheteur, à accepter ces dispositions en relation avec l'utilisation du produit, nous vous demandons de restituer au vendeur le produit complet, non utilisé et dans son emballage d'origine.

**Indications relatives à la sécurité**—Ceci est un produit de loisirs perfectionné et non un jouet. Il doit être utilisé avec précaution et bon sens et nécessite quelques aptitudes mécaniques ainsi que mentales. L'incapacité à utiliser le produit de manière sûre et raisonnable peut provoquer des blessures et des dégâts matériels conséquents. Ce produit n'est pas destiné à être utilisé par des enfants sans la surveillance par un tuteur. La notice d'utilisation contient des indications relatives à la sécurité ainsi que des indications concernant la maintenance et le fonctionnement du produit. Il est absolument indispensable de lire et de comprendre ces indications avant la première mise en service. C'est uniquement ainsi qu'il sera possible d'éviter une manipulation erronée et des accidents entraînant des blessures et des dégâts. Horizon Hobby ne saurait être tenu responsable d'une utilisation ne respectant pas les lois, les règles ou réglementations en vigueur.

**Questions, assistance et réparations**—Votre revendeur spécialisé local et le point de vente ne peuvent effectuer une estimation d'éligibilité à l'application de la garantie sans avoir consulté Horizon. Cela vaut également pour les réparations sous garantie. Vous voudrez bien, dans un tel cas, contacter le revendeur qui conviendra avec Horizon d'une décision appropriée, destinée à vous aider le plus rapidement possible.

**Maintenance et réparation**—Si votre produit doit faire l'objet d'une maintenance ou d'une réparation, adressez-vous soit à votre revendeur spécialisé, soit directement à Horizon. Emballez le produit soigneusement. Veuillez noter que le carton d'emballage d'origine ne suffit pas, en règle générale, à protéger le produit des dégâts pouvant survenir pendant le transport. Faites appel à un service de messagerie proposant une fonction de suivi et une assurance, puisque Horizon ne prend aucune responsabilité pour l'expédition du produit jusqu'à sa réception acceptée. Veuillez joindre une preuve d'achat, une description détaillée des défauts ainsi qu'une liste de tous les éléments distincts envoyés. Nous avons de plus besoin d'une adresse complète, d'un numéro de téléphone (pour demander des renseignements) et d'une adresse de courriel.

**Garantie et réparations**—Les demandes en garantie seront uniquement traitées en présence d'une preuve d'achat originale émanant d'un revendeur spécialisé agréé, sur laquelle figurent le nom de l'acheteur ainsi que la date d'achat. Si le cas de garantie est confirmé, le produit sera réparé. Cette décision relève uniquement d'Horizon Hobby.

**Réparations payantes**—En cas de réparation payante, nous établissons un devis que nous transmettons à votre revendeur. La réparation sera seulement effectuée après que nous ayons reçu la confirmation du revendeur. Le prix de la réparation devra être acquitté au revendeur. Pour les réparations payantes, nous facturons au minimum 30 minutes de travail en atelier ainsi que les frais de réexpédition. En l'absence d'un accord pour la réparation dans un délai de 90 jours, nous nous réservons la possibilité de détruire le produit ou de l'utiliser autrement.

**ATTENTION:** Nous n'effectuons de réparations payantes que pour les composants électroniques et les moteurs. Les réparations touchant à la mécanique, en particulier celles des hélicoptères et des voitures radiocommandées, sont extrêmement coûteuses et doivent par conséquent être effectuées par l'acheteur lui-même.

10/15

## Informations de contact pour garantie et réparation

Pays d'achat	Horizon Hobby	Numéro de téléphone/E-mail	Adresse
Union européenne	Horizon Technischer Service Sales: Horizon Hobby GmbH	service@horizonhobby.de +49 (0) 4121 2655 100	Hanskampring 9 D 22885 Barsbüttel, Germany

## Informations IC

**IC: 6157A-TIARLTNG1**  
**CAN ICES-3 (B)/NMB-3(B)**

Ce dispositif contient un/des émetteur(s)/récepteur(s) exempt(s) de licence conforme(s) aux CNR d'Innovation, Sciences et Développement économique Canada. Son utilisation est soumise aux deux conditions suivantes :

1. Cet appareil ne doit pas causer d'interférences.
2. Cet appareil doit accepter toute interférence, y compris les interférences pouvant entraîner un fonctionnement indésirable.

## Informations de conformité pour l'Union européenne



### Déclaration de conformité aux normes de l'UE :

**EFL Smart Viper ARF (EFL17770)** : Par la présente, Horizon Hobby, LLC déclare que cet appareil est conforme aux directives suivantes : Directive relative aux équipements radioélectriques 2014/53/UE,

Directive RoHS 2 2011/65/UE, Directive RoHS 3 - Modifiant 2011/65/UE Annexe II 2015/863.

**EFL Smart Viper EDF (EFL17750)** : Par la présente, Horizon Hobby, LLC déclare que cet appareil est conforme aux directives suivantes : Directive CEM 2014/30/UE, Directive RoHS 2 2011/65/UE, Directive RoHS 3 - Modifiant 2011/65/UE Annexe II 2015/863.

Le texte complet de la déclaration de conformité aux normes de l'UE est disponible à l'adresse Internet suivante : <https://www.horizonhobby.com/content/support-render-compliance>.

### Plage de fréquences sans fil et puissance de sortie sans fil :

2402 – 2478 MHz  
 19.95dBm

### NOTE DEEE :



L'étiquette de cet appareil respecte la directive européenne 2012/19/UE en matière de déchets des équipements électriques et électroniques (DEEE). Cette étiquette indique que ce produit ne doit pas être jeté avec les déchets ménagers, mais déposé dans une installation appropriée afin de permettre sa récupération et son recyclage.

### Fabricant officiel pour l'UE :

Horizon Hobby, LLC  
 2904 Research Road  
 Champaign, IL 61822 USA

### Importateur officiel pour l'UE :

Horizon Hobby, GmbH  
 Hanskampring 9  
 22885 Barsbüttel Germany

## WVISO

Tutte le istruzioni, le garanzie e gli altri documenti pertinenti sono soggetti a cambiamenti a totale discrezione di Horizon Hobby, LLC. Per una documentazione aggiornata sul prodotto, visitare il sito [horizonhobby.com](http://horizonhobby.com) o [towerhobbies.com](http://towerhobbies.com) e fare clic sulla sezione Support del prodotto.


## CONVENZIONI TERMINOLOGICHE

Nella documentazione relativa al prodotto vengono utilizzati i seguenti termini per indicare i vari livelli di pericolo potenziale durante l'uso del prodotto:

**AVVERTENZA:** Indica procedure che, se non debitamente seguite, determinano il rischio di danni alle cose, danni collaterali e gravi lesioni alle persone o il rischio elevato di lesioni superficiali alle persone.

**ATTENZIONE:** Indica procedure che, se non debitamente seguite, determinano il rischio di danni alle cose e di gravi lesioni alle persone.

**AVVISO:** Indica procedure che, se non debitamente seguite, possono determinare il rischio di danni alle cose e il rischio minimo o nullo di lesioni alle persone.

 **AVVERTENZA:** leggere TUTTO il manuale di istruzioni e familiarizzare con le caratteristiche del prodotto prima di farlo funzionare. Un uso improprio del prodotto può causare danni al prodotto stesso e alle altre cose e gravi lesioni alle persone.


Questo modello è un prodotto sofisticato per appassionati di modellismo. Deve essere azionato in maniera attenta e responsabile e richiede alcune conoscenze basilari di meccanica. L'uso improprio o irresponsabile di questo prodotto può causare lesioni alle persone e danni al prodotto stesso o alle altre cose. Questo prodotto non deve essere utilizzato dai bambini senza la diretta supervisione di un adulto. Non tentare di smontare, utilizzare componenti incompatibili o modificare il prodotto in nessun caso senza previa approvazione di horizon hobby, llc. Questo manuale contiene le istruzioni per la sicurezza, l'uso e la manutenzione del prodotto. È fondamentale leggere e seguire tutte le istruzioni e le avvertenze del manuale prima di montare, impostare o utilizzare il prodotto, al fine di utilizzarlo correttamente e di evitare di causare danni alle cose o gravi lesioni alle persone.

**Limite minimo di età consigliato: Almeno 14 anni. Non è un giocattolo.**

## Precauzioni e Avvertenze Sulla Sicurezza

L'utente di questo prodotto è l'unico responsabile del corretto utilizzo del medesimo in modo tale da non risultare pericoloso per sé stesso e gli altri e da non danneggiare il prodotto stesso o i beni altrui.

- Mantenere sempre la distanza di sicurezza in tutte le direzioni attorno al modello per evitare collisioni o danni. Questo modello è controllato da un segnale radio soggetto a interferenze provenienti da diverse sorgenti non controllabili dall'utilizzatore. Tali interferenze possono provocare perdite momentanee di controllo.
- Utilizzare sempre il modello in spazi liberi da veicoli, traffico e persone.
- Seguire sempre scrupolosamente le istruzioni e le avvertenze sia per il modello che per tutti gli accessori (caricabatteria, pacchi batteria ricaricabili, ecc.).
- Tenere sempre le sostanze chimiche, le parti piccole e i componenti elettrici fuori dalla portata dei bambini.
- Evitare sempre il contatto con l'acqua di tutte le apparecchiature che non sono state appositamente progettate a tale scopo. L'umidità danneggia i componenti elettronici.
- Non mettere in bocca le parti del modello. Potrebbe essere pericoloso e persino mortale.
- Non utilizzare il modello se le batterie della trasmittente sono poco cariche.
- Tenere sempre il velivolo in vista e sotto controllo.
- Usare sempre batterie completamente cariche.
- Tenere sempre la trasmittente accesa quando il velivolo viene alimentato.
- Rimuovere sempre le batterie prima dello smontaggio.
- Tenere sempre pulite le parti mobili.
- Tenere sempre i componenti asciutti.
- Lasciare sempre che i componenti si raffreddino dopo l'uso prima di toccarli.
- Rimuovere sempre le batterie dopo l'uso.
- Accertarsi sempre che il failsafe sia impostato correttamente prima del volo.
- Non utilizzare mai velivoli con cablaggi danneggiati.
- Non toccare mai le parti in movimento.

 **ATTENZIONE AI PRODOTTI CONTRAFFATTI:** se è necessario sostituire la ricevente Spektrum in dotazione con uno dei prodotti Horizon Hobby, si raccomanda di acquistare sempre da Horizon Hobby, LLC o da un suo rivenditore autorizzato per essere certi dell'autenticità e della qualità del prodotto Spektrum. Horizon Hobby, LLC nega ogni assistenza tecnica e garanzia a titolo esemplificativo, ma non esaustivo in merito alla compatibilità e alle prestazioni di prodotti contraffatti o dichiarati compatibili con la tecnologia DSM o Spektrum.

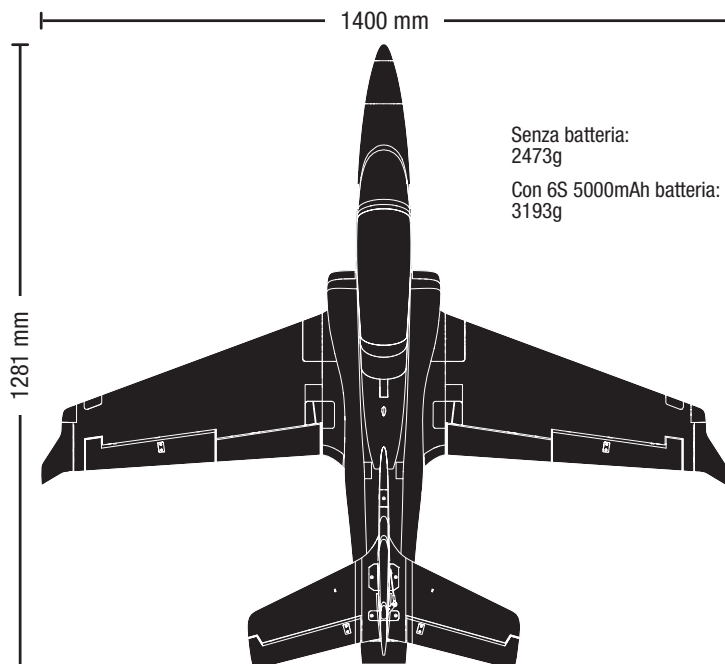


## Guida introduttiva rapida

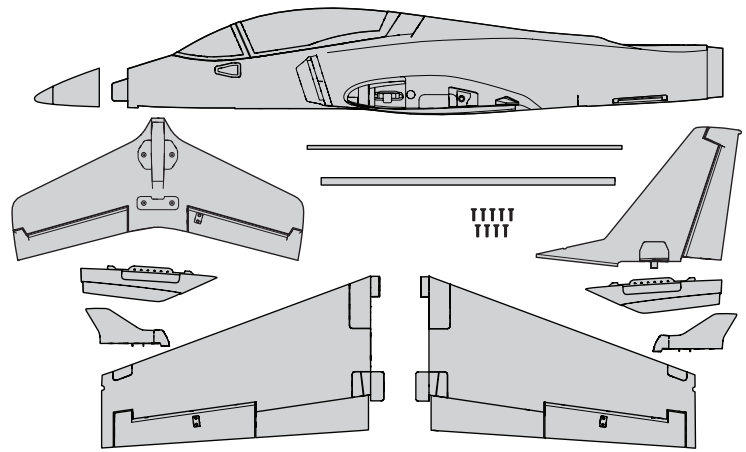
<b>Impostazione della trasmittente</b>	Configurare la trasmittente seguendo la tabella		
<b>Dual Rate</b>		<b>Corsa corta</b>	<b>Corsa lunga</b>
	<b>Alettone:</b> Misurato all'estremità interna	▲ = 11mm ▼ = 11mm	▲ = 16mm ▼ = 16mm
	<b>Equilibratore:</b> Misurato all'estremità interna	▲ = 10mm ▼ = 10mm	▲ = 14mm ▼ = 14mm
	<b>Timone:</b> misurati alla base del timone	► = 19mm ◄ = 19mm	► = 25mm ◄ = 25mm
<b>Baricentro (CG)</b>	10mm (± 7mm) dal bordo posteriore della struttura di montaggio anteriore in plastica dell'ala		
<b>Impostazione timer di volo</b>	3,5 minuti		

## Specifiche

		<b>ARF Plus</b>
<b>Motore:</b> 3670-1950 Kv Brushless Inrunner 4 poli (SPMXAM1400)	<b>Installato</b>	<b>Richiesto</b>
<b>ESC:</b> Avian 130 A Brushless Smart ESC (SPMXAE1130A)	<b>Installato</b>	<b>Richiesto</b>
<b>Servo:</b> Alettone: (2) Spektrum SPMSA450; Elevatore SX: (1) Spektrum SPMSA450; Elevatore DX: (1) Spektrum SPMSA450R; Timone: (1) Spektrum SPMSA450R; Sterzo carrello anteriore: (1) Spektrum SPMSA450	<b>Installato</b>	<b>Installato</b>
<b>Ricevitore:</b> Ricevitore Spektrum™ AR637TA 6 canali AS3X/SAFE con telemetria (SPMAR637T)	<b>Installato</b>	<b>Richiesto</b>
<b>Batteria consigliata:</b> 22,2 V 6S 5000 mAh 30C	<b>Richiesto</b>	<b>Richiesto</b>
<b>Caricabatterie consigliato:</b> con bilanciamento per batterie LiPo a 6 celle	<b>Richiesto</b>	<b>Richiesto</b>
<b>Trasmittente consigliata:</b> a piena portata, 6 canali, 2,4 GHz con tecnologia Spektrum DSM2/DSMX® e Dual Rate programmabili	<b>Richiesto</b>	<b>Richiesto</b>



## Contenuto



## Indice

Tecnologia SAFE Select (BNF Basic).....	52
Prima del volo.....	52
Assemblaggio del modello.....	52
Installazione del ricevitore (ARF Plus).....	54
Impostazione della trasmittente (BNF Basic).....	54
Installare la batteria e armare l'ESC.....	55
Baricentro (CG).....	55
Failsafe e suggerimenti generali per Binding.....	56
Connessione fra trasmittente e ricevente / Commutare ON e OFF il SAFE Select.....	56
Assegnazione interruttore SAFE Select.....	57
Centraggio delle superfici di controllo.....	57
Test di controllo della direzione.....	58
Impostazione squadrette e bracci servi.....	58
Duale Rate (riduttori di corsa) e corsa dei comandi.....	59
Test di risposta dei comandi AS3X (BNF Basic).....	59
Trimmaggio in volo (BNF Basic).....	59
Consigli per il volo e le riparazioni.....	60
Suggerimenti per il volo con SAFE Select.....	60
Installazione e manutenzione del sistema di propulsione.....	61
Dopo il volo.....	61
Guida alla risoluzione dei problemi con l'AS3X.....	62
Guida alla risoluzione dei problemi.....	62
Parti di ricambio.....	63
Parti consigliati.....	63
Parti opzionali.....	63
Ricevitori consigliati (ARF Plus).....	63
Garanzia.....	64
Garanzia e Assistenza - Informazioni per i contatti.....	64
Dichiarazione di conformità per l'Unione europea.....	65

## Tecnologia SAFE Select (BNF Basic)

La versione base di BNF di questo aereo include la tecnologia SAFE Select che può offrire un livello extra di protezione in volo. Utilizzare le seguenti istruzioni per rendere attivo il sistema SAFE Select e assegnarlo a uno switch. Quando abilitato, SAFE Select impedisce all'aeroplano di effettuare operazioni bancarie o pitching oltre i limiti prestabiliti e l'autolivellamento automatico mantiene l'aereo in volo in posizione diritta e in piano quando gli alettoni, elevatore e stick del timone sono in posizione neutra.

SAFE Select viene attivato o disattivato al momento del binding, oppure può essere attivato tramite la programmazione avanzata Forward Programming. Se il modello

viene associato alla trasmittente con SAFE Select attivo, è possibile assegnare un interruttore per accendere e spegnere la funzione SAFE Select. La tecnologia AS3X rimane invece sempre attiva.

SAFE Select può essere configurato in tre modi:

- SAFE Select Off: sempre in modalità AS3X
- SAFE Select On-no switch assegnato: sempre in modalità SAFE Select
- SAFE Selezionare On con un interruttore assegnato

## Prima del volo

1. Ispezionare il contenuto togliendolo dalla scatola.
2. Leggere completamente questo manuale di istruzioni.
3. Caricare la batteria di bordo.
4. Impostare la trasmittente usando l'apposita tabella.
5. Montare completamente l'aereo.
6. Installare la batteria a bordo del modello (dopo averla caricata completamente)
7. Controllare il baricentro (CG).
8. Connettere l'aereo alla propria trasmittente.

9. Verificare che i comandi si muovano liberamente.
10. Provare il funzionamento dei flap.
11. Verificare la direzione di movimento dei comandi con la trasmittente.
12. Con l'aereo verificare la direzione del movimento dei controlli AS3X.
13. Regolare i comandi di volo e la trasmittente.
14. Eseguire una prova di portata del radiocomando.
15. Cercare un'area aperta e sicura per volare.
16. Programmare il volo in base alle condizioni del campo.

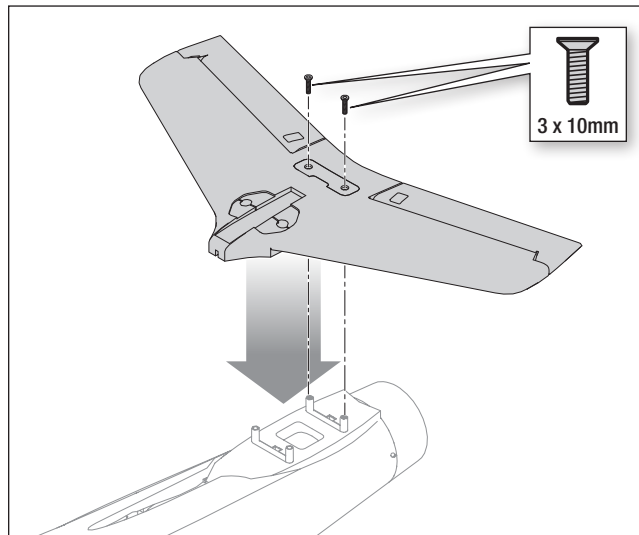
## Assemblaggio del modello

### Installazione dello stabilizzatore orizzontale

1. Collegare sia i connettori del servo dell'elevatore alle prolunghe nella fusoliera etichettata ELEV. Alimentare il filo del servo in eccesso nella fusoliera.
2. Premere lo stabilizzatore orizzontale sui quattro montanti sulla fusoliera, prestando attenzione a non schiacciare i cavi dei servo.

3. Inserire due viti 3 x 10 mm attraverso la superficie orizzontale e nei fori posteriori nella fusoliera.

**CONSIGLIO:** è necessaria una chiave a brugola da 2,0 mm. Non serrare eccessivamente le viti.



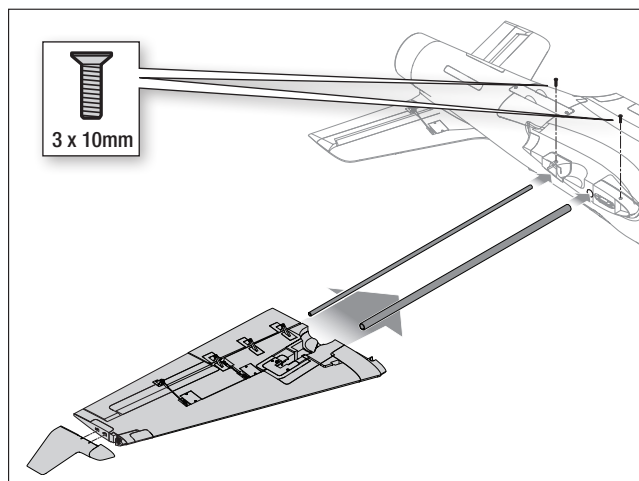
### Installazione dell'ala

1. Capovolgere la fusoliera.
2. Inserire il tubo alare più corto nel foro anteriore della fusoliera (530 mm x 12,6 mm).
3. Inserire il tubo alare più lungo nel foro posteriore della fusoliera (580 mm x 7,8 mm).
4. Far scorrere il pannello alare sinistro in posizione sui tubi, assicurandosi che i connettori a mani libere siano allineati e che si inseriscano completamente l'uno nell'altro.

5. Fissare l'ala alla fusoliera con due viti 3 x 10 mm.

**CONSIGLIO:** è necessaria una chiave a brugola da 2,0 mm. Non serrare eccessivamente le viti.

Ripetere la procedura per il pannello alare destro.

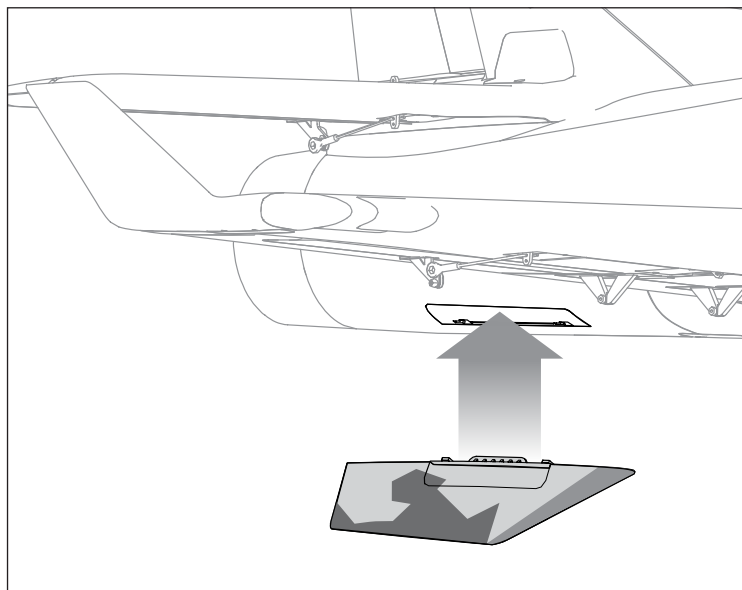


## Installazione delle alette ventrali

1. Montare le alette ventrali sinistra nella fusoliera e far scorrere a poppa per fissarla.

**CONSIGLIO:** il lato grigio deve essere rivolto verso l'interno e il lato dettagliato deve essere rivolto verso l'esterno.

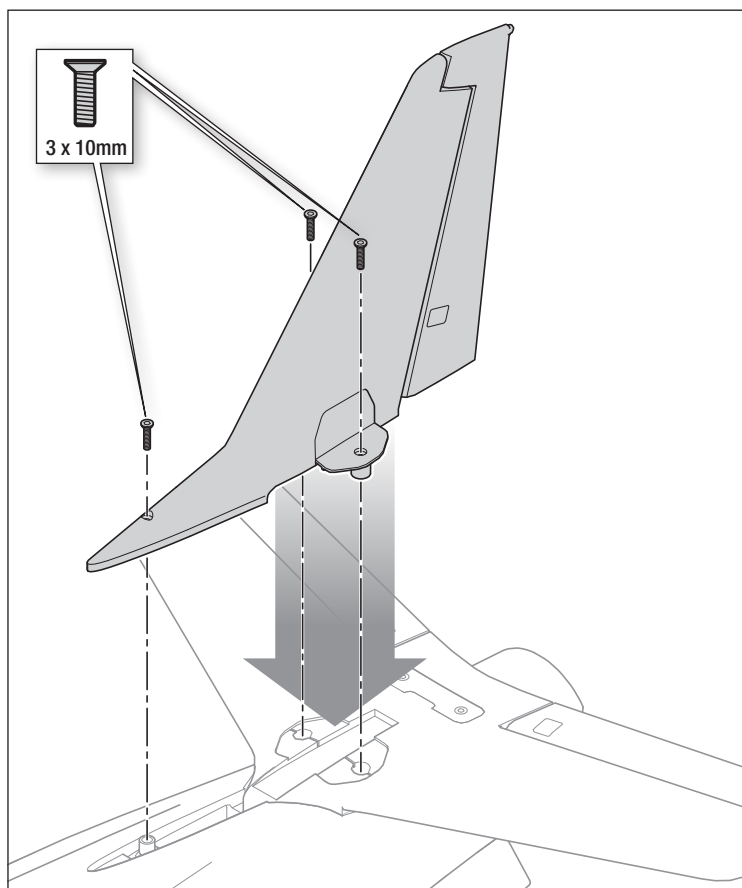
2. Montare le alette ventrali destra nella fusoliera e far scorrere a poppa per fissarla.



## Installazione del piano di coda verticale

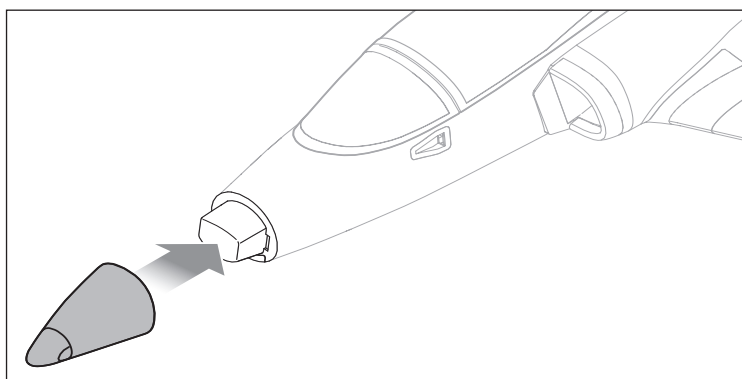
1. Collegare il connettore del servo del timone alla prolunga nella fusoliera etichettata RUDD. Alimentare il filo del servo in eccesso nella fusoliera.
2. Premere il piano di coda verticale nella fessura nel piano di coda orizzontale e nella fusoliera, assicurando che nessun filo di servo sia pizzicato.
3. Inserire tre viti 3 x 10 mm attraverso il piano di coda verticale e nella fusoliera. Non serrare eccessivamente le viti.

**CONSIGLIO:** è necessaria una chiave a brugola da 2,0 mm. Non serrare eccessivamente le viti.



## Installazione della carenatura anteriore

Allineare e fissare la carenatura anteriore alla fusoliera. Il cono anteriore viene fissato in sede tramite magneti.



## Installazione del ricevitore (ARF Plus)

Per questo aeromodello si consiglia il ricevitore Spektrum AR637T. Se si sceglie di montare un altro ricevitore, assicurarsi che si tratti di un modello a piena portata (sport) con almeno 6 canali. Consultare il manuale del ricevitore per le istruzioni di installazione e uso.

### Installazione (AR637T in figura)

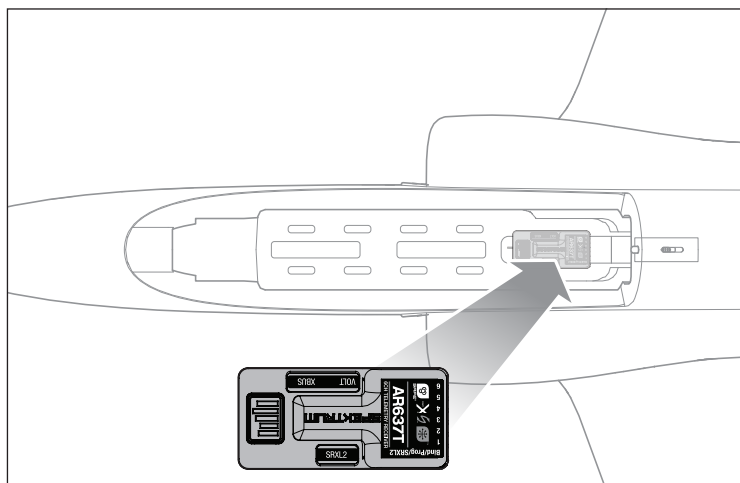
1. Montare il ricevitore parallelamente alla lunghezza della fusoliera come mostrato. Utilizzare nastro biadesivo per impieghi gravosi.

**AVVISO:** l'installazione errata del ricevitore può causare perdita di controllo e schianto al suolo.

2. Collegare le superfici di controllo con le rispettive porte sul ricevitore come indicato in tabella.

### Assegnazioni porte AR637T

<b>BND/PRG = BIND</b>	<b>4 = Timone</b>
<b>1 = Gas</b>	<b>5 = Retrazione</b>
<b>2 = Alettoni</b>	<b>6 = Flap</b>
<b>3 = Equilibratore</b>	



## Impostazione della trasmittente (BNF Basic)

**IMPORTANTE:** dopo avere configurato il modello, ripetere sempre la procedura di binding tra trasmittente e ricevitore per regolare le posizioni di failsafe desiderate.

Il canale GEAR (CH 5) controlla il carrello retrattile. Se si utilizza una trasmittente a 6 canali, il canale FLAP (CH 6) può essere utilizzato per attivare SAFE Select. Con i valori elencati di seguito, SAFE viene attivato per le posizioni flap a metà e tutto flap e l'AS3X si attiva per la posizione no flap.

Per utilizzare il canale flap per attivare SAFE Select, è necessario impostare momentaneamente i valori su +100 e -100 e la velocità su 0 per assegnare l'interruttore di sicurezza nel menu dei sistemi flap. Riportare quindi i valori dei sistemi flap a quelli indicati nella configurazione della trasmittente. Per assegnare un'interruttore a SAFE Select, vedere le istruzioni nella corrispondente sezione di questo manuale.

### Dual Rate (riduttori di corsa)

**Condurre i primi voli con i riduttori di corsa su Low Rate (corsa corta). Per l'atterraggio, applicare High Rate (corsa lunga) all'equilibratore.**

**AVVISO:** per garantire il corretto funzionamento della tecnologia AS3X, non ridurre le corse sotto il 50%. Se si desidera una minore deviazione dei comandi, regolare manualmente la posizione delle aste di comando sui bracci del servo

**AVVISO:** consultare la guida alla risoluzione dei problemi per avere maggiori informazioni se si verificano oscillazioni ad alta velocità.

### Esponenziale

Dopo i primi voli, è possibile regolare le corse esponenziali nella trasmittente.

\*Funzioni e terminologia usate nella programmazione delle trasmissioni iX12 e iX20 possono in parte essere leggermente diverse da quelle degli altri radiocomandi Spektrum AirWare™. I nomi dati tra parentesi corrispondono alla terminologia di programmazione delle trasmissioni iX12 e iX20. Consultare il manuale della trasmittente per informazioni specifiche sulla sua programmazione.

\*I valori di programmazione dei flap possono variare leggermente. Per i voli iniziali usare le impostazioni di corsa dei flap consigliate fornite, per i voli successivi regolare la corsa del flap a seconda delle preferenze.

### Impostazione della trasmittente digitale

Iniziare la programmazione della trasmittente con un modello ACRO non configurato (eseguire il reset del modello), quindi assegnare un nome al modello.

Imp. Dual Rate	HIGH (LUNGO) 100%	LOW (CORTO) 70%
Imp. corsa servo	100%	
Imp. taglio gas	-100%	
Imp. canale retrazione	Inversione	
Imp. expo alettone	High Rate 10%	Low Rate 5%
Imp. expo equilibratore	High Rate 10%	Low Rate 5%
Imp. expo timone	High Rate 10%	Low Rate 5%
DXS	Vedere spektrumrc.com per la configurazione di download appropriata.	
DX7S DX8	1. Andare su SYSTEM SETUP (IMPOSTAZIONE SISTEMA)	
	2. Imp. MODEL TYPE (TIPO MODELLO): AIRPLANE (AEROPLANO)	
DX6e DX6 (2) DX7 (2) DX8e DX8 (2) DX9 DX10t DX18 DX20 iX12 iX20 NX6 NX8 NX10	3. Imp. WING TYPE (TIPO ALA): 1 AIL; 1 FLP	
	4. IMPOSTARE FLAP SYSTEM	
	POS 0:	100% FLAP*      0% ELEVATORE
	POS 1:	0% FLAP*      -3% ELEVATORE
	POS 2:	-100% FLAP*      -5% ELEVATORE
	Switch: SWITCH D	
	Speed: 2.0S	
	1. Andare in SYSTEM SETUP (IMPOSTAZIONE SISTEMA) (Model Utilities [Gestione modelli])†	
	2. Imp. MODEL TYPE (TIPO MODELLO): AIRPLANE (AEROPLANO)	
	3. Imp. AIRCRAFT TYPE (TIPO AEROMODELLO) (Model Setup, Aircraft Type)†:	
	ALA: 1 AIL; 1 FLAP	
	4. Imp. CHANNEL ASSIGN (ASSEGNAZIONE CANALE) (Model Setup, Channel Assign)†:	
	(Assegnazione switch / interruttore di default per setup nuovo modello)	
	Carrello (CH5): SWITCH A	
	4. IMPOSTARE FLAP SYSTEM	
	Switch: SWITCH D	
	POS 0:	100% FLAP*      -0% ELEVATORE
	POS 1:	0% FLAP*      -3% ELEVATORE
	POS 2:	-100% FLAP*      -5% ELEVATORE
	Speed: 2.0S	

## Installare la batteria e armare l'ESC

### Scelta della batteria

È richiesta una batteria 6S 4000–7000 mAh LiPo. Si consiglia una batteria Spektrum 5000 mAh 22,2 V 6S 30C L-Po (SPMX50006S30). Consultare l'elenco delle parti opzionali per le altre batterie consigliate. Se si usano batterie diverse da quelle elencate, queste devono avere capacità, peso e dimensioni analoghe a quelle della batteria Spektrum LiPo consigliata, per consentirne l'alloggiamento in fusoliera. Prima di volare, verificare che il baricentro (CG) si trovi nel punto indicato.

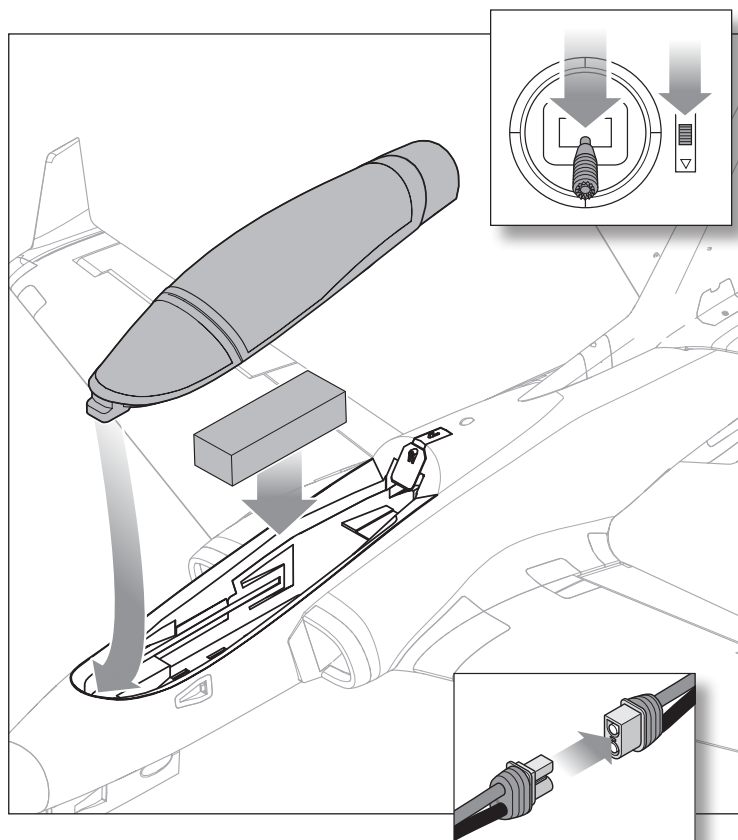
1. Abbassare completamente trim e stick del gas. Accendere la trasmittente e attendere 5 secondi.
2. Aprire lo sportello della batteria.
3. Per una maggiore sicurezza, si consiglia di applicare il lato ad asola (lato morbido) della fascetta a strappo opzionale sul fondo della batteria e il lato a uncino al vassoio porta batteria.
4. Installare la batteria completamente carica al centro del vano batteria come mostrato. Fissare usando le fascette a strappo.
5. Collegare la batteria all'ESC. Se la sequenza di binding non è ancora stata eseguita, procedere ora seguendo le istruzioni di questo manuale.

**ATTENZIONE:** tenere sempre le mani e indumenti non aderenti lontano dalla presa di aspirazione della ventola. Quando armato, il motore fa girare il rotore a ogni minimo spostamento dello stick motore.

6. Tenere il modello immobile e al riparo dal vento, altrimenti il sistema non si inizierà.
  - Il motore emette una serie di note crescenti quando la batteria viene collegata e poi 6 toni uniformi a indicare il numero di celle collegate.
  - Un LED si accende sul ricevitore una volta inizializzato
7. Rimontare lo sportello della batteria.

### Segnali acustici dell'ESC

Se l'ESC emette un doppio bip continuo quando si collega la batteria di volo, ricaricare o sostituire la batteria.



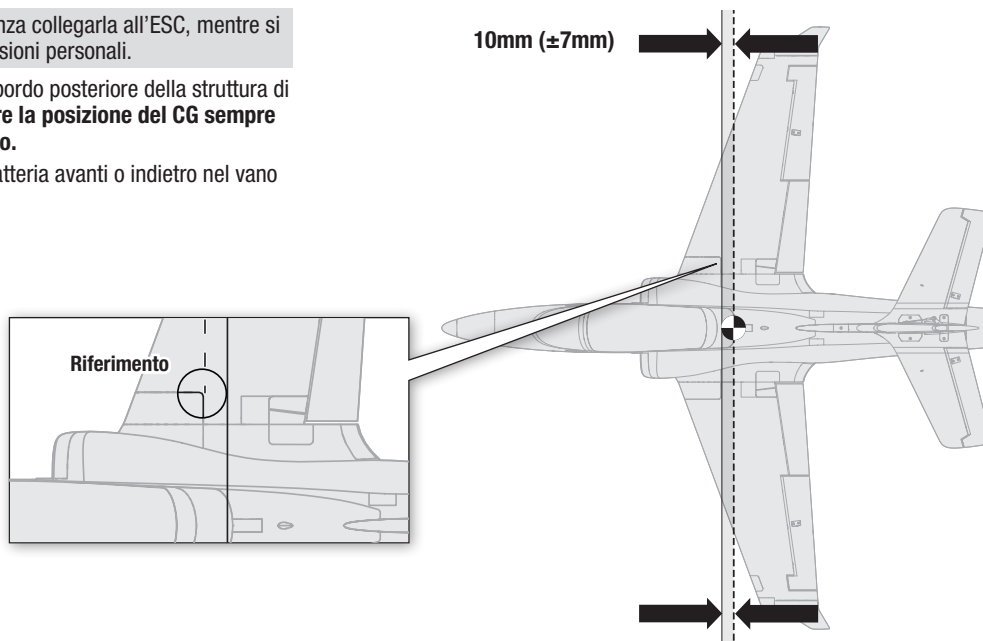
Segnali di errore ESC	Significato	Possibile problema
Segnali acustici singoli lenti continui	Segnale manetta anomalo	Trasmittente e ricevitore non connessi Filo elettrico manetta danneggiato o non inserito nel ricevitore Filo elettrico manetta inserito nel retro del ricevitore
Segnali acustici singoli rapidi continui	Segnale manetta non in posizione bassa	Stick manetta non in posizione bassa Corsa manetta ridotta di oltre il 100% Manetta invertita Trim manetta sollevata
Toni doppi continui	Tensione batteria oltre la portata accettabile	Verificare che la batteria sia una LiPo 6 celle 22,2V Verificare che la batteria sia completamente carica

### Baricentro (CG)

**AVVERTENZA:** montare la batteria, ma senza collegarla all'ESC, mentre si verifica la posizione del CG. Si rischiano lesioni personali.

La posizione del CG si trova a 10mm ( $\pm 7$ mm) dal bordo posteriore della struttura di montaggio anteriore in plastica dell'ala. **Controllare la posizione del CG sempre con il modello ca-povolto e il carrello abbassato.**

La posizione del CG viene regolata spostando la batteria avanti o indietro nel vano batteria.





## Failsafe e suggerimenti generali per Binding

- Il ricevitore incluso è stato programmato specificamente per questo aeromodello. In caso di sostituzione del ricevitore, consultare il manuale del ricevitore per impostarlo correttamente.
- Tenersi a distanza da grandi oggetti metallici durante la connessione.
- Non puntare l'antenna della trasmittente direttamente al ricevitore durante la connessione.
- Il LED arancione sul ricevitore inizia a lampeggiare rapidamente quando il ricevitore entra in modalità di binding.

- Una volta collegato, il ricevitore mantiene le impostazioni di binding per la trasmittente a cui è stato associato fino a quando non si esegue nuovamente il binding.
- Se il ricevitore perde la comunicazione con la trasmittente, il failsafe si attiva. Il failsafe sposta il canale del gas in posizione di gas basso. I canali di rollio e beccheggio si muovono per stabilizzare il modello in una virata discendente.
- In caso di problemi, consultare la guida alla risoluzione dei problemi o, se necessario, contattare il servizio di assistenza di Horizon Hobby.

## Connessione fra trasmittente e ricevente / Commutare ON e OFF il SAFE Select

La versione BNF Basic di questo modello include la tecnologia SAFE Select, che consente di scegliere il livello di protezione dell'involuppo di volo. La modalità SAFE permette di impostare limiti di angolo e il ritorno automatico al volo livellato. La modalità AS3X fornisce al pilota una risposta diretta agli stick di comando. SAFE Select viene abilitato o disattivato durante il processo di binding. Con SAFE Select disabilitato l'aereo è sempre in modalità AS3X. Con SAFE Select abilitato l'aereo è sempre in modalità SAFE Select, oppure è possibile assegnare un interruttore per passare tra le modalità SAFE Select e AS3X.

Grazie alla tecnologia SAFE Select, questo modello può dunque essere impostato in modalità SAFE non disinseribile, in modalità AS3X non disinseribile oppure è possibile assegnare a un interruttore la commutazione tra una modalità e l'altra.

**IMPORTANTE:** prima del binding, leggere in questo manuale la sezione relativa alle impostazioni della trasmittente e seguire la relativa tabella per programmare la trasmittente in modo corretto per questo modello.

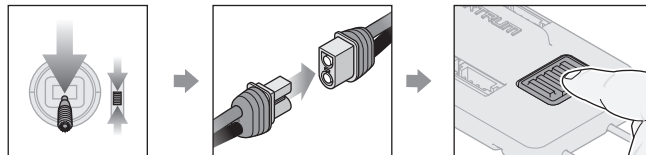
**IMPORTANTE:** spostare i comandi di volo della trasmittente (timone, equilibratori e alettoni) e il trim del gas in posizione neutra. Spostare il gas in basso prima e durante il binding.

Per completare la procedura di binding e SAFE Select, è possibile utilizzare il pulsante di binding sul ricevitore o il connettore di binding convenzionale.

**SAFE può essere attivato anche tramite la programmazione avanzata (Forward Programming).**

### Uso del pulsante di binding...

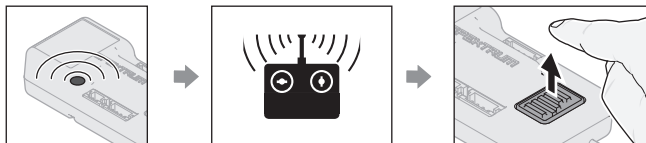
#### SAFE Select attivato



Abbassare il gas

Collegare l'alimentazione

Premere e tenere premuto il pulsante di binding



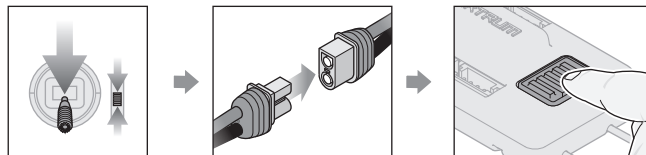
Il LED arancione lampeggia

Procedere con il binding tra TX e RX

Rilasciare il pulsante di binding

**SAFE SELECT ATTIVATO:** le superfici di controllo si muovono avanti e indietro **due volte** con una leggera pausa in posizione neutra ogni volta che il ricevitore viene acceso.

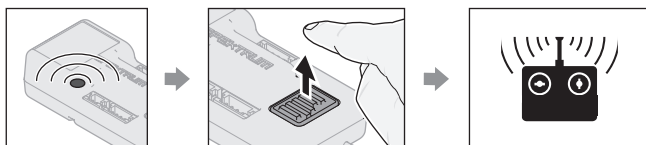
#### SAFE Select disattivato



Abbassare il gas

Collegare l'alimentazione

Premere il pulsante di binding



Il LED arancione lampeggia

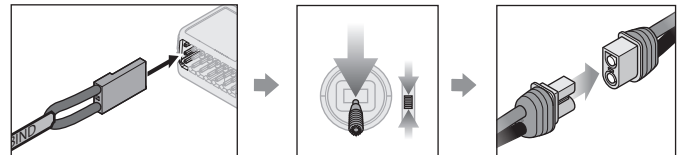
Rilasciare il pulsante di binding

Procedere con il binding tra TX e RX

**SAFE SELECT DISATTIVATO:** le superfici di controllo si muovono avanti e indietro **una volta** ogni volta che il ricevitore viene acceso.

### Rimuovere il connettore di binding...

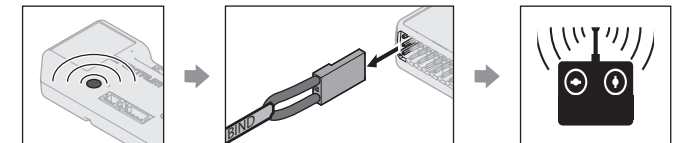
#### SAFE Select attivato



Installare il connettore di binding

Abbassare il gas

Collegare l'alimentazione



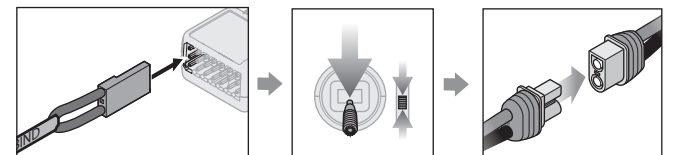
Il LED arancione lampeggia

Rimuovere il connettore di binding

Procedere con il binding tra TX e RX

**SAFE SELECT ATTIVATO:** le superfici di controllo si muovono avanti e indietro **due volte** con una leggera pausa in posizione neutra ogni volta che il ricevitore viene acceso.

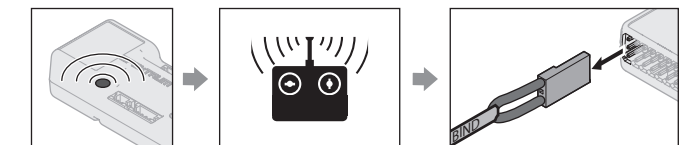
#### SAFE Select disattivato



Installare il connettore di binding

Abbassare il gas

Collegare l'alimentazione



Il LED arancione lampeggia

Procedere con il binding tra TX e RX

Rimuovere il connettore di binding

**SAFE SELECT DISATTIVATO:** le superfici di controllo si muovono avanti e indietro **una volta** ogni volta che il ricevitore viene acceso.

## Assegnazione interruttore SAFE Select

La tecnologia SAFE Select può essere assegnata a un qualsiasi interruttore libero (posizione 2 o 3) che controlla un canale (5-9) sulla trasmittente. Una volta assegnata a un interruttore, SAFE Select ON assicura la flessibilità di scegliere la tecnologia SAFE o la modalità AS3X durante il volo. Se il velivolo è connesso con il SAFE Select acceso (OFF), il modellino sarà esclusivamente in modalità AS3X.

**IMPORTANTE:** Prima di assegnare l'interruttore desiderato, accertarsi che per questo canale la corsa sia al 100% in entrambe le direzioni e che alettone, elevatore, timone e gas siano tutti su alta velocità con spostamento al 100%.

**ATTENZIONE:** Tenere tutte le parti del corpo ben lontane dall'elica e contenere il velivolo in modo sicuro in caso di accidentale attivazione del gas.

**CONSIGLIO:** Il SAFE Select può essere assegnato a uno qualunque dei canali 5-9 disponibili. Fare riferimento al manuale della trasmittente per maggiori informazioni sull'assegnazione di un interruttore a un canale.

**CONSIGLIO:** Usare il monitor del radiocanale per confermare che i quattro canali principali indicano spostamento 100% durante l'assegnazione dell'interruttore.

**CONSIGLIO:** Usare il monitor del canale per accertarsi che l'interruttore per l'assegnazione di SAFE Select sia attivo e azionare un canale tra 5-9 e che si sposti 100% in ciascuna direzione.

**CONSIGLIO:** Accertarsi che i quattro canali principali non siano invertiti in caso di problemi ad assegnare un interruttore SAFE Select.

## Centraggio delle superfici di controllo

Completato il montaggio e configurata la trasmittente, verificare che le superfici di controllo siano centrate. Il modello deve essere acceso e associato alla trasmittente in modalità AS3X, con la manetta a zero. Se abilitata, la modalità SAFE si attiva all'accensione. La modalità AS3X si attiva quando la manetta supera per la prima volta il 25% dopo l'accensione. È normale che le superfici di controllo rispondano ai movimenti del modello se questo è in modalità AS3X o SAFE.

1. Verificare che trim e sub trim sulla trasmittente siano a zero
2. Accendere il modello in modalità AS3X e lasciare la manetta a zero

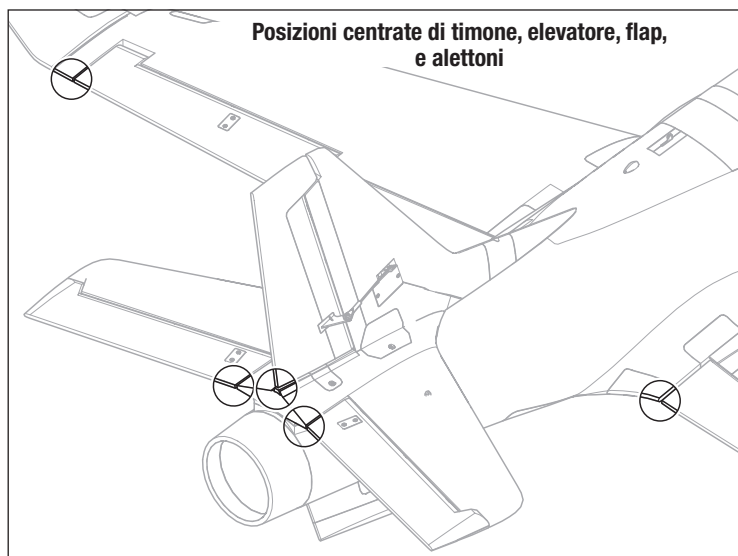
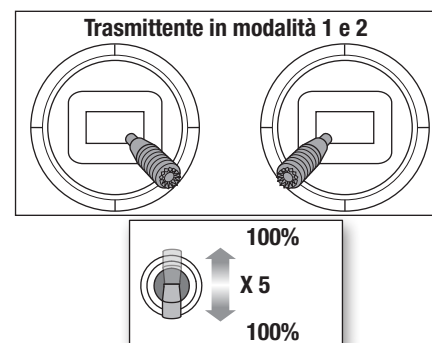
**AVVISO:** prestare attenzione all'eventualità che l'asta di comando tocchi il fondo nell'attacco a sfera. Non avvitare l'asta di comando troppo in profondità nell'attacco a sfera, altrimenti l'asta danneggerà il giunto e sposterà nello spazio necessario per la sfera.

3. Centrare il timone rispetto alla parte inferiore della deriva. Se è necessaria una regolazione, ruotare l'attacco a sfera sul rinvio per cambiare la lunghezza tra il braccio del servo e la squadretta di controllo fino a raddrizzare il timone.
4. Centrare gli alettoni allineando l'estremità esterna dell'alettone con il bordo di uscita alare. Regolare la lunghezza del rinvio come al punto 3, se necessario.
5. Centrare gli stabilizzatori allineandone l'estremità esterna con il bordo d'uscita della fusoliera. Regolare la lunghezza del rinvio come al punto 3, se necessario.
6. Centrare i flap allineando l'estremità interna dei flap con l'aletta sulla fusoliera. Regolare la lunghezza del rinvio come al punto 3, se necessario.

## Assegnazione di un interruttore

1. Collegare il velivolo per scegliere SAFE Select ON. Questo permetterà l'assegnazione del SAFE Select a un interruttore.
2. Tenere entrambi gli stick della trasmittente in basso e verso l'interno mentre si commuta l'interruttore scelto per 5 volte (1 commutazione = corsa completa in su e giù) per assegnare quell'interruttore. Le superfici di controllo dell'aeromodello si muoveranno, indicando che l'interruttore è stato selezionato.

Ripetere la procedura per assegnare un interruttore diverso o per disattivare l'interruttore di corrente, se desiderato.



## Test di controllo della direzione

Accendere il trasmettitore e collegare la batteria. Usare il trasmettitore per far funzionare l'alettone e i comandi dell'elevatore. Visualizzare il velivolo dal retro quando si controlla le direzioni dei comandi.

### Alettoni

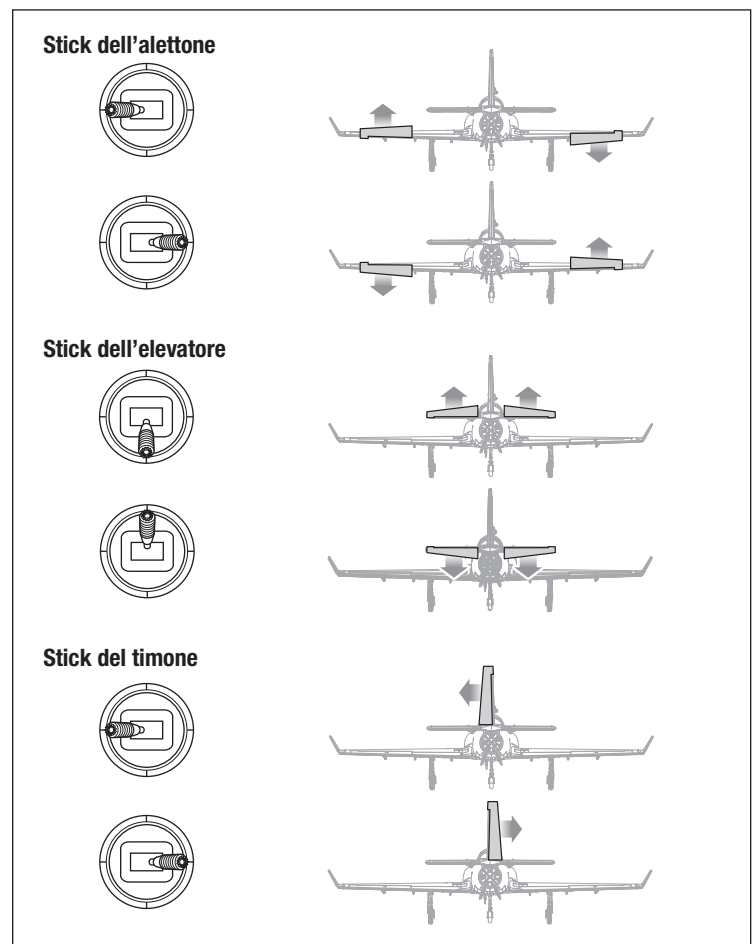
1. Spostare lo stick dell'alettone a sinistra. L'alettone destro dovrebbe spostarsi verso il basso e l'alettone sinistro verso l'alto, causando l'inclinazione verso sinistra del velivolo.
2. Spostare lo stick dell'alettone a destra. L'alettone destro dovrebbe spostarsi verso l'alto e l'alettone sinistro verso il basso, causando l'inclinazione verso destra del velivolo.

### Elevatori

3. Tirare verso di sé. Gli elevatori devono spostarsi verso l'alto, causando il beccheggio verso l'alto del velivolo.
4. Spingere lo stick dell'elevatore in avanti. Gli elevatori devono spostarsi verso il basso, causando il beccheggio verso il basso del velivolo.

### Timone

5. Spostare lo stick del timone a sinistra. Il timone deve spostarsi verso sinistra.
6. Spostare lo stick del timone a destra. Il timone deve spostarsi verso destra.



## Impostazione squadrette e bracci servi

La tabella qui a destra mostra le impostazioni di fabbrica per le squadrette e i bracci dei servi. Prima di fare cambiamenti, far volare l'aereo con questa impostazione.

**AVVISO:** se si cambiano le corse dei comandi rispetto alle impostazioni di fabbrica, è necessario modificare anche i valori di sensibilità sulla ricevente AR637TA. Per fare queste regolazioni si faccia riferimento al manuale della ricevente Spektrum AR637TA.

Dopo aver volato, potrebbe essere necessario regolare la posizione dei rinvii per avere la risposta ai comandi desiderata. Si veda la tabella qui a destra.

Impostazioni di fabbrica	Squadrette di controllo	Bracci dei servo
Elevatore		
Timone		
Alettoni		
Flap		
Sterzo carrello anteriore		

Tuning	Squadrette di controllo	Bracci dei servo
Più corsa di controllo		
Meno corsa di controllo		

## Duale Rate (riduttori di corsa) e corsa dei comandi

Programmare la trasmittente per impostare i ratei e le corse dei comandi in funzione al proprio livello di esperienza. Tali valori sono stati verificati e sono un buon punto di partenza per volare con successo sin dalla prima volta. Una volta presa sufficiente dimestichezza, è possibile personalizzare i valori per ottenere la risposta ai comandi desiderata.

	Corsa corta	Corsa lunga
<b>Alettone</b>	11mm (7/16") ▲ 11mm (7/16") ▼	16mm (5/8") ▲ 16mm (5/8") ▼
<b>Elevatori</b>	10mm (3/8") ▲ 10mm (3/8") ▼	14mm (9/16") ▲ 14mm (9/16") ▼
<b>Timone</b>	19mm (3/4") ◀▶	25mm (1") ◀▶

## Test di risposta dei comandi AS3X (BNF Basic)

This test ensures that the AS3X control system is functioning properly. Assemble the aircraft and bind your transmitter to the receiver before performing this test.

1. Raise the throttle to any setting above 25%, then lower the throttle to activate AS3X technology.

**CAUTION:** Keep all body parts, hair and loose clothing away from the fan intake, as these items could become entangled.

2. Move the entire aircraft as shown and ensure the control surfaces move in the direction indicated in the graphic. If the control surfaces do not respond as shown, do not fly the aircraft. Refer to the receiver manual for more information.

Once the AS3X system is active, control surfaces may move rapidly. This is normal. AS3X remains active until the battery is disconnected.

	Movimenti aeromodello	Reazione AS3X
Beccheggio		
Rollio		
Imbardata		

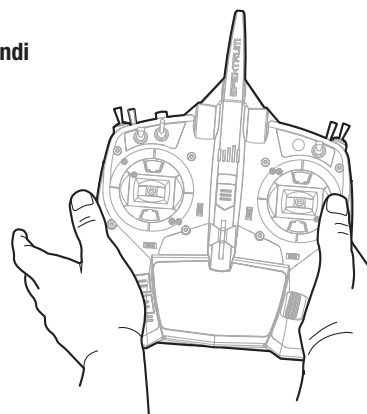
## Trimmaggio in volo (BNF Basic)

Durante il primo volo, trimmare l'aereo in modo che voli livellato. Applicare lievi correzioni ai trim tramite i relativi interruttori della trasmittente per ottenere una traiettoria rettilinea.

Dopo aver regolato i trim, non toccare gli stick di comando per almeno 3 secondi. Questo permette alla ricevente di memorizzare le correzioni per ottimizzare le prestazioni dell'AS3X.

Se non si fa questo, si potrebbe influire sulle prestazioni in volo.

3 Secondi



## Consigli per il volo e le riparazioni

Consultare leggi e normative locali prima di scegliere il punto di involo del modello.

### Per iniziare

Prima di andare in volo è necessario fare una prova di portata del radiocomando. Per maggiori informazioni si rimanda al manuale della trasmittente. Quando si collega per la prima volta la batteria all'aereo, l'AS3X non è attivo. Portando in avanti lo stick del motore oltre il 25%, il sistema AS3X si attiva ed è normale vedere le superfici di controllo reagire al movimento dell'aeromodello. Per i primi voli, impostare il timer della trasmittente o un cronometro a 3,5 minuti. Dopo i primi voli si potrà aumentare o diminuire il tempo in base ai risultati ottenuti.

### Decollo

Decollare sempre controvento. Impostare la trasmittente su riduttori corti, regolare il flap in posizione di decollo e salire gradualmente a piena manetta. Sterzare al suolo con il timone per mantenere l'aereo in movimento rettilineo, se necessario. Tenere presente che più la velocità aumenta, più la ruota anteriore diventa sensibile. Mantenere l'equilibratore in posizione neutra e lasciare che il velivolo continui la sua corsa fino a raggiungere la velocità di decollo, quindi sollevare delicatamente l'equilibratore per la rotazione e decollare. Una volta in aria, salire ad altitudine adeguata, ritrarre il carrello di atterraggio e sollevare i flap in posizione normale.

### Volo

Per i primi voli, salire a quota moderata per prendere confidenza con l'aereo con la batteria ancora ben carica. Familiarizzarsi con il comportamento del modello a bassa velocità a una quota sicura (circa 30 metri o più) prima di cimentarsi con l'atterraggio. Far atterrare l'aereo quando il timer indica che il tempo è finito. Se la potenza del motore sembra ridursi durante il volo, atterrare immediatamente e ricaricare la batteria di bordo. Vedere la sezione "Spegnimento per bassa tensione (LVC)" per maggiori informazioni su come massimizzare efficacia e autonomia della batteria.

### Atterraggio

Atterrare sempre controvento, quando possibile. Volare sottovento, portare i flap in posizione di decollo e virare controvento per iniziare l'avvicinamento. Estrarre il carrello e ridurre la manetta. Durante l'avvicinamento e la discesa, mantenere le ali livellate e l'aeromodello rivolto controvento. L'assetto (angolo dell'aereo rispetto all'orizzonte) durante la discesa deve rimanere costante e con muso leggermente sollevato. Mantenendo l'angolo d'attacco durante la discesa, velocità e rateo di discesa vengono controllati per lo più con piccole variazioni della manetta. Una volta confermato, è possibile atterrare, impostando i flap in posizione di atterraggio e mantenendo potenza per conservare velocità e controllo durante la discesa fino alla richiamata. Quando scendendo l'aereo entra in effetto suolo, togliere del tutto la manetta, tirare il muso verso l'alto per ridurre la velocità (richiamata) e lasciare che il modello si adagi sulle ruote.

Se si atterra su erba, è meglio mantenere l'elevatore completamente sollevato anche dopo l'atterraggio e durante il rullaggio per evitare che il muso si impunti. Una volta a terra, evitare brusche virate fino a quando la velocità non si è sufficientemente ridotta da non raschiare a terra le estremità alari.

## Suggerimenti per il volo con SAFE Select

Quando si vola in modalità SAFE Select, l'aereo torna a volare in piano ogni volta che i comandi dell'alettone e dell'elevatore sono in posizione neutra. L'applicazione del comando di alettone o elevatore porta l'aeroplano a inclinarsi, cabrare o picchiare e la quantità di movimento dello stick determina l'assetto assunto. Dando pieno comando, l'aeromodello viene spinto ai limiti preimpostati di rollio e beccheggio, senza però superare tali angoli.

Quando si vola con SAFE Select è normale tenere lo stick di controllo deflesso applicando moderatamente l'alettone nel volo in virata. Per volare senza problemi con SAFE Select, evitare di effettuare cambi frequenti di controllo e non tentare di correggere le deviazioni minori. Con SAFE Select, mantenere input di controllo intenzionali porta il modello a volare con un angolo specifico e a eseguire tutte le correzioni necessarie per mantenere tale assetto di volo.

Ripartire i comandi di elevatore e alettone in posizione neutra prima di passare dalla modalità SAFE Select alla modalità AS3X. Se i comandi non vengono portati in posizione neutra quando si passa alla modalità AS3X, gli input di controllo utilizzati per la modalità SAFE Select saranno eccessivi per la modalità AS3X e l'aereo reagirà immediatamente.

**AVVISO:** nell'imminenza di un impatto, togliere completamente trim e motore. In caso contrario, il rischio di danni a cellula, ESC e motore aumenta.

**AVVISO:** dopo un impatto, verificare che il ricevitore sia rimasto al suo posto in fusoliera. Se è necessario sostituire il ricevitore, bisogna avere cura di montare quello nuovo nella stessa posizione e con lo stesso orientamento di quello originale, per evitare il rischio di danni.

**AVVISO:** i danni dovuti a impatto col suolo non sono coperti dalla garanzia.

**AVVISO:** concluso il volo, non lasciare mai l'aeromodello direttamente esposto al sole e non riporlo in luoghi chiusi ed eccessivamente caldi, come per esempio un'auto. Farlo può danneggiarlo.

### Protezione da bassa tensione (LVC)

Le batterie LiPo non riescono a mantenere la carica se scaricandosi scendono sotto i 3 V per cella. L'ESC protegge la batteria dalla sovra scarica per mezzo della funzione LVC (Low Voltage Cutoff). Quando la tensione della batteria si riduce troppo, la funzione LVC scollega l'alimentazione dal motore. L'alimentazione per il motore si riduce, indicando che una parte della carica della batteria è riservata per le funzioni di volo e per consentire un atterraggio sicuro.

Dopo l'uso, scollegare la batteria LiPo e toglierla dal modello per evitare che sia soggetta a scarica lenta. Prima di riporre la batteria LiPo in caso di previsto lungo inutilizzo, caricarla a metà della sua capacità. Nel periodo di non utilizzo, controllare di tanto in tanto che la tensione non scenda sotto i 3 V per cella. In questo caso la funzione LVC ovviamente non interviene per proteggere la batteria.

**AVVISO:** l'uso ripetuto della funzione LVC può danneggiare la batteria.

**CONSIGLIO:** controllare la tensione della batteria prima e dopo il volo usando un tester per batterie Li-Po (SPMXBC100, venduto separatamente).

### Oscillazione

Il modello dovrebbe offrire un comportamento in volo dolce e normale nella maggior parte delle manovre, ma è possibile che in certe condizioni di volo si manifestino delle oscillazioni (l'aeromodello oscilla avanti e indietro su di un asse). In caso di oscillazioni, consultare la guida alla risoluzione dei problemi per maggiori informazioni.

### Riparazioni

Grazie al materiale in schiuma EPO di cui è fatto questo aereo, per la riparazione del materiale espanso è possibile usare virtualmente qualsiasi adesivo (colla a caldo, cianoacrilato, colla epossidica, ecc.). Se la riparazione non è possibile, vedere nell'elenco dei ricambi il codice del pezzo da ordinare. Per l'elenco completo di tutti i ricambi e le parti opzionali, consultare l'elenco in fondo a questo manuale.

**AVVISO:** l'uso di acceleranti per colla CA può danneggiare la vernice del modello. NON maneggiare il modello fino a quando l'accelerante non è completamente asciutto.

### Differenze tra le modalità SAFE Select e AS3X

Questa sezione è generalmente accurata, ma non tiene conto della velocità in volo, dello stato di carica della batteria e di molti altri fattori limitanti.

- In modalità SAFE Select, l'aeromodello si porta automaticamente in volo livellato quando lo stick di comando viene portato in posizione neutra. In modalità AS3X, l'aeromodello mantiene l'assetto con cui stava volando quando lo stick di comando viene portato in posizione neutra.
- In modalità SAFE Select, applicando una piccola quantità di input di comando, l'aeromodello si inclina o beccheggia a un angolo moderato e rimane a quell'angolo fino a quando lo stick di comando non viene mosso. In modalità AS3X, applicando una piccola quantità di input di comando, l'aeromodello continua nel movimento di beccheggio o rollio lento fino a quando lo stick di comando non viene mosso.
- In modalità SAFE Select, applicando pieno input di comando, l'aeromodello si inclina o beccheggia fino ai limiti preimpostati, mantenendo questo assetto fino a quando lo stick di comando rimane completamente deflesso. In modalità AS3X, applicando pieno input di comando, l'aeromodello beccheggia o rolla il più velocemente possibile e continua a cambiare rapidamente assetto finché lo stick di comando rimane completamente deflesso.

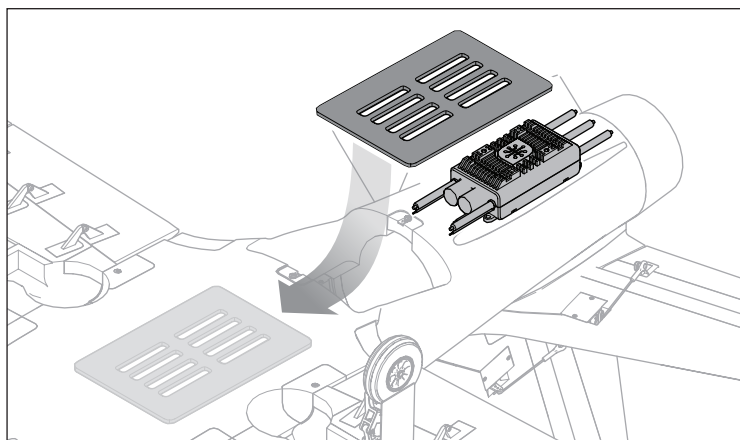
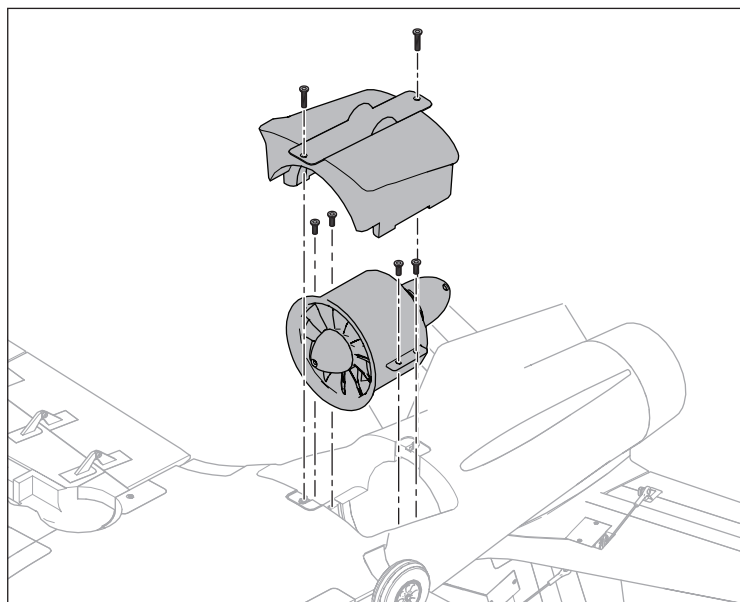
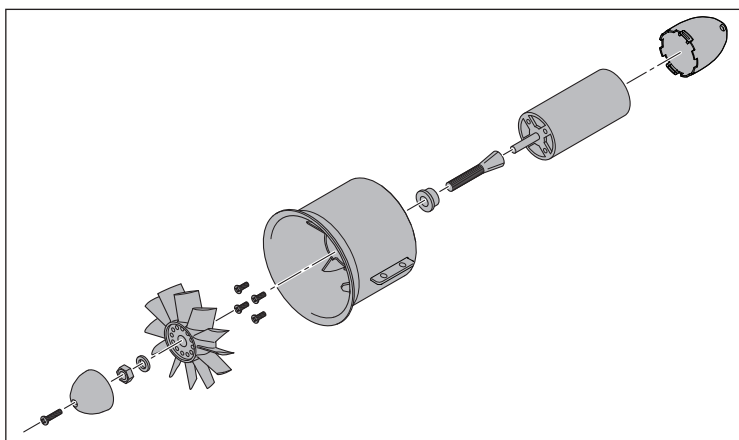


## Installazione e manutenzione del sistema di propulsione

### Installazione del sistema di propulsione (ARF Plus)

I componenti del sistema di propulsione consigliato sono indicati nella tabella delle specifiche all'inizio del manuale.

1. Rimuovere le due viti dal coperchio del gruppo ventola ed estrarre il coperchio dalla fusoliera.
2. Instrarare i cavi della batteria dell'ESC e della manetta attraverso il piccolo foro nella parte anteriore del vano dell'ESC fino al vano della batteria.
3. Far passare i cavi del motore attraverso il passacavo sotto la posizione della carenatura della ventola.
4. Installare l'ESC nella fusoliera.
5. Montare il motore nell'alloggiamento della ventola.
6. Montare l'adattatore del rotore all'albero motore.
7. Montare il rotore sul suo adattatore con il relativo dado, l'ogiva e la vite dell'ogiva. Assicurarsi che il dado del rotore sia serrato saldamente prima di montare l'ogiva.
8. Collegare i fili del motore ai cavi del motore dell'ESC.
9. Montare il gruppo ventola nella fusoliera avvitandolo con quattro viti nelle apposite linguette.
10. Montare il coperchio del gruppo ventola con le due viti rimosse al punto 1.
11. Collegare il cavo del gas al ricevitore dell'aereo.



**⚠ ATTENZIONE:** scollegare sempre la batteria prima di procedere alla manutenzione del motore.

### Smontaggio

1. Rimuovere le due viti dal coperchio del gruppo ventola ed estrarre il coperchio dalla fusoliera.
2. Rimuovere le quattro viti dalle linguette del gruppo ventola.
3. Estrarre il gruppo ventola dalla fusoliera, prendere nota dell'ordine del cablaggio e scollegare i fili del motore dall'ESC.
4. Rimuovere la vite dell'ogiva, l'ogiva, il dado del rotore e la rondella dall'adattatore del rotore.
5. Rimuovere il rotore tirandolo via dall'adattatore.
6. Rimuovere l'adattatore del rotore dall'albero motore.
7. Rimuovere le quattro viti a testa esagonale da 3 mm che trattengono il motore nell'alloggiamento della ventola.

### Montaggio

Montare in ordine inverso.

- Allineare e collegare correttamente i colori dei fili del motore con i fili dell'ESC.
- Installare il rotore come mostrato.
- Serrare il dado sull'adattatore del motore per fissare il rotore in posizione.

### Dopo il volo

1. Scollegare la batteria di bordo dall'ESC (precauzione di sicurezza e per la tutela della durata della batteria).
2. Spegnerne la trasmittente.
3. Rimuovere la batteria di bordo dal modello.
4. Ricaricare la batteria di bordo al livello di tensione di stoccaggio.

5. Riparare o sostituire le parti eventualmente danneggiate.
6. Conservare la batteria di bordo separata dall'aereo e tenerne sotto controllo la carica.
7. Tenere nota delle condizioni del volo e dei risultati per pianificare i voli successivi.

## Guida alla risoluzione dei problemi con l'AS3X

Problema	Possibile causa	Soluzione
Oscillazioni	Ogiva o elica danneggiate	Sostituire l'ogiva o l'elica
	Elica non bilanciata	Bilanciare l'elica
	Motore con vibrazioni	Sostituire le parti interessate o allineare tutte le parti stringendo gli elementi di fissaggio secondo necessità.
	Ricevente allentata	Allineare e fissare la ricevente alla fusoliera
	Controlli dell'aereo allentati	Stringere o fissare in altro modo le varie parti (servi, bracci, rinvii, squadrette e superfici di comando)
	Parti usurate	Sostituire le parti usurate (specialmente elica, ogiva o servi)
	Movimenti irregolari dei servi	Sostituire i servi interessati
Prestazioni di volo incostanti	I trim non sono al centro	Se i trim venissero regolati con più di 8 scatti, bisogna intervenire meccanicamente sulle forcelle e riportare i trim al centro
	I sub-trim non sono centrati	I sub-trim non sono ammessi. Bisogna regolare meccanicamente i rinvii
	L'aereo non è rimasto immobile per 5 secondi dopo aver collegato la batteria	Portare lo stick motore completamente in basso. Scollegare la batteria, poi ricollegarla e mantenere l'aereo fermo per 5 secondi
Dalla verifica della direzione dei controlli dell'AS3X risulta che sono sbagliati	Impostazione della direzione sbagliata sulla ricevente che potrebbe anche causare un incidente	NON volare. Prima correggere l'impostazione della direzione (facendo riferimento al manuale della ricevente) e poi volare

## Guida alla risoluzione dei problemi

Problema	Possibile causa	Soluzione
L'aereo non risponde al comando motore mentre risponde agli altri comandi	Motore non al minimo e/o trim motore troppo alto	Ripristinare i controlli con lo stick motore e il suo trim completamente in basso
	La corsa del servo motore è inferiore al 100%	Accertarsi che la corsa del servo motore sia almeno al 100% o maggiore
	Il canale del motore è invertito	Invertire il canale motore sulla trasmittente
	Motore scollegato dall'ESC	Verificare che il motore sia collegato all'ESC
Eccessivo rumore dell'elica o vibrazioni	Elica, ogiva, adattatore o motore danneggiati	Sostituire le parti danneggiate
	L'elica è sbilanciata	Bilanciare o sostituire l'elica
	Il dado dell'elica è allentato	Stringere il dado dell'elica
Tempo di volo ridotto o aereo sottopotenziato	La batteria di bordo è quasi scarica	Ricaricare completamente la batteria di bordo
	Elica installata al contrario	Installare l'elica con i numeri rivolti in avanti
	Batteria di bordo danneggiata	Sostituire la batteria di bordo seguendo le istruzioni
	La temperatura ambientale potrebbe essere troppo bassa	Accertarsi che la batteria sia calda prima dell'uso
	La capacità della batteria troppo bassa per le condizioni di volo	Sostituire la batteria o usarne una con capacità maggiore
L'aereo non si connette alla trasmittente (durante la connessione)	Trasmittente troppo vicina all'aereo durante la procedura di connessione	Allontanare la trasmittente dall'aereo, scollegare e ricollegare la batteria all'aereo
	Aereo o trasmittente troppo vicini a grossi oggetti metallici, sorgenti wifi o altre trasmittenti	Spostarsi in un'altra posizione e ritentare la connessione
	Il Bind Plug non è collegato correttamente alla sua presa sulla ricevente	Inserire il Bind Plug nella sua presa e connettere l'aereo alla trasmittente
	La batteria di bordo e/o quella della trasmittente sono quasi scariche	Sostituire/ricaricare le batterie
L'aereo non si connette alla trasmittente (dopo la connessione)	Il comando di Bind sulla trasmittente non mantenuto premuto abbastanza a lungo durante la procedura di connessione	Spegnere la trasmittente e ripetere la procedura di connessione mantenendo premuto il comando di Bind finché la ricevente non è connessa
	Trasmittente troppo vicina all'aereo durante la procedura di connessione	Allontanare la trasmittente dall'aereo, scollegare e ricollegare la batteria all'aereo
	Aereo o trasmittente troppo vicini a grossi oggetti metallici, sorgenti wifi o altre trasmittenti	Spostarsi in un'altra posizione e ritentare la connessione
	Bind Plug rimasto inserito nella sua presa sulla ricevente	Rifare la connessione tra aereo e trasmittente togliendo il Bind Plug prima di spegnere e riaccendere
	Aereo connesso con una differente memoria di modello (solo con radio Modelmatch)	Scegliere il modello corretto sulla trasmittente
	La batteria di bordo e/o quella della trasmittente sono quasi scariche	Sostituire/ricaricare le batterie
Le superfici di controllo non si muovono	La trasmittente potrebbe essere connessa ad un aereo diverso con un protocollo DSM differente	Connettere l'aereo alla sua trasmittente
	Superficie di controllo, squadretta, rinvio o servo danneggiati	Riparare o sostituire le parti danneggiate regolando i comandi
	Fili danneggiati o collegamenti allentati	Verificare i cablaggi e i collegamenti, collegare o sostituire secondo necessità
	La trasmittente non è connessa correttamente o è stato scelto l'aereo sbagliato	Rifare la connessione o scegliere l'aereo corretto sulla trasmittente
	Batteria di bordo scarica	Ricaricare la batteria interessata
BEC (circuito che alimenta l'impianto ricevente) dell'ESC danneggiato	Sostituire l'ESC	

## Guida alla risoluzione dei problemi

Problema	Possibile causa	Soluzione
Comandi invertiti	Le impostazioni sulla trasmittente sono invertite	Eseguire una verifica sulla direzione dei comandi e apportare le opportune modifiche
Il motore pulsa perdendo potenza	Si è attivata la funzione LVC dell'ESC	Ricaricare la batteria o sostituirla se non più performante
	La temperatura ambientale potrebbe essere troppo bassa	Rimandare il volo aspettando che la temperatura si alzi
	La batteria è vecchia o danneggiata	Sostituire la batteria
	Il valore di C della batteria potrebbe essere troppo basso	Usare il tipo di batteria consigliato

## Parti di ricambio

Numero parte	Descrizione
EFL17774	Ala SX: Viper 90mm EDF
EFL17776	Ala DX: Viper 90mm EDF
EFL17777	Fusoliera: Viper 90mm EDF
EFL17778	Stabilizzatore verticale: Viper 90mm EDF
EFL17779	Stabilizzatore orizzontale: Viper 90mm EDF
EFL17780	Cockpit/portello: Viper 90mm EDF
EFL17781	Cono anteriore: Viper 90mm EDF
EFL17782	Set winglet: Viper 90mm EDF
EFL17783	Asta di collegamento: Viper 90mm EDF
EFL17784	Squadrette di controllo: Viper 90mm EDF
EFL17785	Kit ruote: Viper 90mm EDF
EFL17786	Set viti: Viper 90mm EDF
EFL17787	Set alette ventrali: Viper 90mm EDF
EFL17788	Decalcomanie: Viper 90mm EDF
EFL17789	Portelli carrello: Viper 90mm EDF
EFL17790	Giunto ala: Viper 90mm EDF

Numero parte	Descrizione
EFL17791	Kit luci: Viper 90mm EDF
EFL17792	Pilota: Viper 90mm EDF
EFLA9012DF	Ventola intubata 90mm EDF
EFLA9012H	Mozzo rotore 12 pale 90mm EDF
EFLA9012R	Rotore 12 pale 90mm EDF
EFLG360	Unità Retract: carr. ant. Viper 90mm EDF
EFLG361	Carr. ant. con ruota: Viper 90mm EDF
EFLG362	Gambe carr. con ruote: Viper 90mm EDF
EFLG363	Perni Retract gambe: Viper 90mm EDF
EFLG364	Unità Retract: carr. princ. 90mm EDF
SPMAR637T	Ricevitore 6 CH SAFE e AS3X con telemetria
SPMSA450	Servo: 13 g digitale ingr. metallo
SPMSA450R	Servo: 13 g digitale ingr. metallo (invertito)
SPMXAE1130A	Smart ESC Avian 130A BL 3-6S IC5
SPMXAM1400	Motore 3670-1950 Kv Brushless Inrunner

## Parti consigliati

Numero parte	Descrizione
DYN1405	Borsa per carica batterie LiPo, grande
ONXT1000	Kit attrezzi base Ultimate Air/Surface
SPMR8105	DX8e 8 CH solo trasmittente

Numero parte	Descrizione
SPMX2020	Caricabatterie Smart S1200 G2 CA, 1x200 W
SPMX50006S30	Batteria 22,2 V 5000mAh 6S Smart LiPo 30C, IC5
SPMXBC100	Tester per batterie LiPo Smart e servomotore XBC100

## Parti opzionali

Numero parte	Descrizione
SPM6708	Custodia rigida per tx Spektrum singola
SPMR10100	NX10 10 CH solo trasmittente
SPMR8200	NX8 8 CH DSMX solo trasmittente
SPMX46S50	Batteria 22,2V 4000 mAh 6S Smart LiPo 50C G2, IC5
SPMX56S100	Batteria 22,2V 5000 mAh 6S Smart LiPo 100C G2, IC5
SPMX76S30	Batteria 22,2 V 7000 mAh 6S Smart LiPo 30C G2, IC5
SPMX40006S30	Batteria 22,2V 4000 mAh 6S Smart LiPo 30C, IC5

Numero parte	Descrizione
SPMX40006S50	Batteria 22,2 V 4000 mAh 6S Smart LiPo 50C, IC5
SPMX50006S100	Batteria 22,2 V 5000 mAh 6S Smart LiPo 100C, IC5
SPMX70006S30	Batteria 22,2V 7000 mAh 6S Smart LiPo 30C, IC5
SPMXC1010	Caricabatterie Smart S2100 AC, 2x100W
SPMXC2010	Caricabatterie Smart S2200 G2 AC, 2x200W
SPMXCA200	Smart ESC Programmer Avian Firma

## Ricevitori consigliati (ARF Plus)

Numero parte	Descrizione
Riceventi con telemetria	
SPMAR6610T	Ricevitore aereo AR6610T 6 canali con telemetria integrata
SPMAR8020T	Ricevitore aereo AR8020T 8 canali con telemetria integrata

Numero parte	Descrizione
Ricevitori con AS3X e telemetria	
SPMAR637T	Ricevitore AR637T DSMX 6 canali AS3X con telemetria
SPMAR8360T	Ricevitore AR8360T DSMX 8 canali AS3X e SAFE con telemetria

## Garanzia

**Periodo di garanzia**—Garanzia esclusiva - Horizon Hobby, LLC (Horizon) garantisce che il prodotto acquistato (il "Prodotto") sarà privo di difetti relativi ai materiali e di eventuali errori di montaggio alla data di acquisto. Il periodo di garanzia è conforme alle disposizioni legali del paese nel quale il prodotto è stato acquistato. Tale periodo di garanzia ammonta a 6 mesi e si estende ad altri 18 mesi dopo tale termine.

**Limiti della garanzia**—(a) La garanzia è limitata all'acquirente originale (Acquirente) e non è cedibile a terzi. L'acquirente ha il diritto a far riparare o a far sostituire la merce durante il periodo di questa garanzia. La garanzia copre solo quei prodotti acquistati presso un rivenditore autorizzato Horizon. Altre transazioni di terze parti non sono coperte da questa garanzia. La prova di acquisto è necessaria per far valere il diritto di garanzia. Inoltre, Horizon si riserva il diritto di cambiare o modificare i termini di questa garanzia senza alcun preavviso e di escludere tutte le altre garanzie già esistenti.

(b) Horizon non si assume alcuna garanzia per la disponibilità del prodotto, per l'adeguatezza o l'idoneità del prodotto a particolari previsti dall'utente. È sola responsabilità dell'acquirente il fatto di verificare se il prodotto è adatto agli scopi da lui previsti.

(c) Richiesta dell'acquirente – spetta soltanto a Horizon, a propria discrezione riparare o sostituire qualsiasi prodotto considerato difettoso e che rientra nei termini di garanzia. Queste sono le uniche rivalse a cui l'acquirente si può appellare, se un prodotto è difettoso.

Horizon si riserva il diritto di controllare qualsiasi componente utilizzato che viene coinvolto nella rivalsa di garanzia. Le decisioni relative alla sostituzione o alla riparazione sono a discrezione di Horizon. Questa garanzia non copre dei danni superficiali o danni per cause di forza maggiore, uso errato del prodotto, un utilizzo che viola qualsiasi legge, regolamentazione o disposizione applicabile, negligenza, uso ai fini commerciali, o una qualsiasi modifica a qualsiasi parte del prodotto.

Questa garanzia non copre danni dovuti ad un'installazione errata, ad un funzionamento errato, ad una manutenzione o un tentativo di riparazione non idonei a cura di soggetti diversi da Horizon. La restituzione del prodotto a cura dell'acquirente, o da un suo rappresentante, deve essere approvata per iscritto dalla Horizon.

**Limiti di danno**—Horizon non si riterrà responsabile per danni speciali, diretti, indiretti o consequenziali; perdita di profitto o di produzione; perdita commerciale connessa al prodotto, indipendentemente dal fatto che la richiesta si basa su un contratto o sulla garanzia. Inoltre la responsabilità di Horizon non supera mai in nessun caso il prezzo di acquisto del prodotto per il quale si chiede la responsabilità. Horizon non ha alcun controllo sul montaggio, sull'utilizzo o sulla manutenzione del prodotto o di combinazioni di vari prodotti. Quindi Horizon non accetta nessuna responsabilità per danni o lesioni derivanti da tali circostanze. Con l'utilizzo e il montaggio del prodotto l'utente acconsente a tutte le condizioni, limitazioni e riserve di garanzia citate in questa sede.

Qualora l'utente non fosse pronto ad assumersi tale responsabilità associata all'uso del prodotto, si suggerisce di restituire il prodotto intatto, mai usato e immediatamente presso il venditore.

**Indicazioni di sicurezza**—Questo è un prodotto sofisticato di hobbistica e non è un giocattolo. Esso deve essere manipolato con cautela, con giudizio e richiede delle conoscenze basilari di meccanica e delle facoltà mentali di base. Se il prodotto non verrà manipolato in maniera sicura e responsabile potrebbero risultare delle lesioni, dei gravi danni a persone, al prodotto o all'ambiente circostante. Questo prodotto non è concepito per essere usato dai bambini senza una diretta supervisione di un adulto. Il manuale del prodotto contiene le istruzioni di sicurezza, di funzionamento e di manutenzione del prodotto stesso. È fondamentale leggere e seguire tutte le istruzioni e le avvertenze nel manuale prima di mettere in funzione il prodotto. Solo così si eviterà un utilizzo errato e si eviteranno incidenti, lesioni o danni.

**Domande, assistenza e riparazioni**—Il vostro negozio locale e/o luogo di acquisto non possono fornire garanzie di assistenza o riparazione senza previo colloquio con Horizon. Questo vale anche per le riparazioni in garanzia. Quindi in tali casi bisogna interpellare un rivenditore, che si metterà in contatto subito con Horizon per prendere una decisione che vi possa aiutare nel più breve tempo possibile.

**Manutenzione e riparazione**—Se il prodotto deve essere ispezionato o riparato, si prega di rivolgersi ad un rivenditore specializzato o direttamente ad Horizon. Il prodotto deve essere imballato con cura. Bisogna far notare che i box originali solitamente non sono adatti per effettuare una spedizione senza subire alcun danno. Bisogna effettuare una spedizione via corriere che fornisce una tracciabilità e un'assicurazione, in quanto Horizon non si assume alcuna responsabilità in relazione alla spedizione del prodotto. Inserire il prodotto in una busta assieme ad una descrizione dettagliata degli errori e ad una lista di tutti i singoli componenti spediti. Inoltre abbiamo bisogno di un indirizzo completo, di un numero di telefono per chiedere ulteriori domande e di un indirizzo e-mail.

**Garanzia e riparazione**—Le richieste in garanzia verranno elaborate solo se è presente una prova d'acquisto in originale proveniente da un rivenditore specializzato autorizzato, nella quale è ben visibile la data di acquisto. Se la garanzia viene confermata, allora il prodotto verrà riparato o sostituito. Questa decisione spetta esclusivamente a Horizon Hobby.

**Riparazioni a pagamento**—Se bisogna effettuare una riparazione a pagamento, effettueremo un preventivo che verrà inoltrato al vostro rivenditore. La riparazione verrà effettuata dopo l'autorizzazione da parte del vostro rivenditore. La somma per la riparazione dovrà essere pagata al vostro rivenditore. Le riparazioni a pagamento avranno un costo minimo di 30 minuti di lavoro e in fattura includeranno le spese di restituzione. Qualsiasi riparazione non pagata e non richiesta entro 90 giorni verrà considerata abbandonata e verrà gestita di conseguenza.

**ATTENZIONE:** Le riparazioni a pagamento sono disponibili solo sull'elettronica e sui motori. Le riparazioni a livello meccanico, soprattutto per gli elicotteri e le vetture RC, sono molto costose e devono essere effettuate autonomamente dall'acquirente.

10/15

## Garanzia e Assistenza - Informazioni per i contatti

Stato di acquisto	Horizon Hobby	Telefono/Indirizzo e-mail	Indirizzo
Unione Europea	Horizon Technischer Service Sales: Horizon Hobby GmbH	service@horizonhobby.de +49 (0) 4121 2655 100	Hanskampring 9 D 22885 Barsbüttel, Germany

## Dichiarazione di conformità per l'Unione europea



### Dichiarazione di conformità UE:

**EFL Smart Viper ARF (EFL17770):** Con la presente, Horizon Hobby, LLC dichiara che il dispositivo è conforme a quanto segue: Direttiva europea sulle apparecchiature radio (RED) 2014/53/UE, Direttiva RoHS 2 2011/65 / UE, Direttiva RoHS 3 - Modifica 2011/65 / UE allegato II 2015/863.

**EFL Smart Viper EDF (EFL17750):** Con la presente, Horizon Hobby, LLC dichiara che il dispositivo è conforme a quanto segue: Direttiva europea sulla compatibilità elettromagnetica (EMC) 2014/30/UE, Direttiva RoHS 2 2011/65 / UE, Direttiva RoHS 3 - Modifica 2011/65 / UE allegato II 2015/863.

Il testo completo della dichiarazione di conformità UE è disponibile al seguente indirizzo internet: <https://www.horizonhobby.com/content/support-rendercompliance>.

### Range di frequenze wireless e potenza di uscita wireless:

2402 – 2478 MHz  
19.95dBm

### AVVISO RAEE:



Questo dispositivo è marcato ai sensi della Direttiva europea 2012/19/UE riguardante i rifiuti di apparecchiature elettriche ed elettroniche (RAEE). Il simbolo indica che il prodotto non va smaltito insieme ai rifiuti domestici. Il prodotto deve essere consegnato agli appositi centri di raccolta per consentirne il recupero e il riciclaggio.

### Fabbricante registrato UE:

Horizon Hobby, LLC  
2904 Research Road  
Champaign, IL 61822 USA

### Importatore registrato UE:

Horizon Hobby, GmbH  
Hanskampring 9  
22885 Barsbüttel Germany









© 2021 Horizon Hobby, LLC.

E-flite, AS3X, DSM, DSM2, DSMX, EC5, IC5, Avian, Spektrum Airware, Bind-N-Fly, BNF, the Bind-N-Fly logo, SAFE, the SAFE logo, ModelMatch, and the Horizon Hobby logo are trademarks or registered trademarks of Horizon Hobby, LLC. The Spektrum trademark is used with permission of Bachmann Industries, Inc.

All other trademarks, service marks and logos are property of their respective owners.

8,672,726, 9,056,667, 9,930,567, 9,753,457, 10,078,329, 10,419,970. US 10,849,013. Other patents pending.

[www.horizonhobby.com](http://www.horizonhobby.com)

EFL17750 / EFL17770