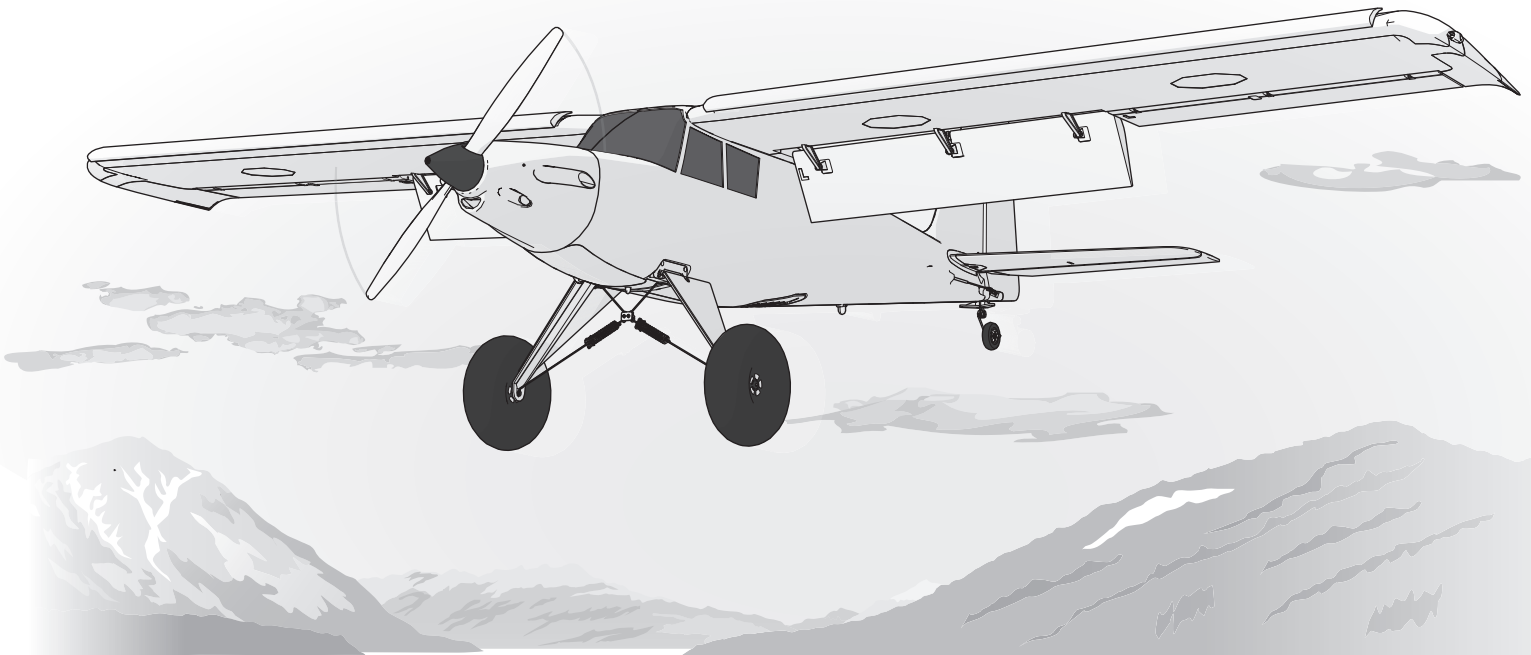


HORIZON[®]
H O B B Y

E-flite[®]
ADVANCING ELECTRIC FLIGHT

Turbo Timber[®] 1.5m



Instruction Manual
Bedienungsanleitung
Manuel d'utilisation
Manuale di Istruzioni

SAFE[®] 

SAFE[®] Select Technology, Optional Flight Envelope Protection

Bind-N-Fly[®] Plug-N-Play[®]
BASIC

NOTICE

All instructions, warranties and other collateral documents are subject to change at the sole discretion of Horizon Hobby, LLC. For up-to-date product literature, visit www.horizonhobby.com or www.towerhobbies.com and click on the support or resources tab for this product.

Meaning of Special Language:

The following terms are used throughout the product literature to indicate various levels of potential harm when operating this product:

WARNING: Procedures, which if not properly followed, create the probability of property damage, collateral damage, and serious injury OR create a high probability of superficial injury.

CAUTION: Procedures, which if not properly followed, create the probability of physical property damage AND a possibility of serious injury.

NOTICE: Procedures, which if not properly followed, create a possibility of physical property damage AND little or no possibility of injury.



WARNING: Read the ENTIRE instruction manual to become familiar with the features of the product before operating. Failure to operate the product correctly can result in damage to the product, personal property and cause serious injury.

This is a sophisticated hobby product. It must be operated with caution and common sense and requires some basic mechanical ability. Failure to operate this Product in a safe and responsible manner could result in injury or damage to the product or other property. This product is not intended for use by children without direct adult supervision. Do not use with incompatible components or alter this product in any way outside of the instructions provided by Horizon Hobby, LLC. This manual contains instructions for safety, operation and maintenance. It is essential to read and follow all the instructions and warnings in the manual, prior to assembly, setup or use, in order to operate correctly and avoid damage or serious injury.

14+

AGE RECOMMENDATION:
Not for children under 14 years. This is not a toy.



WARNING AGAINST COUNTERFEIT PRODUCTS: If you ever need to replace your Spektrum receiver found in a Horizon Hobby product, always purchase from Horizon Hobby, LLC or a Horizon Hobby authorized dealer to ensure authentic high-quality Spektrum product. Horizon Hobby, LLC disclaims all support and warranty with regards, but not limited to, compatibility and performance of counterfeit products or products claiming compatibility with DSM or Spektrum technology.

Safety Precautions and Warnings








As the user of this product, you are solely responsible for operating in a manner that does not endanger yourself and others or result in damage to the product or the property of others.

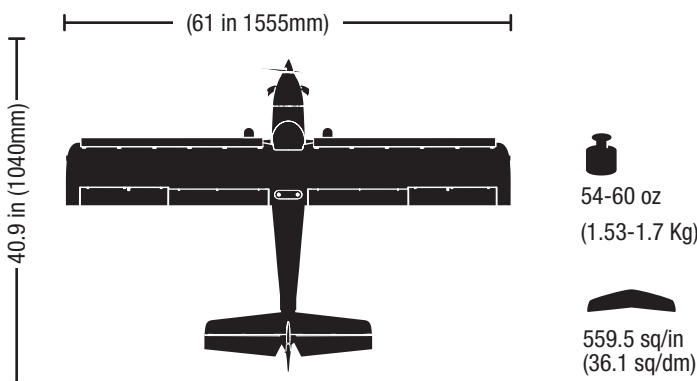
- Always keep a safe distance in all directions around your model to avoid collisions or injury. This model is controlled by a radio signal subject to interference from many sources outside your control. Interference can cause momentary loss of control.
- Always operate your model in open spaces away from full-size vehicles, traffic and people.
- Always carefully follow the directions and warnings for this and any optional support equipment (chargers, rechargeable battery packs, etc.).
- Always keep all chemicals, small parts and anything electrical out of the reach of children.
- Always avoid water exposure to all equipment not specifically designed and protected for this purpose. Moisture causes damage to electronics.
- Never place any portion of the model in your mouth as it could cause serious injury or even death.
- Never operate your model with low transmitter batteries.
- Always keep aircraft in sight and under control.
- Always use fully charged batteries.
- Always keep transmitter powered on while aircraft is powered.
- Always remove batteries before disassembly.
- Always keep moving parts clean.
- Always keep parts dry.
- Always let parts cool after use before touching.
- Always remove batteries after use.
- Always ensure failsafe is properly set before flying.
- Never operate aircraft with damaged wiring.
- Never touch moving parts.

Quick Start Information

Transmitter Setup	Set up your transmitter using the transmitter setup chart		
Dual Rates	Hi Rate	Low Rate	
	Ail	▲33mm ▼33mm	▲25mm ▼25mm
	Ele	22mm	16mm
	Rud	30mm	20mm
Flaps	Full ▼=35mm	Half ▼=20mm	
Center of Gravity (CG)	60mm +/-5mm back from leading edge of wing (without slats) at the fuselage.		
Flight Timer Setting	4 minutes		

Specifications

		BNF BASIC	PNP PLUG-N-PLAY
	Motor: 10BL Brushless outrunner 800Kv (EFLM17552)	Installed	Installed
	ESC: 50 AMP Brushless ESC (EFLA1050)	Installed	Installed
	Servo: 9 gram metal geared servo (6 x SPMSA370)	Installed	Installed
	Receiver: Spektrum™ AR636A 6-Channel Sport Receiver (SMPAR636)	Installed	Required to Complete
	Recommended Battery: 11.1V-14.8V 3S-4S 2200mAh 30C Li-Po (EFLB22003S30 or EFLB22004S30*)	Required to Complete	Required to Complete
	Recommended Battery Charger: 3 or 4-cell Li-Po battery balancing charger	Required to Complete	Required to Complete
	Recommended Transmitter: Full-Range 6 channel 2.4GHz with Spektrum DSMX® technology with adjustable Dual Rates.	Required to Complete	Required to Complete



Box Contents

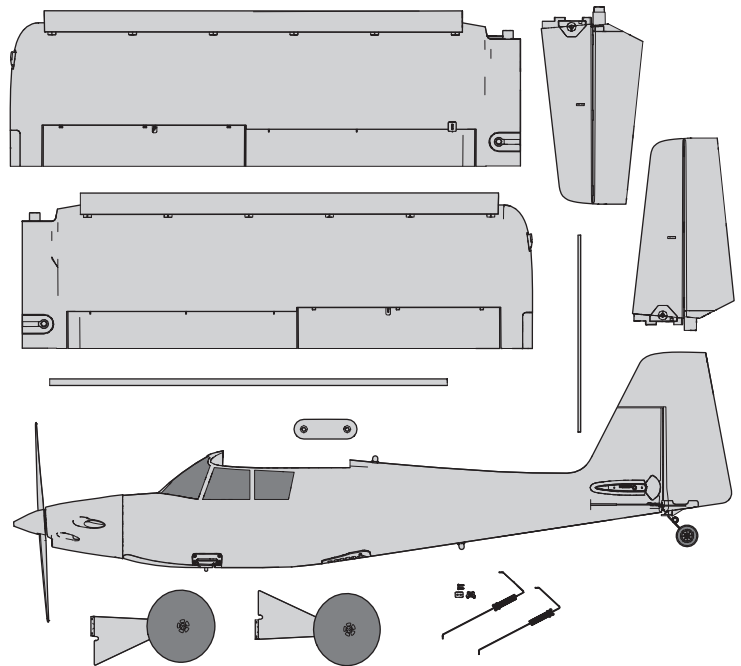


Table of Contents

SAFE® Select Technology (BNF Basic)	4
Preflight.....	4
Transmitter Setup (BNF Basic).....	4
Model Assembly	5
Binding / Switching ON and OFF SAFE Select (BNF Basic)	8
Battery Installation and ESC Arming	9
Control Horn and Servo Arm Settings	10
Center of Gravity (CG)	11
AS3X Control Direction Test (BNF Basic).....	11
In Flight Trimming (BNF Basic)	11
Flying Tips and Repairs.....	12
SAFE Select Flying	12
PNP Receiver Selection and Installation	13
Post Flight.....	13
Motor Service	13
Troubleshooting Guide AS3X	13
Troubleshooting Guide	14
Float Installation (Optional).....	15
Flying Off Water	15
AMA National Model Aircraft Safety Code	16
Limited Warranty	17
Contact Information	18
FCC Information.....	18
IC Information	18
Compliance Information for the European Union.....	18
Recommended Receivers	66
Replacement Parts.....	67
Optional Parts	68

RECEIVER BIND INFORMATION

Channels	6
Frequency	2405 – 2476 MHz
Compatibility	DSM2 and DSMX

To receive product updates, special offers and more, register your product at <https://www.horizonhobby.com/content/e-flite-rc>

As of this printing, you may be required to register with the FAA if you own this product.

For up-to-date information on how to register with the FAA, please visit <https://registermyuas.faa.gov/>. For additional assistance on regulations and guidance on UAS usage, visit knowbeforeyoufly.org/.

SAFE® Select Technology (BNF Basic)

The BNF Basic version of this airplane includes SAFE Select technology which can offer an extra level of protection in flight. Use the following instructions to make the SAFE Select system active and assign it to a switch. When enabled, SAFE Select prevents the airplane from banking or pitching past predetermined limits, and automatic self-leveling keeps the airplane flying in a straight and level attitude when the aileron, elevator and rudder sticks are at neutral.

SAFE Select is enabled or disabled during the bind process. When the airplane is bound with SAFE Select enabled, a switch can be assigned to toggle between SAFE Select mode and AS3X mode. AS3X® technology remains active with no banking limits or self leveling any time SAFE Select is disabled or OFF.

SAFE Select can be configured three ways;

- SAFE Select Off: Always in AS3X mode
- SAFE Select On- no switch assigned: Always in SAFE Select mode
- SAFE Select On with a switch assigned: Switch toggles between SAFE Select mode and AS3X mode

Preflight

1. Remove and inspect contents.	9. Make sure linkages move freely.
2. Read this instruction manual thoroughly.	10. Test the flap operation.
3. Charge the flight battery.	11. Perform the Control Direction Test with the transmitter.
4. Setup Transmitter using transmitter setup chart.	12. Perform the AS3X Control Direction Test with the aircraft.
5. Fully assemble the airplane.	13. Adjust flight controls and transmitter.
6. Install the flight battery in the aircraft (once it has been fully charged).	14. Perform a radio system Range Test.
7. Check the Center of Gravity (CG).	15. Find a safe open area to fly.
8. Bind the aircraft to your transmitter.	16. Plan flight for flying field conditions.

Transmitter Setup (BNF Basic)

IMPORTANT: After you set up your model, always rebind the transmitter and receiver to set the desired failsafe positions.

Dual Rates

Take first flights in Low Rate. For landings, use high rate elevator.

NOTICE: To ensure AS3X technology functions properly, do not lower rate values below 50%. If lower rates are desired, manually adjust the position of the pushrods on the servo arm.

NOTICE: If oscillation occurs at high speed, refer to the Troubleshooting Guide for more information.

Expo

After first flights, you may adjust expo in your transmitter.

Computerized Transmitter Setup

Start all transmitter programming with a blank ACRO model (perform a model reset), then name the model.	
Set Dual Rates to	HIGH 100% LOW 70%
Set Servo Travel to	100%
Set Throttle Cut to	-130%
DXe	Refer to spektrumrc.com for the appropriate download setup.
DX6i	1. Go to the SETUP LIST MENU
	2. Set MODEL TYPE: ACRO
	3. Go to ADJUST LIST MENU
	4. Set FLAPS: Norm ↓ 100 Flap Elev 0 LAND ↑ -100 Flap Elev 30
DX7S DX8	1. Go to the SYSTEM SETUP
	2. Set MODEL TYPE: AIRPLANE
	3. Set WING TYPE: 1 AIL 1 FLAP
	4. Go to the FUNCTION LIST
	5. Set FLAP SYSTEM: Choose Flap NORM: 100% FLAP MID: 0% FLAP 16% Elevator LAND: -100% FLAP 30% Elevator SPEED 2.0S: SWITCH = FLAP
DX6e	1. Go to the SYSTEM SETUP (Model Utilities) [†]
DX6 (Gen2)	2. Set MODEL TYPE: AIRPLANE
DX7 (Gen2)	3. Set AIRCRAFT TYPE (Model Setup, Aircraft Type) [†] : WING: 1 AIL 1 FLAP
DX8e	4. Go to the FUNCTION LIST (Model Adjust) [†]
DX8 (Gen2)	5. Set FLAP SYSTEM: SELECT SWITCH D: POS 0: 100% FLAP* POS 1: 0% FLAP* 16% Elevator POS 2: -100% FLAP* 30% Elevator SPEED 2.0
DX9	
DX10t	
DX18	
DX20	
iX12	

[†] Some of the terminology and function locations used in the iX12 programming may be slightly different than other Spektrum AirWare™ radios. The names given in parenthesis correspond to the iX12 programming terminology. Consult your transmitter manual for specific information about programming your transmitter.

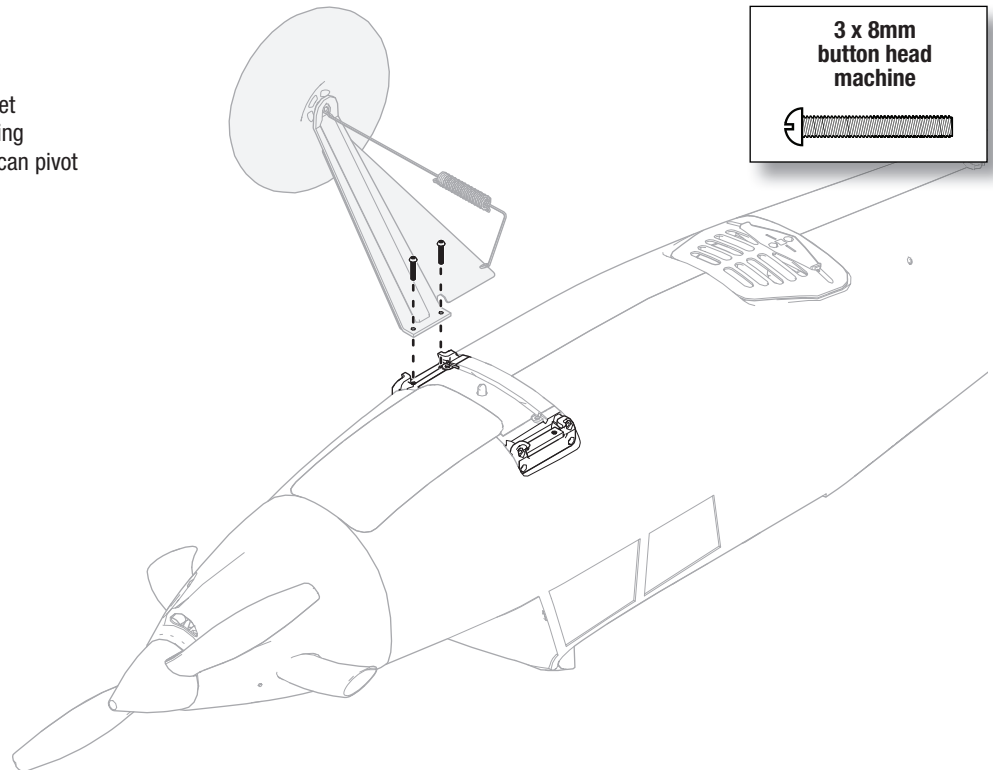
* Flap programming values may vary slightly. For your initial flights use the recommended flap travel settings provided in the Flaps section and adjust the flap travel to your preference on subsequent flights.

Model Assembly

Landing Gear Installation

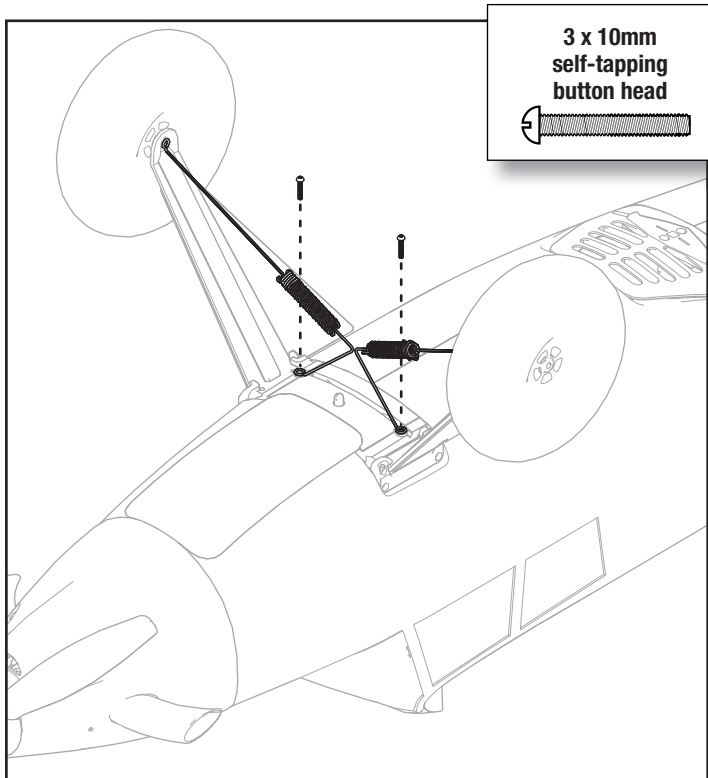
Mount the Landing Gear to the Fuselage

1. Insert one landing gear assembly into the pocket on the side of the fuselage as shown. The landing gear legs mount to the aluminum block which can pivot in the pocket.
2. Thread the included 3 x 8mm machine screws through the landing gear leg into the threaded holes in the aluminum pivot block.
3. Repeat the process to install the second landing gear assembly.



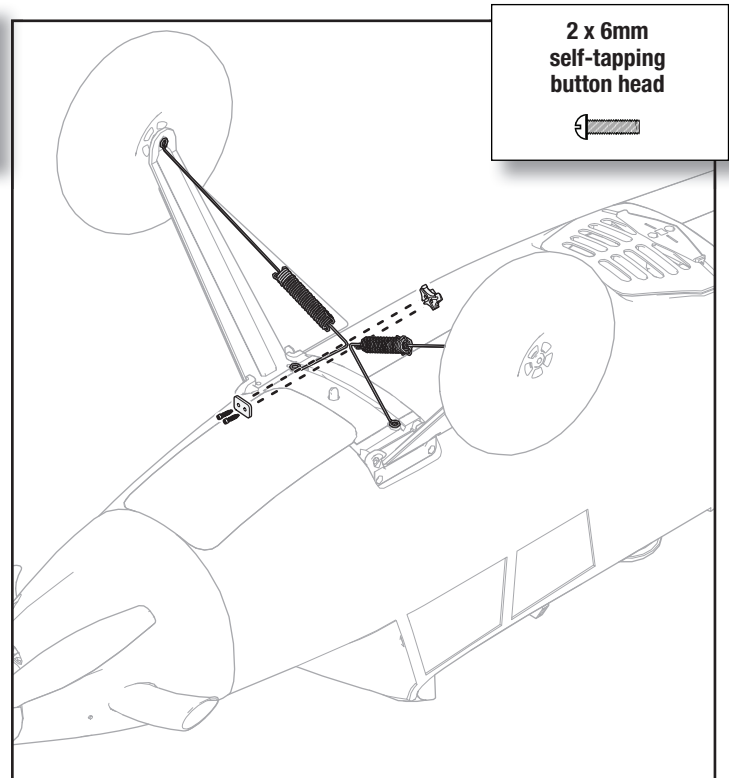
Mount the Spring Assemblies to the Fuselage

1. Align the spring assemblies with the mounting holes in the fuselage. These assemblies mount to the plastic bracket pre-installed in the fuselage between the landing gear.
2. Install the two 3 x 10mm self tapping screws to anchor the spring assemblies in place.



Clamp the Spring Assemblies Together

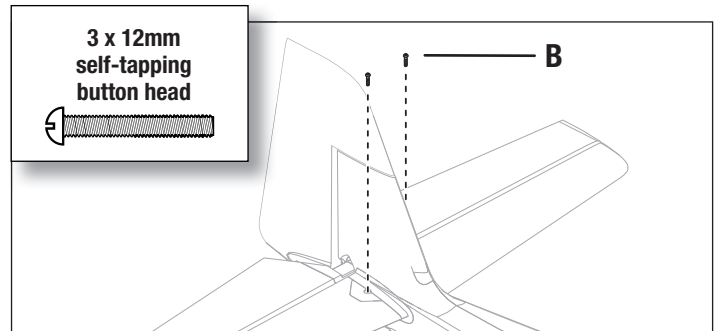
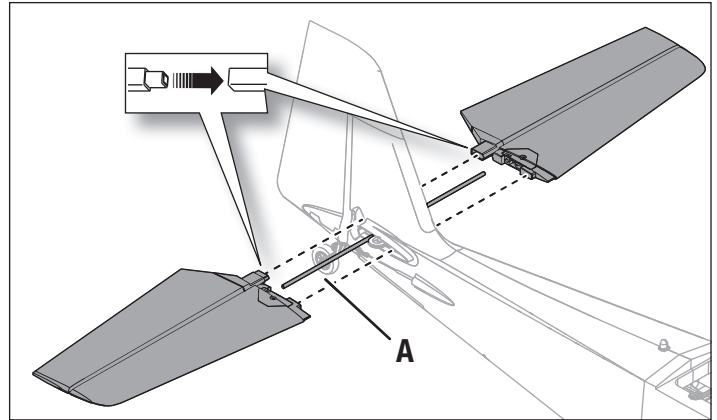
1. Align the spring assemblies with the joiner bracket
2. Clamp the assembly together with the two 2 x 6mm self tapping screws.



Model Assembly *Continued*

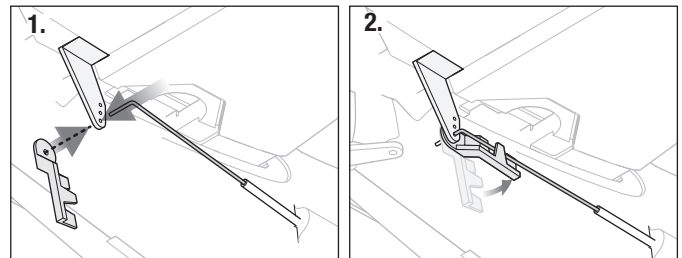
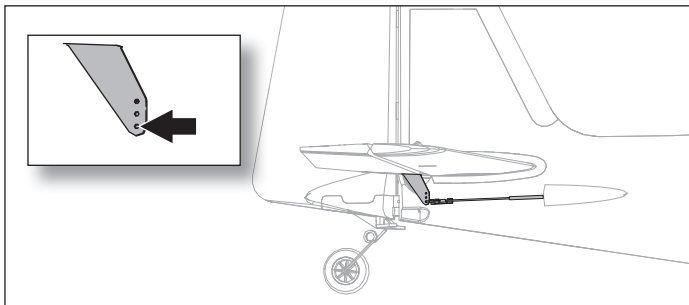
Horizontal Tail Installation

1. Slide the horizontal stabilizer joiner (A) into the hole in the rear of the fuselage.
2. Install the two piece (left and right) horizontal stabilizer as shown. Ensure the control horn faces down.
3. Secure the horizontal stabilizer pieces in place using the two included 3 x 12 mm self tapping screws (B).
4. Attach the pushrod keeper to the elevator control horn.



Pushrod keeper Installation

1. Insert the end of the pushrod with the 90° bend into the control horn and insert the pushrod into the hole in the pushrod keeper.
2. Rotate the pushrod keeper and press into place on the pushrod until it clicks into position.

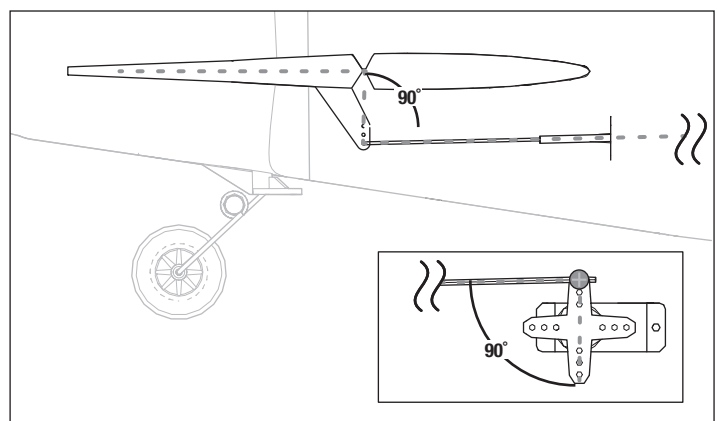


Control Surface Centering

After assembly, transmitter setup and binding, confirm that the control surfaces are centered. If the control surfaces are not centered, mechanically center the control surfaces before flying.

Set the trims and sub-trims to 0

1. If they are not centered, loosen the screw in the quick connector linkage on the servo horn.
2. Slide the pushrod in the quick connector to change the length of the linkage between the servo arm and the control horn so the control surface is centered.
3. Apply thread lock compound to the screw threads and tighten the screw to secure the pushrod at the desired length.



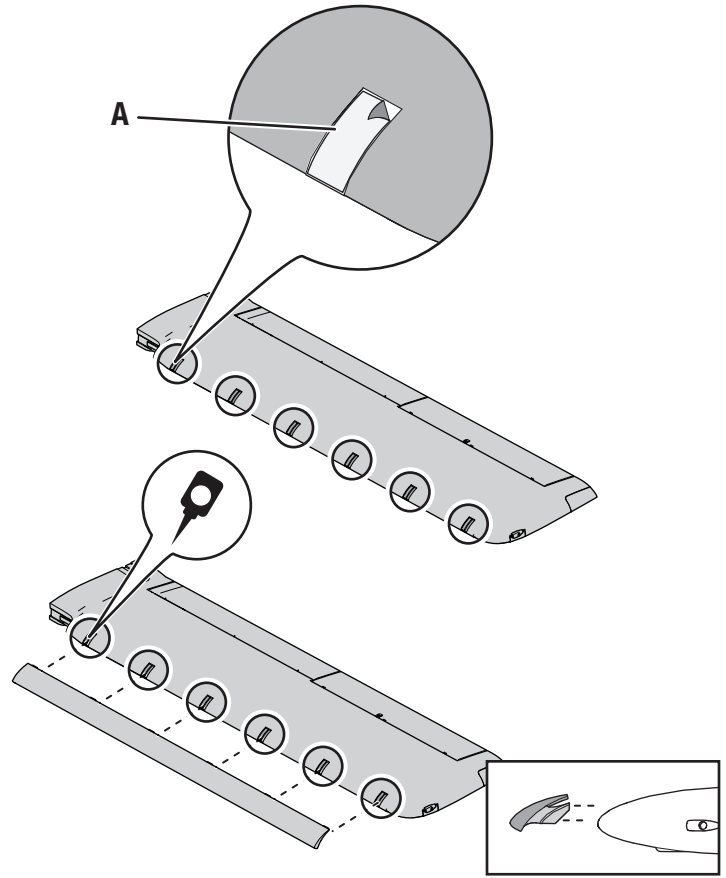
Model Assembly *Continued*

Wing Assembly



Slat Installation (Optional)

1. Carefully remove all the foam slat pocket covers (A) from the wing.
2. When the pocket is exposed, carefully apply medium CA to each slat pocket.
3. Mount the slat onto the wing with the rounded edge facing forward. Ensure that the left and right slats are on the correct wing half. The slat and wing halves are labeled with "L" and "R" indicators.

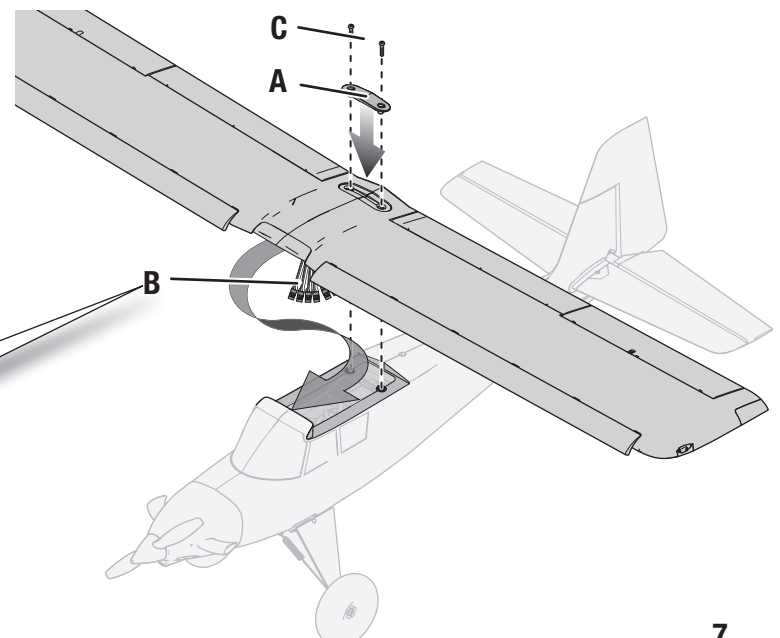
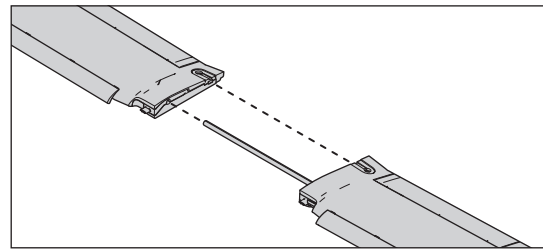


Wing Assembly

1. Insert the wing joiner tube and slide the left and right wing halves together, as shown.
2. Secure the wing together using the wing bracket (A).
3. Guide the Flaps, Lights and Aileron servo connectors (B) into the top of the fuselage as shown.

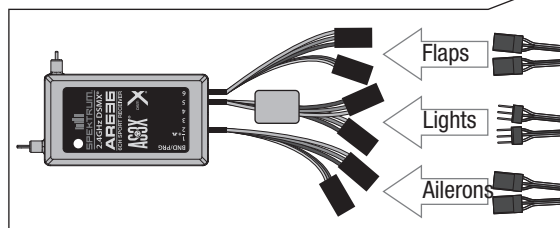
Tip: If needed, use hemostats or pliers to pull the servo connectors into the fuselage.

4. Connect the Flaps, and Aileron connectors to respective Y-harnesses connected to the receiver. The left and right servos can be connected to either side of a Y-harness.
 5. Connect the two light connectors (with exposed pins) to the light harness.
- IMPORTANT:** The ailerons must be connected to the receiver's aileron port (channel 2) with a Y-harness (included) for the AS3X® system to function properly.
6. Align the wing with the fuselage and secure into position using the included 2 nylon wing bolts (C).



CAUTION: DO NOT crush or otherwise damage the wiring when attaching the wing to the fuselage.

Disassemble in reverse order.



Battery Installation and ESC Arming

Battery Selection

The E-flite® 2200mAh 14.4V 4S 30C Li-Po battery (EFLM22004s30) is recommended. The EFL22003S30 battery may also be used. Refer to the Optional Parts List for other recommended batteries. If using a battery other than those listed, the battery should be within the range of capacity, dimensions and weight of the E-flite Li-Po battery packs to fit in the fuselage. Be sure the model balances at the recommended CG before flying.

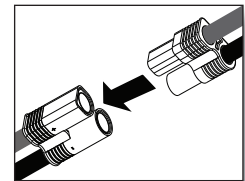
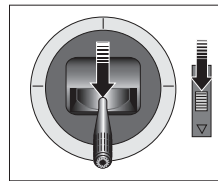
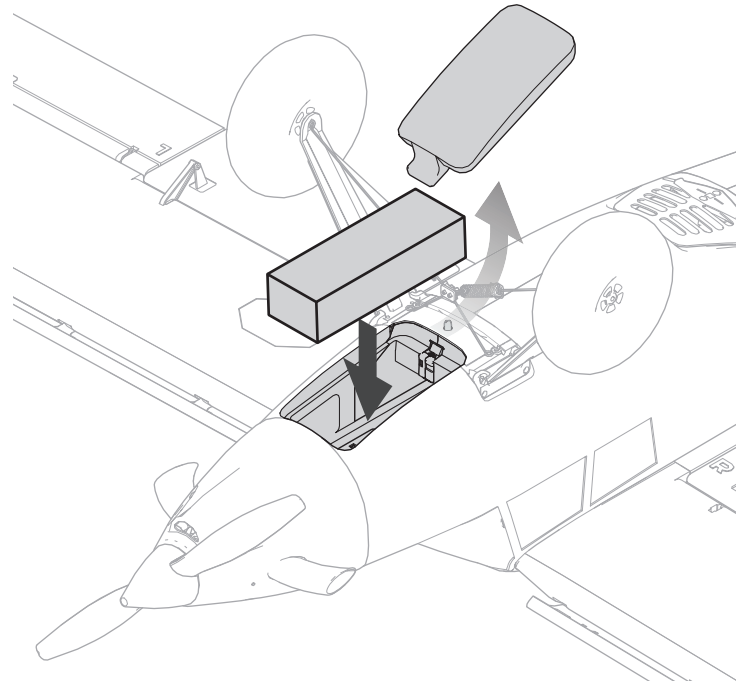
1. Lower the throttle and throttle trim to the lowest settings. Power on the transmitter, then wait 5 seconds.
2. For added security, apply the loop side (soft side) of the optional hook and loop tape to the bottom of your battery, and the hook side to the battery tray.
3. Press the latch button and remove the battery hatch.
4. Install the fully charged battery in the center of the battery compartment as shown. Secure using the hook and loop straps.
5. Connect the battery to the ESC (the ESC is now armed).

CAUTION: Always keep hands away from the propeller. When armed, the motor will turn the propeller in response to any throttle movement.

6. Keep the aircraft immobile and away from wind or the system will not initialize.
 - The ESC will sound a series of tones. Three flat tones followed immediately by two ascending tones. The tones indicate the ESC is armed, provided the throttle stick and throttle trim are low enough to trigger arming.
 - An LED will light on the receiver when it is initialized

If the ESC sounds a continuous double beep after the flight battery is connected, recharge or replace the battery.

7. Reinstall the battery hatch.



SAFE® Select Switch Designation

SAFE® Select technology can be assigned to any open switch (2 or 3 position) controlling a channel (5–9) on your transmitter. Once assigned to a switch, SAFE select ON gives you the flexibility to choose SAFE technology or AS3X mode while in flight. If the aircraft is bound with SAFE select OFF, the aircraft will be in AS3X mode exclusively.

IMPORTANT: Before assigning your desired switch, ensure that the travel for that channel is set at 100% in both directions and the aileron, elevator, rudder and throttle are all on high rate with the travel at 100%.

CAUTION: Keep all body parts well clear of the propeller and keep the aircraft securely restrained in case of accidental throttle activation.

TIP: SAFE Select is assignable on any unused channels 5–9. See your transmitter manual for more information about assigning a switch to a channel.

TIP: Use your radio channel monitor to confirm that the four primary channels are showing 100% travel while assigning the switch.

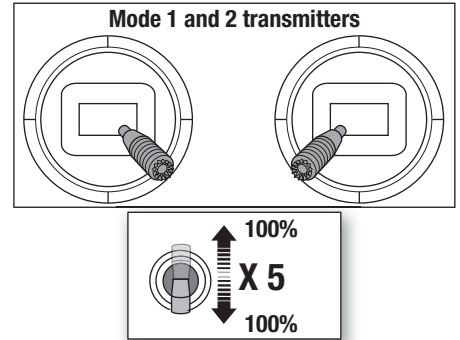
TIP: Use the channel monitor to make sure the switch you are assigning for SAFE Select is active and driving a channel between 5-9 and that it is traveling 100% in each direction.

TIP: Make sure your four primary channels are not reversed if you are having trouble assigning a SAFE Select switch.

Assigning a switch

1. Bind the aircraft to choose SAFE Select ON. This will allow the system to be assigned to a switch.
2. Hold both transmitter sticks to the inside bottom corners and toggle the desired switch 5 times (1 toggle = full up and down) to assign that switch. The control surfaces of the aircraft will move, indicating the switch has been selected.

Repeat the process to assign a different switch or to deactivate the current switch if desired.



Control Horn and Servo Arm Settings

The table to the right shows the factory settings for the control horns and servo arms. Fly the aircraft at factory settings before making changes.

NOTICE: If control throws are changed from the factory settings, the AR636 gain values may need to be adjusted. Refer to the Spektrum AR636 manual for adjustment of gain values.

After flying, you may choose to adjust the linkage positions for the desired control response. See the table to the right.

Tuning	Horns	Arms
More control throw		
Less control throw		

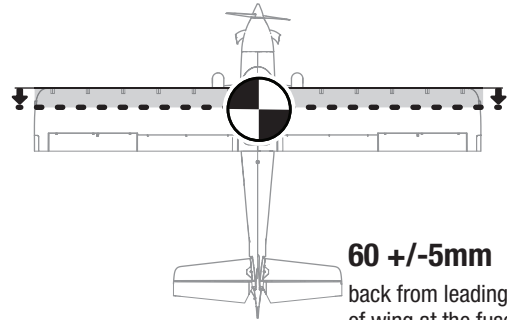
Factory Setting	Horns	Arms
Elevator		
Rudder		
Aileron		
Flaps		

Center of Gravity (CG)

The CG location is measured from the leading edge of the wing at the root.
(without slats installed)

- 60mm +/-5mm back from the leading edge

NOTICE: Install the battery but do not arm the ESC while checking the CG. Personal injury may result.



60 +/-5mm
back from leading edge of wing at the fuselage.

AS3X Control Direction Test (BNF Basic)

This test ensures that the AS3X® control system is functioning properly. Assemble the aircraft and bind your transmitter to the receiver before performing this test.

1. Raise the throttle just above 25%, then lower the throttle to activate AS3X technology.

CAUTION: Keep all body parts, hair and loose clothing away from a moving propeller, as these items could become entangled.

2. Move the entire aircraft as shown and ensure the control surfaces move in the direction indicated in the graphic. If the control surfaces do not respond as shown, do not fly the aircraft. Refer to the receiver manual for more information.

Once the AS3X system is active, control surfaces may move rapidly. This is normal. AS3X remains active until the battery is disconnected.

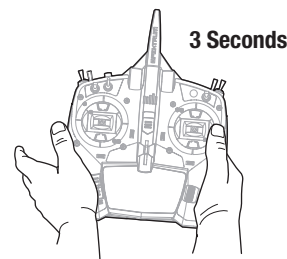
	Aircraft movement	AS3X Reaction
Elevator		
Aileron		
Rudder		

In Flight Trimming (BNF Basic)

During your first flight, trim the aircraft for level flight at 1/2 throttle with flaps up. Make small trim adjustments with your transmitter's trim switches to straighten the aircraft's flight path.

After adjusting the trim, do not touch the control sticks for 3 seconds. This allows the receiver to learn the correct settings to optimize AS3X performance.

Failure to do so could affect flight performance.



Flying Tips and Repairs

Consult local laws and ordinances before choosing a flying location.

Getting Started

Before you fly, range check the radio system. Refer to your specific transmitter instruction manual for range test information. When you first connect the battery to the airplane AS3X will not be active. After advancing the throttle the first time, the AS3X system will be active and it is normal to see the control surfaces react to aircraft movement. For your first flights set your transmitter timer or a stopwatch to 3.5 minutes. Adjust your timer for longer or shorter flights once you have flown the model.

Takeoff

Face the aircraft into the wind for takeoff. Set your transmitter to low rates and drop the flaps to takeoff position (half position). Flaps are not required, but lowering them makes takeoffs shorter.

Gradually increase the throttle to full, and steer on the ground with rudder as necessary to keep the aircraft rolling straight. Leave the elevator at neutral and allow the aircraft to accelerate up to speed on the ground, then pull up gently on the elevator to rotate for takeoff. When airborne, climb to a comfortable altitude, and then return the flaps to the level position.

Flying

For your first flights climb to a moderate altitude and get comfortable with the aircraft while the battery is fresh. Get a feel for the aircraft's low speed performance with the flaps up and down at a safe altitude (approximately 100 feet or more) before being required to make your first landing attempt. Land the aircraft when the timer expires. If at any time the motor power reduces, land the aircraft immediately to recharge the flight battery. See the Low Voltage Cutoff (LVC) section for more details on maximizing battery health and run time.

Landing

Plan to land the aircraft into the wind when possible. Fly downwind and turn into the wind to begin the approach. Lower the throttle and lower the flaps to the landing position (full down position.) Flaps will make the landing approach steeper and slower, and allow for a smoother landing. If there is a significant crosswind, only lower the flaps to the takeoff position (middle position) which will help maintain speed and better directional control during approach.

During the approach and descent, keep the wings level and the aircraft pointed into the wind. The angle of attack (the angle between the aircraft's pitch attitude and the horizon) should remain consistent and slightly nose high during the decent. With the angle of attack maintained during the descent, the speed and descent rate is mostly controlled with small throttle changes. Stay into the throttle to maintain speed and control during decent until the aircraft is ready to flare. As the airplane descends into ground effect, fully lower the throttle, pull the nose up more to bleed off airspeed (flare), and the aircraft will settle on its wheels.

If landing on grass, it is best to hold full up elevator after touchdown and when taxiing to prevent a nose over. Once on the ground, avoid sharp turns until the plane has slowed enough to prevent scraping the wingtips.

SAFE Select Flying Tips

When flying in SAFE Select mode the aircraft will return to level flight any time the aileron and elevator controls are at neutral. Applying aileron or elevator control will cause the airplane to bank, climb or dive, and the amount the stick is moved will determine the attitude the airplane flies. Holding full control will push the aircraft to the pre-determined bank and roll limits but it will not go past those angles.

When flying with SAFE Select it is normal to hold the control stick deflected with moderate aileron input when flying through a turn. To fly smoothly with SAFE Select avoid making frequent control changes and don't attempt to correct for minor deviations. With SAFE Select, holding deliberate control inputs will command the aircraft to fly at a specific angle and the model will make all corrections to maintain that flight attitude.

Return the elevator and aileron controls to neutral before switching from SAFE Select mode to AS3X mode. If you do not neutralize controls when switching into AS3X mode, the control inputs used for SAFE Select mode will be excessive for AS3X mode and the aircraft will react immediately.

NOTICE: If a crash is imminent, reduce the throttle and trim fully. Failure to do so could result in extra damage to the airframe, as well as damage to the ESC and motor.

NOTICE: After any impact, always ensure the receiver is secure in the fuselage. If you replace the receiver, install the new receiver in the same orientation as the original receiver or damage may result.

NOTICE: Crash damage is not covered under warranty.

NOTICE: When you are finished flying, never leave the aircraft in direct sunlight or in a hot, enclosed area such as a car. Doing so can damage the aircraft.

Low Voltage Cutoff (LVC)

When a Li-Po battery is discharged below 3V per cell, it will not hold a charge. The ESC protects the flight battery from over-discharge using Low Voltage Cutoff (LVC). Before the battery charge decreases too much, LVC removes power supplied to the motor. Power to the motor reduces, showing that some battery power is reserved for flight control and safe landing.

Disconnect and remove the Li-Po battery from the aircraft after use to prevent trickle discharge. Charge your Li-Po battery to about half capacity before storage. During storage, make sure the battery charge does not fall below 3V per cell. LVC does not prevent the battery from over-discharge during storage.

NOTICE: Repeated flying to LVC will damage the battery.

Tip: Monitor your aircraft battery's voltage before and after flying by using a Li-Po Cell Voltage Checker (SPMXBC100, sold separately).

Oscillation

For most flight maneuvers the aircraft should fly smoothly and normal, but it is possible in some flight conditions you may see oscillation (the aircraft rocks back and forth on one axis due to overcontrol). If oscillation occurs, refer to the Troubleshooting Guide for more information.

Repairs

Thanks to the EPO foam material in this aircraft, repairs to the foam can be made using virtually any adhesive (hot glue, regular CA, epoxy, etc). When parts are not repairable, see the Replacement Parts List for ordering by item number. For a listing of all replacement and optional parts, refer to the list at the end of this manual.

NOTICE: Use of CA accelerant on your aircraft can damage paint. DO NOT handle the aircraft until accelerant fully dries.

Differences between SAFE Select and AS3X modes

This section is generally accurate but does not take into account flight speed, battery charge status, and many other limiting factors.

- In SAFE Select mode the aircraft will self level when the control stick is neutralized.
In AS3X mode the aircraft will continue to fly at its present attitude when the control stick is neutralized.
- In SAFE Select mode holding a small amount of control will result in the model banking or pitching to a moderate angle and remaining at that angle as long as the control stick doesn't move.
In AS3X mode holding a small amount of control will result in the model continuing to pitch or roll at a slow rate as long as the control stick doesn't move.
- In SAFE Select mode holding full control will result in the airplane banking or pitching to the predetermined limits and the aircraft will keep flying at that attitude as long as the control stick is fully deflected.
In AS3X mode holding full control will result in the aircraft pitching or rolling as fast as possible, and it will continue to rapidly change attitude as long as the control stick is fully deflected.

PNP Receiver Selection and Installation

The Spektrum AR636 receiver is recommended for this airplane. If you choose to install another receiver, ensure that it is at least a 5-channel full range (sport) receiver. Refer to your receiver manual for correct installation and operation instructions.

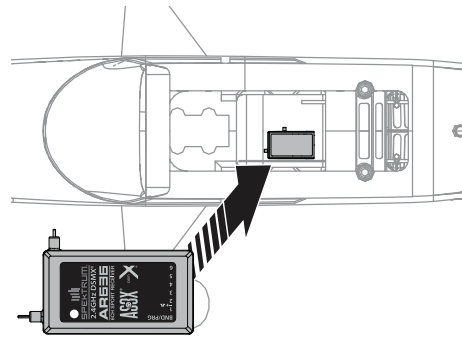
Installation (AR636 shown)

1. Remove the wing from the fuselage.
2. Mount the receiver parallel to the length of the fuselage as shown. Use double-sided servo tape.



CAUTION: Incorrect installation of the receiver could cause a crash.

3. Attach the appropriate control surfaces to their respective ports on the receiver using the chart in the illustration.



AR636 Port Assignments

BND/PRG = BIND

- 1 = Throttle
- 2 = Y-harness: Ailerons
- 3 = Elevator
- 4 = Rudder
- 5 = Lights
- 6 = Y-harness: Flaps

Post Flight

- | | |
|---|---|
| 1. Disconnect the flight battery from the ESC (Required for Safety and battery life). | 5. Repair or replace all damaged parts. |
| 2. Power OFF the transmitter. | 6. Store the flight battery apart from the aircraft and monitor the battery charge. |
| 3. Remove the flight battery from the aircraft. | 7. Make note of the flight conditions and flight plan results, planning for future flights. |
| 4. Recharge the flight battery. | |

Motor Service



CAUTION: Always disconnect the flight battery before performing motor service.

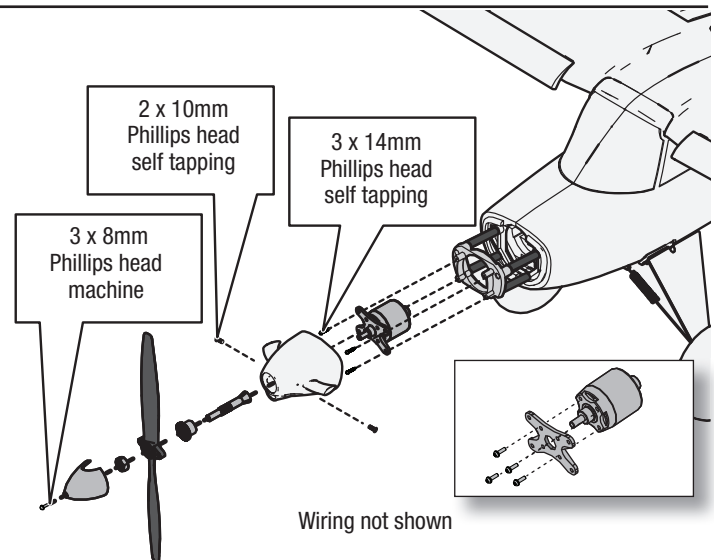
Disassembly

1. Remove the spinner screw and spinner from the propeller shaft.
2. Remove the spinner nut by using an adjustable wrench.
3. Remove the propeller, back hub and the propeller shaft from the motor shaft.
4. Remove the two screws from the sides of the cowling and remove the cowling from the fuselage.
5. Remove the four screws and the motor with the X-mount from the fuselage.
6. Disconnect the motor wires from the ESC wires.
7. Remove the four 3 x 6mm Phillips head machine screws and motor from the X-mount.

Assembly

Assemble in reverse order.

- Correctly align and connect the motor wire colors with the ESC wires.
- Install the propeller with the paint facing out from the motor.
- Tighten the spinner nut to secure the propeller into place.



Troubleshooting Guide AS3X

Problem	Possible Cause	Solution
Oscillation	Damaged propeller or spinner	Replace propeller or spinner
	Imbalanced propeller	Balance the propeller
	Motor vibration	Replace parts or correctly align all parts and tighten fasteners as needed
	Loose receiver	Align and secure receiver in fuselage
	Loose aircraft controls	Tighten or otherwise secure parts (servo, arm, linkage, horn and control surface)
	Worn parts	Replace worn parts (especially propeller, spinner or servo)
	Irregular servo movement	Replace servo
Inconsistent flight performance	Trim is not at neutral	If you adjust trim more than 8 clicks, adjust the clevis to remove trim
	Sub-Trim is not at neutral	No Sub-Trim is allowed. Adjust the servo linkage
	Aircraft was not kept immobile for 5 seconds after battery connection	With the throttle stick in lowest position. Disconnect battery, then reconnect battery and keep the aircraft still for 5 seconds
Incorrect response to the AS3X Control Direction Test	Incorrect direction settings in the receiver, which can cause a crash	DO NOT fly. Correct the direction settings (refer to the receiver manual), then fly

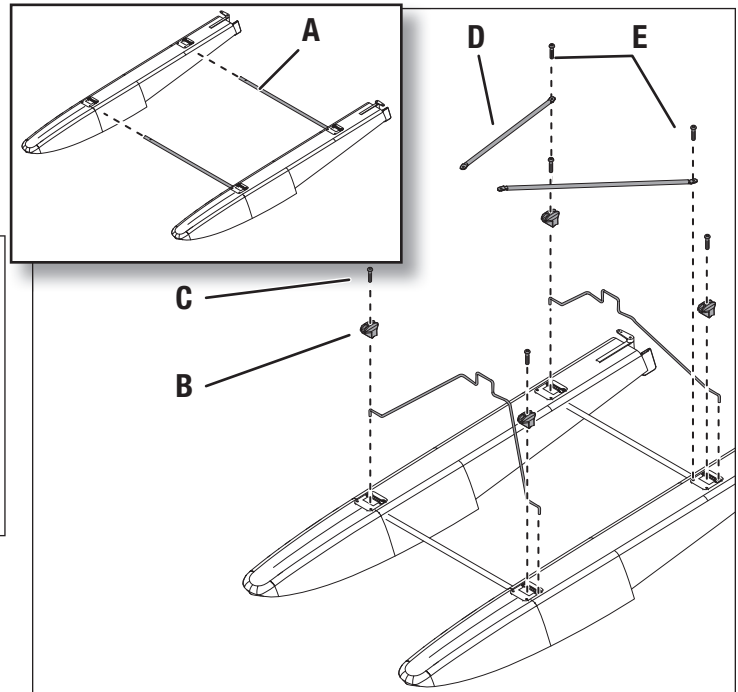
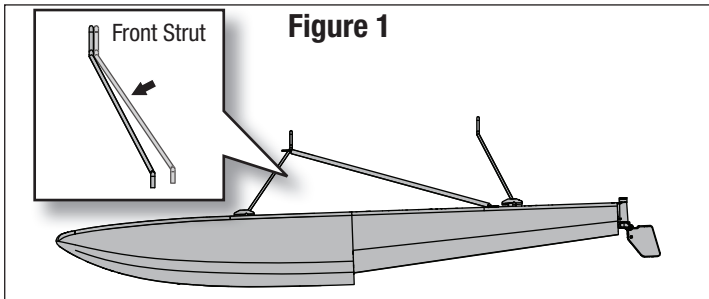
Troubleshooting Guide

Problem	Possible Cause	Solution
Aircraft will not respond to throttle but responds to other controls	Throttle not at idle and/or throttle trim too high	Reset controls with throttle stick and throttle trim at lowest setting
	Throttle servo travel is lower than 100%	Make sure throttle servo travel is 100% or greater
	Throttle channel is reversed	Reverse throttle channel on transmitter
	Motor disconnected from ESC	Make sure motor is connected to the ESC
Extra propeller noise or extra vibration	Damaged propeller and spinner, collet or motor	Replace damaged parts
	Propeller is out of balance	Balance or replace propeller
	Prop nut is too loose	Tighten the prop nut
Reduced flight time or aircraft under-powered	Flight battery charge is low	Completely recharge flight battery
	Propeller installed backwards	Install propeller with numbers facing forward
	Flight battery damaged	Replace flight battery and follow flight battery instructions
	Flight conditions may be too cold	Make sure battery is warm before use
	Battery capacity too low for flight conditions	Replace battery or use a larger capacity battery
Aircraft will not Bind (during binding) to transmitter	Transmitter too near aircraft during binding process	Move powered transmitter a few feet from aircraft, disconnect and reconnect flight battery to aircraft
	Aircraft or transmitter is too close to large metal object, wireless source or another transmitter	Move aircraft and transmitter to another location and attempt binding again
	The bind plug is not installed correctly in the bind port	Install bind plug in bind port and bind the aircraft to the transmitter
	Flight battery/transmitter battery charge is too low	Replace/recharge batteries
	Bind switch or button not held long enough during bind process	Power off transmitter and repeat bind process. Hold transmitter bind button or switch until receiver is bound
Aircraft will not connect (after binding) to transmitter	Transmitter too near aircraft during connecting process	Move powered transmitter a few feet from aircraft, disconnect and reconnect flight battery to aircraft
	Aircraft or transmitter is too close to large metal object, wireless source or another transmitter	Move aircraft and transmitter to another location and attempt connecting again
	Bind plug left installed in bind port	Rebind transmitter to the aircraft and remove the bind plug before cycling power
	Aircraft bound to different model memory (ModelMatch™ radios only)	Select correct model memory on transmitter
	Flight battery/Transmitter battery charge is too low	Replace/recharge batteries
	Transmitter may have been bound to a different aircraft using different DSM protocol	Bind aircraft to transmitter
Control surface does not move	Control surface, control horn, linkage or servo damage	Replace or repair damaged parts and adjust controls
	Wire damaged or connections loose	Do a check of wires and connections, connect or replace as needed
	Transmitter is not bound correctly or the incorrect airplanes was selected	Re-bind or select correct airplanes in transmitter
	Flight battery charge is low	Fully recharge flight battery
	BEC (Battery Elimination Circuit) of the ESC is damaged	Replace ESC
Controls reversed	Transmitter settings are reversed	Perform the Control Direction Test and adjust the controls on transmitter appropriately
Motor power pulses then motor loses power	ESC uses default soft Low Voltage Cutoff (LVC)	Recharge flight battery or replace battery that is no longer performing
	Weather conditions might be too cold	Postpone flight until weather is warmer
	Battery is old, worn out, or damaged	Replace battery
	Battery C rating might be too small	Use recommended battery

Float Installation (Optional)

Float Assembly

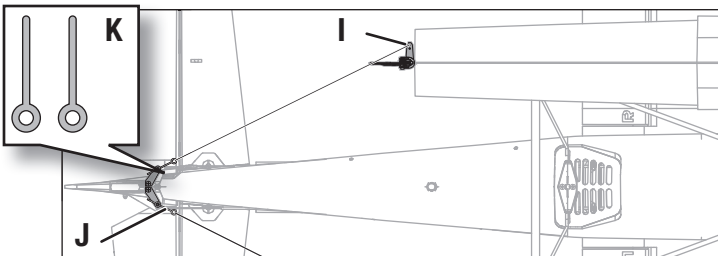
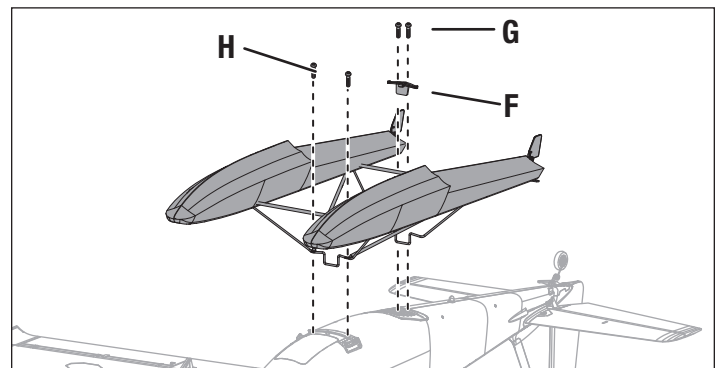
1. Install the 2 cross members (A) to the left and right floats as shown.
2. Install the front and rear float struts to the floats and secure the assembly together using the included 4 float plates (B) and 3mm x 25mm machine screws (C). The front strut has slightly more of an angle than the rear strut (Figure 1).
3. Install the front support members (D) as shown using the included self tapping screws (E).



Float Assembly Installation

1. Align and mount the float set assembly to the bottom of the fuselage.
2. Secure the back section of the floats to the fuselage using the included bracket (F) and two 3mm x 10mm self tapping screws (G).
3. Secure the front section of the floats using the two included 3mm x 12mm self tapping screws (H) to secure the front support members to the bottom of the fuselage.
4. Attach the included wire from each float rudder (I) to the pull-pull horn (J) using the two included pins (K).

Disassemble in reverse order.



Flying Off Water

Flying off water poses a higher risk because piloting errors or water conditions can cause the aircraft to become stranded. Only fly from the water when a level of comfort has been achieved flying the aircraft from the ground.

Pre-Flight

Ensure the optional floats are secure on the fuselage and the water rudders are correctly connected and operating with the main rudder before putting the aircraft in the water. Select an area to fly that does not have water currents, salt water, or debris. Look around the flight area and be aware of trees, docks, buoys, or other obstacles. Always fly with a spotter and avoid swimmers, boaters, people fishing, and people on the beach.

Taxiing

When taxiing, use low throttle settings and the rudders to steer. Hold up elevator to help keep the rudders in the water and the nose of the floats above the surface. Steer into the wind when turning, and crab into the wind if crosswind taxiing is required. When turning or crabbing into the wind, apply aileron against the wind to keep the upwind side of the wing down and prevent the aircraft from being flipped over. Do not apply down elevator when the airplane is taxiing or during the takeoff run.

On Step

When speed increases with throttle, the floats will rise out of the water and begin to plane on the surface of the water, riding "on step." The floats will come on step at a speed below flight speed, this is a transitional phase when the aircraft is not up to flight speed yet. This is considered a high speed taxi. Do not attempt to take off as soon as the aircraft comes on step. Use low to medium throttle and hold up elevator to manage speed on the water during a high speed taxi.

Takeoff

To lift off from the water, set the flaps to the takeoff position, hold up elevator and accelerate the aircraft to bring it on step. Relax the up elevator as the airplane comes on step and accelerate to flight speed with full throttle. When the aircraft is travelling at a sufficient speed, pull back slightly on the elevator to rotate for liftoff.

Landing

To land on the water, set the flaps to the landing position, and fly into the wind. Reduce the throttle to a low setting but keep some power during the approach. As the aircraft settles into ground effect, reduce the throttle fully and hold up elevator to flare. Hold up elevator through the touch down and as the airplane decelerates on the water.

WARNING: Never attempt to retrieve a downed aircraft by swimming unless you are sufficiently trained and/or there is another person available to respond in the case of an emergency.

CAUTION: Have a plan for retrieval in the event the airplane becomes stranded. Never retrieve a downed model in the water alone.

CAUTION: If at any time water splashes in the fuselage while flying from water, bring the airplane to shore, open the battery hatch and immediately remove any water that may have gotten in the fuselage. Leave the battery hatch open overnight to let the inside dry out and to prevent moisture damage to the electronic components. Failure to do so could cause the electronic components to fail, which could result in a crash.

TIP: Use a fishing pole with heavy line as a retrieval tool. Attach a tennis ball to the line, and throw the ball past a stranded aircraft to retrieve it.

AMA National Model Aircraft Safety Code

Effective January 1, 2014

A. GENERAL

A model aircraft is a non-human-carrying aircraft capable of sustained flight in the atmosphere. It may not exceed limitations of this code and is intended exclusively for sport, recreation, education and/or competition. All model flights must be conducted in accordance with this safety code and any additional rules specific to the flying site.

1. Model aircraft will not be flown:
 - (a) In a careless or reckless manner.
 - (b) At a location where model aircraft activities are prohibited.
2. Model aircraft pilots will:
 - (a) Yield the right of way to all man carrying aircraft.
 - (b) See and avoid all aircraft and a spotter must be used when appropriate. (AMA Document #540-D.)
 - (c) Not fly higher than approximately 400 feet above ground level within three (3) miles of an airport, without notifying the airport operator.
 - (d) Not interfere with operations and traffic patterns at any airport, heliport or seaplane base except where there is a mixed use agreement.
 - (e) Not exceed a takeoff weight, including fuel, of 55 pounds unless in compliance with the AMA Large Model Aircraft program. (AMA Document 520-A.)
 - (f) Ensure the aircraft is identified with the name and address or AMA number of the owner on the inside or affixed to the outside of the model aircraft. (This does not apply to model aircraft flown indoors).
 - (g) Not operate aircraft with metal-blade propellers or with gaseous boosts except for helicopters operated under the provisions of AMA Document #555.
 - (h) Not operate model aircraft while under the influence of alcohol or while using any drug which could adversely affect the pilot's ability to safely control the model.
 - (i) Not operate model aircraft carrying pyrotechnic devices which explode or burn, or any device which propels a projectile or drops any object that creates a hazard to persons or property.

Exceptions:

 - Free Flight fuses or devices that burn producing smoke and are securely attached to the model aircraft during flight.
 - Rocket motors (using solid propellant) up to a G-series size may be used provided they remain attached to the model during flight. Model rockets may be flown in accordance with the National Model Rocketry Safety Code but may not be launched from model aircraft.
 - Officially designated AMA Air Show Teams (AST) are authorized to use devices and practices as defined within the Team AMA Program Document (AMA Document #718).
 - (j) Not operate a turbine-powered aircraft, unless in compliance with the AMA turbine regulations. (AMA Document #510-A).
3. Model aircraft will not be flown in AMA sanctioned events, air shows or model demonstrations unless:
 - (a) The aircraft, control system and pilot skills have successfully demonstrated all maneuvers intended or anticipated prior to the specific event.
 - (b) An inexperienced pilot is assisted by an experienced pilot.
4. When and where required by rule, helmets must be properly worn and fastened. They must be OSHA, DOT, ANSI, SNELL or NOCSAE approved or comply with comparable standards.

B. RADIO CONTROL

1. All pilots shall avoid flying directly over unprotected people, vessels, vehicles or structures and shall avoid endangerment of life and property of others.
2. A successful radio equipment ground-range check in accordance with manufacturer's recommendations will be completed before the first flight of a new or repaired model aircraft.
3. At all flying sites a safety line(s) must be established in front of which all flying takes place (AMA Document #706.)
 - (a) Only personnel associated with flying the model aircraft are allowed at or in front of the safety line.
 - (b) At air shows or demonstrations, a straight safety line must be established.
 - (c) An area away from the safety line must be maintained for spectators.
 - (d) Intentional flying behind the safety line is prohibited.
4. RC model aircraft must use the radio-control frequencies currently allowed by the Federal Communications Commission (FCC). Only individuals properly licensed by the FCC are authorized to operate equipment on Amateur Band frequencies.
5. RC model aircraft will not operate within three (3) miles of any pre-existing flying site without a frequency-management agreement (AMA Documents #922 and #923.)
6. With the exception of events flown under official AMA Competition Regulations, excluding takeoff and landing, no powered model may be flown outdoors closer than 25 feet to any individual, except for the pilot and the pilot's helper(s) located at the flight line.
7. Under no circumstances may a pilot or other person touch a model aircraft in flight while it is still under power, except to divert it from striking an individual.
8. RC night flying requires a lighting system providing the pilot with a clear view of the model's attitude and orientation at all times. Hand-held illumination systems are inadequate for night flying operations.
9. The pilot of a RC model aircraft shall:
 - (a) Maintain control during the entire flight, maintaining visual contact without enhancement other than by corrective lenses prescribed for the pilot.
 - (b) Fly using the assistance of a camera or First-Person View (FPV) only in accordance with the procedures outlined in AMA Document #550.
 - (c) Fly using the assistance of autopilot or stabilization system only in accordance with the procedures outlined in AMA Document #560.

Please see your local or regional modeling association's guidelines for proper, safe operation of your model aircraft.

Limited Warranty

What this Warranty Covers

Horizon Hobby, LLC, (Horizon) warrants to the original purchaser that the product purchased (the "Product") will be free from defects in materials and workmanship at the date of purchase.

What is Not Covered

This warranty is not transferable and does not cover (i) cosmetic damage, (ii) damage due to acts of God, accident, misuse, abuse, negligence, commercial use, or due to improper use, installation, operation or maintenance, (iii) modification of or to any part of the Product, (iv) attempted service by anyone other than a Horizon Hobby authorized service center, (v) Product not purchased from an authorized Horizon dealer, or (vi) Product not compliant with applicable technical regulations, or (vii) use that violates any applicable laws, rules, or regulations.

OTHER THAN THE EXPRESS WARRANTY ABOVE, HORIZON MAKES NO OTHER WARRANTY OR REPRESENTATION, AND HEREBY DISCLAIMS ANY AND ALL IMPLIED WARRANTIES, INCLUDING, WITHOUT LIMITATION, THE IMPLIED WARRANTIES OF NON-INFRINGEMENT, MERCHANTABILITY AND FITNESS FOR A PARTICULAR PURPOSE. THE PURCHASER ACKNOWLEDGES THAT THEY ALONE HAVE DETERMINED THAT THE PRODUCT WILL SUITABLY MEET THE REQUIREMENTS OF THE PURCHASER'S INTENDED USE.

Purchaser's Remedy

Horizon's sole obligation and purchaser's sole and exclusive remedy shall be that Horizon will, at its option, either (i) service, or (ii) replace, any Product determined by Horizon to be defective. Horizon reserves the right to inspect any and all Product(s) involved in a warranty claim. Service or replacement decisions are at the sole discretion of Horizon. Proof of purchase is required for all warranty claims. SERVICE OR REPLACEMENT AS PROVIDED UNDER THIS WARRANTY IS THE PURCHASER'S SOLE AND EXCLUSIVE REMEDY.

Limitation of Liability

HORIZON SHALL NOT BE LIABLE FOR SPECIAL, INDIRECT, INCIDENTAL OR CONSEQUENTIAL DAMAGES, LOSS OF PROFITS OR PRODUCTION OR COMMERCIAL LOSS IN ANY WAY, REGARDLESS OF WHETHER SUCH CLAIM IS BASED IN CONTRACT, WARRANTY, TORT, NEGLIGENCE, STRICT LIABILITY OR ANY OTHER THEORY OF LIABILITY, EVEN IF HORIZON HAS BEEN ADVISED OF THE POSSIBILITY OF SUCH DAMAGES. Further, in no event shall the liability of Horizon exceed the individual price of the Product on which liability is asserted. As Horizon has no control over use, setup, final assembly, modification or misuse, no liability shall be assumed nor accepted for any resulting damage or injury. By the act of use, setup or assembly, the user accepts all resulting liability. If you as the purchaser or user are not prepared to accept the liability associated with the use of the Product, purchaser is advised to return the Product immediately in new and unused condition to the place of purchase.

Law

These terms are governed by Illinois law (without regard to conflict of law principals). This warranty gives you specific legal rights, and you may also have other rights which vary from state to state. Horizon reserves the right to change or modify this warranty at any time without notice.

WARRANTY SERVICES

Questions, Assistance, and Services

Your local hobby store and/or place of purchase cannot provide warranty support or service. Once assembly, setup or use of the Product has been started, you must contact your local distributor or Horizon directly. This will enable Horizon to better answer your questions and service you in the event that you may need any assistance. For questions or assistance, please visit our website at www.horizonhobby.com, submit a Product Support Inquiry, or call the toll free telephone number referenced in the Warranty and Service Contact Information section to speak with a Product Support representative.

Inspection or Services

If this Product needs to be inspected or serviced and is compliant in the country you live and use the Product in, please use the Horizon Online Service Request submission process found on our website or call Horizon to obtain a Return Merchandise Authorization (RMA) number. Pack the Product securely using a shipping carton. Please note that original boxes may be included, but are not designed to withstand the rigors of shipping without additional protection. Ship via a carrier that provides tracking and insurance for lost or damaged parcels, as Horizon is not responsible for merchandise until it arrives and is accepted at our facility. An Online Service Request is available at http://www.horizonhobby.com/content/_service-center_render-service-center. If you do not have internet access, please contact Horizon Product Support to obtain a RMA number along with instructions for submitting your product for service. When calling Horizon, you will be asked to provide your complete name, street address, email address and phone number where you can be reached during business hours. When sending product into Horizon, please include your RMA number, a list of the included items, and a brief summary of the problem. A copy of your original sales receipt must be included for warranty consideration. Be sure your name, address, and RMA number are clearly written on the outside of the shipping carton.

NOTICE: Do not ship LiPo batteries to Horizon. If you have any issue with a LiPo battery, please contact the appropriate Horizon Product Support office.

Warranty Requirements

For Warranty consideration, you must include your original sales receipt verifying the proof-of-purchase date. Provided warranty conditions have been met, your Product will be serviced or replaced free of charge. Service or replacement decisions are at the sole discretion of Horizon.

Non-Warranty Service

Should your service not be covered by warranty, service will be completed and payment will be required without notification or estimate of the expense unless the expense exceeds 50% of the retail purchase cost.

By submitting the item for service you are agreeing to payment of the service without notification. Service estimates are available upon request. You must include this request with your item submitted for service. Non-warranty 10/15 service estimates will be billed a minimum of ½ hour of labor. In addition you will be billed for return freight. Horizon accepts money orders and cashier's checks, as well as Visa, MasterCard, American Express, and Discover cards. By submitting any item to Horizon for service, you are agreeing to Horizon's Terms and Conditions found on our website http://www.horizonhobby.com/content/_service-center_render-service-center.

ATTENTION: Horizon service is limited to Product compliant in the country of use and ownership. If received, a non-compliant Product will not be serviced. Further, the sender will be responsible for arranging return shipment of the un-serviced Product, through a carrier of the sender's choice and at the sender's expense. Horizon will hold non-compliant Product for a period of 60 days from notification, after which it will be discarded.

10/15

Contact Information

Country of Purchase	Horizon Hobby	Contact Information	Address
United States of America	Horizon Service Center (Repairs and Repair Requests)	servicecenter.horizonhobby.com/RequestForm/	2904 Research Rd Champaign, Illinois, 61822 USA
	Horizon Product Support (Product Technical Assistance)	productsupport@horizonhobby.com 877-504-0233	
	Sales	websales@horizonhobby.com 800-338-4639	
European Union	Horizon Technischer Service	service@horizonhobby.eu	Hanskampring 9 D 22885 Barsbüttel, Germany
	Sales: Horizon Hobby GmbH	+49 (0) 4121 2655 100	


FCC Information

FCC ID: BRWDASRX15

Contains IC: 6157A-AMRX15

FCC Information

This device complies with part 15 of the FCC rules. Operation is subject to the following two conditions: (1) This device may not cause harmful interference, and (2) this device must accept any interference received, including interference that may cause undesired operation.


 **CAUTION:** Changes or modifications not expressly approved by the party responsible for compliance could void the user's authority to operate the equipment.


This product contains a radio transmitter with wireless technology which has been tested and found to be compliant with the applicable regulations governing a radio transmitter in the 2.400GHz to 2.4835GHz frequency range.

Supplier's Declaration of Conformity

Turbo Timber 1.5m BNF Basic with AS3X and SAFE Select - EFL15250

Turbo Timber 1.5m PNP - EFL15275

 This device complies with part 15 of the FCC Rules. Operation is subject to the following two conditions: (1) This device may not cause harmful interference, and (2) this device must accept any interference received, including interference that may cause undesired operation.

 **CAUTION:** Changes or modifications not expressly approved by the party responsible for compliance could void the user's authority to operate the equipment.

NOTE: This equipment has been tested and found to comply with the limits for a Class B digital device, pursuant to part 15 of the FCC Rules. These limits are designed to provide reasonable protection against harmful interference in a residential installation. This equipment generates, uses and can radiate radio frequency energy and, if not installed and used in accordance with the instructions, may cause harmful interference to radio communications. However, there is no guarantee that interference will not occur in a particular installation. If this equipment does cause harmful interference to radio or television reception, which can be determined by turning the equipment off and on, the user is encouraged to try to correct the interference by one or more of the following measures:

- Reorient or relocate the receiving antenna.
- Increase the separation between the equipment and receiver.
- Connect the equipment into an outlet on a circuit different from that to which the receiver is connected.
- Consult the dealer or an experienced radio/TV technician for help.

Horizon Hobby, LLC
2904 Research Rd.
Champaign, IL 61822
Email: compliance@horizonhobby.com
Web: HorizonHobby.com

IC Information

CAN ICES-3 (B)/NMB-3(B)

IC: 6157A-AMRX15

This device complies with Industry Canada licence-exempt RSS standard(s). Operation is subject to the following two conditions: (1) this device may not cause interference, and (2) this device must accept any interference, including interference that may cause undesired operation of the device.

Compliance Information for the European Union

EU Compliance Statement:



EFL15275 Turbo Timber 1.5m PNP; Horizon Hobby, LLC hereby declares that this product is in compliance with the essential requirements and other relevant provisions of the EMC Directive.

EFL15250 Turbo Timber 1.5m BNF BASIC; Horizon Hobby, LLC hereby declares that this product is in compliance with the essential requirements and other relevant provisions of the RED and EMC Directives.

A copy of the EU Declaration of Conformity is available online at: <http://www.horizonhobby.com/content/support-render-compliance>.

Instructions for disposal of WEEE by users in the European Union



This product must not be disposed of with other waste. Instead, it is the user's responsibility to dispose of their waste equipment by handing it over to a designated collections point for the recycling of waste electrical and electronic equipment. The separate collection and recycling of your waste equipment at the time of disposal will help to conserve natural resources and make sure that it is recycled in a manner that protects human health and the environment. For more information about where you can drop off your waste equipment for recycling, please contact your local city office, your household waste disposal service or where you purchased the product.



HINWEIS

Allen Anweisungen, Garantien und anderen zugehörigen Dokumenten sind Änderungen nach Ermessen von Horizon Hobby, LLC vorbehalten. Aktuelle Produktliteratur finden Sie unter www.horizonhobby.com oder www.towerhobbies.com im Support-Abschnitt für das Produkt.

Begriffserklärung

Die folgende Begriffe werden in der gesamte Produktliteratur verwendet, um die Gefährdungsstufen im Umgang mit dem Produkt zu definieren:

WARNUNG: Verfahren können bei nicht ordnungsgemäßer Durchführung womöglich Schäden an Eigentum, Kollateralschäden UND schwere Verletzungen ODER höchstwahrscheinlich oberflächliche Verletzungen verursachen.

ACHTUNG: Verfahren können bei nicht ordnungsgemäßer Durchführung womöglich Schäden an physischem Eigentum UND schwere Verletzungen verursachen.

HINWEIS: Verfahren können bei nicht ordnungsgemäßer Durchführung womöglich Schäden an physischem Eigentum UND geringfügige oder keine Verletzungen verursachen.



WARNUNG: Lesen Sie die GESAMTE Bedienungsanleitung, um sich vor Inbetriebnahme mit den Funktionen des Produkts vertraut zu machen. Eine nicht ordnungsgemäße Bedienung des Produkts kann das Produkt und persönliches Eigentum schädigen und schwere Verletzungen verursachen.

Dies ist ein hoch entwickeltes Produkt für den Hobbygebrauch. Es muss mit Vorsicht und Umsicht bedient werden und erfordert einige mechanische Grundfertigkeiten. Wird das Produkt nicht sicher und umsichtig verwendet, so könnten Verletzungen oder Schäden am Produkt oder anderem Eigentum entstehen. Dieses Produkt ist nicht für den Gebrauch durch Kinder ohne direkte Aufsicht eines Erwachsenen vorgesehen. Versuchen Sie nicht, das Produkt ohne Zustimmung von Horizon Hobby, LLC zu zerlegen, mit nicht-kompatiblen Komponenten zu verwenden oder beliebig zu verbessern. Dieses Handbuch enthält Sicherheitshinweise sowie Anleitungen zu Betrieb und Wartung. Es ist unerlässlich, dass Sie alle Anleitungen und Warnungen in diesem Handbuch vor dem Zusammenbau, der Einrichtung oder der Inbetriebnahme lesen und diese befolgen, um eine korrekte Bedienung zu gewährleisten und Schäden bzw. schwere Verletzungen zu vermeiden.

14+

Altersempfehlung: Nicht für Kinder unter 14 Jahren. Dies ist kein Spielzeug.



Warnung gegen gefälschte Produkte: Sollten Sie jemals einen Empfänger aus einem Horizon Hobby Produkt wechseln wollen, kaufen Sie diesen bitte bei Horizon Hobby oder einem autorisierten Horizon Hobby Händler um sicher zu stellen, dass Sie ein authentisches qualitativ hochwertiges Spektrum Produkt erhalten. Horizon Hobby LLC lehnt jedwede Haftung, Garantie oder Unterstützung sowie Kompatibilitäts- oder Leistungsansprüche zu DSM oder Spektrum in Zusammenhang mit gefälschten Produkten ab.

Sicherheitsmaßnahmen und Warnungen








Als Benutzer dieses Produkts sind ausschließlich Sie für den Betrieb auf eine Weise verantwortlich, die sie selbst oder andere nicht gefährdet, bzw. die zu keiner Beschädigung des Produkts oder des Eigentums anderer führt.

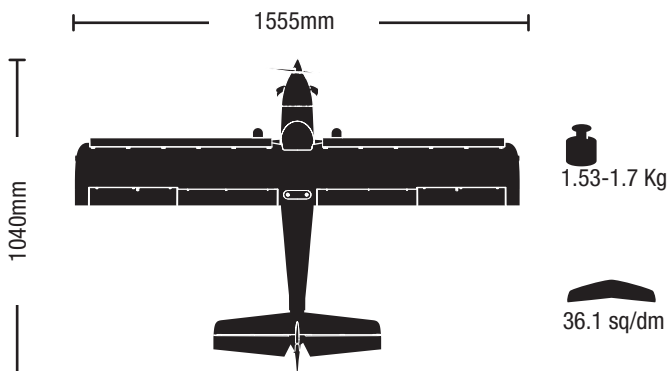
- Halten Sie stets in allen Richtungen einen Sicherheitsabstand zu Ihrem Modell ein, um Kollisionen und Verletzungen zu vermeiden. Dieses Modell wird über ein Funksignal gesteuert. Funksignale können von außerhalb gestört werden, ohne dass Sie darauf Einfluss nehmen können. Dies kann zu einem vorübergehenden Verlust der Steuerungskontrolle führen.
- Betreiben Sie Ihr Modell stets auf offenen Geländern, weit ab von Automobilen, Verkehr und Menschen.
- Befolgen Sie die Anweisungen und Warnungen für dieses Produkt und jedwedes optionales Zubehörteil (Ladegeräte, wiederaufladbare Akkus etc.) stets sorgfältig.
- Halten Sie sämtliche Chemikalien, Kleinteile und elektrische Komponente stets außer Reichweite von Kindern.
- Feuchtigkeit beschädigt die Elektronik. Vermeiden Sie den Wasserkontakt aller Komponenten, die dafür nicht speziell ausgelegt und entsprechend geschützt sind.
- Nehmen Sie niemals ein Element des Modells in Ihren Mund, da dies zu schweren Verletzungen oder sogar zum Tod führen könnte.
- Betreiben Sie Ihr Modell niemals mit schwachen Senderbatterien.
- Halten Sie das Fluggerät stets unter Blickkontakt und Kontrolle.
- Fliegen Sie nur mit vollständig aufgeladenen Akkus.
- Halten Sie den Sender stets eingeschaltet, wenn das Fluggerät eingeschaltet ist.
- Entfernen Sie stets den Akku, bevor Sie das Fluggerät auseinandernehmen.
- Halten Sie bewegliche Teile stets sauber.
- Halten Sie die Teile stets trocken.
- Lassen Sie die Teile stets auskühlen, bevor Sie sie berühren.
- Entfernen Sie nach dem Flug stets den Akku.
- Stellen Sie immer sicher, dass der Failsafe vor dem Flug ordnungsgemäß eingestellt ist.
- Betreiben Sie das Fluggerät niemals bei beschädigter Verkabelung.
- Berühren Sie niemals sich bewegende Teile.

Schnellstartanleitung

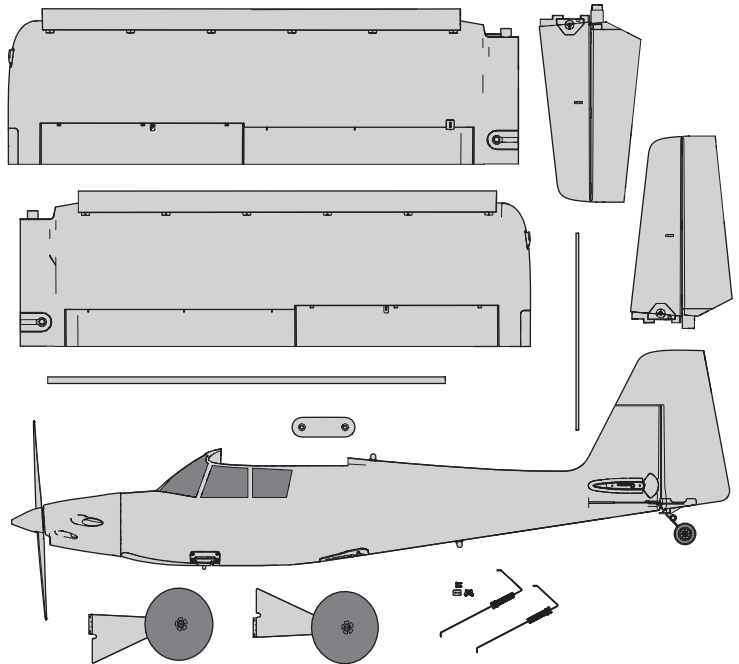
Senderprogrammierung	Programmieren Sie den Sender mit diesen Einstellungen:		
	Hi Rate	Low Rate	
Dual Rate	Querr.	▲33mm ▼33mm	▲25mm ▼25mm
	Höhenruder	22mm	16mm
	Seitenruder	30mm	20mm
	Klappen	Voll ▼=35mm	Halb ▼=20mm
Schwerpunkt (CG)	60mm +/-5mm von der Vorderkante		
Timereinstellung-Flugzeit	4 Minuten		

Komponenten

		BNF BASIC	PNP PLUG-N-PLAY
	Motoren: 10BL Brushless Aussenläufer 800Kv (EFLM17552)	Eingebaut	Eingebaut
	ESC: 40 AMP Brushless ESC (EFLA1040U)	Eingebaut	Eingebaut
	Servo: 9 gram Metallgetriebeservos (6 x SPMSA370)	Eingebaut	Eingebaut
	Empfänger: Spektrum AR636A 6-Channel Sport Empfänger (SMPAR636)	Eingebaut	Erforderlich
	Empfohlener Akku: 11.1V 3S 2200mAh 30C Li-Po (EFLB22003S30)	Erforderlich	Erforderlich
	Empfohlenes Ladegerät: 3-zelliges LiPo-Akkuausgleichsladegerät	Erforderlich	Erforderlich
	Empfohlener Sender: Spektrum AR636A 6-Channel Sport Empfänger (SMPAR636)	Erforderlich	Erforderlich



Lieferumfang



Inhaltsverzeichnis

SAFE Select-Technologie	21
Vor dem Flug	21
Sender Setup	21
Zusammenbau des Modells	22
Montage des Modells; <i>Fortsetzung</i>	23
Binden/SAFE Select ein- und ausschalten (BNF Basic)	25
Einsetzen des Akkus und armenieren den Reglers	26
Schalterbelegung von SAFE Select	27
Horn- und Servoarm-Einstellungen	27
Der Schwerpunkt (CG)	28
AS3X Kontrolltest	28
Trimmung im Flug.....	28
Flugtipps und Reparaturen.....	29
Fliegen mit SAFE Select	29
PNP Version Empfängerauswahl und Einbau	30
Motorwartung	30
Leitfaden zur Problemlösung AS3X.....	30
Leitfaden zur Problemlösung.....	31
Montage des Modells; (Fortsetzung).....	32
Starten von Gewässern	32
Haftungsbeschränkung	33
Garantie und Service Kontaktinformationen.....	34
Konformitätshinweise für die Europäische Union	34
Empfohlene Empfänger.....	66
Ersatzteile.....	67
Optionale Bauteile.....	68

INFORMATIONEN ZUM BINDEN DES EMPFÄNGERS

Kanäle	6
Frequenz	2405–2476 MHz
Kompatibilität	DSM2 und DSMX

Registrieren Sie sich unter <https://www.horizonhobby.com/content/e-flite-rc> für Produktupdates, spezielle Angebote und mehr.

SAFE® Select Technology (BNF Basic)

Die BNF Basic-Version dieses Flugzeugs verfügt über die SAFE Select-Technologie, die im Flug einen zusätzlichen Schutz bietet. Verwenden Sie die folgenden Anweisungen, um das SAFE Select-System zu aktivieren und einem Switch zuzuweisen. Wenn diese Option aktiviert ist, verhindert SAFE Select, dass das Flugzeug die vorgegebenen Grenzwerte überschreitet oder kippt. Durch die automatische Selbstnivellierung wird das Flugzeug in einer geraden und waagerechten Fluglage gehalten, wenn Querruder, Höhenruder und Ruderhebel neutral sind.

SAFE Select ist während des Bindungsvorgangs aktiviert oder deaktiviert. Wenn das Flugzeug mit SAFE Select aktiviert ist, kann ein Schalter zum Umschalten zwischen dem SAFE Select-Modus und dem AS3X-Modus zugewiesen werden. Die AS3X®-Technologie bleibt ohne Banklimits oder Selbstnivellierung aktiv, wenn SAFE Select deaktiviert oder deaktiviert ist.

SAFE Select kann auf drei Arten konfiguriert werden.

- SAFE Select Off: Immer im AS3X-Modus
- SAFE Select Ein - kein Schalter zugewiesen: Immer im SAFE Select-Modus
- SAFE Select Ein mit zugewiesenem Schalter: Umschalten zwischen SAFE-Select-Modus und AS3X-Modus

Vor dem Flug

1. Inhalt entfernen und überprüfen.	9. Überprüfen, ob sich die Gestänge unbehindert bewegen lassen.
2. Diese Anleitung sorgfältig durchlesen.	10. Testen Sie die Klappenbedienug.
3. Den Flug-Akku aufladen.	11. Steuerrichtungstest mit dem Sender durchführen.
4. Sender laut der Sender-Einrichtungstabelle einrichten.	12. AS3X-Steuerrichtungstest mit dem Flugzeug durchführen.
5. Das Flugzeug komplett zusammenbauen.	13. Flugsteuerungen und Sender anpassen.
6. Den Flug-Akku (nach dem vollständigen Laden) im Flugzeug montieren.	14. Reichweitentest des Funksystems durchführen.
7. Den Schwerpunkt (CG) überprüfen.	15. Einen sicheren offenen Bereich zum Fliegen finden.
8. Flugzeug mit dem Sender binden.	16. Flug gemäß Bedingungen des Flugfeldes planen.

Sender Setup

WICHTIG: Nach dem Einrichten des Modells immer den Sender und Empfänger erneut binden, um die gewünschten Failsafe-Positionen einzurichten.

Duale Geschwindigkeiten

Die ersten Flüge bei niedriger Geschwindigkeit durchführen. Zum Landen hohe Geschwindigkeit verwenden.

HINWEIS: Zur korrekten Funktionsweise der AS3X-Technologie die Geschwindigkeitswerte nicht unter 50 % senken. Werden niedrigere Geschwindigkeiten gewünscht, die Position der Gestänge auf dem Servoarm manuell anpassen.

HINWEIS: Tritt Oszillation bei hoher Geschwindigkeit auf, die Fehlerbehebung zu weiteren Informationen lesen.

Expo

Nach den ersten Flügen kann der Expo im Sender angepasst werden.

Computergestützte Senderkonfiguration

Die gesamte Senderprogrammierung mit einem leeren ACRO-Modell (eine Zurücksetzung des Modells durchführen) beginnen, dann das Modell benennen.	
Duale Geschwindigkeit einstellen auf	HOCH 100 % NIEDRIG 70 %
Servoverschiebung einstellen auf	100%
Stellen Sie Drosselschnitt auf ein	-130%
DXe	Siehe spektrumrc.com zur entsprechenden Downloadeinrichtung.
DX6i	1. Das KONFIGURATIONSMENÜ (SETUP LIST MENU) aufrufen
	2. MODELLTYP (MODEL TYPE) einstellen: ACRO
	3. Das EINSTELLUNGSMENÜ (ADJUST LIST MENU) aufrufen
	4. BREMSKLAPPEN (FLAPS) einstellen: Norm ↓ 100 Klappe (Flap) Höhenruder (Elev) 0 LANDUNG (LAND) ↑ -100 Klappe (Flap) Höhenruder (Elev) 30
DX7S DX8	1. SYSTEMKONFIGURATION (SYSTEM SETUP) einstellen
	2. MODELLTYP (MODEL TYPE) einstellen: FLUGZEUG
	3. FLÜGELTYP (WING TYPE) einstellen: 1 QUERRUDER 1 KLAPPE (1 AIL 1 FLAP)
	4. Die FUNKTIONSLISTE (FUNCTION LIST) aufrufen
	5. KLAPPENSYSTEM (FLAP SYSTEM) einstellen: Klappe wählen NORM: 100 % KLAPPE (FLAP) MITTE (MID): 0 % KLAPPE (FLAP) 16 % Höhenruder (Elevator) LANDUNG (LAND): -100 % (KLAPPE) (FLAP) 30 % Höhenruder (Elevator) GESCHWINDIGKEIT (SPEED) 2,0 s: SCHALTER (SWITCH) = KLAPPE (FLAP)
DX6e DX6* DX7* DX8* DX9 DX10t DX18 DX20 iX12	1. Gehen Sie in die SYSTEMEINSTELLUNG (Modell-Setup) [†]
	2. Wählen Sie als Modelltyp: FLUGZEUG
	3. Wählen Sie als FLUGZEUGTYP: (Luftfahrzeugtyp, Luftfahrzeugtyp [Flugzeug]) [†] 1 Querruder 1 Klappe
	4. Gehen Sie in die FUNKTIONSLISTE (Modell anpassen) [†]
DX6e DX6* DX7* DX8* DX9 DX10t DX18 DX20 iX12	6. Klappensystem: Pos 0: 100 % KLAPPE (FLAP) Pos 1: 0 % KLAPPE (FLAP) 16 % Höhenruder (Elevator) Pos 2: -100 % (KLAPPE) (FLAP) 30 % Höhenruder (Elevator) GESCHWINDIGKEIT (SPEED) 2,0 s: SCHALTER (SWITCH) = KLAPPE (FLAP)

[†] Einige der in der iX12-Programmierung verwendeten Begriffe und Funktionspositionen können sich leicht von anderen Spektrum AirWare™ Funksystemen unterscheiden. Die in der Paranthese angegebenen Namen entsprechen der iX12-Programmierungsterminologie. Für spezifische Informationen zur Programmierung Ihres Senders Ihre Sender-Betriebsanleitung konsultieren.

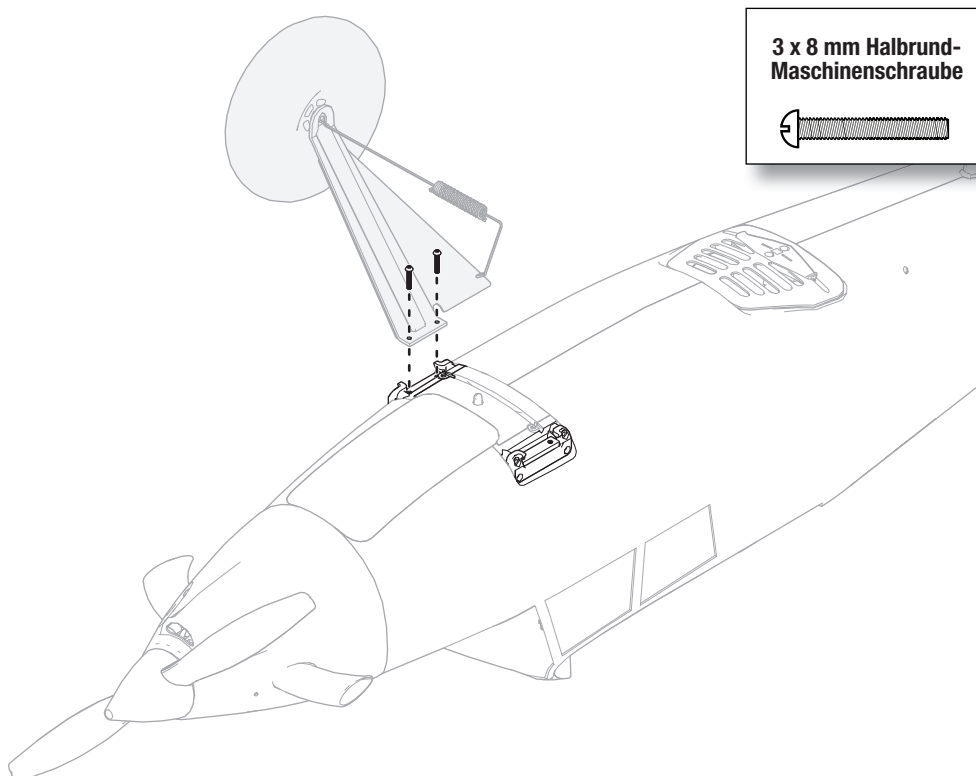
* Die Werte für die Klappenprogrammierung können leicht variieren. Für Ihre ersten Flüge die im Abschnitt Klappen angegebenen empfohlenen Klappenweinstellungen verwenden und den Klappenweg bei anschließenden Flügen nach Bedarf anpassen.

Zusammenbau des Modells

Montage des Fahrwerks

Das Fahrwerk am Rumpf befestigen

1. Eine Fahrwerk-Baugruppe in der Tasche an der Rumpfseite laut Abbildung einführen. Die Fahrwerkbeine sind auf dem Aluminiumlager befestigt, das in der Tasche drehbar gelagert ist.
2. Die mitgelieferten 3 mm x 8 mm Maschinenschrauben durch das Fahrwerkbein in die Gewindebohrungen im Zapfenlager aus Aluminium drehen.
3. Diesen Vorgang zur Montage der zweiten Fahrwerk-Baugruppe wiederholen.

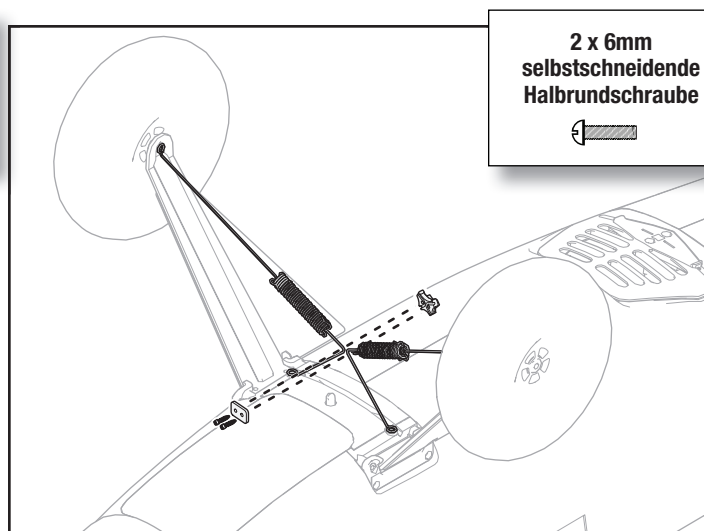
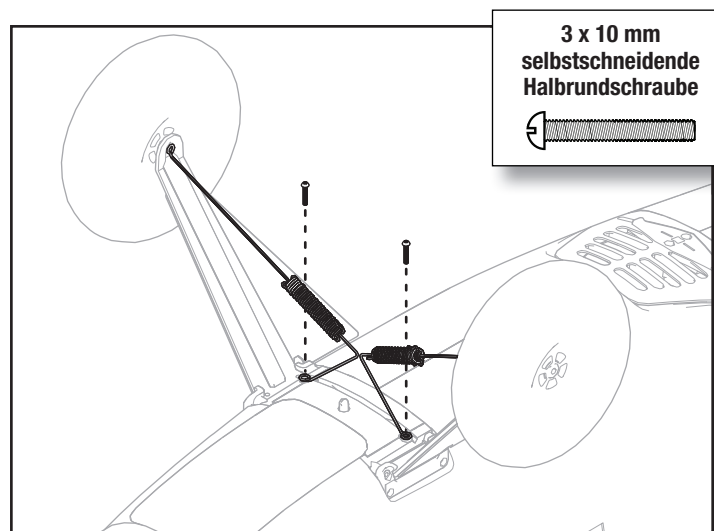


Die Feder-Baugruppen am Rumpf befestigen

1. Die Feder-Baugruppen mit den Befestigungslöchern im Rumpf ausrichten. Diese Baugruppen werden an der im Rumpf zwischen dem Fahrwerk vormontierten Halterung aus Kunststoff befestigt.
2. Die zwei 3 x 10 mm Blechschrauben montieren, um die Feder-Baugruppen in Position zu halten.

Die Feder-Baugruppen zusammenklemmen

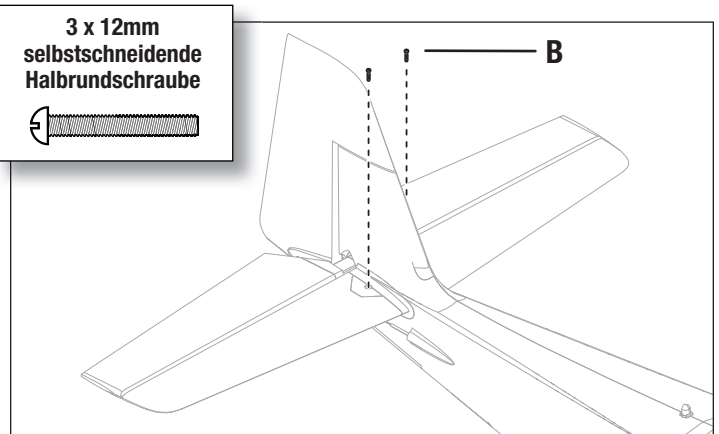
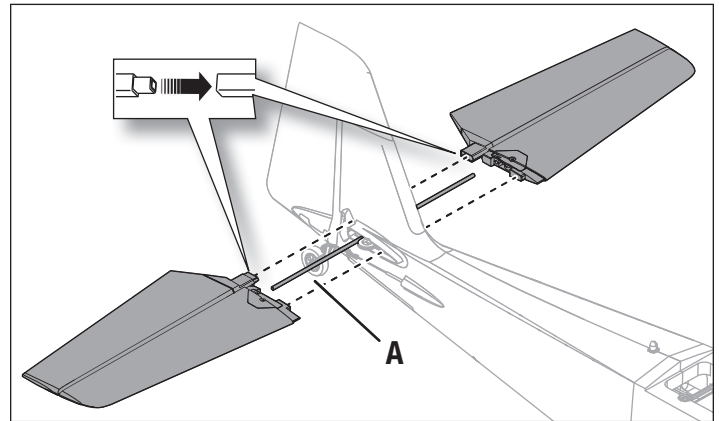
1. Die Feder-Baugruppen mit der Stangenhalterung ausrichten.
2. Die Baugruppe mit den beiden 2 x 6 mm Blechschrauben befestigen.



Montage des Modells; Fortsetzung

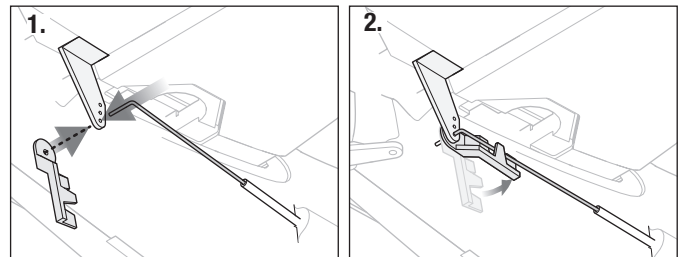
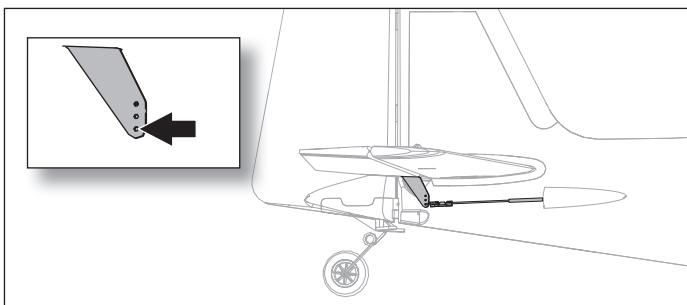
Montage des Höhenleitwerks

1. Schieben Sie den Leitwerksverbinder (A) in die Öffnung im Rumpfheck. Das Ruderhorn muß dabei nach unten zeigen.
2. Schieben Sie beiden Teile (links und rechts) des Höhenruders auf. Bitte achten Sie darauf, dass die Ruderhörner nach unten zeigen.
3. Schrauben Sie das Höhenleitwerk mit den beiden Schrauben (B) fest.
4. Schließen Sie den Gabelkopf am Ruderhorn an (lesen Sie hier die Anweisungen zur Montage der Gabelköpfe).



Montage des Servoarms

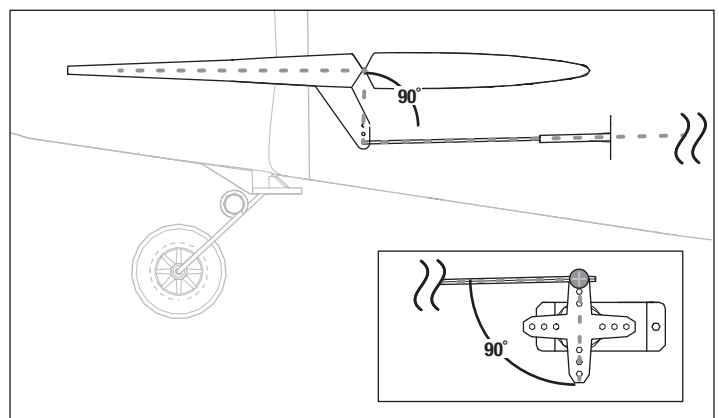
1. Das Ende des Gestänges mit der um 90° gebogenen Spitze in das Steuerhorn einführen. Stecken Sie dann das Ende der Schubstange in das Loch am Servoarm.
2. Drehen Sie den Servoarm und drücken Sie ihn an der Schubstange fest, bis er mit einem Klicken einrastet.



Zentrieren der Steuerflächen

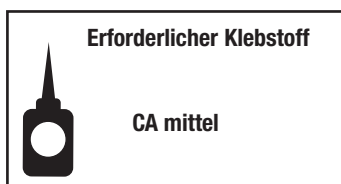
Nach dem Einrichten und Binden des Senders bestätigen Sie, dass die Steuerflächen zentriert sind. Sind die Steuerflächen nicht zentriert, zentrieren Sie die Steuerflächen vor dem Fliegen mechanisch.

1. Stellen Sie Trimmungen und Ersatztrimmungen auf 0.
2. Sind die Steuerflächen nicht zentriert, lösen Sie die Schrauben am Schnellverbindungsgestänge am Servohorn.
3. Drehen Sie die Schubstange an der Schnellverbindung, um die Länge des Gestänges zwischen dem Servoarm und dem Steuerhorn zu verändern, bis die Steuerfläche zentriert ist.
4. Tragen Sie Gewindegewinde auf die Schraubengewinde auf und ziehen Sie die Schraube an, um die Schubstange in der gewünschten Länge zu sichern.



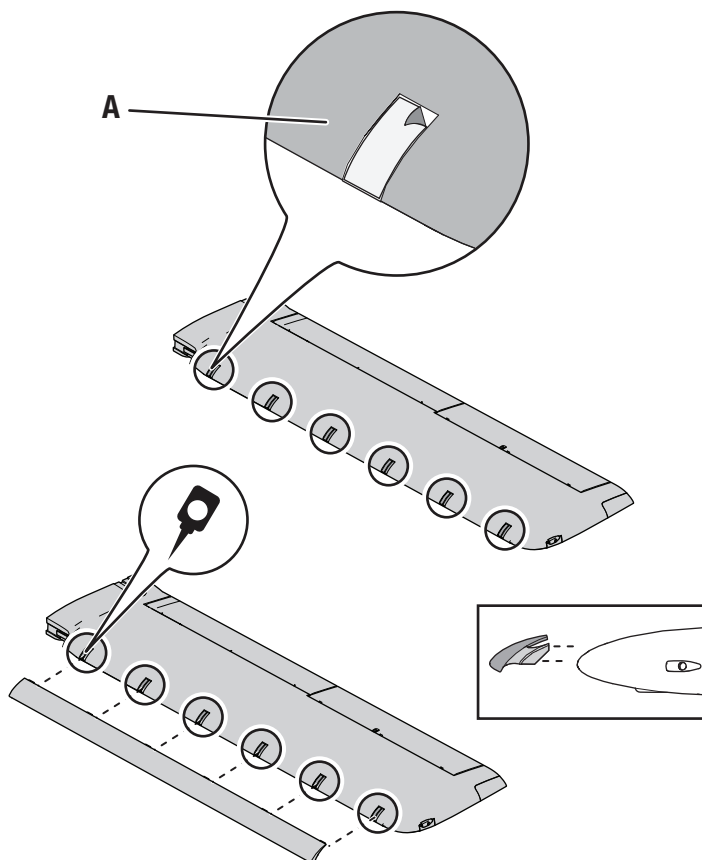
Montage des Modells; Fortsetzung

Montage der Tragflächen



Montage der Vorflügel

1. Entfernen Sie vorsichtig die Schutzfolie der Haltetaschen (A) von der Tragfläche.
2. Geben Sie nach dem Entfernen der Schutzfolie mittelflüssigen Sekundenkleber in jede Tasche.
3. Setzen Sie vorsichtig die Vorflügel mit der runden Seite nach vorne ein. Bitte achten Sie die Seiten korrekt zu montieren. Die Flächenseiten und Vorflügel sind mit "L" und "R" markiert.



Montage der Tragflächen

1. Schieben Sie die beiden Tragflächenhälften wie abgebildet zusammen.
2. Setzen Sie den Tragflächenhalter (A) ein.
3. Führen Sie die Anschlüsse der Klappen, Beleuchtung und Servos (B) von oben wie abgebildet in den Rumpf.

Tipp: Führen Sie die Servoanschlüsse falls nötig mit einer Pinzette oder einer kleinen Spitzzange in den Rumpf.

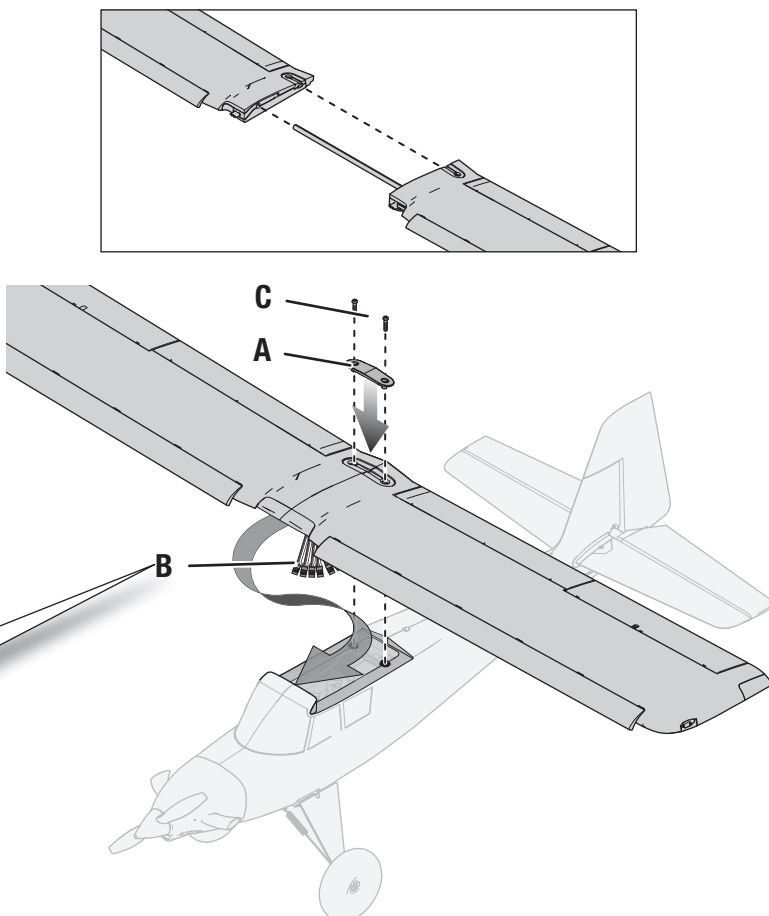
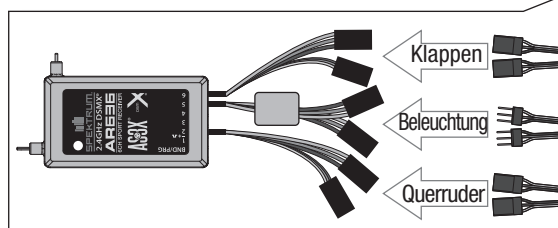
4. Schließen Sie die Klappen- und Querruderanschlüsse an den Empfänger an. Die linken und rechten Servos können je an eine Seite der entsprechenden Y-Kabel angeschlossen werden.
5. Schließen Sie die Lichtanschlüsse mit den freien Pins an die Beleuchtungsstecker an.

WICHTIG: Damit das AS3X System einwandfrei funktioniert müssen die Querruder mit dem im Lieferumfang enthaltenen Y-Kabel an den AILE (Kanal 2) Port angeschlossen werden.

6. Richten Sie die Tragfläche zum Rumpf aus und sichern Sie diese mit den beiden Schrauben (C)

⚠ ACHTUNG: Quetschen Sie nicht die Kabel wenn Sie Tragfläche montieren.

Demontieren Sie in umgekehrter Reihenfolge.

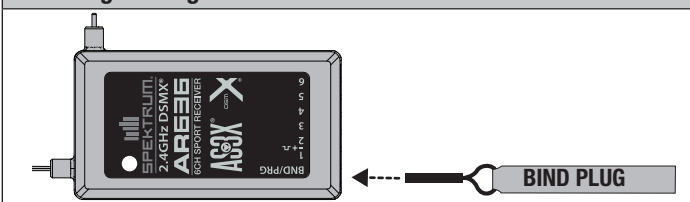


Binden von Sender und Empfänger/SAFE Select ein- und ausschalten

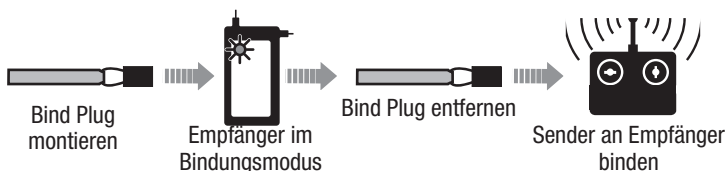
Dieses Produkt erfordert einen zugelassenen Spektrum DSM2/DSMX kompatiblen Sender. Eine vollständige Liste der zugelassenen Sender ist unter www.bindnfly.com zu finden. Das Flugzeug verfügt über eine optionale SAFE Select-Funktion, die durch das Binden auf eine nachstehend beschriebene spezifische Weise einfach ein- oder ausgeschaltet werden kann.

WICHTIG: Vor dem Binden eines Senders den Abschnitt zur Sender-Einrichtung in dieser Anleitung lesen, um sicherzustellen, dass der Sender für dieses Flugzeug korrekt programmiert wird.

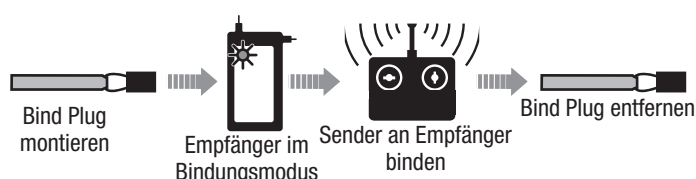
Bind Plug Montage



Bindungssequenz für das Einschalten von SAFE Select



Bindungssequenz für das Ausschalten von SAFE Select



Bindungsverfahren/Einschalten von SAFE Select

WICHTIG: Der mitgelieferte AR636-Empfänger wurde speziell für den Betrieb mit diesem Flugzeug programmiert. Siehe Empfänger-Handbuch für das korrekte Einrichten, falls der Empfänger ersetzt oder in einem anderen Flugzeug verwendet wird.

⚠️ ACHTUNG: Bei der Verwendung eines Futaba®-Senders mit einem Spektrum DSM-Modul muss der Gaskanal umgekehrt und neu gebunden werden. Siehe Handbuch des Spektrum-Moduls zu den Anweisungen für Bindung und Failsafe. Siehe Handbuch des Futaba-Senders zu den Anweisungen für das Umkehren des Gaskanals.

1. Die Sendersteuerungen auf neutral (Flugsteuerungen: Quer-, Höhen- und Seitenruder) oder auf niedrige Positionen (Gas, Gastrimmung) bringen.*
2. Einen Bindungsstecker in den Bindungsanschluss des Empfängers montieren.
3. Das Fluggerät gerade auf seine Räder stellen, dann den Flug-Akku mit dem Geschwindigkeitsregler verbinden. Der Motor gibt eine Reihe von Tönen aus. Die orangefarbene LED für das Binden des Empfängers beginnt, schnell zu blinken.

4. Den Bindungsstecker vom Bindungsanschluss entfernen.

5. Drei Schritte vom Fluggerät/Empfänger weggehen und den Sender in den Bindungsmodus bringen. Siehe Handbuch des Senders für spezifische Bindungsanweisungen.

WICHTIG: Die Senderantenne während des Bindens nicht direkt auf den Empfänger richten.

WICHTIG: Während des Bindens von großen Metallobjekten fern halten.

6. Der Empfänger ist an den Sender gebunden, wenn orangefarbene Licht am Empfänger durchgängig orange leuchtet. Der Geschwindigkeitsregler gibt eine Reihe von Tönen aus. Die Tonfolge zeigt an, dass der Geschwindigkeitsregler bereit ist, vorausgesetzt, Gashebelstellung und Gastrimmung sind niedrig genug, um den Regler zu aktivieren.

WICHTIG: Nach dem Binden behält der Empfänger seine Bindung und letzte Einstellung bis diese bewusst geändert werden, selbst wenn der Strom ein- und ausgeschaltet wird. Wird aber festgestellt, dass die Bindung nicht mehr besteht, einfach den Bindungsprozess wiederholen.

EIN-Anzeige von SAFE Select

Jedes Mal, wenn der Empfänger eingeschaltet wird, werden die Steuerflächen **zweimal** hin- und herschalten, mit einer kurzen Pause auf der Neutralposition, um das Einschalten von SAFE Select anzuzeigen.

Gas wird nicht aktiviert, wenn sich die Gassteuerung des Senders nicht in der niedrigsten Position befindet. Treten Probleme auf, die Bindungsanweisungen befolgen und die Fehlerbehebung des Senders zu anderen Anweisungen lesen. Bei Bedarf den entsprechenden Horizon Product Support kontaktieren.

Bindungsverfahren/Ausschalten von SAFE Select

WICHTIG: Der mitgelieferte AR636-Empfänger wurde speziell für den Betrieb mit diesem Flugzeug programmiert. Siehe Empfänger-Handbuch für das korrekte Einrichten, falls der Empfänger ersetzt oder in einem anderen Flugzeug verwendet wird.

⚠️ ACHTUNG: Bei der Verwendung eines Futaba®-Senders mit einem Spektrum DSM-Modul muss der Gaskanal umgekehrt und neu gebunden werden. Siehe Handbuch des Spektrum-Moduls zu den Anweisungen für Bindung und Failsafe. Siehe Handbuch des Futaba-Senders zu den Anweisungen für das Umkehren des Gaskanals.

1. Die Sendersteuerungen auf neutral (Flugsteuerungen: Quer-, Höhen- und Seitenruder) oder auf niedrige Positionen (Gas, Gastrimmung) bringen. *
2. Einen Bindungsstecker in den Bindungsanschluss des Empfängers montieren.
3. Das Fluggerät gerade auf seine Räder stellen, dann den Flug-Akku mit dem Geschwindigkeitsregler verbinden. Der Motor gibt eine Reihe von Tönen aus. Die orangefarbene LED für das Binden des Empfängers beginnt, schnell zu blinken.

Den Bindungsstecker zum jetzigen Zeitpunkt NICHT entfernen.

4. Drei Schritte vom Fluggerät/Empfänger weggehen und den Sender in den Bindungsmodus bringen. Siehe Handbuch des Senders für spezifische Bindungsanweisungen.

WICHTIG: Die Senderantenne während des Bindens nicht direkt auf den Empfänger richten.

WICHTIG: Während des Bindens von großen Metallobjekten fern halten.

5. Der Empfänger ist an den Sender gebunden, wenn orangefarbene Licht am Empfänger durchgängig orange leuchtet. Der Geschwindigkeitsregler gibt eine Reihe von Tönen aus. Die Tonfolge zeigt an, dass der Geschwindigkeitsregler bereit ist, vorausgesetzt, Gashebelstellung und Gastrimmung sind niedrig genug, um den Regler zu aktivieren.

6. Den Bindungsstecker vom Bindungsanschluss entfernen.

WICHTIG: Nach dem Binden behält der Empfänger seine Bindung und letzte Einstellung bis diese bewusst geändert werden, selbst wenn der Strom ein- und ausgeschaltet wird. Wird aber festgestellt, dass die Bindung nicht mehr besteht, einfach den Bindungsprozess wiederholen.

AUS-Anzeige von SAFE Select

Jedes Mal, wenn der Empfänger eingeschaltet wird, werden die Steuerflächen **einmal** hin- und herschalten, um das Ausschalten von SAFE Select anzuzeigen.

Gas wird nicht aktiviert, wenn sich die Gassteuerung des Senders nicht in der niedrigsten Position befindet. Treten Probleme auf, die Bindungsanweisungen befolgen und die Fehlerbehebung des Senders zu anderen Anweisungen lesen. Bei Bedarf den entsprechenden Horizon Product Support kontaktieren.

*Failsafe

Verliert der Empfänger die Senderkommunikation, so wird Failsafe aktiviert. Wenn Failsafe aktiviert ist, bringt es den Gaskanal auf seine voreingestellte Failsafe Position (wenig Gas), die bei der Bindung gespeichert wurde. Alle anderen Kanäle bewegen sich zum aktiven Ausrichten des Flugzeugs im Flug.

Einsetzen des Akkus und armeren den Reglers

Auswahl des Akkus

Wir empfehlen den E-flite 2200mAh 14,4V 4S 30C Li-Po Akku (EFLB22004S30). Bitte sehen Sie in der Liste mit dem optionalen Zubehör für andere Akkus nach, der EFL22003S30-Akku kann außerdem verwendet werden. Sollten Sie einen anderen Akku verwenden der nicht gelistet ist, muß dieser in Gewicht, Kapazität und Abmessungen dem des E-flites Akkus entsprechen damit er in den Rumpf passt. Stellen Sie sicher, dass der Akku den empfohlenen Schwerpunkt (CG) erreicht.

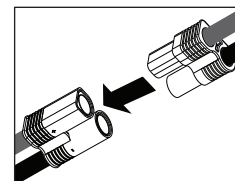
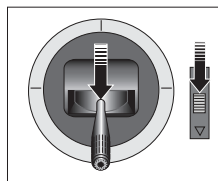
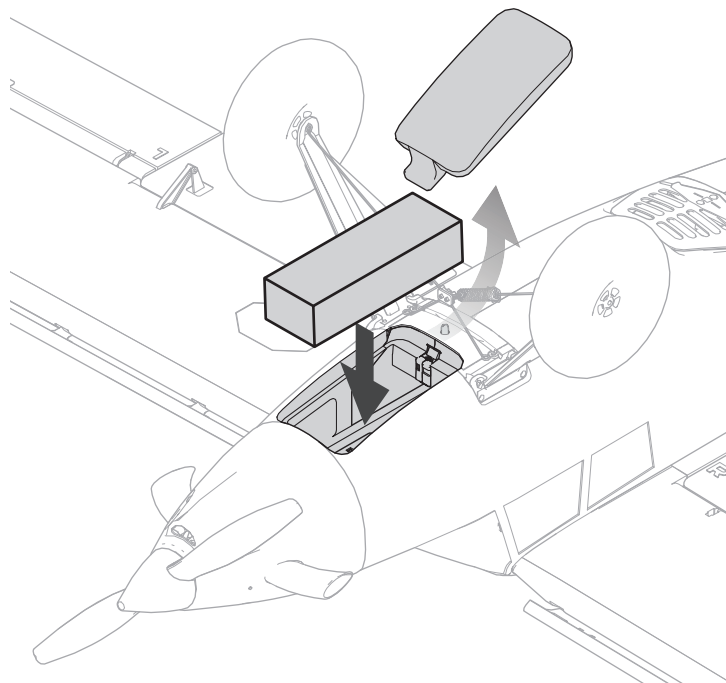
1. Bringen Sie den Gashebel und die Gastrimmung auf die niedrigste Einstellung. Schalten Sie den Sender ein und warten 5 Sekunden.
2. Kleben Sie für zusätzlichen Halt die Flauschseite des Klettbandes auf die Unterseite des Akkus und die Klettseite auf den Boden des Akkufaches.
3. Drücken Sie den Verschlussbutton und nehmen die Akkuklappe ab.
4. Setzen Sie den vollständig geladenen Akku in die Mitte des Akkufaches ein und sichern ihn mit der Klettschleufe.
5. Schließen Sie den Flugakku an den Regler an. (Der Regler ist jetzt armiert).

⚠ ACHTUNG: Halten Sie die Hände stets in gebührendem Abstand vom Propeller. Im scharfgeschalteten Zustand dreht der Motor den Propeller bei jeder Bewegung des Gasknüppels.

6. Das Flugzeug muß vollständig still und aus dem Wind stehen, da sich das System sonst nicht initialisiert.
 - Der Regler spielt eine Tonserie. Der Geschwindigkeitsregler wird eine Reihe von Geräuschen erzeugen. 3 flache Töne gefolgt von 2 aufsteigenden Tönen.
 - Eine LED leuchtet auf dem Empfänger.

Sollte der Regler nach dem Anschluss des Akkus einen Doppelpiepton spielen muß der Akku ersetzt oder geladen werden.

7. Setzen Sie die Akkuklappe wieder auf.



Schalterbelegung von SAFE® Select

Die SAFE® Select-Technologie kann jedem offenen Schalter (2 oder 3 Position) zugewiesen werden, der einen Sender (5–9) auf dem Sender steuert. Nach dem Zuweisen zu einer Taste verfügt das eingeschaltete SAFE Select über die Flexibilität zur Wahl der SAFE-Technologie oder dem AS3X-Modus während des Flugs. Wurde das Fluggerät mit ausgeschaltetem SAFE Select gebunden, so verbleibt es exklusiv im AS3X-Modus.

WICHTIG: Vor dem Zuweisen des gewünschten Schalters sicherstellen, dass der Verfahrensweg für diesen Kanal auf 100 % in beide Richtungen eingestellt ist und das Querruder, Höhenruder, Seitenruder und Gaspedal alle auf hoher Geschwindigkeit mit dem Verfahrensweg bei 100 % stehen.

ACHTUNG: Alle Körperteile von Propeller fernhalten und das Fluggerät bei versehentlicher Gasbetätigung sicher festhalten.

TIPP: SAFE Select kann jedem nicht verwendeten Kanal 5–9 zugewiesen werden. Siehe Handbuch des Senders zu weiteren Informationen zum Zuweisen eines Schalters an einen Kanal.

TIPP: Mit dem Funkkanalmonitor bestätigen, dass die vier Hauptkanäle einen Verfahrensweg von 100 % bei der Zuweisung des Schalters aufweisen.

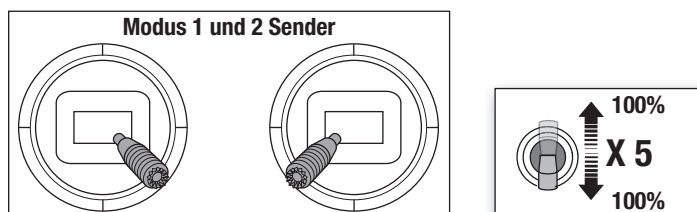
TIPP: Mit dem Funkkanalmonitor sicherstellen, dass der für SAFE Select gedachte Schalter aktiv ist und einen Kanal zwischen 5–9 bewegt und sich zu 100 % in jede Richtung verschiebt.

TIPP: Sicherstellen, dass die vier Hauptkanäle nicht umgekehrt sind, falls Problem beim Zuweisen eines SAFE Select-Schalters auftreten.

Zuweisen eines Schalters

1. Das Fluggerät für die Wahl des eingeschalteten SAFE Select binden. Dadurch kann das System einem Schalter zugewiesen werden.
2. Beide Hebel des Senders in die unteren inneren Ecken halten und den gewünschten Schalter 5-mal (1 Umschalten = vollständig von oben nach unten) hin- und herschalten, um diesen Schalter zuzuweisen. Die Steueroberflächen des Flugzeugs werden sich bewegen und so anzeigen, dass der Schalter ausgewählt wurde.

Falls gewünscht, den Vorgang wiederholen, um einen anderen Schalter zuzuweisen oder den aktuellen Schalter zu deaktivieren.



Horn- und Servoarm-Einstellungen

Die Tabelle rechts zeigt die werksseitigen Einstellungen der Steuerhörner und Servoarme. Das Flugzeug auf den Werkseinstellungen fliegen, ehe Änderungen vorgenommen werden.

HINWEIS: Werden die Werkseinstellungen der Steuerausschläge geändert, so müssen ggf. die AR636-Gewinnwerte angepasst werden. Siehe Spektrum AR636-Handbuch zum Anpassen der Gewinnwerte.

Nach dem Flug können die Gestängepositionen für die gewünschte Steuerreaktion angepasst werden. Siehe Tabelle rechts.

Einstellung	Hörner	Arme
Größerer Ruderausschlag		
Geringerer Ruderausschlag		

Werkseinstellungen	Hörner	Arme
Höhenruder		
Seitenruder		
Querruder		
Klappen		

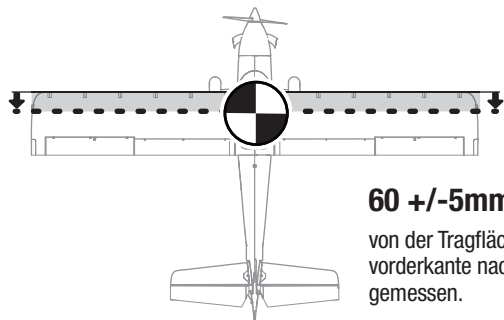
Der Schwerpunkt (CG)

Der Schwerpunkt wird an der Flügelwurzel von der vorderen Kante nach hinten gemessen.

(ohne montierte Vorflügel)

- 60mm +/-5mm von der Vorderkante

HINWEIS: Akkus montieren, aber den Geschwindigkeitsregler während der Prüfung des CGs nicht aktivieren. Dies kann Verletzungen verursachen.



60 +/-5mm

von der Tragflächen-
vorderkante nach hinten
gemessen.

AS3X Kontrolltest

Dieser Test soll sicherstellen, dass das AS3X System einwandfrei funktioniert. Bevor Sie diesen Test durchführen muß das Flugzeug vollständig montiert und der Empfänger an den Sender gebunden sein.

1. Erhöhen Sie das Gas etwas über 25% und gehen Sie dann wieder auf Gas (Motor) aus um das AS3X zu aktivieren.



ACHTUNG: Halten Sie alle Körperteile, Haare oder lose Kleidung weg vom drehenden Propeller, da sich diese Teile verfangen können.

2. Bewegen Sie das gesamte Flugzeug wie abgebildet um sicher zustellen, dass die Ruder sich wie in der Grafik dargestellt bewegen. Sollten sich die Ruder nicht wie dargestellt bewegen, fliegen Sie nicht und lesen in der Anleitung des Empfängers für mehr Informationen nach.

Ist das AS3X System einmal aktiv bewegen sich die Ruderflächen sehr schnell, das ist normal. Das System bleibt solange aktiv bis der Akku getrennt wird.

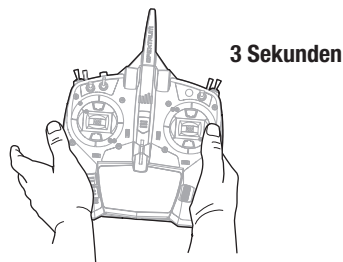
	Flugzeugbewegung	AS3X Reaktion
Höhenruder		
Querruder		
Seitenruder		

Trimmung im Flug

Trimmen Sie das Flugzeug bei Ihrem ersten Flug für Horizontalflug mit Gashebel auf 3/4, Klappen und Fahrwerk eingefahren. Um den Geradeausflug des Flugzeugs zu verbessern, machen Sie kleine Trimmkorrekturen mit den Trimmaltern Ihres Senders.

Nach erfolgter Einstellung der Trimmung berühren Sie die Steuerknüppel 3 Sekunden lang nicht. Dadurch erhält der Empfänger die Informationen über die zur Optimierung der AS3X-Leistung geeigneten Einstellungen.

Wenn Sie dies nicht tun, kann die Flugleistung beeinträchtigt werden.



3 Sekunden

Flugtipps und Reparaturen

Vor der Wahl des Flugstandorts die örtlichen Gesetze und Verordnungen konsultieren.

Erste Schritte Vor dem Fliegen einen Reichweitentest für das Funksystem durchführen. Siehe spezifisches Handbuch des Senders zu Informationen zum Reichweitentest. Beim ersten Anschließen des Akkus an das Flugzeug ist AS3X nicht aktiv. Nach dem ersten Gasgeben ist das AS3X-System aktiv und es ist normal, dass die Steuerflächen auf Flugbewegungen reagieren. Bei den ersten Flügen den Sendertimer oder eine Stoppuhr auf 3,5 Minuten einstellen. Den Timer nach dem Fliegen des Modells für längere oder kürzere Flüge anpassen.

Start Das Flugzeug zum Starten in den Wind drehen. Den Sender auf niedrige Geschwindigkeiten einstellen und die Klappen in die Startposition (halbe Position) bringen. Klappen sind nicht erforderlich, aber durch das Absenken werden die Starts verkürzt. Den Gashebel allmählich auf Vollgas stellen und bei Bedarf mit dem Seitenruder auf den Boden steuern, um das Flugzeug gerade zu halten. Lassen Sie das Höhenruder in Neutralstellung, beschleunigen Sie das Flugzeug am Boden und ziehen Sie dann vorsichtig das Höhenruder hoch, um es für den Start zu drehen. Steigen Sie in der Luft in eine komfortable Höhe und bringen Sie die Klappen wieder in die waagerechte Position.

Fliegen Bei den ersten Flügen auf eine gemäßigte Höhe aufsteigen und die Handhabung des Flugzeugs bei frischem Akku üben. In einer sicheren Höhe (ca. 30 Meter [100 Fuß] oder mehr) ein Gefühl für die Langsamflugeistung des Flugzeugs bei ein- und ausgefahrenen Klappen bekommen, bevor Sie Ihren ersten Landeversuch machen müssen. Wenn der Timer abgelaufen ist, das Flugzeug landen lassen. Verringert der Motor zu irgendeinem Zeitpunkt seine Leistung, das Flugzeug unverzüglich landen, um den Akku des Flugzeugs aufzuladen. Siehe Abschnitt zur Niedrigtrennschaltung (LVC) zu weiteren Einzelheiten zur Maximierung von Akku-Leistung und Laufzeit.

Landen Wenn möglich, das Flugzeug gegen den Wind landen lassen. In Windrichtung fliegen und in den Wind drehen, um die Anflugphase zu beginnen. Dabei die Gaszufuhr senken und die Klappen in die Landeposition (vollständig nach unten ausfahren) absenken. Die Klappen machen den Landeanflug steiler und langsamer und ermöglichen eine sanftere Landung. Bei starkem Seitenwind die Klappen nur in die Startposition (Mittelstellung) absenken, was dazu beiträgt, die Geschwindigkeit und eine bessere Richtungskontrolle während der Anflugphase aufrechtzuerhalten.

Während des Anflugs und beim Sinken die Flügel waagrecht und das Flugzeug im Wind halten. Der Anstellwinkel (der Winkel zwischen der Nicklage des Flugzeugs und dem Horizont) sollte konstant bleiben, mit leicht nach oben gerichteter Nase während des Sinkflugs. Da der Anstellwinkel während des Sinkflugs unverändert bleibt, werden Geschwindigkeit und Sinkgeschwindigkeit meist durch kleine Änderungen bei der Gaszufuhr gesteuert. Halten Sie den Gashebel gedrückt, um Geschwindigkeit und Kontrolle während des Abstiegs aufrechtzuerhalten, bis das Flugzeug zum Abfangen bereit ist. Wenn das Flugzeug so weit abgesunken ist, dass der Bodeneffekt eintritt, den Gashebel vollständig absenken, die Nase weiter nach oben ziehen, um die Fluggeschwindigkeit (Abfangen) zu verringern, so dass sich das Flugzeug auf den Rädern absetzt.

Bei der Landung im Gras sollte am besten nach der Landung und während des Rollens das Höhenruder vollständig oben sein, um ein Vornüberkippen zu verhindern.

Tipps für das Fliegen mit SAFE Select

Wenn das Flugzeug im SAFE Select-Modus fliegt, kehrt es in den Horizontalflug zurück, wenn sich die Querruder- und Höhenrudersteuerung auf Neutral befinden. Mit der Querruder- oder Höhenrudersteuerung kann bewirkt werden, dass das Flugzeug sich neigt, steigt oder in einen Sturzflug übergeht. Zudem bestimmt die Intensität mit der Steuerhebel bewegt wird die Fluglage des Flugzeugs. Die volle Kontrolle zu behalten, fordert die voreingestellten Neigungs- und Rollgrenzen des Flugzeugs heraus, führt aber nicht zu einem Überschreiten dieser Winkel.

Beim Fliegen mit SAFE Select wird der Steuerhebel normalerweise in ausgeleierter Position gehalten, bei moderater Eingabe beim Querruder in Kurven. Um mit SAFE Select reibungslos zu fliegen, häufige Steuerungsänderungen vermeiden und das Korrigieren kleinerer Abweichungen möglichst vermeiden. Mit Safe Select geben durchdachte Steuereingaben dem Flugzeug den Befehl, in einem bestimmten Winkel zu fliegen und das Modell nimmt alle Anpassungen vor, um die Fluglage zu halten.

Die Höhen- und Querrudersteuerung auf Neutral stellen, und dann vom SAFE Select-Modus in den AS3X-Modus wechseln. Wird beim Umschalten in den AS3X-Modus die Steuerung nicht neutralisiert, sind die für den SAFE Select-Modus verwendeten Steuereingänge für den AS3X-Modus zu groß und das Flugzeug reagiert sofort.

HINWEIS: Steht ein Absturz unmittelbar bevor, die Gaszufuhr senken und komplett trimmen. Wird dies unterlassen, können zusätzliche Schäden am Flugwerk sowie Schäden am Geschwindigkeitsregler und Motor auftreten.

HINWEIS: Nach einem Absturz immer sicherstellen, dass der Empfänger im Rumpf gesichert ist. Wird der Empfänger ersetzt, den neuen Empfänger in derselben Ausrichtung wie den Originalempfänger montieren, da es ansonsten zu Schäden kommen kann.

HINWEIS: Schäden durch Abstürze werden durch die Garantie nicht gedeckt.

HINWEIS: Das Fluggerät nicht der direkten Sonneneinstrahlung oder heißen, geschlossenen Bereichen, wie einem Fahrzeug, aussetzen, wenn es nicht geflogen wird. Dadurch kann das Fluggerät beschädigt werden.

Niedrigtrennschaltung (LVC) Ist ein Li-Po-Akku bis unter 3 V je Zelle entladen, hält er die Spannung nicht. Der Geschwindigkeitsregler schützt den Flug-Akku mit einer Niedrigtrennschaltung (LVC) vor einer übermäßigen Entladung. Ehe der Akkuladestand zu niedrig fällt, trennt die Niedrigtrennschaltung die Stromzufuhr zum Motor. Die Stromzufuhr zum Motor verringert sich und zeigt an, dass ein Teil der Akku-Leistung für die Flugsteuerung und das sichere Landen reserviert ist.

Den Li-Po-Akku nach dem Gebrauch vom Fluggerät trennen und herausnehmen, um eine Teilentladung zu vermeiden. Den Li-Po-Akku vor dem Lagern etwa bis zur Hälfte aufladen. Beim Lagern darauf achten, dass die Akkuladung nicht unter 3 V pro Zelle fällt. Die LVC verhindert nicht das übermäßige Entladen des Akkus während der Lagerung.

HINWEIS: Das wiederholte Fliegen bis zur LVC kann zu Schäden am Akku führen.

Tipp: Die Akku-Spannung des Fluggeräts vor und nach dem Fliegen mit einem Li-Po-Zellspannungsprüfer (SPMXBC100, separat erhältlich) überwachen.

Oszillation Bei den meisten Flugmanövern sollte das Flugzeug ruhig und normal fliegen, wobei es bei manchen Flugbedingungen zu Oszillation kommen kann (das Flugzeug schaukelt aufgrund von Überkontrolle auf einer Achse vor und zurück). Tritt Oszillation auf, die Fehlerbehebung zu weiteren Informationen lesen.

Reparaturen Dank des EPO-Schaummaterials in diesem Fluggerät können Reparaturen am Schaumstoff mit fast jedem Klebstoff (Heißleim, regulärer CA, Epoxid usw.) durchgeführt werden. Können Bauteile nicht repariert werden, siehe Ersatzteilliste zum Bestellen nach Artikelnummer. Eine Aufführung aller Ersatzteile und optionaler Bauteile findet sich in der Liste am Ende dieser Anleitung.

HINWEIS: Die Verwendung eines CA-Beschleunigers am Flugzeug kann die Farbe beschädigen. Das Flugzeug ERST handhaben, wenn der Beschleuniger vollständig getrocknet ist.

Unterschiede zwischen den Modi SAFE Select und AS3X

Dieser Abschnitt ist grundsätzlich präzise, berücksichtigt aber nicht die Fluggeschwindigkeit, den Ladezustand der Batterie und viele andere einschränkende Faktoren.

- Wenn sich der Steuerhebel in Neutralposition befindet, richtet sich das Flugzeug im SAFE Select-Modus selbst aus. Im AS3X-Modus behält das Flugzeug seine aktuelle Position bei, wenn sich der Steuerhebel in Neutralposition befindet.
- Geringfügige Steuereingaben bewegen das Flugzeug im SAFE Select-Modus in eine moderate Wank- bzw. Nicklage, wo es verbleibt, solange der Steuerhebel nicht bewegt wird. Im AS3X-Modus führt eine geringfügige Steuereingaben führt dazu, dass das Modell weiterhin langsam neigt oder rollt, solange der Steuerhebel nicht bewegt wird.
- Im SAFE Select-Modus führt das Halten der vollen Kontrolle dazu, dass sich das Flugzeug bis zu den vorgegebenen Grenzen in die Wank- bzw. Nicklage bewegt und so lange in dieser Lage weiterfliegt, wie der Steuerhebel vollständig ausgeleitet ist. Im AS3X-Modus führt das Halten der vollen Kontrolle dazu, dass sich das Flugzeug in höchstmöglicher Geschwindigkeit in die Wank- bzw. Nicklage bewegt und so lange schnelle Lagenwechsel vollzieht, wie der Steuerhebel vollständig ausgeleitet ist.

PNP Version Empfängerauswahl und Einbau

Der Spektrum AR636-Empfänger wird für dieses Flugzeug empfohlen. Wird ein anderer Empfänger montiert, dann sicherstellen, dass es sich dabei zumindest um einen kompletten 6-Kanal (Sport)-Empfänger handelt. Für die korrekte Montage und Bedienungsanleitung lesen Sie die Anleitung Ihres Empfängers.

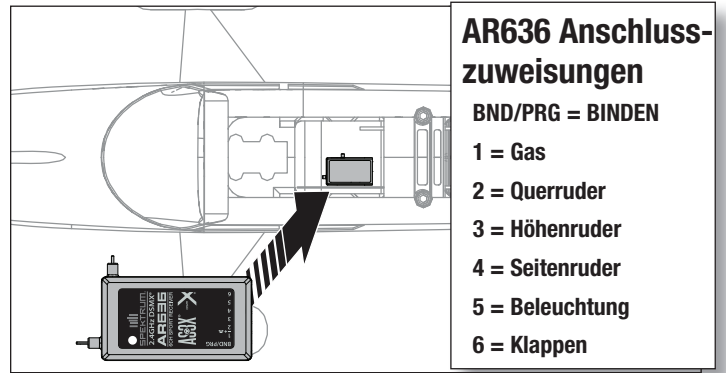
Montage (AR636 abgebildet)

1. Die Abdeckung von der Unterseite des Rumpfs entfernen.
2. Den Empfänger wie abgebildet in Längsrichtung im Rumpf befestigen. Doppelseitiges Servo-Klebeband verwenden.



ACHTUNG: Die falsche Montage des Empfängers kann einen Absturz verursachen.

3. Die entsprechenden Steuerflächen in ihre jeweiligen Anschlüsse auf dem Empfänger einstecken.



AR636 Anschlusszuweisungen

BND/PRG = BINDEN

- 1 = Gas
- 2 = Querruder
- 3 = Höhenruder
- 4 = Seitenruder
- 5 = Beleuchtung
- 6 = Klappen

Nach dem Fliegen

1. Trennen Sie den Flugakku vom Regler/ESC (notwendig zur Sicherheit und Akkuehaltbarkeit).
2. Schalten Sie den Sender aus.
3. Entfernen Sie den Flugakku aus dem Flugzeug.
4. Laden Sie den Flugakku neu auf.

5. Reparieren bzw. ersetzen Sie beschädigte Bauteile.
6. Lagern Sie den Flugakku gesondert vom Flugzeug und überwachen Sie die Aufladung des Akkus.
7. Notieren Sie die Flugbedingungen.

Motorwartung



ACHTUNG: Trennen Sie immer den Flugakku vom Regler/Flugzeug bevor Sie Wartungsarbeiten am Motor durchführen.

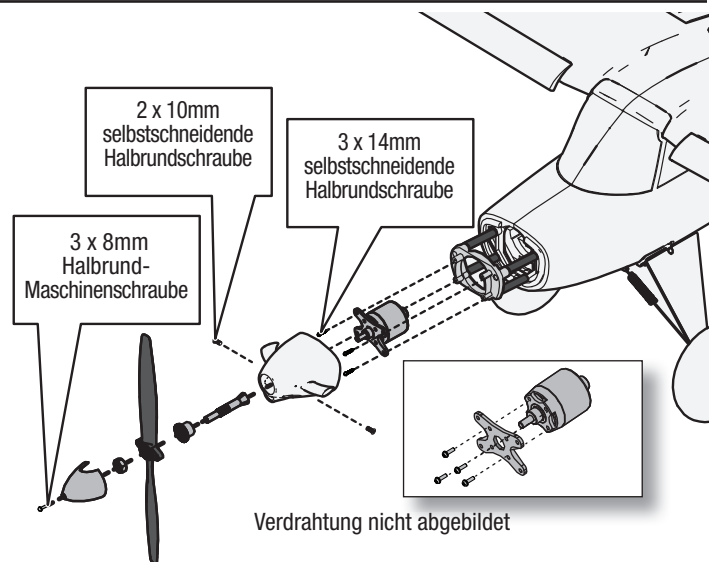
Demontage

1. Entfernen Sie die Spinnerschraube und den Spinner von der Propellerwelle.
2. Entfernen Sie mit einem Schraubenschlüssel die Spinnermutter.
3. Entfernen Sie den Propeller, das Spinnerrückteil und Mitnehmer von der Motorwelle.
4. Die zwei Schrauben von den Seiten der Verkleidung entfernen und entfernen die Motorhaube vom Rumpf.
5. Entfernen Sie die vier Schrauben und den Motor mit dem X Halter vom Rumpf.
6. Entfernen Sie die 4 3 x 6mm Schrauben und den Motor vom X Halter.

Montage

Demontieren Sie in umgekehrter Reihenfolge.

- Die Aderfarben des Motors korrekt mit den Kabeln des Geschwindigkeitsreglers ausrichten.
- Den Propeller mit der Lackierung vom Motor wegweisend montieren.
- Die Spinnerschraube zum Sichern des Propellers festziehen.



Leitfaden zur Problemlösung AS3X

Problem	Mögliche Ursache	Lösung
Schwingungen	Beschädigter Propeller oder Spinner	Ersetzen Sie den Propeller oder Spinner
	Propeller nicht gewuchtet	Wuchten Sie den Propeller. Für mehr Informationen sehen Sie bitte John Redmanns Propeller Balancing Video unter www.horizonhobby.com
	Motorvibrationen	Ersetzen Sie alle Teile und ziehen Befestigungen wie benötigt an
	Empfänger lose	Richten Sie den Empfänger im Rumpf aus und befestigen Sie ihn
	Lose Komponenten	Befestigen und sichern Sie die Teile (Servo Arm, Gestänge, Servohorn und Ruder)
	Teile verschlissen	Ersetzen Sie abgenutzte Teile (speziell Propeller, Spinner oder Servos)
Inkonsistente Flugleistung	Servoaussetzer	Ersetzen Sie das Servo
	Trimmung ist nicht neutral	Sollten Sie mehr als 8 Klicks benötigen, justieren Sie den Gabelkopf mechanisch
	Sub-Trim ist nicht neutral	Sub-Trim Einstellungen sind NICHT zulässig. Justieren Sie den Arm oder Gabelkopf
Falsche Reaktionen auf die AS3X Ruderkontrolle	Flugzeug stand nicht 5 Sekunden vollkommen still nach Anschluss des Akkus	Bringen Sie den Gashebel auf die niedrigste Position. Trennen Sie den Akku, schließen ihn wieder an und lassen das Flugzeug für 5 Sekunden vollkommen still stehen
	Falsche Einstellungen in den Empfänger, der kann einen Absturz verursachen	Fliegen Sie NICHT. Korrigieren Sie die Einstellungen (bitte lesen Sie dazu in der Empfängeranleitung nach) und fliegen dann

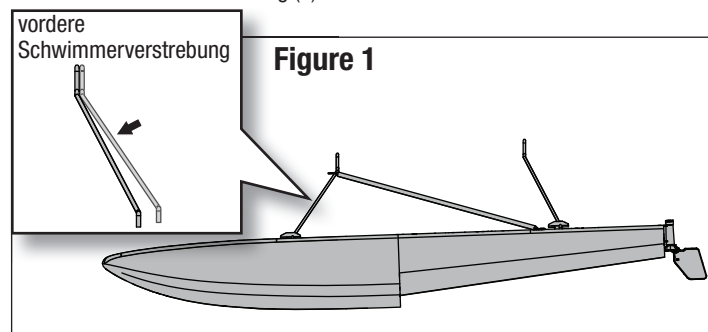
Leitfaden zur Problemlösung

Problem	Mögliche Ursache	Lösung
Das Fluggerät reagiert nicht auf Gas-eingaben, aber auf andere Steuerungen	Das Gas befindet sich nicht im Leerlauf, und/oder die Gastrimmung ist zu hoch	Steuerungen mit Gassteuerknüppel und Gastrimmung auf niedrigste Einstellung zurücksetzen
	Gas-Servoweg ist niedriger als 100%	Sicherstellen, das der Gas-Servoweg 100% oder mehr beträgt
	Gaskanal ist reversiert (umgedreht)	Reversieren (drehen) Sie den Gaskanal am Sender
	Motor ist vom Regler getrennt	Stellen Sie sicher dass der Motor am Regler angeschlossen ist
Zusätzliches Propellergeräusch oder zusätzliche Schwingung	Propeller und Spinner, Aufnahme oder Motor beschädigt	Beschädigte Teile austauschen
	Propeller läuft unrund	Wuchten oder ersetzen Sie den Propeller
	Propellermutter ist zu lose	Ziehen Sie die Propellermutter an
Verringerte Flugzeit oder untermotorisiertes Fluggerät	Ladestatus des Flugakkus ist niedrig	Flugakku vollständig neu aufladen
	Propeller umgekehrt eingebaut	Propeller mit Nummern nach vorne weisend einbauen
	Flugakku beschädigt	Flugakku austauschen und Anweisungen des Flugakkus befolgen
	Flugbedingungen können zu kalt sein	Sicherstellen, dass Akku vor Verwendung warm ist
	Akkukapazität zu gering für die Flugbedingungen	Ersetzen Sie den Akku mit einem größerer Kapazität
Das Fluggerät lässt sich (während der Bindung) nicht an den Sender binden	Sender steht während des Bindens zu nah am Empfänger	Stellen Sie den Sender etwas weiter vom Empfänger weg Trennen Sie den Flugakku und schließen ihn erneut an
	Fluggerät oder Sender sind zu nahe an einem großen Metallgegenstand	Stellen Sie den Sender weiter weg von den großen metallischen Objekten
	Der Bindestecker steckt nicht ordnungsgemäß im Bindeanschluss	Bindestecker in den Bindeanschluss stecken und Fluggerät an den Sender binden
	Ladestatus des Flugakkus/der Senderbatterie zu gering	Den Flugakku bzw. die Batterie neu aufladen bzw. austauschen
	Bindeschalter oder Knopf wurde während des Bindevorganges nicht lang genug gedrückt gehalten	Schalten Sie den Sender aus und wiederholen den Bindevorgang. Halten Sie den Senderbindebutton / Schalter gedrückt bis der Empfängergebunden ist
Das Fluggerät lässt sich (nach der Bindung) nicht mit dem Sender verbinden	Der Sender ist während des Verbindungsvorgangs zu nahe am Fluggerät	Den eingeschalteten Sender ein paar Fuß vom Fluggerät bewegen, Flugakku vom Flugzeug abklemmen und wieder anschließen
	Fluggerät oder Sender sind zu nahe an einem großen Metallgegenstand	Stellen Sie den Sender weiter weg von den großen metallischen Objekten
	Bindestecker blieb im Bindeanschluss stecken	Sender neu mit Flugzeug binden, und Bindestecker vor dem Einschalten abziehen
	Flugzeug an Speicher von anderem Modell gebunden (nur Model Match Sender)	Richtigen Modellspeicher auf dem Sender wählen
	Ladestatus des Flugakkus/der Senderbatterie zu gering	Den Flugakku bzw. die Batterie neu aufladen bzw. austauschen
	Der Sender wurde möglicherweise an ein anderes Modell gebunden (oder mit anderem DSM-Protokoll)	Binden Sie das Fluggerät an den Sender
Ruder bewegt sich nicht	Beschädigung von Ruder, Stellruderhorn, Anlenkgestänge oder Servo	Beschädigte Teile austauschen oder reparieren und Steuerungen anpassen
	Gestänge beschädigt oder Verbindungen locker	Richtiges Modell neu an den Sender binden oder im Sender wählen
	Sender ist nicht ordnungsgemäß gebunden, oder das falsche Modell wurde gewählt	Richtiges Modell neu an den Sender binden oder im Sender wählen
	Akkuladung ist zu niedrig	Laden Sie den Flugakku vollständig
	Empfängerstromversorgung (BEC) des Reglers ist beschädigt	Ersetzen Sie den Regler
Steuerung reversiert	Sendereinstellungen sind umgekehrt	Steuerrichtungstest durchführen, und die Steuerungen auf dem Sender geeignet anpassen
Motor pulsiert und verliert an Leistung	ESC verwendet als Standardeinstellung sanfte Niederspannungsabschaltung (LVC)	Laden Sie den Flugakku vollständig oder ersetzen den Akku
	Wetterbedingungen u. U. zu kalt	Verschieben Sie den Flug bis es wärmer ist
	Batterie ist alt, leer oder beschädigt	Ersetzen Sie den Akku
	Batteriestromleistung u. U. zu schwach	Verwenden Sie den empfohlenen Akku

Montage des Modells; (Fortsetzung)

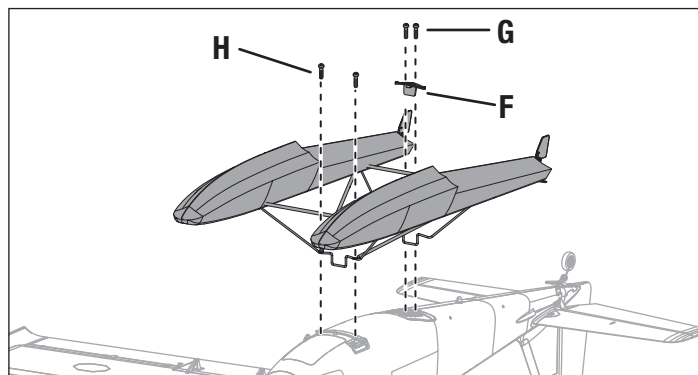
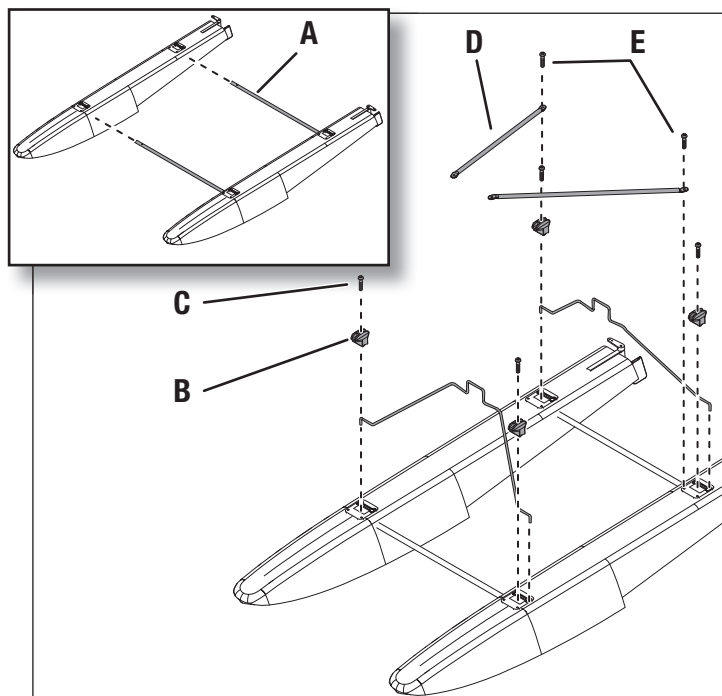
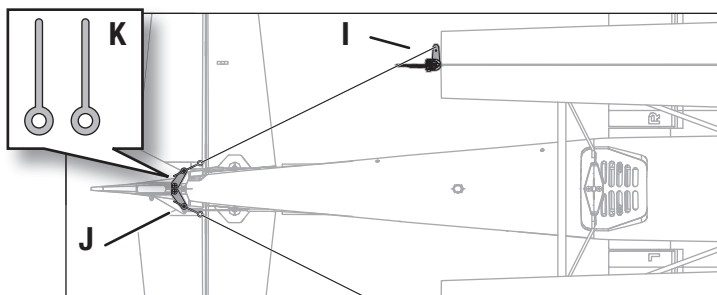
Zusammenbau

1. Montieren Sie die beiden Verbindungsstreben (A) wie abgebildet auf dem linken und rechten Schwimmer.
2. Montieren Sie die vorderen und hinteren Haltestreben und sichern diese mit den 4 Halteblöcken (B) und Schrauben (C). Bitte beachten Sie, dass die vordere Verstrebung etwas mehr angewinkelt ist als die hintere.
3. Montieren Sie die vorderen Stützstreben (D) wie abgebildet mit den Schrauben im Lieferumfang (E).



Montage der Schwimmer

1. Richten Sie die Schwimmer passend zur Unterseite des Flugzeuges aus.
2. Schieben Sie den Bügel in den Rumpf und befestigen Sie diesen mit dem Halter (F) und den beiden Schrauben (G).
3. Befestigen Sie den vorderen Bügel des Schwimmers mit den beiden Schrauben (H).
4. Schließen Sie den Steuerdraht vom Schwimmerruder (I) zu dem Pull/Pull Anschluss (J) mit den beiden Pins aus dem Lieferumfang (K). Demontieren Sie in umgekehrter Reihenfolge.



Starten von Gewässern

Das Starten von Gewässern stellt ein größeres Risiko dar, da Pilotenfehler oder Wasserbedingungen zum Stranden des Flugzeugs führen können. Nur dann von Gewässern starten, wenn mit dem Starten des Flugzeugs vom Boden aus ein hohes Maß an Komfort erreicht wurde. Fliegen Sie niemals in der Nähe von Fischen, Schwimmen oder Spielen.

Vorflug

Sicherstellen, dass die optionalen Schwimmer am Rumpf gesichert sind und das Wasserruder korrekt verbunden ist und mit dem Hauptruder funktioniert, ehe das Flugzeug auf das Wasser gesetzt wird. Einen Bereich zum Fliegen wählen, der keine Wasserströmungen, Salzwasser oder Verschmutzungen aufweist. Im Flugbereich umsehen und auf Bäume, Anlegestellen, Bojen oder andere Hindernisse achten. Immer mit einem Unterstützer fliegen und Schwimmer, Bootsfahrer, Angler und Menschen am Strand vermeiden.

Rollende

Beim Bewegen über das Wasser eine niedrige Gaseinstellungen und das Ruder zum Lenken verwenden. Beim Bewegen über das Wasser das Höhenruder anlegen und aufrecht halten, damit das Wasserruder im Wasser und die Nase der Schwimmer über der Wasseroberfläche bleiben. In den Wind steuern und mit Hundegang gegen den Wind steuern, wenn ein Bewegen bei Seitenwinden erforderlich ist. Beim Drehen oder Steuern mit Hundegang gegen den Wind das Querruder gegen den Wind anlegen, um die Luvseite des Flügels unten zu

halten und ein Umdrehen des Flugzeugs durch den Wind zu vermeiden. Das Höhenruder nicht nach unten bringen, wenn das Flugzeug auf dem Wasser bewegt wird oder während des Starts.

On Step

Wird die Gaszufuhr erhöht und nimmt die Geschwindigkeit zu, so steigen die Schwimmer aus dem Wasser auf und beginnen auf der Wasseroberfläche zu gleiten, wo sie „aufsteigen“. Es gibt zwischen dem Bewegen auf dem Wasser mit niedriger Geschwindigkeit und dem Flug eine Übergangsphase, in der die Schwimmer aufsteigen, sich das Flugzeug aber noch nicht auf der Fluggeschwindigkeit befindet. Dies gilt als Hochgeschwindigkeitsbewegen. Nicht abheben, sobald das Flugzeug Auftrieb bekommt. Eine niedrige bis mittlere Gaszufuhr verwenden und das Höhenruder oben halten, um die Geschwindigkeit auf dem Wasser bei einer Hochgeschwindigkeitsbewegung zu regeln.

Start

Zum Abheben vom Wasser die Klappen in die Startposition bringen, das Höhenruder nach oben halten und das Flugzeug beschleunigen, um es aufsteigen zu lassen. Das hochgezogene Höhenruder zurückbringen, wenn das Flugzeug aufsteigt und die Geschwindigkeit auf die Fluggeschwindigkeit ansteigen lassen. Bewegt sich das Flugzeug mit einer ausreichenden Geschwindigkeit, das Höhenruder leicht zurückbringen, um es für den Start zu drehen.

Starten von Gewässern

Landung

Zum Landen die Klappen in die Landeposition setzen und gegen den Wind nähern. Die Gaszufuhr auf eine niedrige Einstellung bringen, aber während des Anflugs etwas Leistung beibehalten. Während sich das Flugzeug auf den Bodeneffekt einstellt, die Gaszufuhr vollständig reduzieren und das Höhenruder für das Abfangen oben belassen. Das Höhenruder während der Landung und während sich das Flugzeug auf dem Wasser verlangsamt oben halten.



WARNUNG: Versuchen Sie niemals, ein abgestürztes Flugzeug durch Schwimmen zu bergen, es sei denn, Sie sind ausreichend geschult und / oder im Notfall ist eine andere Person verfügbar.



ACHTUNG: Einen Plan für die Bergung bereithalten, falls das Flugzeug strandet. Niemals ein abgestürztes Modell alleine im Wasser finden.



ACHTUNG: Tritt zu irgendeinem Zeitpunkt Wasser während des Fliegens vom Wasser aus in den Rumpf ein, das Flugzeug an Land bringen, die Akku- Abdeckung entfernen und sofort das in den Rumpf eingedrungene Wasser entfernen. Die Akku-Abdeckung über Nacht geöffnet lassen, sodass das Innere trocknen kann, und um Feuchtigkeitsschäden an den elektrischen Bauteilen zu verhindern. Wird dies unterlassen, so kann dies ein Ausfall der elektrischen Bauteile verursachen und einen Absturz zur Folge haben.

TIPP: Eine Angelrute mit einer kräftigen Schnur zum Bergen verwenden. Einen Tennisball an der Angelschnur befestigen und zum Bergen den Ball hinter das gestrandete Flugzeug werfen.

Haftungsbeschränkung

Warnung

Ein ferngesteuertes Modell ist kein Spielzeug. Es kann, wenn es falsch eingesetzt wird, zu erheblichen Verletzungen bei Lebewesen und Beschädigungen an Sachgütern führen. Betreiben Sie Ihr RC-Modell nur auf freien Plätzen und beachten Sie alle Hinweise der Bedienungsanleitung des Modells wie auch der Fernsteuerung.

Garantiezeitraum

Exklusive Garantie Horizon Hobby LLC (Horizon) garantiert, dass dasgekaufte Produkt frei von Material- und Montagefehlern ist. Der Garantiezeitraum entspricht den gesetzlichen Bestimmung des Landes, in dem das Produkt erworben wurde. In Deutschland beträgt der Garantiezeitraum 6 Monate und der Gewährleistungszeitraum 18 Monate nach dem Garantiezeitraum.

Einschränkungen der Garantie

- Die Garantie wird nur dem Erstkäufer (Käufer) gewährt und kann nicht übertragen werden. Der Anspruch des Käufers besteht in der Reparatur oder dem Tausch im Rahmen dieser Garantie. Die Garantie erstreckt sich ausschließlich auf Produkte, die bei einem autorisierten Horizon Händler erworben wurden. Verkäufe an dritte werden von dieser Garantie nicht gedeckt. Garantieansprüche werden nur angenommen, wenn ein gültiger Kaufnachweis erbracht wird. Horizon behält sich das Recht vor, diese Garantiebestimmungen ohne Ankündigung zu ändern oder modifizieren und widerruft dann bestehende Garantiebestimmungen.
- Horizon übernimmt keine Garantie für die Verkaufbarkeit des Produktes, die Fähigkeiten und die Fitness des Verbrauchers für einen bestimmten Einsatzzweck des Produktes. Der Käufer allein ist dafür verantwortlich, zu prüfen, ob das Produkt seinen Fähigkeiten und dem vorgesehenen Einsatzzweck entspricht.
- Ansprüche des Käufers – Es liegt ausschließlich im Ermessen von Horizon, ob das Produkt, bei dem ein Garantiefall festgestellt wurde, repariert oder ausgetauscht wird. Dies sind die exklusiven Ansprüche des Käufers, wenn ein Defekt festgestellt wird.

Horizon behält sich vor, alle eingesetzten Komponenten zu prüfen, die in den Garantiefall einbezogen werden können. Die Entscheidung zur Reparatur oder zum Austausch liegt nur bei Horizon. Die Garantie schließt kosmetische Defekte oder Defekte, hervorgerufen durch höhere Gewalt, falsche Behandlung des Produktes, falscher Einsatz des Produktes, kommerziellen Einsatz oder Modifikationen irgendwelcher Art aus.

Die Garantie schließt Schäden, die durch falschen Einbau, falsche Handhabung, Unfälle, Betrieb, Service oder Reparaturversuche, die nicht von Horizon ausgeführt wurden aus.

Ausgeschlossen sind auch Fälle die bedingt durch (vii) eine Nutzung sind, die gegen geltendes Recht, Gesetze oder Regularien verstoßen haben. Rücksendungen durch den Käufer direkt an Horizon oder eine seiner Landesvertretung bedürfen der Schriftform.

Schadensbeschränkung

Horizon ist nicht für direkte oder indirekte Folgeschäden, Einkommensausfälle oder kommerzielle Verluste, die in irgendeinem Zusammenhang mit dem Produkt stehen verantwortlich, unabhängig ob ein Anspruch im Zusammenhang mit einem Vertrag, der Garantie oder der Gewährleistung erhoben werden. Horizon wird darüber hinaus keine Ansprüche aus einem Garantiefall akzeptieren, die über den individuellen Wert des Produktes hinaus gehen. Horizon hat keinen Einfluss auf den Einbau, die Verwendung oder die Wartung des Produktes oder etwaiger Produktkombinationen, die vom Käufer gewählt werden. Horizon übernimmt keine Garantie und akzeptiert keine Ansprüche für in der Folge auftretende Verletzungen oder Beschädigungen. Mit der Verwendung und dem Einbau des Produktes akzeptiert der Käufer alle aufgeführten Garantiebestimmungen ohne Einschränkungen und Vorbehalte.

Wenn Sie als Käufer nicht bereit sind, diese Bestimmungen im Zusammenhang mit der Benutzung des Produktes zu akzeptieren, werden Sie gebeten, das Produkt in unbenutztem Zustand in der Originalverpackung vollständig bei dem Verkäufer zurückzugeben.

Sicherheitshinweise

Dieses ist ein hochwertiges Hobby Produkt und kein Spielzeug. Es muss mit Vorsicht und Umsicht eingesetzt werden und erfordert einige mechanische wie auch mentale Fähigkeiten. Ein Versagen, das Produkt sicher und umsichtig zu betreiben kann zu Verletzungen von Lebewesen und Sachbeschädigungen erheblichen Ausmaßes führen. Dieses Produkt ist nicht für den Gebrauch durch Kinder ohne die Aufsicht eines Erziehungsberechtigten vorgesehen. Die Anleitung enthält Sicherheitshinweise und Vorschriften sowie Hinweise für die Wartung und den Betrieb des Produktes. Es ist unabdingbar, diese Hinweise vor der ersten Inbetriebnahme zu lesen und zu verstehen. Nur so kann der falsche Umgang verhindert und Unfälle mit Verletzungen und Beschädigungen vermieden werden.

Fragen, Hilfe und Reparaturen

Ihr lokaler Fachhändler und die Verkaufsstelle können eine Garantiebeurteilung ohne Rücksprache mit Horizon nicht durchführen. Dies gilt auch für Garantiereparaturen. Deshalb kontaktieren Sie in einem solchen Fall den Händler, der sich mit Horizon kurz schließen wird, um eine sachgerechte Entscheidung zu fällen, die Ihnen schnellst möglich hilft.

Wartung und Reparatur

Muss Ihr Produkt gewartet oder repariert werden, wenden Sie sich entweder an Ihren Fachhändler oder direkt an Horizon.

Rücksendungen / Reparaturen werden nur mit einer von Horizon vergebenen RMA Nummer bearbeitet. Diese Nummer erhalten Sie oder ihr Fachhändler vom technischen Service. Mehr Informationen dazu erhalten Sie im Serviceportal unter www.Horizonhobby.de oder telefonisch bei dem technischen Service von Horizon.

Packen Sie das Produkt sorgfältig ein. Beachten Sie, dass der Originalkarton in der Regel nicht ausreicht, um beim Versand nicht beschädigt zu werden. Verwenden Sie einen Paketdienstleister mit einer Tracking Funktion und Versicherung, da Horizon bis zur Annahme keine Verantwortung für den Versand des Produktes übernimmt. Bitte legen Sie dem Produkt einen Kaufbeleg bei, sowie eine ausführliche Fehlerbeschreibung und eine Liste aller eingesendeten Einzelkomponenten. Weiterhin benötigen wir die vollständige Adresse, eine Telefonnummer für Rückfragen, sowie eine Email Adresse.

Garantie und Reparaturen

Garantieanfragen werden nur bearbeitet, wenn ein Originalkaufbeleg von einem autorisierten Fachhändler beiliegt, aus dem der Käufer und das Kaufdatum hervorgeht. Sollte sich ein Garantiefall bestätigen wird das Produkt repariert oder ersetzt. Diese Entscheidung obliegt einzig Horizon Hobby.

Kostenpflichtige Reparaturen

Liegt eine kostenpflichtige Reparatur vor, erstellen wir einen Kostenvoranschlag, den wir Ihrem Händler übermitteln. Die Reparatur wird erst vorgenommen, wenn wir die Freigabe des Händlers erhalten. Der Preis für die Reparatur ist bei Ihrem Händler zu entrichten. Bei kostenpflichtigen Reparaturen werden mindestens 30 Minuten Werkstattzeit und die Rückversandkosten in Rechnung gestellt. Sollten wir nach 90 Tagen keine Einverständniserklärung zur Reparatur vorliegen haben, behalten wir uns vor, das Produkt zu vernichten oder anderweitig zu verwerten.

ACHTUNG: Kostenpflichtige Reparaturen nehmen wir nur für Elektronik und Motoren vor. Mechanische Reparaturen, besonders bei Hubschraubern und RC-Cars sind extrem aufwendig und müssen deshalb vom Käufer selbst vorgenommen werden.

Garantie und Service Kontaktinformationen

Land des Kauf	Horizon Hobby	Telefon/E-mail Adresse	Adresse
Europäische Union	Horizon Technischer Service	service@horizonhobby.de	Hanskampring 9 D 22885 Barsbüttel, Germany
	Sales: Horizon Hobby GmbH	+49 (0) 4121 2655 100	

Konformitätshinweise für die Europäische Union

EU Konformitätserklärung



EFL15275 Turbo Timber 1.5M PNP; Horizon LLC erklärt hiermit, dass dieses Produkt konform zu den essentiellen Anforderungen der EMC Direktive ist.

EFL15250 Turbo Timber 1.5M BNF BASIC; Horizon LLC erklärt hiermit, dass dieses Produkt konform zu den essentiellen Anforderungen der RED und EMC Direktive ist.

Eine Kopie der Konformitätserklärung ist online unter folgender Adresse verfügbar :
<http://www.horizonhobby.com/content/support-render-compliance>.

Anweisungen zur Entsorgung von Elektro- und Elektronik-Altgeräten für Benutzer in der Europäischen Union



Dieses Produkt darf nicht zusammen mit anderem Abfall entsorgt werden. Stattdessen ist der Benutzer dafür verantwortlich, unbrauchbare Geräte durch Abgabe bei einer speziellen Sammelstelle für das Recycling von unbrauchbaren elektrischen und elektronischen Geräten zu entsorgen. Die separate Sammlung und das Recycling von unbrauchbaren Geräten zum Zeitpunkt der Entsorgung hilft, natürliche Ressourcen zu bewahren und sicherzustellen, dass Geräte auf eine Weise wiederverwertet werden, bei der die menschliche Gesundheit und die Umwelt geschützt werden. Weitere Informationen dazu, wo Sie unbrauchbare Geräte zum Recycling abgeben können, erhalten Sie bei lokalen Ämtern, bei der Müllabfuhr für Haushaltsmüll sowie dort, wo Sie das Produkt gekauft haben.

REMARQUE

La totalité des instructions, garanties et autres documents est sujette à modification à la seule discrétion d'Horizon Hobby, LLC. Pour obtenir la documentation à jour de ce produit, veuillez consulter le site www.horizonhobby.com ou www.towerhobbies.com et cliquez sur l'onglet de support du produit.

Signification de certains mots :

Les termes suivants servent, dans toute la documentation des produits, à désigner différents niveaux de blessures potentielles lors de l'utilisation de ce produit :

AVERTISSEMENT: Procédures qui, si elles ne sont pas correctement suivies, peuvent entraîner des dégâts matériels, dommages collatéraux et des blessures graves éventuellement un décès OU créer un risque élevé de blessure superficielle.

ATTENTION: Procédures qui, si elles ne sont pas correctement suivies, peuvent entraîner des dégâts matériels ET éventuellement des blessures graves.

REMARQUE: Procédures qui, si elles ne sont pas correctement suivies, peuvent éventuellement entraîner des dégâts matériels ET créent un très faible risque de blessure.



AVERTISSEMENT : Lisez la TOTALITE du manuel d'utilisation afin de vous familiariser avec les caractéristiques du produit avant de le faire fonctionner. Une utilisation incorrecte du produit peut avoir comme résultat un endommagement du produit lui-même, des dégâts matériels voire entraîner des blessures graves.

Ceci est un produit de loisirs perfectionné. Il doit être manipulé avec prudence et bon sens et requiert quelques aptitudes de base à la mécanique. L'incapacité à manipuler ce produit de manière sûre et responsable peut provoquer des blessures ou des dommages au produit ou à d'autres biens. Ce produit n'est pas destiné à être utilisé par des enfants sans la supervision directe d'un adulte. N'essayez pas de modifier ou d'utiliser ce produit avec des composants incompatibles hors des instructions fournies par Horizon Hobby, LLC. Ce manuel comporte des instructions de sécurité, de mise en œuvre et d'entretien. Il est capital de lire et de respecter toutes les instructions et avertissements du manuel avant l'assemblage, le réglage ou l'utilisation afin de le manipuler correctement et d'éviter les dommages ou les blessures graves.

14+

14 ans et plus. Ceci n'est pas un jouet.



AVERTISSEMENT CONTRE LES PRODUITS CONTREFAITS: Si un jour vous aviez besoin de remplacer un récepteur Spektrum trouvé dans un produit Horizon Hobby, achetez-le uniquement chez Horizon Hobby, LLC ou chez un revendeur officiel Horizon Hobby, vous serez sûr d'obtenir un produit Spektrum authentique de haute qualité. Horizon Hobby, LLC décline tout service et garantie concernant la compatibilité et les performances des produits contrefaits ou des produits clamant la compatibilité avec Spektrum ou le DSM.

Précautions et avertissements liés à la sécurité








En tant qu'utilisateur de ce produit, il est de votre seule responsabilité de le faire fonctionner d'une manière qui ne mette en danger ni votre personne, ni de tiers et qui ne provoque pas de dégâts au produit lui-même ou à la propriété d'autrui.

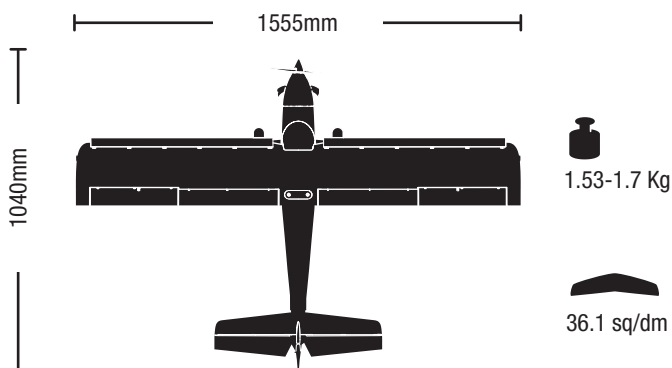
- Gardez une bonne distance de sécurité tout autour de votre modèle, afin d'éviter les collisions ou les blessures. Ce modèle est contrôlé par un signal radio, qui peut être soumis à des interférences provenant de nombreuses sources hors de votre contrôle. Une interférence peut provoquer une perte momentanée de contrôle.
- Faites toujours fonctionner votre modèle dans une zone dégagée, à l'écart de voitures, du trafic et des personnes.
- Respectez toujours scrupuleusement les instructions et les mises en garde concernant ce produit et tous les équipements optionnels/complémentaires (chargeurs, packs de batteries rechargeables, etc.) que vous utilisez.
- Tenez tous les produits chimiques, les petites pièces et les composants électroniques, hors de portée des enfants.
- Évitez toujours d'exposer à l'eau tout équipement non spécifiquement conçu et protégé à cet effet. L'humidité endommage les composants électroniques.
- Ne léchez ni ne mettez jamais en bouche quelque partie de votre modèle que ce soit - risque de blessures graves voire de danger de mort.
- Ne faites jamais fonctionner votre modèle lorsque les batteries de l'émetteur sont faibles.
- Gardez toujours l'aéronef à vue et gardez-en toujours le contrôle.
- Utilisez toujours des batteries complètement chargées.
- Gardez toujours l'émetteur en marche lorsque l'aéronef est en marche.
- Enlevez toujours les batteries avant démontage.
- Veillez toujours à ce que les pièces en mouvement soient propres.
- Veillez toujours à ce que toutes les pièces soient sèches.
- Laissez toujours le temps aux pièces de refroidir avant de les toucher.
- Enlevez toujours les batteries après utilisation.
- Assurez-vous toujours que la sécurité (failsafe) est configurée correctement avant de voler.
- Ne faites jamais voler un aéronef dont le câblage est endommagé.
- N'entrez jamais en contact avec des pièces en mouvement.

Guide de démarrage rapide

Paramètres émetteur	Programmez votre émetteur à partir du tableau de paramétrage de l'émetteur		
Double-débattements	Grands débattements	Petits débattements	
	Ail	▲33mm ▼33mm	▲25mm ▼25mm
	Prof	22mm	16mm
	Dérive	30mm	20mm
	Volets	Complets ▼=35mm	Demi ▼=20mm
Centre de gravité (CG)	60mm +/-5mm en arrière du bord d'attaque au niveau de l'emplanture de l'aile.		
Réglage du chronomètre	4 minutes		

Caractéristiques

		BNF BASIC	PNP PLUG-N-PLAY
 Moteur: 10BL 800Kv (EFLM17552)		Installé	Installé
 Contrôleur: 50A ESC (EFLA1050)		Installé	Installé
 Servos : Servos à engrenages métalliques de 9 grammes (SPMSA370)		Installé	Installé
 Récepteur: Récepteur Spektrum AR636A 6 voies (SPMAR636A)		Installé	Requis
 Batterie recommandée: 11.1V-14.8V 3S-4S 2200mAh 30C Li-Po (EFLB22003S30 or EFLB22004S30)		Requis	Requis
 Chargeur recommandé: Chargeur équilibreur compatible Li-Po 3S-4S		Requise	Requise
 Émetteur recommandé: Émetteur 6 voies (ou plus) 2,4GHz avec technologie Spektrum DSM2/DSMX et double-débattements.		Requis	Requis



Contenu de la boîte

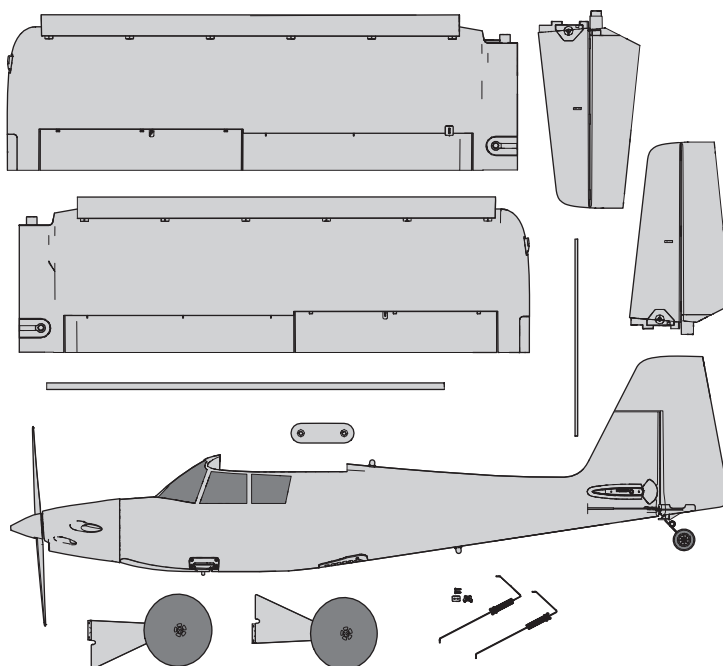


Table des Matières

Technologie SAFE Select.....	37
Liste des opérations à effectuer avant le vol	37
Paramétrage de l'émetteur	37
Assemblage de la maquette.....	38
Affectation (Binding) / Activation et désactivation SAFE Select.....	41
Installation de la batterie et armement du contrôleur	42
Assignation d'un interrupteur pour la technologie SAFE Select	43
Réglages aux guignols et aux palonniers de servos.....	43
Centre de Gravité (CG)	44
Réglage des trims durant le vol.....	44
Conseils de vol et réparations	45
Vol avec SAFE Select	45
Choix et installation du récepteur PNP.....	46
Maintenance d'après vol.....	46
Maintenance de la motorisation	46
Guide de dépannage AS3X.....	46
Guide de dépannage.....	47
Installation des flotteurs (<i>Optionnelle</i>)	48
Pilotage au-dessus de l'eau	48
Garantie et réparations	49
Informations de contact pour garantie et réparation	50
Informations IC	50
Informations de conformité pour l'Union européenne	50
Récepteurs Recommandés	66
Pièces de rechange	67
Pièces optionnelles.....	68

INFORMATIONS D'AFFECTATION DE RÉCEPTEUR

Canaux	6
Fréquence	2 405 – 2 476 MHz
Compatibilité	DSM2 et DSMX

Pour recevoir les mises à jour, les offres spéciales et plus encore, enregistrez votre produit sur <https://www.horizonhobby.com/content/e-flite-rc>

Turbo Timber 1.5m

Technologie SAFE Select (BNF Basic)

La version BNF Basic de cet avion intègre la technologie SAFE Select, qui peut offrir un niveau de protection supplémentaire en vol. Utilisez les instructions suivantes pour activer le système SAFE Select et l'affecter à un commutateur. Lorsque cette option est activée, SAFE Select empêche l'avion de bouger ou de tanguer au-delà de limites prédéterminées, et un auto-nivellement automatique garde l'avion en vol droit et horizontal lorsque les ailerons, les élévateurs et les gouvernes sont au point mort.

SAFE Select est activé ou désactivé pendant le processus de liaison. Lorsque l'avion est lié avec l'option SAFE Select activée, un commutateur peut être affecté pour basculer entre le mode SAFE Select et le mode AS3X. La technologie AS3X® reste active sans limite bancaire ni auto-nivellement chaque fois que SAFE Select est désactivé ou désactivé.

SAFE Select peut être configuré de trois manières différentes;

- SAFE Select Off: Toujours en mode AS3X
- SAFE Select On - aucun commutateur attribué: Toujours en mode SAFE Select
- SAFE Select On avec un commutateur attribué: le commutateur bascule entre le mode de sélection SAFE et le mode AS3X

Liste des opérations à effectuer avant le vol

1. Retirez les éléments de la boîte et inspectez-les.	9. Vérifiez que les tringleries bougent librement.
2. Lisez attentivement le présent manuel d'utilisation.	10. Contrôlez le fonctionnement des volets.
3. Chargez la batterie de vol.	11. Effectuez le test des commandes à l'aide de l'émetteur.
4. Programmez votre émetteur à partir du tableau des paramètres émetteur.	12. Effectuez un essai de la réponse de l'AS3X.
5. Assemblez le modèle complètement.	13. Réglez les tringleries et l'émetteur.
6. Installez la batterie dans le modèle (Une fois la charge terminée).	14. Effectuez un essai de portée radio.
7. Vérifiez la position du centre de gravité (CG).	15. Trouvez un lieu dégagé et sûr.
8. Affectez votre émetteur au modèle.	16. Planifiez votre vol en fonction des conditions du terrain.

Paramétrage de l'émetteur

IMPORTANT: Après avoir programmé votre modèle, effectuez toujours une affectation pour revalider les positions de FailSafe.

Double-débattements

Effectuez les premiers vols en petits débattements. Utilisez le grand débattement à la profondeur pour effectuer les atterrissages.

REMARQUE: Afin d'assurer le fonctionnement optimal du système AS3X, n'utilisez pas des valeurs de débattements inférieures à 50%. Si vous souhaitez utiliser des débattements plus faibles, ajustez manuellement la position de la tringlerie sur les bras de servo.

REMARQUE: Si une oscillation se produit à vitesse élevée, consultez le guide de dépannage pour des informations complémentaires.

Expo

L'expo est réglé à l'usine dans le récepteur. Après les premiers vols, vous pourrez ajuster l'expo à l'émetteur ou consultez le manuel de l'AR636 pour effectuer le réglage.

Paramètre pour émetteur programmable

Débutez la programmation à partir d'une mémoire modèle Avion vierge (Effectuez un reset de la mémoire modèle), puis nommez le modèle.

Paramétrage des double-débattements	Grands 100%
	Petits 70%
Course des servos	100%
DX6i	1. Allez dans SETUP LIST MENU
	2. Dans MODEL TYPE, sélectionnez ACRO
	3. Allez dans ADJUST LIST MENU
	4. Réglez FLAPS (volets) sur: Norm ↓ 0 Flap Elev 0 LAND ↑ 100 Flap Elev 20
DX7S DX8	1. Allez dans les PARAMÈTRES DU SYSTÈME
	2. Dans TYPE DE MODÈLE, sélectionnez AVION
	3. Dans TYPE D'AILE, sélectionnez 1 AIL 1 VOLET
	4. Allez dans la LISTE DES FONCTIONS
	5. Dans SYSTEME DES VOLETS : Sélectionnez VOLETS NORM: 100% VOLET MILIEU: 0% VOLET 16% PROFONDEUR ATTER: -100% VOLET 30% PROFONDEUR VITESSE 2s: Inter = VOLETS
DX6 DX7 DX9 DX10t DX18 iX12	1. Allez dans les PARAMETRES DU SYSTEME (Configuration de modèle) [†]
	2. Dans TYPE DE MODELE sélectionnez AVION
	3. Dans TYPE D'APPAREIL sélectionnez (Configuration du modèle, Type d'aeronef) [†] : 1 AIL 1 VOLET
	4. Allez dans la LISTE DES FONCTIONS (Ajustement du modèle)
	6. Dans SYSTEME DES VOLETS : Sélectionnez Inter : D Pos 0: 100% VOLET Pos 1: 0% VOLET 16% PROFONDEUR Pos 2: -100% VOLET 30% PROFONDEUR VITESSE 2s: Inter = VOLETS

[†] Certaines des terminologies et des localisations des fonctions utilisées dans la programmation iX12 peuvent être légèrement différentes des autres radios Spektrum AirWare™. Les noms donnés entre parenthèses correspondent à la terminologie de programmation iX12. Consultez le manuel de votre émetteur pour obtenir des informations spécifiques sur la programmation de votre émetteur.

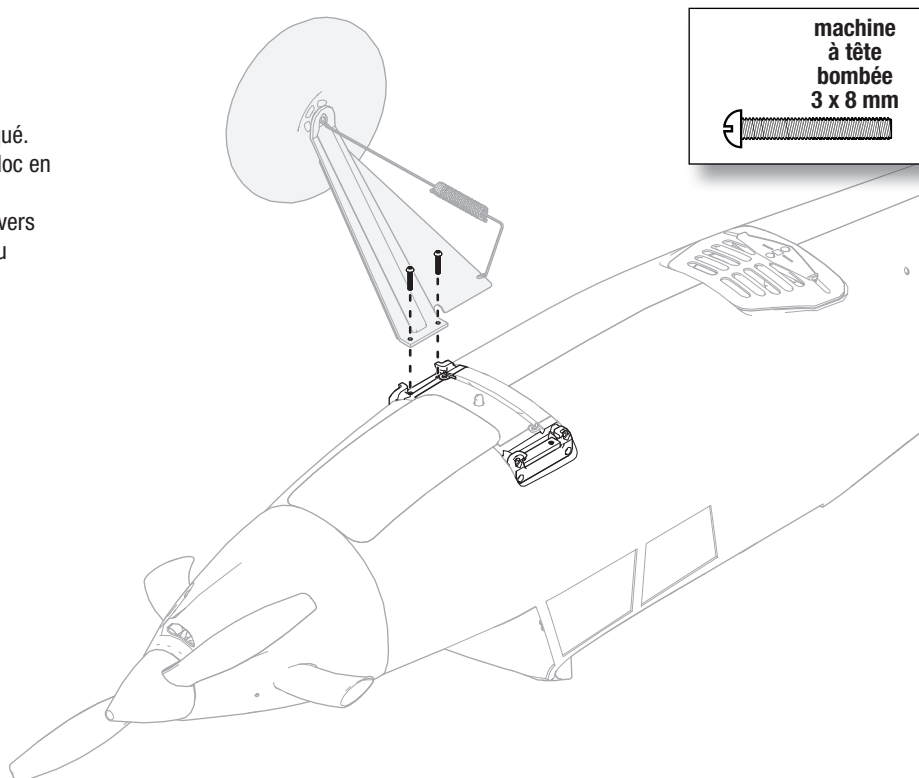
* Les valeurs de programmation du volet peuvent varier légèrement. Pour vos vols initiaux, utilisez les réglages de course des volets recommandés qui sont fournis dans la section Flaps (volets) et ajustez la course du volet à votre préférence pour les vols ultérieurs.

Assemblage de la maquette

Installation du train d'atterrissage

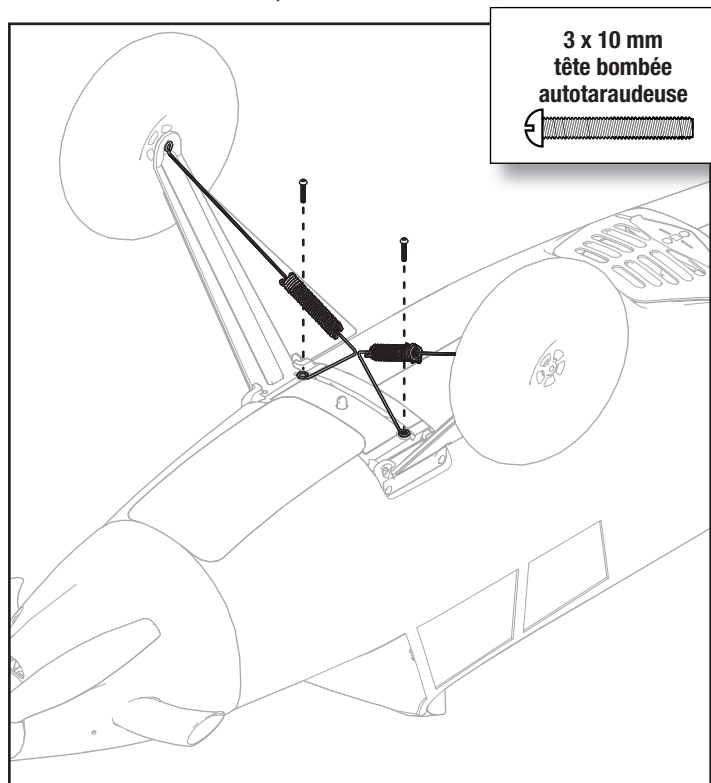
Montez le train d'atterrissage sur le fuselage

1. Insérez un ensemble de train d'atterrissage dans l'encoche située sur le côté du fuselage, comme indiqué. Les pieds du train d'atterrissage sont montés sur le bloc en aluminium, qui peut pivoter dans l'encoche.
2. Vissez les vis mécaniques de 3 x 8 mm incluses à travers le pied du train d'atterrissage, dans les trous filetés du bloc pivot en aluminium.
3. Répétez le processus pour installer l'ensemble du deuxième train d'atterrissage.



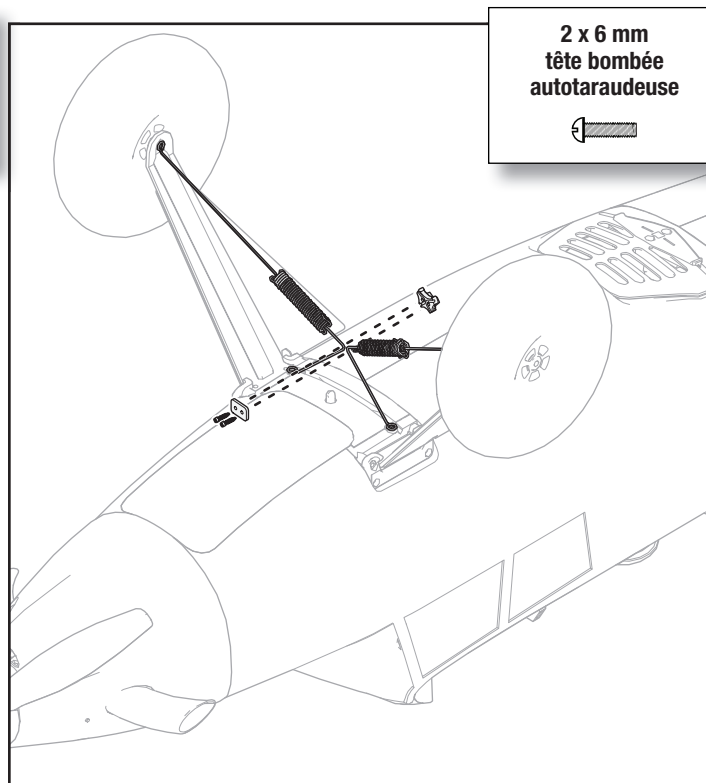
Montez les ensembles de ressorts sur le fuselage

1. Alignez les ensembles de ressorts avec les trous de montage dans le fuselage. Ces ensembles sont montés sur le support en plastique préinstallé dans le fuselage entre les trains d'atterrissage.
2. Installez les deux vis autotaraudeuses de 3 x 10 mm pour maintenir les ensembles de ressorts en place.



Maintenez les ensembles de ressorts ensemble

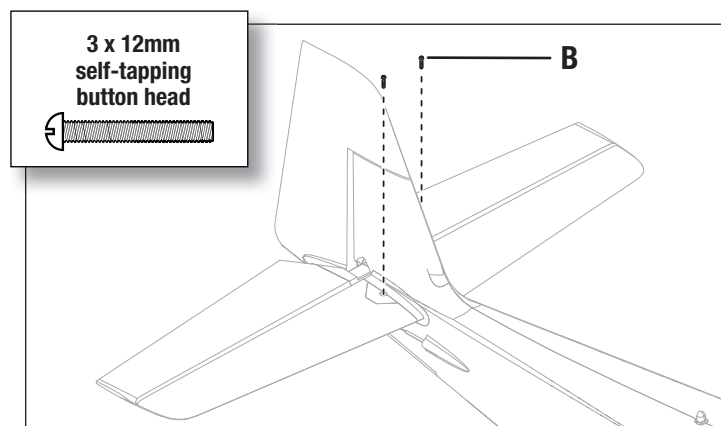
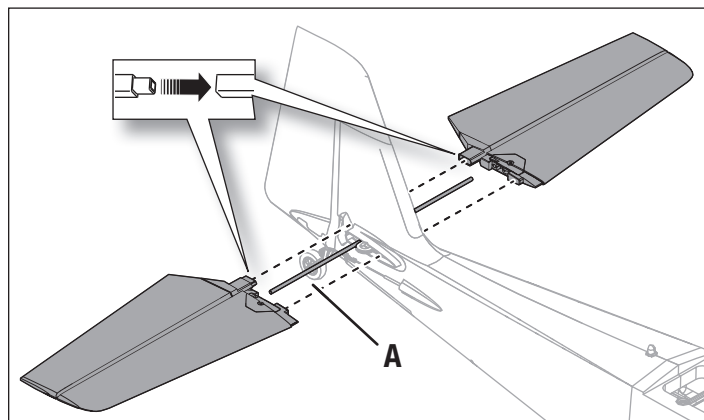
1. Alignez les ensembles de ressorts avec la tige de support
2. Maintenez l'ensemble avec deux vis autotaraudeuses de 2 x 6 mm.



Assemblage du modèle *Suite*

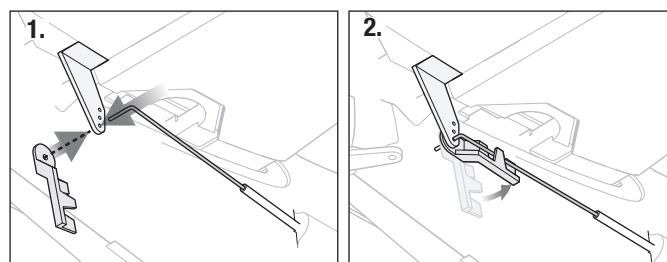
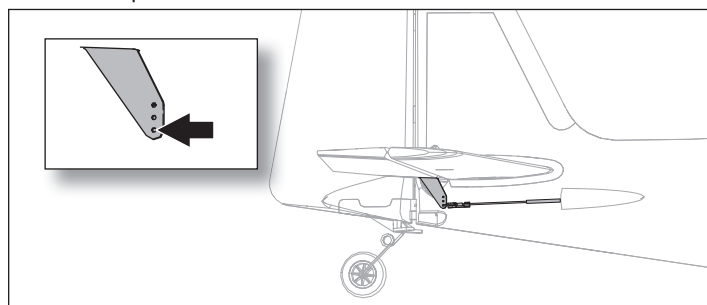
Installation du stabilisateur

1. Glissez la clé de stabilisateur (A) dans le trou situé à l'arrière du fuselage.
2. Installez les deux parties du stabilisateur (gauche et droite) comme sur l'illustration. Assurez-vous que les guignols sont bien orientés vers le bas.
3. Fixez les deux parties du stabilisateur à l'aide des 2 vis fournies (B).
4. Connectez la chape de la commande de profondeur au guignol (consultez les instructions relatives à son positionnement).



Installation du fourreau de tige

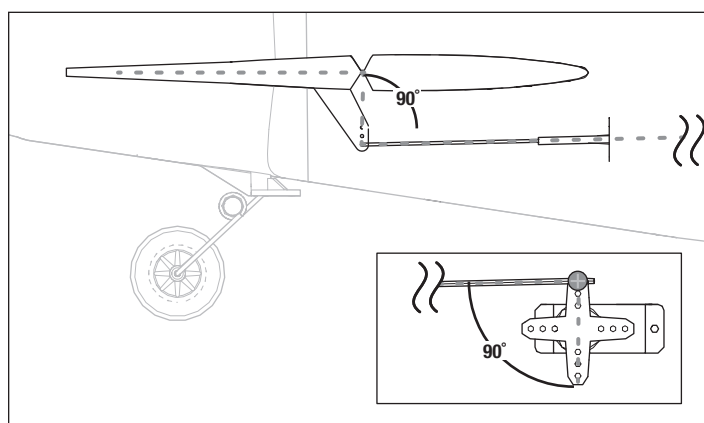
1. Insérez le bout de la barre de liaison avec l'extrémité courbée à 90° dans le renvoi de commande et insérez l'extrémité de la tige dans le trou aménagé dans le fourreau de tige.
2. Faites pivoter le fourreau de tige et appuyez jusqu'au clic indiquant qu'il s'est bien positionné.



Centrage des gouvernes

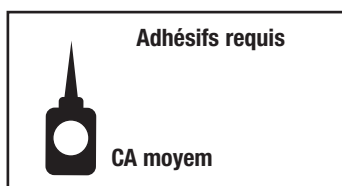
Après le montage, la configuration de l'émetteur et les affectations, vérifiez que les gouvernes sont centrées. Si les gouvernes ne sont pas centrées, centrez-les mécaniquement avant de décoller.

1. Réglez tous les trims et sub-trims sur 0.
2. Si elles ne sont pas centrées, desserrez la vis dans la tringlerie de raccord rapide sur la fourche servo.
3. Faites glisser la tige dans le raccord rapide pour modifier la longueur de la tringlerie entre le bras de servo et le renvoi de commande pour centrer la gouverne.
4. Appliquez un enduit frein filet sur les pas de vis et resserrez la vis pour fixer la tige à la longueur choisie.



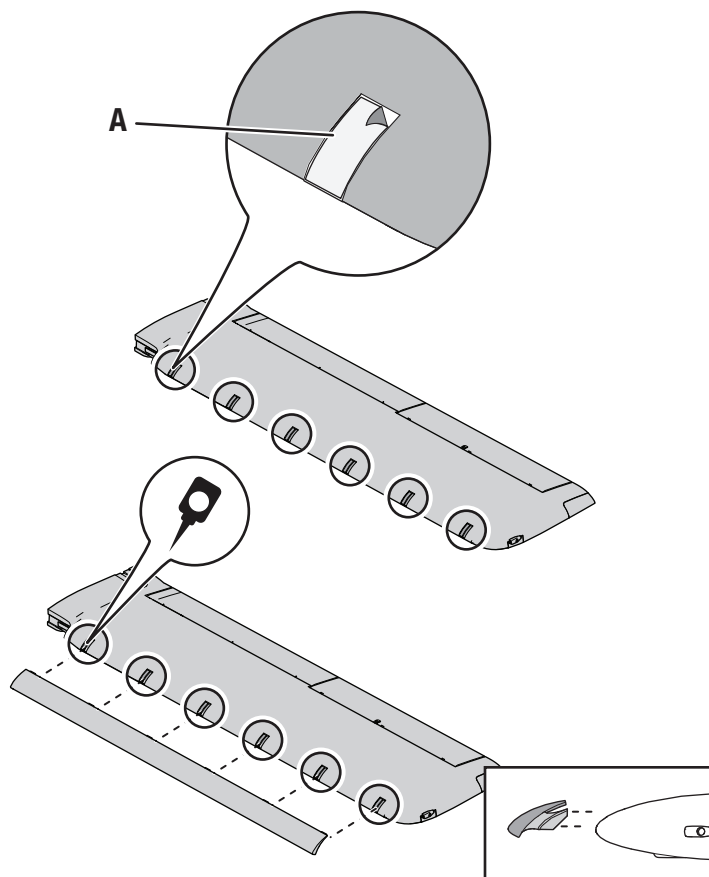
Assemblage du modèle *Suite*

Assemblage de l'aile



Installation des becs de bord d'attaque (Optionnelle)

1. Retirez délicatement les pellicules (A) des encoches destinées aux becs de bord d'attaque sur l'aile.
2. Lorsque l'encoche est exposée, appliquez soigneusement de la colle cyano medium dans chaque encoche.
3. Installez délicatement le bec sur l'aile en orientant la partie arrondie vers l'avant. Assurez-vous que les becs gauche et droit sont installés sur les ailes correspondantes. Les becs et les moitiés d'aile sont marqués des indicateurs "L" (Gauche) et "R" (Droite).



Installation de l'aile

1. Glissez les parties droite et gauche de l'aile ensemble comme sur l'illustration.
2. Attachez les ailes ensemble à l'aide du support d'aile (A).
3. Glissez les prises de servo des volets, éclairage et ailerons (B) dans l'ouverture située sur la partie supérieure du fuselage.

Conseil: Si nécessaire, utilisez une pince à bec fin ou hémostatique pour glisser les prises dans le fuselage.

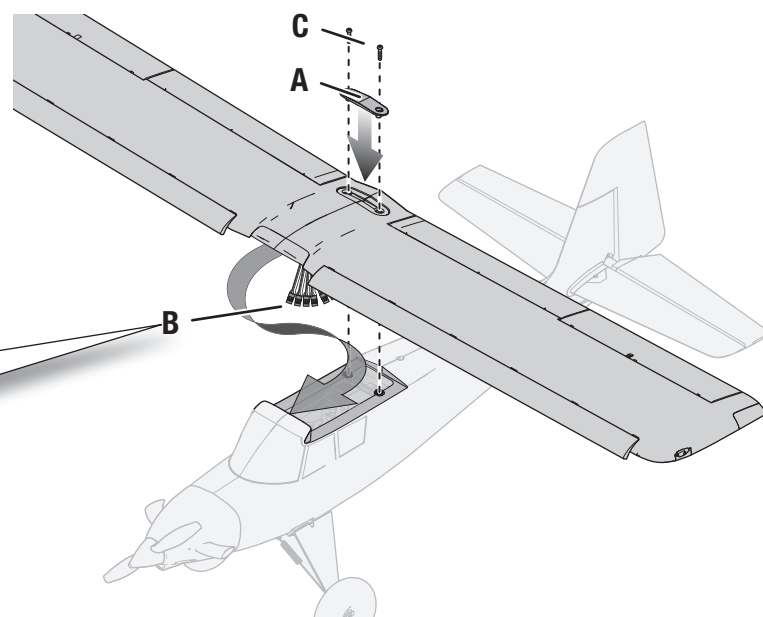
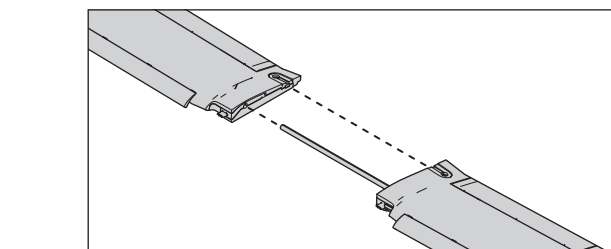
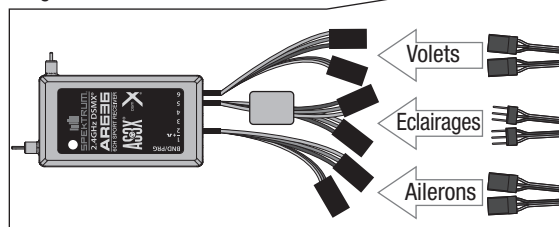
4. Connectez les prises volets et ailerons aux cordons Y sortants correspondants du récepteur. Les servos gauches et droits se connectent indifféremment du côté gauche ou droit du cordon Y.
5. Connectez les deux prises éclairage (avec broches apparentes) au cordon éclairage.

IMPORTANT: Les ailerons doivent être connectées à la voie AILE (Voie #2) du récepteur en utilisant le cordon Y inclus afin d'assurer le fonctionnement optimal de l'AS3X.

6. Alignez l'aile avec le fuselage et fixez-la à l'aide des 2 écrous d'aile en nylon (C).

⚠ ATTENTION : N'écrasez ou n'endommagez PAS les câbles quand vous installez l'aile sur le fuselage.

Le démontage s'effectue en sens inverse.



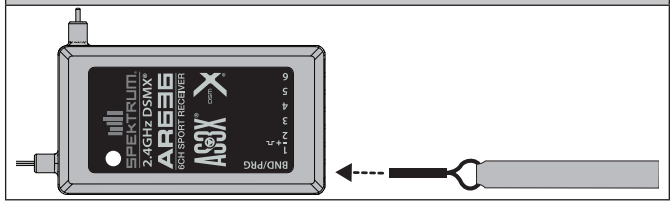
Affectation (Binding) de l'émetteur au récepteur / Activation et désactivation SAFE Select

Ce produit nécessite un émetteur homologué compatible Spektrum DSM2/DSMX. Consultez la liste complète des émetteurs homologués sur www.bindnfly.com.

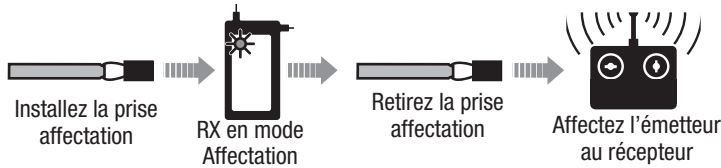
Ce modèle est équipé de la technologie optionnelle SAFE Select, qui peut être activée ou désactivée très simplement avec une affectation spécifique comme décrit ci-dessous.

IMPORTANT: Avant d'affecter un émetteur, lisez la section relative à la programmation de l'émetteur de ce manuel pour que votre émetteur soit bien configuré pour cet avion.

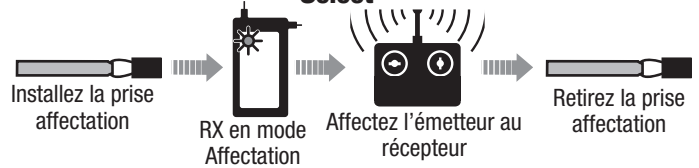
Insertion de la prise affectation



Séquence d'affectation pour l'activation SAFE Select



Séquence d'affectation pour la désactivation SAFE Select



Procédure d'affectation / Activation SAFE Select

IMPORTANT: Le récepteur AR636 inclus a été spécialement programmé pour une utilisation avec cet avion. Référez-vous au manuel du récepteur pour le paramétrage si vous remplacez ou placez ce récepteur dans un autre avion.

ATTENTION: Si vous utilisez un émetteur Futaba avec un module Spektrum DSM, il vous faudra inverser la voie du manche des gaz et effectuer à nouveau l'affectation. Référez-vous au manuel d'utilisation du module Spektrum pour les instructions d'affectation et de sécurité failsafe. Référez-vous au manuel d'utilisation de l'émetteur Futaba pour les instructions d'inversion de voie du manche des gaz.

1. Assurez-vous que les commandes de l'émetteur sont au neutre et que le manche des gaz et son trim sont en position basse.*
2. Insérez la prise affectation dans le port BIND du récepteur.
3. Mettez l'appareil de niveau ses roues, puis raccordez la batterie de vol au variateur ESC. Le moteur émettra une série de sons. La DEL d'affectation orange sur le récepteur se mettra à clignoter rapidement.
4. **Enlevez la prise d'affectation du port d'affectation.**
5. Éloignez-vous de trois pas de l'appareil/du récepteur et allumez l'émetteur en mode d'affectation. Veuillez consulter le manuel de votre émetteur pour des instructions d'affectation spécifiques.

IMPORTANT : ne pointez pas l'antenne de l'émetteur directement en direction du récepteur lors de l'affectation.

IMPORTANT : éloignez-vous des larges objets métalliques lors de l'affectation.

6. Le récepteur est affecté à l'émetteur lorsque la lumière d'affectation orange sur le récepteur passe en orange fixe. Le variateur ESC émettra une série de sons. Les tonalités indiquent que le variateur ESC est armé, à condition que la manette et le trim des gaz soient suffisamment bas pour déclencher l'armement.

IMPORTANT: Une fois affecté, le récepteur va garder les réglages et l'affectation, même après une mise hors tension, jusqu'à ce qu'ils soient modifiés intentionnellement. Cependant, si vous remarquez que l'affectation a été perdue, recommencez simplement la procédure d'affectation.

Indication activation SAFE Select

A chaque mise sous tension du récepteur, les gouvernes bougeront **deux fois** en faisant une petite pause au neutre pour indiquer que la technologie SAFE Select est activée.

Le manche des gaz ne s'armera pas si la commande des gaz de l'émetteur n'est pas mise dans sa position la plus basse. Si vous rencontrez des problèmes, suivez les instructions d'affectation et reportez-vous au guide de dépannage de l'émetteur pour d'autres instructions. En cas de besoin, prenez contact avec le service technique Horizon Hobby.

Procédure d'affectation / Désactivation SAFE Select

IMPORTANT: Le récepteur AR636 inclus a été spécialement programmé pour une utilisation avec cet avion. Référez-vous au manuel du récepteur pour le paramétrage si vous remplacez ou placez ce récepteur dans un autre avion.

ATTENTION: Si vous utilisez un émetteur Futaba avec un module Spektrum DSM, il vous faudra inverser la voie du manche des gaz et effectuer à nouveau l'affectation. Référez-vous au manuel d'utilisation du module Spektrum pour les instructions d'affectation et de sécurité failsafe. Référez-vous au manuel d'utilisation de l'émetteur Futaba pour les instructions d'inversion de voie du manche des gaz.

1. Assurez-vous que les commandes de l'émetteur sont au neutre et que le manche des gaz et son trim sont en position basse.*
2. Insérez la prise affectation dans le port BIND du récepteur.
3. Mettez l'appareil de niveau ses roues, puis raccordez la batterie de vol au variateur ESC. Le moteur émettra une série de sons. La DEL d'affectation orange sur le récepteur se mettra à clignoter rapidement.
NE retirez PAS encore la prise d'affectation.
4. Éloignez-vous de trois pas de l'appareil/du récepteur et allumez l'émetteur en mode d'affectation. Veuillez consulter le manuel de votre émetteur pour des instructions d'affectation spécifiques.

IMPORTANT : ne pointez pas l'antenne de l'émetteur directement en direction du récepteur lors de l'affectation.

IMPORTANT : éloignez-vous des larges objets métalliques lors de l'affectation.

5. Le récepteur est affecté à l'émetteur lorsque la lumière d'affectation orange sur le récepteur passe en orange fixe. Le variateur ESC émettra une série de sons. Les tonalités indiquent que le variateur ESC est armé, à condition que la manette et le trim des gaz soient suffisamment bas pour déclencher l'armement.

6. **Retirez la prise d'affectation du port BIND.**

IMPORTANT: Une fois affecté, le récepteur va garder les réglages et l'affectation, même après une mise hors tension, jusqu'à ce qu'ils soient modifiés intentionnellement. Cependant, si vous remarquez que l'affectation a été perdue, recommencez simplement la procédure d'affectation.

Indication désactivation SAFE Select

A chaque mise sous tension du récepteur, les gouvernes bougeront **une fois** pour indiquer que la technologie SAFE Select est désactivée.

Le manche des gaz ne s'armera pas si la commande des gaz de l'émetteur n'est pas mise dans sa position la plus basse. Si vous rencontrez des problèmes, suivez les instructions d'affectation et reportez-vous au guide de dépannage de l'émetteur pour d'autres instructions. En cas de besoin, prenez contact avec le service technique Horizon Hobby.

*Failsafe

Si le signal entre l'émetteur et le récepteur est interrompu, le failsafe s'activera. Quand il est activé, la voie des gaz se replace à la position pré-réglée de failsafe (gaz bas) qui a été réglée lors de l'affectation. Toutes les autres voies se placent pour stabiliser l'avion en vol.

Installation de la batterie et armement du contrôleur

Choix de la batterie

Nous vous recommandons la batterie Li-Po E-flite 4S 14,4V 2200mA 30C (EFLB22004S30). la batterie EFLB22003S30 peut aussi être utilisée. Consultez la liste des pièces optionnelles pour les batteries recommandées. Si vous utilisez une autre batterie, sa capacité doit avoir approximativement une capacité, des dimensions et une masse équivalentes à la batterie Li-Po E-flite afin de ne pas modifier d'une manière importante le centrage de l'avion.

1. Placez le manche et le trim des gaz en position basse. Mettez l'émetteur sous tension et patientez 5 secondes.
2. Pour plus de sécurité, appliquez le côté doux de la bande auto-agrippante optionnelle sous la batterie et le côté dur sur le support batterie.
3. Appuyez sur le bouton de verrouillage et retirez la trappe batterie.
4. Installez la batterie complètement chargée au centre du compartiment batterie, comme sur l'illustration, et fixez-la avec à l'aide des sangles auto-agrippantes.
5. Connectez la batterie au contrôleur (Le contrôleur est maintenant armé).

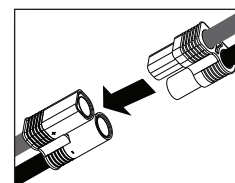
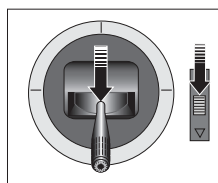
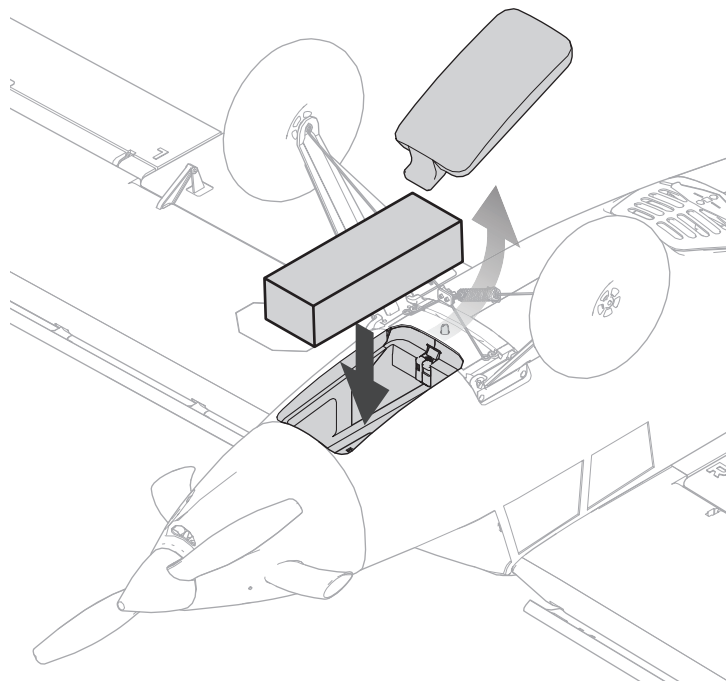
ATTENTION: Tenez toujours vos mains éloignées de l'hélice. Une fois armé, le moteur fait tourner l'hélice en réponse à tout déplacement de la manette des gaz.

6. Gardez l'avion immobile à l'écart du vent sinon le système ne s'initialisera pas.

- Le contrôleur émettra une série de tonalités. Vous entendrez 3 tonalités suivies immédiatement de 2 tonalités ascendantes.
- Une DEL du récepteur va s'allumer.

Si le contrôleur émet un double-bip en continu après la connexion de la batterie, rechargez ou remplacez la batterie.

7. Réinstallez la trappe batterie.



Désignation du commutateur SAFE® Select

La technologie SAFE® Select peut être assignée à n'importe quel commutateur libre (2 ou 3 positions) qui contrôle un canal (5 à 9) sur votre émetteur. Une fois attribué à un commutateur, le mode SAFE Select en position ON (marche) vous permet de choisir la technologie SAFE ou le mode AS3X en vol. Si l'appareil est affecté avec le mode SAFE Select en position OFF (arrêt), l'appareil est uniquement en mode AS3X.

IMPORTANT : Avant d'attribuer le commutateur de votre choix, assurez-vous que la course pour ce canal est réglée sur 100 % dans les deux sens et que l'aileron, la gouverne de profondeur, la gouverne de direction et la manette des gaz sont tous en grand débattement avec une course à 100 %.

ATTENTION : Maintenez toutes les parties du corps loin de l'hélice et gardez l'appareil solidement immobilisé en cas d'activation accidentelle des gaz.

CONSEIL : La technologie SAFE Select peut être assignée à n'importe quel canal 5 à 9 non utilisé. Consultez le manuel de votre émetteur pour obtenir plus d'informations sur l'attribution d'un commutateur à un canal.

CONSEIL : utilisez votre moniteur de canaux radio pour confirmer que les quatre premiers canaux indiquent une course à 100 % lors de l'attribution du commutateur.

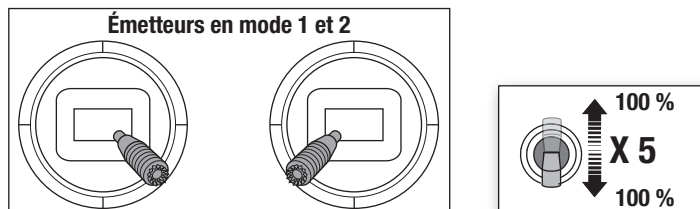
CONSEIL : utilisez le moniteur de canaux pour vous assurer que le commutateur que vous attribuez au mode SAFE Select est actif et qu'il gère un canal entre 5 et 9 avec une course 100 % dans chaque direction.

CONSEIL : assurez-vous que vos quatre canaux principaux ne sont pas inversés si vous rencontrez des problèmes lors de l'assignation d'un commutateur SAFE Select.

Assignment d'un commutateur

1. Affectez l'appareil pour mettre le mode SAFE Select en marche. Cela permettra l'assignation du système à un commutateur.
2. Maintenez les deux manches de l'émetteur vers les coins inférieurs intérieurs et faites basculer 5 fois le commutateur de votre choix (1 bascule = entièrement vers le haut et vers le bas) pour assigner celui-ci. Les gouvernes de l'appareil se déplaceront, indiquant que le commutateur a été sélectionné.

Répétez l'opération pour attribuer un commutateur différent ou pour désactiver le commutateur actuel si vous le souhaitez.



Réglages aux guignols et aux palonniers de servos

Le tableau de droite représente les positions par défaut des tringleries aux guignols et aux palonniers de servos. Effectuez le premier vol avec ces réglages par défaut avant d'effectuer des modifications.

REMARQUE: Si vous modifiez le réglage par défaut des courses, les valeurs de gain de l'AR636 devront être ajustées. Consultez le manuel du Spektrum AR636 pour effectuer l'ajustement des valeurs de gain.

Après le premier vol, vous pourrez ajuster les positions des tringleries pour obtenir la réponse désirée. Consultez le tableau à droite.

Réglage	Renvois	Bras
Augmentation du coude de commande		
Réduction du coude de commande		

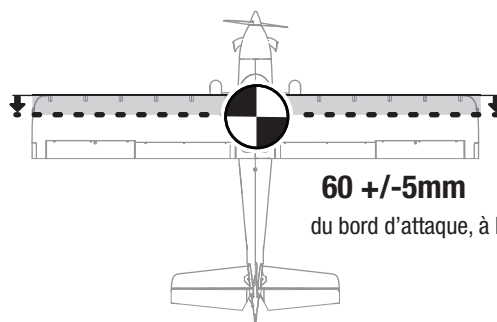
Réglages d'usine	Renvois	Bras
Gouverne de profondeur		
Gouverne de direction		
Ailerons		
Volets		

Centre de Gravité (CG)

L'emplacement du centre de gravité se mesure depuis le bord d'attaque au niveau de l'emplanture de l'aile.

- 60mm +/-5mm vers l'arrière à partir du bord d'attaque (sans becs installés)

REMARQUE : Installez la batterie, mais n'armez pas le variateur ESC en vérifiant le CG. Vous risqueriez de vous blesser.



60 +/-5mm
du bord d'attaque, à la base de l'aile

Essai de la réponse de l'AS3X

Ce test permet de contrôler le fonctionnement correct du système AS3X. Assemblez l'avion et affectez-le à votre émetteur avant d'effectuer ce test.

1. Pour activer l'AS3X, placez le manche des gaz juste au dessus des 25% de sa course, puis replacez-le en position basse.



ATTENTION: Tenir éloigné de l'hélice, des cheveux, vêtements amples, vos mains et autres parties du corps, l'hélice pourrait les attraper.

2. Déplacez l'avion comme sur les illustrations pour contrôler que le système AS3X oriente les gouvernes dans la bonne direction. Si les gouvernes ne répondent pas comme sur les illustrations, ne faites pas voler l'avion. Référez-vous au manuel du récepteur pour des informations complémentaires.

Une fois que le système AS3X est activé, les gouvernes peuvent s'agiter rapidement. Il s'agit d'une réaction normale. L'AS3X restera activé jusqu'à la déconnexion de la batterie.

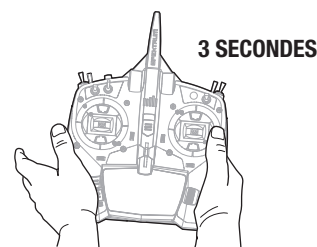
	Mouvement de l'avion	Réaction de l'AS3X
Profondeur		
Ailerons		
Dérive		

Réglage des trims durant le vol

Effectuez le réglage des trims durant le premier vol, placez l'avion en palier à 3/4 des gaz avec les volets et train rentrés. Effectuez de petites corrections aux trims pour obtenir une trajectoire parfaitement rectiligne.

Après avoir effectué le réglage des trims, ne touchez plus les manches durant 3 secondes. Le récepteur enregistre les nouveaux réglages pour optimiser l'efficacité de l'AS3X.

Les qualités de vol seront altérées si cette procédure n'est pas respectée.



Conseils de vol et réparations

Consultez les lois et ordonnances locales avant de choisir un espace de vol.

Avant de commencer Avant de piloter votre appareil, vérifiez la portée du système radio. Consultez le mode d'emploi de votre émetteur pour obtenir des instructions sur les tests de portée. Lorsque vous branchez la batterie à l'avion pour la première fois, l'AS3X ne sera pas activé. Après avoir avancé les gaz pour la première fois, le système AS3X sera activé et il est normal de voir les surfaces de commande réagir au mouvement de l'appareil. Pour vos premiers vols, réglez le minuteur de l'émetteur ou un chronomètre sur 3,5 minutes. Réglez votre minuteur pour des vols plus longs ou plus courts une fois que vous avez piloté la maquette.

Décollage Faites décoller l'appareil face au vent. Configurez votre émetteur sur de petits débattements et abaissez les volets en position de décollage (half, moitié). Les volets ne sont pas requis, mais les décollages seront plus courts en les abaissant.

Augmentez graduellement les gaz jusqu'à la totalité, et dirigez au sol avec la gouverne si nécessaire pour que l'appareil roule en ligne droite constamment. Laissez l'élévateur en position neutre et permettez à l'appareil d'accélérer jusqu'à la vitesse au sol, puis tirez doucement sur l'élévateur afin de tourner pour le décollage. Une fois dans les airs, montez jusqu'à une altitude confortable, puis remettez les volets en position level (à niveau).

Vol Pour vos premiers vols, grimpez à une altitude modérée et habituez-vous à l'appareil avec la batterie encore peu utilisée. Découvrez la performance de l'appareil à faible vitesse avec les volets en position haute et basse à une altitude sûre (environ 30 m (100 pieds) ou plus) avant de devoir effectuer votre premier essai d'atterrissage. Faites atterrir l'appareil à l'expiration du minuteur. Si, à un certain moment, la puissance du moteur diminue, faites immédiatement atterrir l'avion pour recharger la batterie de vol. Reportez-vous à la section Low Voltage Cutoff (Coupeure par tension faible, LVC) pour en savoir plus sur l'optimisation de l'état de la batterie et du temps de fonctionnement.

Atterrissage Planifiez de faire atterrir l'appareil face au vent si possible. Volez dans le sens du vent et tournez face au vent pour commencer l'approche. Diminuez les gaz et abaissez les volets en position d'atterrissage (full down, à fond vers le bas.) Les volets rendront l'approche d'atterrissage plus abrupte et plus lente, et permettront un atterrissage plus doux. Si un vent de travers important est présent, abaissez uniquement les volets en position de décollage (middle, milieu), ce qui aidera à maintenir la vitesse et un meilleur contrôle directionnel durant l'approche.

Pendant l'approche et la descente, maintenez les ailes à l'horizontale et l'appareil face au vent. L'angle d'attaque (l'angle entre l'attitude de tangage et l'horizon) devrait rester constant et le nez légèrement vers le haut durant la descente. Avec l'angle d'attaque maintenu durant la descente, la vitesse et le taux de descente sont essentiellement contrôlés grâce à de petits changements des gaz. Maintenez les gaz pour garder la vitesse et le contrôle durant la descente jusqu'à ce que l'appareil soit prêt pour l'arrondi. À mesure que l'appareil descend dans l'effet de sol, abaissez entièrement les gaz, tirez davantage le nez vers le haut pour éliminer la vitesse aérodynamique (flare, arrondi), et l'appareil se posera sur ses roues.

Si vous atterrissez sur l'herbe, il est recommandé de maintenir l'élévateur entièrement vers le haut après l'atterrissage et lors du roulage au sol pour empêcher que l'avion ne pique de nez. Une fois sur le sol, évitez les virages serrés jusqu'à ce que l'avion ait suffisamment ralenti pour éviter d'érafler les extrémités des ailes.

Conseils de vol en mode SAFE Select

Lors d'un vol au mode SAFE Select, l'appareil retournera en vol à niveau à tout moment lorsque les commandes d'aileron et d'élévateur sont en position neutre. Une commande d'aileron ou d'élévateur fera l'appareil s'incliner, grimper ou plonger, et la quantité de déplacement du manche déterminera l'attitude de vol de l'appareil. En maintenant le contrôle complet, l'appareil sera poussé vers les limites prédéterminées d'inclinaison et de roulis, mais ne dépassera pas ces angles.

Lors d'un vol au mode SAFE Select, il est normal de maintenir le manche de commande en déviation avec une saisie modérée d'aileron en volant à travers un virage. Pour voler correctement avec SAFE Select, évitez d'effectuer des changements de contrôles fréquents et n'essayez pas de corriger les déviations mineures. Avec SAFE Select, le fait de maintenir des saisies délibérées de contrôles commandera à l'appareil de voler à un angle spécifique et la maquette effectuera toutes les corrections pour maintenir cette attitude de vol.

Remettez les commandes d'élévateur et d'aileron en position neutre avant de basculer du mode SAFE Select au mode AS3X. Si vous ne neutralisez pas les commandes en basculant au mode AS3X, les saisies de commandes utilisées pour le mode SAFE Select seront excessives pour le mode AS3X et l'appareil réagira immédiatement.

REMARQUE : En cas de chute imminente, réduisez complètement les gaz et le trim (la compensation). Le non-respect de cette procédure risquerait d'endommager davantage la structure de vol, ainsi que le variateur ESC et le moteur.

REMARQUE : Après un impact, vérifiez toujours que le récepteur est toujours solidement fixé au fuselage. Si vous remplacez le récepteur, installez le nouveau récepteur dans le même sens que celui d'origine, au risque d'endommager l'appareil.

REMARQUE : Les dégâts consécutifs à une chute ne sont pas pris en charge dans le cadre de la garantie.

REMARQUE : Après un vol, ne laissez jamais l'appareil en plein soleil ou dans un lieu fermé et chaud comme dans une voiture. Cela endommagerait l'appareil.

Coupeure par tension faible (LVC) Lorsqu'une batterie Li-Po est déchargée au-dessous de 3 V par cellule, elle ne tiendra pas la charge. Le variateur ESC protège la batterie de vol contre les décharges excessives à l'aide du Low Voltage Cutoff (dispositif de coupeure par tension faible, LVC). Avant que la batterie ne se décharge à un niveau trop faible, ce dispositif coupe l'alimentation électrique fournie au moteur. L'alimentation électrique fournie au moteur diminue pour indiquer qu'une partie de l'alimentation par batterie est réservée au pilote et à l'atterrissage sans risque.

Débranchez et retirez la batterie Li-Po de l'appareil après son utilisation pour éviter qu'elle ne se décharge lentement. Chargez votre batterie Li-Po à environ mi-capacité avant de la ranger. Pendant le stockage de la batterie, assurez-vous que son niveau de charge ne tombe pas en dessous de 3 V par cellule. Le dispositif de coupeure par tension faible (LVC) ne prévient pas les décharges excessives de la batterie en période de stockage.

REMARQUE : Les vols répétés en mode coupeure par tension faible (LVC) endommageront la batterie.

Conseil : Vérifiez la tension de la batterie de votre appareil avant et après un vol en utilisant un contrôleur de tension pour batterie Li-Po (SPMXBC100, vendu séparément).

Oscillation Pour la plupart des manœuvres de vol, l'appareil devrait voler correctement et normalement, mais il est possible que dans certaines conditions de vol, vous pourriez observer une oscillation (l'appareil se balance d'avant en arrière sur un axe en raison d'un excès de contrôle). Si vous constatez un problème d'oscillation, consultez le guide de dépannage pour obtenir de plus amples informations.

Réparations Cet appareil présente pour avantage d'être fabriqué dans un matériau EPO en mousse permettant d'effectuer des réparations avec pratique-ment n'importe quel adhésif (colle thermofusible, colle cyanoacrylate ordinaire, époxy, etc.). Lorsque les pièces ne sont pas réparables, consultez la Liste des références des pièces de rechange pour passer vos commandes. Vous trouverez une liste complète des pièces de rechange et vendues en option à la fin de ce manuel.

REMARQUE : L'utilisation d'un accélérateur de colle cyanoacrylate sur l'appareil peut endommager la peinture. NE manipulez PAS l'appareil tant que l'accélérateur n'est pas complètement sec.

Différences entre les modes SAFE Select et AS3X

Cette section est généralement précise mais ne tient pas compte de la vitesse de vol, de l'état du chargeur de la batterie, et de nombreux autres facteurs limitatifs.

- Dans le mode SAFE Select, l'appareil se mettra à niveau lorsque le manche de commande est neutralisé. Dans le mode AS3X, l'appareil continuera de voler à son attitude actuelle lorsque le manche de commande est neutralisé.
- Dans le mode SAFE Select, le fait de maintenir une petite quantité de contrôle fera la maquette s'incliner ou tanguer à un angle modéré et elle restera à cet angle tant que le manche de commande ne bouge pas. Dans le mode AS3X, le fait de maintenir une petite quantité de contrôle fera la maquette continuer à tanguer ou rouler à un taux lent tant que le manche de commande ne bouge pas.
- Dans le mode SAFE Select, le fait de maintenir le contrôle complet fera l'appareil s'incliner ou tanguer à des limites prédéterminées et l'appareil continuera de voler à cette attitude tant que le manche de commande est entièrement dévié. Dans le mode AS3X, le fait de maintenir le contrôle complet fera l'appareil tanguer ou rouler aussi vite que possible et il continuera de changer rapidement d'attitude tant que le manche de commande est entièrement dévié.

Choix et installation du récepteur PNP

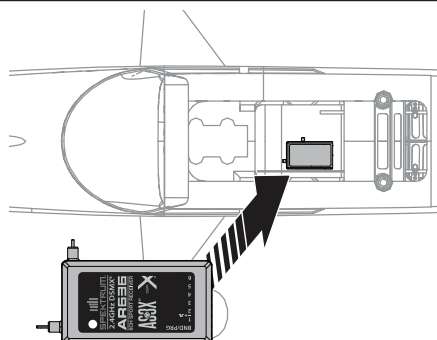
Le récepteur Spektrum AR636 est recommandé pour cet avion. Si vous souhaitez utiliser un autre récepteur, assurez-vous qu'il a bien 6 voies au minimum et une longue portée. Référez-vous au manuel de votre récepteur pour obtenir les instructions sur son installation et son utilisation.

Installation

1. Retirez la verrière du fuselage.
2. Installez le récepteur parallèle à la longueur du fuselage comme sur l'illustration. Utilisez de l'adhésif double-face pour servo.
3. Connectez les servos des gouvernes à leurs ports respectifs sur le récepteur.



ATTENTION: Une mauvaise installation du récepteur peut entraîner un crash.



AR636 assignation de port

- 1 = Gaz
- 2 = Ailerons
- 3 = Profondeur
- 4 = Dérive
- 5 = NA
- 6 = Volets

Maintenance d'après vol

1. Déconnectez la batterie de vol du contrôleur (Impératif pour la sécurité et la durée de vie de la batterie).
2. Mettez l'émetteur hors tension.
3. Retirez la batterie de l'avion.
4. Rechargez la batterie.

5. Réparez ou remplacez les pièces endommagées.
6. Stockez la batterie hors de l'avion et contrôlez régulièrement sa charge.
7. Prenez note des conditions de vol et des résultats du plan de vol à titre de référence pour la planification de vols ultérieurs.

Maintenance de la motorisation



ATTENTION: Déconnectez toujours la batterie avant d'effectuer la maintenance de la motorisation.

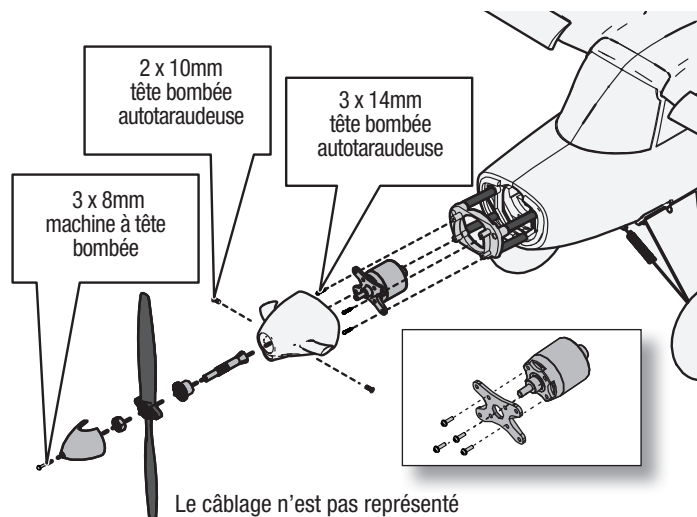
Démontage

1. Retirez la vis du cône et le cône de l'arbre d'hélice.
2. Retirez l'écrou cône avec une clé réglable.
3. Retirez l'hélice, le moyeu arrière et l'arbre d'hélice de l'axe moteur.
4. Retirez les deux vis des côtés du capot et retirez le capotage du fuselage.
5. Retirez les 4 vis et le moteur avec le support moteur en "X" du fuselage.
6. Déconnectez le moteur du contrôleur.
7. Retirez les 4 3 x 6mm vis et le moteur du support en "X".

Assemblage

Assemblage en ordre inverse.

- Alignez correctement les couleurs des câbles du moteur avec ceux du contrôleur.
- Installez l'hélice avec la partie peinte tournée vers l'extérieur du moteur.
- Serrez la vis du cône pour maintenir l'hélice en place.



Guide de dépannage AS3X

Problème	Cause Possible	Solution
Oscillations	Hélice ou cône endommagé	Remplacez l'hélice ou le cône
	Hélice déséquilibrée	Équilibrez l'hélice. Pour plus d'informations, regardez la vidéo de John Redman sur l'équilibrage des hélices sur www.horizonhobby.com
	Vibration du moteur	Remplacez les pièces endommagées et contrôlez le serrage et l'alignement des pièces
	Récepteur mal fixé	Réalignez et refixez le récepteur
	Commandes desserrées	Resserrez et vérifiez l'état des pièces (servos, palonniers, tringleries, guignols et gouvernes)
	Pièces usées	Remplacez les pièces usées (hélice, cône ou servo)
	Fonctionnement erratique du servo	Remplacez le servo
Performances de vol aléatoires	Le trim n'est pas au neutre	Si vous ajustez les trims plus de 8 clics, ajustez la chape pour annuler le trim
	Le sub-trim n'est pas au neutre	L'utilisation des sub-trims n'est pas permise. Réglez directement les tringleries
	L'avion n'est pas resté immobile durant 5 secondes	Avec le manche des gaz à sa position la plus basse, déconnectez la batterie, puis reconnectez-la et maintenez le modèle immobile 5 secondes
Mauvaise réponse de l'appareil aux essais de commande du système AS3X	Paramétrage incorrect des directions des commandes du récepteur, pouvant causer un crash	NE volez PAS. Corrigez les paramètres des commandes (consulter le manuel du récepteur) avant de voler

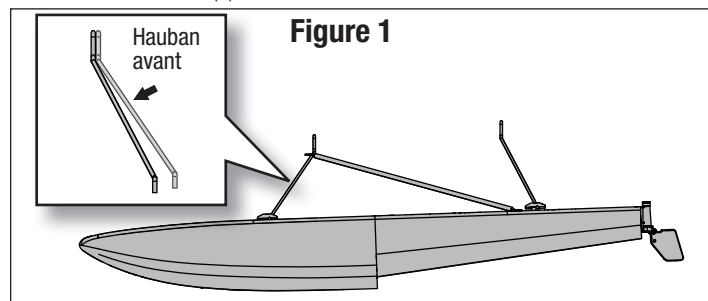
Guide de dépannage

Problème	Cause possible	Solution
L'aéronef ne répond pas aux gaz mais bien aux autres commandes	La manette des gaz n'est pas au ralenti (idle) et/ou le trim des gaz est réglé à une valeur trop élevée	Réinitialisez les commandes avec la manette des gaz et mettez le trim des gaz à sa valeur la plus faible possible
	La course du servo des gaz est inférieure à 100%	Assurez-vous que la course du servo des gaz est de 100%
	La voie des gaz est inversée	Inversez la voie des gaz sur l'émetteur
	Moteur déconnecté de l'ESC	Assurez-vous que le moteur soit bien connecté à l'ESC
L'hélice fait trop de bruit ou vibre trop	Hélice et cône, adaptateur ou moteur endommagé	Remplacez les pièces endommagées
	Déséquilibre de l'hélice	Équilibrez ou remplacez l'hélice
	Ecrou de l'hélice desserré	Resserrez l'écrou
Durée de vol réduite ou manque de puissance de l'aéronef	La charge de la batterie de vol est faible	Rechargez la batterie de vol complètement
	Hélice montée à l'envers	Montez l'hélice correctement les chiffres se trouvant sur le devant
	Batterie de vol endommagée	Remplacez la batterie de vol et Respectez les instructions la concernant
	Il se pourrait que les conditions de vol soient trop froides	Assurez-vous que la batterie est à température avant de l'utiliser
	Capacité de la batterie trop faible pour les conditions de vol	Remplacez la batterie ou utilisez une batterie à plus grande capacité
L'aéronef n'accepte pas l'affectation (au cours de cette procédure) à l'émetteur	Émetteur trop près de l'aéronef au cours de la procédure d'affectation	Déplacez l'émetteur allumé à quelques pas de l'aéronef, déconnectez la batterie de vol de l'aéronef et reconnectez-la
	L'aéronef ou l'émetteur se trouve trop près d'un objet métallique	Déplacez l'aéronef ou l'émetteur à bonne distance de l'objet métallique de forte taille
	La prise d'affectation n'est pas installée correctement dans le port d'affectation	Installez la prise d'affectation dans le port d'affectation et affectez l'aéronef à l'émetteur
	La charge de la batterie de vol/de la batterie de l'émetteur est trop faible	Remplacez/rechargez les batteries
	Bouton d'affectation n'a pas été appuyé suffisamment longtemps durant l'étape d'affectation	Éteignez l'émetteur et répétez le processus d'affectation. Maintenez enfoncé le bouton d'affectation jusqu'à ce que le récepteur soit affecté
(Après affectation), l'aéronef ne veut pas établir la liaison avec l'émetteur	Émetteur trop près de l'aéronef lors du processus d'établissement de liaison	Déplacez l'émetteur allumé à quelques pas de l'aéronef, déconnectez la batterie de vol de l'aéronef et reconnectez-la
	L'aéronef ou l'émetteur se trouve trop près d'un objet de forte taille en métal	Déplacez l'aéronef ou l'émetteur à bonne distance de l'objet métallique de forte taille
	Prise d'affectation incorrectement installée dans le port d'affectation ou dans l'extension du port d'affectation	Procédez à une nouvelle affectation émetteur/aéronef et enlevez la prise d'affectation avant de couper/remettre l'alimentation en route
	Aéronef affecté à une mémoire de modèle différente (radio ModelMatch uniquement)	Sélectionnez la mémoire de modèle correcte sur l'émetteur
	La charge de la batterie de vol/de la batterie de l'émetteur est trop faible	Remplacez/rechargez les batteries
	Il se peut que l'émetteur ait été affecté en utilisant un protocole DSM différent	Affectez l'aéronef à l'émetteur
La gouverne ne bouge pas	La gouverne, bras de commande, tringlerie ou servo endommagé	Remplacez ou réparez les pièces endommagées et réglez les commandes
	Câblage endommagé ou connexions lâches	Contrôlez les câbles et les connexions, connectez ou remplacez si besoin
	L'émetteur n'est pas affecté correctement ou il y a eu sélection d'un modèle incorrect	Effectuez une nouvelle affectation ou sélectionnez le modèle correct dans l'émetteur
	La charge de la batterie de vol est faible	Rechargez complètement la batterie de vol
	Le circuit BEC (Battery Elimination Circuit) du contrôleur (ESC) est endommagé	Remplacez le contrôleur (ESC)
Commandes inversées	Les réglages de l'émetteur sont inversés	Effectuez les essais de direction des commandes et réglez les commandes au niveau de l'émetteur en fonction des résultats
L'alimentation du moteur se fait par impulsions, le moteur perdant ensuite de sa puissance	Le contrôleur (ESC) utilise la coupure progressive de tension basse (LVC) par défaut	Rechargez la batterie de vol ou remplacez la batterie qui ne donne plus les performances prévues
	Il se pourrait que les conditions météorologiques soient trop froides	Reportez le vol jusqu'à ce qu'il fasse plus chaud
	La batterie a vieilli, est usée ou endommagée	Remplacez La batterie
	La capacité de la batterie est peut être trop faible	Utilisez la batterie recommandée

Installation des flotteurs (Optionnelle)

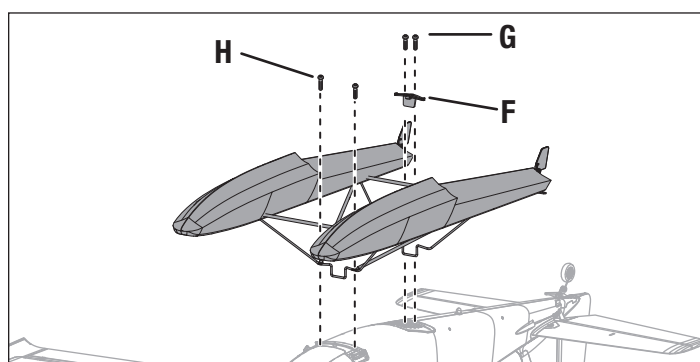
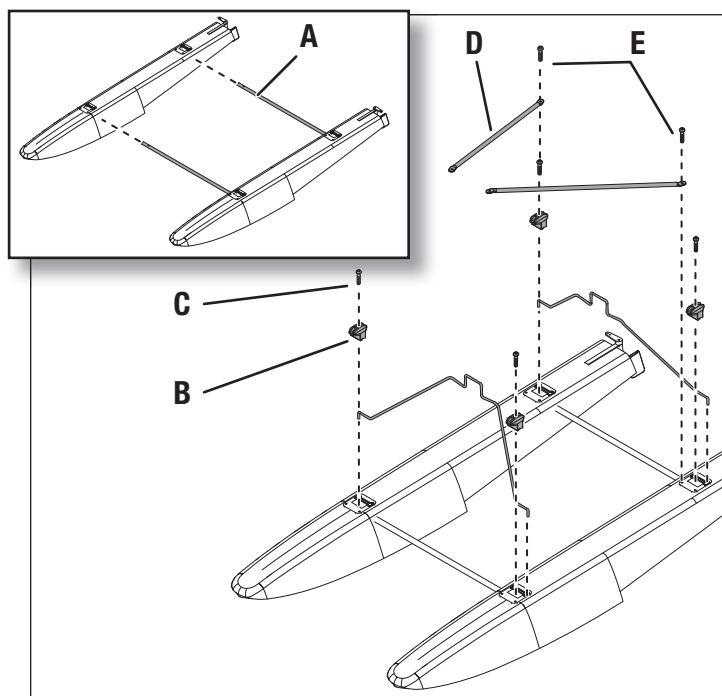
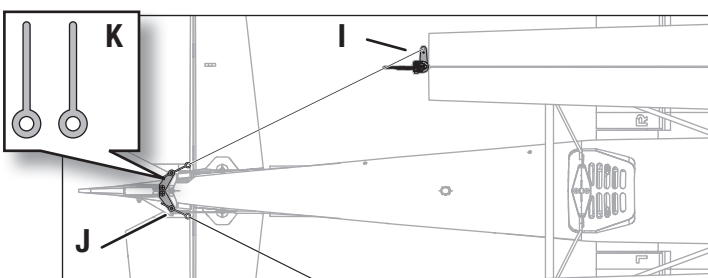
Assemblage des flotteurs

1. Installez les 2 traverses (A) sur les flotteurs gauche et droit comme sur l'illustration.
2. Installez les haubans avant et arrière sur les flotteurs et fixez l'ensemble à l'aide des 4 plaques de flotteurs fournies (B) et les vis 3mm x 25mm (C). L'angle du hauban avant est légèrement plus grand que le hauban arrière (Figure 1).
3. Installez les renforts avant (D) comme sur l'illustration à l'aide des 3mm x 10mm vis fournies (E).



Installation des flotteurs

1. Alignez les flotteurs avec le bas du fuselage et installez-les.
 2. Fixez la partie arrière des flotteurs au fuselage à l'aide des supports (F) et 2 3mm x 10mm vis (G) fournis.
 3. Fixez la partie avant des flotteurs à l'aide des deux vis fournies (H) pour maintenir les renforts avant sous le fuselage.
 4. Attachez les câbles fournis du gouvernail (I) de chaque flotteur à la tringlerie (J) à l'aide des 2 broches incluses (K).
- Le démontage s'effectue en sens inverse.



Pilotage au-dessus de l'eau

Le pilotage au-dessus de l'eau présente un risque accru, car les erreurs de pilotage ou les conditions de l'eau peuvent renverser l'appareil. Pilotez uniquement au-dessus de l'eau lorsque vous avez atteint un certain niveau de confiance de pilotage depuis le sol. Ne volez jamais près de personnes qui pêchent, nagent ou jouent.

Pré-vol

Assurez-vous que les flotteurs facultatifs sont fixés sur le fuselage et que le gouvernail hydraulique est correctement raccordé et fonctionne avec la gouverne principale avant de mettre l'avion dans l'eau. Sélectionnez une zone de vol sans courant d'eau, eau salée ni débris. Regardez bien la zone de vol et faites attention aux arbres, quais, bouées et autres obstacles. Volez toujours en utilisant un repérage et évitez les nageurs, les plaisanciers, les pêcheurs et les personnes sur la plage.

Roulage

Lors du roulage, utilisez des paramètres de gaz faibles et la gouverne pour piloter. Maintenez la profondeur vers le haut lors du roulage pour conserver le gouvernail hydraulique dans l'eau et le nez des flotteurs au-dessus de la surface de l'eau. Pilotez face au vent quand vous tournez, et coupez le vent si un roulage à travers le vent est requis. Lorsque vous tournez ou avancez dans le vent, utilisez l'aileron dans le vent pour maintenir le côté contre le vent de l'aile vers le bas et empêcher au vent de retourner l'avion. Ne maintenez pas la profondeur vers le bas lorsque l'avion est en roulage ou lors du décollage.

Niveau de marche

Lorsque les gaz sont augmentés et que la vitesse accélère, les flotteurs sortent de l'eau et commencent à voler sur la surface de l'eau, atteignant le niveau de marche. Les flotteurs sont sur le niveau de marche à une vitesse inférieure à la vitesse de vol, c'est une phase de transition lorsque l'avion n'a pas encore atteint sa vitesse de vol. On parle de roulage à vitesse élevée. N'essayez pas de décoller dès que l'avion arrive à ce niveau. Utilisez des gaz faibles à moyens et maintenez la profondeur vers le haut pour gérer la vitesse sur l'eau dans un roulage à vitesse élevée.

Décollage

Pour décoller à partir de l'eau, mettez les volets en position de décollage, maintenez la profondeur vers le haut et faites accélérer l'avion pour qu'il atteigne ce niveau. Relâchez la profondeur lorsque l'avion atteint ce niveau et accélérez à la vitesse de vol à plein gaz. Lorsque l'avion se déplace à une vitesse suffisante, tirez doucement sur l'élévateur pour pivoter pour la levée.

Atterrissage

Pour atterrir sur l'eau, mettez les volets en position d'atterrissage et faites une approche face au vent. Réduisez les gaz en position faible, mais gardez de la puissance lors de l'approche. Lorsque l'avion se rapproche du sol, réduisez entièrement les gaz et maintenez l'élévateur vers le haut pour l'évasement. Maintenez la profondeur vers le haut lorsque l'appareil touche la piste et qu'il décélère sur l'eau.

Pilotage au-dessus de l'eau *Suite*

⚠️ AVERTISSEMENT: N'essayez jamais de récupérer un aéronef accidenté en nageant à moins d'avoir reçu une formation suffisante et / ou qu'une autre personne soit disponible pour intervenir en cas d'urgence.

⚠️ ATTENTION: nous vous conseillons de disposer d'un plan de récupération au cas où l'avion s'écrase. N'allez jamais récupérer seul une maquette tombée dans l'eau.

⚠️ ATTENTION: en cas de projections d'eau sur le fuselage pendant un atterrissage sur l'eau, ramenez l'avion sur la rive, ouvrez la trappe de la batterie et éliminez immédiatement l'eau qui a pu pénétrer dans le

fuselage. Laissez la trappe de la batterie ouverte toute la nuit pour laisser sécher l'intérieur et empêcher ainsi que l'humidité n'endommage les composants électriques. Le non-respect de cette procédure pourrait causer la panne des composants et entraîner la chute de l'appareil.

ASTUCE: utilisez une canne à pêche avec une ligne lourde comme outil de récupération. Fixez une balle de tennis à la ligne, et lancez la balle derrière un avion écrasé pour le récupérer.

Garantie et réparations

Durée de la garantie

Garantie exclusive - Horizon Hobby, LLC (Horizon) garantit que le Produit acheté (le « Produit ») sera exempt de défauts matériels et de fabrication à sa date d'achat par l'Acheteur. La durée de garantie correspond aux dispositions légales du pays dans lequel le produit a été acquis. La durée de garantie est de 6 mois et la durée d'obligation de garantie de 18 mois à l'expiration de la période de garantie.

Limitations de la garantie

- (a) La garantie est donnée à l'acheteur initial (« Acheteur ») et n'est pas transférable. Le recours de l'acheteur consiste en la réparation ou en l'échange dans le cadre de cette garantie. La garantie s'applique uniquement aux produits achetés chez un revendeur Horizon agréé. Les ventes faites à des tiers ne sont pas couvertes par cette garantie. Les revendications en garantie seront acceptées sur fourniture d'une preuve d'achat valide unique. Horizon se réserve le droit de modifier les dispositions de la présente garantie sans avis préalable et révoque alors les dispositions de garantie existantes.
- (b) Horizon n'endosse aucune garantie quant à la vendabilité du produit ou aux capacités et à la forme physique de l'utilisateur pour une utilisation donnée du produit. Il est de la seule responsabilité de l'acheteur de vérifier si le produit correspond à ses capacités et à l'utilisation prévue.
- (c) Recours de l'acheteur – Il est de la seule discrétion d'Horizon de déterminer si un produit présentant un cas de garantie sera réparé ou échangé. Ce sont là les recours exclusifs de l'acheteur lorsqu'un défaut est constaté.

Horizon se réserve la possibilité de vérifier tous les éléments utilisés et susceptibles d'être intégrés dans le cas de garantie. La décision de réparer ou de remplacer le produit est du seul ressort d'Horizon. La garantie exclut les défauts esthétiques ou les défauts provoqués par des cas de force majeure, une manipulation incorrecte du produit, une utilisation incorrecte ou commerciale de ce dernier ou encore des modifications de quelque nature qu'elles soient.

La garantie ne couvre pas les dégâts résultant d'un montage ou d'une manipulation erronée, d'accidents ou encore du fonctionnement ainsi que des tentatives d'entretien ou de réparation non effectuées par Horizon. Les retours effectués par le fait de l'acheteur directement à Horizon ou à l'une de ses représentations nationales requièrent une confirmation écrite.

Limitation des dommages

Horizon ne saurait être tenu pour responsable de dommages conséquents directs ou indirects, de pertes de revenus ou de pertes commerciales, liés de quelque manière que ce soit au produit et ce, indépendamment du fait qu'un recours puisse être formulé en relation avec un contrat, la garantie ou l'obligation de garantie. Par ailleurs, Horizon n'acceptera pas de recours issus d'un cas de garantie lorsque ces recours dépassent la valeur unitaire du produit. Horizon n'exerce aucune influence sur le montage, l'utilisation ou la maintenance du produit ou sur d'éventuelles combinaisons de produits choisies par l'acheteur. Horizon ne prend en compte aucune garantie et n'accepte aucun recours pour les blessures ou les dommages pouvant en résulter. Horizon Hobby ne saurait être tenu responsable d'une utilisation ne respectant pas les lois, les règles ou réglementations en vigueur.

En utilisant et en montant le produit, l'acheteur accepte sans restriction ni réserve toutes les dispositions relatives à la garantie figurant dans le présent document. Si vous n'êtes pas prêt, en tant qu'acheteur, à accepter ces dispositions en relation avec l'utilisation du produit, nous vous demandons de restituer au vendeur le produit complet, non utilisé et dans son emballage d'origine.

Indications relatives à la sécurité

Ceci est un produit de loisirs perfectionné et non un jouet. Il doit être utilisé avec précaution et bon sens et nécessite quelques aptitudes mécaniques ainsi que mentales. L'incapacité à utiliser le produit de manière sûre et raisonnable peut provoquer des blessures et des dégâts matériels conséquents. Ce produit n'est pas destiné à être utilisé par des enfants sans la surveillance par un tuteur. La notice d'utilisation contient des indications relatives à la sécurité ainsi que des indications concernant la maintenance et le fonctionnement du produit. Il est absolument indispensable de lire et de comprendre ces indications avant la première mise en service. C'est uniquement ainsi qu'il sera possible d'éviter une manipulation erronée et des accidents entraînant des blessures et des dégâts. Horizon Hobby ne saurait être tenu responsable d'une utilisation ne respectant pas les lois, les règles ou réglementations en vigueur.

Questions, assistance et réparations

Votre revendeur spécialisé local et le point de vente ne peuvent effectuer une estimation d'éligibilité à l'application de la garantie sans avoir consulté Horizon. Cela vaut également pour les réparations sous garantie. Vous voudrez bien, dans un tel cas, contacter le revendeur qui conviendra avec Horizon d'une décision appropriée, destinée à vous aider le plus rapidement possible.

Maintenance et réparation

Si votre produit doit faire l'objet d'une maintenance ou d'une réparation, adressez-vous soit à votre revendeur spécialisé, soit directement à Horizon. Emballez le produit soigneusement. Veuillez noter que le carton d'emballage d'origine ne suffit pas, en règle générale, à protéger le produit des dégâts pouvant survenir pendant le transport. Faites appel à un service de messagerie proposant une fonction de suivi et une assurance, puisque Horizon ne prend aucune responsabilité pour l'expédition du produit jusqu'à sa réception acceptée. Veuillez joindre une preuve d'achat, une description détaillée des défauts ainsi qu'une liste de tous les éléments distincts envoyés. Nous avons de plus besoin d'une adresse complète, d'un numéro de téléphone (pour demander des renseignements) et d'une adresse de courriel.

Garantie et réparations

Les demandes en garantie seront uniquement traitées en présence d'une preuve d'achat originale émanant d'un revendeur spécialisé agréé, sur laquelle figurent le nom de l'acheteur ainsi que la date d'achat. Si le cas de garantie est confirmé, le produit sera réparé. Cette décision relève uniquement d'Horizon Hobby.

Réparations payantes

En cas de réparation payante, nous établissons un devis que nous transmettons à votre revendeur. La réparation sera seulement effectuée après que nous ayons reçu la confirmation du revendeur. Le prix de la réparation devra être acquitté au revendeur. Pour les réparations payantes, nous facturons au minimum 30 minutes de travail en atelier ainsi que les frais de réexpédition. En l'absence d'un accord pour la réparation dans un délai de 90 jours, nous nous réservons la possibilité de détruire le produit ou de l'utiliser autrement.

ATTENTION: Nous n'effectuons de réparations payantes que pour les composants électroniques et les moteurs. Les réparations touchant à la mécanique, en particulier celles des hélicoptères et des voitures radiocommandées, sont extrêmement coûteuses et doivent par conséquent être effectuées par l'acheteur lui-même.

Informations de contact pour garantie et réparation

Pays d'achat	Horizon Hobby	Numéro de téléphone/E-mail	Adresse
Union européenne	Horizon Technischer Service Sales: Horizon Hobby GmbH	service@horizonhobby.eu +49 (0) 4121 2655 100	Hanskampring 9 D 22885 Barsbüttel, Germany

Informations IC

CAN ICES-3 (B)/NMB-3(B)

IC: 6157A-AMRX15

Cet appareil est conforme aux exigences de la norme RSS d'Industrie Canada applicables aux appareils radio exempts de licence. L'exploitation est autorisée aux deux conditions suivantes:

(1) l'appareil ne doit pas produire d'interférences nuisibles, et (2) cet appareil doit accepter toute interférence reçue, y compris des interférences qui peuvent provoquer un fonctionnement non désiré.

Informations de conformité pour l'Union européenne

Déclaration de conformité de l'Union européenne :



EFL15275 Turbo Timber 1.5m PNP; Horizon Hobby, LLC déclare par la présente que ce produit est en conformité avec les exigences essentielles et les autres dispositions de la directive CEM.

EFL15250 Turbo Timber 1.5m BNF BASIC; Horizon Hobby, LLC déclare par la présente que ce produit est en conformité avec les exigences essentielles et les autres dispositions des directives CEM et RED.

Une copie de la déclaration de conformité européenne est disponible à : <http://www.horizonhobby.com/content/support-render-compliance>.

Instructions relatives à l'élimination des D3E pour les utilisateurs résidant dans l'Union européenne



Ce produit ne doit pas être éliminé avec d'autres déchets. Il relève de la responsabilité de l'utilisateur d'éliminer les équipements mis au rebut en les remettant à un point de collecte désigné en vue du recyclage des déchets d'équipements électriques et électroniques. La collecte et le recyclage séparés de vos équipements au moment de leur élimination aideront à préserver les ressources naturelles et à garantir que les déchets seront recyclés de manière à protéger la santé humaine et l'environnement. Pour plus d'informations quant aux lieux de dépôt de vos équipements mis au rebut en vue du recyclage, veuillez contacter votre mairie, votre service de traitement des ordures ménagères ou le magasin dans lequel vous avez acheté le produit.

AVVISO

Tutte le istruzioni, le garanzie e altri documenti pertinenti sono soggetti a modifiche a totale discrezione di Horizon Hobby, LLC. Per una documentazione aggiornata sul prodotto, visitare il sito www.horizonhobby.com o www.towerhobbies.com e fare clic sulla sezione Support del prodotto.

Convenzioni terminologiche

I seguenti termini vengono utilizzati in tutta la documentazione relativa al prodotto per indicare il livello di eventuali danni connessi all'utilizzo di questo prodotto:

AVVERTENZA: indica procedure che, se non debitamente seguite, determinano la probabilità di danni alle cose, danni collaterali e gravi lesioni alle persone OPPURE una probabilità elevata di lesioni superficiali alle persone.

ATTENZIONE: indica procedure che, se non debitamente seguite, determinano la probabilità di danni alle cose E la possibilità di gravi lesioni alle persone.

AVVISO: indica procedure che, se non debitamente seguite, possono determinare la possibilità di danni alle cose E la possibilità minima o nulla di lesioni alle persone.



AVVERTENZA: leggere PER INTERO il manuale di istruzioni per acquisire dimestichezza con le caratteristiche del prodotto prima di metterlo in funzione. Un uso improprio del prodotto può causare danni al prodotto stesso e ai beni personali e provocare gravi lesioni alle persone.

Questo è un prodotto sofisticato per appassionati di modellismo. Deve essere utilizzato in modo attento e responsabile e richiede alcune conoscenze basilari di meccanica. L'uso improprio o irresponsabile di questo prodotto potrebbe causare lesioni alle persone o danni al prodotto stesso o ad altre cose. Questo prodotto non deve essere utilizzato dai bambini senza la diretta supervisione di un adulto. Non utilizzare componenti incompatibili o modificare il prodotto in maniera diversa da quanto riportato nelle istruzioni fornite da Horizon Hobby, LLC. Il presente manuale contiene le istruzioni per la sicurezza, l'uso e la manutenzione del prodotto. È fondamentale leggere e seguire tutte le istruzioni e le avvertenze riportate nel manuale prima di montare, impostare o usare il prodotto per poterlo utilizzare correttamente ed evitare di causare danni alle cose o gravi lesioni alle persone.

14+

Età consigliata:
almeno 14 anni. Questo non è
un giocattolo.



ATTENZIONE AI PRODOTTI CONTRAFFATTI: se è necessario sostituire la ricevente Spektrum in dotazione con uno dei prodotti Horizon Hobby, si raccomanda di acquistare sempre da Horizon Hobby, LLC o da un suo rivenditore autorizzato per essere certi dell'autenticità e della qualità del prodotto Spektrum. Horizon Hobby, LLC nega ogni assistenza tecnica e garanzia a titolo esemplificativo, ma non esaustivo in merito alla compatibilità e alle prestazioni di prodotti contraffatti o dichiarati compatibili con la tecnologia DSM o Spektrum.

Precauzioni e avvertenze sulla sicurezza


L'utente di questo prodotto è l'unico responsabile del corretto utilizzo del medesimo in modo tale da non risultare pericoloso per sé stesso e gli altri e da non danneggiare il prodotto stesso o i beni altrui.

- Mantenere sempre la distanza di sicurezza in tutte le direzioni attorno al modello per evitare collisioni o danni. Questo modello è controllato da un segnale radio soggetto a interferenze provenienti da diverse sorgenti non controllabili dall'utilizzatore. Tali interferenze possono provocare perdite momentanee di controllo.
- Utilizzare sempre il modello in spazi liberi da veicoli, traffico e persone.
- Seguire sempre scrupolosamente le istruzioni e le avvertenze sia per il modello che per tutti gli accessori (caricabatteria, pacchi batteria ricaricabili, ecc.).
- Tenere sempre le sostanze chimiche, le parti piccole e i componenti elettrici fuori dalla portata dei bambini.
- Evitare sempre il contatto con l'acqua di tutte le apparecchiature che non sono state appositamente progettate a tale scopo. L'umidità danneggia i componenti elettronici.
- Non mettere in bocca le parti del modello. Potrebbe essere pericoloso e persino mortale.
- Non utilizzare il modello se le batterie della trasmittente sono poco cariche.
- Tenere sempre il velivolo in vista e sotto controllo.
- Usare sempre batterie completamente cariche.
- Tenere sempre la trasmittente accesa quando il velivolo viene alimentato.
- Rimuovere sempre le batterie prima dello smontaggio.
- Tenere sempre pulite le parti mobili.
- Tenere sempre i componenti asciutti.
- Lasciare sempre che i componenti si raffreddino dopo l'uso prima di toccarli.
- Rimuovere sempre le batterie dopo l'uso.
- Accertarsi sempre che il failsafe sia impostato correttamente prima del volo.
- Non utilizzare mai velivoli con cablaggi danneggiati.
- Non toccare mai le parti in movimento.

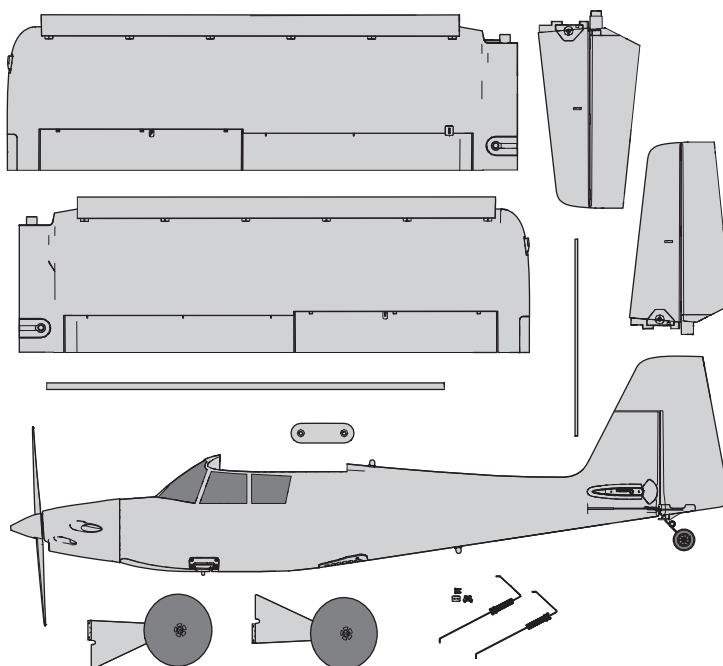
Informazioni iniziali

Impostazione trasmettente	Far riferimento alla tabella impostazione trasmettente per impostare la trasmettente		
Dual Rates		Corsa max	Corsa min
	Ale	▲33mm ▼33mm	▲25mm ▼25mm
	Ele	22mm	16mm
	Tim	30mm	20mm
	Flap	Full ▼=35mm	Half ▼=20mm
Baricentro (CG)	60mm +/-5mm dietro al bordo di entrata dell'ala alla fusoliera.		
Impostazione timer volo	4 minuti		

Caratteristiche

		BNF BASIC	PNP PLUG-N-PLAY
	Motore: 10BL 800Kv (EFLM17552)	Installato	Installato
	ESC: 50 AMP Brushless ESC (EFLA1050)	Installato	Installato
	Servocomando: Servocomando 9 g (6 x SPMSA370)	Installato	Installato
	Ricevente: Spektrum™ AR636A 6-canali Sport (SMPAR636A)	Installato	Necesario per completare
	Batteria consigliata: 11.1V-14.8V 3S-4S 2200mAh 30C Li-Po (EFLB22003S30 or EFLB22004S30*)	Necesario per completare	Necesario per completare
	Caricabatterie consigliato: batterie LiPo 3-4 celle con bilanciamento	Necesario per completare	Necesario per completare
	Trasmettente consigliata: Almeno 6 canali a piena portata 2,4GHz con tecnologia Spektrum DSM2/DSMX e corse regolabili	Necesario per completare	Necesario per completare

Contenuto della scatola



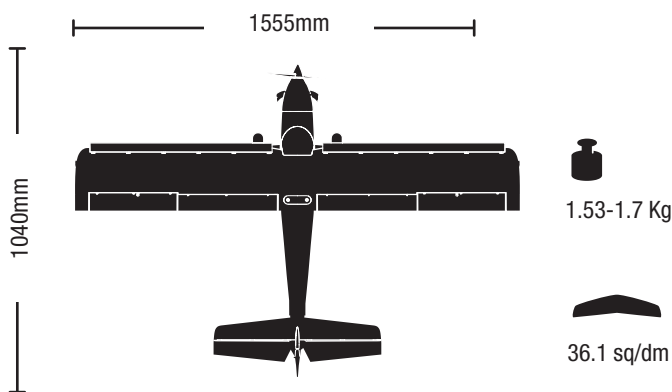
Sommario

Tecnologia SAFE Select.....	53
Controlli prima del volo.....	53
Impostazione della trasmettente.....	53
Montaggio del modello.....	54
Connessione / Commutazione ON e OFF SAFE Select.....	57
Installare la batteria e armare l'ESC.....	58
Assegnazione interruttore per SAFE Select.....	59
Impostazione squadrette e bracci servi.....	59
Baricentro (CG).....	60
Verifica della direzione dei controlli AS3X.....	60
Trimmaggio in volo.....	60
Consigli per il volo e riparazioni.....	61
Volare con SAFE Select.....	61
Scelta e installazione della ricevente per la versione PNP.....	62
Dopo il volo.....	62
Manutenzione motore.....	62
Guida alla risoluzione dei problemi con l'AS3X.....	62
Guida alla soluzione dei problemi.....	63
Installazione galleggianti (opzionale).....	64
Decollare dall'acqua.....	64
Garanzia.....	65
Garanzia e Assistenza - Informazioni per i contatti.....	65
Informazioni sulla conformità per l'Unione Europea.....	65
Ricevitori Raccomandati.....	66
Pezzi di ricambio.....	67
Pezzi opzionali.....	68

INFORMAZIONI PER LA CONNESSIONE (BINDING) DEL RICEVITORE

Canali	6
Frequenza	2405 - 2476 MHz
Compatibilità	DSM2 e DSMX

Per ricevere gli aggiornamenti dei prodotti, offerte speciali e molto altro, registrare il prodotto sul sito <https://www.horizonhobby.com/content/e-flite-rc>



Tecnologia SAFE Select

La versione base di BNF di questo aereo include la tecnologia SAFE Select che può offrire un livello extra di protezione in volo. Utilizzare le seguenti istruzioni per rendere attivo il sistema SAFE Select e assegnarlo a uno switch. Quando abilitato, SAFE Select impedisce all'aeroplano di effettuare operazioni bancarie o pitching oltre i limiti prestabiliti e l'autolivellamento automatico mantiene l'aereo in volo in posizione diritta e in piano quando gli alettoni, elevatore e stick del timone sono in posizione neutra.

SAFE Select è abilitato o disabilitato durante il processo di bind. Quando l'aereo è collegato con SAFE Select abilitato, è possibile assegnare un interruttore per passare dalla modalità di selezione SAFE alla modalità AS3X. La tecnologia AS3X® rimane attiva senza limiti bancari o autolivellamento ogni volta che SAFE Select è disabilitato o OFF.

SAFE Select può essere configurato in tre modi;

- SAFE Select Off: sempre in modalità AS3X
- SAFE Select On-no switch assegnato: sempre in modalità SAFE Select
- SAFE Selezionare On con un interruttore assegnato: commuta tra la modalità di selezione SAFE e la modalità AS3X

Controlli prima del volo

1. Controllare il contenuto della scatola.
2. Leggere attentamente questo manuale.
3. Caricare la batteria di bordo.
4. Impostare la trasmittente usando la tabella impostazione trasmittente.
5. Montare completamente l'aereo.
6. Installare la batteria sull'aereo (dopo averla caricata).
7. Controllare il baricentro (CG).
8. Connettere (bind) l'aereo alla trasmittente.

9. Verificare che i rinvii dei comandi si muovano liberamente.
10. Controllare il funzionamento dei flap.
11. Con la trasmittente, controllare che i comandi si muovano nel senso corretto.
12. Con l'aereo, controllare che i comandi con l'AS3X vadano nel verso giusto.
13. Regolare i comandi di volo e la trasmittente.
14. Eseguire un controllo della portata del radiocomando.
15. Cercare un posto aperto e sicuro per volare.
16. Pianificare il volo in base alle condizioni del campo.

Impostazione della trasmittente

IMPORTANTE: Dopo aver impostato il modello, rifare sempre la connessione fra trasmettitore e ricevitore (binding) per impostare le posizioni di failsafe desiderate.

Riduzioni D/R

Fare i primi voli con le corse ridotte. Per gli atterraggi, aumentare la corsa dell'elevatore.

AVVISO: Per assicurare che l'AS3X funzioni correttamente, non ridurre le corse al di sotto del 50%. Se si vuole avere delle corse più ridotte, bisogna intervenire manualmente sulla posizione delle forcelle sulle squadrette dei servocomandi.

AVVISO: Se ad alta velocità si notano delle oscillazioni, fare riferimento alla Guida alla soluzione dei problemi per avere maggiori informazioni.

Expo

Dopo i primi voli si possono regolare sul trasmettitore o sul ricevitore AR636, facendo riferimento al suo manuale riguardo alla regolazione delle corse Expo.

† Alcuni termini e alcune posizioni di funzione usati nella programmazione iX12 possono essere leggermente diversi da quelli delle altre radio Spektrum AirWare. I nomi indicati tra parentesi corrispondono alla terminologia della programmazione iX12. Consultare il manuale della trasmittente per informazioni specifiche sulla programmazione della trasmittente.

* I valori di programmazione dei flap possono variare leggermente. Per i voli iniziali usare le impostazioni di corsa dei flap consigliate fornite nel paragrafo sui flap, per i voli successivi regolare la corsa del flap a seconda delle preferenze.

Impostazioni trasmettitore computerizzato

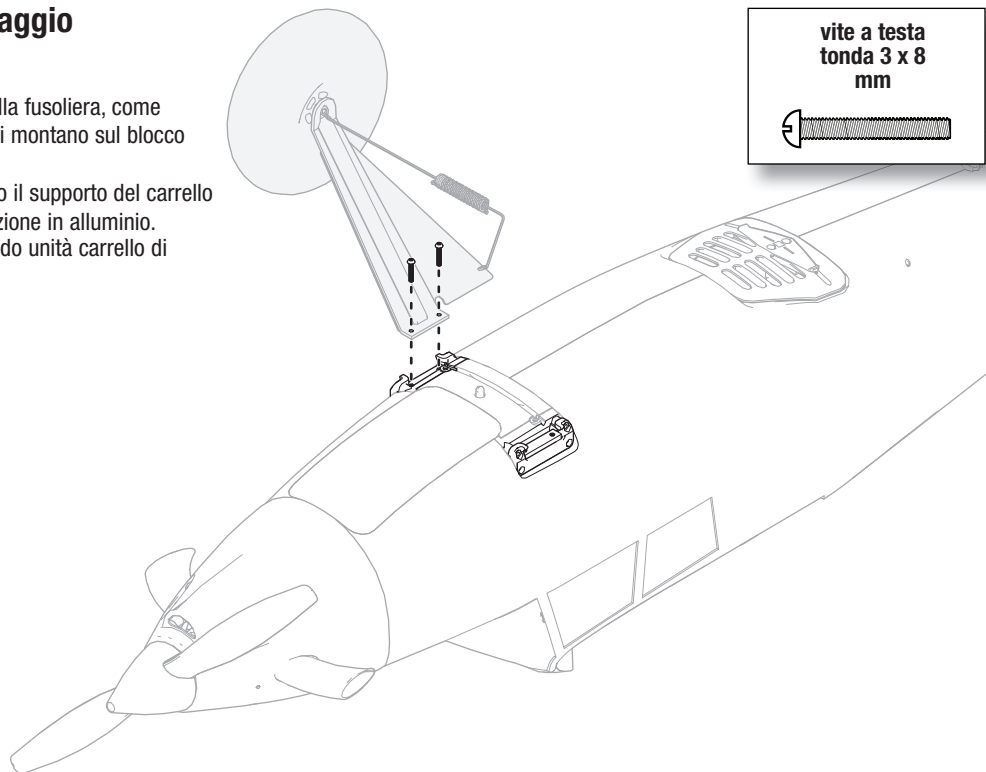
Iniziare la programmazione del trasmettitore con una memoria vuota di un modello ACRO (eseguire un reset), poi dare un nome al modello.	
Impostare il D/R su	HIGH 100% LOW 70%
Impostare la corsa del servo su	100%
Set Throttle Cut to	-130%
DXe	Refer to spektrumrc.com for the appropriate download setup.
DX6i	1. Andare al SETUP LIST MENU
	2. Impostare MODEL TYPE: ACRO
	3. Andare al ADJUST LIST MENU
	4. Impostare FLAPS: Norm ↓ 100 Flap Elev 0 LAND ↑ -100 Flap Elev 30
DX7S DX8	1. Andare a SETTAGGIO SISTEMA
	2. Impostare TIPO MODELLO: AEREO
	3. Impostare TIPO DI ALA: 1 ALE 1 FLAP
	4. Andare alla LISTA FUNZIONE
	5. Impostare SISTEMA FLAP: Selezionare Flap Norm: 100% FLAP Med: 0% FLAP 16% ELEVATORE Atter: -100% FLAP 30% ELEVATORE Veloc: 2.0S: Int: = FLAP
DX6e	1. Andare al SYSTEM SETUP
DX6 (Gen2)	2. Impostare MODEL TYPE: AIRPLANE (Model Utilities)†
DX7 (Gen2)	3. Impostare AIRCRAFT TYPE (Model Setup, Aircraft Type)†: WING: 1 AIL 1 FLAP
DX8e	4. Andare al FUNCTION LIST (Model Adjust)†
DX8 (Gen2)	
DX9	6. Impostare FLAP SYSTEM:
DX10t	SELECT SWITCH D:
DX18	Norm: 100% FLAP
DX20	Med: 0% FLAP 16% ELEVATORE
iX12	Atter: -100% FLAP 30% ELEVATORE Veloc: 2.0S: Int: = FLAP

Montaggio del modello

Installazione del carrello d'atterraggio

Montare il carrello di atterraggio sulla fusoliera

1. Inserire un'unità carrello nella tasca sul lato della fusoliera, come mostrato. I supporti del carrello di atterraggio si montano sul blocco in alluminio che può ruotare nella tasca.
2. Filettare le viti 3 x 8 mm in dotazione attraverso il supporto del carrello di atterraggio nei fori filettati nel blocco di rotazione in alluminio.
3. Ripetere il procedimento per installare la seconda unità carrello di atterraggio.

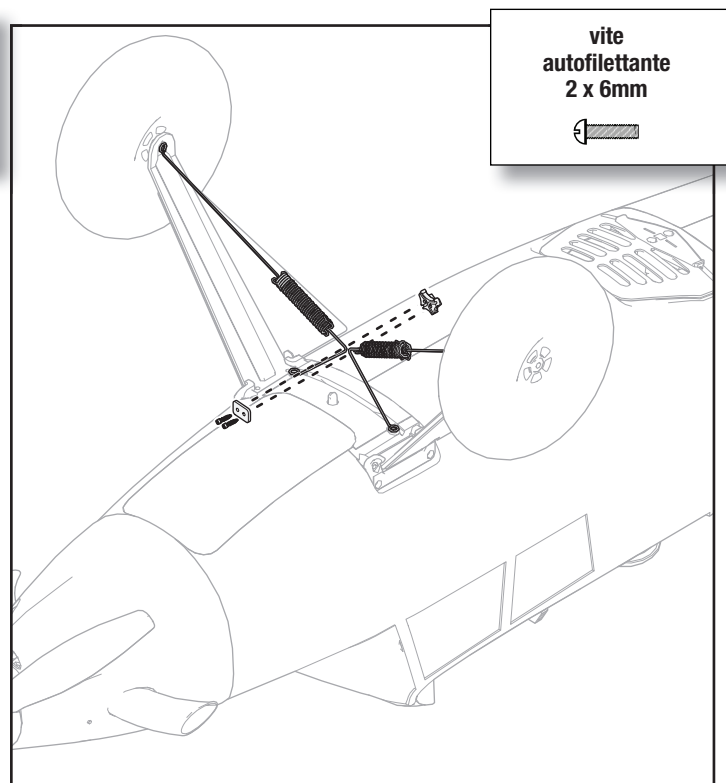
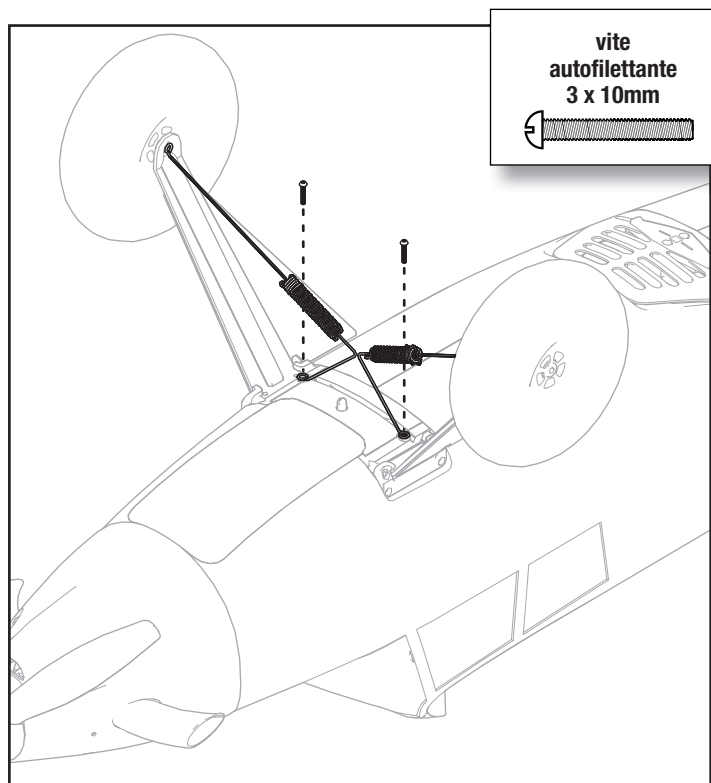


Montare le unità di molla sulla fusoliera

1. Allineare le unità di molla con i fori di montaggio nella fusoliera. Tali unità montano sulla staffa in plastica preinstallata nella fusoliera tra il carrello di atterraggio.
2. Installare le due viti autobloccanti 3 x 10 mm per ancorare le unità di molla in sede.

Bloccare insieme le unità di molla.

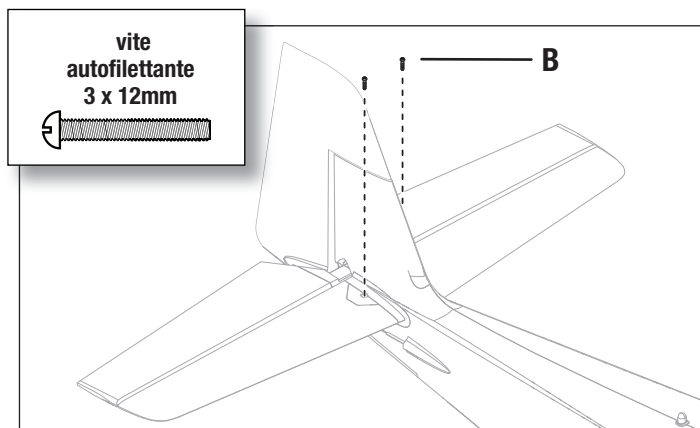
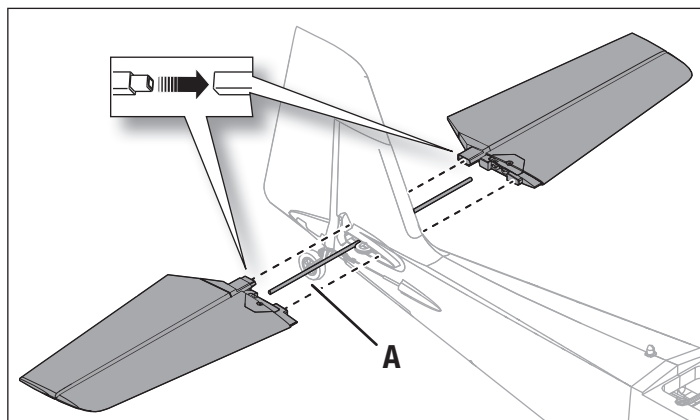
1. Allineare le unità di molla con la staffa di giunzione
2. Bloccare insieme l'unità con le due viti autofilettante 2 x 6 mm.



Montaggio del modello *continuazione*

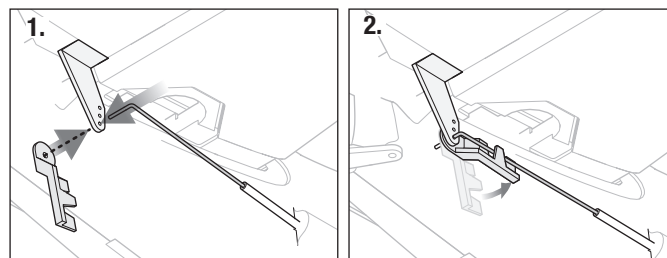
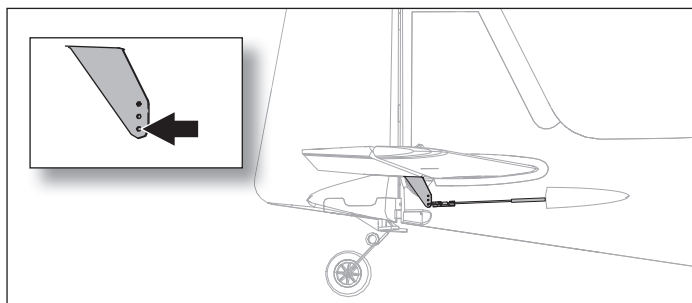
Installazione del piano di coda orizzontale

1. Inserire il tubo del piano di coda orizzontale (A) nel foro sul retro della fusoliera.
2. Assemblare i due pezzi (destro e sinistro) del piano di coda orizzontale come illustrato. Accertarsi che le squadrette siano rivolte in basso.
3. Secure the two horizontal tail pieces in place using the 2 included screws (B)
4. Collegare la forcella alla squadretta dell'elevatore (si vedano le istruzioni per il collegamento delle forcelle).



Installazione fermo dell'asta di comando

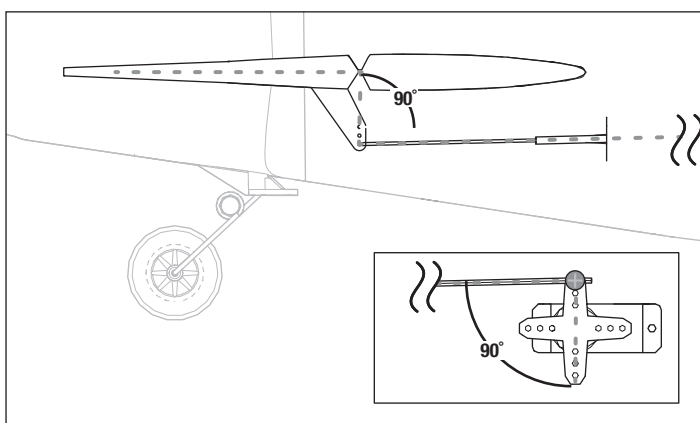
1. Inserire il termine dell'asta di comando con l'estremità piegata a 90° nella squadretta di comando. Inserire le estremità dell'asta di comando nel fermo dell'asta di comando.
2. Ruotare il fermo dell'asta di comando e premerlo in sede sull'asta di comando fino a quando scatta in posizione.



Centraggio delle superfici di comando

Completato l'assemblaggio e dopo aver configurato e connesso la trasmittente, verificare che le superfici di comando siano centrate. Nel caso non lo fossero, centrarle meccanicamente sulle superfici di controllo prima del volo.

1. Impostare trim e sub-trim a zero.
2. In caso di mancato centraggio, allentare la vite nel collegamento a connettore rapido sulla squadretta.
3. Far scorrere l'asta di comando nel connettore rapido per modificare la lunghezza del leveraggio tra il braccio del servo e la squadretta in modo tale che la superficie di controllo sia centrata.
4. Applicare un frenafili sui filetti della vite e serrare la vite per fissare l'asta di comando alla lunghezza desiderata.



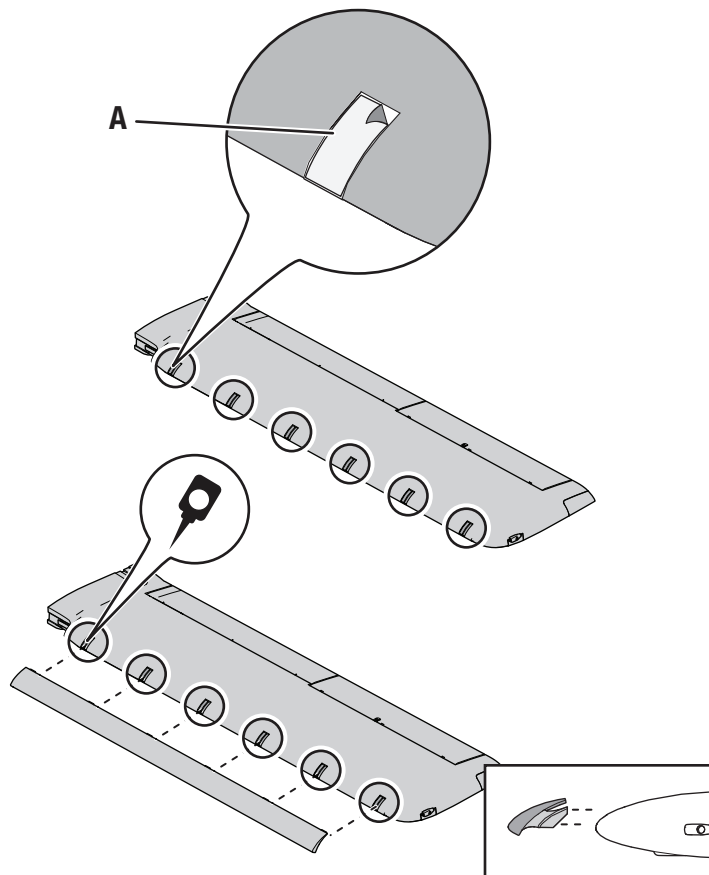
Montaggio del modello *continuazione*

Installazione dell'ala



Installazione ipersostentatori di bordo d'attacco dell'ala (opzionale)

1. Togliere con attenzione tutte le coperture in espanso dalle fessure per gli ipersostentatori.
2. Una volta scoperta la fessura, applicare con attenzione della colla CA media su ogni fessura.
3. Installare con attenzione l'ipersostentatore sull'ala, con il lato arrotondato in avanti. Assicurarsi che l'ipersostentatore destro e sinistro si trovino sulla parte corretta dell'ala. Sia gli ipersostentatori che le parti dell'ala sono contrassegnati con gli indicatori "L" (sinistro) e "R" (destro).



Installazione dell'ala

1. Unire la parte sinistra e destra dell'ala, come illustrato.
2. Fissare le due parti dell'ala con il giunto (A).
3. Infilare i connettori servocomandi per flaps, luci e alettone (B) nella parte superiore della fusoliera, come illustrato.

Consiglio: Se necessario, usare delle pinzette per infilare i connettori dei servocomandi nell'apertura della fusoliera.

4. Connettere i connettori di flaps e alettone alle rispettive prolunghine a Y, connesse alla ricevente. I servocomandi di destra e sinistra possono essere connessi a qualsiasi parte della prolunga a Y.

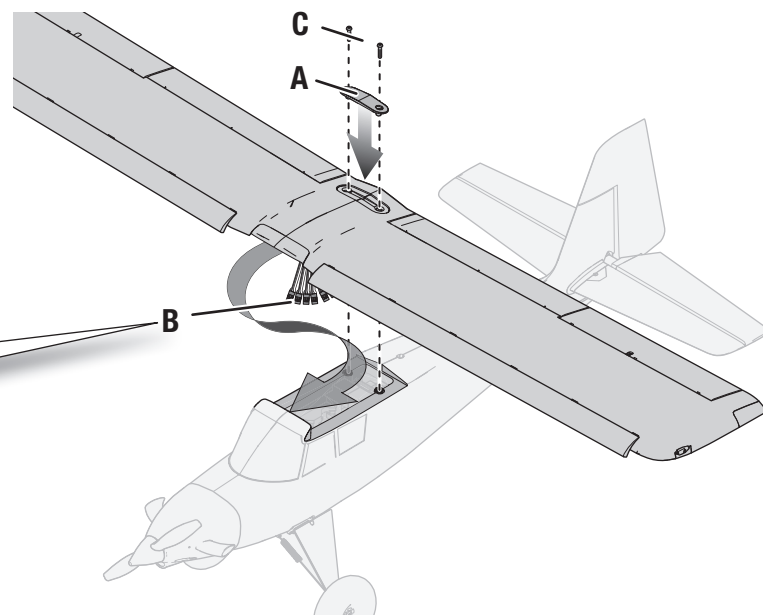
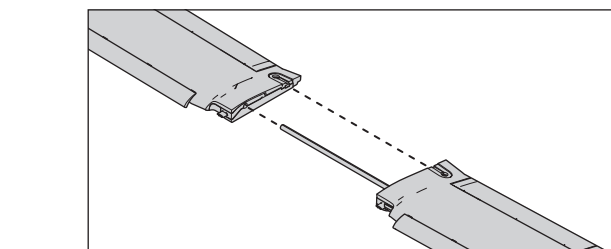
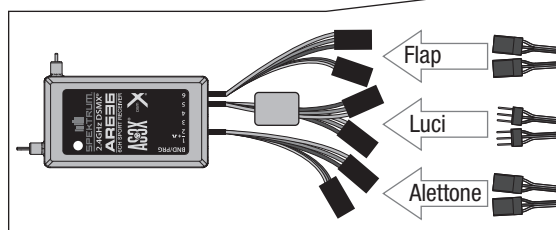
5. Connettere i due connettori luci (con i perni esposti) alla prolunga per le luci.

IMPORTANTE: Per il corretto funzionamento del sistema AS3X è necessario che il collegamento degli alettone sia fatto al canale AILE (canale 2) della ricevente attraverso la prolunga a Y (inclusa).

6. Allineare l'ala con la fusoliera e fissarla in posizione con le due viti nylon (C) incluse.

⚠ ATTENZIONE: Quando si fissa l'ala alla fusoliera bisogna fare attenzione a NON pizzicare o danneggiare in qualche altro modo i cablaggi.

Smontare in ordine inverso.

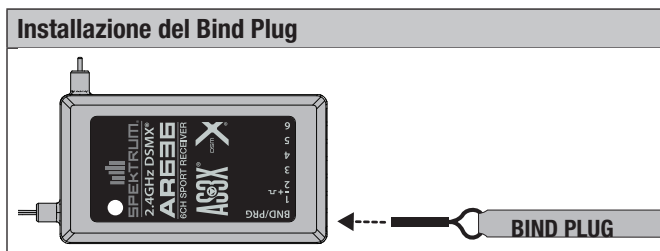


Connessione fra trasmettente e ricevente / Commutare ON e OFF il SAFE Select

Questo prodotto richiede una trasmettente compatibile Spektrum DSM2/DSMX. Per avere l'elenco completo delle trasmettenti approvate, si visiti il sito www.bindnfly.com.

Questo aereo ha una funzione opzionale SAFE Select, che si può inserire (ON) o disinserire (OFF) facilmente facendo la connessione (binding) in un modo specifico, come descritto più avanti.

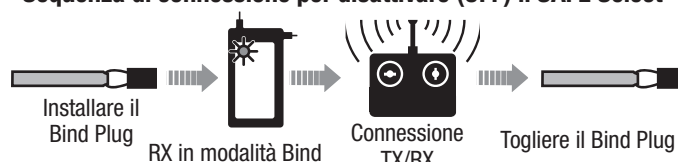
IMPORTANTE: prima di connettere una trasmettente, leggere la sezione di Impostazione della trasmettente su questo manuale per essere sicuri che la trasmettente sia impostata correttamente per questo aereo.



Sequenza di connessione per attivare (ON) il SAFE Select



Sequenza di connessione per disattivare (OFF) il SAFE Select



Procedura di connessione / Attivazione (ON) del SAFE Select

IMPORTANTE: la ricevente AR636 fornita è stata programmata per operare in modo specifico su questo aereo. Se si dovesse sostituire o usare per un altro aereo, bisognerebbe fare riferimento al suo manuale per una impostazione corretta.

ATTENZIONE: quando si usa una trasmettente Futaba® con il modulo Spektrum DSM, bisogna invertire il canale del motore e rifare la connessione. Si faccia riferimento al manuale del modulo Spektrum per le istruzioni di connessione e di failsafe. Per invertire il canale del motore si faccia riferimento al manuale della trasmettente Futaba.

1. Portare i comandi della trasmettente al centro (controlli di volo: timone, elevatore e alettoni) o posizzarli in basso (motore e trim motore). *
2. Inserire il Bind Plug nella sua presa sulla ricevente.
3. Appoggiare l'aeromodello a terra sulle ruote, quindi collegare la batteria di bordo all'ESC. Il motore emette una serie di suoni. Il LED di accoppiamento arancione sul ricevitore inizia a lampeggiare rapidamente.
4. **Rimuovere il connettore di binding dalla porta di connessione.**
5. Allontanarsi di 3 passi dall'aeromodello/ricevitore, quindi mettere la trasmettente in modalità di connessione. Per ulteriori istruzioni sulla procedura di connessione, consultare il manuale della propria trasmettente.

IMPORTANTE: Non puntare l'antenna della trasmettente direttamente al ricevitore durante la connessione.

IMPORTANTE: Rimanere a distanza da grandi oggetti in metallo durante la connessione.

6. Il ricevitore è associato alla trasmettente quando la spia di binding arancione sul ricevitore rimane arancione. L'ESC emette una serie di suoni. I segnali indicano che l'ESC è armato, a condizione che lo stick motore e il trim motore siano sufficientemente abbassati da consentirlo.

IMPORTANTE: una volta connessa, la ricevente mantiene in memoria i dati dell'ultima impostazione finché non vengono cambiati intenzionalmente, anche se viene spenta e riaccesa. Comunque se si nota che la connessione è stata persa, basta rifare la procedura appena descritta per ripristinarla.

Indicazioni relative al SAFE Select attivo (ON)

Tutte le volte che la ricevente viene accesa (ON) le superfici mobili si muoveranno due volte avanti e indietro con una leggera pausa in posizione neutra per indicare che il SAFE Select è attivo (ON).

Il comando motore non si attiverà se lo stick e il suo trim non saranno posizionati completamente in basso. Se ci fossero problemi, seguire le indicazioni per la connessione facendo riferimento alla Guida per la risoluzione dei problemi per ulteriori informazioni. Se necessario contattare il servizio assistenza Horizon.

Procedura di connessione / Disattivazione (OFF) del SAFE Select

IMPORTANTE: la ricevente AR636 fornita è stata programmata per operare in modo specifico su questo aereo. Se si dovesse sostituire o usare per un altro aereo, si faccia riferimento al suo manuale per una impostazione corretta.

ATTENZIONE: quando si usa una trasmettente Futaba® con il modulo Spektrum DSM, bisogna invertire il canale del motore e rifare la connessione. Si faccia riferimento al manuale del modulo Spektrum per le istruzioni di connessione e di failsafe. Per invertire il canale del motore si faccia riferimento al manuale della trasmettente Futaba.

1. Portare i comandi della trasmettente al centro (controlli di volo: timone, elevatori e alettoni) o posizzarli in basso (motore e trim motore). *
2. Inserire il Bind Plug nella sua presa sulla ricevente.
3. Appoggiare l'aeromodello a terra sulle ruote, quindi collegare la batteria di bordo all'ESC. Il motore emette una serie di suoni. Il LED di accoppiamento arancione sul ricevitore inizia a lampeggiare rapidamente.
4. Allontanarsi di 3 passi dall'aeromodello/ricevitore, quindi mettere la trasmettente in modalità di connessione. Per ulteriori istruzioni sulla procedura di connessione, consultare il manuale della propria trasmettente.

NON RIMUOVERE il connettore di binding in questa fase.

IMPORTANTE: Non puntare l'antenna della trasmettente direttamente al ricevitore durante la connessione.

IMPORTANTE: Rimanere a distanza da grandi oggetti in metallo durante la connessione.

5. Il ricevitore è associato alla trasmettente quando la spia di binding arancione sul ricevitore rimane arancione. L'ESC emette una serie di suoni. I segnali indicano che l'ESC è armato, a condizione che lo stick motore e il trim motore siano sufficientemente abbassati da consentirlo.
6. **Togliere il Bind Plug dalla ricevente.**

IMPORTANTE: una volta connessa, la ricevente mantiene in memoria i dati dell'ultima impostazione finché non vengono cambiati intenzionalmente, anche se viene spenta e riaccesa. Comunque se si nota che la connessione è stata persa, basta rifare la procedura appena descritta per ripristinarla.

Indicazioni relative al SAFE Select disattivo (OFF)

Tutte le volte che la ricevente viene accesa (ON) le superfici mobili si muoveranno una volta avanti e indietro per indicare che il SAFE Select è disattivo (OFF).

Il comando motore non si attiverà se lo stick e il suo trim non saranno posizionati completamente in basso. Se ci fossero problemi, seguire le indicazioni per la connessione facendo riferimento alla Guida per la risoluzione dei problemi per ulteriori informazioni. Se necessario contattare il servizio assistenza Horizon.

* Failsafe

Il failsafe si attiva quando la ricevente perde le comunicazioni della trasmettente. Una volta attivato, porta il comando del motore nella posizione (motore al minimo) impostata nella procedura di connessione. Tutti gli altri canali si muovono per mantenere l'aereo in volo livellato.

Installare la batteria e armare l'ESC

Scelta della batteria

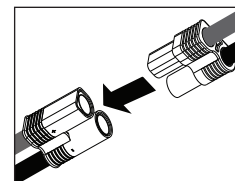
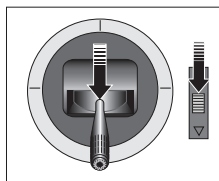
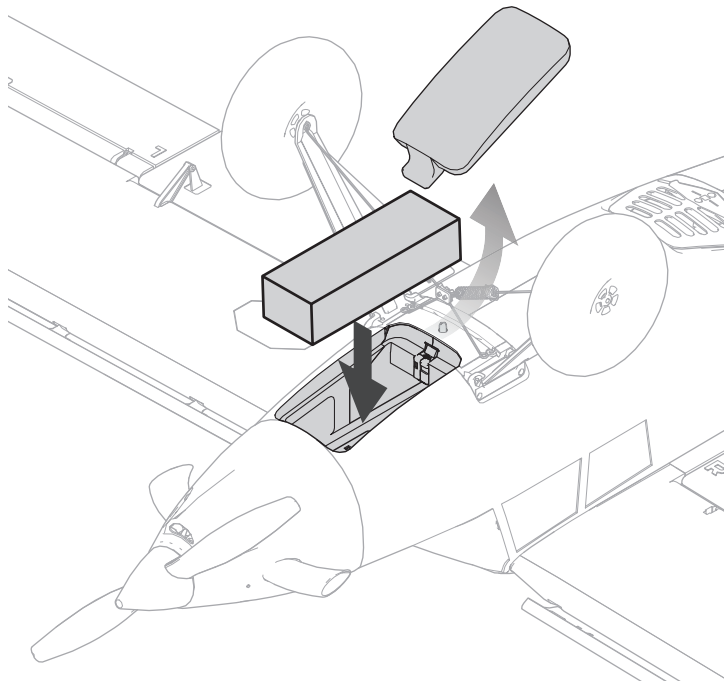
Si consiglia una batteria E-flite Li-Po 2200 mAh 14,4V 4S 30C (EFLB22004S30). La batteria EFL22003S30 può inoltre essere usata. Consultare l'elenco parti opzionali per le altre batterie consigliate. Se si usa una batteria diversa da quelle elencate, le sue caratteristiche devono essere uguali a quelle della batteria E-flite Li-Po in termini di capacità, dimensioni e peso. Verificare anche che il baricentro (CG) si trovi nel punto indicato prima del volo.

1. Portare completamente in basso il comando motore e il suo trim. Accendere la trasmittente e attendere cinque secondi.
2. Far scorrere la chiusura del coperchio verso la coda e sollevare il coperchio da rimuovere.
3. Per una maggiore sicurezza, si consiglia di applicare il lato ad asola (lato morbido) della fascetta a strappo opzionale sul fondo della batteria e il lato a uncino al vassoio porta batteria.
4. Installare la batteria completamente carica sistemandola verso il centro del vano batteria come mostrato. Fissare usando la fascetta a strappo.
5. Collegare la batteria all'ESC (che adesso è armato).



ATTENZIONE: Tenere sempre le mani lontano dalle eliche. Quando armato, il motore farà girare l'elica in risposta a qualunque movimento del comando motore.

6. Tenere l'aeromodello immobile, al riparo dal vento e su una superficie piana fino a quando il sistema non si inizializza.
 - L'ESC emetterà una serie di suoni. Un singolo tono seguito immediatamente da tre o quattro toni, che indica il conteggio delle celle. Anche l'ESC produce una serie di tre toni ascendenti. Questi toni indicano che l'ESC è armato ammesso che lo stick del motore e il suo trim siano posizionati completamente in basso.
 - Un LED si accenderà sul ricevitore.
7. Reinstallare il coperchio.



Assegnazione interruttore SAFE® Select

La tecnologia SAFE® Select può essere assegnata a un qualsiasi interruttore libero (posizione 2 o 3) che controlla un canale (5-9) sulla trasmittente. Una volta assegnata a un interruttore, SAFE Select ON assicura la flessibilità di scegliere la tecnologia SAFE o la modalità AS3X durante il volo. Se il velivolo è connesso con il SAFE Select acceso (OFF), il modellino sarà esclusivamente in modalità AS3X.

IMPORTANTE: Prima di assegnare l'interruttore desiderato, accertarsi che per questo canale la corsa sia al 100% in entrambe le direzioni e che alettone, elevatore, timone e gas siano tutti su alta velocità con spostamento al 100%.

ATTENZIONE: Tenere tutte le parti del corpo ben lontane dall'elica e contenere il velivolo in modo sicuro in caso di accidentale attivazione del gas.

CONSIGLIO: Il SAFE Select può essere assegnato a uno qualunque dei canali 5-9 disponibili. Fare riferimento al manuale della trasmittente per maggiori informazioni sull'assegnazione di un interruttore a un canale.

CONSIGLIO: Usare il monitor del radiocanale per confermare che i quattro canali principali indicano spostamento 100% durante l'assegnazione dell'interruttore.

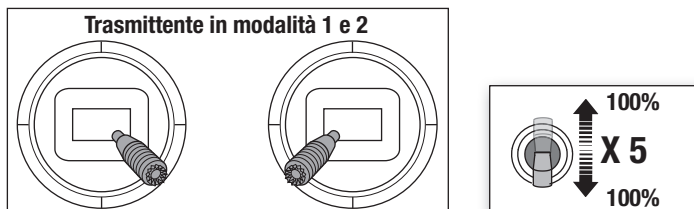
CONSIGLIO: Usare il monitor del canale per accertarsi che l'interruttore per l'assegnazione di SAFE Select sia attivo e azionare un canale tra 5-9 e che si sposti 100% in ciascuna direzione.

CONSIGLIO: Accertarsi che i quattro canali principali non siano invertiti in caso di problemi ad assegnare un interruttore SAFE Select.

Assegnazione di un interruttore

1. Collegare il velivolo per scegliere SAFE Select ON. Questo permetterà l'assegnazione del SAFE Select a un interruttore.
2. Tenere entrambi gli stick della trasmittente in basso e verso l'interno mentre si commuta l'interruttore scelto per 5 volte (1 commutazione = corsa completa in su e giù) per assegnare quell'interruttore. Le superfici di controllo dell'aeromodello si muoveranno, indicando che l'interruttore è stato selezionato.

Ripetere la procedura per assegnare un interruttore diverso o per disattivare l'interruttore di corrente, se desiderato.



Impostazione squadrette e bracci servi

La tabella qui a destra mostra le impostazioni di fabbrica per le squadrette e i bracci dei servi. Prima di fare cambiamenti, far volare l'aereo con questa impostazione.

AVVISO: se si cambiano le corse dei comandi rispetto alle impostazioni di fabbrica, è necessario modificare anche i valori di sensibilità sulla ricevente AR636. Per fare queste regolazioni si faccia riferimento al manuale della ricevente Spektrum AR636.

Dopo aver volato, potrebbe essere necessario regolare la posizione dei rinvii per avere la risposta ai comandi desiderata. Si veda la tabella qui a destra.

Tuning	Squadrette	Bracci
Più corsa di controllo		
Meno corsa di controllo		

Impostazioni di fabbrica	Squadrette	Bracci
Elevatore		
Timone		
Alettoni		
Flap		

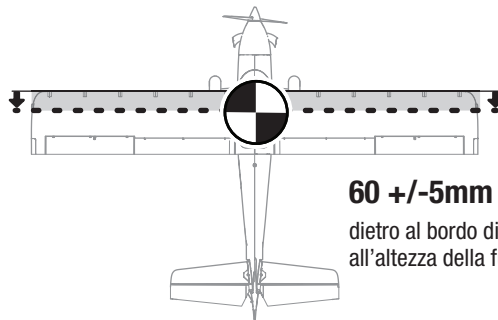
Baricentro (CG)

La posizione del baricentro (CG) si misura dal bordo di entrata dell'ala alla sua radice.

(senza stecche installate)

- 60mm +/-5mm dietro al bordo d'attacco

AVVISO: Installare la batteria ma non armare l'ESC durante il cambio di baricentro. Rischio di lesioni.



60 +/-5mm

dietro al bordo di entrata dell'ala all'altezza della fusoliera.

Verifica della direzione dei controlli AS3X

Questa verifica serve per controllare che il sistema AS3X funzioni correttamente. Prima di eseguire questa verifica, assemblare l'aereo e connettere la sua ricevente alla propria trasmittente.

1. Per attivare il funzionamento del sistema AS3X, portare il comando motore appena sopra al 25% della sua corsa, poi abbassarlo.

ATTENZIONE: mantenere lontano dall'elica in movimento le parti del proprio corpo, i capelli e i vestiti svolazzanti per evitare che rimangano impigliati.

IMPORTANTE: la programmazione dell'AR636 per questo aereo, aumenta il movimento delle superfici di controllo quando il carrello viene estratto.

2. Muovere tutto l'aereo come illustrato e accertarsi che le superfici mobili si muovano nella direzione indicata dal grafico. Se non rispondono come illustrato, non far volare l'aereo. Per maggiori informazioni si faccia riferimento al manuale della ricevente.

Quando il sistema AS3X è attivo, le superfici mobili potrebbero muoversi rapidamente. Questo è normale. L'AS3X rimane attivo finché non si scollega la batteria.

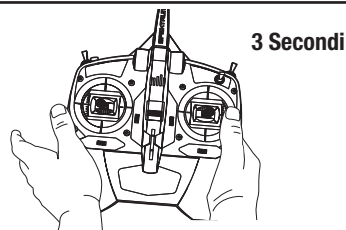
	Movimento dell'aereo	Reazione AS3X
Elevatore		
Alettoni		
Timone		

Trimmaggio in volo

Durante il primo volo, trimmare l'aereo in modo che voli livellato con 3/4 di motore e con flaps e carrello retratti.

Dopo aver regolato i trim, non toccare gli stick di comando per almeno 3 secondi. Questo permette alla ricevente di memorizzare le correzioni per ottimizzare le prestazioni dell'AS3X.

Se non si fa questo, si potrebbe influire sulle prestazioni in volo.



3 Secondi

Consigli per il volo e le riparazioni

Consultare le leggi e le normative locali prima di scegliere il luogo dove far volare l'aeromodello.

Per iniziare Prima di andare in volo è necessario fare una prova di portata del radiocomando. Per maggiori informazioni si rimanda al manuale della trasmittente. Quando si collega per la prima volta la batteria all'aereo, l'AS3X non è attivo. Portando in avanti lo stick del motore, il sistema AS3X si attiva ed è normale vedere le superfici di controllo reagire al movimento dell'aeromodello. Per i primi voli, impostare il timer della trasmittente o un cronometro a 5 minuti. Dopo i primi voli si potrà aumentare o diminuire il tempo in base ai risultati ottenuti.

Decollo Decollare sempre controvento. Impostare la trasmittente su ratei bassi e abbassare i flap in posizione di decollo (mezza posizione). I flap non sono necessari, ma abbassandoli si riduce la corsa di decollo.

Dare gradualmente piena manetta e sterzare a terra con il timone per mantenere l'aereo in movimento rettilineo, se necessario. Tenere presente che la ruota anteriore diventa più sensibile più la velocità aumenta. Lasciare l'elevatore in posizione neutra e permettere all'aereo di accelerare al suolo fino alla velocità di decollo, quindi sollevare delicatamente l'elevatore per la rotazione di decollo. Una volta in aria, salire ad altitudine adeguata e riportare i flap in posizione orizzontale.

Volo Per i primi voli, salire ad un'altitudine moderata per prendere confidenza con l'aereo con la batteria ancora ben carica. Familiarizzarsi con il comportamento del modello a bassa velocità con i flap su e giù ad un'altitudine sicura (circa 30 metri o più) prima di cimentarsi con primo tentativo di atterraggio. Far atterrare l'aereo quando il timer indica che il tempo è finito. Se in qualunque momento la potenza del motore si riduce, atterrare immediatamente e ricaricare la batteria di bordo. Vedere la sezione "Spegnimento per bassa tensione (LVC)" per maggiori informazioni su come massimizzare efficacia e autonomia della batteria.

Atterraggio Atterrare sempre controvento, quando possibile. Volare sottovento e virare controvento per iniziare l'avvicinamento finale. Ridurre la manetta e abbassare i flap in posizione di atterraggio (posizione tutto giù). I flap rendono l'avvicinamento finale più ripido e lento e consentono un atterraggio più dolce. Se c'è vento trasverso significativo, abbassare i flap solo fino alla posizione di decollo (posizione centrale) in modo da aiutare a mantenere la velocità e assicurare un controllo direzionale più efficace durante l'avvicinamento. Durante l'avvicinamento e la discesa, mantenere le ali livellate e l'aeromodello rivolto controvento. L'angolo di attacco (l'angolo tra l'assetto di beccheggio del modello e l'orizzonte) dovrebbe rimanere costante con muso leggermente sollevato durante la discesa. Mantenendo l'angolo d'attacco durante la discesa, la velocità e il rateo di discesa sono controllati per lo più con piccole variazioni della manetta. Mantenere la manetta e per conservare velocità e controllo durante la discesa fino a quando l'aeromodello è pronto per la richiamata. Quando l'aereo scendendo arriva in effetto suolo, togliere del tutto la manetta, tirare il muso verso l'alto per ridurre la velocità (richiamata) e lasciare che l'aeromodello si adagi sulle ruote.

Se si atterra su erba, è meglio mantenere l'elevatore completamente sollevato anche dopo l'atterraggio e durante il rullaggio per evitare che il muso si impunti. Una volta a terra, evitare brusche virate fino a quando la velocità non si è sufficientemente ridotta da evitare di raschiare a terra le estremità alari.

AVVISO: nell'imminenza di un impatto, togliere completamente motore e trim. In caso contrario, si corre il rischio di danni più estesi alla cellula e anche all'ESC e al motore.

AVVISO: dopo un impatto, verificare che il ricevitore sia rimasto al suo posto nella fusoliera. Se è necessario sostituire il ricevitore, bisogna avere cura di montare quello nuovo nella stessa posizione e con lo stesso orientamento di quello originale, per evitare il rischio di danni.

AVVISO: i danni dovuti a impatto col suolo non sono coperti dalla garanzia.

AVVISO: quando si termina di volare, non lasciare mai l'aeromodello sotto i raggi diretti del sole e non riporlo in luoghi chiusi e eccessivamente caldi, come per esempio un'auto. Farlo può danneggiare l'aeromodello.

Spegnimento per bassa tensione (LVC) Se una batteria LiPo si scarica sotto i 3 V per cella, non potrà mantenere la carica. L'ESC protegge la batteria da sovra scarica per mezzo della funzione LVC (Low Voltage Cutoff). Quando la tensione della batteria si riduce troppo, la funzione LVC scollega l'alimentazione dal motore. L'alimentazione per il motore si riduce, indicando che una parte della carica della batteria è riservata per controllare il volo e consentire un atterraggio sicuro.

Dopo l'uso, scollegare la batteria LiPo e toglierla dall'aeromodello per evitare che si scarichi lentamente. Prima di riporre la batteria LiPo per lungo tempo, caricarla a metà della sua capacità. Durante la conservazione, controllare ogni tanto che la tensione non scenda sotto i 3 V per cella. Ovviamente, in questo caso la funzione LVC non interviene per proteggere la batteria.

AVVISO: l'uso ripetuto della funzione LVC può danneggiare la batteria.

Consiglio: controllare la tensione della batteria prima e dopo il volo usando un tester per batterie LiPo (SPMXBC100, venduto separatamente).

Oscillazione Il modello dovrebbe offrire un comportamento in volo dolce e normale nella maggior parte delle manovre, ma è possibile che in certe condizioni di volo si manifestino delle oscillazioni (l'aereo si muove avanti e indietro lungo un asse a causa del sovracontrollo). In caso di oscillazioni, consultare la guida alla risoluzione dei problemi per maggiori informazioni.

Riparazioni Grazie al materiale in schiuma EPO di cui è fatto questo aereo, per la riparazione del materiale espanso è possibile usare virtualmente qualsiasi adesivo (colla a caldo, cianoacrilato, colla epossidica, ecc.). Se la riparazione non è possibile, consultare l'elenco dei ricambi per ordinarli con il rispettivo codice articolo. Per l'elenco completo di tutti i ricambi e le parti opzionali, consultare l'elenco in fondo a questo manuale.

AVVISO: l'uso di acceleranti per colla CA può danneggiare la vernice del modello. NON maneggiare il modello fino a quando l'accelerante non è completamente asciutto.

Suggerimenti per il volo con SAFE Select

Quando si vola in modalità SAFE Select, l'aereo torna a volare in piano ogni volta che i comandi dell'alettone e dell'elevatore sono in posizione neutra. L'applicazione del comando di alettone o elevatore porta l'aeroplano a inclinarsi, cabrare o picchiare e la quantità di movimento dello stick determina l'assetto assunto. Dando pieno comando, l'aereo viene spinto ai limiti preimpostati di inclinazione e rollio, senza superare però tali angoli.

Quando si vola con SAFE Select è normale tenere lo stick di controllo deflesso applicando moderatamente l'alettone nel volo in virata. Per volare senza problemi con SAFE Select, evitare di effettuare cambi frequenti di controllo e non tentare di correggere le deviazioni minori. Con SAFE Select, mantenere input di controllo intenzionali porta il modello a volare con un angolo specifico e a eseguire tutte le correzioni necessarie per mantenere tale assetto di volo.

Riportare i comandi di elevatore e alettone in posizione neutra prima di passare dalla modalità SAFE Select alla modalità AS3X. Se i comandi non vengono portati in posizione neutra quando si passa alla modalità AS3X, gli input di controllo utilizzati per la modalità SAFE Select saranno eccessivi per la modalità AS3X e l'aereo reagirà immediatamente.

Differenze tra le modalità SAFE Select e AS3X

Questa sezione è generalmente accurata, ma non tiene conto della velocità di volo, dello stato di carica della batteria e di molti altri fattori limitanti.

- In modalità SAFE Select l'aereo si porta in volo livellato automaticamente quando lo stick di controllo viene portato in posizione neutra. In modalità AS3X l'aeromodello continua a volare nell'assetto tenuto quando lo stick di controllo viene portato in posizione neutra.
- In modalità SAFE Select, mantenere una piccola quantità di controllo porta il modello a inclinarsi o beccheggiare a un angolo moderato, rimanendo a quell'angolo fino a quando lo stick di controllo non si muove. In modalità AS3X, mantenere una piccola quantità di controllo porta il modello a continuare nel movimento di beccheggio o rollio a rateo lento fino a quando lo stick di controllo non si muove.
- In modalità SAFE Select, mantenendo il pieno controllo, l'aeromodello si inclina o beccheggia fino ai limiti preimpostati e l'aeromodello continua a volare con quell'assetto fino a quando lo stick di controllo è completamente deflesso. In modalità AS3X, mantenendo il pieno controllo, l'aereo beccheggia o rolla il più velocemente possibile e continua a cambiare rapidamente assetto finché lo stick di controllo è completamente deflesso.

Scelta e installazione della ricevente per la versione PNP

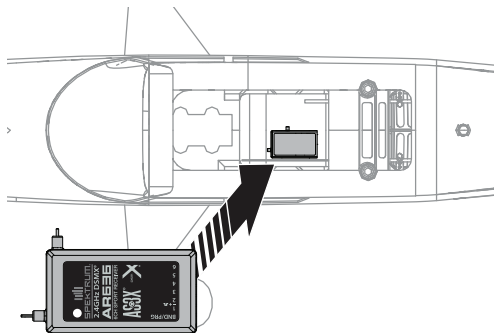
Per questo aereo si raccomanda la ricevente AR636. Se si sceglie e si installa un'altra ricevente, bisogna accertarsi che abbia almeno 6 canali e sia a piena portata (sport). Si faccia riferimento al manuale della propria ricevente per una corretta installazione e impostazione.

Installazione (viene mostrata l'AR636)

1. Togliere la capottina dalla fusoliera.
2. Montare la ricevente parallela all'asse longitudinale della fusoliera, come illustrato. Usare del nastro biadesivo.
3. Collegare i servi delle superfici mobili alle rispettive prese sulla ricevente, seguendo lo schema illustrato.



ATTENZIONE: un'installazione sbagliata della ricevente potrebbe causare un incidente.



Assegnazione porta AR636

BND/PRG = BIND

- 1 = Throttle
- 2 = Alettone
- 3 = Elevatore
- 4 = Timone
- 5 = Luci
- 6 = Flap

Dopo il volo

1. Scollegare la batteria di bordo dall'ESC (necessario per la sicurezza e per la vita della batteria).
2. Spegnerne la trasmittente.
3. Togliere la batteria dall'aereo.
4. Ricaricare la batteria di bordo.

5. Riparare o sostituire le parti eventualmente danneggiate.
6. Conservare la batteria separatamente dall'aereo, controllandone ogni tanto il livello di carica.
7. Prendere nota delle condizioni in cui si è svolto il volo e dei risultati, per pianificare i voli futuri.

Manutenzione motore



ATTENZIONE: Prima di intervenire sul motore, scollegare sempre la batteria di bordo.

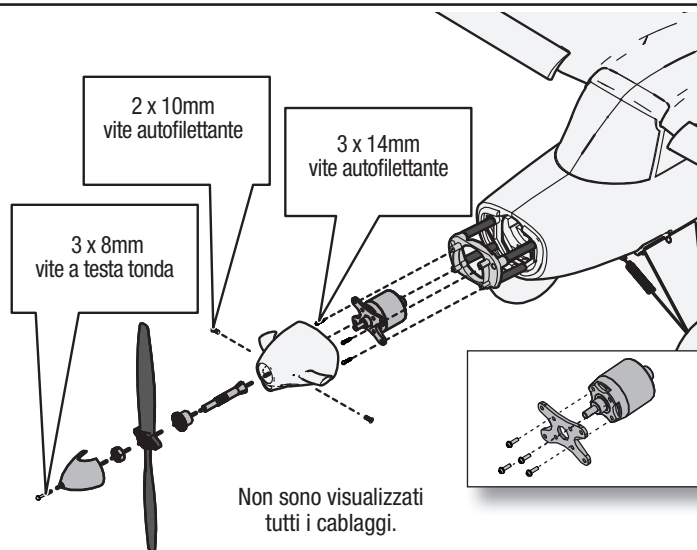
Montaggio

1. Rimuovere la vite ogiva e l'ogiva dall'albero dell'elica.
2. Rimuovere il dado ogiva con una chiave adatta.
3. Rimuovere l'elica, la boccola posteriore e l'albero dell'elica dall'albero motore.
4. Rimuovere le due viti dai lati della carenatura e rimuovere il cofano dalla fusoliera.
5. Rimuovere le 4 viti e il motore con il supporto a X dalla fusoliera.
6. Scollegare i fili elettrici del motore da quelli dell'ESC.
7. Rimuovere le 4 3 x 6mm viti e il motore dal supporto motore a X.

Montaggio

Montare in ordine inverso

- Allineare correttamente e collegare i fili del motore con quelli dell'ESC facendo combaciare i colori.
- Installare l'elica con la parte verniciata rivolta verso la parte opposta al motore.
- Stringere il dado ogiva per fissare l'elica nella sua posizione.



Guida alla risoluzione dei problemi con l'AS3X

Problema	Possibile causa	Soluzione
Oscillazioni	Ogiva o elica danneggiate	Sostituire l'ogiva o l'elica
	Elica non bilanciata	Bilanciare l'elica. Per maggiori informazioni si veda il video su www.horizonhobby.com
	Motore con vibrazioni	Sostituire le parti interessate o allineare tutte le parti stringendo gli elementi di fissaggio secondo necessità.
	Ricevente allentata	Allineare e fissare la ricevente alla fusoliera
	Controlli dell'aereo allentati	Stringere o fissare in altro modo le varie parti (servi, bracci, rinvii, squadrette e superfici di comando)
	Parti usurate	Sostituire le parti usurate (specialmente elica, ogiva o servi)
Prestazioni di volo incostanti	Movimenti irregolari dei servi	Sostituire i servi interessati
	I trim non sono al centro	Se i trim venissero regolati con più di 8 scatti, bisogna intervenire meccanicamente sulle forcelle e riportare i trim al centro
	I sub-trim non sono centrati	I sub-trim non sono ammessi. Bisogna regolare meccanicamente i rinvii
Dalla verifica della direzione dei controlli dell'AS3X risulta che sono sbagliati	L'aereo non è rimasto immobile per 5 secondi dopo aver collegato la batteria	Portare lo stick motore completamente in basso. Scollegare la batteria, poi ricollegarla e mantenere l'aereo fermo per 5 secondi
	Impostazione della direzione sbagliata sulla ricevente che potrebbe anche causare un incidente	NON volare. Prima correggere l'impostazione della direzione (facendo riferimento al manuale della ricevente) e poi volare

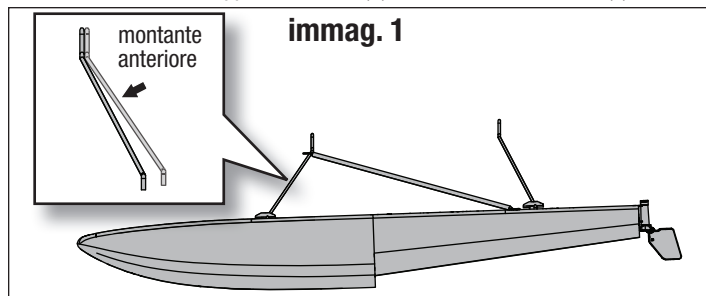
Guida alla soluzione dei problemi

Problema	Possibile causa	Soluzione
L'aereo non risponde al comando motore, ma gli altri comandi rispondono	Lo stick motore e/o il suo trim non sono posizionati in basso	Resettare i comandi con stick e trim motore completamente in basso
	La corsa del servo è minore del 100%	Regolare la corsa ad almeno il 100%
	Il canale del motore è invertito	Invertire il canale del motore
	Il motore è scollegato dal ricevitore	Verificare all'interno della fusoliera che il motore sia collegato al ricevitore
Rumore e vibrazioni dell'elica oltre la norma	Elica, motore, ogiva, adattatore danneggiati	Sostituire le parti danneggiate
	L'elica è sbilanciata	Bilanciare o sostituire l'elica
	Il dado dell'elica si è allentato	Stringere il dado dell'elica
Durata del volo ridotta o aereo sottopotenziato	Batteria di bordo quasi scarica	Ricaricare la batteria di bordo
	Elica montata al contrario	Montare l'elica nel verso giusto
	Batteria di bordo danneggiata	Sostituire la batteria di bordo e seguire le istruzioni
	Ambiente di volo troppo freddo	Verificare che la batteria sia tiepida prima del volo
	La capacità della batteria è troppo bassa per le condizioni di volo	Sostituire la batteria con una più grande
L'aereo non si connette (durante il "binding") al trasmettitore	Il trasmettitore è troppo vicino all'aereo durante la procedura	Spegnere il trasmettitore e allontanarlo maggiormente dall'aereo e poi rifare la procedura
	Il trasmettitore è troppo vicino a grossi oggetti metallici, a sorgenti WiFi o ad altri trasmettitori	Spostare l'aereo e il trasmettitore in un'altra posizione e poi rifare la procedura
	Il "bind plug" non è stato inserito correttamente	Inserire correttamente il "bind plug" e poi rifare la procedura
	Le batterie di trasmettitore/ricevitore sono quasi scariche	Sostituire/ricaricare le batterie
	Il pulsante o l'interruttore appositi non sono stati trattenuti in posizione, abbastanza a lungo, durante la procedura	Spegnere il trasmettitore e rifare la procedura trattenendo più a lungo il pulsante o l'interruttore appositi
L'aereo non si connette (dopo il "binding") al trasmettitore	Il trasmettitore è troppo vicino all'aereo durante la procedura	Spegnere il trasmettitore e allontanarlo maggiormente dall'aereo e poi rifare la procedura
	Il trasmettitore è troppo vicino a grossi oggetti metallici, a sorgenti WiFi o ad altri trasmettitori	Spostare l'aereo e il trasmettitore in un'altra posizione e poi rifare la procedura
	Il "bind plug" è rimasto inserito nella sua porta	Rifare la procedura e poi togliere il "bind plug" prima di spegnere e riaccendere
	L'aereo è connesso con una memoria diversa (solo radio ModelMatch)	Scegliere la memoria giusta sul trasmettitore e rifare la procedura
	Le batterie dell'aereo e del trasmettitore sono quasi scariche	Sostituire o ricaricare le batterie
	Il trasmettitore potrebbe essere stato connesso ad un aereo diverso con un altro protocollo DSM	Connettere l'aereo al trasmettitore
Le superfici di controllo non si muovono	Superfici di comando, squadrette, comandi o servi danneggiati	Riparare o sostituire le parti danneggiate
	Fili danneggiati o connessioni allentate	Controllare i fili e le connessioni facendo poi le debite riparazioni
	Trasmettitore non connesso correttamente o scelta del modello sbagliato	Scegliere il modello giusto o rifare la connessione
	La batteria di bordo è scarica	Ricaricare completamente la batteria di bordo
	Il BEC del regolatore (ESC) è danneggiato	Sostituire l'ESC
Controlli invertiti	Le impostazioni sul trasmettitore sono invertite	Eseguire il controllo sulla direzione dei comandi e sistemare adeguatamente il trasmettitore
Il motore pulsa e perde potenza	La tensione della batteria è scesa sotto il suo valore minimo e quindi si è attivata la funzione LVC sul regolatore	Ricaricare o sostituire la batteria
	La temperatura ambiente potrebbe essere troppo alta	Attendere che la temperatura ambiente diminuisca
	La batteria è vecchia, usurata o danneggiata	Sostituire la batteria
	Il valore di C della batteria è troppo basso	Usare solo le batterie consigliate

Installazione galleggianti (opzionale)

Gruppo galleggianti

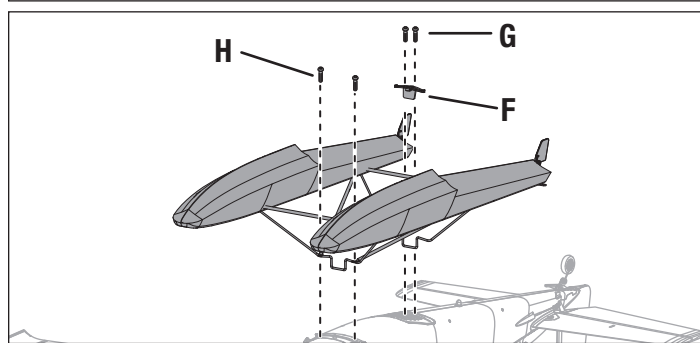
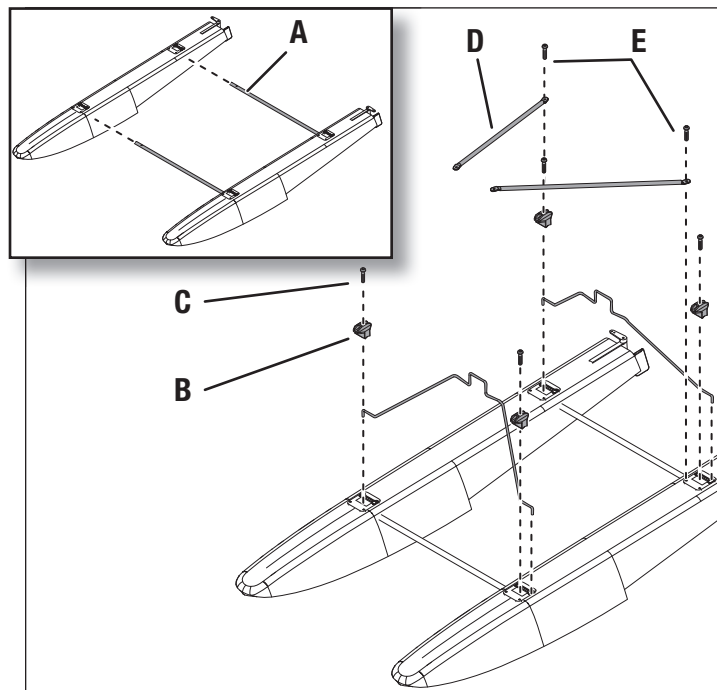
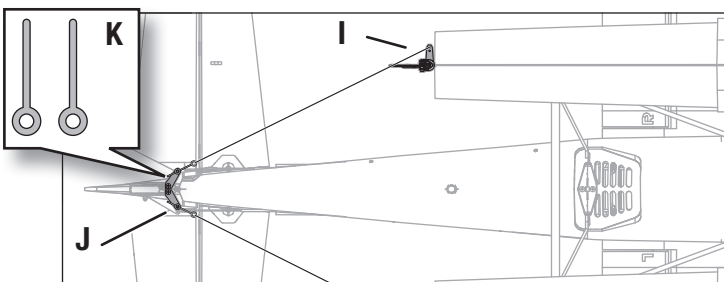
1. Montare i due tiranti trasversali (A) al galleggiante destro e sinistro, come illustrato.
2. Montare i montanti galleggianti anteriore e posteriore ai galleggianti e fissare il gruppo con le 4 piastrine (B) e le viti (C). Il montante anteriore ha un angolo leggermente più grande del montante posteriore (immag. 1)
3. Installare i tiranti di supporto anteriore (D) come illustrato con le viti (E) incluse.



Installazione gruppo galleggianti

1. Allineare e montare il gruppo galleggianti sotto alla fusoliera.
2. Fissare la sezione posteriore dei galleggianti alla fusoliera con il giunto (F) incluso e le due viti (G).
3. Fissare la sezione anteriore dei galleggianti con le due viti incluse (H) per fissare i due tiranti di supporto anteriore sotto alla fusoliera.
4. Fissare il filo incluso (I) di ogni timone galleggiante alla squadretta "pull-pull" (J) con i due perni inclusi (K).

Smontare in ordine inverso.



Decollare dall'acqua

Decollare dall'acqua comporta maggiori rischi perché gli errori di pilotaggio e le condizioni dell'acqua possono portare l'aeromodello ad arenarsi. Si consiglia di provare il decollo dall'acqua solo dopo aver raggiunto un certo grado di confidenza nel decollo dalla terraferma. Non volare mai vicino a persone che pescano, nuotano o giocano.

Pre-volo

Assicurarsi che i galleggianti opzionali siano fissati alla fusoliera e che il timone marino sia agganciato e funzioni correttamente con il timone principale prima di collocare l'aeromodello in acqua. Scegliere una superficie d'acqua che sia priva di correnti, acqua salata e detriti. Osservare l'area circostante e fare attenzione ad alberi, pontili, boe e altri ostacoli. Accompagnarsi sempre a un osservatore ed evitare diportisti, pescatori, persone che nuotano e bagnanti sulla spiaggia.

Rullaggio

Durante il rullaggio, mantenere il comando motore basso e usare il timone per manovrare. Tenere sollevato l'elevatore durante il rullaggio per mantenere il timone marino in acqua e il muso dei galleggianti fuori dall'acqua. Dirigersi verso il vento quando giri, e prendere il vento "a granchio" (crab) se è necessario rullare in controvento. Quando si gira o si prende il vento "a granchio", sollevare l'alettone al vento per mantenere basso il lato sopravvento dell'ala e impedire al vento di rovesciare l'aeromodello. Non applicare abbassare l'elevatore durante rullaggio e corsa di decollo.

Sullo scialino

Quando si dà gas e la velocità sale, i galleggianti si sollevano dall'acqua e iniziano a planare sulla superficie dell'acqua, sorreggendosi sul redan (detto anche scialino). I galleggianti sono sullo scialino a una velocità inferiore rispetto alla velocità di volo, è una fase di transizione quando l'aereo non ha ancora raggiunto la sua velocità di volo. Questa è la fase della planata ad alta velocità. Non tentare di decollare non appena l'aereo sale sullo scialino. Utilizzare comando motore da basso a medio e tenere sollevato l'elevatore per gestire la velocità in acqua durante la fase di planata.

Decollo

Per decollare dall'acqua, impostare i flap in posizione di decollo, tenere sollevato l'elevatore e accelerare l'aeromodello per portarlo sullo scialino. Rilasciare l'elevatore in alto mentre l'aeromodello sale sullo scialino e accelerare alla massima velocità di volo. Quando l'aereo procede a una velocità sufficiente, tirare leggermente indietro l'elevatore per eseguire la rotazione di decollo.

Atterraggio

Per atterrare sull'acqua, impostare i flap in posizione di atterraggio e avvicinarsi nel vento. Ridurre il comando motore a un valore basso, ma mantenere una certa potenza durante l'avvicinamento. Mentre l'aeromobile si assesta in effetto suolo, ridurre completamente il comando motore e sollevare l'elevatore per la richiamata. Tenere sollevato l'elevatore durante la fase di atterraggio e quella di decelerazione sull'acqua.



AVVERTENZA: non tentare mai di recuperare un aereo in acqua nuotando a meno che non si sia sufficientemente addestrati e / o se c'è un'altra persona disponibile a rispondere in caso di emergenza.



ATTENZIONE: predisporre un piano di recupero nel caso in cui l'aeromodello finisca per arenarsi. Mai andare da soli a recuperare un aeromodello in acqua.



ATTENZIONE: se in qualunque momento, degli spruzzi d'acqua dovessero entrare nella fusoliera mentre si vola sull'acqua, portare l'aereo a riva, aprire lo sportello della batteria e togliere subito l'acqua che fosse entrata nella fusoliera. Lasciare aperto lo sportello della batteria per tutta la notte per far evaporare completamente l'umidità finita all'interno per evitare che vada a finire sui circuiti elettronici. In caso contrario le componenti elettroniche potrebbero danneggiarsi e causare malfunzionamenti con possibile caduta dell'aereo.

SUGGERIMENTO: Usare una canna da pesca con una lenza robusta come attrezzo di recupero. Attaccare una palla da tennis alla lenza e lanciare la palla oltre l'aeromodello arenato per recuperarlo.

Garanzia

Periodo di garanzia

Garanzia esclusiva - Horizon Hobby, LLC (Horizon) garantisce che il prodotto acquistato (il "Prodotto") sarà privo di difetti relativi ai materiali e di eventuali errori di montaggio alla data di acquisto. Il periodo di garanzia è conforme alle disposizioni legali del paese nel quale il prodotto è stato acquistato. Tale periodo di garanzia ammonta a 6 mesi e si estende ad altri 18 mesi dopo tale termine.

Limiti della garanzia

(a) La garanzia è limitata all'acquirente originale (Acquirente) e non è cedibile a terzi. L'acquirente ha il diritto a far riparare o a far sostituire la merce durante il periodo di questa garanzia. La garanzia copre solo quei prodotti acquistati presso un rivenditore autorizzato Horizon. Altre transazioni di terze parti non sono coperte da questa garanzia. La prova di acquisto è necessaria per far valere il diritto di garanzia. Inoltre, Horizon si riserva il diritto di cambiare o modificare i termini di questa garanzia senza alcun preavviso e di escludere tutte le altre garanzie già esistenti.

(b) Horizon non si assume alcuna garanzia per la disponibilità del prodotto, per l'adeguatezza o l'idoneità del prodotto a particolari previsti dall'utente. È sola responsabilità dell'acquirente il fatto di verificare se il prodotto è adatto agli scopi da lui previsti.

(c) Richiesta dell'acquirente – spetta soltanto a Horizon, a propria discrezione riparare o sostituire qualsiasi prodotto considerato difettoso e che rientra nei termini di garanzia. Queste sono le uniche rivalse a cui l'acquirente si può appellare, se un prodotto è difettoso.

Horizon si riserva il diritto di controllare qualsiasi componente utilizzato che viene coinvolto nella rivalsa di garanzia. Le decisioni relative alla sostituzione o alla riparazione sono a discrezione di Horizon. Questa garanzia non copre dei danni superficiali o danni per cause di forza maggiore, uso errato del prodotto, un utilizzo che viola qualsiasi legge, regolamentazione o disposizione applicabile, negligenza, uso ai fini commerciali, o una qualsiasi modifica a qualsiasi parte del prodotto.

Questa garanzia non copre danni dovuti ad un'installazione errata, ad un funzionamento errato, ad una manutenzione o un tentativo di riparazione non idonei a cura di soggetti diversi da Horizon. La restituzione del prodotto a cura dell'acquirente, o da un suo rappresentante, deve essere approvata per iscritto dalla Horizon.

Limiti di danno

Horizon non si riterrà responsabile per danni speciali, diretti, indiretti o consequenziali; perdita di profitto o di produzione; perdita commerciale connessa al prodotto, indipendentemente dal fatto che la richiesta si basa su un contratto o sulla garanzia. Inoltre la responsabilità di Horizon non supera mai in nessun caso il prezzo di acquisto del prodotto per il quale si chiede la responsabilità. Horizon non ha alcun controllo sul montaggio, sull'utilizzo o sulla manutenzione del prodotto o di combinazioni di vari prodotti. Quindi Horizon non accetta nessuna responsabilità per danni o lesioni derivanti da tali circostanze. Con l'utilizzo e il montaggio del prodotto l'utente acconsente a tutte le condizioni, limitazioni e riserve di garanzia citate in questa sede. Qualora l'utente non fosse pronto ad assumersi tale responsabilità associata all'uso del prodotto, si suggerisce di restituire il prodotto intatto, mai usato e immediatamente presso il venditore.

Indicazioni di sicurezza

Questo è un prodotto sofisticato di hobbistica e non è un giocattolo. Esso deve essere manipolato con cautela, con giudizio e richiede delle conoscenze basilari di meccanica e delle facoltà mentali di base. Se il prodotto non verrà manipolato in maniera sicura e responsabile potrebbero risultare delle lesioni, dei gravi danni a persone, al prodotto o all'ambiente circostante. Questo prodotto non è concepito per essere usato dai bambini senza una diretta supervisione di un adulto. Il manuale del prodotto contiene le istruzioni di sicurezza, di funzionamento e di manutenzione del prodotto stesso. È fondamentale leggere e seguire tutte le istruzioni e le avvertenze nel manuale prima di mettere in funzione il prodotto. Solo così si eviterà un utilizzo errato e si preverranno incidenti, lesioni o danni.

Domande, assistenza e riparazioni

Il vostro negozio locale e/o luogo di acquisto non possono fornire garanzie di assistenza o riparazione senza previo colloquio con Horizon. Questo vale anche per le riparazioni in garanzia. Quindi in tali casi bisogna interpellare un rivenditore, che si metterà in contatto subito con Horizon per prendere una decisione che vi possa aiutare nel più breve tempo possibile.

Manutenzione e riparazione

Se il prodotto deve essere ispezionato o riparato, si prega di rivolgersi ad un rivenditore specializzato o direttamente ad Horizon. Il prodotto deve essere imballato con cura. Bisogna far notare che i box originali solitamente non sono adatti per effettuare una spedizione senza subire alcun danno. Bisogna effettuare una spedizione via corriere che fornisce una tracciabilità e un'assicurazione, in quanto Horizon non si assume alcuna responsabilità in relazione alla spedizione del prodotto. Inserire il prodotto in una busta assieme ad una descrizione dettagliata degli errori e ad una lista di tutti i singoli componenti spediti. Inoltre abbiamo bisogno di un indirizzo completo, di un numero di telefono per chiedere ulteriori domande e di un indirizzo e-mail.

Garanzia e riparazione

Le richieste in garanzia verranno elaborate solo se è presente una prova d'acquisto in originale proveniente da un rivenditore specializzato autorizzato, nella quale è ben visibile la data di acquisto. Se la garanzia viene confermata, allora il prodotto verrà riparato o sostituito. Questa decisione spetta esclusivamente a Horizon Hobby.

Riparazioni a pagamento

Se bisogna effettuare una riparazione a pagamento, effettueremo un preventivo che verrà inoltrato al vostro rivenditore. La riparazione verrà effettuata dopo l'autorizzazione da parte del vostro rivenditore. La somma per la riparazione dovrà essere pagata al vostro rivenditore. Le riparazioni a pagamento avranno un costo minimo di 30 minuti di lavoro e in fattura includeranno le spese di restituzione. Qualsiasi riparazione non pagata e non richiesta entro 90 giorni verrà considerata abbandonata e verrà gestita di conseguenza.

ATTENZIONE: Le riparazioni a pagamento sono disponibili solo sull'elettronica e sui motori. Le riparazioni a livello meccanico, soprattutto per gli elicotteri e le vetture RC, sono molto costose e devono essere effettuate autonomamente dall'acquirente.

10/15

Garanzia e Assistenza - Informazioni per i contatti

Paese di acquisto	Horizon Hobby	Contatti	Indirizzo
Unione europea	Horizon Technischer Service Sales: Horizon Hobby GmbH	service@horizonhobby.de +49 (0) 4121 2655 100	Hanskampring 9 D 22885 Barsbüttel, Germany

Informazioni sulla conformità per l'Unione Europea

Dichiarazione di Conformità EU:

CE EFL15275 Turbo Timber 1.5m PNP; Horizon Hobby, LLC con la presente dichiara che il prodotto è conforme ai requisiti essenziali e ad altre disposizioni rilevanti della direttiva EMC.

EFL15250 Turbo Timber 1.5m BNF BASIC; Horizon Hobby, LLC con la presente dichiara che il prodotto è conforme ai requisiti essenziali e ad altre disposizioni rilevanti delle direttive RED e EMC.

Una copia della dichiarazione di conformità per l'Unione Europea è disponibile a: <http://www.horizonhobby.com/content/support-render-compliance>.

Istruzioni del RAEE per lo smaltimento da parte di utenti dell'Unione Europea



Questo prodotto non deve essere smaltito assieme ai rifiuti domestici. Al contrario, l'utente è responsabile dello smaltimento di tali rifiuti che devono essere portati in un centro di raccolta designato per il riciclaggio di rifiuti elettrici e apparecchiature elettroniche. La raccolta differenziata e il riciclaggio di tali rifiuti provenienti da apparecchiature nel momento dello smaltimento aiuteranno a preservare le risorse naturali e garantiranno un riciclaggio adatto a proteggere il benessere dell'uomo e dell'ambiente. Per maggiori informazioni sui centri di raccolta, contattare il proprio ufficio locale, il servizio di smaltimento rifiuti o il negozio presso il quale è stato acquistato il prodotto.

Recommended Receivers • Empfohlene Empfänger Récepteurs Recommandés • Ricevitori Raccomandati

PNP Only • Nur PNP • PNP Uniquement • Solo PNP

Part # Nummer Numéro Codice	Description	Beschreibung	Description	Descrizione
SPMAR610	AR610 6-Channel Coated Air Receiver	Ummantelter AR610-6-Kanal-Flugzeugempfänger	Récepteur aérien avec revêtement 6 canaux AR610	Ricevente aereo AR610 6 canali con rivestimento
SPMAR620	AR620 6-Channel Air Receiver	AR620-6-Kanal-Flugzeugempfänger	Récepteur aérien 6 canaux AR620	Ricevente aereo AR620 6 canali
	Telemetry Equipped Receivers	Empfänger mit Telemetrie	Récepteurs avec télémétrie	Riceventi con telemetria
SPMAR6600T	AR6600T 6-Channel Air Integrated Telemetry Receiver	AR6600T-6-Kanal-Flugzeugempfänger mit integrierter Telemetrie	Récepteur aérien avec télémétrie intégrée 6 canaux AR6600T	Ricevente aereo AR6600T 6 canali con telemetria integrata
SPMAR6270T	AR6270T 6-Channel Carbon Fuse Integrated Telemetry Receiver	AR6270T-6-Kanal-Karbon-Sicherungsempfänger mit integrierter Telemetrie	Récepteur à fusibles en carbone avec télémétrie intégrée 6 canaux AR6270T	Ricevente AR6270T 6 canali con telemetria integrata per fusoliera in carbonio
SPMAR8010T	AR8010T 8-Channel Air Integrated Telemetry Receiver	AR8010T-8-Kanal-Flugzeugempfänger mit integrierter Telemetrie	Récepteur aérien avec télémétrie intégrée 8 canaux AR8010T	Ricevente aereo AR8010T 8 canali con telemetria integrata
SPMAR9030T	AR9030T 9-Channel Air Integrated Telemetry Receiver	AR9030T-9-Kanal-Flugzeugempfänger mit integrierter Telemetrie	Récepteur aérien avec télémétrie intégrée 9 canaux AR9030T	Ricevente aereo AR9030T 9 canali con telemetria integrata
	AS3X Equipped Receivers	AS3X-Empfänger	Récepteurs avec AS3X	Riceventi con AS3X
SPMAR636	AR636 6-Channel AS3X Sport Receiver	AR636-6-Kanal-AS3X-Sportempfänger	Récepteur AS3X sport 6 canaux AR636	AR636 ricevitore sportivo a 6 canali AS3X
	AS3X and Telemetry Equipped Receivers	AS3X- und Telemetrieempfänger	Récepteurs avec AS3X et télémétrie	Riceventi con AS3X e telemetria
SPMAR7350	AR7350 7-Channel AS3X Receiver with Integrated Telemetry	AR7350-7-Kanal-Empfänger	Récepteur 7 canaux AR7350	Ricevente AR7350 7 canali
SPMAR9350	AR9350 7-Channel AS3X Receiver with Integrated Telemetry	AR9350-7-Kanal-Empfänger	Récepteur 7 canaux AR9350	Ricevente AR9350 7 canali
	Telemetry Sensors*	Telemetriesensoren*	Capteurs télémétriques*	Sensori di telemetria*
SPMA9574	Aircraft Telemetry Airspeed Indicator	Flugzeugtelemetrie-Luftgeschwindigkeitsanzeige	Indicateur télémétrique de vitesse aérodynamique pour avion	Telemetria per aerei - Anemometro
SPMA9589	Aircraft Telemetry Altitude and Variometer Sensor	Flugzeugtelemetrie-Höhen- und Variometer-Sensor	Indicateur télémétrique d'altitude et variomètre pour avion	Telemetria per aerei - Sensore altimetrico e variometro
SPMA9558	Brushless RPM Sensor	Bürstenloser Drehzahlsensor	Capteur de tr/min sans balai	Sensore RPM brushless
SPMA9605	Aircraft Telemetry Flight Pack Battery Energy Sensor	Flugzeugtelemetrie-Flugakkupack-Energiesensor	Capteur télémétrique de niveau de batterie de vol pour avion	Telemetria per aerei - Sensore per la misura dell'energia della batteria di bordo
SPMA9587	Aircraft Telemetry GPS Sensor	Flugzeugtelemetrie-GPS-Sensor	Capteur télémétrique GPS pour avion	Telemetria per aerei - Sensore GPS

*Not compatible with BNF, Telemetry receiver required

*Nicht kompatibel mit BNF, Telemetrieempfänger erforderlich

*Non compatible avec les modèles BNF, récepteur télémétrique requis

*Non compatibile con BNF, necessita di ricevente con telemetria

Replacement Parts • Ersatzteile • Pièces de rechange • Pezzi di ricambio

Part # Nummer Numéro Codice	Description	Beschreibung	Description	Descrizione
EFL17554	Fuselage: Turbo Timber	Turbo Timber: Rumpf	Turbo Timber - Fuselage	Fusoliera: Turbo Timber
EFL17555	Wing: Turbo Timber	Turbo Timber: Tragflächen	Turbo Timber - Aile	Set ali: Turbo Timber
EFL5253	Battery Hatch: Timber X	Timber X: Akkuhaube	Timber X - Trappe de batterie	Sportello batteria: Timber X
EFL17551	Cowl: Turbo Timber	Turbo Timber: Motorhaube	Turbo Timber - Capot	Naca motore: Turbo Timber
EFL5255	Leading Edge Slats: Timber	Timber : Vorflügel	Timber - Becs de bord d'attaque	Ipersostentatori di bordo d'attacco dell'ala: Timber
EFL5256	Hardware Set: Timber	Timber: Kleinteile	Timber - Visserie	Set hardware: Timber
EFL5257	Landing gear set: Timber	Timber: Fahrwerk	Timber - Train d'atterrissage	Set carrello: Timber
EFL5258	Wheel Set: Timber	Timber: Radset	Timber - Roues	Set ruote: Timber
EFL5259	Horizontal Stab w/tube: Timber	Timber : Höhenleitwerk mit Verbinder	Timber - Stabilisateur	Stabilizzatore orizzontale con baionetta: Timber
EFL5260	Pushrod Set: Timber	Timber: Gestängeset	Timber - Tringleries	Set aste comandi: Timber
EFL17553	Spinner: Turbo Timber	Turbo Timber: Spinner	Turbo Timber - Cône	Ogiva: Turbo Timber
EFL5263	Prop Adapter: Timber	Timber: Propelleradapter	Timber - Adaptateur d'hélice	Adattatore elica: Timber
EFL5264	Motor Mount: Timber	Timber: Motorhalter	Timber - Support moteur	Supporto motore: Timber
EFL5265	Plastic Parts Set: Timber	Timber: Kunststoffteile	Timber - Pièces plastique	Set parti in plastica: Timber
EFL5266	Decal Sheet: Timber	Timber: Dekorbogen	Timber - Feuille de décalque	Foglio decalcomania: Timber
EFL5267	Landing Gear Retainer: Timber	Timber: Fahrwerkshalter	Timber - Bague de train d'atterrissage	Fermo carrello d'atterraggio: Timber
EFL5268	Landing Gear Springs: Timber	Timber: Fahrwerksfedern	Timber - Ressorts de train d'atterrissage	Primavere di ruota: Timber
EFL5269	Wing and Stab Tube: Timber	Timber: Flügel und Stabrohr	Timber - Tube aile et canne	Tubo per ala e paletto: Timber
EFL5962	Propeller: 11 x 7.5 3-blade	Drei-Blatt-Propeller 11 x 7.5	Hélice à trois pales 11 x 7.5	Elica a tre pale: 11 x 7.5
EFLM17552	Motor 10BL: 800Kv	10BL Brushless outrunner 800Kv	10BL Brushless outrunner 800Kv	10BL Brushless outrunner 800Kv
EFLM108019	Motor Shaft: Ultimate 2	Ultimate 2: Motorwelle	Ultimate 2 - Axe moteur	Albero motore: Ultimate 2
EFLA1050	50A Brushless ESC	50A ESC Regler	Contrôleur 50A	ESC 50A
SPMSA370	9 Gram Servo	9 Gram Servo	Servo 9 gr	Servocomando 9 g
SPMAR636	AR636 6-Channel AS3X Sport Receiver	AR636 6-Kanal AS3X Sport Empfänger	Récepteur AR636 6 voies	Ricevente AR636 AS3X sport a 6 canali
EFL5261	Float Set: Timber	Timber: Schwimmerset	Timber - Flotteurs	Set galleggianti: Timber

Optional Parts • Optionale Bauteile • Pièces optionnelles • Pezzi opzionali

Part # Nummer Numéro Codice	Description	Beschreibung	Description	Descrizione
EFLA250	Park Flyer Tool Assortment, 5 pc	Park Flyer Werkzeugsortiment, 5 teilig	Assortiment d'outils park flyer, 5pc	Park Flyer assortimento attrezzi, 5 pc
EFLAEC302	EC3 Battery Connector, Female (2)	EC3 Akkukabel, Buchse (2)	Prise EC3 femelle (2pc)	EC3 Connettore femmina x batteria (2)
EFLAEC303	EC3 Device/Battery Connector, Male/Female	EC3 Kabelsatz, Stecker/Buchse	Prise EC3 male/femelle	EC3 Connettore batteria maschio/femmina
EFLB22003S30	11.1V 3S 30C 2200mAh Li-Po	11.1V 3S 30C 2200mAh LiPo	Li-Po 3S 11,1V 2200mA 30C	11.1V 3S 30C 2200MAH Li-Po
SPMX22003S30	11.1V 3S 30C 2200mAh Smart Li-Po	11.1V 3S 30C 2200mAh Smart LiPo	Smart Li-Po 3S 11,1V 2200mA 30C	11.1V 3S 30C 2200MAH Smart Li-Po
EFLB22004S30	14.4V 4S 30C 2200mAh Li-Po	14.4V 4S 30C 2200mAh LiPo	Li-Po 4S 14,4V 2200mA 30C	14.4V 4S 30C 2200MAH Li-Po
SPMX22004S30	14.4V 4S 30C 2200mAh Smart Li-Po	14.4V 4S 30C 2200mAh Smart LiPo	Smart Li-Po 4S 14,4V 2200mA 30C	14.4V 4S 30C 2200MAH Smart Li-Po
EFLB25003S30	11.1V 3S 30C 2500mAh Li-Po	11.1V 3S 30C 2500mAh LiPo	Li-Po 3S 11,1V 2500mA 30C	11.1V 3S 30C 2500MAH Li-Po
EFLB32003S30	11.1V 3S 30C 3200mAh Li-Po	11.1V 3S 30C 3200mAh LiPo	Li-Po 3S 11,1V 3200mA 30C	11.1V 3S 30C 3200MAH Li-Po
SPMX32003S30	11.1V 3S 30C 3200mAh Smart Li-Po	11.1V 3S 30C 3200mAh Smart LiPo	Smart Li-Po 3S 11,1V 3200mA 30C	11.1V 3S 30C 3200MAH Smart Li-Po
EFLB32004S30	14.4V 4S 30C 3200mAh Li-Po	14.4V 4S 30C 3200mAh LiPo	Li-Po 4S 14,4V 3200mA 30C	14.4V 4S 30C 3200MAH Li-Po
SPMXC1000	Smart S1200 DC Charger, 1x200W	Smart S1200 DC Ladegerät, 1x200W	Smart S1200 DC Chargeur, 1x200W	Smart S1200 DC Caricabatteria, 1x200W
SPMXC1010	Smart S2100 AC Charger, 2x100W	Smart S2100 AC Ladegerät, 2x100W	Smart S2100 AC Chargeur, 2x100W	Smart S2100 AC Caricabatteria, 2x100W
DYNC3005	Passport Duo 400W Dual AC/DC Touch Charger	Passport Duo 400 W Duales Wechsel-/Gleichstrom-Ladegerät	Chargeur Passport Duo 400W AC/DC, écran tactile	Caricabatteria AC/DC Passport Duo Touch 400 W
KXSC1004	KX50D Duo 2 x 50W AC/DC Charger	KX50D Duo 2 x 50 W Wechsel-/Gleichstrom-Ladegerät	Chargeur KX50D Duo 2 x 50W AS/DC	Caricabatteria AC/DC KX50D Duo 2 x 50 W
DYNC2010CA	Prophet Sport Plus 50W AC/DC Charger	Dynamite Ladegerät Prophet Sport Plus 50W AC/DC EU	Chargeur Prophet Sport Plus 50W AC/DC	Caricabatterie Prophet Sport Plus 50W AC/DC
SPMA3081	AS3X Programming Cable - Audio Interface	Spektrum Audio-Interface AS3X Empfänger Programmierkabel	Câble de programmation audio AS3X pour smartphone	Cavo di programmazione AS3X - Interfaccia audio
SPMA3065	AS3X Programming Cable - USB Interface	Spektrum USB-Interface AS3X Empfänger Programmierkabel	Câble de programmation USB AS3X pour PC	Cavo di programmazione AS3X - Interfaccia USB
EFLA111	Li-Po Cell Voltage Checker	Li-Po Cell Voltage Checker	Testeur de tension d'éléments Li-Po	Voltmetro verifica batterie LiPo
DYN1405	Li-Po Charge Protection Bag, Large	Dynamite LiPoCharge Protection Bag groß	Sac de charge Li-Po, grand modèle	Sacchetto grande di protezione per carica LiPo
DYN1400	Li-Po Charge Protection Bag, Small	Dynamite LiPoCharge Protection Bag klein	Sac de charge Li-Po, petit modèle	Sacchetto piccolo di protezione per carica LiPo
	DXe DSMX 6-Channel Transmitter	Spektrum DXe DSMX 6-Kanal Sender	Emetteur DXe DSMX 6 voies	DXe DSMX Trasmettitore 6 canali
	DX6eDSMX 6-Channel Transmitter	Spektrum DX6e DSMX 6-Kanal Sender	Emetteur DX6e DSMX 6 voies	DX6e DSMX Trasmettitore 6 canali
	DX6 DSMX 6-Channel Transmitter	Spektrum DX6 DSMX 6-Kanal Sender	Emetteur DX6 DSMX 6 voies	DX6 DSMX Trasmettitore 6 canali
	DX7G2 DSMX 7-Channel Transmitter	Spektrum DX7 DSMX 7 Kanal Sender	Emetteur DX7 DSMX 7 voies	DX7 DSMX Trasmettitore 7 canali
	DX8eDSMX 8-Channel Transmitter	Spektrum DX8e DSMX 8-Kanal Sender	Emetteur DX8e DSMX 8 voies	DX8e DSMX Trasmettitore 8 canali
	DX8G2 DSMX 8-Channel Transmitter	Spektrum DX8G2 DSMX 8 Kanal Sender	Emetteur DX8G2 DSMX 8 voies	DX8G2 DSMX Trasmettitore 8 canali
	DX9 DSMX 9-Channel Transmitter	Spektrum DX9 DSMX 9 Kanal Sender	Emetteur DX9 DSMX 9 voies	DX9 DSMX Trasmettitore 9 canali
	DX18 DSMX 18-Channel Transmitter	Spektrum DX18 DSMX 18 Kanal Sender	Emetteur DX18 DSMX 18 voies	DX18 DSMX Trasmettitore 18 canali
	DX20 DSMX 20-Channel Transmitter	Spektrum DX20 DSMX 20 Kanal Sender	Emetteur DX20 DSMX 20 voies	DX20 DSMX Trasmettitore 20 canali
	iX12 DSMX 12-Channel Transmitter	Spektrum iX12 DSMX 12 Kanal Sender	Emetteur iX12 DSMX 12 voies	iX12 DSMX Trasmettitore 12 canali



© 2019 Horizon Hobby, LLC.

E-Flite, Timber, AS3X, DSM, DSM2, DSMX, Airware, Bind-N-Fly, BNF, the Bind-N-Fly logo, Plug-N-Play, SAFE, the SAFE logo, ModelMatch, Dynamite, EC3, Kinexsis, Passport, Prophet and the Horizon Hobby logo are trademarks or registered trademarks of Horizon Hobby, LLC.

The Spektrum trademark is used with permission of Bachmann Industries, Inc.

Futaba is a registered trademark of Futaba Denshi Kogyo Kabushiki Kaisha Corporation of Japan.

All other trademarks, service marks and logos are property of their respective owners.

US 9,056,667. US 8,672,726. Other patents pending.