

SPEKTRUM SPMXSM1700 FIRMA™ 2050KV BRUSHLESS MOTOR

SPMXSM1700

Instruction Manual | Bedienungsanleitung | Manuel d'utilisation | Manuale di Istruzioni

NOTICE
All instructions, warranties and other collateral documents are subject to change at the sole discretion of Horizon Hobby, LLC. For up-to-date product literature, visit horizonhobby.com or towerhobbies.com and click on the support or resources tab for this product.

Meaning of Special Language
The following terms are used throughout the product literature to indicate various levels of potential harm when operating this product:
WARNING: Procedures, which if not properly followed, create the probability of property damage, collateral damage, and serious injury OR create a high probability of superficial injury.
CAUTION: Procedures, which if not properly followed, create the probability of physical property damage AND a possibility of serious injury.
NOTICE: Procedures, which if not properly followed, create a possibility of physical property damage AND a little or no possibility of injury.

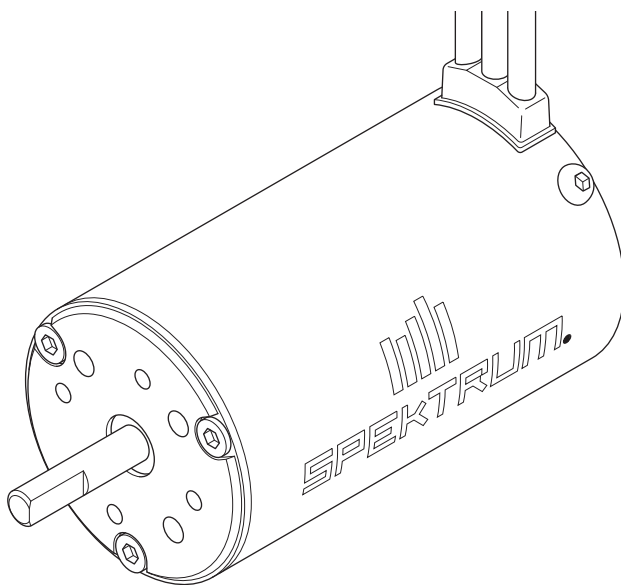
WARNING: Read the ENTIRE instruction manual to become familiar with the features of the product before operating. Failure to operate the product correctly can result in damage to the product, personal property and cause serious injury. This is a sophisticated hobby product. It must be operated with caution and common sense and requires some basic mechanical ability. Failure to operate this Product in a safe and responsible manner could result in injury or damage to the product or other property. This product is not intended for use by children without direct adult supervision. Do not attempt disassembly, use with incompatible components or augment product in any way without the approval of Horizon Hobby, LLC. This manual contains instructions for safety, operation and maintenance. It is essential to read and follow all the instructions and warnings in the manual, prior to assembly, setup or use, in order to operate correctly and avoid damage or serious injury.

Age Recommendation: Not for children under 14 years. This is not a toy.

NOTICE: This product is only intended for use with unmanned, hobby-grade, remote-controlled vehicles and aircraft. Horizon Hobby disclaims all liability outside of the intended purpose and will not provide warranty service related thereto.

System Specifications

Bearings or Bushings	Bearings
Cells	3–6 Cell LiPo
Connector Type	4mm Bullet
Efficiency	85%
Input Voltage	12.6–25.2V
Maximum Continuous Current	62A
Motor Type	Brushless
Number of Poles	4
Output	5050W (6S)
Overall Diameter	1.7" (40mm)
Overall Length	2.9" (74mm)
RPM/Volt (Kv)	2050Kv
Recommended Speed Control	Spektrum Firma 150 Smart ESC
Shaft Diameter	5mm
Size	4074
Weight	14.6oz (415g)
Wire Gauge	10 AWG



Gearing

Improper gearing will cause excessive heat buildup in the motor and speed control. Use your vehicle's kit manual in order to find the manufacturer's recommended pinion size. It is best to monitor the system's operating temperature when you are operating on new and different tracks or racing surfaces. Your system's operating temperature should never exceed 160°F (71°C). The best place to

monitor the system's temperature is at the center of the end bell. If the temperature is higher than 160°F (71°C) after a 5 minute run, the gearing should be lowered (change to a smaller pinion gear).

CAUTION: Once the battery is connected to the system, stay clear of the rotating shaft and pinion gear. Failure to do so could result in personal injury.

Installation of the System

Always ensure the mounting screws are long enough to properly seat into the motor. However, ensure the screws do not enter into the motor too far, which could cause damage.

The maximum depth that the mounting screws can enter into the motor is approximately 3/16 in (5mm). We suggest using the mounting hardware included with your vehicle. The use of screws that are too long will damage the system and void any warranty. When installing the motor into your vehicle, it is very important that the gear mesh is correct and smooth with no binding. The vehicle's motor mounts usually feature adjustable slotted mounting holes so that you can adjust the gear mesh properly.

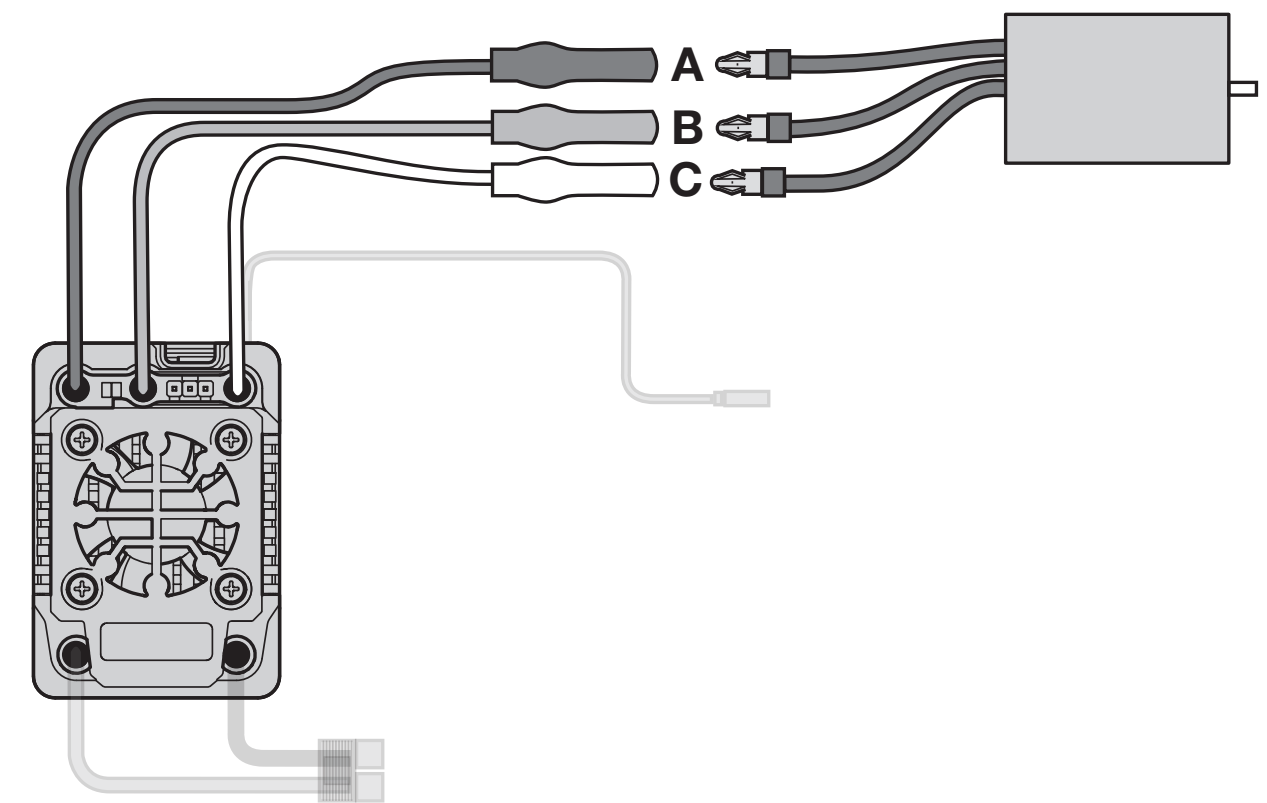
Proper gear mesh (how gear teeth meet) is important to the performance of the vehicle. When the gear mesh is too loose, the spur gear could be damaged by the pinion gear of the motor. If the mesh is too tight, speed could be limited and the system will overheat. Insert a small piece of paper in between the pinion and spur gears as you are installing them. Push the gears together while tightening the screws that mount the system. When the mesh is at the correct distance, remove the small piece of paper by rotating the spur gear until the paper comes out. Check the mesh at multiple points around the larger spur gear before finalizing the motor mounting position.

Connecting the Motor to the ESC

- Connect ESC Terminal A to Motor Terminal A.
- Connect ESC Terminal B to Motor Terminal B.
- Connect ESC Terminal C to Motor Terminal C.

Follow the ESC manufacturer's instructions for additional setup and programming. If the motor happens to run in the opposite direction for your vehicle type, reverse any two motor wires.

NOTICE: Always disconnect the battery from the system when you have finished operating your vehicle. The system's switch only controls power to the receiver and servos. The system will continue to draw current when connected to the battery, resulting in possible damage to the battery through over-discharge.



1-Year Limited Warranty

What this Warranty Covers

Horizon Hobby, LLC, (Horizon) warrants to the original purchaser that the product purchased (the "Product") will be free from defects in materials and workmanship for a period of 1 year from the date of purchase.

What is Not Covered

This warranty is not transferable and does not cover (i) cosmetic damage, (ii) damage due to acts of God, accident, misuse, abuse, negligence, commercial use, or due to improper use, installation, operation or maintenance, (iii) modification of or to any part of the Product, (iv) attempted service by anyone other than a Horizon Hobby authorized service center, (v) Product not purchased from an authorized Horizon dealer, (vi) Product not compliant with applicable technical regulations, or (vii) use that violates any applicable laws, rules, or regulations.

OTHER THAN THE EXPRESS WARRANTY ABOVE, HORIZON MAKES NO OTHER WARRANTY OR REPRESENTATION, AND HEREBY DISCLAIMS ANY AND ALL IMPLIED WARRANTIES, INCLUDING, WITHOUT LIMITATION, THE IMPLIED WARRANTIES OF NON-INFRINGEMENT, MERCHANTABILITY AND FITNESS FOR A PARTICULAR PURPOSE. THE PURCHASER ACKNOWLEDGES THAT THEY ALONE HAVE DETERMINED THAT THE PRODUCT WILL SUITABLY MEET THE REQUIREMENTS OF THE PURCHASER'S INTENDED USE.

Purchaser's Remedy

Horizon's sole obligation and purchaser's sole and exclusive remedy shall be that Horizon will, at its option, either (i) service, or (ii) replace, any Product determined by Horizon to be defective. Horizon reserves the right to inspect any and all Product(s) involved in a warranty claim. Service or replacement decisions are at the sole discretion of Horizon. Proof of purchase is required for all warranty claims. SERVICE OR REPLACEMENT AS PROVIDED UNDER THIS WARRANTY IS THE PURCHASER'S SOLE AND EXCLUSIVE REMEDY.

Limitation of Liability

HORIZON SHALL NOT BE LIABLE FOR SPECIAL, INDIRECT, INCIDENTAL OR CONSEQUENTIAL DAMAGES, LOSS OF PROFITS OR PRODUCTION OR COMMERCIAL LOSS IN ANY WAY, REGARDLESS OF WHETHER SUCH CLAIM IS BASED IN CONTRACT, WARRANTY, TORT, NEGLIGENCE, STRICT LIABILITY OR ANY OTHER THEORY OF LIABILITY, EVEN IF HORIZON HAS BEEN ADVISED OF THE POSSIBILITY OF SUCH DAMAGES. Further, in no event shall the liability of Horizon exceed the individual price of the Product on which liability is asserted. As Horizon has no control over use, setup, final assembly, modification or misuse, no liability shall be assumed nor accepted for any resulting damage or injury. By the act of use, setup or assembly, the user accepts all resulting liability. If you as the purchaser or user are not prepared to accept the liability associated with the use of the Product, purchaser is advised to return the Product immediately in new and unused condition to the place of purchase.

Law

These terms are governed by Illinois law (without regard to conflict of law principals). This warranty gives you specific legal rights, and you may also have other rights which vary from state to state. Horizon reserves the right to change or modify this warranty at any time without notice.

WARRANTY SERVICES

Questions, Assistance, and Services

Your local hobby store and/or place of purchase cannot provide warranty support or service. Once assembly, setup or use of the Product has been started, you must contact your local distributor or Horizon directly. This will enable Horizon to better answer your questions and service you in the event that you may need any assistance. For questions or assistance, please visit our website

10/15

Warranty and Service Contact Information

Country of Purchase	Horizon Hobby	Contact Information	Address
United States of America	Horizon Service Center (Repairs and Repair Requests)	servicecenter.horizonhobby.com/RequestForm/	2904 Research Rd. Champaign, Illinois 61822 USA
	Horizon Product Support (Product Technical Assistance)	productsupport@horizonhobby.com 877-504-0233	
	Sales	websales@horizonhobby.com 800-338-4639	

Compliance Information for the European Union

EU Compliance Statement: Horizon Hobby, LLC hereby declares that this product is in compliance with the essential requirements and other relevant provisions of the EMC Directive.

Instructions for disposal of WEEE by users in the European Union

This product must not be disposed of with other waste. Instead, it is the user's responsibility to dispose of their waste equipment by handing it over to a designated collection point for the recycling of waste electrical and electronic equipment. The separate collection and recycling of your



at www.horizonhobby.com, submit a Product Support Inquiry, or call the toll free telephone number referenced in the Warranty and Service Contact Information section to speak with a Product Support representative.

Inspection or Services

If this Product needs to be inspected or serviced and is compliant in the country you live and use the Product in, please use the Horizon Online Service Request submission process found on our website or call Horizon to obtain a Return Merchandise Authorization (RMA) number. Pack the Product securely using a shipping carton. Please note that original boxes may be included, but are not designed to withstand the rigors of shipping without additional protection. Ship via a carrier that provides tracking and insurance for lost or damaged parcels, as Horizon is not responsible for merchandise until it arrives and is accepted at our facility. An Online Service Request is available at http://www.horizonhobby.com/content/service-center_render-service-center. If you do not have internet access, please contact Horizon Product Support to obtain a RMA number along with instructions for submitting your product for service. When calling Horizon, you will be asked to provide your complete name, street address, email address and phone number where you can be reached during business hours. When sending product into Horizon, please include your RMA number, a list of the included items, and a brief summary of the problem. A copy of your original sales receipt must be included for warranty consideration. Be sure your name, address, and RMA number are clearly written on the outside of the shipping carton.

NOTICE: Do not ship LiPo batteries to Horizon. If you have any issue with a LiPo battery, please contact the appropriate Horizon Product Support office.

Warranty Requirements

For Warranty consideration, you must include your original sales receipt verifying the proof-of-purchase date. Provided warranty conditions have been met, your Product will be serviced or replaced free of charge. Service or replacement decisions are at the sole discretion of Horizon.

Non-Warranty Service

Should your service not be covered by warranty, service will be completed and payment will be required without notification or estimate of the expense unless the expense exceeds 50% of the retail purchase cost. By submitting the item for service you are agreeing to payment of the service without notification. Service estimates are available upon request. You must include this request with your item submitted for service. Non-warranty service estimates will be billed a minimum of ½ hour of labor. In addition you will be billed for return freight. Horizon accepts money orders and cashier's checks, as well as Visa, MasterCard, American Express, and Discover cards. By submitting any item to Horizon for service, you are agreeing to Horizon's Terms and Conditions found on our website http://www.horizonhobby.com/content/service-center_render-service-center.

ATTENTION: Horizon service is limited to Product compliant in the country of use and ownership. If received, a non-compliant Product will not be serviced. Further, the sender will be responsible for arranging return shipment of the un-serviced Product, through a carrier of the sender's choice and at the sender's expense. Horizon will hold non-compliant Product for a period of 60 days from notification, after which it will be discarded.

HINWEIS
Allen Anweisungen, Garantien und anderen zugehörigen Dokumenten sind Änderungen nach Ermessen von Horizon Hobby, LLC vorbehalten. Aktuelle Produktliteratur finden Sie unter www.horizonhobby.com oder www.towerhobbies.com im Support-Abschnitt für das Produkt.

Spezielle Bedeutungen
Die folgenden Begriffe werden in der gesamten Produktliteratur verwendet, um auf unterschiedlich hohe Gefahrenrisiken beim Betrieb dieses Produkts hinzuweisen:

WARNING: Wenn diese Verfahren nicht korrekt befolgt werden, ergeben sich wahrscheinlich Sachschäden, Kollateralschäden und schwere Verletzungen ODER mit hoher Wahrscheinlichkeit oberflächliche Verletzungen.

ACHTUNG: Wenn diese Verfahren nicht korrekt befolgt werden, ergeben sich wahrscheinlich Sachschäden UND die Gefahr von schweren Verletzungen.

HINWEIS: Wenn diese Verfahren nicht korrekt befolgt werden, können sich möglicherweise Sachschäden UND geringe oder keine Gefahr von Verletzungen ergeben.

WARNING: Lesen Sie die GESAMTE Bedienungsanleitung, um sich vor dem Betrieb mit den Produktfunktionen vertraut zu machen. Wird das Produkt nicht korrekt betrieben, kann dies zu Schäden am Produkt oder persönlichem Eigentum führen oder schwere Verletzungen verursachen.

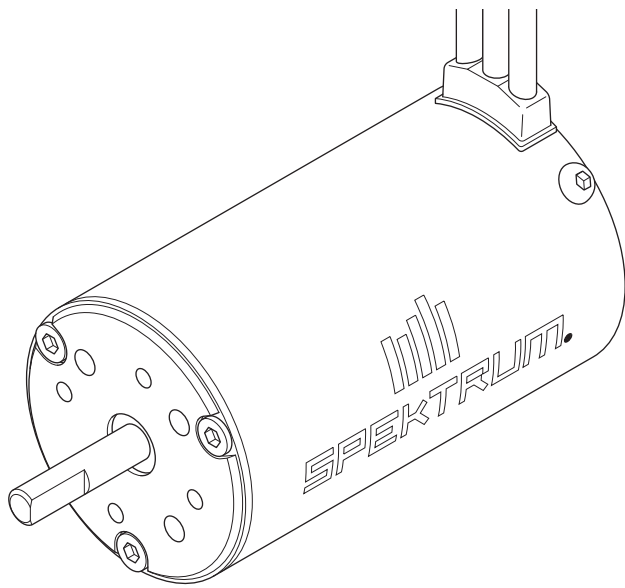
Dies ist ein hochwertiges Hobby-Produkt. Es muss mit Vorsicht und gesundem Menschenverstand betrieben werden und benötigt gewisse mechanische Grundfähigkeiten. Wird dieses Produkt nicht auf eine sichere und verantwortungsvolle Weise betrieben, kann dies zu Verletzungen oder Schäden am Produkt oder anderen Sachwerten führen. Dieses Produkt eignet sich nicht für die Verwendung durch Kinder ohne direkte Überwachung eines Erwachsenen. Versuchen Sie nicht ohne Genehmigung durch Horizon Hobby, LLC, das Produkt zu zerlegen, es mit inkompatiblen Komponenten zu verwenden oder auf jegliche Weise zu erweitern. Diese Bedienungsanleitung enthält Anweisungen für Sicherheit, Betrieb und Wartung. Es ist unbedingt notwendig, vor Zusammenbau, Einrichtung oder Verwendung alle Anweisungen und Warnhinweise im Handbuch zu lesen und zu befolgen, damit es bestimmungsgemäß betrieben werden kann und Schäden oder schwere Verletzungen vermieden werden.

Nicht geeignet für Kinder unter 14 Jahren. Dies ist kein Spielzeug.

HINWEIS: Dieses Produkt ist ausschließlich für die Verwendung in unbemannten, ferngesteuerten Fahrzeugen und Fluggeräten im Hobbybereich vorgesehen. Hor. Horizon Hobby lehnt jede Haftung und Garantieleistung ausserhalb der vorgesehen Verwendung ab.

Systemspezifikationen

Lager oder Buchsen	Lager
Zellen	3–6-zelligen LiPo
Anschlusstyp	4 mm rund
Wirkungsgrad	85 %
Eingangsspannung	12,6–25,2 V
Maximaler Dauerstrom	62 A
Motortyp	Bürstenlos
Anzahl der Pole	4
Ausgang	5050W (6S)
Gesamtdurchmesser	40 mm
Gesamtlänge	74 mm
Umdrehung/Volt (kV)	2050 kV
Empfohlener Geschwindigkeitsregler	Spektrum Firma 150 Smart Geschwindigkeitsregler
Wellendurchmesser	5 mm
Größe	4074
Gewicht	415 g
Drahtlehre	10 AWG



Getriebe

Ist das Getriebe nicht korrekt eingerichtet, führt dies zu einer übermäßigen Wärmebildung im Inneren von Motor und Drehzahlregler. Die vom Hersteller empfohlene Zahnradgröße entnehmen Sie bitte der Bedienungsanleitung zu Ihrem Fahrzeug. Wenn Sie auf einer neuen Piste oder einer Rennoberfläche fahren, sollten Sie die Betriebstemperatur des Systems überwachen. Die Betriebstemperatur Ihres Systems sollte 71° C keinesfalls übersteigen. Am besten überwachen Sie die Systemtemperatur in

der Mitte des Lagerschilts. Liegt die Temperatur nach fünfminütigem Betrieb über 71° C, sollte ein kleineres Getriebe gewählt werden (Wechsel zu einem kleineren Zahnradgetriebe).

ACHTUNG: Sobald der Akku mit dem System verbunden wird, berühren Sie die rotierende Welle und das Zahnradgetriebe nicht mehr. Tun Sie dies dennoch, könnte dies Verletzungen nach sich ziehen.

Installation des Systems

Achten Sie stets darauf, dass die Befestigungsschrauben ausreichend lang sind, um richtig im Motor zu sitzen. Die maximale Tiefe der Befestigungsschrauben im Motor beträgt ca. 5 mm (3/16 Zoll). Wir empfehlen Ihnen, die im Lieferumfang begriffenen Montagematerialien zu verwenden. Werden Schrauben verwendet, die zu lang sind, führt dies zu Schäden am System und zum Erlöschen der Garantie.

Bei der Installation des Motors im Fahrzeug muss unbedingt darauf geachtet werden, dass das Zahngetriebe korrekt und glatt läuft, ohne hängen zu bleiben. Die Motoraufhängung des Fahrzeugs sind in der Regel mit verstellbaren, geschlitzten Montageöffnungen ausgestattet, so dass Sie das Zahngetriebe angemessen ausrichten können.

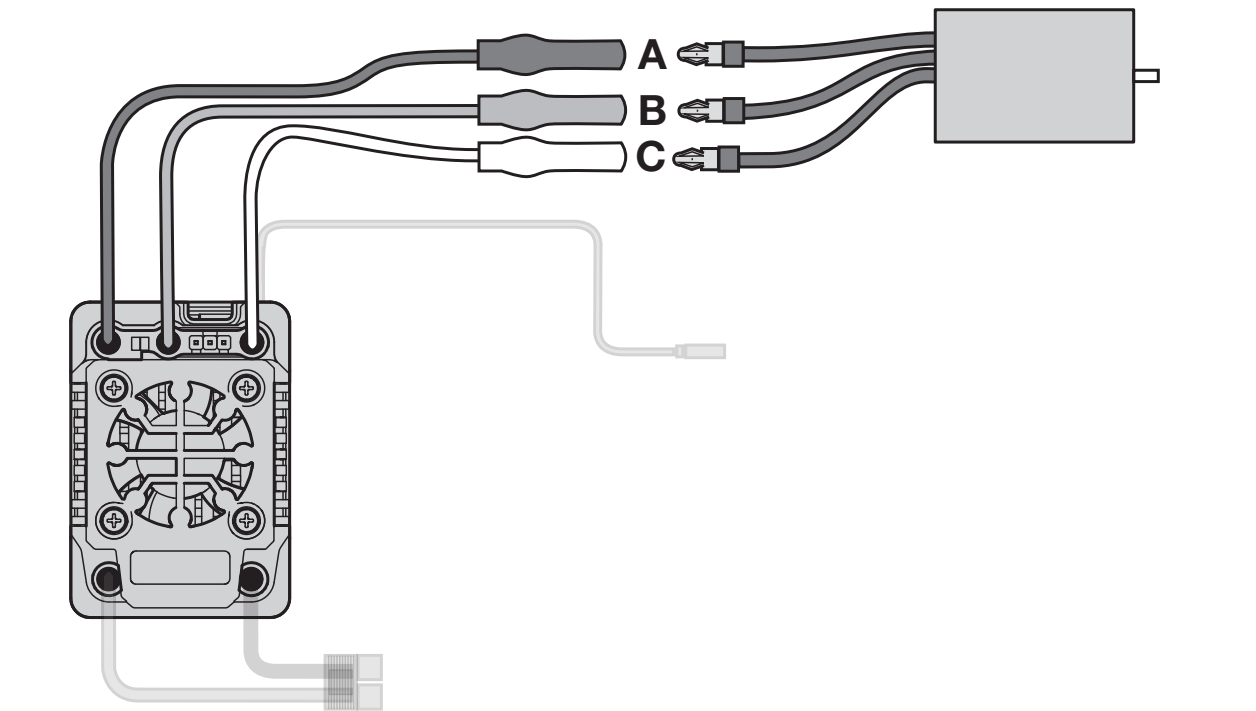
Korrekturer Zahneingriff (wie die Verzahnung ineinandergreift) ist wichtig für die Leistungsfähigkeit des Fahrzeugs. Wenn der Zahneingriff zu viel Spiel hat, kann das Stirnrad durch das Ritzel des Motors beschädigt werden. Wenn der Zahneingriff zu wenig Spiel hat, kann dies die Geschwindigkeit verringern und das System überhitzen. Schieben Sie bei der Montage des Getriebes ein kleines Stück Papier zwischen Stirnräder und Ritzel. Drücken Sie die Getrieberäder zusammen, während Sie die Befestigungsschrauben des Systems anziehen. Wenn der Zahneingriff den richtigen Abstand hat, entfernen Sie das Papierstück, indem Sie das Stirnrad drehen, bis das Papier herauskommt. Prüfen Sie den Zahneingriff an verschiedenen Stellen rund um das größere Stirnrad, bevor Sie die Montageposition des Motors festlegen.

Den Motor an den Geschwindigkeitsregler anschließen

- Klemme A Geschwindigkeitsregler an Klemme A Motor anschließen.
- Klemme B Geschwindigkeitsregler an Klemme B Motor anschließen.
- Klemme C Geschwindigkeitsregler an Klemme C Motor anschließen.

Die Anweisungen des Herstellers des Geschwindigkeitsreglers zur weiteren Konfiguration und Programmierung befolgen. Falls sich der Motor in die entgegengesetzte Richtung für den Fahrzeugtyp dreht, zwei beliebige Motordrähte umkehren.

HINWEIS: Nach Beenden der Benutzung des Fahrzeugs immer das Akku vom System abklemmen. Der Schalter des Systems kontrolliert nur die Stromversorgung von Empfänger und Servos. Wenn das System an das Akku angeschlossen ist, zieht es weiterhin Strom, was möglicherweise zur Beschädigung des Akkus durch Überentladung führen kann.



Garantie und Service Informationen

Wartung

Ein ferngesteuertes Modell ist kein Spielzeug. Es kann, wenn es falsch eingesetzt wird, zu erheblichen Verletzungen bei Lebewesen und Beschädigungen an Sachgütern führen. Betreiben Sie Ihr RC-Modell nur auf freien Plätzen und beachten Sie alle Hinweise der Bedienungsanleitung des Modells wie auch der Fernsteuerung.

Garantiezeitraum

Exklusiv Garantie Horizon Hobby LLC (Horizon) garantiert, dass dasgekaupte Produkt frei von Material- und Montagefehlern ist. Der Garantiezeitraum entspricht den gesetzlichen Bestimmungen des Landes, in dem das Produkt erworben wurde. In Deutschland beträgt der Garantiezeitraum 6 Monate und der Gewährleistungszeitraum 18 Monate nach dem Garantiezeitraum

Einschränkungen der Garantie

(a) Die Garantie wird nur dem Erstkäufer (Käufer) gewährt und kann nicht übertragen werden. Der Anspruch des Käufers besteht in der Reparatur oder dem Tausch im Rahmen dieser Garantie. Die Garantie erstreckt sich ausschließlich auf Produkte, die bei einem autorisierten Horizon Händler erworben wurden. Verkäufe an dritte werden von dieser Garantie nicht gedeckt. Garantieansprüche werden nur angenommen, wenn ein gültiger Kaufnachweis erbracht wird. Horizon behält sich das Recht vor, diese Garantiebestimmungen ohne Anknüpfung zu ändern oder modifizieren und widerruft dann bestehende Garantiebestimmungen.

(b) Horizon übernimmt keine Garantie für die Verkaufbarkeit des Produktes, die Fähigkeiten und die Fitness des Verbrauchers für einen bestimmten Einsatzzweck des Produktes. Der Käufer allein ist dafür verantwortlich, zu prüfen, ob das Produkt seinen Fähigkeiten und dem vorgesehenen Einsatzzweck entspricht.

(c) Ansprüche des Käufers – Es liegt ausschließlich im Ermessen von Horizon, ob das Produkt, bei dem ein Garantiefall festgestellt wurde, repariert oder ausgetauscht wird. Dies sind die exklusiven Ansprüche des Käufers, wenn ein Defekt festgestellt wird. Horizon behält sich vor, alle eingesetzten Komponenten zu prüfen, die in den Garantiefall einbezogen werden können. Die Entscheidung zur Reparatur oder zum Austausch liegt nur bei Horizon. Die Garantie schließt kosmetische Defekte oder Defekte, hervorgerufen durch höhere Gewalt, falsche Behandlung des Produktes, falscher Einsatz des Produktes, kommerziellen Einsatz oder Modifikationen irgendwelcher Art aus.

Die Garantie schließt Schäden, die durch falschen Einbau, falsche Handhabung, Unfälle, Betrieb, Service oder Reparaturversuche, die nicht von Horizon ausgeführt wurden aus.

Ausgeschlossen sind auch Fälle die bedingt durch (vii) eine Nutzung sind, die gegen geltendes Recht, Gesetze oder Regularien verstoßen haben. Rücksendungen durch den Käufer direkt an Horizon oder eine seiner Landesvertretung bedürfen der Schriftform.

Schadensbeschränkung

Horizon ist nicht für direkte oder indirekte Folgeschäden, Einkommensausfälle oder kommerzielle Verluste, die in irgendeinem Zusammenhang mit dem Produkt stehen verantwortlich, unabhängig ab ein Anspruch im Zusammenhang mit einem Vertrag, der Garantie oder der Gewährleistung erhoben werden. Horizon wird darüber hinaus keine Ansprüche aus einem Garantiefall akzeptieren, die über den individuellen Wert des Produktes hinaus gehen. Horizon hat keinen Einfluss auf den Einbau, die Verwendung oder die Wartung des Produktes oder etwaiger Produktkombinationen, die vom Käufer gewählt werden. Horizon übernimmt keine Garantie und akzeptiert keine Ansprüche für in der folge auftretende Verletzungen oder Beschädigungen. Mit der Verwendung und dem Einbau des Produktes akzeptiert der Käufer alle aufgeführten Garantiebestimmungen ohne Einschränkungen und Vorbehalte.

Garantie und Service Kontaktinformationen

Land des Kauf	Horizon Hobby	Telefon/E-mail Adresse	Adresse
Europäische Union	Horizon Technischer Service	service@horizonhobby.de	Hanskamping 9 D 22885 Barsbüttel Germany
	Sales: Horizon Hobby GmbH	+49 (0) 4121 2655 100	

Rechtliche Informationen für die Europäische Union

CE EU Konformitätserklärung
Horizon LLC erklärt hiermit, dass dieses Produkt konform zu den essentiellen Anforderungen der EMC Direktive. Eine Kopie der Konformitätserklärung ist online unter folgender

Wenn Sie als Käufer nicht bereit sind, diese Bestimmungen im Zusammenhang mit der Benutzung des Produktes zu akzeptieren, werden Sie gebeten, das Produkt in unbenutztem Zustand in der Originalverpackung vollständig bei dem Verkäufer zurückzugeben.

Sicherheitshinweise

Dieses ist ein hochwertiges Hobby Produkt und kein Spielzeug. Es muss mit Vorsicht und Umsicht eingesetzt werden und erfordert einige mechanische wie auch mentale Fähigkeiten. Ein Versagen, das Produkt sicher und umsichtig zu betreiben kann zu Verletzungen von Lebewesen und Sachbeschädigungen erheblichen Ausmaßes führen. Dieses Produkt ist nicht für den Gebrauch durch Kinder ohne die Aufsicht eines Erziehungsberechtigten vorgesehen. Die Anleitung enthält Sicherheitshinweise und Vorschriften sowie Hinweise für die Wartung und den Betrieb des Produktes. Es ist unabdingbar, diese Hinweise vor der ersten Inbetriebnahme zu lesen und zu verstehen. Nur so kann der falsche Umgang verhindert und Unfälle mit Verletzungen und Beschädigungen vermieden werden.

Fragen, Hilfe und Reparaturen

Ihr lokaler Fachhändler und die Verkaufsstelle können eine Garantiebeurteilung ohne Rücksprache mit Horizon nicht durchführen. Dies gilt auch für Garantieerparaturen. Deshalb kontaktieren Sie in einem solchen Fall den Händler, der sich mit Horizon kurz schließen wird, um eine sachgerechte Entscheidung zu fällen, die Ihnen schnellst möglich hilft.

Wartung und Reparatur

Muss Ihr Produkt gewartet oder repariert werden, wenden Sie sich entweder an Ihren Fachhändler oder direkt an Horizon.

Rücksendungen / Reparaturen werden nur mit einer von Horizon vergebenen RMA Nummer bearbeitet. Diese Nummer erhalten Sie oder Ihr Fachhändler vom technischen Service. Mehr Informationen dazu erhalten Sie im Serviceportal unter www.horizonhobby.de oder telefonisch bei dem technischen Service von Horizon.

Packen Sie das Produkt sorgfältig ein. Beachten Sie, dass der Originalkarton in der Regel nicht ausreicht, um beim Versand nicht beschädigt zu werden. Verwenden Sie einen Paketdienstleister mit einer Tracking Funktion und Versicherung, da Horizon bis zur Annahme keine Verantwortung für den Versand des Produktes übernimmt. Bitte legen Sie dem Produkt einen Kaufbeleg bei, sowie eine ausführliche Fehlerbeschreibung und eine Liste aller eingesendeten Einzelkomponenten. Weiterhin benötigen wir die vollständige Adresse, eine Telefonnummer für Rückfragen, sowie eine Email Adresse.

Garantie und Reparaturen

Garantieanfragen werden nur bearbeitet, wenn ein Originalkaufbeleg von einem autorisierten Fachhändler beiliegt, aus dem der Käufer und das Kaufdatum hervorholt. Sollte sich ein Garantiefall bestätigen wird das Produkt repariert oder ersetzt. Diese Entscheidung obliegt einzig Horizon Hobby.

Kostenpflichtige Reparaturen

Liegt eine kostenpflichtige Reparatur vor, erstellen wir einen Kostenvorschlag, den wir Ihrem Händler übermitteln. Die Reparatur wird erst vorgenommen, wenn wir die Freigabe des Händlers erhalten. Der Preis für die Reparatur ist bei Ihrem Händler zu entrichten. Bei kostenpflichtigen

Reparaturen werden mindestens 30 Minuten Werkstattzeit und die Rückversandkosten in Rechnung gestellt. Sollten wir nach 90 Tagen keine Einverständniserklärung zur Reparatur vorliegen haben, behalten wir uns vor, das Produkt zu vernichten oder anderweitig zu verwerten.

ACHTUNG: Kostenpflichtige Reparaturen nehmen wir nur für Elektronik und Motoren vor. Mechanische Reparaturen, besonders bei Hubschraubern und RC-Cars sind extrem aufwendig und müssen deshalb vom Käufer selbst vorgenommen werden.

10/15

HORIZON
H O B B Y

SPMXSM1700 FIRMA 2050KV BRUSHLESS MOTOR

SPEKTRUM® Instruction Manual | Bedienungsanleitung | Manuel d’utilisation | Manuale di Istruzioni

REMARQUE
Toutes les instructions, garanties et autres documents de garantie sont sujets à la seule discrétion de Horizon Hobby, LLC. Veuillez, pour une littérature produits bien à jour, visiter www.horizonhobby.com ou www.towerhobbies.com et cliquer sur l'onglet de support de ce produit.

Signification de certains termes spécifiques
Les termes suivants sont utilisés dans l'ensemble du manuel pour indiquer différents niveaux de danger lors de l'utilisation de ce produit : <p>AVERTISSEMENT : procédures qui, si elles ne sont pas suivies correctement, peuvent entraîner des dégâts matériels et des blessures graves OU engendrer une probabilité élevée de blessure superficielle.</p> <p>ATTENTION: procédures qui, si elles ne sont pas suivies correctement, peuvent entraîner des dégâts matériels ET des blessures graves.</p> <p>REMARQUE: procédures qui, si elles ne sont pas suivies correctement, peuvent entraîner des dégâts matériels ET éventuellement un faible risque de blessures.</p>

⚠ AVERTISSEMENT : lisez la TOTALITÉ du manuel d'utilisation afin de vous familiariser avec les caractéristiques du produit avant de le faire fonctionner. Une utilisation incorrecte du produit peut entraîner sa détérioration, ainsi que des risques de dégâts matériels, voire de blessures graves.

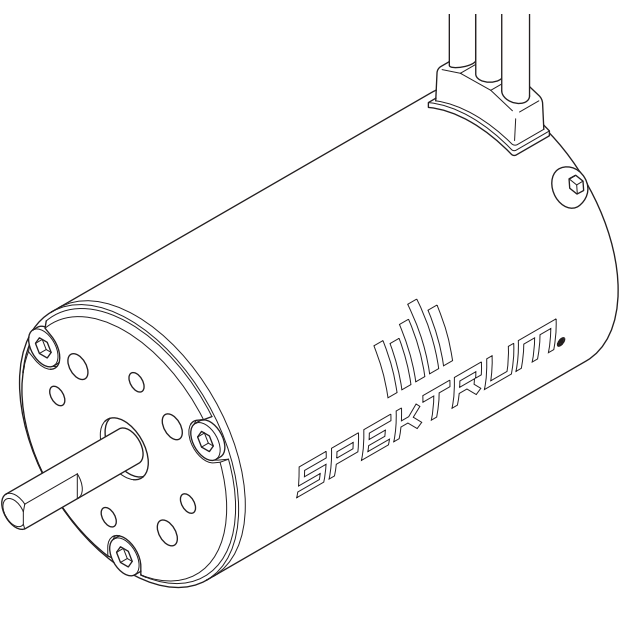
Ceci est un produit de loisirs sophistiqué. Il doit être manipulé avec prudence et bon sens et requiert des aptitudes de base en mécanique. Toute utilisation irresponsable de ce produit ne respectant pas les principes de sécurité peut provoquer des blessures, entraîner des dégâts matériels et endommager le produit. Ce produit n'est pas destiné à être utilisé par des enfants sans la surveillance directe d'un adulte. N'essayez pas de démonter le produit, de l'utiliser avec des composants incompatibles ou d'en améliorer les performances sans l'accord d'Horizon Hobby, LLC. Ce manuel comporte des instructions relatives à la sécurité, au fonctionnement et à l'entretien. Il est capital de lire et de respecter la totalité des instructions et avertissements du manuel avant l'assemblage, le réglage et l'utilisation, ceci afin de manipuler correctement l'appareil et d'éviter tout dégât matériel ou toute blessure grave.

14 ans et plus. Ceci n'est pas un jouet.

REMARQUE : Ce produit est uniquement réservé à une utilisation avec des modèles réduits radiocommandés de loisir. Horizon Hobby se dégage de toute responsabilité et garantie si le produit est utilisé d'autre manière que celle citée précédemment.

Spécifications du système

Roulements ou bagues	Roulements
Cellules	Batterie LiPo avec 3 à 6 cellules
Type de connecteur	Cylindrique de 4 mm
Rendement	85 %
Tension d'entrée	12,6 à 35,2 V
Courant continu maximal	62 A
Type de moteur	Sans balai
Nombre de pôles	4
Sortie	5050 W (6S)
Diamètre total	40 mm
Longueur totale	74 mm
Régime/volt (kV)	2050 kV
Variateur de vitesse recommandé	Variateur Smart ESC Spektrum Firma 150
Diamètre de l'arbre	5 mm
Taille	4074
Poids	415 g
Épaisseur de fil	10 AWG



Système d'Engrenage

Un engrenage incorret entrainera une production de chaleur exces- sive dans le moteur et dans le contrôleur de vitesse. Reportez-vous au manuel du kit de votre véhicule pour trouver la taille de pignon recommandée par le fabricant. Il est préférable de surveiller la température du moteur lorsque vous utilisez de nouveaux circuits, ou de nouvelles surfaces de pistes, lorsque vous changez de moteur ou que vous modifiez les engrenages. La température de votre moteur ne doit jamais dépasser les 71° C. Le meilleure endroit pour con-

trôler la température du moteur se situe au centre de la flasque. Si la température du moteur dépasse 71° C après 5 minutes d'utilisation, la transmission doit être réduite (installez un pignon plus petit).

⚠ ATTENTION: Ne manipulez pas les arbres et les pignons quand le moteur est alimenté. En cas de non respect de cette consigne, vous vous exposez à un risque de blessures corporelles.

Installation du Moteur

Assurez-vous que les vis de montage du moteur sont assez longues pour être fixées correctement dans le moteur. Veillez cependant à ce que les vis ne pénètrent pas trop profondément dans le moteur, ce qui pourrait l'endommager.

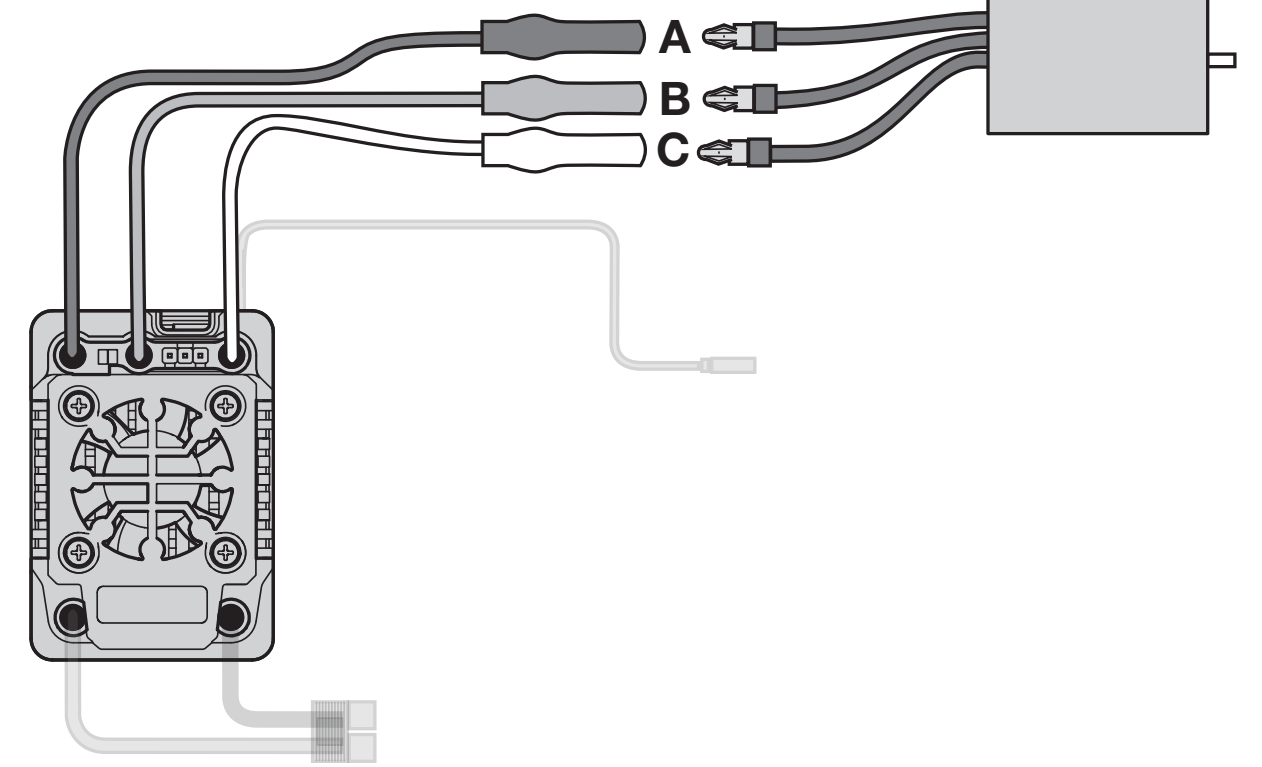
Les vis de montage du moteur peuvent être enfoncées au maxi- mum à 5 mm de profondeur dans le moteur. Nous vous conseillons d'utiliser les vis de fixations fournies avec votre véhicule. L'utilisation de vis de longueur trop importante endommagera votre moteur, ces dommages ne sont pas couverts par la garantie.

Lors de l'installation du moteur dans votre véhicule, il est très important d'effectuer un réglage d'entre-dent pour assurer un fonctionnement libre sans accoup. Le rainures du support moteur du véhicule vous permettent d'effectuer un réglage correct.

Raccordement du moteur au variateur ESC

- Raccordez la borne A ESC à la borne A du moteur.
- Raccordez la borne B ESC à la borne B du moteur.
- Raccordez la borne C ESC à la borne C du moteur.

Pour toute autre configuration ou programmation, suivez les instruc- tions du fabricant du variateur ESC. Si le moteur se met à fonctionner dans la direction opposée à celle de votre type de véhicule, inversez les deux câbles du moteur.



Garantie Limitée

Durée de la garantie

Garantie exclusive - Horizon Hobby, LLC (Horizon) garantit que le Produit acheté (le « Produit ») sera exempt de défauts matériels et de fabrication à sa date d'achat par l'Acheteur. La durée de garantie correspond aux dispositions légales du pays dans lequel le produit a été acquis. La durée de garantie est de 6 mois et la durée d'obligation de garantie de 18 mois à l'expiration de la période de garantie.

Limitations de la garantie

(a) La garantie est donnée à l'acheteur initial (« Acheteur ») et n'est pas transférable. Le recours de l'acheteur consiste en la réparation ou en l'échange dans le cadre de cette garantie. La garantie s'applique uniquement aux produits achetés chez un revendeur Horizon agréé. Les ventes faites à des tiers ne sont pas couvertes par cette garantie. Les revendications en garantie seront acceptées sur fourniture d'une preuve d'achat valide uniquement. Horizon se réserve le droit de modifier les dispositions de la présente garantie sans avis préalable et révoque alors les dispositions de garantie existantes.

(b) Horizon n'endosse aucune garantie quant à la vendabilité du produit ou aux capacités et à la forme physique de l'utilisateur pour une utilisation donnée du produit. Il est de la seule responsabilité de l'acheteur de vérifier si le produit correspond à ses capacités et à l'utilisation prévue.

(c) Recours de l'acheteur – Il est de la seule discrétion d'Horizon de déterminer si un produit présentant un cas de garantie sera réparé ou échangé. Ce sont là les recours exclusifs de l'acheteur lorsqu'un défaut est constaté.

Horizon se réserve la possibilité de vérifier tous les éléments utilisés et susceptibles d'être intégrés dans le cas de garantie. La décision de réparer ou de remplacer le produit est du seul ressort d'Horizon. La garantie exclut les défauts esthétiques ou les défauts provoqués par des cas de force majeure, une manipulation incorrecte du produit, une utilisation incorrecte ou commerciale de ce dernier ou encore des modifications de quelque nature qu'elles soient. La garantie ne couvre pas les dégâts résultant d'un montage ou d'une manipulation éronés, d'accidents ou encore du fonctionnement ainsi que des tentatives d'entretien ou de réparation non effectuées par Horizon. Les retours effectués par le fait de l'acheteur directement à Horizon ou à l'une de ses représentations nationales requièrent une confirmation écrite.

Limitation des dommages

Horizon ne saurait être tenu pour responsable de dommages conséquents directs ou indirects, de pertes de revenus ou de pertes commerciales, liés de quelque manière que ce soit au produit et ce, indépendamment du fait qu'un recours puisse être formulé en relation avec un contrat, la garantie ou l'obligation de garantie.

Par ailleurs, Horizon n'acceptera pas de recours issus d'un cas de garantie lorsque ces recours dépassent la valeur unitaire du produit. Horizon n'exerce aucune influence sur le montage, l'utilisation ou la maintenance du produit ou sur d'éventuelles combinaisons de produits choisis par l'acheteur. Horizon ne prend en compte aucune garantie et n'accepte aucun recours pour les blessures ou les dommages pouvant en résulter. Horizon Hobby ne saurait être tenu responsable d'une utilisation ne respectant pas les lois, les règles ou réglementations en vigueur.

En utilisant et en montant le produit, l'acheteur accepte sans restriction ni réserve toutes les dispositions relatives à la garantie figurant dans le présent document. Si vous n'êtes pas prêt, en tant qu'acheteur, à accepter ces dispositions en relation avec l'utilisation du produit, nous vous demandons de restituer au vendeur le produit complet, non utilisé et dans son emballage d'origine.

Informations de contact pour garantie et réparation

Pays d'achat	Horizon Hobby	Numéro de téléphone/E-mail	Adresse
European Union	Horizon Technischer Service Sales: Horizon Hobby GmbH	service@horizonhobby.eu +49 (0) 4121 2655 100	Hanskamping 9 D 22885 Barsbüttel Germany

Informations de conformité pour l'Union européenne

Ⓒ Déclaration de conformité de l'Union européenne : Horizon Hobby, LLC déclare par la présente que ce produit est en conformité avec les exigences essentielles et les autres dispositions de la directive CEM.

⚠ Instructions relatives à l'élimination des D3E pour les utilisateurs résidant dans l'Union européenne
Ce produit ne doit pas être éliminé avec d'autres déchets. Il relève de la responsabilité de l'utilisateur d'éliminer les équipements mis au rebut en les remettant à un point de collecte désigné en vue du recyclage des déchets d'équipements électriques et électroniques. La collecte et le recyclage séparés de vos équipements au moment de leur

Indications relatives à la sécurité

Ceci est un produit de loisirs perfectionné et non un jouet. Il doit être utilisé avec précaution et bon sens et nécessite quelques aptitudes mécaniques ainsi que mentales. L'incapacité à utiliser le produit de manière sûre et raisonnable peut provoquer des blessures et des dégâts matériels conséquents. Ce produit n'est pas destiné à être utilisé par des enfants sans la surveillance par un tuteur. La notice d'utilisation contient des indications relatives à la sécurité ainsi que des indications concernant la maintenance et le fonctionnement du produit. Il est absolument indispensable de lire et de comprendre ces indications avant la première mise en service. C'est uniquement ainsi qu'il sera possible d'éviter une manipulation éronnée et des accidents entraînant des blessures et des dégâts. Horizon Hobby ne saurait être tenu responsable d'une utilisation ne respectant pas les lois, les règles ou réglementations en vigueur.

Questions, assistance et réparations

Votre revendeur spécialisé local et le point de vente ne peuvent effectuer une estimation d'éligibilité à l'application de la garantie sans avoir consulté Horizon. Cela vaut également pour les réparations sous garantie. Vous voudrez bien, dans un tel cas, contacter le revendeur qui conviendra avec Horizon d'une décision appropriée, destinée à vous aider le plus rapidement possible.

Maintenance et réparation

Si votre produit doit faire l'objet d'une maintenance ou d'une réparation, adressez-vous soit à votre revendeur spécialisé, soit directement à Horizon. Emballez le produit soigneusement. Veuillez noter que le carton d'emballage d'origine ne suffit pas, en règle générale, à protéger le produit des dégâts pouvant survenir pendant le transport. Faites appel à un service de messagerie proposant une fonction de suivi et une assurance, puisque Horizon ne prend aucune responsabilité pour l'expédition du produit jusqu'à sa réception acceptée. Veuillez joindre une preuve d'ach, dans une description détaillée des défauts ainsi qu'une liste de tous les éléments distincts envoyés. Nous avons de plus besoin d'une adresse complète, d'un numéro de téléphone (pour demander des renseignements) et d'une adresse de courriel.

Garantie et réparations

Les demandes en garantie seront uniquement traitées en présence d'une preuve d'achat originale émanant d'un revendeur spécialisé agréé, sur laquelle figurent le nom de l'acheteur ainsi que la date d'achat. Si le cas de garantie est confirmé, le produit sera réparé. Cette décision relève uniquement d'Horizon Hobby.

Réparations payantes

En cas de réparation payante, nous établissons un devis que vous transmettons à votre revendeur. La réparation sera seulement effectuée après que nous ayons reçu la confirmation du revendeur. Le prix de la réparation devra être acquitté au revendeur. Pour les réparations payantes, nous facturons au minimum 30 minutes de travail en atelier ainsi que les frais de réexpédition. En l'absence d'un accord pour la réparation dans un délai de 90 jours, nous nous réservons la possibilité de détruire le produit ou de l'utiliser autrement.

ATTENTION: Nous n'effectuons de réparations payantes que pour les composants électroniques et les moteurs. Les réparations touchant à la mécanique, en particulier celles des hélicoptères et des voitures radiocommandées, sont extrêmement coûteuses et doivent par conséquent être effectuées par l'acheteur lui-même.

10/15

AVVISO
Tutte le istruzioni, le garanzie e gli altri documenti pertinenti sono soggetti a cambiamenti a totale discrezione di Horizon Hobby, LLC. Per una documentazione aggiornata sul prodotto, visitare il sito horizonhobby.com o towerhobbies.com e fare clic sulla sezione Support del prodotto.

Significato di termini specialistici
Nella documentazione relativa al prodotto vengono utilizzati i seguenti termini per indicare i vari livelli di pericolo potenziale durante l'uso del prodotto: <p>AVVERTENZA: indica procedure che, se non debitamente seguite, determinano il rischio di danni alle cose, danni collaterali e gravi lesioni alle persone O il rischio elevato di lesioni superficiali alle persone.</p> <p>ATTENZIONE: indica procedure che, se non debitamente seguite, determinano il rischio di danni alle cose E di gravi lesioni alle persone.</p> <p>AVVISO: indica procedure che, se non debitamente seguite, possono determinare il rischio di danni alle cose E il rischio minimo o nullo di lesioni alle persone.</p>

⚠ AVVERTENZA: leggere TUTTO il manuale di istruzioni e familiarizzare con le caratteristiche del prodotto prima di farlo funzionare. Un uso improprio del prodotto può causare danni al prodotto stesso e alle altre cose e gravi lesioni alle persone. Questo aeromodello è un prodotto sofisticato per appassionati di modellismo. Deve essere azionato in maniera attenta e responsabile e richiede alcune conoscenze basilari di meccanica. L'uso improprio o irresponsabile di questo prodotto può causare lesioni alle persone e danni al prodotto stesso o alle altre cose. Questo prodotto non deve essere utilizzato dai bambini senza la diretta supervisione di un adulto. Non tentare in nessun caso di smontare il prodotto, di utilizzarlo con componenti non compatibili o di potenziarlo senza previa approvazione di Horizon Hobby, LLC. Questo manuale contiene le istruzioni per la sicurezza, l'uso e la manutenzione del prodotto. È fondamentale leggere e seguire tutte le istruzioni e le avvertenze del manuale prima di montare, impostare o utilizzare il prodotto, al fine di utilizzarlo correttamente e di evitare di causare danni alle cose o gravi lesioni alle persone.

Almeno 14 anni. Non è un giocattolo.

AVVISO: Questo prodotto è rivolto esclusivamente a veicoli ed aerei di tipo hobbistico senza pilota a bordo e controllati a distanza. Al di fuori di questo utilizzo, Horizon Hobby declina ogni responsabilità e non riconosce interventi in garanzia.

Specifiche sistema

Cuscinetti o boccole	Cuscinetti
Celle	3-6 celle LiPo
Tipo connettore	4 mm a banana
Efficienza	85%
Tensione di ingresso	12,6-25,2 V
Tensione continua massima	62 A
Tipo di motore	Brushless
Numero di poli	4
Uscita	5050 W (6S)
Diametro totale	40 mm
Longhezza totale	74 mm
RPM/Voit (Kv)	2050 Kv
Regolatore di velocità consigliato	Spektrum Firma 150 Smart ESC
Diametro albero	5 mm
Dimensioni	4074
Peso	415 g
Diametro cavi	10 AWG

Rapportatura

Una rapportatura errata causerà un aumento eccessivo di calore nel motore e nel controllo della velocità. Utilizzare il manuale del kit del veicolo per trovare le dimensioni del pignone consigliate dal produttore. È preferibile monitorare la temperatura di funzionamento della combo motore/ESC quando si utilizzano superfici da corsa o percorsi nuovi e differenti. La temperatura di funzionamento della combo motore/ESC non deve mai superare i 71° C. Il punto migliore per monitorare la temperatura della combo motore/ESC è al centro

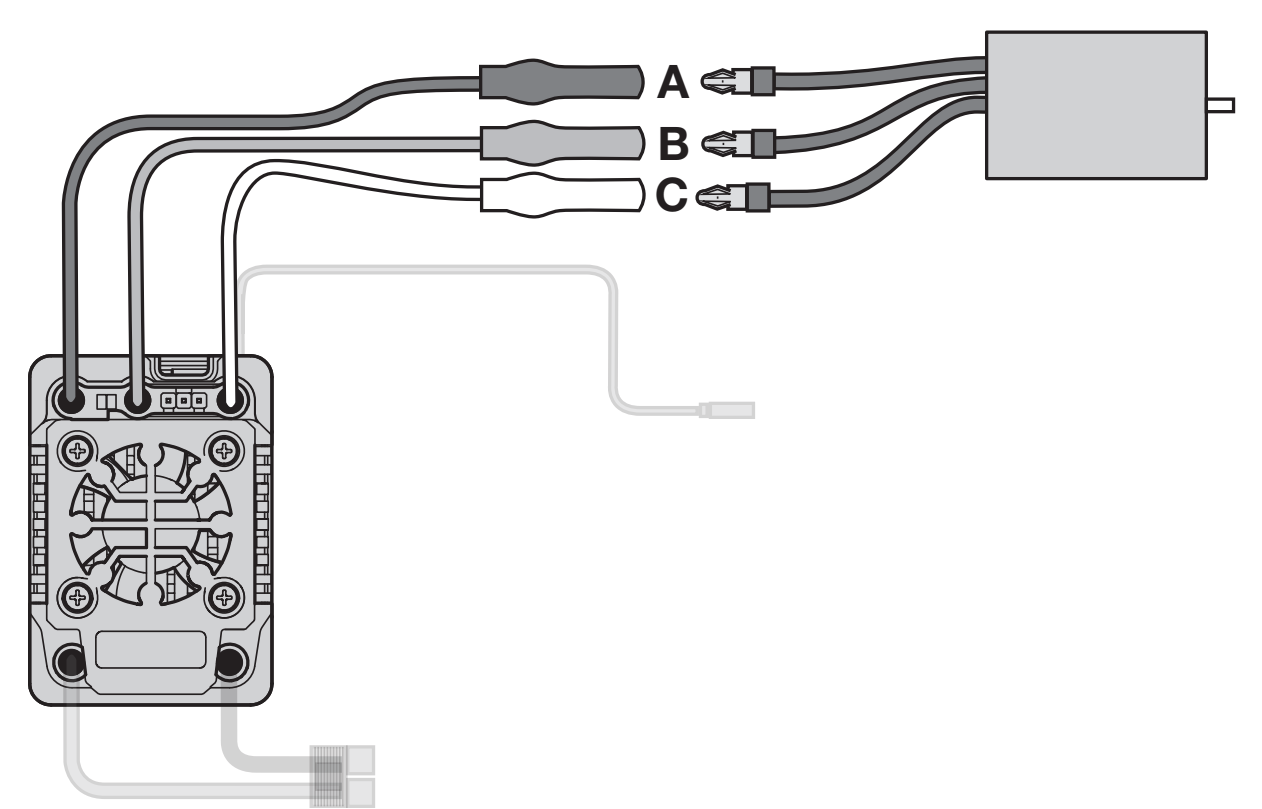
Installazione

Accertarsi sempre che le viti di montaggio siano sufficientemente lunghe per un alloggiamento appropriato all'interno del motore. Tuttavia, accertarsi che le viti non entrino troppo in profondità nel motore per evitare possibili danni al motore. La profondità massima fino a cui le viti di montaggio possono penetrare il motore è di circa 5 mm. Vi consigliamo di usare la viteria inclusa nella confezione del vostro veicolo per il montaggio. Usare viti troppo lunghe danneggerebbe il sistema e invaliderebbe la garanzia. Durante l'installazione del motore all'interno del veicolo, è molto importante che l'innesto del gruppo di ingranaggi sia corretto e regolare senza inceppamenti. Generalmente, i montanti del motore del veicolo dispongono di fori di montaggio con fessure regolabili che possono essere regolate in modo da garantire un corretto innesto del gruppo di ingranaggi.

Collegare il motore all'ESC

- Collegare il terminale A dell'ESC al terminale A del motore.
- Collegare il terminale B dell'ESC al terminale B del motore.
- Collegare il terminale C dell'ESC al terminale C del motore.

Seguire le istruzioni del fabbricante dell'ESC per ulteriori impostazioni e per la programmazione. Se il motore gira nella direzione opposta a quella richiesta dal veicolo, invertire la coppia di fili.



del terminale a campana. Se la temperatura fosse più alta di 71° C dopo 5 minuti di funzionamento, bisogna aumentare la riduzione (mettere un pignone più piccolo).

⚠ ATTENZIONE: quando la batteria è collegata al sistema, bisogna stare lontani dall'albero motore e dagli ingranaggi. Un avvio improvviso potrebbe causare delle ferite.

Garanzia

Periodo di garanzia

Garanzia esclusiva - Horizon Hobby, LLC (Horizon) garantisce che il prodotto acquistato (il "Prodotto") sarà privo di difetti relativi ai materiali e di eventuali errori di montaggio alla data di acquisto. Il periodo di garanzia è conforme alle disposizioni legali del paese nel quale il prodotto è stato acquistato. Tale periodo di garanzia ammonta a 6 mesi e si estende ad altri 18 mesi dopo tale termine.

Limiti della garanzia

(a) La garanzia è limitata all'acquirente originale (Acquirente) e non è cedibile a terzi. L'acquirente ha il diritto a far riparare o a far sostituire la merce durante il periodo di questa garanzia. La garanzia copre solo quei prodotti acquistati presso un rivenditore autorizzato Horizon. Altre transazioni di terze parti non sono coperte da questa garanzia. La prova di acquisto è necessaria per far valere il diritto di garanzia. Inoltre, Horizon si riserva il diritto di cambiare o modificare i termini di questa garanzia senza alcun preavviso e di escludere tutte le altre garanzie già esistenti.

(b) Horizon non si assume alcuna garanzia per la disponibilità del prodotto, per l'adeguatezza o l'idoneità del prodotto a particolari previsti dall'utente. È sola responsabilità dell'acquirente il fatto di verificare se il prodotto è adatto agli scopi da lui previsti.

(c) Richiesta dell'acquirente – spetta soltanto a Horizon, a propria discrezione o sostituire qualsiasi prodotto considerato difettoso e che rientra nei termini di garanzia. Queste sono le uniche rivalse a cui l'acquirente può appellare, se un prodotto è difettoso. Horizon si riserva il diritto di controllare qualsiasi componente utilizzato che viene coinvolto nella rivalsa di garanzia. Le decisioni relative alla sostituzione o alla riparazione sono a discrezione di Horizon. Questa garanzia non copre dei danni superficiali o danni per cause di forza maggiore, uso errato del prodotto, un utilizzo che viola qualsiasi legge, regolamentazione o disposizione applicabile, negligenza, uso ai fini commerciali, o una qualsiasi modifica a qualsiasi parte del prodotto.

Questa garanzia non copre danni dovuti ad un'installazione errata, ad un funzionamento errato, ad una manutenzione o un tentativo di riparazione non idonei a cura di soggetti diversi da Horizon. La restituzione del prodotto a cura dell'acquirente, o da un suo rappresentante, deve essere approvata per iscritto dalla Horizon.

Limiti di danno

Horizon non si riterrà responsabile per danni speciali, diretti, indiretti o consequenziali; perdita di profitto o di produzione; perdita commerciale connessa al prodotto, indipendentemente dal fatto che la richiesta si basa su un contratto o sulla garanzia. Inoltre la responsabilità di Horizon non supera mai in nessun caso il prezzo di acquisto del prodotto per il quale si chiede la responsabilità. Horizon non ha alcun controllo sul montaggio, sull'utilizzo o sulla manutenzione del prodotto o di combinazioni di vari prodotti. Quindi Horizon non accetta nessuna responsabilità per danni o lesioni derivanti da tali circostanze. Con l'utilizzo e il montaggio del prodotto l'utente acconsente a tutte le condizioni, limitazioni e riserve di garanzia citate in questa sede.

Qualora l'utente non fosse pronto ad assumersi tale responsabilità associata all'uso del prodotto, si suggerisce di restituire il prodotto intatto, mai usato e immediatamente presso il venditore.

Garanzia e Assistenza - Informazioni per i contatti

Paese di acquisto	Horizon Hobby	Contatti	Indirizzo
Unione Europea	Horizon Technischer Service Sales: Horizon Hobby GmbH	service@horizonhobby.de +49 (0) 4121 2655 100	Hanskamping 9 D 22885 Barsbüttel Germany

10/15

Informazioni sulla conformità per l'Unione Europea

Ⓒ Dichiarazione di Conformità EU
Horizon Hobby, LLC con la presente dichiara che il prodotto è conforme ai requisiti essenziali e ad altre disposizioni rilevanti della direttiva EMC.

⚠ Istruzioni del RAEE per lo smaltimento da parte di utenti dell'Unione Europea
Questo prodotto non deve essere smaltito assieme ai rifiuti domestici. Al contrario, l'utente è responsabile dello smaltimento di tali rifiuti che devono essere portati in un centro di raccolta designato per il riciclaggio di rifiuti elettrici e apparecchiature elettroniche. La

Indicazioni di sicurezza

Questo è un prodotto sofisticato di hobbistica e non è un giocattolo. Esso deve essere manipolato con cautela, con giudizio e richiede delle conoscenze basilari di meccanica e delle facoltà mentali di base. Se il prodotto non verrà manipolato in maniera sicura e responsabile potrebbero risultare delle lesioni, dei gravi danni a persone, al prodotto o all'ambiente circostante. Questo prodotto non è concepito per essere usato dai bambini senza una diretta supervisione di un adulto. Il manuale del prodotto contiene le istruzioni di sicurezza, di funzionamento e di manutenzione del prodotto stesso. È fondamentale leggere e seguire tutte le istruzioni e le avvertenze nel manuale prima di mettere in funzione il prodotto. Solo così si eviterà un utilizzo errato e si preveniranno incidenti, lesioni o danni.

Domande, assistenza e riparazioni

Il vostro negozio locale e/o luogo di acquisto non possono fornire garanzie di assistenza o riparazione senza previo colloquio con Horizon. Questo vale anche per le riparazioni in garanzia. Quindi in tale caso bisogna interpellare un rivenditore, che si metterà in contatto subito con Horizon per prendere una decisione che vi possa aiutare nel più breve tempo possibile.

Manutenzione e riparazione

Se il prodotto deve essere ispezionato o riparato, si prega di rivolgersi ad un rivenditore specializzato o direttamente ad Horizon. Il prodotto deve essere imballato con cura. Bisogna far notare che i box originali solitamente non sono adatti per effettuare una spedizione senza subire alcun danno. Bisogna effettuare una spedizione via corriere che fornisce una tracciabilità e un'assicurazione, in quanto Horizon non si assume alcuna responsabilità in relazione alla spedizione del prodotto. Inserire il prodotto in una busta assieme ad una descrizione dettagliata degli errori e ad una lista di tutti i singoli componenti spediti. Inoltre abbiamo bisogno di un indirizzo completo, di un numero di telefono per chiedere ulteriori domande e di un indirizzo e-mail.

Garanzia e riparazione

Le richieste in garanzia vengono elaborate solo se è presente una prova d'acquisto in originale proveniente da un rivenditore specializzato autorizzato, nella quale è ben visibile la data di acquisto. Se la garanzia viene confermata, allora il prodotto verrà riparato o sostituito. Questa decisione spetta esclusivamente a Horizon Hobby.

Riparazioni a pagamento

Se bisogna effettuare una riparazione a pagamento, effettueremo un preventivo che verrà inoltrato al vostro rivenditore. La riparazione verrà effettuata dopo l'autorizzazione da parte del vostro rivenditore. La somma per la riparazione dovrà essere pagata al vostro rivenditore. Le riparazioni a pagamento avranno un costo minimo di 30 minuti di lavoro e in fattura includeranno le spese di restituzione. Qualsiasi riparazione non pagata e non richiesta entro 90 giorni verrà considerata abbandonata e verrà gestita di conseguenza.

ATTENZIONE: Le riparazioni a pagamento sono disponibili solo sull'elettronica e sui motori. Le riparazioni a livello meccanico, soprattutto per gli elicotteri e le vetture RC, sono molto costose e devono essere effettuate autonomamente dall'acquirente.