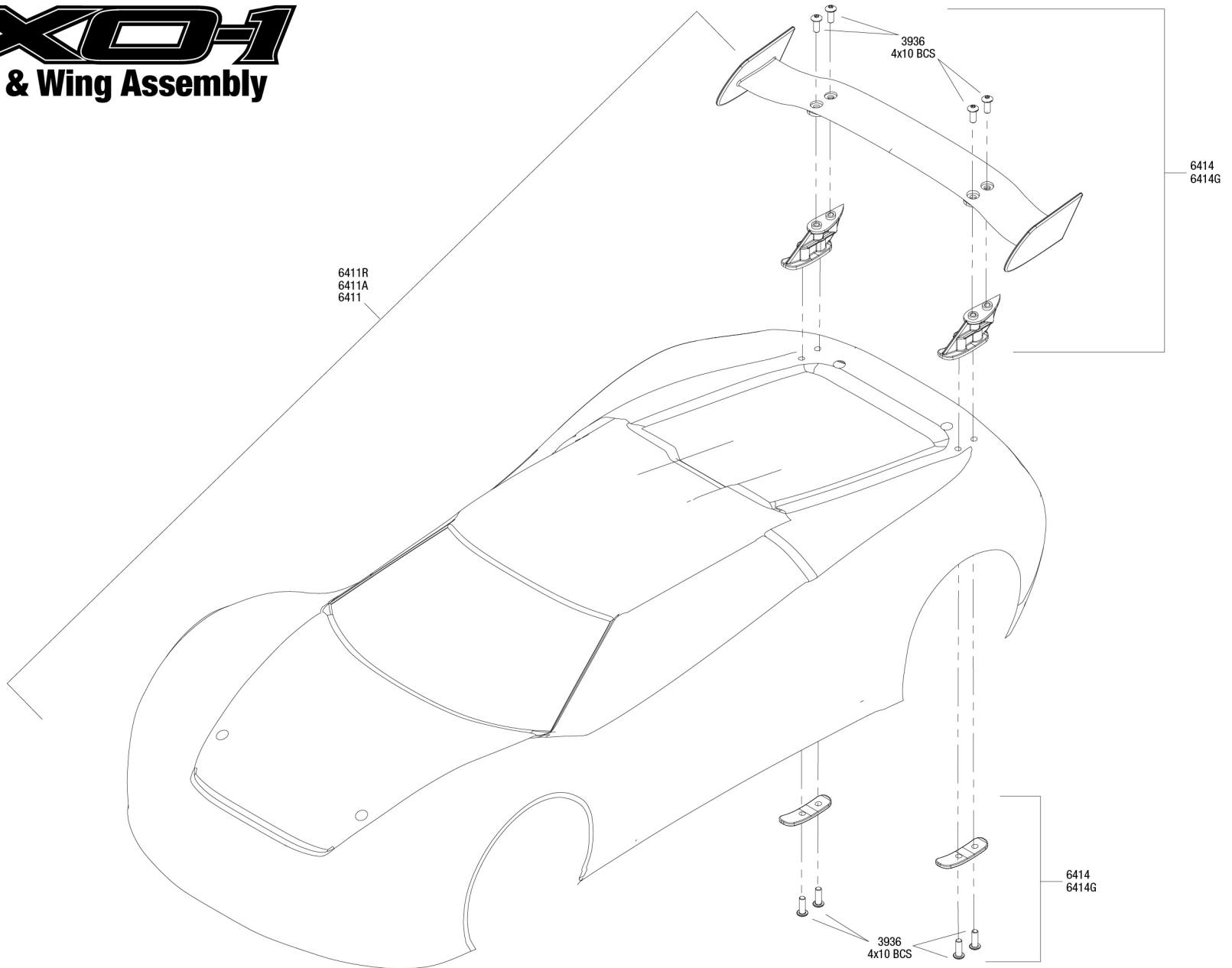


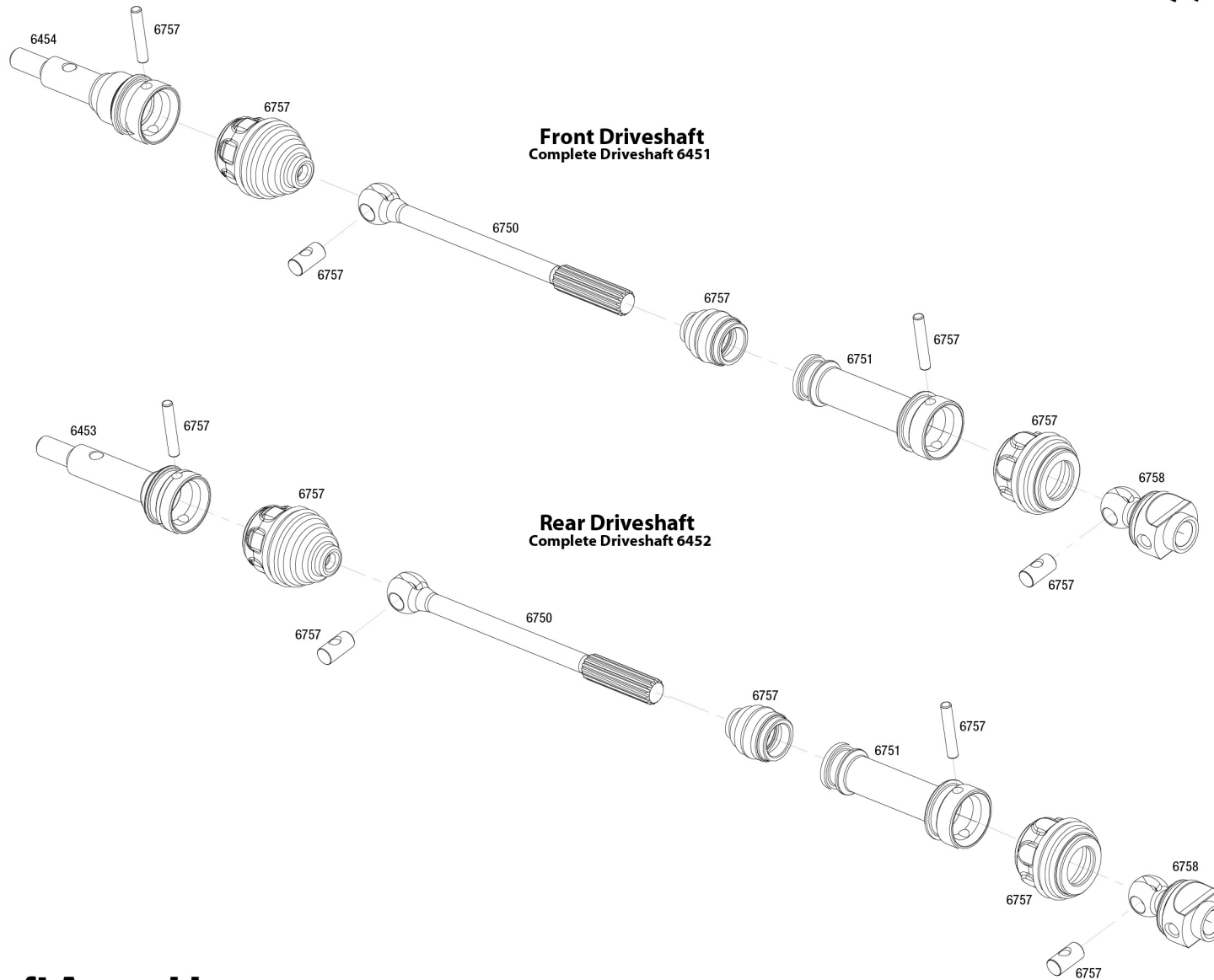
XO-1

Body & Wing Assembly



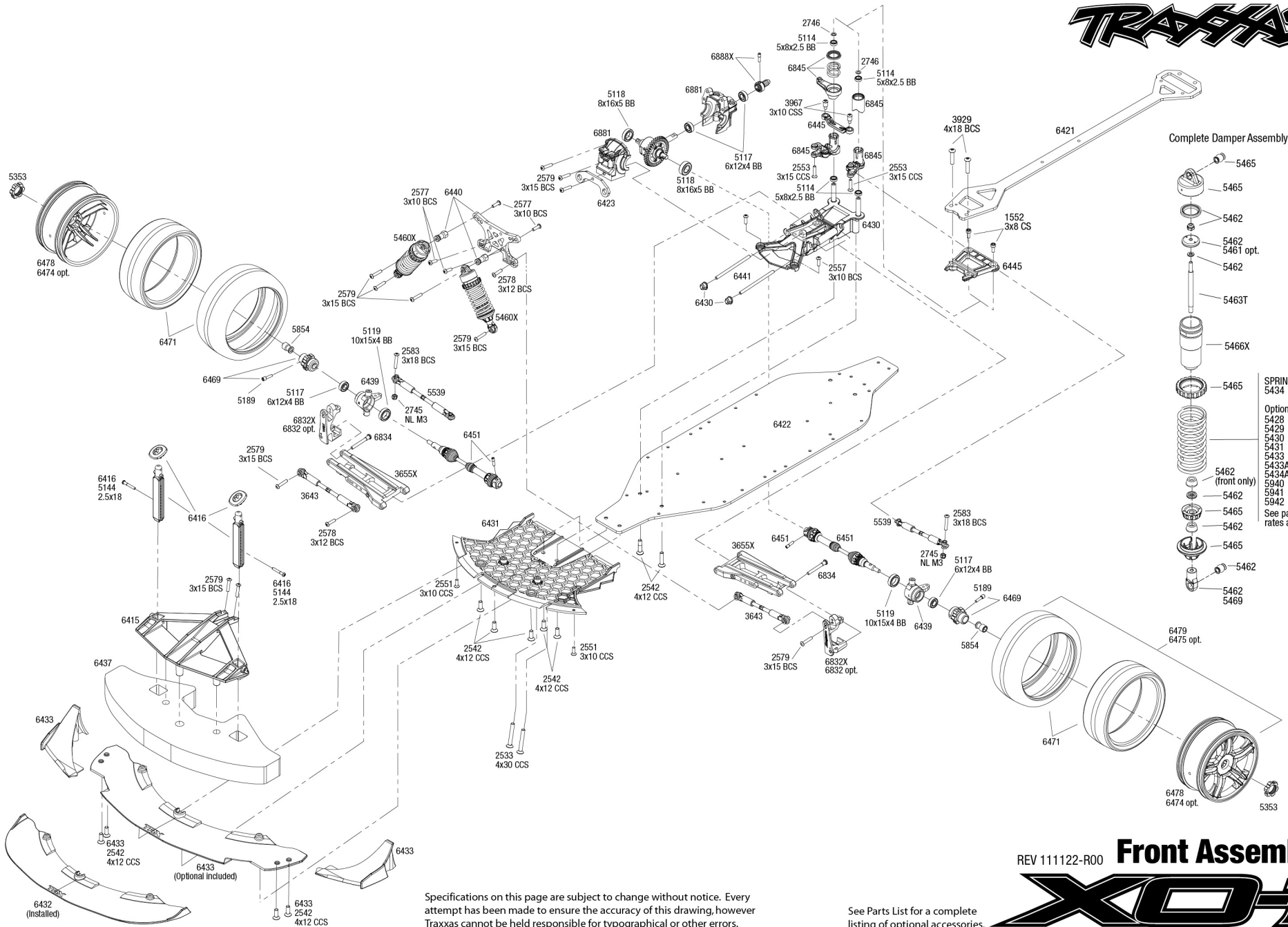
See Parts List for a complete listing of optional accessories.

REV 111122-R00
Specifications on this page are subject to change without notice. Every attempt has been made to ensure the accuracy of this drawing, however Traxxas cannot be held responsible for typographical or other errors.

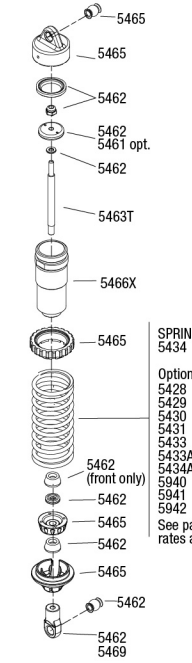


Driveshaft Assembly

XO-1



Complete Damper Assembly



- SPRINGS:**
5434
- Optional:**
5428
5429
5430
5431
5433
5433A
5434A
5940
5941
5942
- See parts list for rates and colors

Specifications on this page are subject to change without notice. Every attempt has been made to ensure the accuracy of this drawing, however Traxxas cannot be held responsible for typographical or other errors.

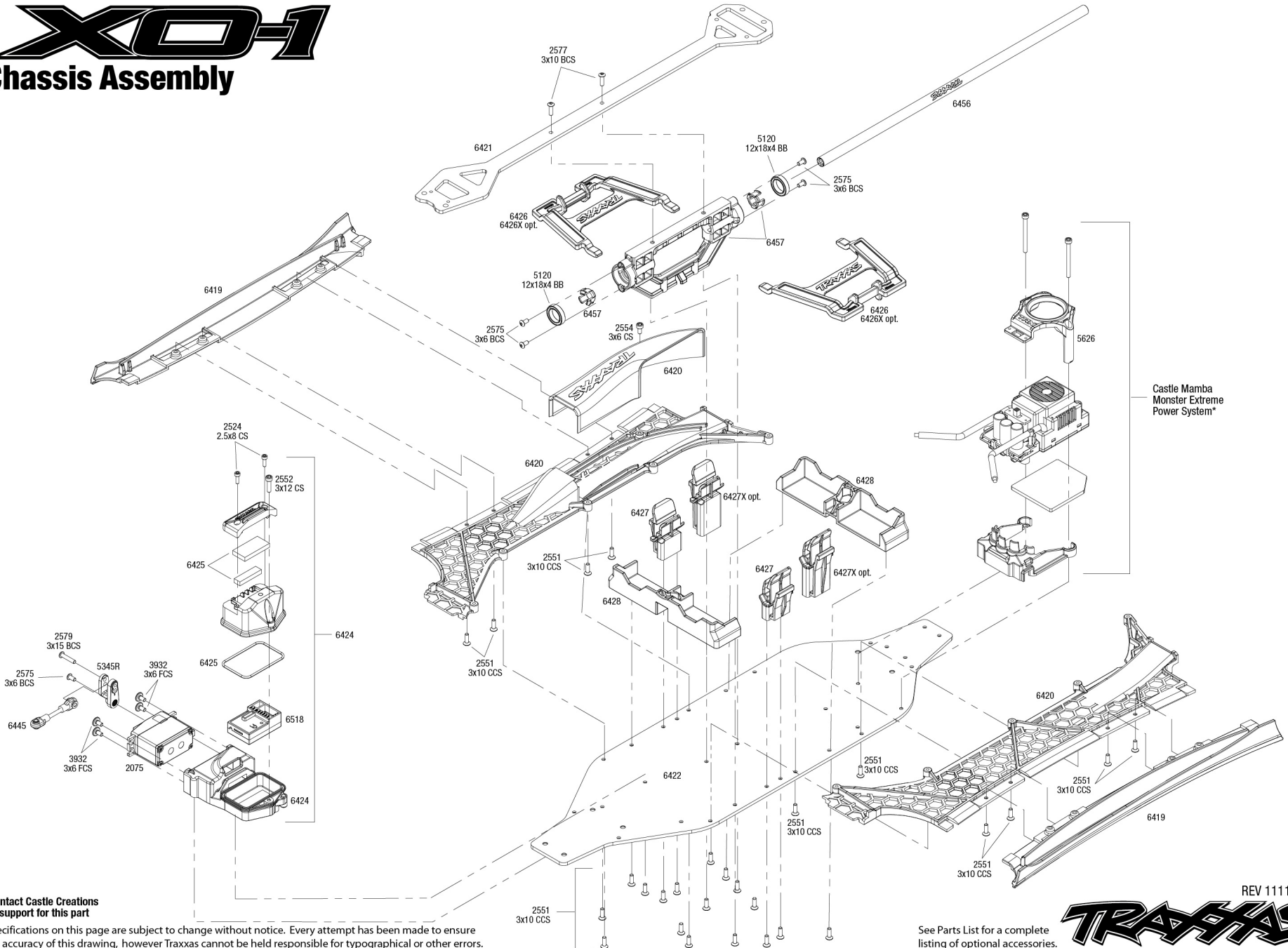
See Parts List for a complete listing of optional accessories.

REV 111122-R00 **Front Assembly**



XO-1

Chassis Assembly

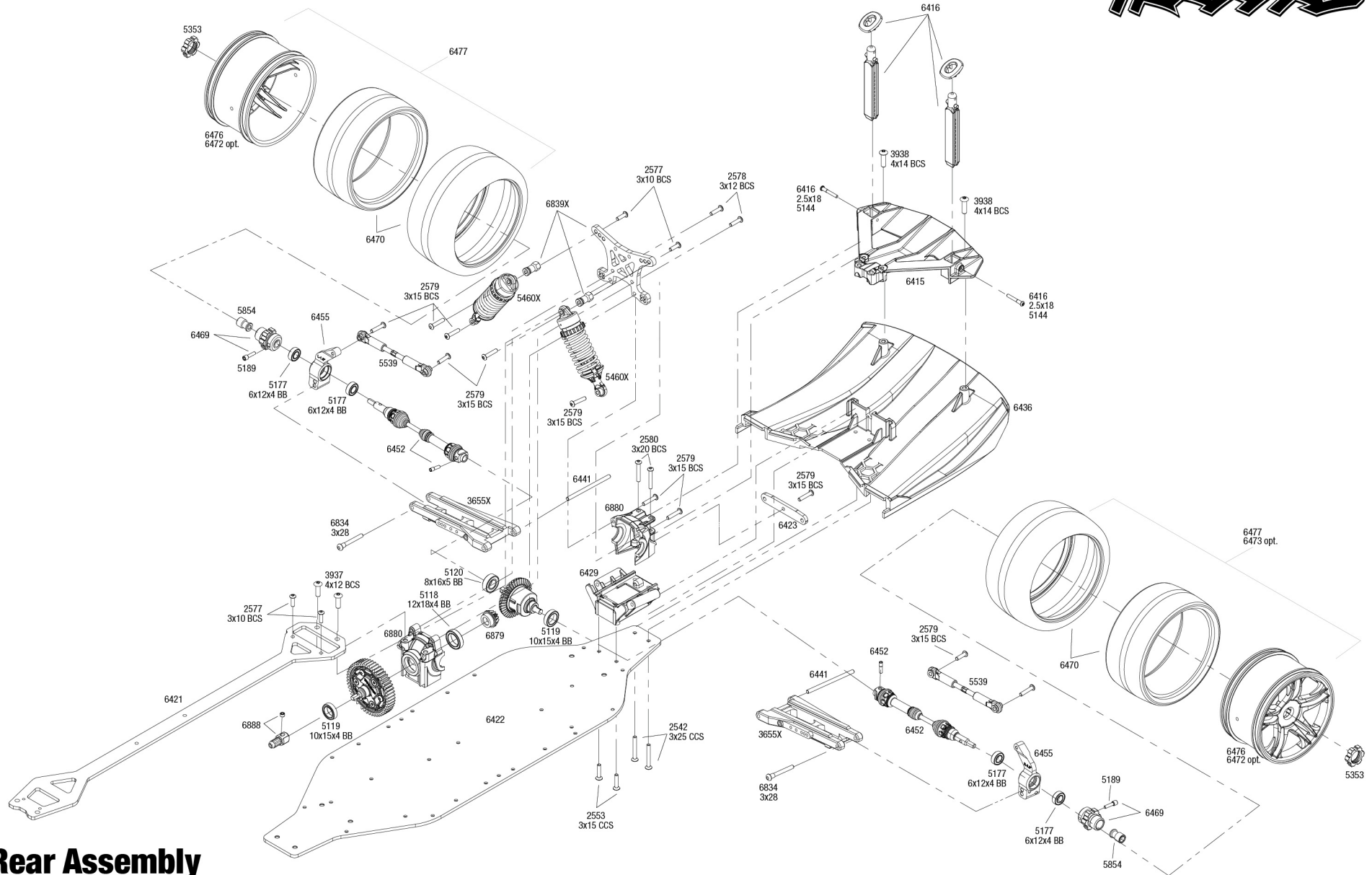


Castle Mamba
Monster Extreme
Power System*

*Contact Castle Creations
for support for this part

Specifications on this page are subject to change without notice. Every attempt has been made to ensure the accuracy of this drawing, however Traxxas cannot be held responsible for typographical or other errors.

See Parts List for a complete
listing of optional accessories.



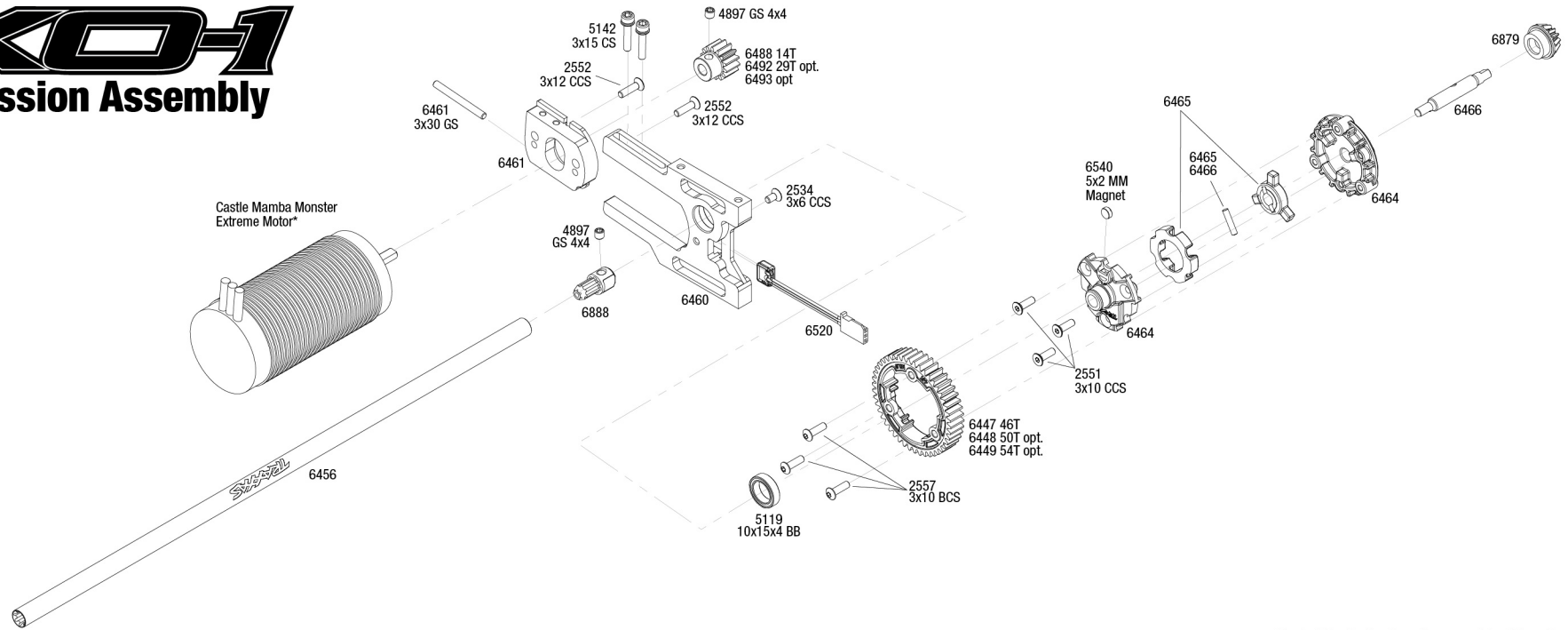
Rear Assembly

XO-1

See Parts List for a complete listing of optional accessories.

REV 111122-R00
 Specifications on this page are subject to change without notice. Every attempt has been made to ensure the accuracy of this drawing, however Traxxas cannot be held responsible for typographical or other errors.

XO-1 Transmission Assembly

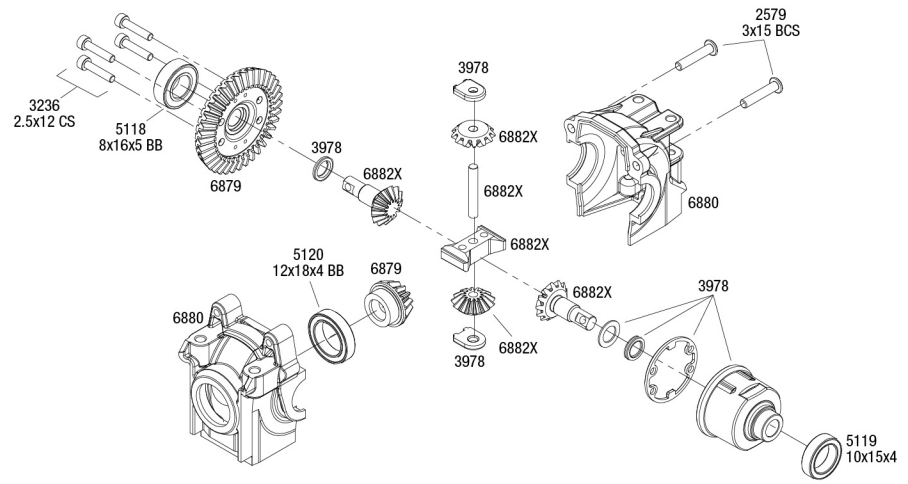
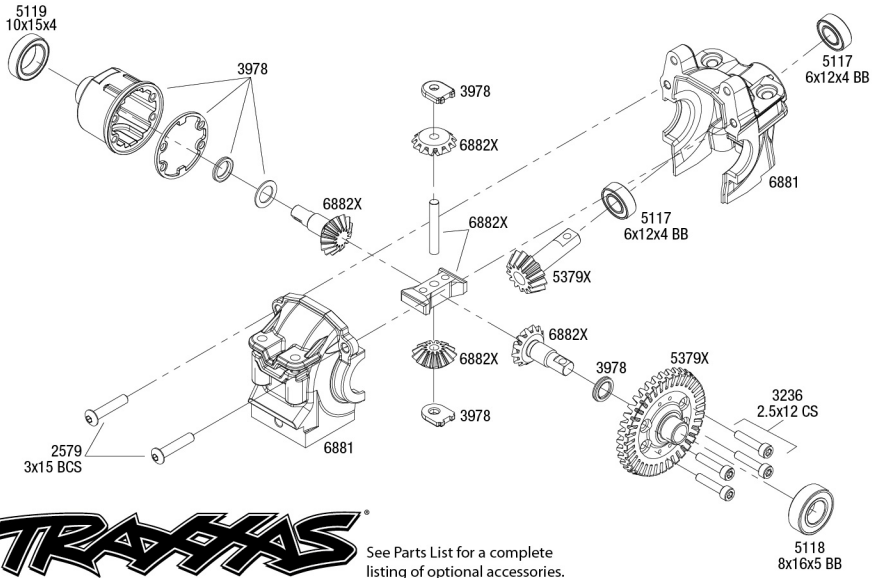


Castle Mamba Monster Extreme Motor*

*Contact Castle Creations for support for this part

Front Differential

Rear Differential



See Parts List for a complete listing of optional accessories.

REV 111122-R00
Specifications on this page are subject to change without notice. Every attempt has been made to ensure the accuracy of this drawing, however Traxxas cannot be held responsible for typographical or other errors.