



EstesRockets.com

LOW-BOOM SST™

7289



MODEL ROCKET INSTRUCTIONS

KEEP FOR FUTURE REFERENCE

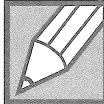
IMPORTANT: Please record date found on decal and keep for future reference. _____

Read all instructions. Make sure you have all parts and supplies. Test fit all parts before applying glue.

SUPPLIES



SCISSORS



PENCIL



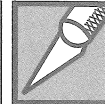
RULER



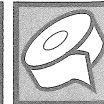
FINE SANDPAPER



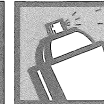
YELLOW GLUE



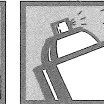
HOBBY KNIFE



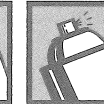
MASKING TAPE



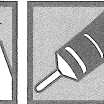
PRIMER (WHITE)



PAINT (WHITE, RED)



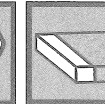
CLEAR COAT (OPTIONAL)



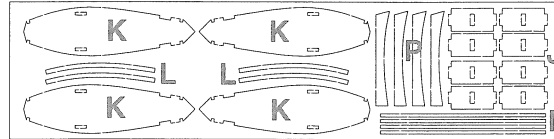
PLASTIC CEMENT



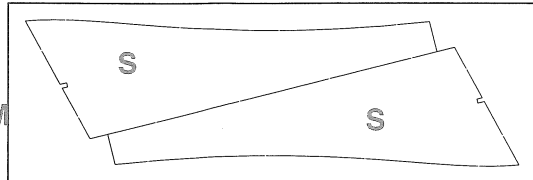
CLEAR TAPE



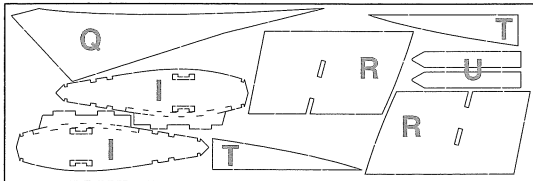
SAND BLOCK



090051-7289A
Laser cut wood sheet



090051-7289C
Laser cut wood sheet



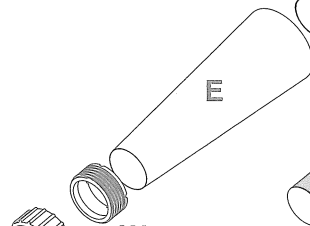
090051-7289B
Laser cut wood sheet



090052-7289
Laser cut card stock



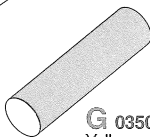
Y 038362
Shock cord



A 030029
Engine mount tube



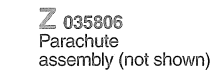
W 072421/422
Engine retainer set



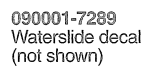
B 030162-2
Green engine block



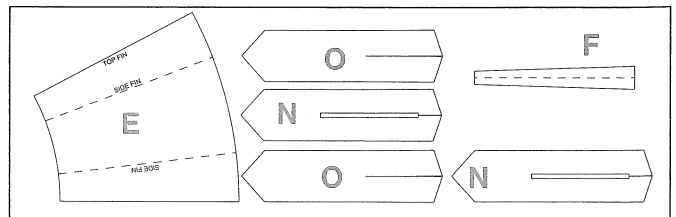
G 035003
Yellow spacer tool



Z 035806
Parachute assembly (not shown)



090001-7289
Waterslide decal (not shown)



090057-7289
Printed index stock

H 030382
Body tube

Shock cord mount
(Make a copy if you want to keep instructions.)

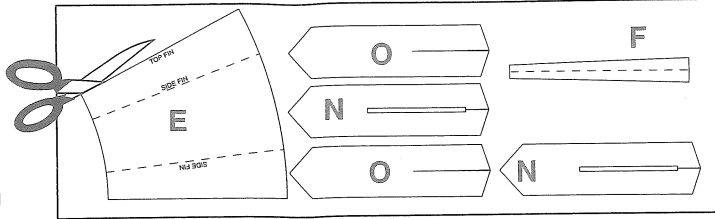
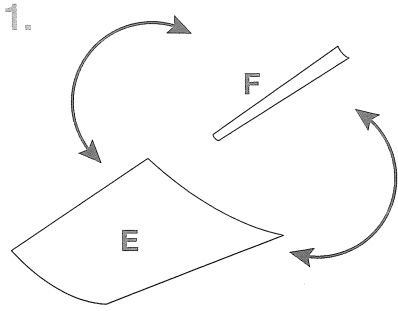


3

2

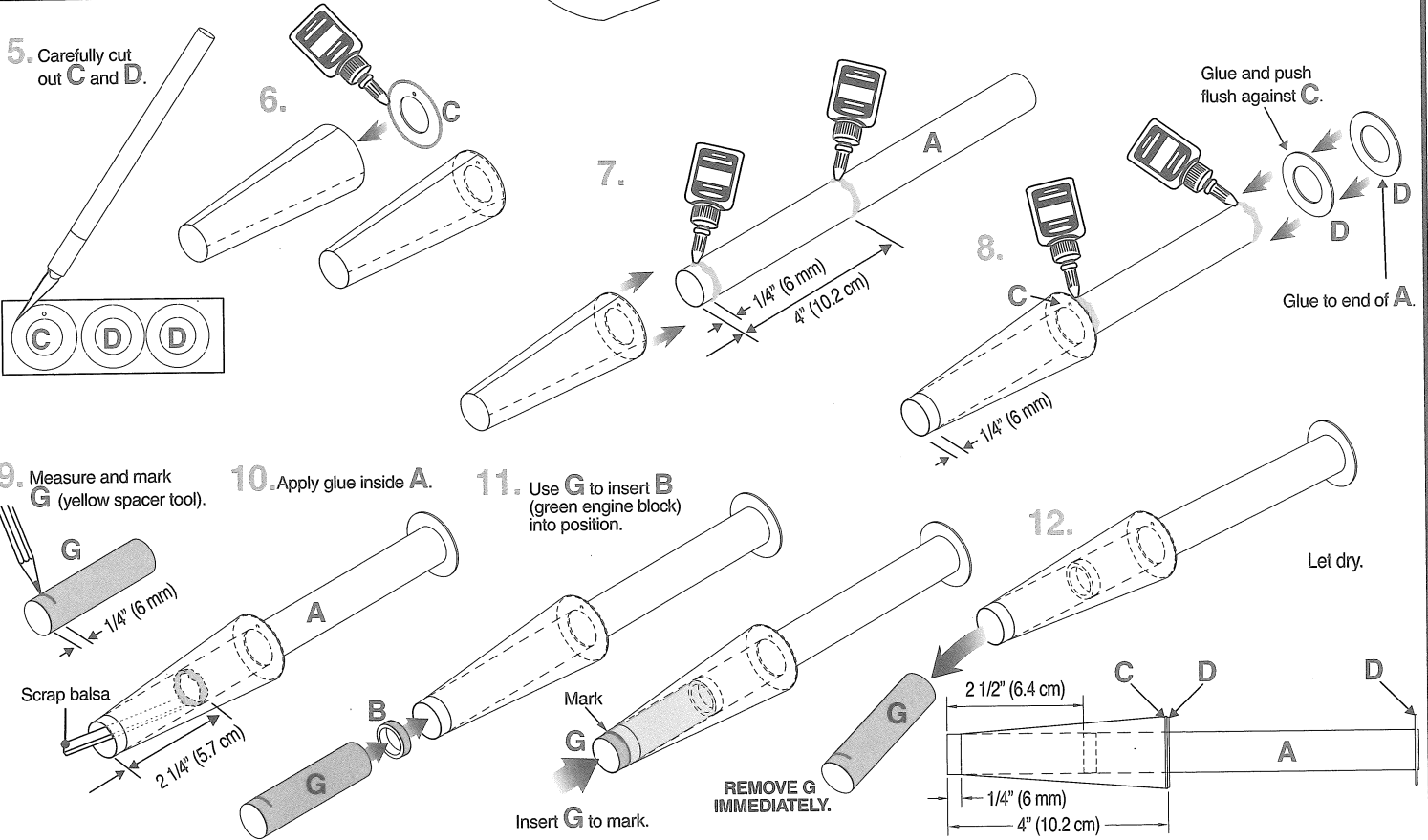
1

ASSEMBLE ENGINE MOUNT

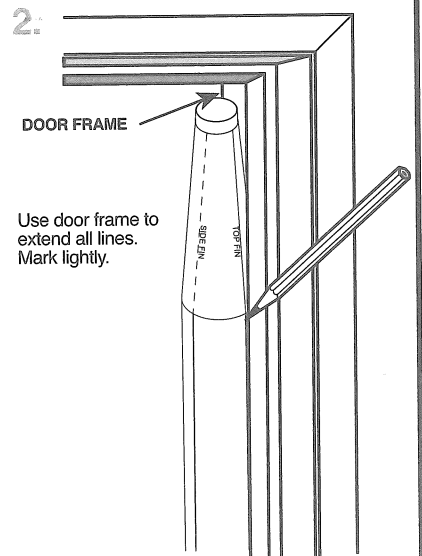
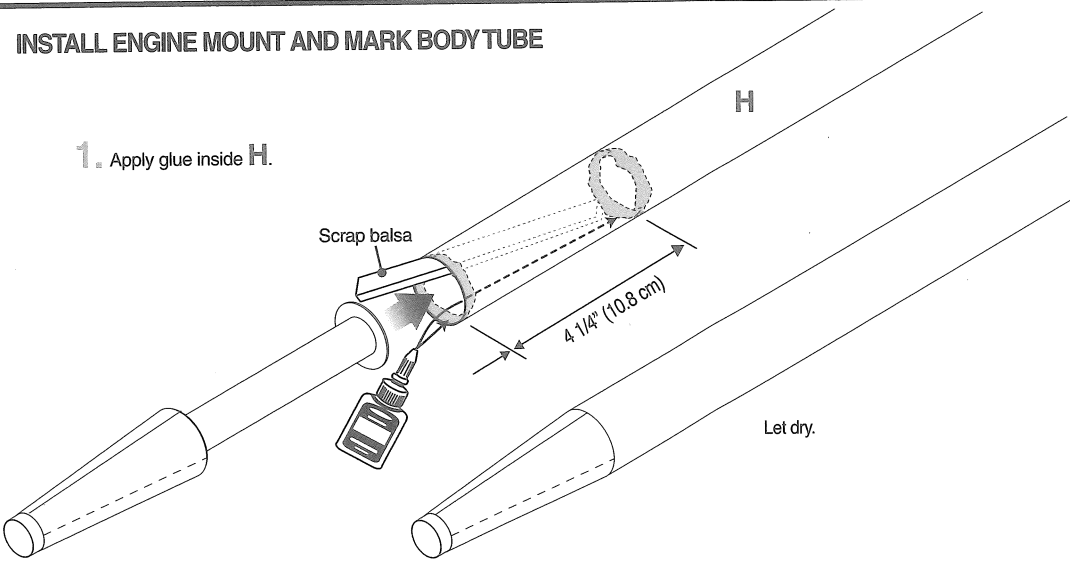


NOTE:
Cut out all parts along solid lines. Save **N** and **O** for later use.

NOTE:
You will need to roll **E** and **F** around a solid object such as a broom handle or something smaller in diameter to get the index stock to bend in a circular manner. Without pre-bending the index stock, it will be very difficult to glue the ends together and get a nice looking part.

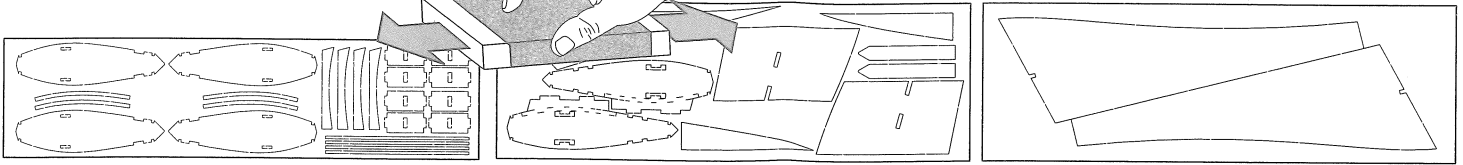


INSTALL ENGINE MOUNT AND MARK BODYTUBE



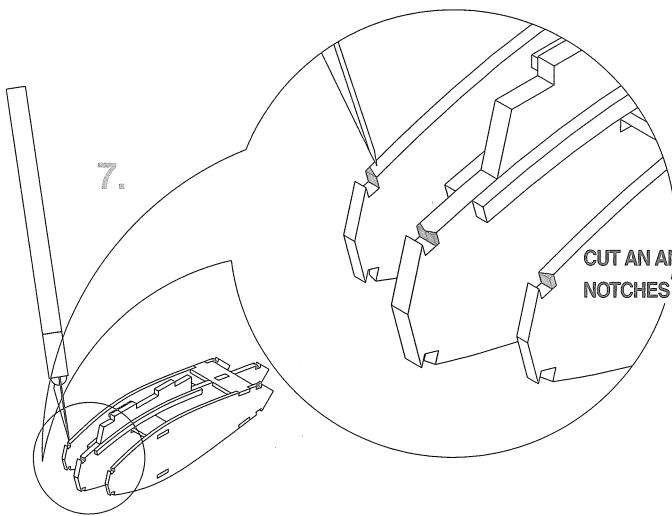
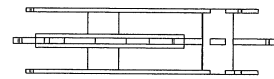
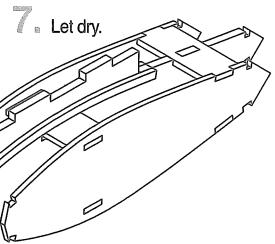
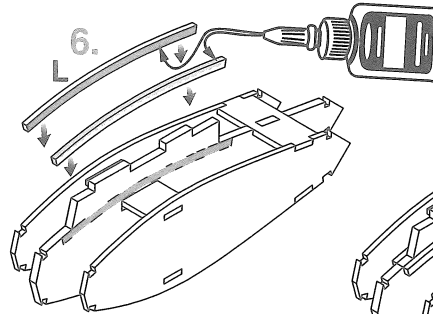
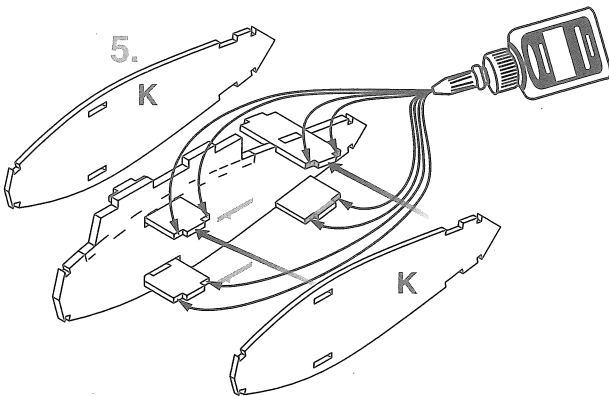
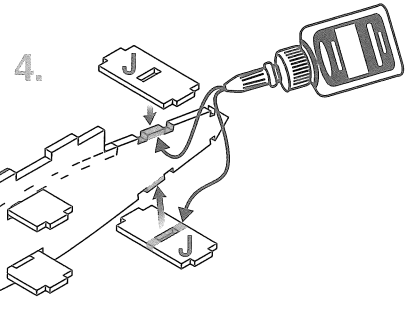
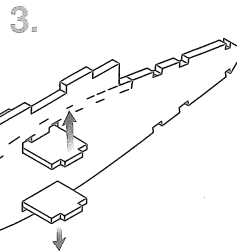
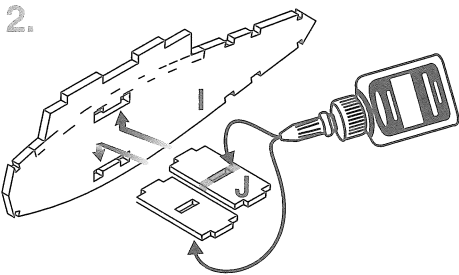
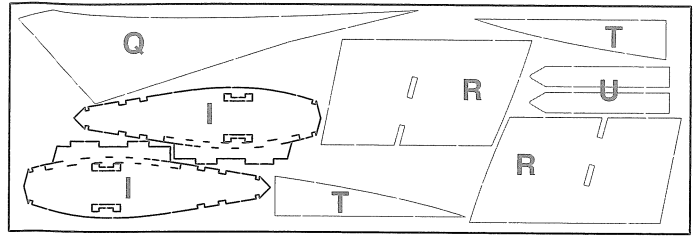
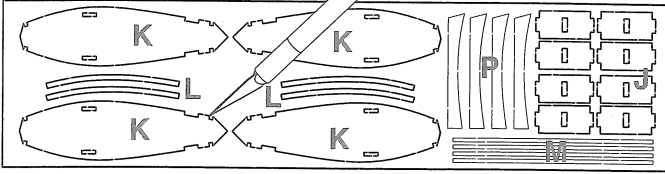
PREPARE LASER CUT WOOD SHEETS

1. Lightly sand both sides of each wood sheet.

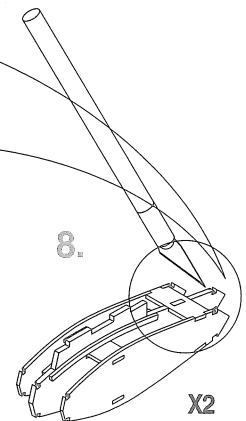
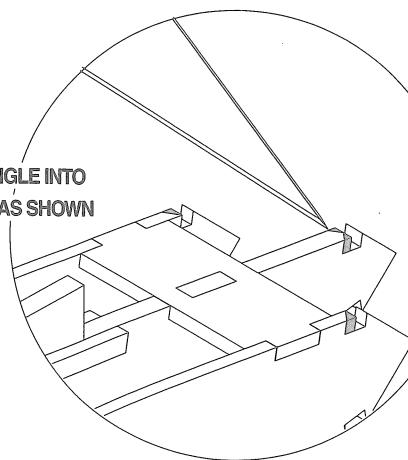


ASSEMBLE ENGINE PODS

1. Carefully cut out indicated parts.



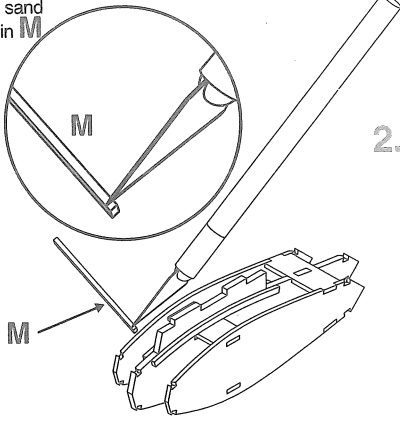
CUT AN ANGLE INTO NOTCHES AS SHOWN



X2

FINISH ENGINE PODS

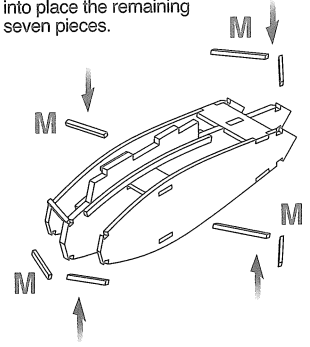
1. Cut or sand angle in **M**



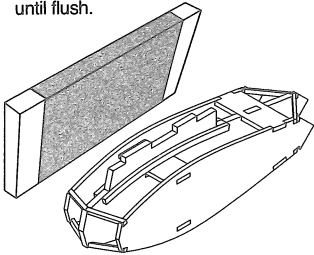
2. Cut **M** slightly longer than needed.

After cutting **M**, remove it, apply glue and replace it.

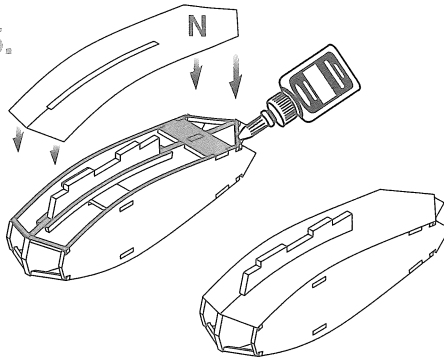
3. Repeat cutting and gluing into place the remaining seven pieces.



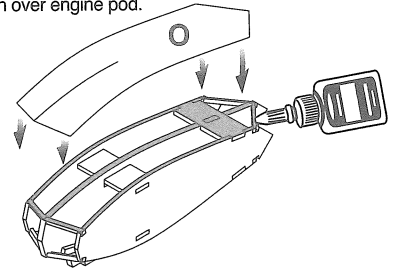
4. Lightly sand all sides of engine pod until flush.



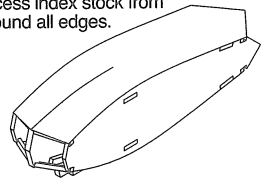
- 5.



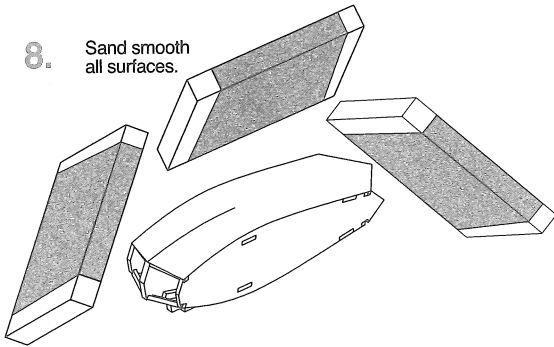
6. Turn over engine pod.



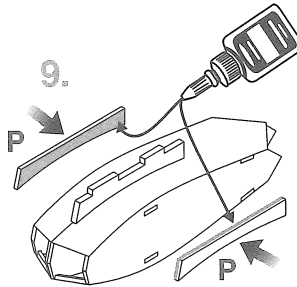
7. After glue dries, trim excess index stock from around all edges.



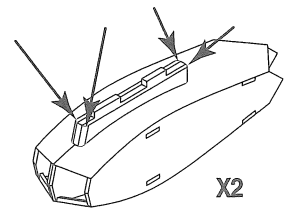
8. Sand smooth all surfaces.



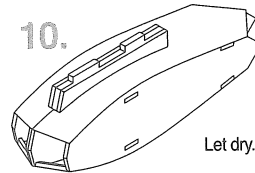
- 9.



11. Round four corners.



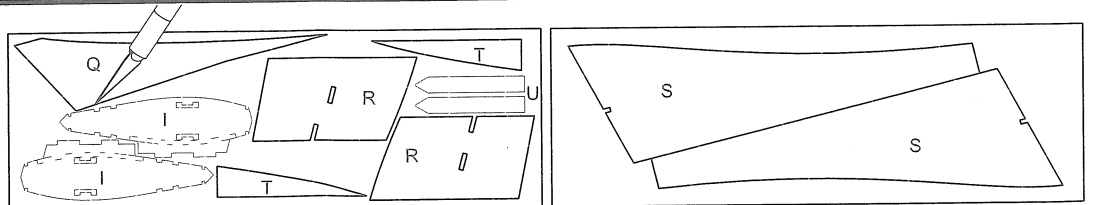
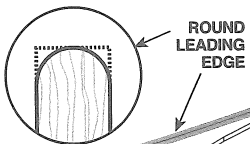
- 10.



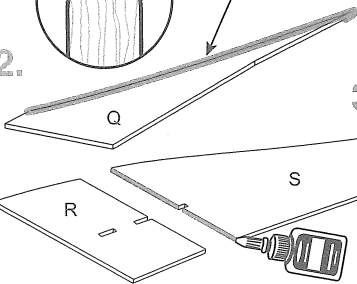
X2

ASSEMBLE AND PREPARE FINS

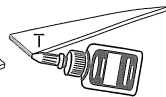
1. Carefully cut out.



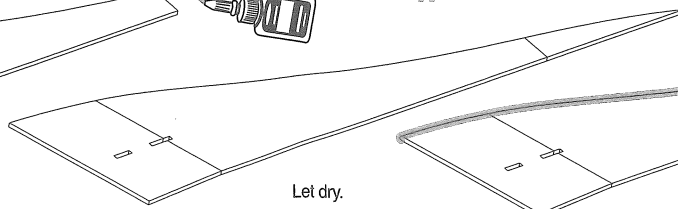
- 2.



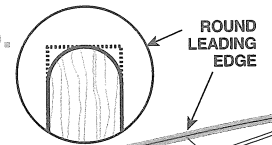
- 3.



- 4.



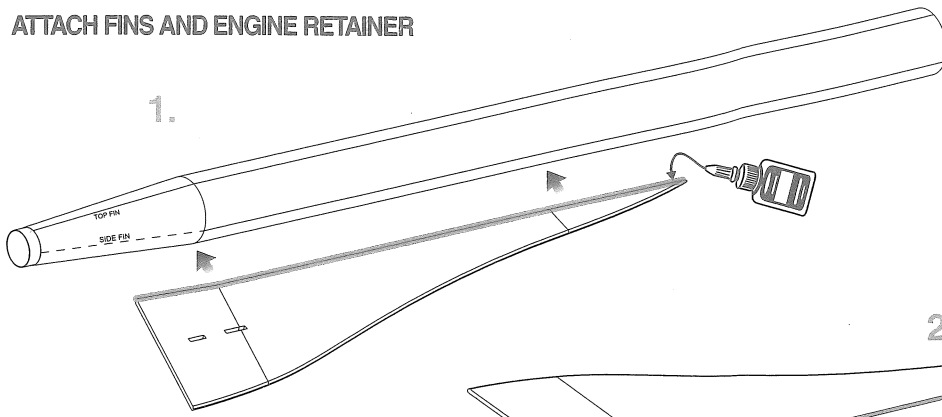
- 5.



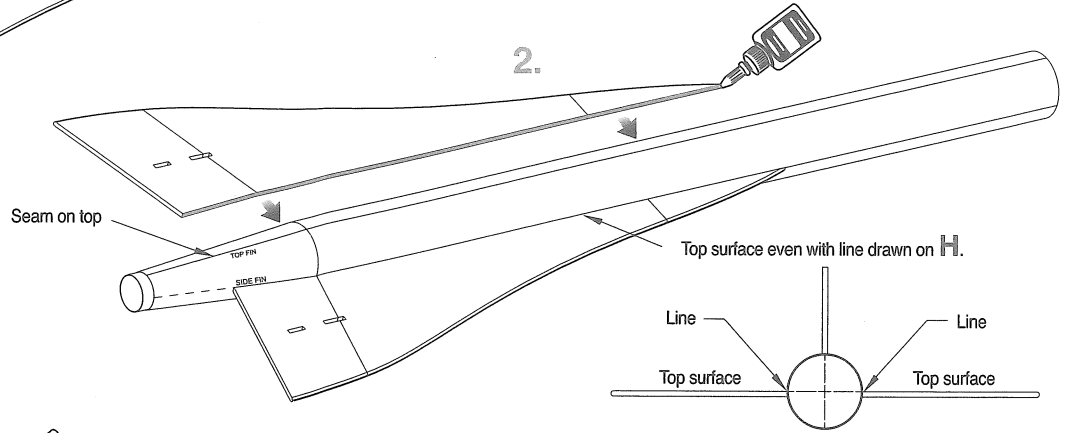
X2

ATTACH FINS AND ENGINE RETAINER

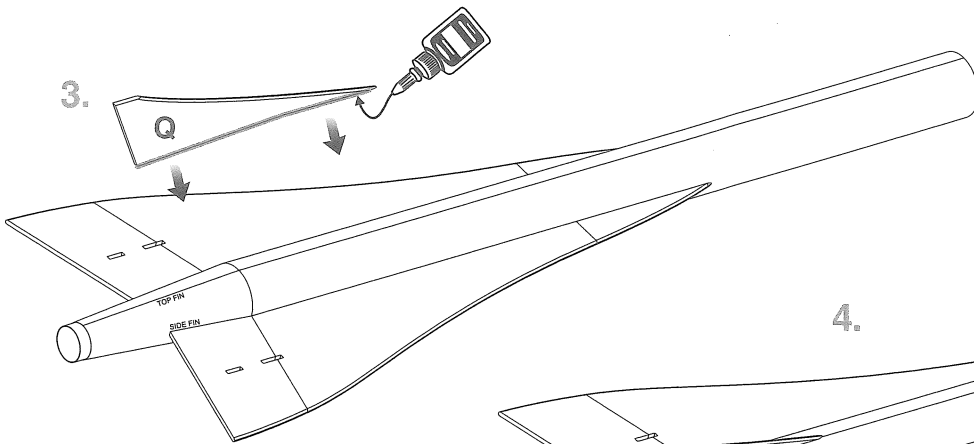
1.



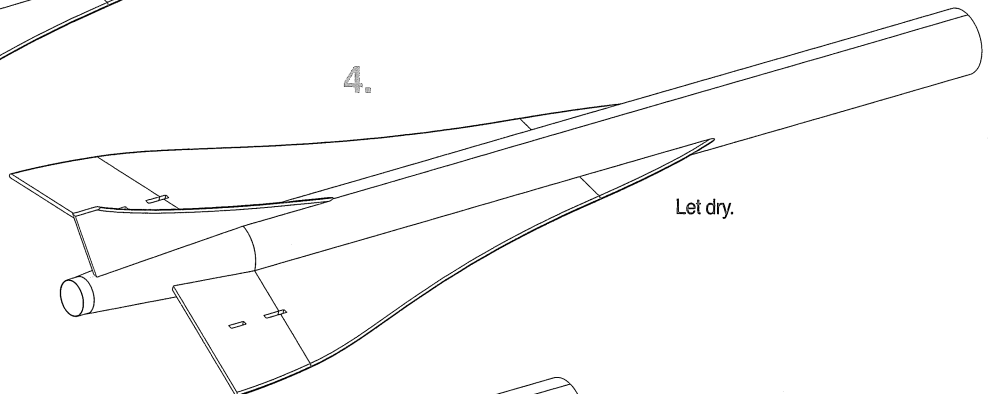
2.



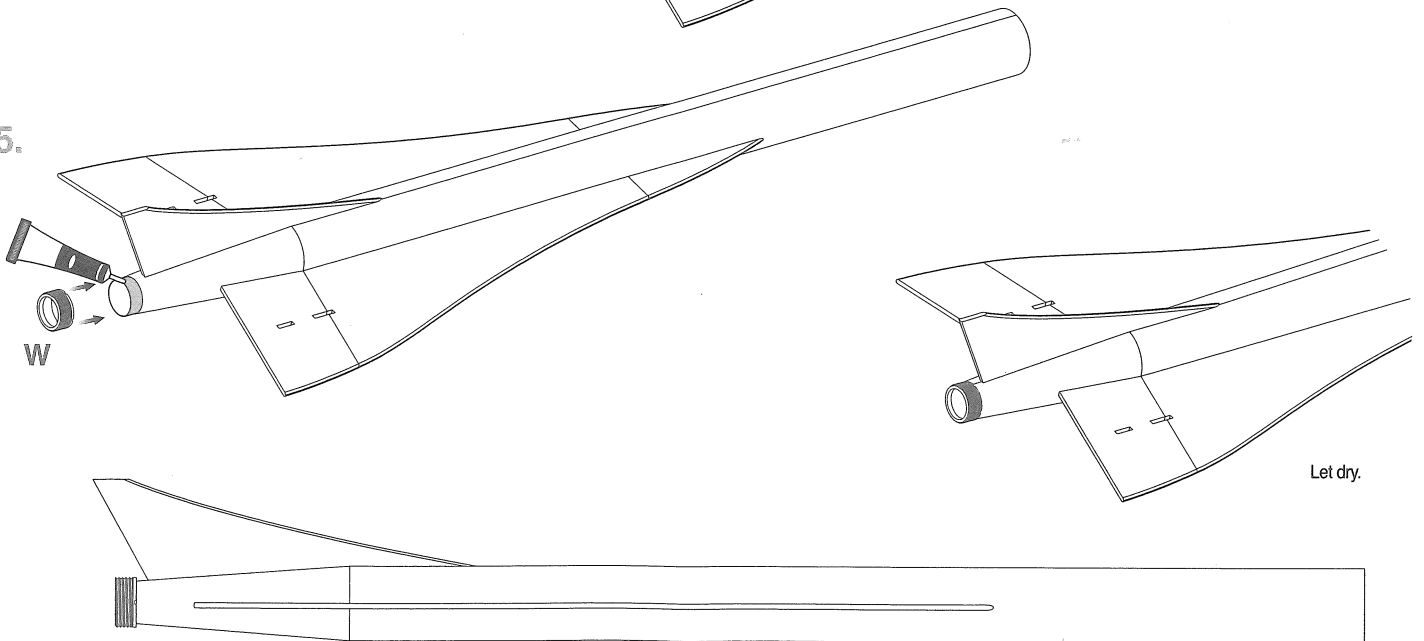
3.



4.

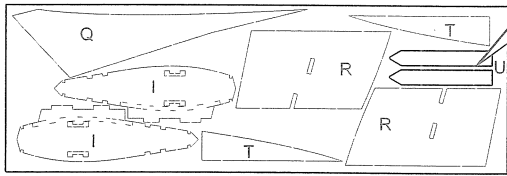


5.



ATTACH FIN DETAIL

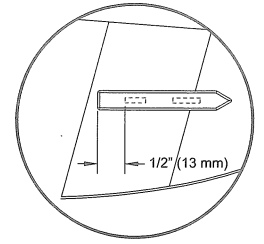
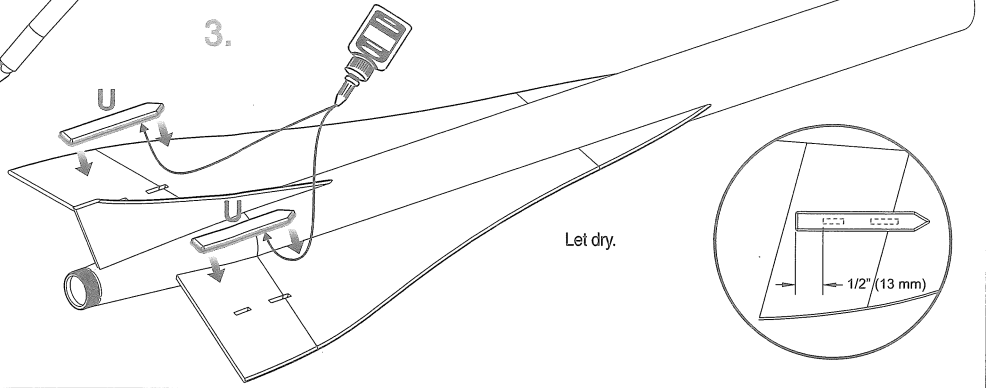
1. Carefully cut out.



2. Round upper edges.

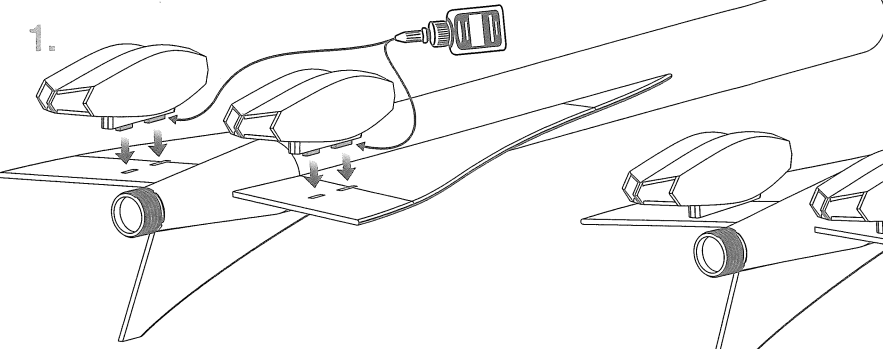


3.

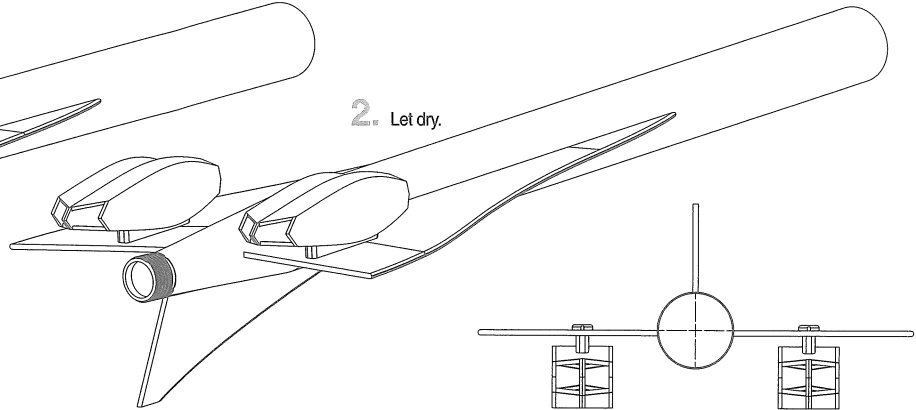


ATTACH ENGINE PODS

1.



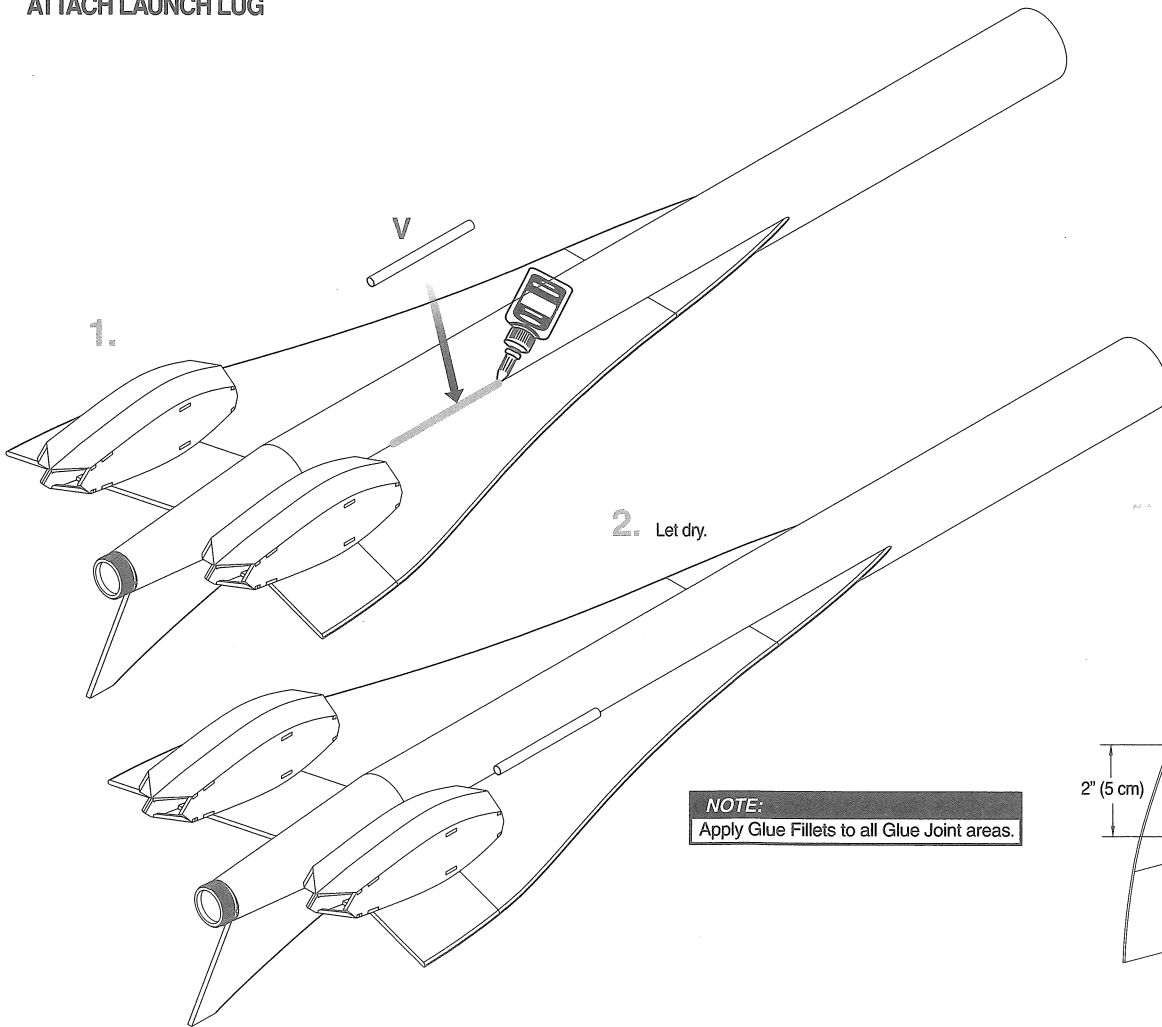
2. Let dry.



FRONT VIEW

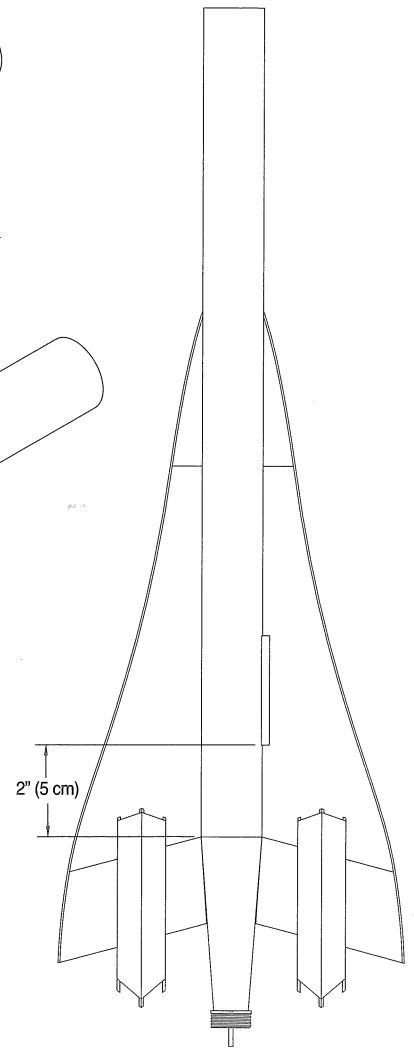
ATTACH LAUNCH LUG

1.

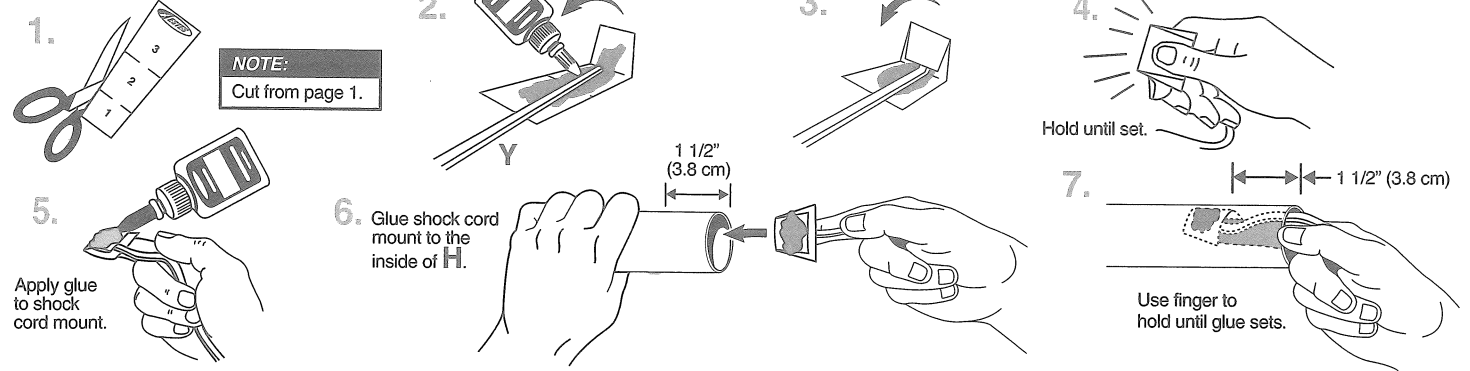


2. Let dry.

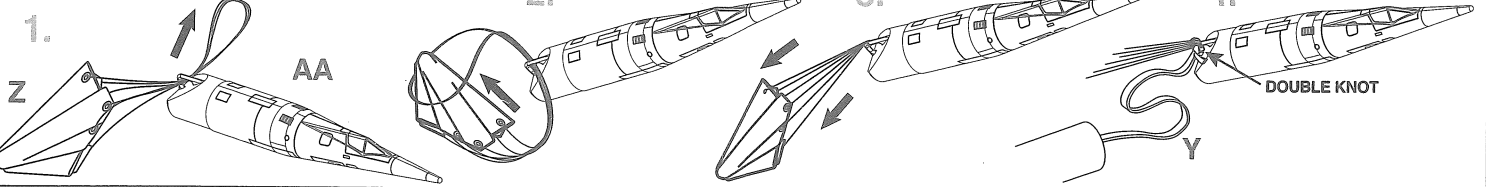
NOTE:
Apply Glue Fillets to all Glue Joint areas.



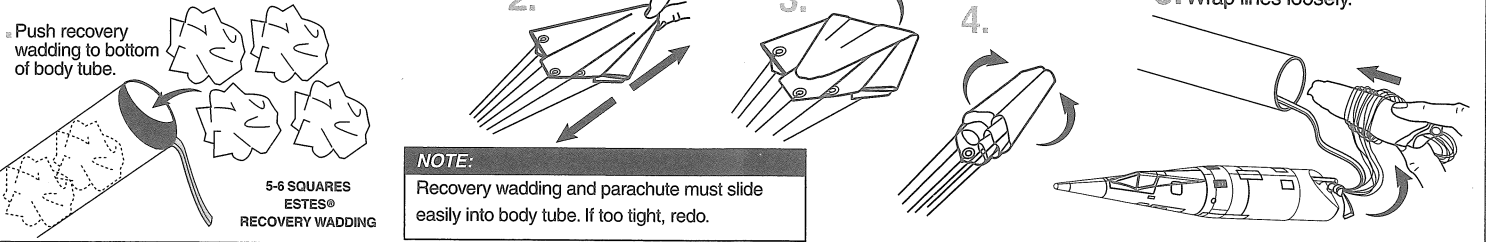
ATTACH SHOCK CORD



ATTACH RECOVERY SYSTEM

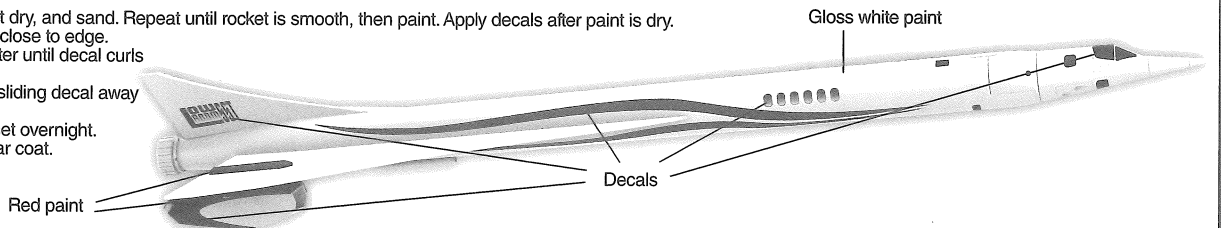


PREPARE FLIGHT RECOVERY

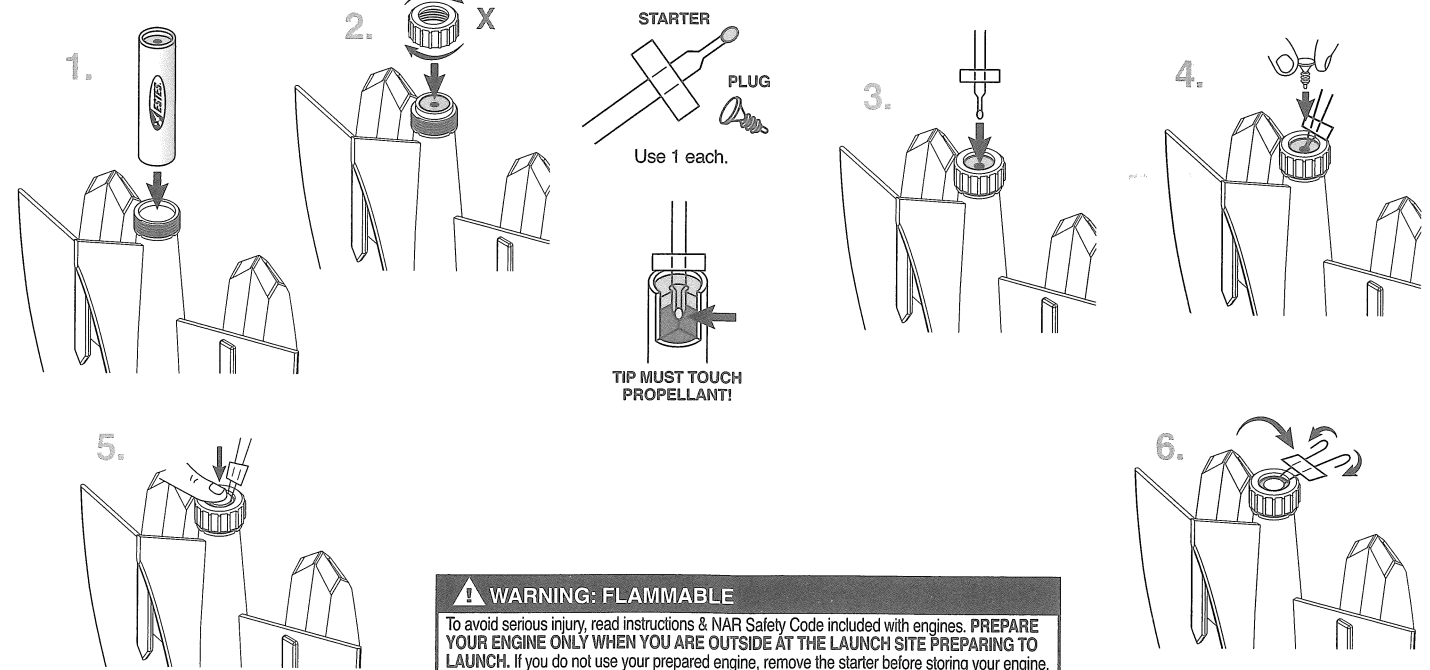


ROCKET FINISHING

1. Spray rocket with white primer, let dry, and sand. Repeat until rocket is smooth, then paint. Apply decals after paint is dry.
2. Cut decals from sheet, trimming close to edge.
3. One at a time, place in warm water until decal curls and begins to relax.
4. Remove and position on rocket, sliding decal away from backing material.
5. Blot with clean paper towel. Let set overnight.
6. OPTIONAL: Apply protective clear coat.

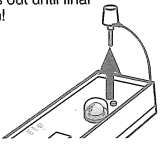
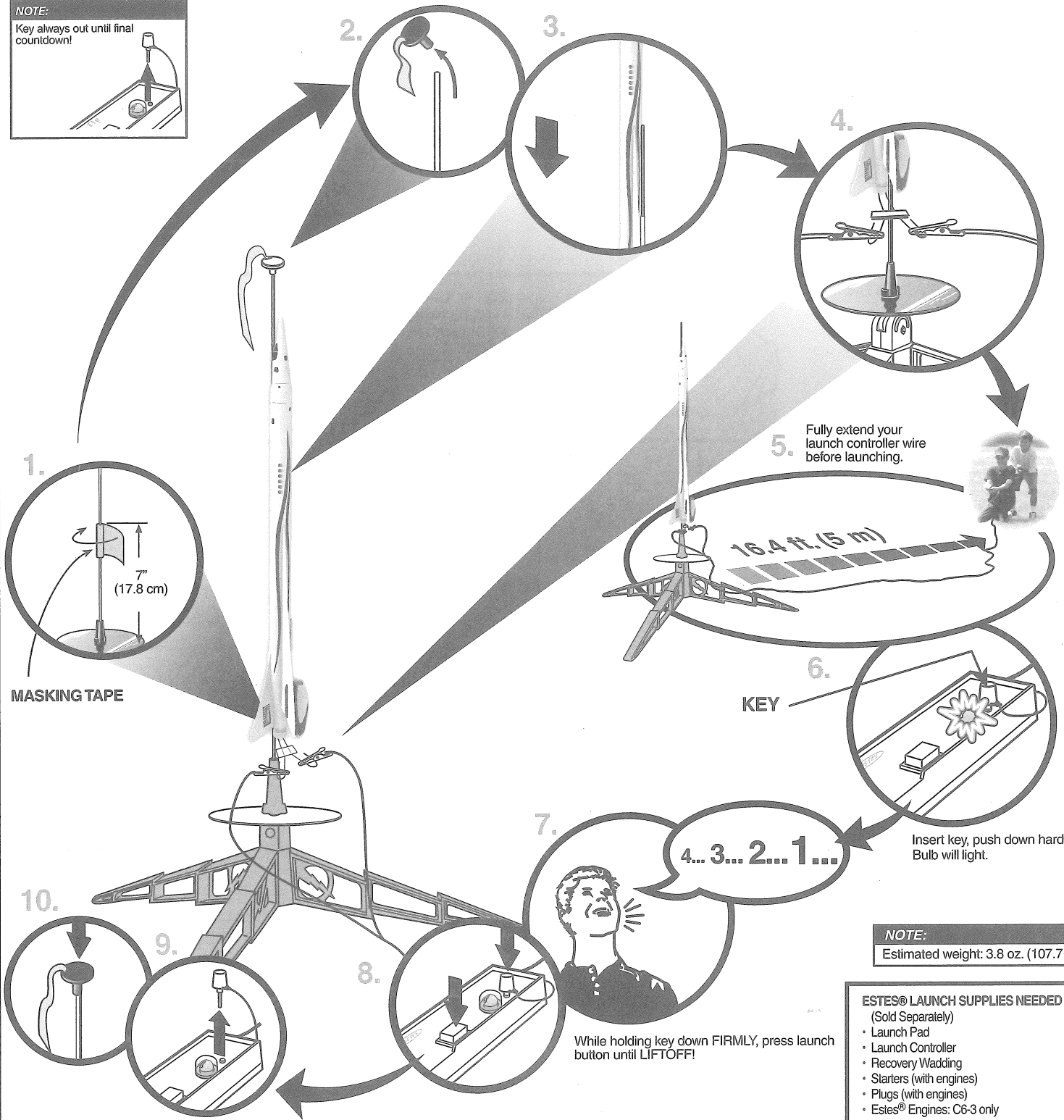


PREPARE ENGINE



COUNTDOWN AND LAUNCH

NOTE:
Key always out until final countdown!

NOTE:
Estimated weight: 3.8 oz. (107.7 g)

- ESTES® LAUNCH SUPPLIES NEEDED**
(Sold Separately)
- Launch Pad
 - Launch Controller
 - Recovery Wadding
 - Starters (with engines)
 - Plugs (with engines)
 - Estes® Engines: C6-3 only

PRECAUTIONS



NAR SAFETY CODE



NO DRY GRASS OR WEEDS

PRE-LAUNCH CHECK For safety, never launch a damaged rocket. Check the rocket's body, nose cone and fins. Also, check the engine mount, recovery system and launch lug(s). Repair any damage before launching the rocket.

FLYING YOUR ROCKET Choose a large field (500 ft. [152 m] square) free of dry weeds and brown grass. The larger the launch area, the better your chance of recovering your rocket. Football fields and playgrounds are great. Launch only with little or no wind and good visibility. Always follow the National Association of Rocketry (NAR) SAFETY CODE (enclosed).

MISFIRES TAKE THE KEY OUT OF THE CONTROLLER. WAIT ONE MINUTE BEFORE GOING NEAR THE ROCKET. Disconnect the micro-clips and remove the engine. Take the plug and starter out of the engine. A burned starter means the starter tip was not touching engine propellant. Install a new starter; be sure the tip is touching propellant inside the engine. Push the plug in place. Repeat steps under Countdown and Launch.

