



3838 #96126

Warning! This product contains (a) small magnet(s). Swallowed magnets can stick together across intestines causing serious infections and death. Seek immediate medical attention if magnet(s) are swallowed or inhaled.

Warning! Not suitable for children under 36 months. Small parts. Choking hazard. The packaging will be kept since it contains important information. Please keep packaging for future reference. We reserve the right to improve/amend specifications and colours without notice.

Content:

Slot car: X 2
Track: 1 set (Refer to FIG.2) Speed controller: X 2 (Refer to FIG.2)

Battery Requirement:

Controller: 8 x 1.5V "AA" LR6/R6 Batteries (Refer to FIG.1)

How to play:

- Use screwdriver to loosen the screw on the battery cover and to open the battery cover. (Screwdriver is not included)
- Install 8 new 1.5V "AA" LR6/R6 batteries in the battery compartment with correct (+/-) as shown inside compartment.
- Install the battery cover and then tighten the screw on the battery cover.
- Set up the tracks (Refer to FIG.3/FIG.4/FIG.5/FIG.6)
- Set up fence on the track. (Refer to FIG.7)
- Set up the speed controllers (Refer to FIG.8)
- Refer to FIG.5 for the direction of the cars when they are placed on the track.
- When place the car on the track, make sure that the car's guide keel is located inside the track slot and that the double sliding contact is in contact with the current carrying track. (Refer to FIG.10)
- Use the speed controller to start the car and control the speed. (Refer to FIG.9)
- For one or two players.

Battery use:

- Alkaline batteries are recommended.
- Only batteries of the same or equivalent type as recommended are to be used.
- Do not mix alkaline, standard or rechargeable batteries.
- Do not mix old and new batteries or different type of batteries.
- Non-rechargeable batteries are not to be charged.
- If rechargeable batteries are to be used, they are only to be charged by an adult.
- Rechargeable batteries are to be removed from the product before they are charged.
- Be sure to insert batteries with correct polarities and always follow the battery manufacturer's instructions.
- Remove all batteries from the product when not in use for long periods of time.
- Exhausted batteries are to be removed from the product.
- The supply terminals are not to be short-circuited.
- Dispose of batteries properly. Do not dispose of batteries in fire - it may cause them to explode or leak causing injury or damage.
- Battery change must only be made by adult.

Caution:

- Check the track, vehicles, and parts periodically for damage. Defective parts should be repaired or replaced.
- Do not open the speed controls.
- The set has been designed for indoor use only.
- Keep liquid substances away from all electrical connections.

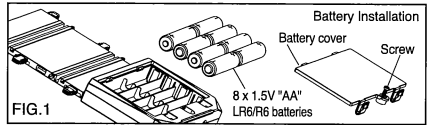


FIG.1

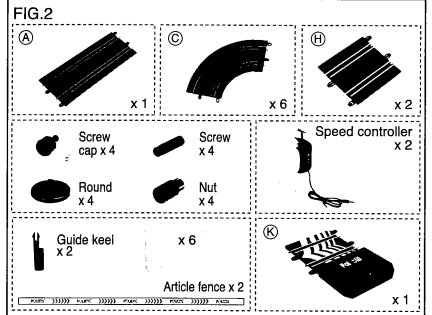


FIG.2

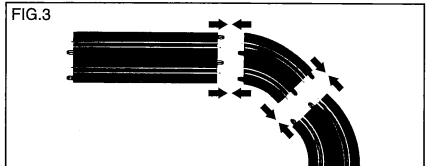


FIG.3

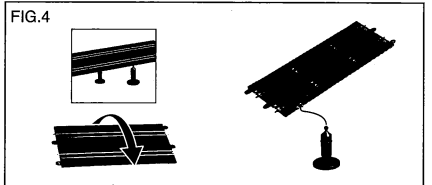


FIG.4

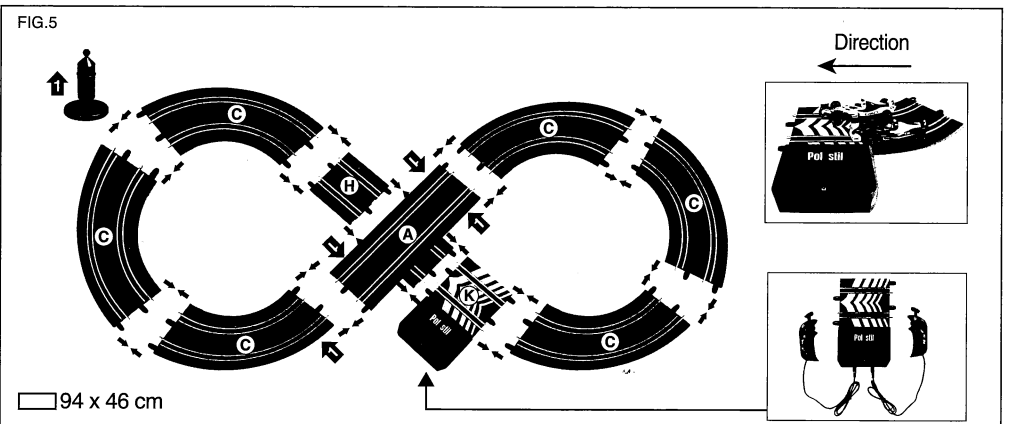
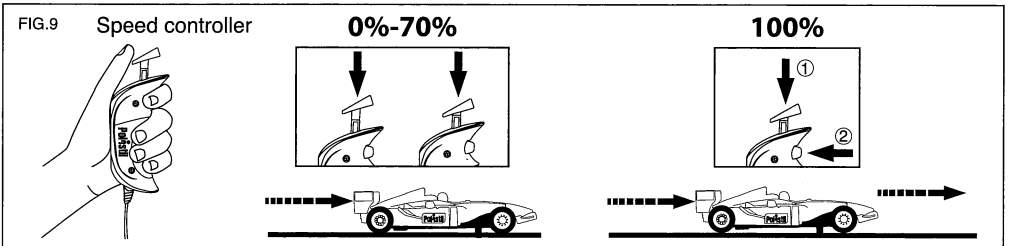
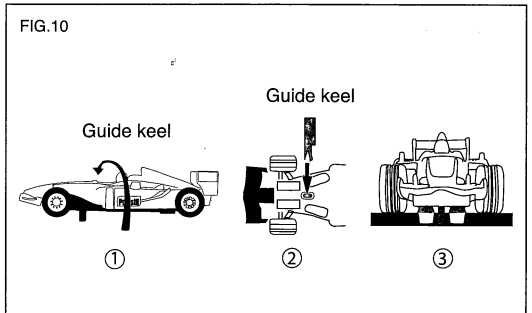
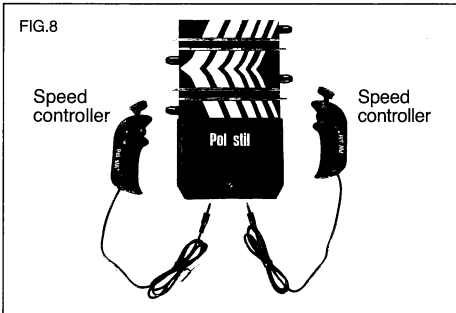
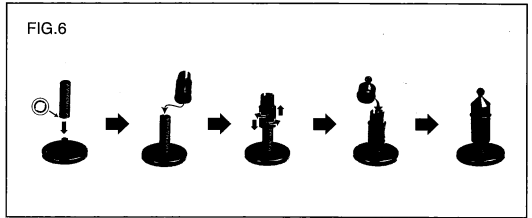
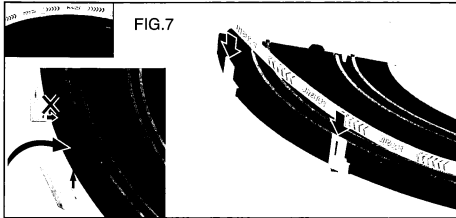


FIG.5

94 x 46 cm

5. Keep metal objects away from the track as they can cause short circuits.
6. Vehicles travelling at high speed can fly off the track, therefore keep the track away from delicate objects to avoid damaging them.
7. It is not recommended to set the track up on carpet floors.
8. Never use cleaning agents or water.
9. For best results, store the track in the original packaging when not in use.
10. Don't lock or hold the cars while the engine is on. This may lead to overheating and engine breakdown.
11. Driving too fast may cause the cars veering off the track. This is not a malfunctioning of the cars but a reaction on driving at very high speed.
For this reason it is extremely important to slow down before bends.
12. Do not operate race track at face- or eye-level –risk of injury due to cars being catapulted off the track..
13. Refer to FIG.10 for replacing the guide keel.
14. Do not disassemble magnets from the product. It can cause injury if magnets are swallowed or inhaled.



Declaration of Conformity

The product is in conformity with the requirement of EN62115/EMC

Environmental notes:



The whole product also does not belong to household waste at the end of the product life. You can return it at collection points for the recycling of electronic and electrical instruments. The symbol on the item ,instruction manual, hangtag or packing is showing this clearly.

Materials should be recycled according to their respective markings. Recycling of old devices or other re-use of materials contained therein represents an important contribution to environmental protection.

Please ask at your local community for the correct collection point.

Disposal of batteries

Batteries should not be disposed of in the household waste. As the consumer you are legally obliged to return batteries containing harmful substances and all other used batteries. You can hand in your old batteries at public collection points in your area or wherever batteries are sold.



You will find these chemical abbreviations along with a crossed-out refuse bin on batteries containing harmful substances:

- Pb = Battery contains lead
- Cd = Battery contains cadmium
- Hg = Battery contains mercury

CE Declaration

We, hereby, declare that the device complies with the basic requirements and other relevant regulations of the EU Directive EN62115/EMC.