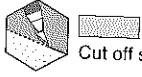


# killerbody™

## Motorized Windscreen Wiper Used with any R/C car No. 48061

● Symbols used throughout the instruction manual, comprise:



Cut off shaded portion.



5mm  
Drill holes with the specified diameter.



Pay close attention here!



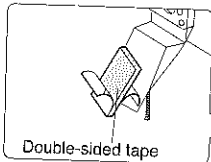
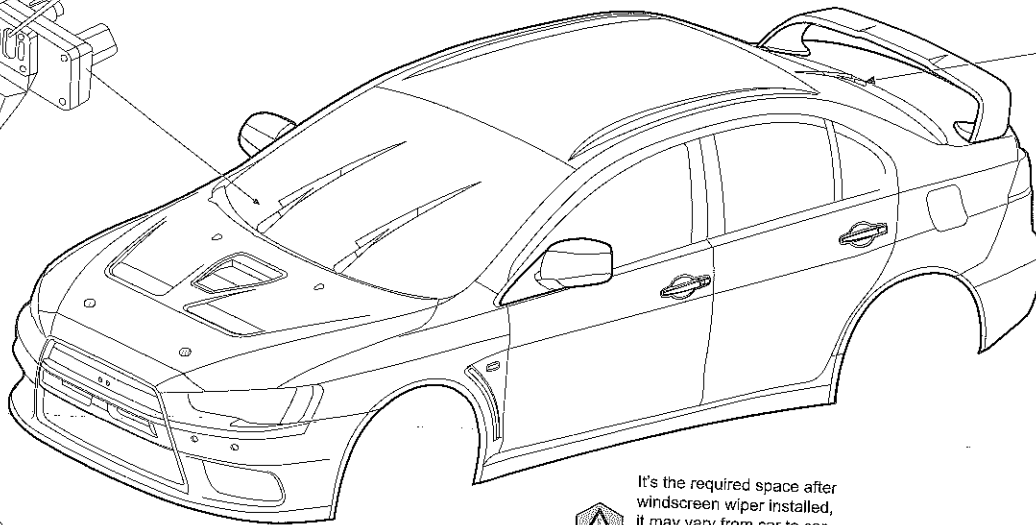
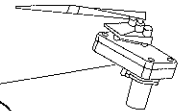
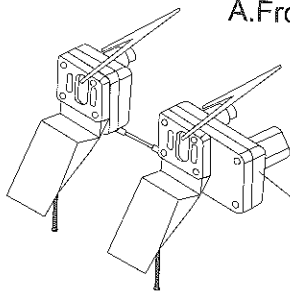
Must be purchased separately.



Assemble left and right sides the same way.

A. Front windscreen wiper

B. Rear windscreen wiper



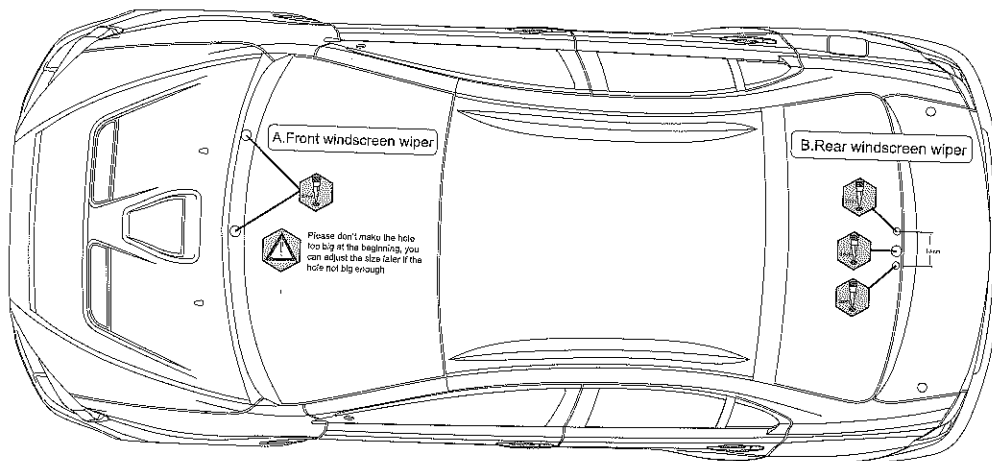
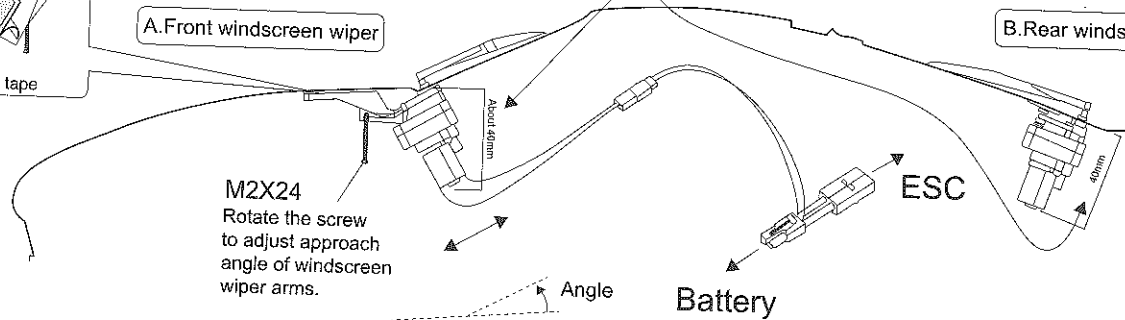
Double-sided tape

A. Front windscreen wiper

B. Rear windscreen wiper

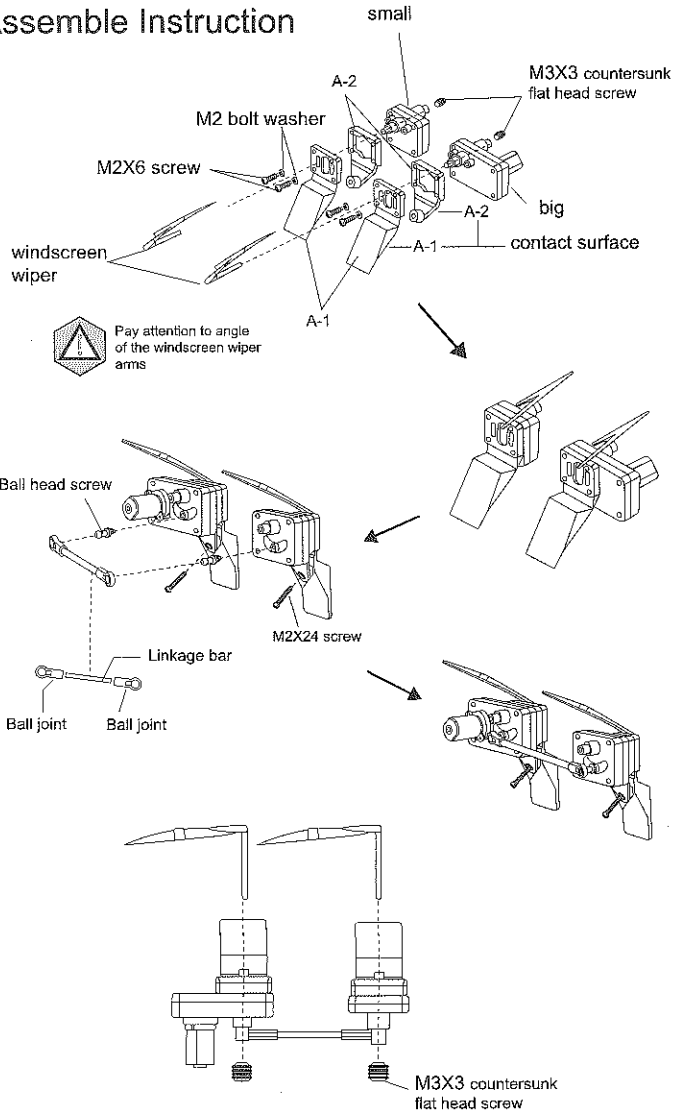


It's the required space after windscreen wiper installed, it may vary from car to car, please make sure to leave enough space before installation.

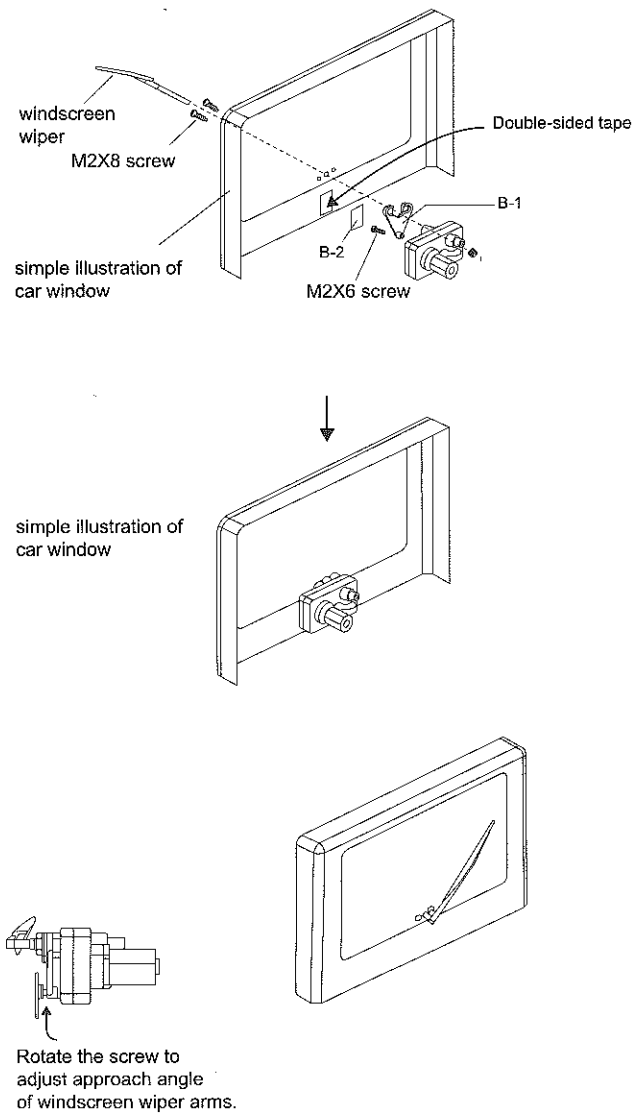


# A Front windscreen wiper

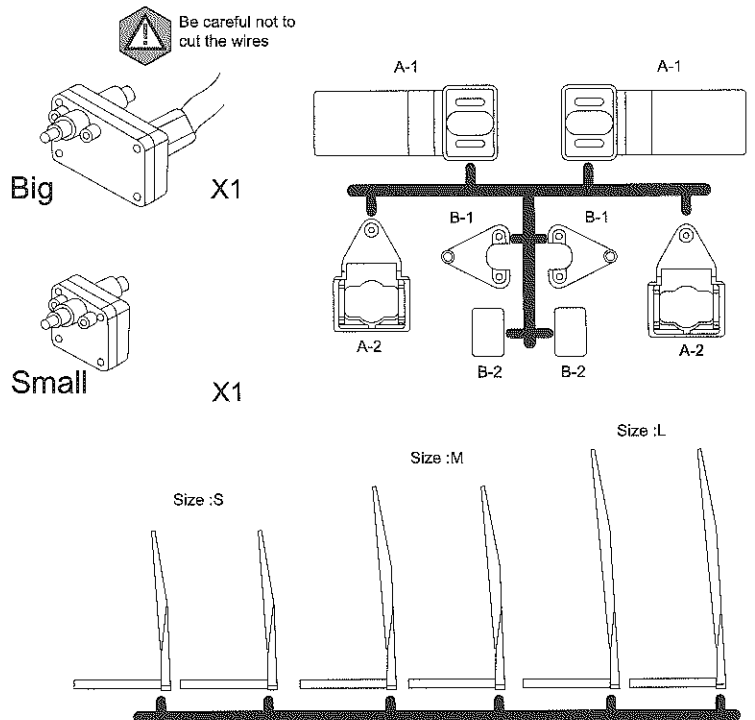
## Assemble Instruction



# B Rear windscreen wiper



- M2 bolt washer ..... X4
- M2X6 screw ..... X6
- M2X8 screw ..... X4
- M2X24 screw ..... X2
- M3X3 countersunk flat head screw ..... X2
- Ball head screw ..... X2
- Ball joint ..... X2
- 1.5X60mm linkage bar ..... X1
- 1.5X45mm linkage bar ..... X1
- 1.5X30mm linkage bar ..... X1
- Double-sided tape ..... X1



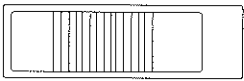


Must be purchased separately.

# CPS-1

3-Channel Servo

OFF - ON



OFF:stop

OFF - ON

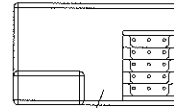


ON:start

Transmitter  
3-Channel Servo

Receiver

Connect receiver into  
channel 2 of receiver

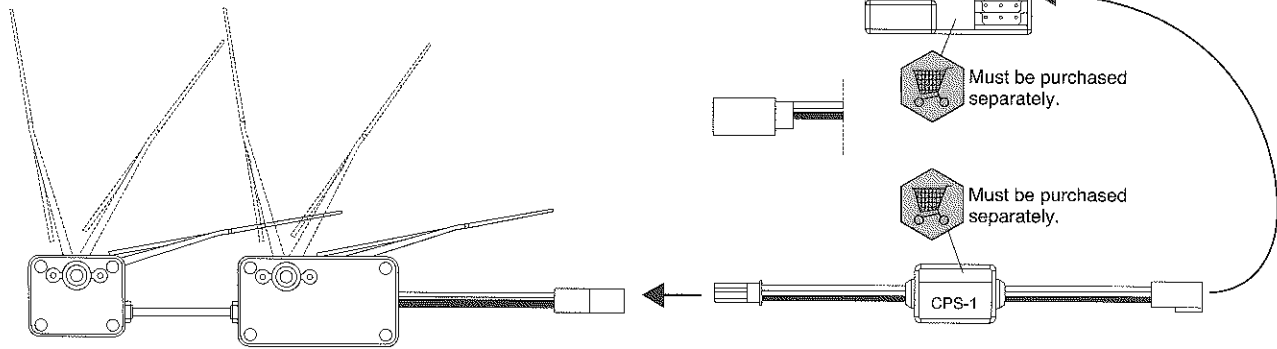


Receiver  
3-Channel Servo

Must be purchased  
separately.

Must be purchased  
separately.

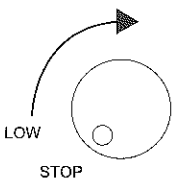
BEC connector



# ES-01

3-Channel adjustable Servo

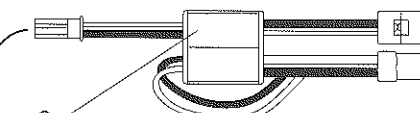
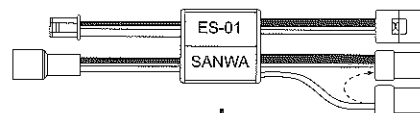
HIGH



LOW  
STOP

Transmitter  
3-Channel  
adjustable Servo

BEC speed controller



Must be purchased  
separately.

Receiver  
3-Channel Servo

