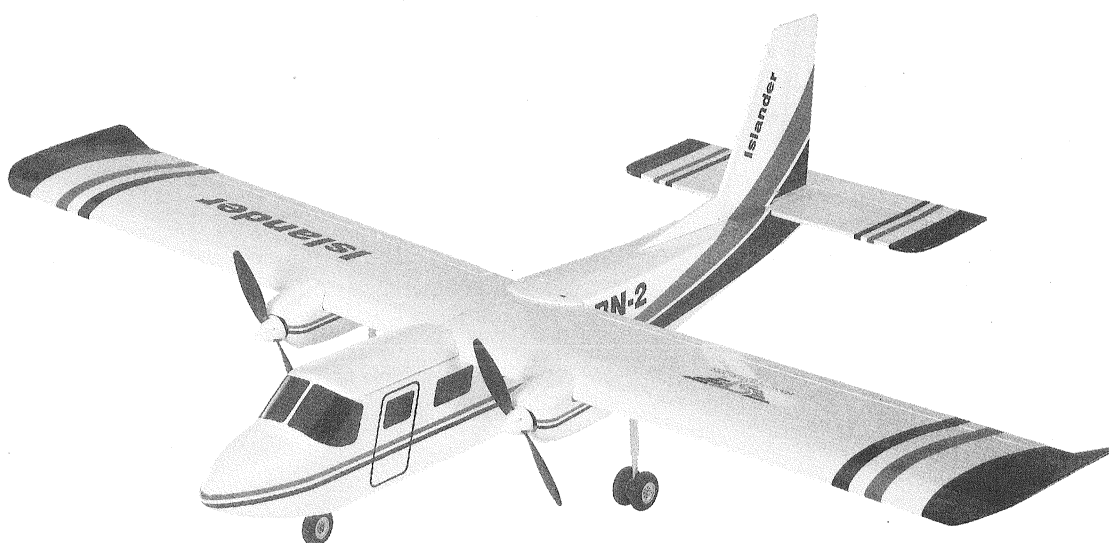




SUPER FLYING MODEL
MANUFACTURE

ISLANDER



No. EP-42 組裝說明書

規格 / SPECIFICATIONS

翼展 / WING SPAN: 1500 mm (59 in)

翼面積 / WING AREA: 33.6 dm² (520-5/6 sq.in)

全長 / LENGTH: 1116 mm (44 in)

重量 / WEIGHT: 1550g (49-5/6 oz)

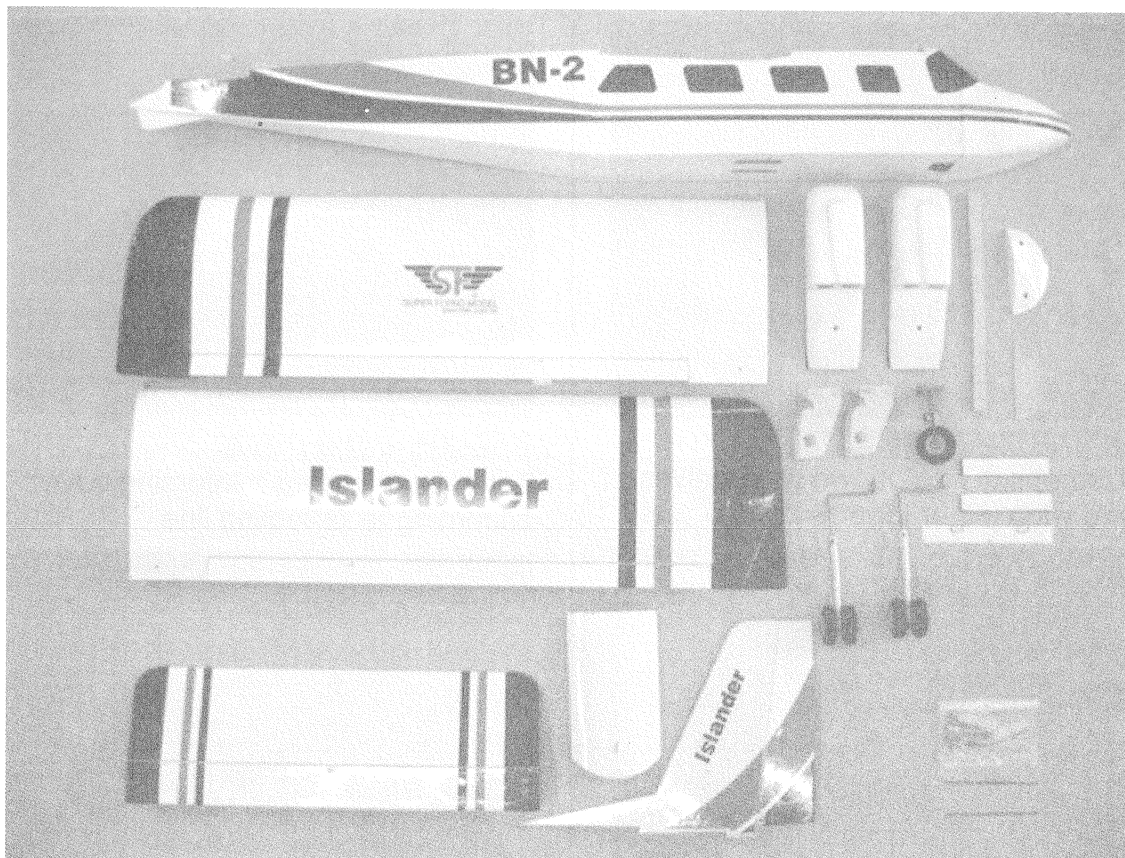
遙控器 / RADIO: 4 Ch

電池 / BATTERY: 11.1V 1500mAh

馬達 / MOTOR: 1300KV BRUSHLESS (#2200-9-1300)

電變 / ESC: 30A (#2421)

INSTRUCTION MANUAL



The whole accessories including in this kit.

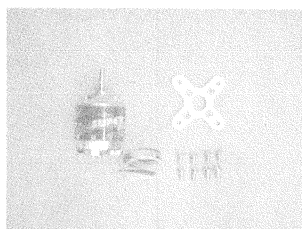
Recommended radio and electronic equipment (Not included in kit):

- 4 Channels radio
- Li-Po 1500mAh 3-cell battery pack
- Micro servo 9g x 4 piece
- 1300KV brushless motor x 2 piece
- 30A brushless speed control x 2 piece

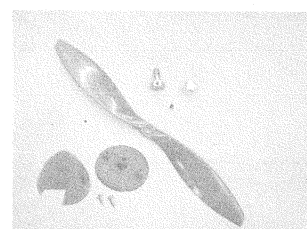
Optional accessories



#2421 30A brushless Speed Control



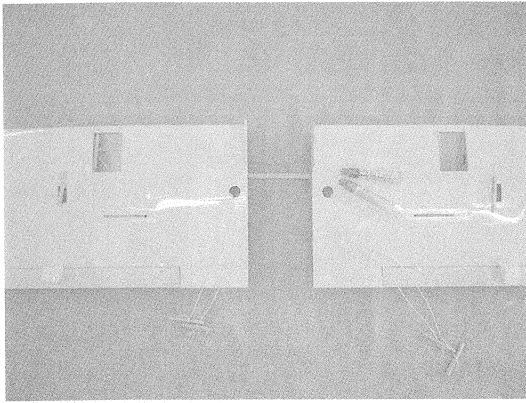
#2200-9-1300 1300KV 9-pole brushless motor



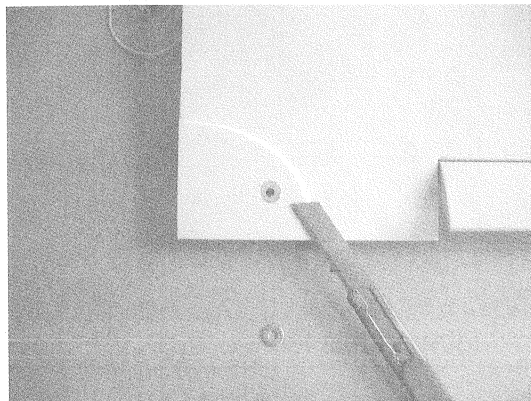
#1003C-8x4 propeller with alu. nut and spinner

Required Tools

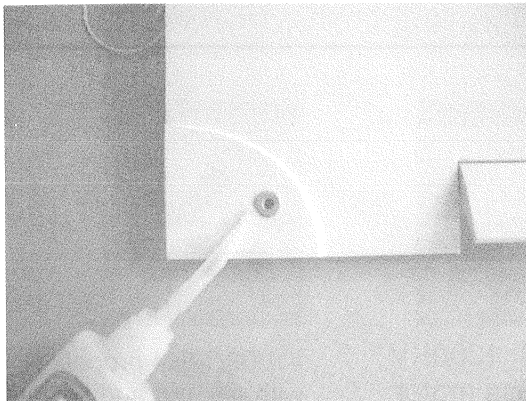
- Z bender
- Hobby knife
- Philips driver
- Needle-nose pliers
- 1.5mm Hex wrench
- Pencil
- Epoxy
- Curved.scissors
- 2.0mm reamer
- Instant glue



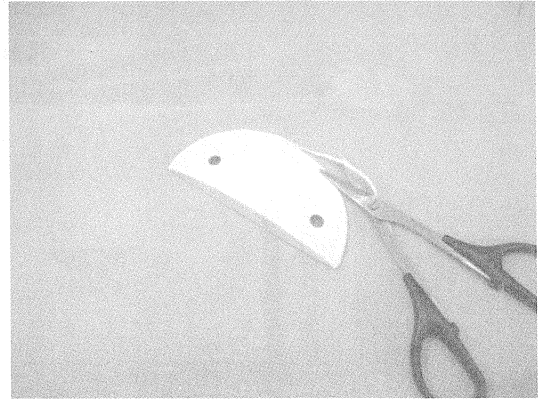
使用AB膠將主翼黏合。
Use epoxy to glue two wing halves
and wing joiner together.



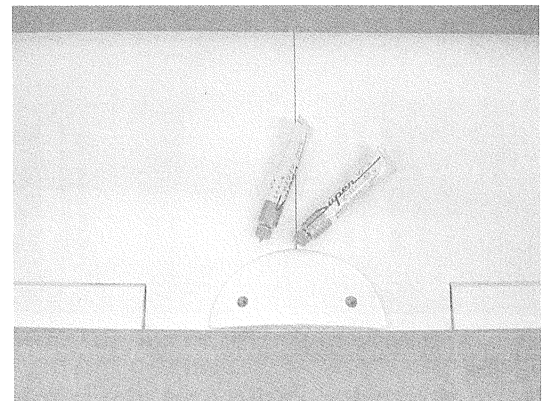
剔除記號處包覆紙。
Use hobby knife to cut off the covering
inside the marking area.



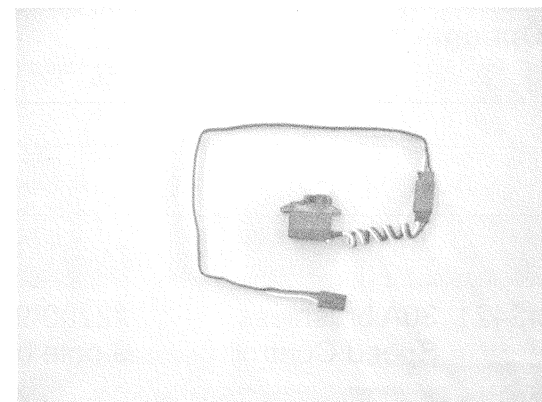
用瞬間膠將 $\Phi 8$ 墊片黏於主翼固定補強
板上。
Apply some instant glue one the $\Phi 8$
washers and secure them on the
wing-reinforcing plank.



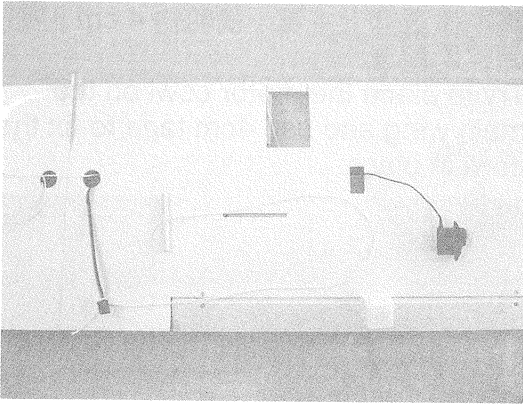
沿線修剪主翼固定板蓋。
Trimming the wing-reinforcing cover
according to its tooling line.



使用AB膠黏合主翼固定板蓋。
Apply some epoxy on the wing-
reinforcing cover and secure it on the
top of the main wing.

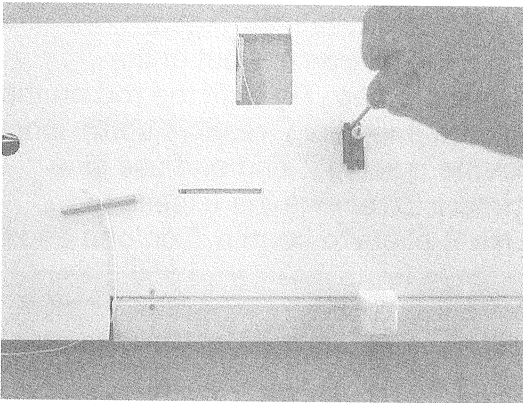


將主翼伺服機線加長。(9克伺服機)
Try to extend the main wing servo.
(9g servo)



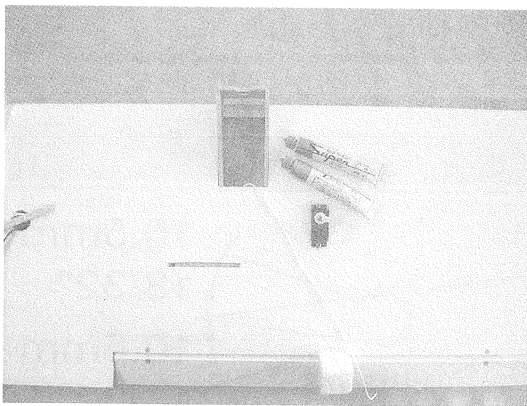
使用伺服機座預留之引線引導伺服機線穿於主翼內。

There is a guiding string preserving inside the main wing. Connect the string with the servo cable and pull the cable through the main wing.



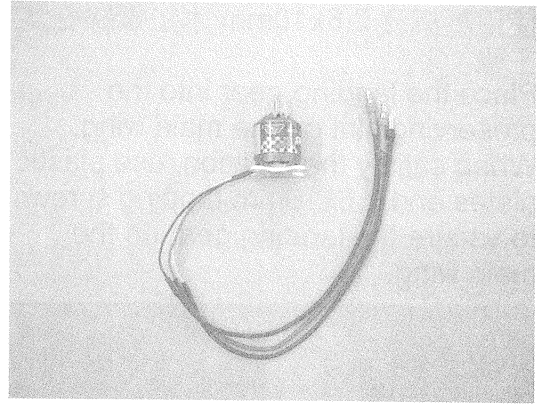
安裝伺服機。

Install the 9g-servo on the main wing.



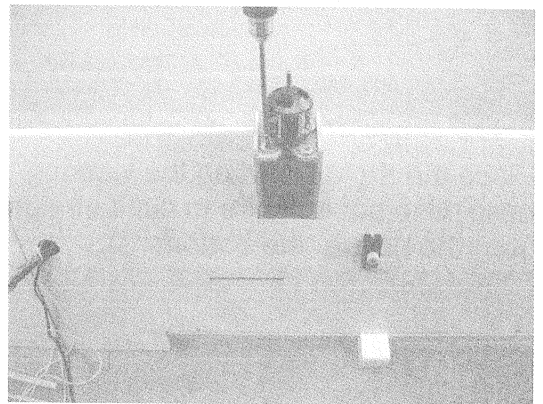
使用AB膠黏合馬達座。

Try to fit the motor mount inside the preserving motor hole on the main wing and use epoxy to secure the motor mount in place.



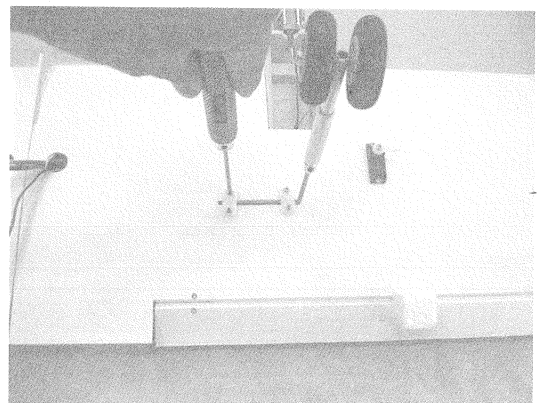
安裝十字鋁座於馬達上,並將無刷馬達導線加長22cm.

Assemble the aluminum cross stand on the motor and extend the motor cable to 22cm.



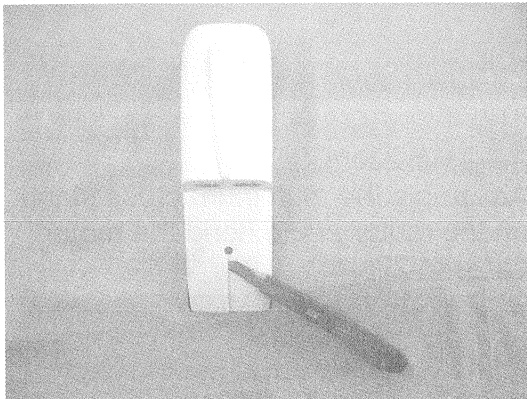
使用無刷馬達座預留之引線引導馬達導線穿於主翼內,並用 2.6 x 10mm 木工螺絲固定馬達。

Try to find the preserving guiding string inside the main wing. Connect the string with the motor cable and pull the cable through the main wing. Secure the motor with 2.6 x 10mm tapping screws.

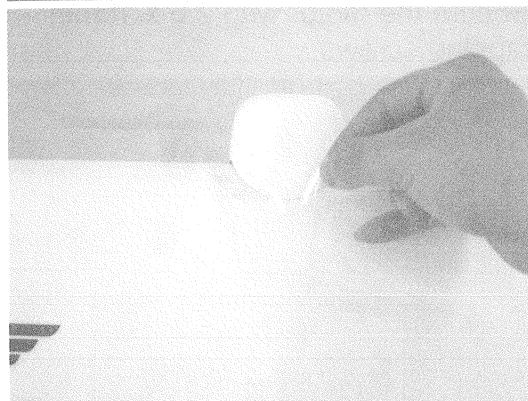
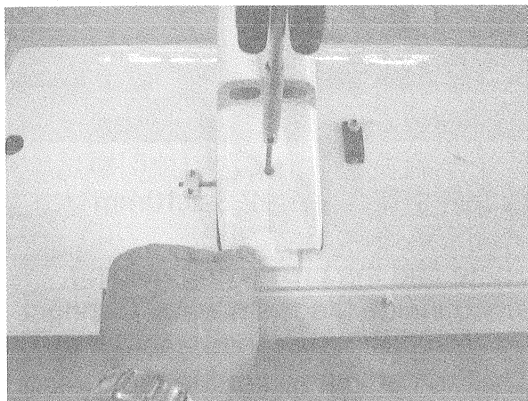


使用壓板及 2.6x10mm 木工螺絲安裝主輪。

Place the landing gear into the preserving slot on the main wing. When satisfy the location, use plastic plates and 2.6x10mm tapping screws to secure the landing gear on the main wing.

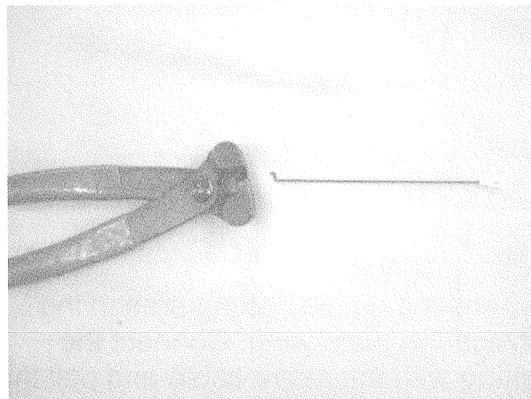


從圓孔位置延中線切開馬達罩。
Place the motor cowl on the working table. Use hobby knife to cut it straight from the hole to the bottom.



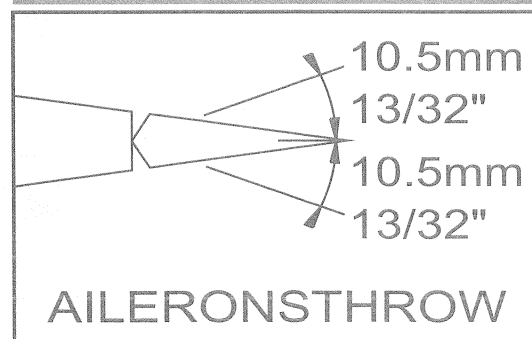
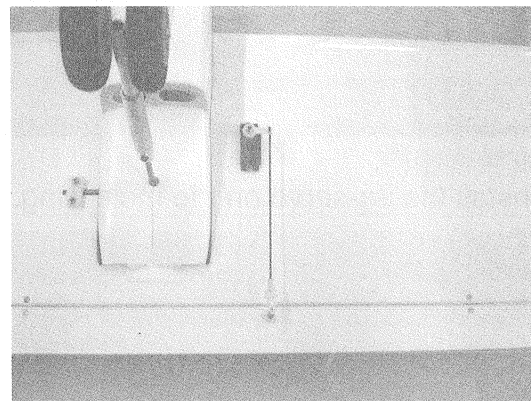
將馬達罩套上主翼，裁剪約 4 cm 貼紙固定馬達罩。

Try to place the motor cowl on the main wing and use 4cm tape to fix the cowl in place.



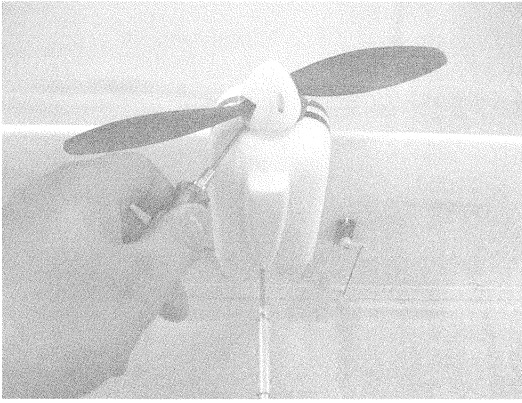
將副翼連桿裁剪至適當長度，單邊用 Z 字鉗作 Z 字。

Take the aileron rod out of the hardware bag. Try to fit the rod on the aileron and servo, reserve some length for the making Z end and use side cutters to remove the excess rod. Use Z-pliers to bend a Z on one end.



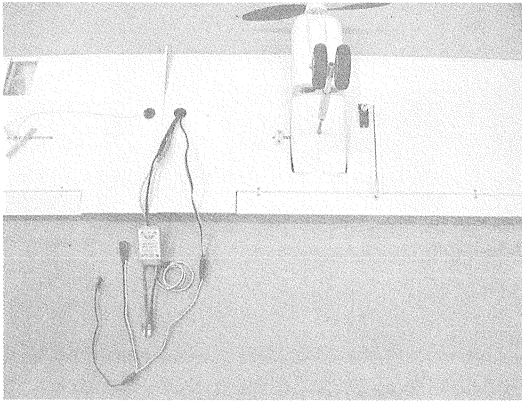
安裝副翼連桿。

Assemble the aileron rod on the servo.



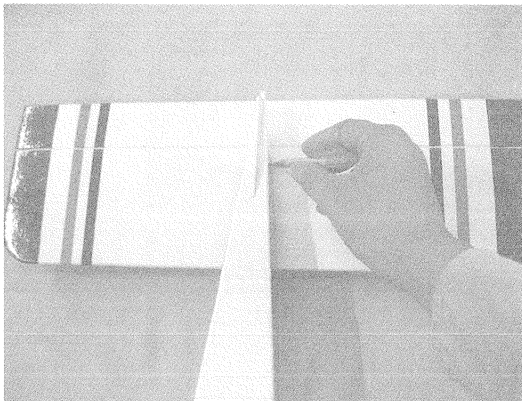
安裝螺旋槳, 使用1.5mm 六角扳手栓緊螺旋槳座上的螺絲。

Assemble the propeller with spinner on the motor. Use 1.5mm hex wrench to secure the screws on the propeller mount.



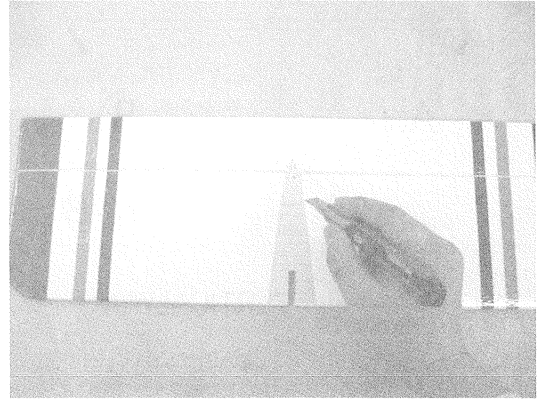
將馬達導線接上電變, 伺服機導線接上Y型線。

Connect the motor cable with speed control and connect the servo cable with Y cable.



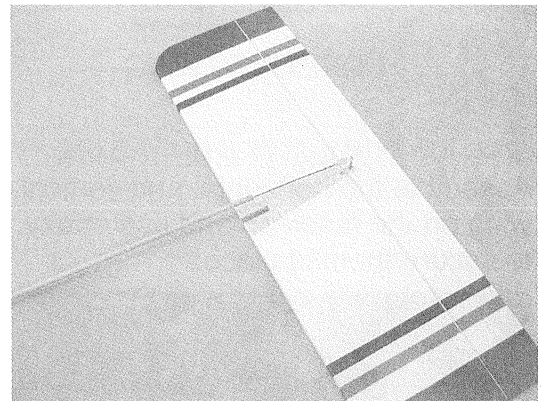
將機身和水平翼假組合, 並於水平翼做記號。

Try to fit the horizontal wing on the fuselage. When satisfy the location, use pencil to mark the contacting area on the horizontal wing.



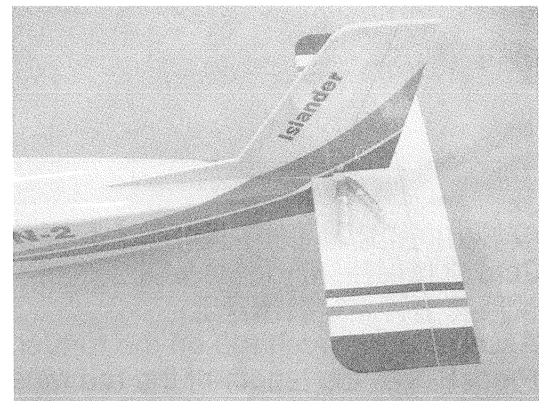
剔除記號處包覆紙。

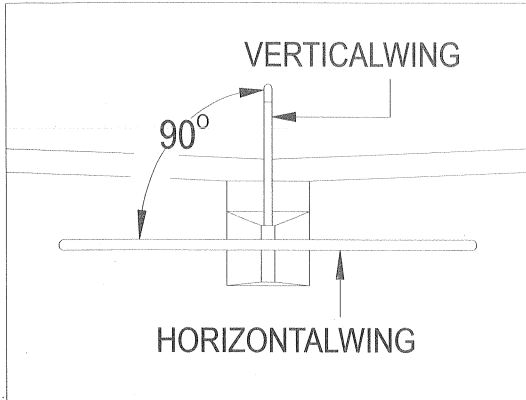
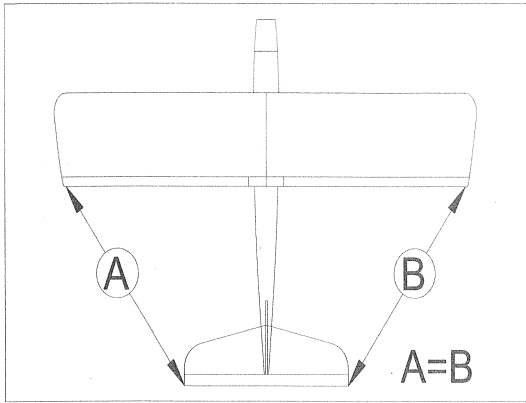
Use hobby knife to cut off the covering inside the marking area.



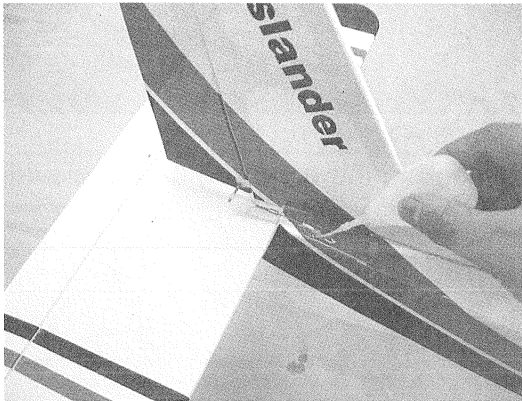
先安裝升降推桿以方便作業。

Assemble the push rod on the elevator.

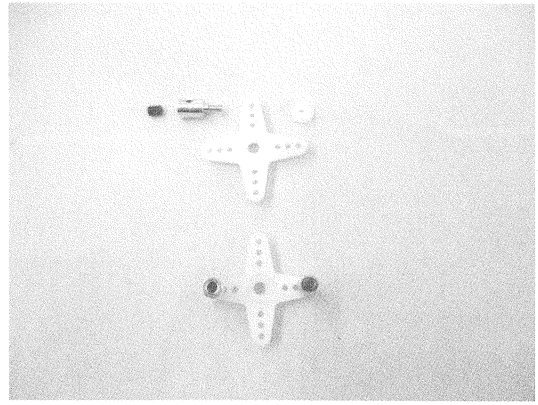




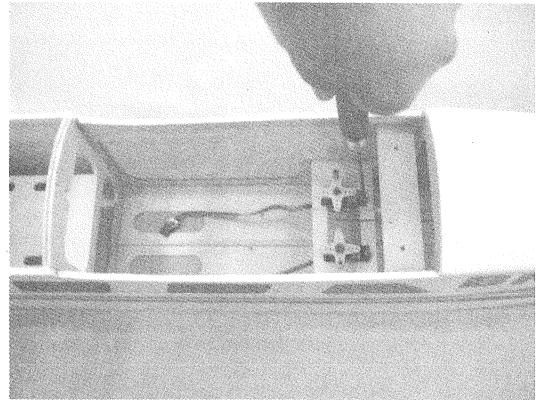
安裝水平翼與垂直翼並使用AB膠黏合。
Assemble the horizontal and vertical wing on the fuselage and use epoxy to secure them in place.



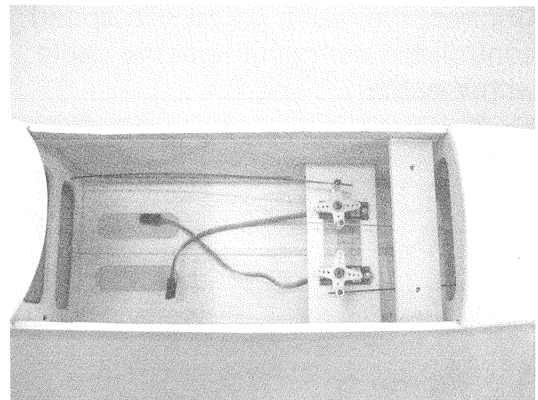
安裝方向舵連桿 (連桿長度須比套管多2cm 之以保持動作正常) 安裝完成用瞬間膠將套管固定於機身上。
Assemble the push rod on the rudder. Please note the length of the rod must be 2cm longer than the PVC tube for keeping the operating smoothly. Use instant glue to secure the tube on the fuselage.

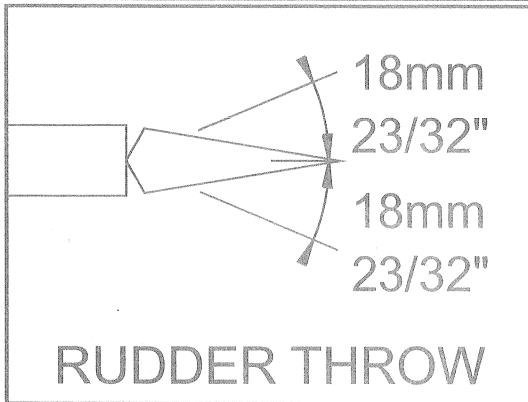
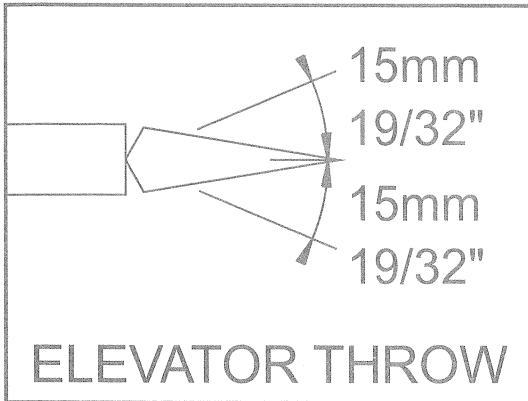


伺服機舵片上鑽出 2mm 之孔, 安裝可調連桿頭。
Drill one 2mm hole on the servo arm and assemble the adjustable rod stand on it.

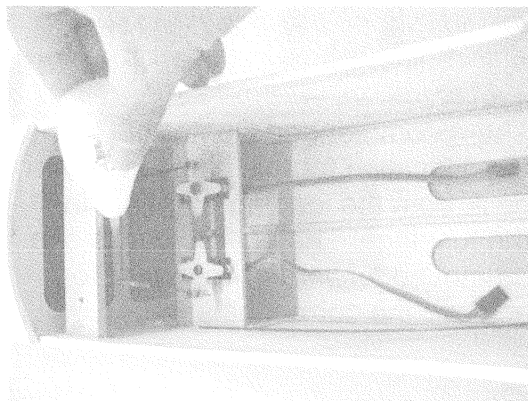


安裝升降及方向伺服機。
Install the rudder and elevator servos inside the fuselage.

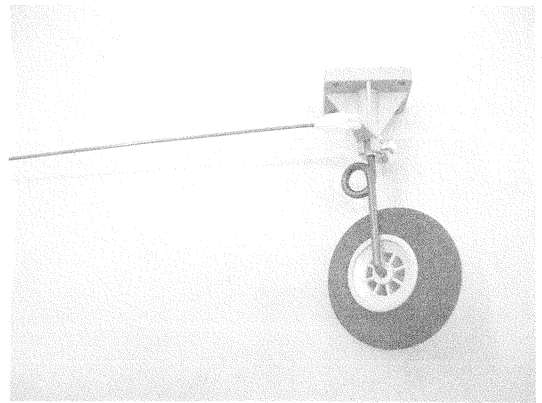




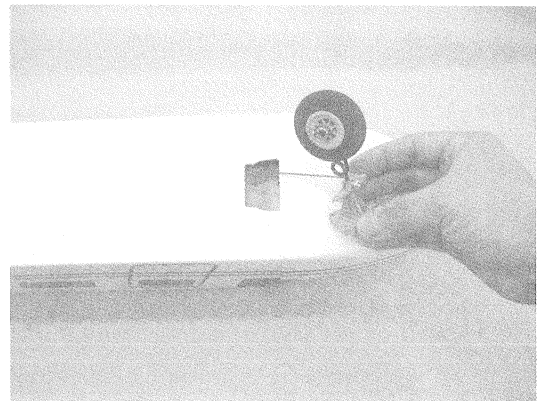
確認方向及升降位於中點後以 1.5mm 六角螺絲起子固定方向,升降連桿。
 Try to adjust the servos on the neutral position and use 1.5mm hex wrench to secure the rudder and elevator rods.



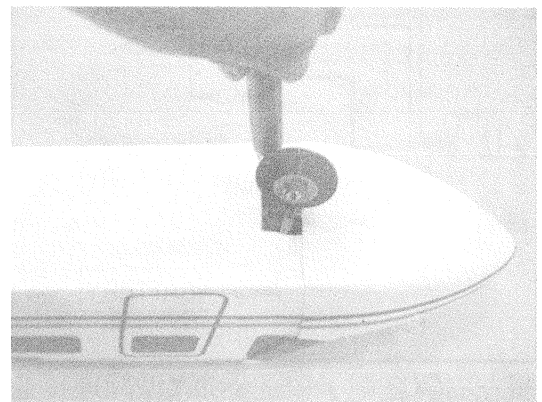
將方向連桿套管拉緊用瞬間膠固定於隔板。
 Pull the plastic white tube (for the rudder rod) tight and use instant glue to fix it on the plank.



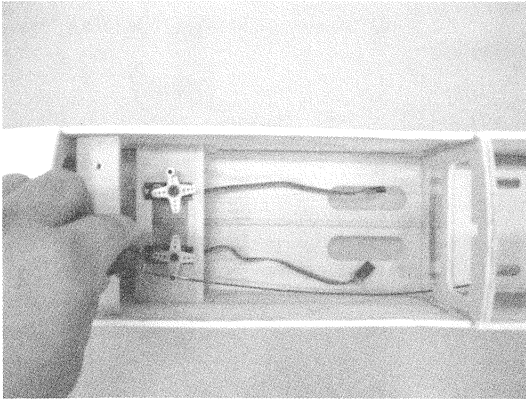
將鼻輪連桿安裝於鼻輪。
 Assemble the nose gear rod with the nose gear.



用 2.6x10mm 木工螺絲安裝鼻輪。
 Use 2.6x10mm tapping screws to secure the nose gear set on the fuselage.



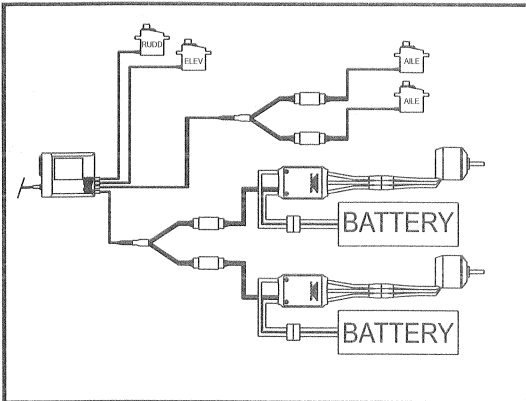
確認鼻輪於中點,將鼻輪連桿安裝於方向伺服機。
 Set the nose gear on its neutral position and connect the nose-gear rod on the rudder servo.



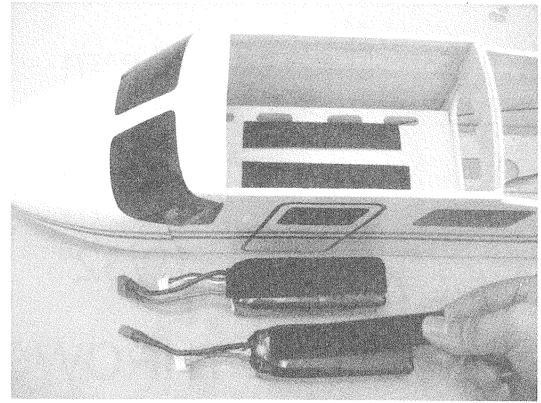
安裝電池蓋。
Install the battery cover on the top of the fuselage.



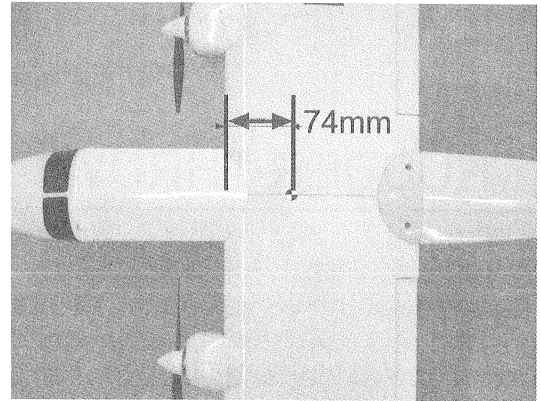
用 M3x 40 mm 螺絲固定主翼。
Secure the main wing on the fuselage by M3x40mm screws.



將左右翼之電子變速器以Y型線連接並接到接收機之油門。
Plug a Y-harness into the receiver.
Refer to the cable connection diagram.



取背膠黏扣帶, 一編黏於機身內的電池固定板上, 另一邊黏在電池上。
Use a piece of hook and loop strap between the battery and battery tray to keep it from sliding on the tray.



重心點位置自主翼前緣算起74mm處, 可將電池往前後移動以達到正確的重心位置。

The recommended Center of Gravity (CG) location for this plane is 74mm back from the leading edge against the fuselage. The battery packs can be moved forward or rearward to achieve the correct balance.



SUPER FLYING MODEL
MANUFACTURE

MTH HOBBY PRODUCTS INDUSTRIAL CO., LTD.
www.mth.com.tw mthhobby@mth.com.tw
© MTH HOBBY 2009