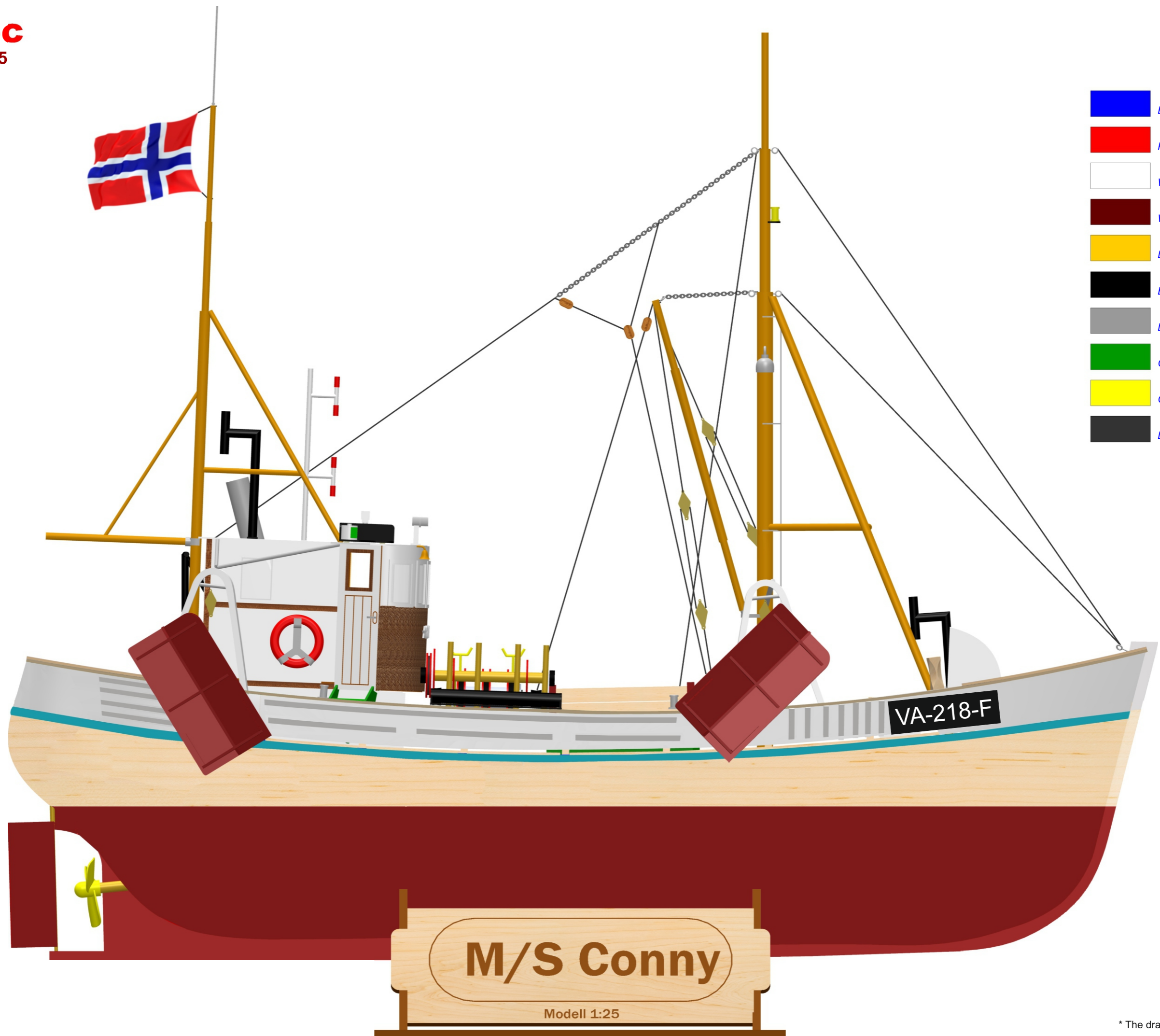


modell-tec
M/S CONNY 1/25



-  BLUE
-  RED
-  WHITE
-  WINE
-  DARK YELLOW
-  BLACK
-  LIGHT GREY
-  GREEN
-  GOLD
-  DARK GREY

M/S Conny

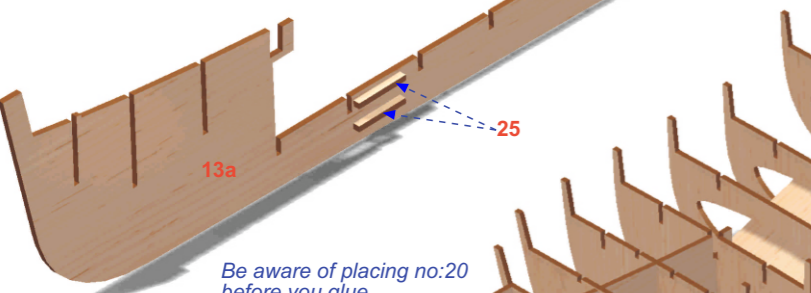
Modell 1:25

* The drawing is 1/2 scale of the model.

R/C hardware parts are not included kit. You have to buy them apart. If you build the model as R/C, you should place R/C parts suitable areas to reach easily to swap them anytime. Ensure every mechanic and digital parts working properly before close the deck. This drawing is just to give an idea where to place R/C parts. You can personalize placing due to your needs.

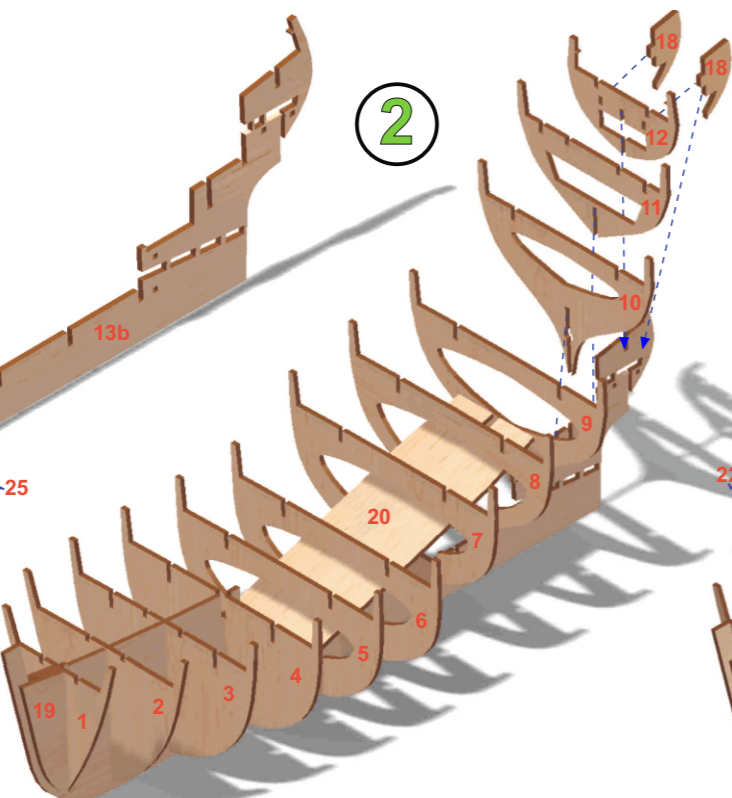
1

Attach and glue two parts-keel on a flat surface. Leave it to dry as putting weight on it.

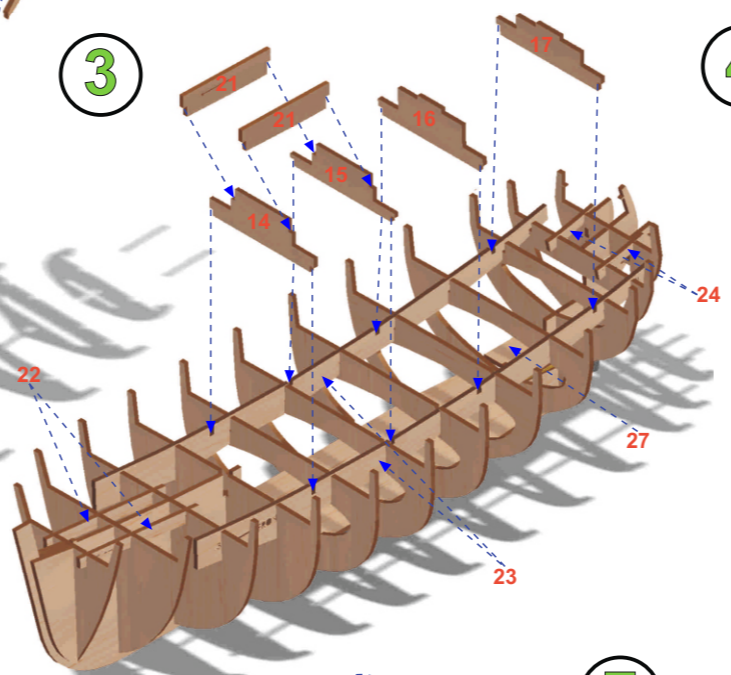


Be aware of placing no:20 before you glue no:6-7-8-9 frames.

2



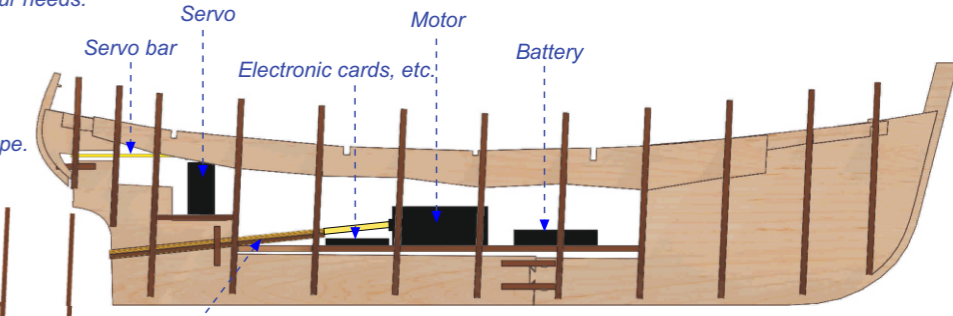
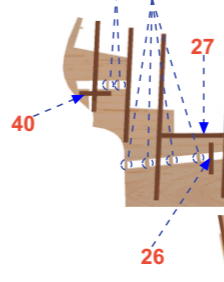
3



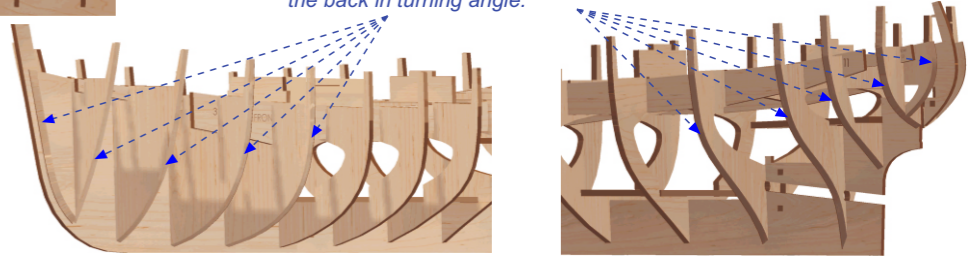
Ensure no:14-15-16-17-21 fit in the gap at the deck before you glue.

4

Cut off the supports for propellar shaft pipe.

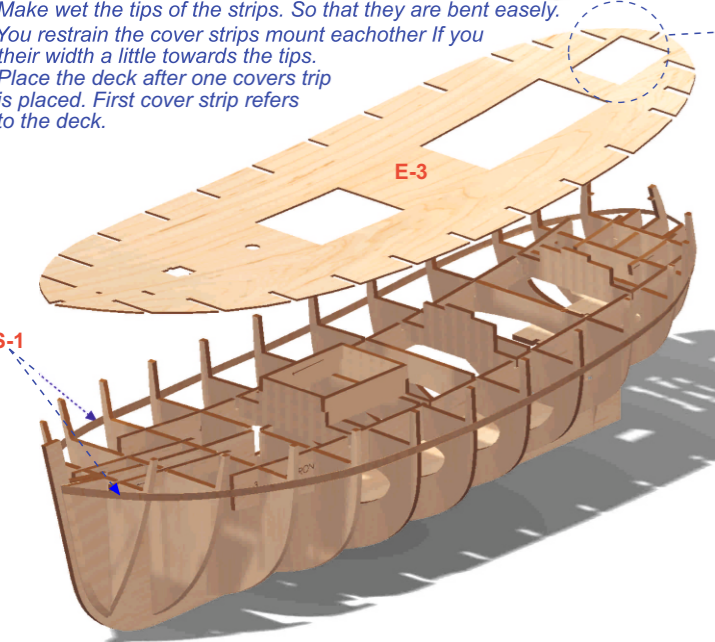


Sand the edges of the frames on cover strips turning at the front and the back in turning angle.



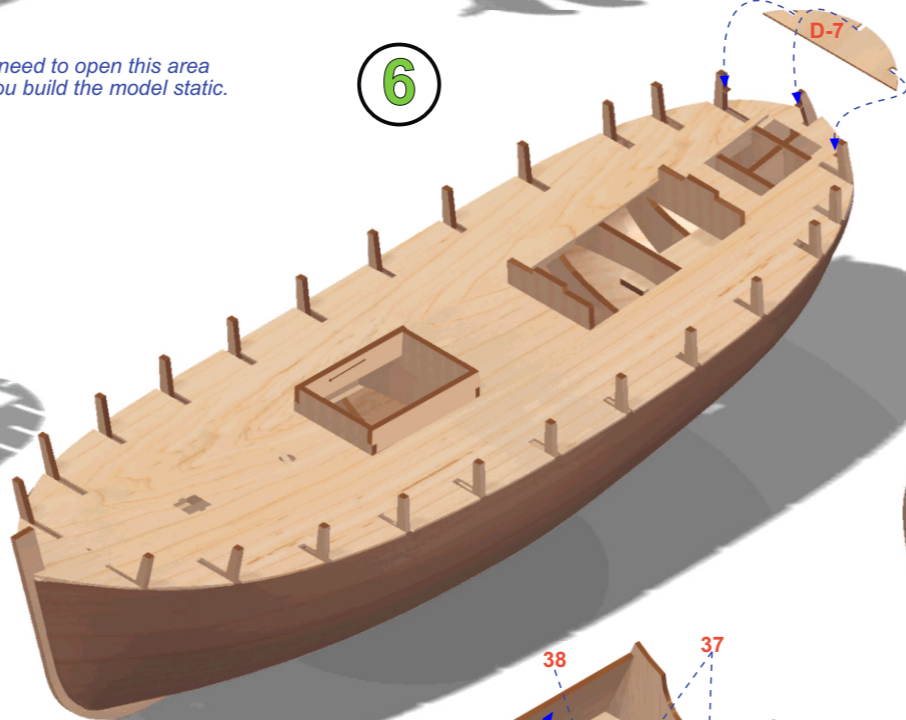
5

Start to cover at the level that is shown at the picture. Make wet the tips of the strips. So that they are bent easily. You restrain the cover strips mount eachother if you their width a little towards the tips. Place the deck after one covers trip is placed. First cover strip refers to the deck.



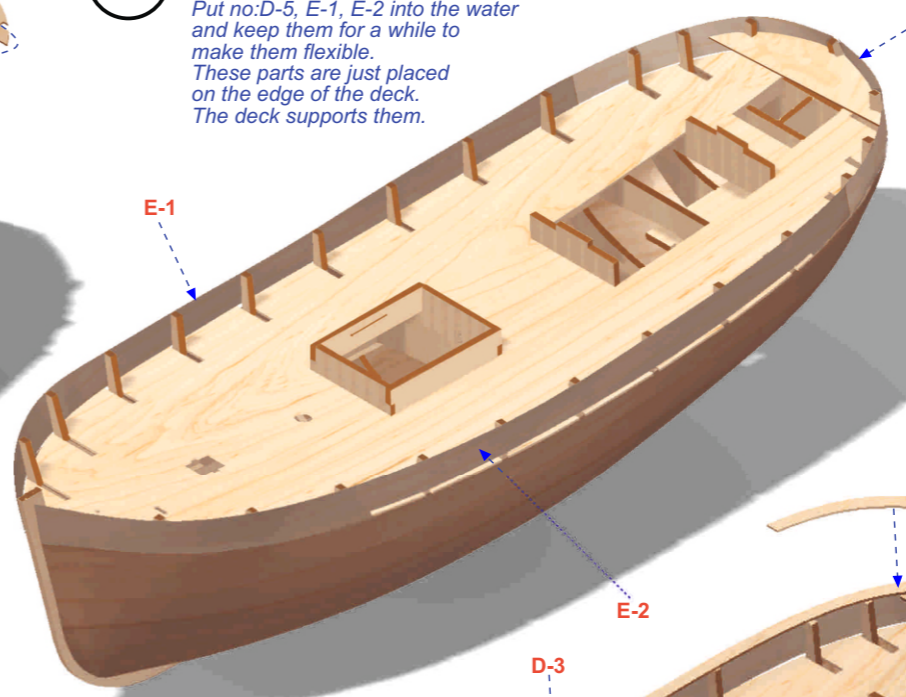
No need to open this area if you build the model static.

6



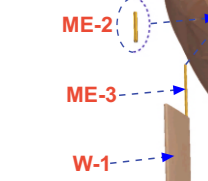
7

Put no:D-5, E-1, E-2 into the water and keep them for a while to make them flexible. These parts are just placed on the edge of the deck. The deck supports them.



8

Slide it through the hole and glue in its house.



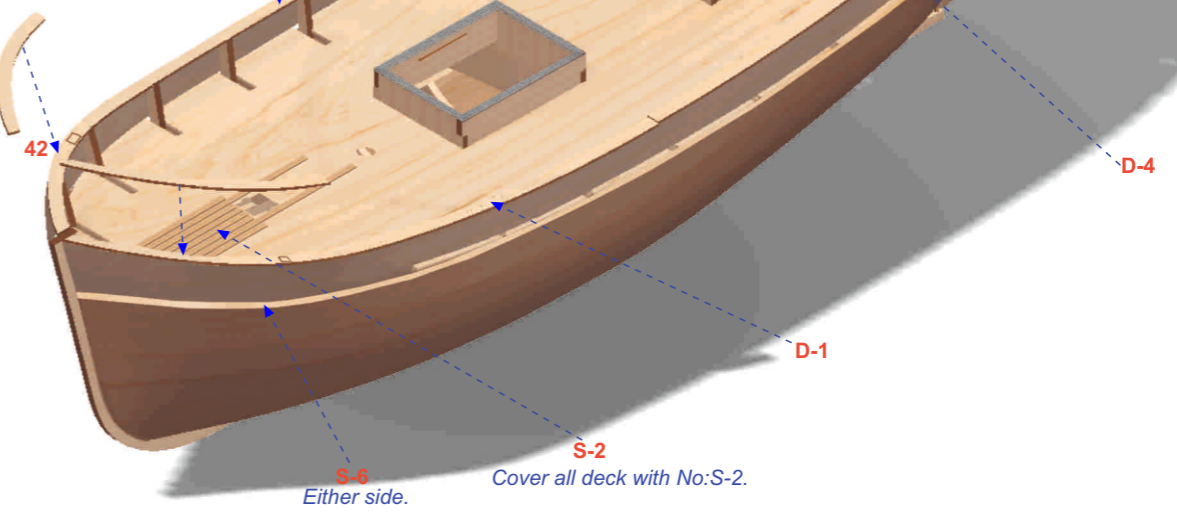
Leave out bottom tip of No:ME-2 little through No:W-1 to provide the rudder mechanism turns easy.

Drill a hole halfway through No:S-4 to place rudder bar.



Shape No:S-4 towards front to make suit the keel shape.

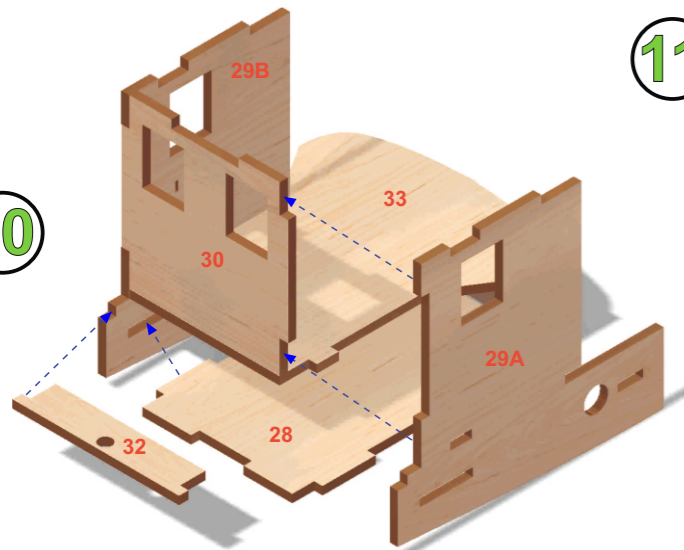
9



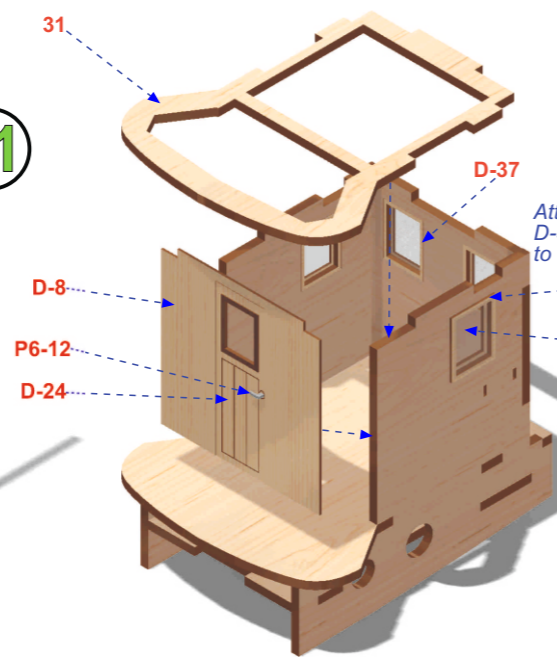
Cover all deck with No:S-2.

Either side.

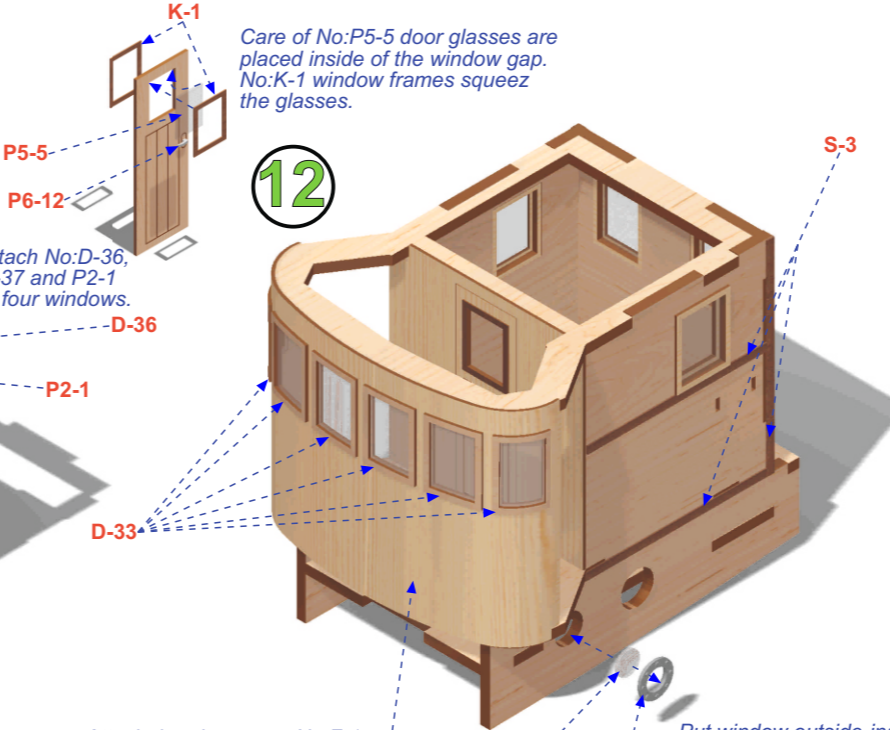
10



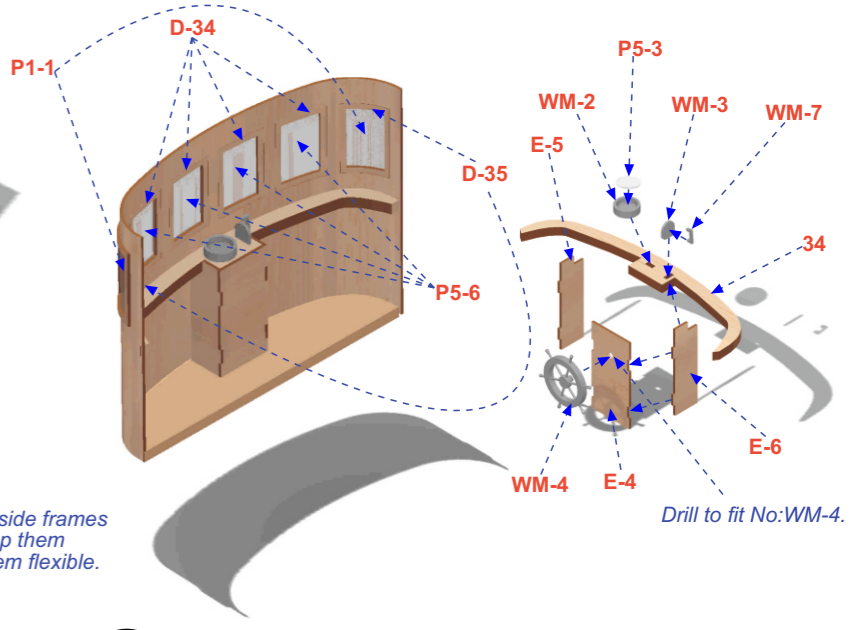
11



12



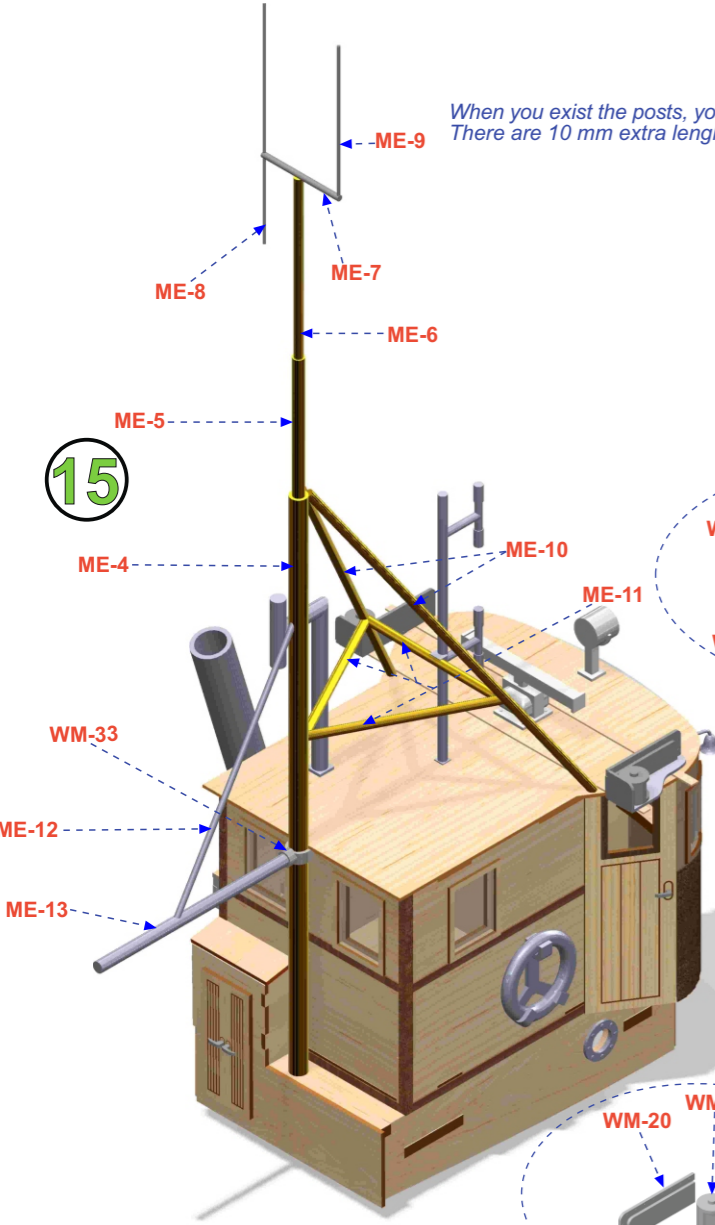
13



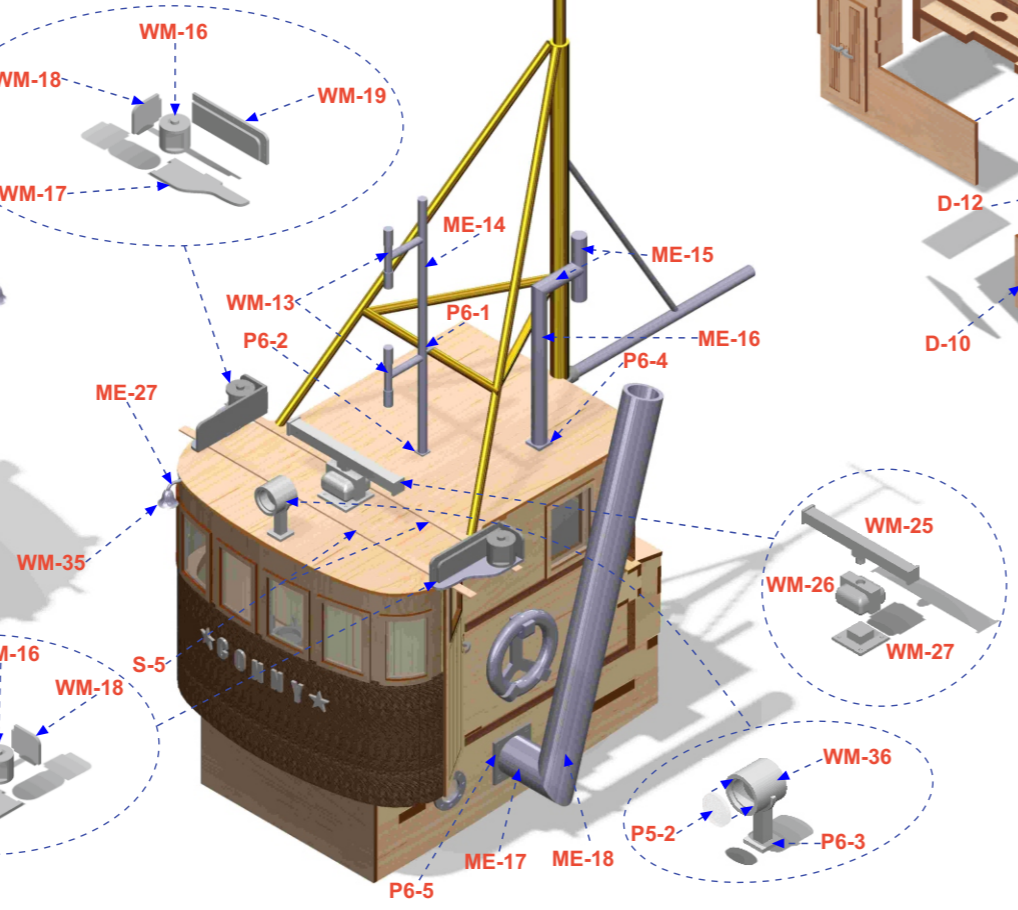
ATTENTION!
Refer the profile and bird-eye plans for the parts which need to be measured to place. The drawing in these plans is 1/2 scale of the model. You have duplicate the measurement of the part or distance.

Care of No:P5-5 door glasses are placed inside of the window gap. No:K-1 window frames squeeze the glasses.
Attach the glasses on No:F-1 after installation its place.
Put window outside-inside frames into the water and keep them for a while to make them flexible.

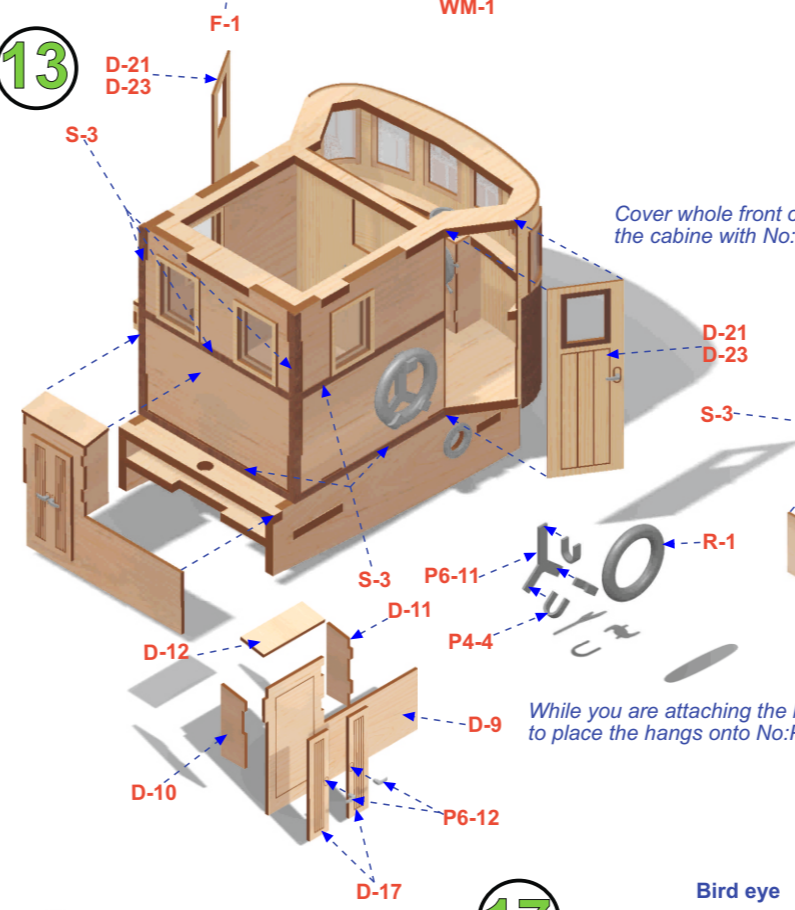
15



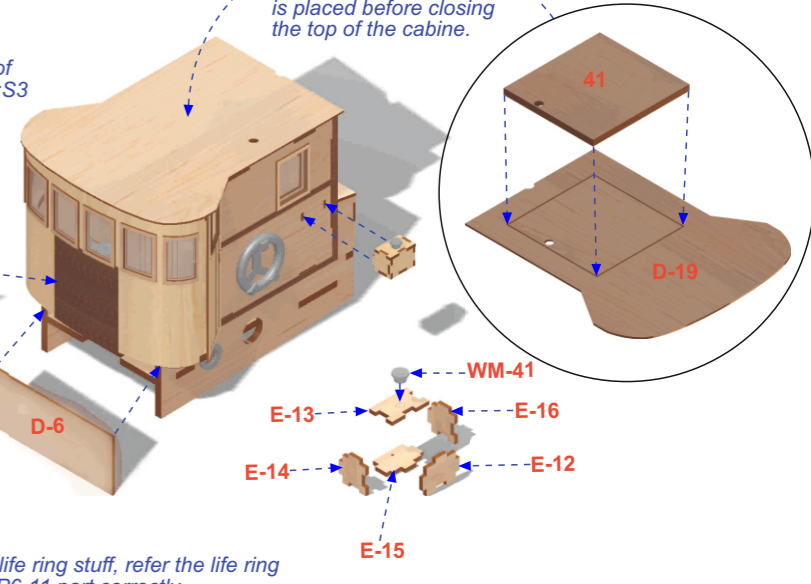
16



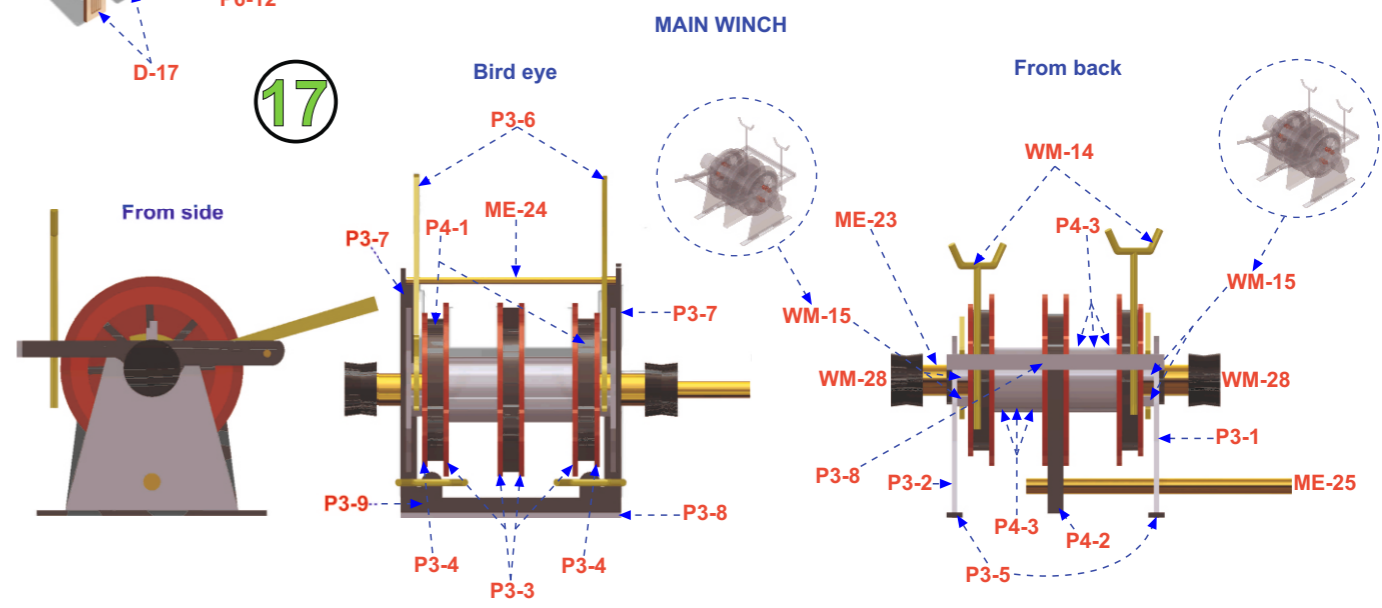
13



14



17



When you exist the posts, you slide the thinner post through the larger 10 mm inside. There are 10 mm extra lenght for the bars those goes through another pipe.

Cover whole front of the cabine with No:S3

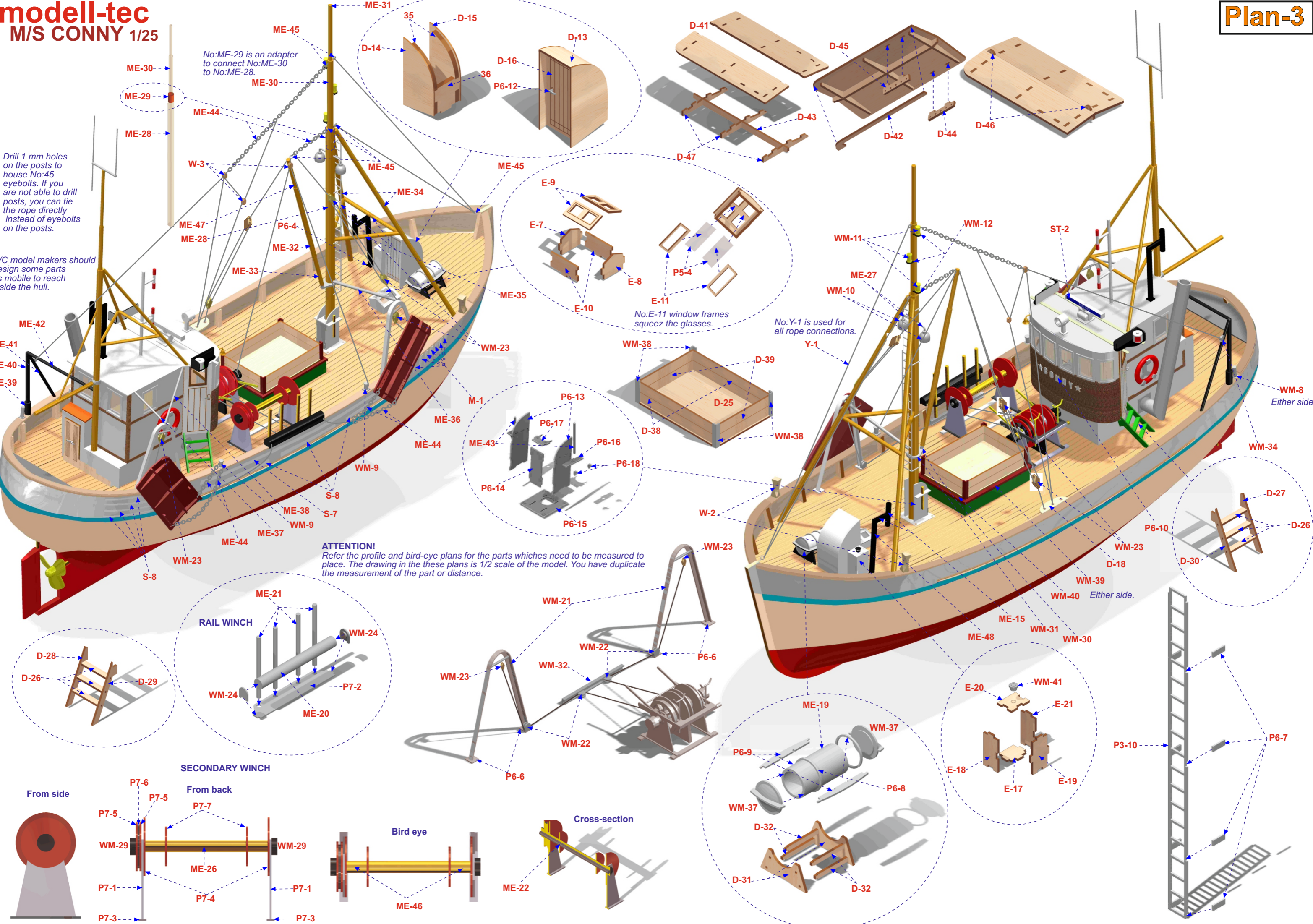
Ensure of everything is placed before closing the top of the cabine.

While you are attaching the life ring stuff, refer the life ring to place the hangs onto No:P6-11 part correctly.

modell-tec M/S CONNY 1/25

Drill 1 mm holes on the posts to house No:45 eyebolts. If you are not able to drill posts, you can tie the rope directly instead of eyebolts on the posts.

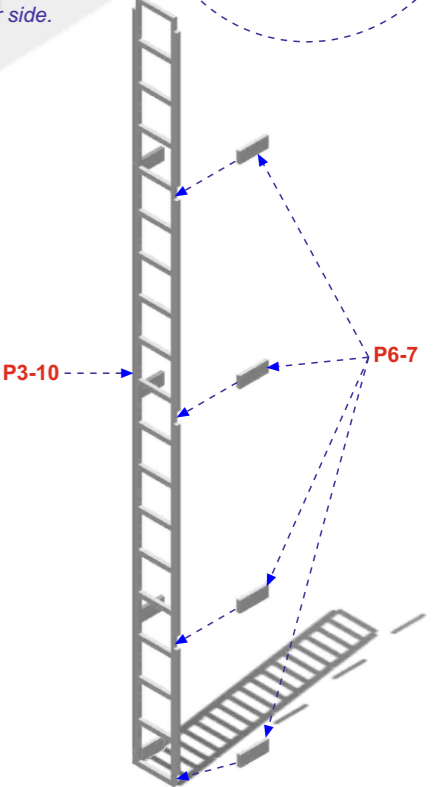
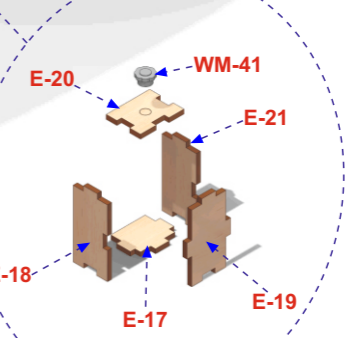
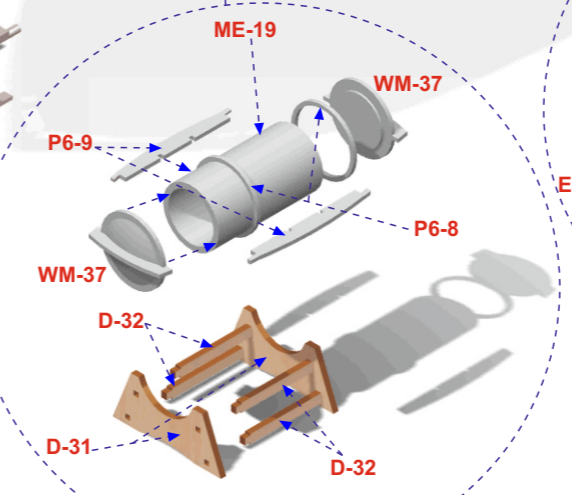
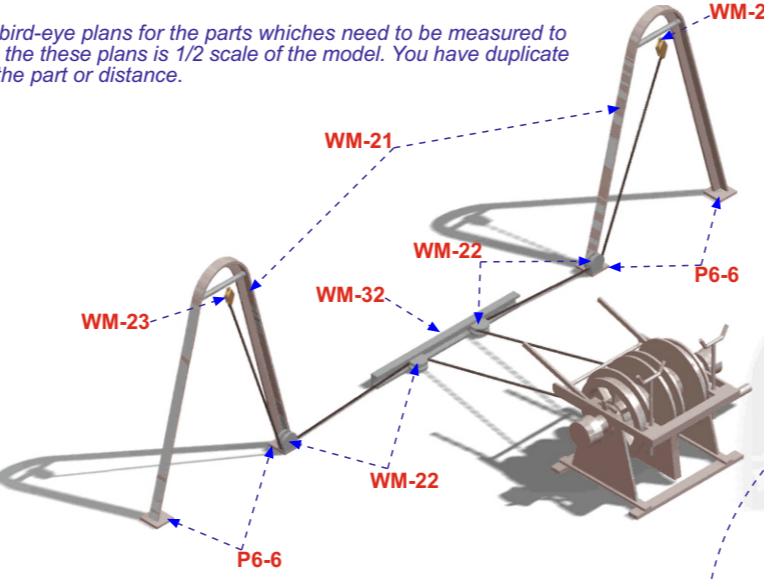
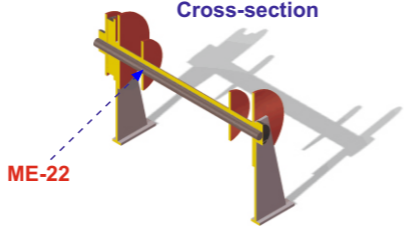
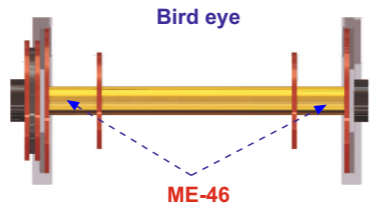
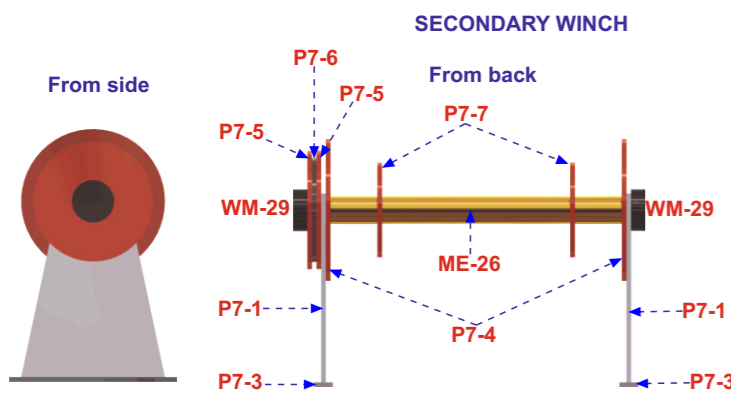
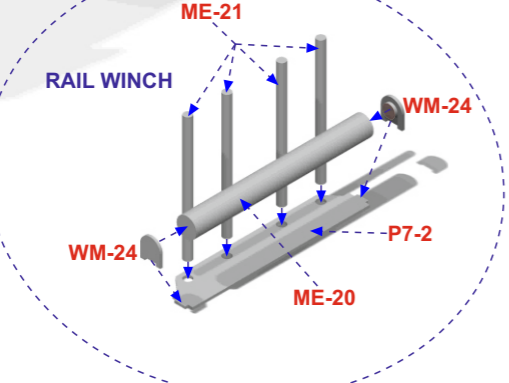
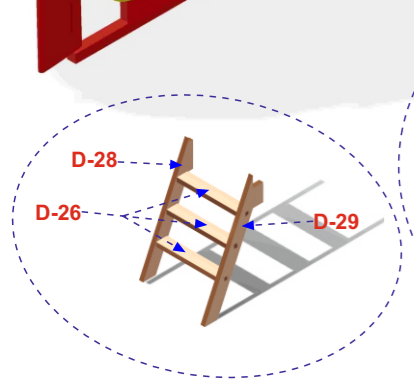
R/C model makers should design some parts as mobile to reach inside the hull.



No:ME-29 is an adapter to connect No:ME-30 to No:ME-28.

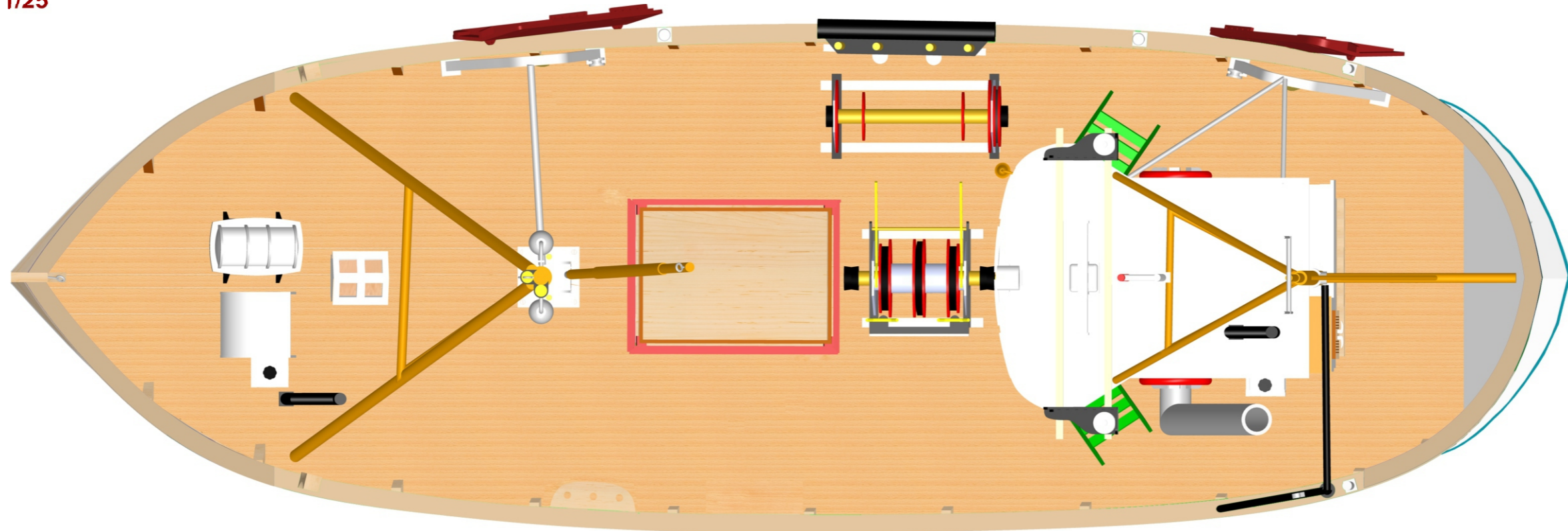
No:E-11 window frames squeeze the glasses.
No:Y-1 is used for all rope connections.

ATTENTION!
Refer the profile and bird-eye plans for the parts which need to be measured to place. The drawing in these plans is 1/2 scale of the model. You have duplicate the measurement of the part or distance.



Either side.

Either side.



*Tegningen er i 1/2 skala av modellen.

modell-tec
M/S CONNY 1/25
Motor og RC installasjon.

Dette er tilleggsutstyr og ikke inkludert i byggesettet. Ønskes dette, kan vi levere det som trengs.

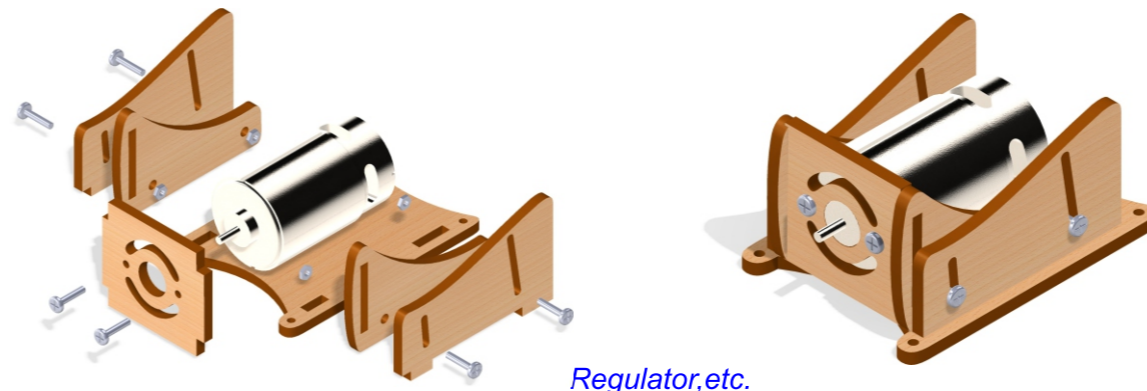
Motoren er en 500 - 600 elektromotor montert i motorholder. Rorstammen kobles til servoen på servo brettet (27). RC-mottager, fartsregulator og akku monteres i motorrommet, alt etter plass og størrelse på utstyret. Det er en fordel om RC-mottageren kommer så høyt i båten som mulig. Gjerne i styrehuset eller under dekket. Påse ved plassering av akku, utstyr og ballast at båten får en riktig balanse som passer til båten vannlinje.

Skal båten brukes på vann anbefales det og lim-slå skroget utvendig med Epoxy før lakkering og maling. Gjør propellhyslen vanntett ved å ha fett (grease) i den og på propellakslingen.

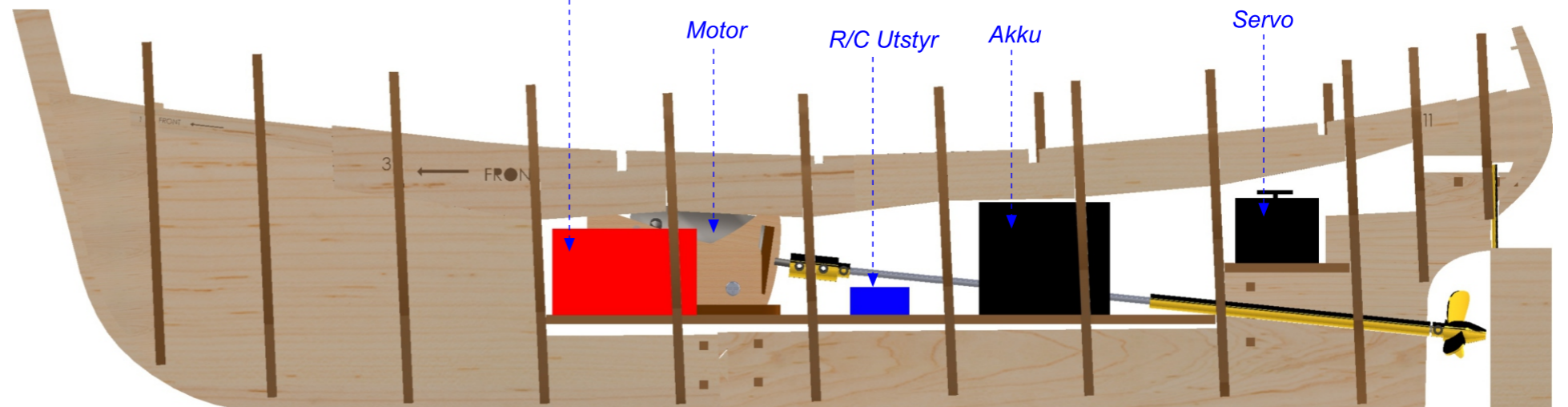
Maling og farger: Se bilde på eskelokk og beskrivelse på eskeside.

Lykke til med Conny!

ØGREY-HOBBY



Regulator, etc.



Tegning-R/C

* Motor og RC utstyr er ikke inkludert i settet.

ASISTANT GUIDE

- ❖ Please read the instructions carefully before you start to build your model. Take notes if needed. So, you may find out the materials and the tools those you need.
- ❖ Use model knife to take out the parts the plywood sheets. Do not take them out with hand!
- ❖ Change of temperature effects on plywoods quickly. So that, do not release the plywoods. Keep them on a flat surface by putting weight on them.
- ❖ You may stick together the wooden parts easily if you sand the brown areas caused by laser with sand paper.
- ❖ You should use super glue and white glue to stick together the wooden parts and use the super glue for metal parts.
- ❖ Building the keel of your model, before stick the frames, be sure the frames properly seated on the keel. Otherwise you can't build the body of the model rightly. Exactly be sure that left and right side of the frames are compatible and symmetrical.
- ❖ After building the keel of your model, before the covering, you should test the frame edges by a cover strip. You should sand with a piece of sandpaper the frame edges at the right degree to touch the strips on to the surface exactly. The curves are mostly the front and back side of the body.
- ❖ You should keep the strip tips in the bowl filled with water approximately one hour. So that you may curve the strips on the curves easily these are mostly at the end and the front of the hull.
- ❖ You should cover the strip starting from the top for each side symmetrically.
- ❖ You should cut the upper side of the strip when overlap occurs especially at the front curve of the body.
- ❖ To make equal the surface of the body that caused by planking, you should sand with a piece of sandpaper (Firstly you should use thick sandpaper, then you can apply thin sandpaper), . You should fill the gaps after this processing. You may use leftover strips for wide gaps and model putty for small gaps.
- ❖ If you don't want to appear wooden tissue of the body of your model body; first, apply filler undercoat then sand with a thin sandpaper to make it ready to apply putty. Apply putty whole body and sandpaper again. Apply one more coat filler undercoat and sandpaper. You should not use very thick sandpaper to sand the putty and filler undercoat. You should repeat this process until you get the results as you want. You should apply undercoat paint to find out if any mistake appears at the body. The body gets ready for painting after these applications. You may use model brushes for filler coating. In order to understand whether the materials (such paint, filler, undercoat, varnish, etc.) are compatible with each other, you should test on the unnecessary parts.
- ❖ Some of the model's logo, name or the number are produced from decal paper. You should keep them in a bowl filled with warm water for two or three minutes. You should apply them to their places while releasing from their paper. You may attach easily If you apply gloss varnish to the place before applying the decals. You may apply matt, gloss or satin varnish after this application preferably.
- ❖ You should keep your model away from direct sunlight, heat and moist to avoid deformation in the course of time.

CONNY 1/25 PART LIST

NO	QUANTITY	DESCRIPTION	SIZE	TYPE
1...12	12	Frames	4 mm	Plywood
13A-13B	2	Keel parts	4 mm	Plywood
14...17	4	Cabine fixers	4 mm	Plywood
18	2	Back blocks	4 mm	Plywood
19	2	Front blocks	4 mm	Plywood
20	1	R/C parts main table	4 mm	Plywood
21	2	Cabine fixers	4 mm	Plywood
22	2	Frame fixers-front	4 mm	Plywood
23	2	Frame fixers-main	4 mm	Plywood
24	2	Frame fixers-back	4 mm	Plywood
25	2	Main keel locks	4 mm	Plywood
26	1	Keel lock	4 mm	Plywood
27	1	R/C servo table	4 mm	Plywood
28...33	7	Cabine parts	4 mm	Plywood
34	1	Cockpit panel	4 mm	Plywood
35-36	3	Front cabine parts	4 mm	Plywood
37-38-39	5	Base parts	4 mm	Plywood
40	1	Keel lock	4 mm	Plywood
41	1	Cabine roof part	4 mm	Plywood
42-43	4	Rail upper parts	4 mm	Plywood
D1...D4	4	Rail parts	1,5 mm	Plywood
D5	1	Back panel	1,5 mm	Plywood
D6	1	Cabine front part	1,5 mm	Plywood
D7	1	Small back deck	1,5 mm	Plywood
D8	1	Cabine inside wall	1,5 mm	Plywood
D9...D12	4	Cabinet parts	1,5 mm	Plywood
D13...D16	4	Front cabine parts	1,5 mm	Plywood
D17	2	Cabinet doors	1,5 mm	Plywood
D18	1	Rope connection panel	1,5 mm	Plywood
D19	1	Roof part	1,5 mm	Plywood
D20...D23	4	Cabine outside door parts	1,5 mm	Plywood
D24	1	Cabine inside door	1,5 mm	Plywood
D25	1	Box bottom part	1,5 mm	Plywood
D26...D30	10	Cabine stair parts	1,5 mm	Plywood
D31-D32	6	Life boat base parts	1,5 mm	Plywood
D33	6	Cabine outside window frames	1,5 mm	Plywood
D34	4	Cabine inside window frames	1,5 mm	Plywood
D35	2	Cabine inside window frames for sideones	1,5 mm	Plywood
D36	4	Cabine back outside window frames	1,5 mm	Plywood
D37	4	Cabine back inside window frames	1,5 mm	Plywood
D38-D39	4	Box side parts	1,5 mm	Plywood
D41...D47	20	Lid parts	1,5 mm	Plywood
D48...D51	5	Drawer parts	1,5 mm	Plywood
D52...D54	4	Seat parts	1,5 mm	Plywood
D55...D59	6	Stove parts	1,5 mm	Plywood
D60...D63	6	Chair parts	1,5 mm	Plywood
E1-E2	2	Side panels	1,5 mm	Plywood
E3	1	Main deck	1,5 mm	Plywood
E4-E5-E6	3	Cockpit panel cabinet	1,5 mm	Plywood
E7...E11	8	Front cabine small window parts	1,5 mm	Plywood
E12...E16	5	Cabine reservoir	1,5 mm	Plywood
E17...E21	5	Front cabine reservoir	1,5 mm	Plywood
F1	1	Cabine front part	1,5 mm	Flexible Plywood
K1	6	Door window frames	0,5 mm	Walnut Sheet
M1	7	Outside vertical parts	2,5 mm	Wood Sheet
ME1	1	Propeller shaft pipe	6x100 mm	Pipe
ME2	1	Rudder shaft pipe	3x30 mm	Pipe
ME3	1	Rudder shaft	2x140 mm	Flat Wire
ME4	1	Back post main part	6x220 mm	Pipe
ME5	1	Back post medium part	4x70 mm	Pipe
ME6	1	Back post top part	3x65 mm	Flat Wire
ME7	1	Antenna part-horizontal	2x35 mm	Flat Wire
ME8	1	Antenna part-left vertical	1x85 mm	Flat Wire

ME9

1

Antenna part- right vertical

1x50 mm

Flat Wire

NO	QUANTITY	DESCRIPTION	SIZE	TYPE
ME10	2	Back post supporters	4x150 mm	Flat Wire
ME11	3	Back post horizontal supporters	4x60 mm	Flat Wire
ME12	1	Back post boom supporter	2x85 mm	Flat Wire
ME13	1	Back post boom	3x85 mm	Flat Wire
ME14	1	Cabine roof antenna main part	3x80 mm	Flat Wire
ME15	4	Small funnel top parts	5x18 mm	Flat Wire
ME16	1	Small funnel main parts	5x120 mm	Flat Wire
ME17	1	Funnel bottom part	13x35 mm	Pipe
ME18	1	Funnel main part	13x140 mm	Pipe
ME19	1	Life boat capsule	16x29 mm	Pipe
ME20	1	Rail winch main shaft	6x70 mm	Pipe
ME21	4	Rail winch legs	3x80 mm	Flat Wire
ME22	1	Secondary winch shaft	3x62 mm	Flat Wire
ME23	1	Winch main bar	6x40 mm	Pipe
ME24	1	Winch supporter bar	1,5x40 mm	Flat Wire
ME25	1	Winch power shaft	3x60 mm	Flat Wire
ME26	1	Secondary winch middle shaft part-outside	6x25 mm	Pipe
ME27	3	Arms for lamps and bell	1x20 mm	Flat Wire
ME28	1	Main post	10x280 mm	Pipe
ME29	1	Main post adapter part	8x16 mm	Pipe
ME30	1	Main post middle part	6x95 mm	Pipe
ME31	1	Main post top part	4x90 mm	Flat Wire
ME32	1	Main post boom outside part	6x98 mm	Pipe
ME33	1	Main post boom inside part-bottom	4x48 mm	Pipe
ME34	2	Main post supporters	5x280 mm	Flat Wire
ME35	3	Main post horizontal supporters	5x65 mm	Flat Wire
ME36	1	Rail lid legs supporter bar-front	3x88 mm	Flat Wire
ME37	1	Rail lid legs supporter bar-back	2x45 mm	Flat Wire
ME38	1	Rail lid legs supporter bar-back	2x78 mm	Flat Wire
ME39	1	Rail post house	6x15 mm	Pipe
ME40	1	Rail post	4x60 mm	Flat Wire
ME41	1	Rail post supporter	4x75 mm	Flat Wire
ME42	1	Rail post supporter-horizontal	4x85 mm	Flat Wire
ME43	2	Main post bottom side bollards	2x30 mm	Flat Wire
ME44	1	Chain	Ready	Metal
ME45	6	Eyebolt	Ready	Metal
ME46	2	Secondary winch side shaft parts-outside	6x10 mm	Pipe
ME47	1	Main post boom inside part-top	4x60 mm	Flat Wire
ME48	1	Small funnel main parts	5x63 mm	Flat Wire
P1-1	2	Cabine glasses for sides on the front	1 mm	Clear Sheet
P2-1	4	Cabine back glasses	2 mm	Plexy-Glass
P3-1...9	16	Main winch parts	1 mm	Plexy-Glass
P3-10	1	Ladder	1 mm	Plexy-Glass
P4-1...3	9	Main winch parts	3 mm	Plexy-Glass
P4-4	6	Life ring hangs	3 mm	Plexy-Glass
P5-1	2	Porthole glasses	1 mm	Plexy-Glass
P5-2	1	Projector glass	1 mm	Plexy-Glass
P5-3	1	Gauge glass	1 mm	Plexy-Glass
P5-4	2	Front cabine glasses	1 mm	Plexy-Glass
P5-5	3	Door glasses	1 mm	Plexy-Glass
P5-6	4	Cabine front glasses	1 mm	Plexy-Glass
P6-1	1	Cabine roof antenna top supporter	1 mm	Plexy-Glass
P6-2	1	Cabine roof antenna house part	1 mm	Plexy-Glass
P6-3	1	Projector house part	1 mm	Plexy-Glass
P6-4	2	House of small funnels	1 mm	Plexy-Glass
P6-5	1	Funnel house	1 mm	Plexy-Glass
P6-6	4	Lid legs houses	1 mm	Plexy-Glass
P6-7	8	Ladder legs	1 mm	Plexy-Glass
P6-8,P6-9	4	Life boat parts	1 mm	Plexy-Glass
P6-10	1	Name plates	1 mm	Plexy-Glass
P6-11	2	Life ring hang parts	1 mm	Plexy-Glass
P6-12	6	Door handles	1 mm	Plexy-Glass
P6-13...18	11	Main post house parts	1 mm	Plexy-Glass
P7-1,P7-3...7	12	Secondary winch parts	1 mm	Plexy-Glass

NO	QUANTITY	DESCRIPTION	SIZE	TYPE
P7-2	1	Rail winch part	1 mm	Plexy-Glass
R1	2	Liferings	Ready	Plastic
S1	70	Cover strips	1,6x5x700 mm	Pine
S2	70	Baswood second cover strips	0,5x4x450 mm	Baswood
S3	15	Walnut second cover strips	0,5x3x300 mm	Walnut
S4	1	Keel strip	6x6x540 mm	Baswood
S5	1	Board light bars	1x2x300 mm	Baswood
S6	2	Half a dowel-horizontally	4x710 mm	Ayous
S7	1	Half a dowel-horizontally	4X350 mm	Ayous
S8	7	Half a dowel-horizontally	4x70 mm	Ayous
ST1	2	Ship name	-	Sticker
ST2	1	Radar brand	-	Sticker
ST3	1	Flag	-	Sticker
W1	1	Rudder	Ready	Wood
W2	2	Front wooden bollards	6,5x6,5x16 mm	Wood
W3	3	Single-hole blocks	Ready	Wood
WM1	2	Portholes	-	White Metal
WM2	1	Gauge	-	White Metal
WM3	1	Speed control	-	White Metal
WM4	1	Rudder wheel	-	White Metal
WM5	1	Propeller	-	White Metal
WM6	1	Propellar shaft	-	White Metal
WM7	1	Speed control handle	-	White Metal
WM8	2	Long bollards	-	White Metal
WM9	2	Small bollards	-	White Metal
WM10	2	Large lamps	-	White Metal
WM11	3	Small lamps	-	White Metal
WM12	3	Small lamp bases	-	White Metal
WM13	2	Cabine roof antenna parts	-	White Metal
WM14	2	Winch arms	-	White Metal
WM15	4	Winch fixer parts	-	White Metal
WM16	2	Board lights	-	White Metal
WM17...20	6	Board light base parts	-	White Metal
WM21	2	Hull lid legs	-	White Metal
WM22	4	Small pulley	-	White Metal
WM23	6	Large pulley	-	White Metal
WM24	2	Rail winch fixer parts	-	White Metal
WM25...27	3	Radar parts	-	White Metal
WM28	2	Main winch heads	-	White Metal
WM29	2	Secondary winch heads	-	White Metal
WM30...31	2	Main post connectors	-	White Metal
WM32	1	Rail winch bottom part	-	White Metal
WM33	1	Back post connector	-	White Metal
WM34	1	Rail post connection part	-	White Metal
WM35	1	Bell	-	White Metal
WM36	1	Projector	-	White Metal
WM37	2	Life boat capsule lids	-	White Metal
WM38...40	8	Fish box construction parts	-	White Metal
WM41	2	Reservoir lids	-	White Metal
Y1	1	Rope	Ready	Yarn