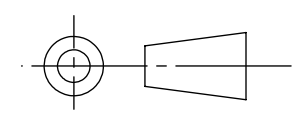
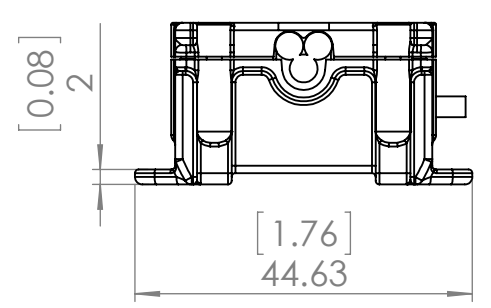
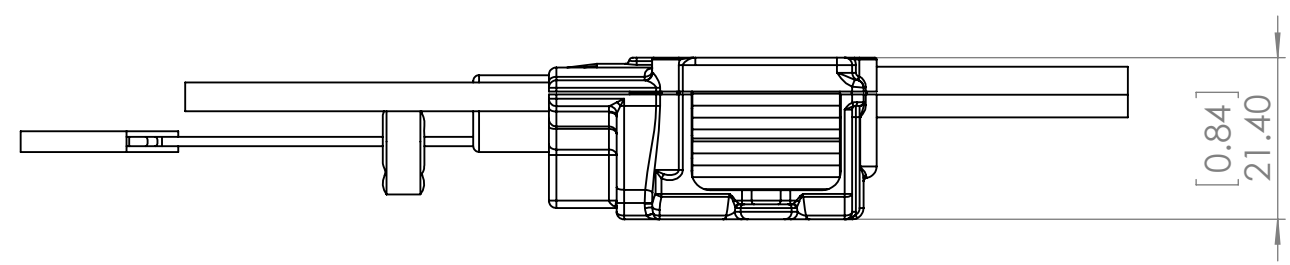
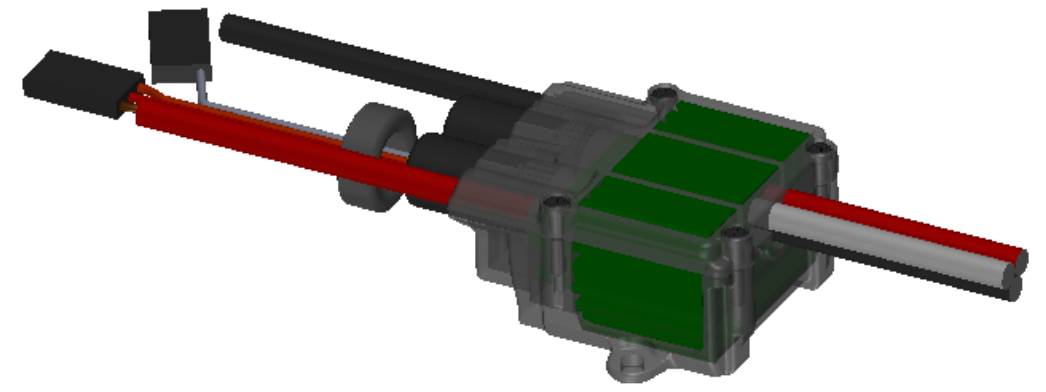
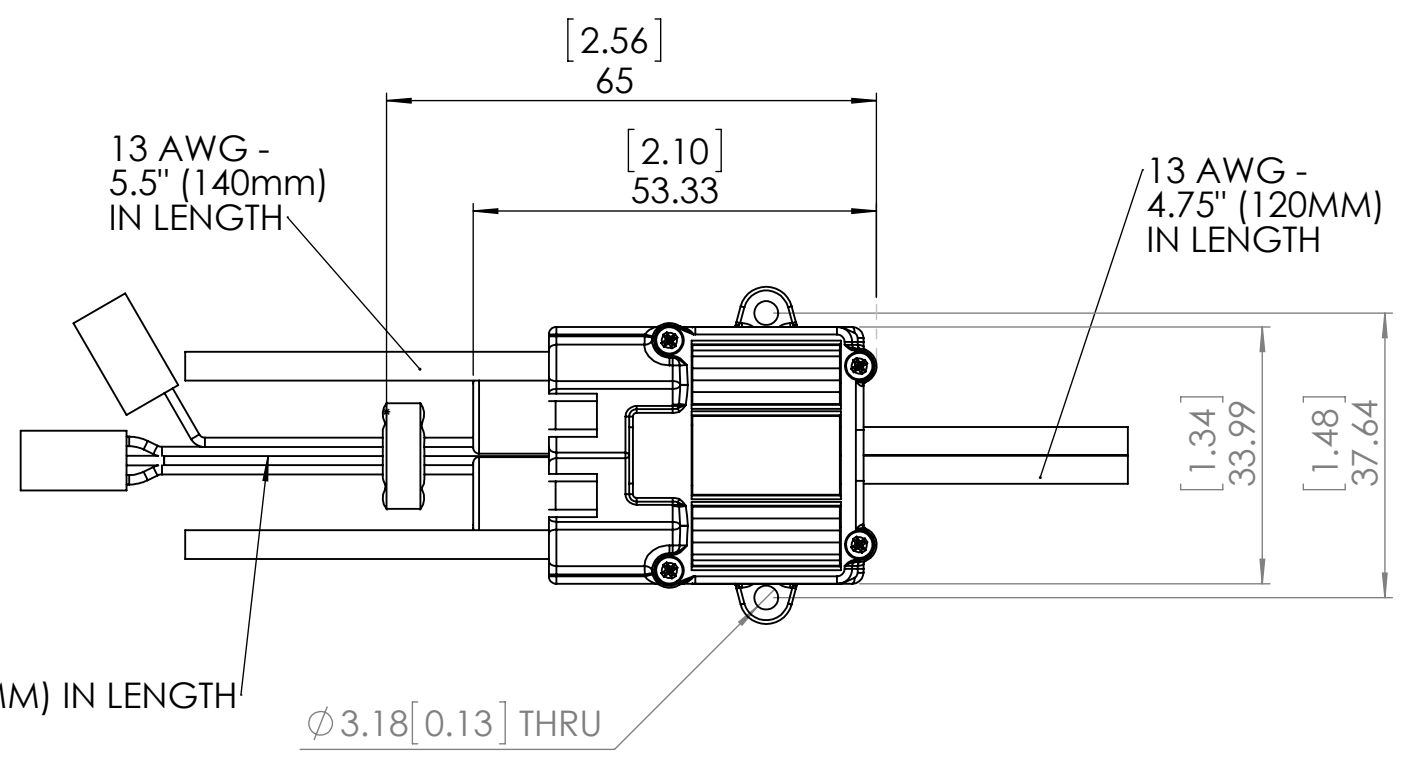


8 7 6 5 4 3 2 1

D
C
B
A

D
C
B



PROPRIETARY AND CONFIDENTIAL
 THE INFORMATION CONTAINED IN THIS DRAWING IS THE SOLE PROPERTY OF CASTLE CREATIONS. ANY REPRODUCTION IN PART OR AS A WHOLE WITHOUT THE WRITTEN PERMISSION OF CASTLE CREATIONS IS PROHIBITED.

UNLESS OTHERWISE SPECIFIED:
 DIMENSIONS ARE IN INCHES [mm]
 TOLERANCES: (UNLESS NOTED)
 ANGULAR: MACH±0.5° BEND ±1°
 ONE PLACE DECIMAL ±0.01
 TWO PLACE DECIMAL ±0.005

DRAWN: JCV
 DATE: 08/22/2012

MATERIAL
 FINISH

DO NOT SCALE DRAWING

<i>castle creations, inc.</i>		
TITLE:		
SIZE	DWG. NO.	REV
B	EDGE 50	-
SCALE: 1:2		SHEET 1 OF 1

8 7 6 5 4 3 2 1