



AXI00002V3T3/T4

JEEP WRANGLER JL

1/24 SCALE SCX24 4WD ROCK CRAWLER READY-TO-RUN



Before operating this vehicle, please read all printed materials thoroughly. Horizon Hobby is not responsible for inadvertent errors in this manual.

INSTRUCTION MANUAL
BEDIENUNGSANLEITUNG
MANUEL D'UTILISATION
MANUALE DI ISTRUZIONI

Scan and select the Manuals and Support quick links from the product page for the most up-to-date manual information.

Scannen Sie und wählen Sie auf der Produktseite die Quicklinks Handbücher und Unterstützung, um die aktuellsten Informationen zu Handbüchern.

Scannez l et sélectionnez les liens rapides Manuals and Support sur la page du produit pour obtenir les informations les plus récentes sur le manuel.

Scannerizzare selezionare i Link veloci Manuali e Supporto dalla pagina del prodotto per le informazioni manuali più aggiornate.



HORIZON
H O B B Y

NOTICE

All instructions, warranties and other collateral documents are subject to change at the sole discretion of Horizon Hobby, LLC. For up-to-date product literature, visit horizonhobby.com or towerhobbies.com and click on the support or resources tab for this product.

MEANING OF SPECIAL LANGUAGE

The following terms are used throughout the product literature to indicate various levels of potential harm when operating this product:

WARNING: Procedures, which if not properly followed, create the probability of property damage, collateral damage, and serious injury OR create a high probability of superficial injury.

CAUTION: Procedures, which if not properly followed, create the probability of physical property damage AND a possibility of serious injury.

NOTICE: Procedures, which if not properly followed, create a possibility of physical property damage AND a little or no possibility of injury.



WARNING: Read the ENTIRE instruction manual to become familiar with the features of the product before operating. Failure to operate the product correctly can result in damage to the product, personal property and cause serious injury.

This is a sophisticated hobby product. It must be operated with caution and common sense and requires some basic mechanical ability. Failure to operate this Product in a safe and responsible manner could result in injury or damage to the product or other property. This product is not intended for use by children without direct adult supervision. Do not use with incompatible components or alter this product in any way outside of the instructions provided by Horizon Hobby, LLC. This manual contains instructions for safety, operation and maintenance. It is essential to read and follow all the instructions and warnings in the manual, prior to assembly, setup or use, in order to operate correctly and avoid damage or serious injury.

Age Recommendation: Not for children under 14 years. This is not a toy.

SAFETY PRECAUTIONS AND WARNINGS

As the user of this product, you are solely responsible for operating in a manner that does not endanger yourself and others or result in damage to the product or property of others.

This model is controlled by a radio signal subject to interference from many sources outside your control. This interference can cause momentary loss of control, so it is advisable to always keep a safe distance in all directions around your model as this margin will help avoid collisions or injury.

- Never operate your model with low transmitter batteries.
- Always operate your model in open spaces away from full-size vehicles, traffic and people.
- Never operate the model in the street or in populated areas for any reason.
- Carefully follow the directions and warnings for this and any optional support equipment (chargers, rechargeable battery packs, etc.) you use.
- Keep all chemicals, small parts and anything electrical out of the reach of children.
- Never lick or place any portion of the model in your mouth as it could cause serious injury or even death.
- Exercise caution when using tools and sharp instruments.
- Take care during maintenance as some parts may have sharp edges.
- Immediately after using your model, do NOT touch equipment such as the motor, electronic speed control and battery, because they generate high temperatures. You may burn yourself seriously touching them.
- Do not put fingers or any objects inside rotating and moving parts, as this may cause damage or serious injury.
- Always turn on your transmitter before you turn on the receiver in the car. Always turn off the receiver before turning your transmitter off.
- Keep the wheels of the model off the ground when checking the operation of the radio equipment.

TABLE OF CONTENTS

Water-Resistant Vehicle with Waterproof Electronics	3	Binding the Transmitter and Receiver	10
Box Contents	4	Receiver and ESC Wiring Diagram	10
USB Charging Warnings	5	Troubleshooting	11
Charge the Vehicle Battery	5	Replacement Parts	11
Transmitter Layout	6	Optional Parts	11
Install the Transmitter Batteries	7	Limited Warranty	12
Remove the Vehicle Body	7	Warranty and Service Contact Information	13
Install the Vehicle Battery	8	FCC Information	13
Power on the Transmitter	8	IC Information	14
Power on the Vehicle	9	Compliance Information for the European Union	14
Test the Controls	9	Exploded Views	51–55
After Driving	10		

WATER-RESISTANT VEHICLE WITH WATERPROOF ELECTRONICS

Your new Horizon Hobby vehicle has been designed and built with a combination of waterproof and water-resistant components to allow you to operate the product in many “wet conditions,” including puddles, creeks, wet grass, snow and even rain.

While the entire vehicle is highly water-resistant, it is not completely waterproof and your vehicle should NOT be treated like a submarine. The various electronic components used in the vehicle, such as the Electronic Speed Control (ESC), servo(s) and receiver are waterproof, however, most of the mechanical components are water-resistant and should not be submerged.

Metal parts, including the bearings, hinge pins, screws and nuts, as well as the contacts in the electrical cables, will be susceptible to corrosion if additional maintenance is not performed after running in wet conditions. To maximize the long-term performance of your vehicle and to keep the warranty intact, the procedures described in the “Wet Conditions Maintenance” section below must be performed regularly if you choose to run in wet conditions. If you are not willing to perform the additional care and maintenance required, then you should not operate the vehicle in those conditions.



CAUTION: Failure to exercise caution while using this product and complying with the following precautions could result in product malfunction and/or void the warranty.

GENERAL PRECAUTIONS

- Read through the wet conditions maintenance procedures and make sure that you have all the tools you will need to properly maintain your vehicle.
- Not all batteries can be used in wet conditions. Consult the battery manufacturer before use. Caution should be taken when using Li-Po batteries in wet conditions.
- Most transmitters are not water-resistant. Consult your transmitter’s manual or the manufacturer before operation.
- Never operate your transmitter or vehicle where lightning may be present.
- Do not operate your vehicle where it could come in contact with salt water (ocean water or water on salt-covered roads), contaminated or polluted water. Salt water is very conductive and highly corrosive, so use caution.
- Even minimal water contact can reduce the life of your motor if it has not been certified as water-resistant or waterproof. If the motor becomes excessively wet, apply very light throttle until the water is mostly removed from the motor. Running a wet motor at high speeds may rapidly damage the motor.
- Driving in wet conditions can reduce the life of the motor. The additional resistance of operating in water causes excess strain. Alter the gear ratio by using a smaller pinion or larger spur gear. This will increase torque (and motor life) when running in mud, deeper puddles, or any wet conditions that will increase the load on the motor for an extended period of time.

WET CONDITIONS MAINTENANCE

- Drain any water that has collected in the tires by spinning them at high speed. With the body removed, place the vehicle upside down and pull full throttle for a few short bursts until the water has been removed.



CAUTION: Always keep hands, fingers, tools and any loose or hanging objects away from rotating parts when performing the above drying technique.

- Remove the battery pack(s) and dry the contacts. If you have an air compressor or a can of compressed air, blow out any water that may be inside the recessed connector housing.
- Remove the tires/wheels from the vehicle and gently rinse the mud and dirt off with a garden hose. Avoid rinsing the bearings and transmission.

NOTICE: Never use a pressure washer to clean your vehicle.

- Use an air compressor or a can of compressed air to dry the vehicle and help remove any water that may have gotten into small crevices or corners.
- Spray the bearings, drive train, fasteners and other metal parts with a water-displacing light oil. Do not spray the motor.
- Let the vehicle air dry before you store it. Water (and oil) may continue to drip for a few hours.
- Increase the frequency of disassembly, inspection and lubrication of the following:
 - Front and rear axle hub assembly bearings.
 - All transmission cases, gears and differentials.
 - Motor—clean with an aerosol motor cleaner and re-oil the bushings with lightweight motor oil.

BOX CONTENTS

INCLUDED COMPONENTS	
Vehicle	SCX24 Jeep Wrangler JLU 1:24 Scale 4WD Rock Crawler RTR (AXI00002V3)
Transmitter	SLT2 2-CH 2.4Ghz SLT (SPMRSLT200)
Charger	Spektrum USB-C 2S JST-XH (SPMXC0030)
Vehicle Battery	Spektrum 7.4V 350mAh 3S LiPo: PH (SPMX3502S30)
Motor	SCX24 Motor with Pinion (DYNS1217)
ESC/Receiver	10 Amp Brushed 2-in-1 ESC / SLT Receiver Combo (SPMXSE2425RX)
Servo	AS-1 Micro Servo (AXI31619)
Transmitter Batteries	(4) AA Alkaline

SPECIFICATIONS	
Length	7.9" (200mm)
Width	3.85" (98mm)
Height	4.2" (106.5mm)
Operating Weight	5.6 oz (160g)

USB CHARGING WARNINGS

WARNING: Failure to exercise caution while using this product and comply with the following warnings could result in product malfunction, electrical issues, excessive heat, FIRE, and ultimately injury and property damage.

- **NEVER LEAVE CHARGING BATTERIES UNATTENDED.**
- **NEVER CHARGE BATTERIES OVERNIGHT.**
- Never attempt to charge dead, damaged or wet battery packs.
- Never attempt to charge a battery pack containing different types of batteries.
- Never allow children under 14 years of age to charge battery packs.
- Never charge batteries in extremely hot or cold places or place in direct sunlight.
- Never charge a battery if the cable has been pinched or shorted.
- Never connect the charger if the power cable has been pinched or shorted.
- Never attempt to dismantle the charger or use a damaged charger.
- Always use only rechargeable batteries designed for use with this type of charger.
- Always inspect the battery before charging.
- Always keep the battery away from any material that could be affected by heat.
- Always monitor the charging area and have a fire extinguisher available at all times.
- Always end the charging process if the battery becomes hot to the touch or starts to change form (swell) during the charge process.
- Always connect the positive leads (+) and negative leads (-) correctly.
- Always disconnect the battery after charging, and let the charger cool between charges.
- Always charge in a well-ventilated area.
- Always terminate all processes and contact Horizon Hobby if the product malfunctions.
- Charge only rechargeable batteries. Charging non-rechargeable batteries may cause the batteries to burst, resulting in injury to persons and/or damage to property.
- The USB outlet shall be installed near the equipment and shall be easily accessible.

CAUTION: Always ensure the battery you are charging meets the specifications of this charger. Not doing so can result in excessive heat and other related product malfunctions, which can lead to user injury or property damage. Please contact Horizon Hobby or an authorized retailer with compatibility questions.

CAUTION: If at any time during the charge process the battery pack becomes hot or begins to puff, disconnect the battery immediately and discontinue the charge process as batteries can cause fire, collateral damage and injuries.

CHARGE THE VEHICLE BATTERY

Use only the included USB charger to charge the battery.

1. Connect the charger to a suitable USB power port. The charger will work with most 5V mobile power sources or smartphone chargers with at least 1 amp of power output.

NOTICE: Charging the battery with a USB power port with less than 1 amp of power output can produce heat.

2. Connect the charge lead to the battery, noting correct polarity. Charging a fully discharged battery takes approximately 45–60 minutes. Charge times may vary depending on the power source.
3. Remove the battery from the charger when the charging cycle is complete.
4. Remove the charger from the power supply.

CAUTION: Once charging is complete, immediately remove the battery. Never leave a battery connected to the charger.

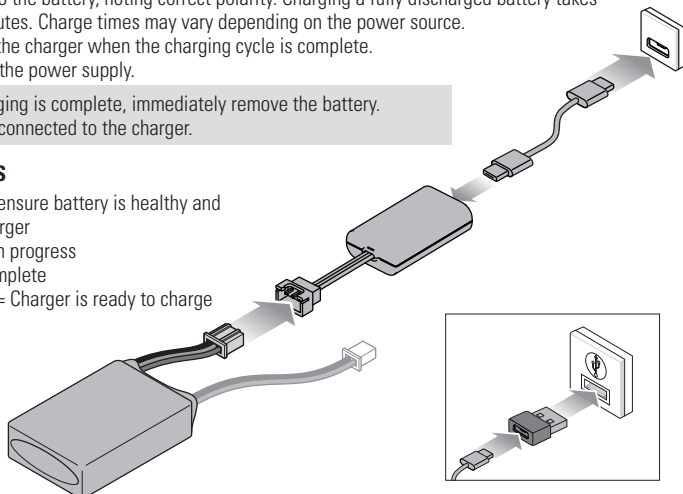
CHARGER LED INDICATIONS

RED, solid = Charging error: ensure battery is healthy and properly connected to the charger

ORANGE, solid = Charging in progress

GREEN, solid = Charging complete

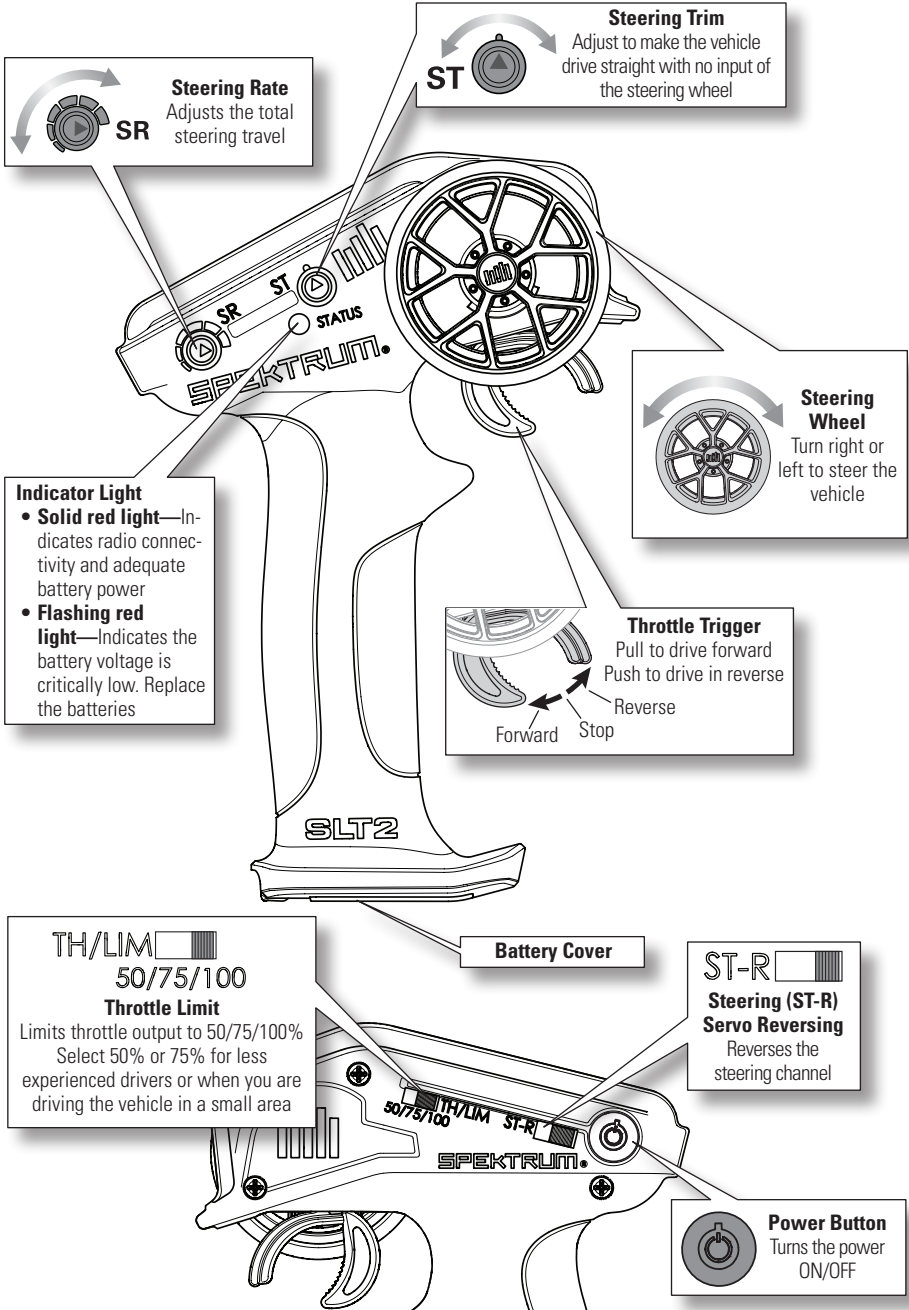
ORANGE/GREEN, flashing = Charger is ready to charge



TRANSMITTER LAYOUT


Use the diagram below to familiarize yourself with the different parts of your transmitter.


The transmitter antenna is mounted internally and is located in the front portion of the transmitter. When you are driving your model, hold the transmitter so it is oriented as close to vertical as possible. Do not try to follow your model with the transmitter. This provides the best RF signal between the transmitter and the receiver. Do not cover the front of the transmitter during use as doing so can block the RF signal, resulting in loss of control.




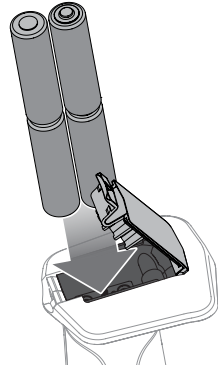
INSTALL THE TRANSMITTER BATTERIES

1. Press the battery compartment latch and rotate the batter cover to open.
2. Install 4 AA alkaline batteries, verifying correct polarity.
3. Close the battery cover until it latches.

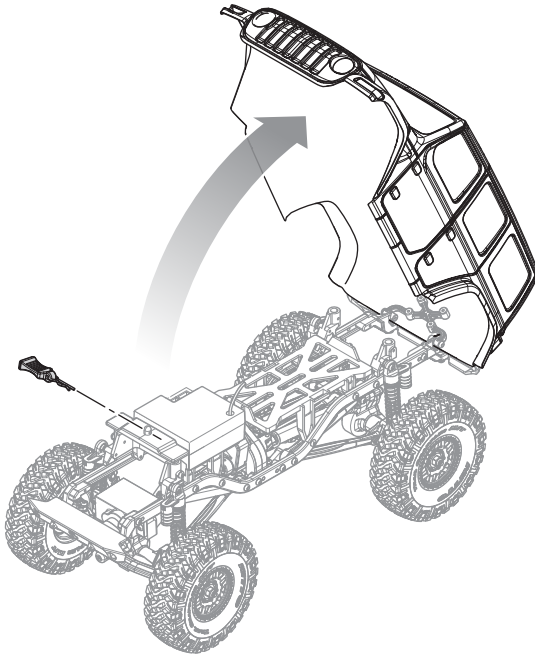
 **CAUTION:** NEVER remove the transmitter batteries while the vehicle is powered ON. Loss of vehicle control, damage, or injury may occur.

 **CAUTION:** If using rechargeable batteries, charge only rechargeable batteries. Charging non-rechargeable batteries may cause the batteries to burst, resulting in injury or property damage.

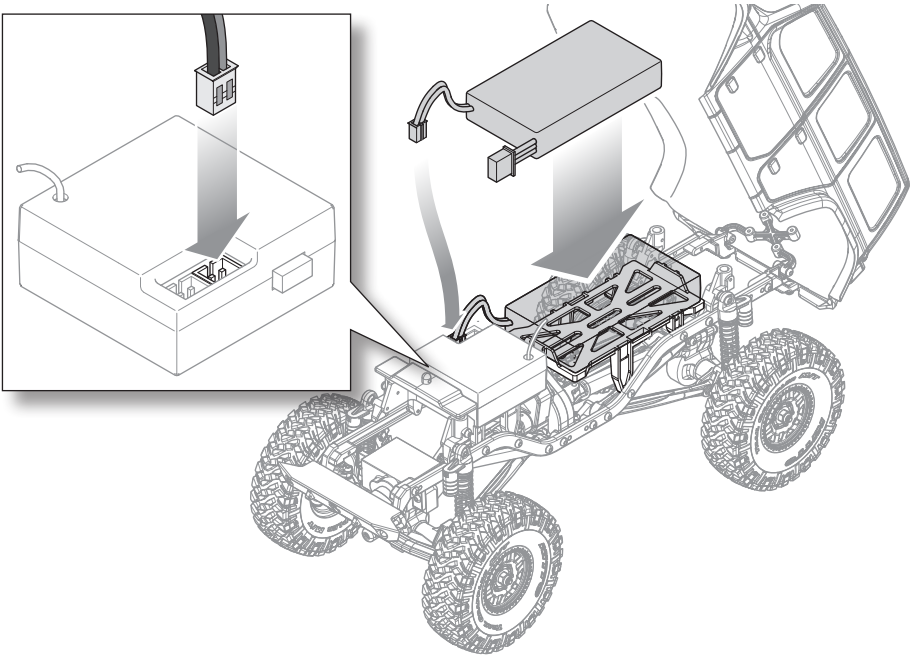
 **CAUTION:** Risk of explosion if battery is replaced by an incorrect type. Dispose of used batteries according to state and local laws.



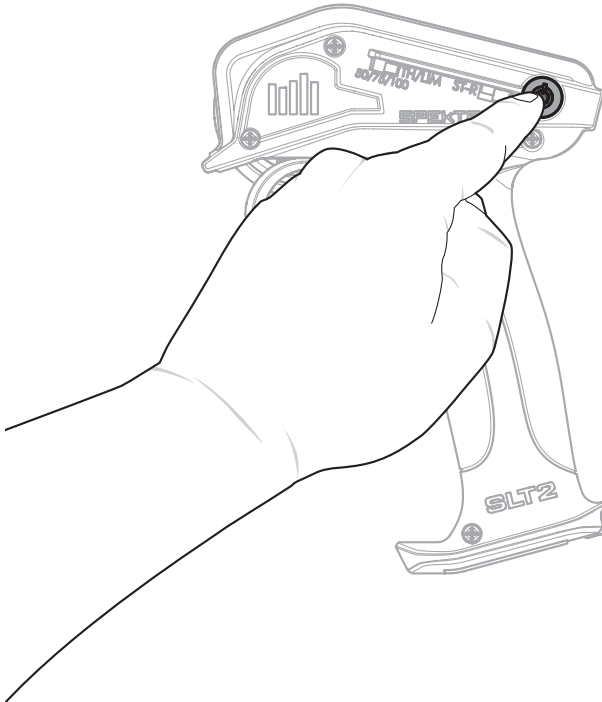
REMOVE THE VEHICLE BODY



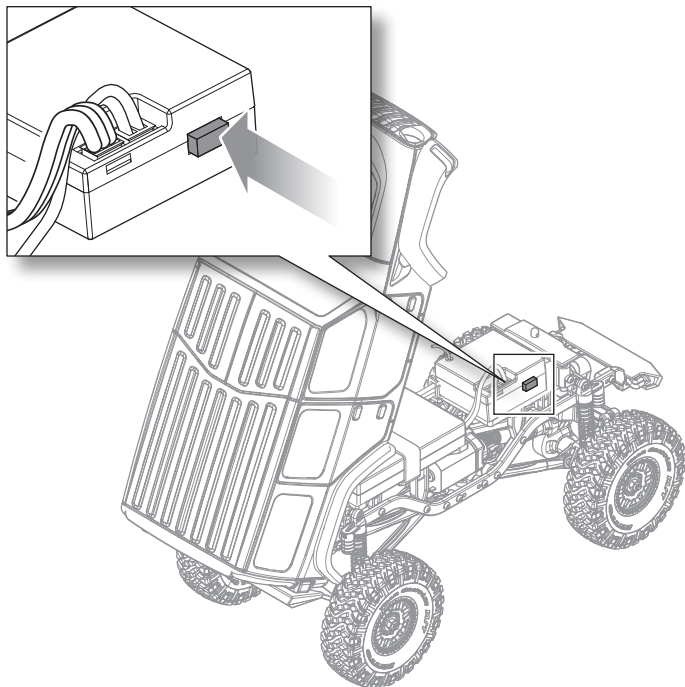
INSTALL THE VEHICLE BATTERY



POWER ON THE TRANSMITTER



POWER ON THE VEHICLE

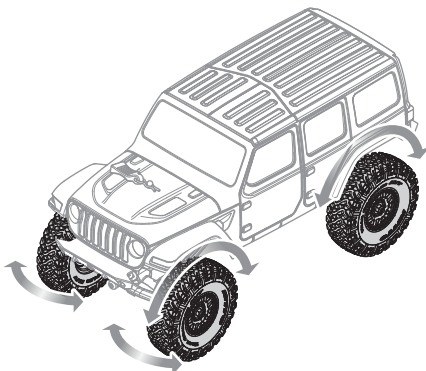
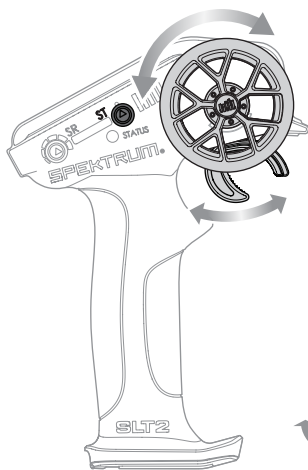


TEST THE CONTROLS

With the vehicle wheels off the ground, test the throttle and steering controls. Ensure the wheels spin in the proper direction and the front wheels turn in the proper direction with steering input.

After checking for proper direction of controls, start driving slowly. If the vehicle does not go straight without steering input, adjust the steering trim dial on the transmitter until the vehicle holds a straight line with no steering input.

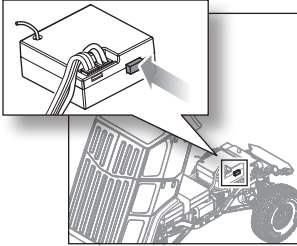
Have FUN driving your vehicle!



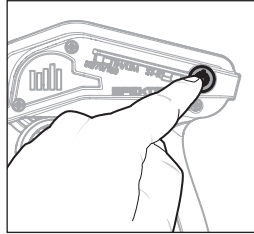
AFTER DRIVING

When you are finished driving your vehicle:

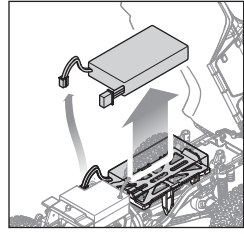
1. Power off the vehicle.



2. Power off the transmitter.



3. Remove the vehicle battery and charge if necessary.



BINDING THE TRANSMITTER AND RECEIVER

Binding is the process of programming the receiver to recognize a specific transmitter signal, thus preventing interference from other transmitters. The transmitter and receiver included with your vehicle are bound at the factory. If you need to rebind, follow the instructions below.

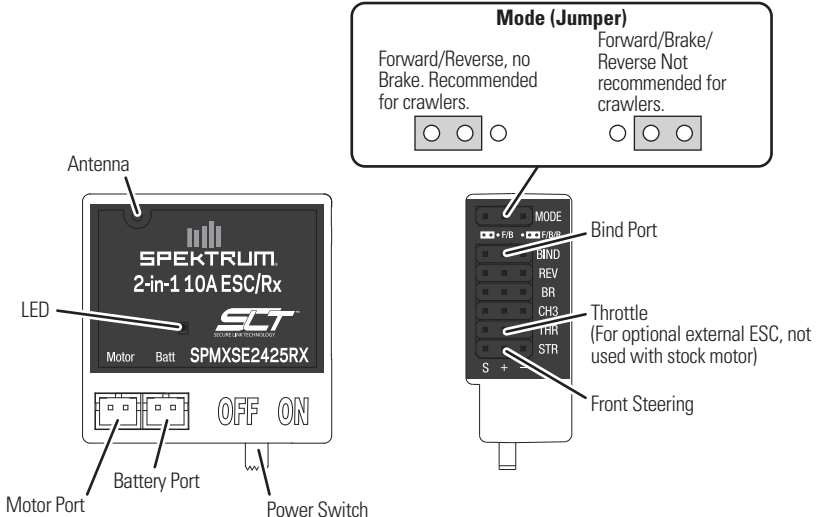
NOTICE: Do not attempt to bind the transmitter and receiver if any other compatible transmitters are in bind mode within approximately 400 feet (120 meters). Doing so may result in unexpected binding to the wrong transmitter and loss of control of your vehicle.

Prior to starting the binding procedure, ensure the servos and motor are connected to the proper ports on the receiver and the transmitter has fresh batteries installed.

1. Insert the bind plug into the receiver.
2. Power on the receiver. The receiver LED will flash rapidly.
3. Power on the transmitter. The transmitter LED will flash.
4. When the LED glows solid, binding is complete.

The receiver LED will glow solid when both the transmitter and receiver are powered on. If the receiver LED flashes rapidly or is not illuminated, the transmitter and receiver are not bound. Power off both the transmitter and receiver and repeat the binding procedure.

RECEIVER AND ESC WIRING DIAGRAM



TROUBLESHOOTING

PROBLEM	POSSIBLE CAUSE	SOLUTION
Vehicle does not move	Batteries are not installed properly in the transmitter	Ensure the transmitter batteries are properly installed
	Weak or no battery in the vehicle	Install a freshly charged vehicle battery
	Damaged motor	Replace the motor
	Frayed or broken wiring	Replace any damaged wiring
	ESC is shut down by heat protection circuit	Allow the ESC to cool down completely
Loss of vehicle control	Improper antenna placement	Ensure the transmitter antenna is not blocked and the receiver antenna is located properly
	Weak or no batteries in the transmitter or vehicle	Install a freshly charged vehicle battery and new transmitter batteries
	Neutral or trim position is incorrect	Adjust the steering trim
	Receiver and/or battery not connected properly	Check all receiver and battery connections
Steering and/or throttle function is reversed	Servo travel is reversed at the transmitter	Set the transmitter servo reversing switch to the correct position
	Motor wires are not connected properly	Check all motor wires for correct polarity and secure connection

REPLACEMENT PARTS

AXI200000	Clear Body, Precut: SCX24 Jeep Wrangler JLU	AXI31614	Chassis Set
AXI201000	Rear Bumper & Hinge	AXI31615	1/24 KMC Machete 1.0 Wheels, 7mm Hex (4)
AXI201001	Front Bumper	AXI31616	CRC Front Bumper w LEDs
AXI201002	Chassis Parts Long Wheel Base, 133.7mm	AXI31619	AS-1 Micro Servo
AXI203002	Oil Shock St 6mm (.213LBS/IN Red)	AXI40004	1.0 Nitto Trailer Grappler M/T V2 Tires (4)
AXI203003	Spring Set	AXIC1147	Nylon Locking Nut 2mm (10)
AXI204000	Suspension Links Long Wheel Base, 133.7mm	DYNS1217	Motor with Pinion
AXI206000	3mm Body Clip with Tab, Black (10)	SPMRSLT300	SLT3 3CH 2.4Ghz SLT TX Only
AXI31608	Transmission, Assembled	SPMX3502S30	7.4V 350mAh 2S 30C LiPo Battery: PH2.0 2p
AXI31609	Steering Axle, Assembled	SPMXC0030	2S USB-C PH2.54 JST-XH Charger
AXI31610	Straight Axle, Assembled	SPMXSE2425RX	10 Amp Brushed 2-in-1 ESC / SLT Receiver Combo
AXI31611	Driveshaft Set, Short/Medium/Long		

OPTIONAL PARTS

AXI302001	Differential Cover, Brass	PRO1020910	1/24 Trencher F/R 1.0" Tires Mounted 7mm Black Impulse (4)
AXI302002	Hex Hub, Brass (2)	PRO356500	1/24 1946 Dodge Power Wagon Clear Body
AXI302003	Knuckles, Brass (L/R)	PRO358300	1/24 1978 Chevy K-10 Clear Body
AXI302004	Knuckle Weights, Brass (4)	PRO359600	1/24 Cliffhanger High Performance Clear Body
AXI302005	Servo Mount, Brass	SPMXC1050	S1500 DC Smart Charger, 1 x 500W
AXI302006	Rear Upper Link Mount, Brass	SPMXC2050	S155 G2 1x55W AC Smart Charger
DYNH2027	Stainless Steel Screw Set	SPMXCA309	Adapter: IC3 Battery / JST-PH 2.0 Device
DYNT0503	Startup Tool Set: Axial 1/24		
PRO1019410	1/24 Hyrax Front/Rear 1.0" Tires Mounted 7mm Black Impulse (4)		

LIMITED WARRANTY

What this Warranty Covers – Horizon Hobby, LLC, (Horizon) warrants to the original purchaser that the product purchased (the "Product") will be free from defects in materials and workmanship for a period of 2 years from the date of purchase.

What is Not Covered – This warranty is not transferable and does not cover (i) cosmetic damage, (ii) damage due to acts of God, accident, misuse, abuse, negligence, commercial use, or due to improper use, installation, operation or maintenance, (iii) modification of or to any part of the Product, (iv) attempted service by anyone other than a Horizon Hobby authorized service center, (v) Product not purchased from an authorized Horizon dealer, or (vi) Product not compliant with applicable technical regulations or (vii) use that violates any applicable laws, rules, or regulations. OTHER THAN THE EXPRESS WARRANTY ABOVE, HORIZON MAKES NO OTHER WARRANTY OR REPRESENTATION, AND HEREBY DISCLAIMS ANY AND ALL IMPLIED WARRANTIES, INCLUDING, WITHOUT LIMITATION, THE IMPLIED WARRANTIES OF NON-INFRINGEMENT, MERCHANTABILITY AND FITNESS FOR A PARTICULAR PURPOSE. THE PURCHASER ACKNOWLEDGES THAT THEY ALONE HAVE DETERMINED THAT THE PRODUCT WILL SUITABLY MEET THE REQUIREMENTS OF THE PURCHASER'S INTENDED USE.

Purchaser's Remedy – Horizon's sole obligation and purchaser's sole and exclusive remedy shall be that Horizon will, at its option, either (i) service, or (ii) replace, any Product determined by Horizon to be defective. Horizon reserves the right to inspect any and all Product(s) involved in a warranty claim. Service or replacement decisions are at the sole discretion of Horizon. Proof of purchase is required for all warranty claims. SERVICE OR REPLACEMENT AS PROVIDED UNDER THIS WARRANTY IS THE PURCHASER'S SOLE AND EXCLUSIVE REMEDY.

Limitation of Liability – HORIZON SHALL NOT BE LIABLE FOR SPECIAL, INDIRECT, INCIDENTAL OR CONSEQUENTIAL DAMAGES, LOSS OF PROFITS OR PRODUCTION OR COMMERCIAL LOSS IN ANY WAY, REGARDLESS OF WHETHER SUCH CLAIM IS BASED IN CONTRACT, WARRANTY, TORT, NEGLIGENCE, STRICT LIABILITY OR ANY OTHER THEORY OF LIABILITY, EVEN IF HORIZON HAS BEEN ADVISED OF THE POSSIBILITY OF SUCH DAMAGES. Further, in no event shall the liability of Horizon exceed the individual price of the Product on which liability is asserted. As Horizon has no control over use, setup, final assembly, modification or misuse, no liability shall be assumed nor accepted for any resulting damage or injury. By the act of use, setup or assembly, the user accepts all resulting liability. If you as the purchaser or user are not prepared to accept the liability associated with the use of the Product, purchaser is advised to return the Product immediately in new and unused condition to the place of purchase.

Law – These terms are governed by Illinois law (without regard to conflict of law principals). This warranty gives you specific legal rights, and you may also have other rights which vary from state to state. Horizon reserves the right to change or modify this warranty at any time without notice.

WARRANTY SERVICES

Questions, Assistance, and Services – Your local hobby store and/or place of purchase cannot provide warranty support or service. Once assembly, setup or use of the Product has been started, you must contact your local distributor or Horizon directly. This will enable Horizon to better answer your questions and service you in the event that you may need any assistance. For questions or assistance, please visit our website at www.horizonhobby.com, submit a Product Support Inquiry, or call the toll free telephone number referenced in the Warranty and Service Contact Information section to speak with a Product Support representative.

Inspection or Services – If this Product needs to be inspected or serviced and is compliant in the country you live and use the Product in, please use the Horizon Online Service Request submission process found on our website or call Horizon to obtain a Return Merchandise Authorization (RMA) number. Pack the Product securely using a shipping carton. Please note that original boxes may be included, but are not designed to withstand the rigors of shipping without additional protection. Ship via a carrier that provides tracking and insurance for lost or damaged parcels, as Horizon is not responsible for merchandise until it arrives and is accepted at our facility. An Online Service Request is available at http://www.horizonhobby.com/content/service-center_render-service-center. If you do not have internet access, please contact Horizon Product Support to obtain a RMA number along with instructions for submitting your product for service. When calling Horizon, you will be asked to provide your complete name, street address, email address and phone number where you can be reached during business hours. When sending product into Horizon, please include your RMA number, a list of the included items, and a brief summary of the problem. A copy of your original sales receipt must be included for warranty consideration. Be sure your name, address, and RMA number are clearly written on the outside of the shipping carton.

NOTICE: Do not ship Li-Po batteries to Horizon. If you have any issue with a Li-Po battery, please contact the appropriate Horizon Product Support office.

Warranty Requirements – For Warranty consideration, you must include your original sales receipt verifying the proof-of-purchase date. Provided warranty conditions have been met, your Product will be serviced or replaced free of charge. Service or replacement decisions are at the sole discretion of Horizon.

Non-Warranty Service – Should your service not be covered by warranty, service will be completed and payment will be required without notification or estimate of the expense unless the expense exceeds 50% of the retail purchase cost. By submitting the item for service you are agreeing to payment of the service without notification. Service estimates are available upon request. You must include this request with your item submitted for service. Non-warranty service estimates will be billed a minimum of 1/2 hour of labor. In addition you will be billed for return

freight. Horizon accepts money orders and cashier's checks, as well as Visa, MasterCard, American Express, and Discover cards. By submitting any item to Horizon for service, you are agreeing to Horizon's Terms and Conditions found on our website http://www.horizonhobby.com/content/service-center_render-service-center.

ATTENTION: Horizon service is limited to Product compliant in the country of use and ownership. If received, a non-compliant Product will not be serviced. Further, the sender will be responsible for arranging return shipment of the un-serviced Product, through a carrier of the sender's choice and at the sender's expense. Horizon will hold non-compliant Product for a period of 60 days from notification, after which it will be discarded.

10/15

WARRANTY AND SERVICE CONTACT INFORMATION


Country of Purchase	Horizon Hobby	Contact Information	Address
United States of America	Horizon Service Center (Repairs and Repair Requests)	servicecenter.horizonhobby.com/RequestForm/	2904 Research Rd Champaign, IL 61822
	Horizon Product Support (Product Technical Assistance)	productsupport@horizonhobby.com 877-504-0233	
	Sales	websales@horizonhobby.com 800-338-4639	
European Union	Horizon Technischer Service	service@horizonhobby.eu	Hanskampring 9 D 22885 Barsbüttel, Germany
	Sales: Horizon Hobby GmbH	+49 (0) 4121 2655 100	


FCC INFORMATION

FCC ID: BRWSPMSLT200F

This equipment complies with FCC and IC radiation exposure limits set forth for an uncontrolled environment. This equipment should be installed and operated with minimum distance 20cm between the radiator and/or antenna and your body (excluding fingers, hands, wrists, ankles and feet). This transmitter must not be co-located or operating in conjunction with any other antenna or transmitter.

Supplier's Declaration of Conformity Axial Jeep Wrangler JLU 1/24 Scale SCX24 4WD Rock Crawler RTR (AXI0002V3T3/T4)

 This device complies with part 15 of the FCC Rules. Operation is subject to the following two conditions: (1) This device may not cause harmful interference, and (2) this device must accept any interference received, including interference that may cause undesired operation.

 **CAUTION:** Changes or modifications not expressly approved by the party responsible for compliance could void the user's authority to operate the equipment.

NOTE: This equipment has been tested and found to comply with the limits for a Class B digital device, pursuant to part 15 of the FCC Rules. These limits are

designed to provide reasonable protection against harmful interference in a residential installation. This equipment generates, uses and can radiate radio frequency energy and, if not installed and used in accordance with the instructions, may cause harmful interference to radio communications. However, there is no guarantee that interference will not occur in a particular installation. If this equipment does cause harmful interference to radio or television reception, which can be determined by turning the equipment off and on, the user is encouraged to try to correct the interference by one or more of the following measures:

- Reorient or relocate the receiving antenna.
- Increase the separation between the equipment and receiver.
- Connect the equipment into an outlet on a circuit different from that to which the receiver is connected.
- Consult the dealer or an experienced radio/TV technician for help.

Horizon Hobby, LLC
2904 Research Road,
Champaign, IL 61822
Email: compliance@horizonhobby.com
Web: HorizonHobby.com

IC INFORMATION

IC: 6157A-SPMSLT200F
CAN ICES-3 (B)/NMB-3(B)

This device contains license-exempt transmitter(s)/ receiver(s) that comply with Innovation, Science, and Economic Development Canada's license-exempt RSS(s).

Operation is subject to the following 2 conditions:

1. This device may not cause interference.
2. This device must accept any interference, including interference that may cause undesired operation of the device.

COMPLIANCE INFORMATION FOR THE EUROPEAN UNION



EU Compliance Statement:
Axial Jeep Wrangler JLU 1/24 Scale
SCX24 4WD Rock Crawler RTR

(AXI00002V3T3/T4): Hereby, Horizon Hobby, LLC declares that the device is in compliance with the following: EU Low Voltage Directive 2014/35/EU; EU EMC Directive 2014/30/EU; EU Radio Equipment Directive 2014/53/EU; RoHS 2 Directive 2011/65/EU; RoHS 3 Directive - Amending 2011/65/EU Annex II 2015/863.

The full text of the EU declaration of conformity is available at the following internet address: <https://www.horizonhobby.com/content/support-render-compliance>.

NOTE: This product contains batteries that are covered under the 2006/66/EC European Directive, which cannot be disposed of with normal household waste. Please follow local regulations.

Wireless Frequency Range and Wireless Output Power

Transmitter

2410MHz-2480MHz
 13.66 dBm

Receiver

2.406-2.472 GHz
 19dBm (<20dBm)

EU Manufacturer of Record:

Horizon Hobby, LLC
 2904 Research Road
 Champaign, IL 61822 USA

EU Importer of Record:

Horizon Hobby, GmbH
 Hanskampring 9
 22885 Barsbüttel Germany

WEEE NOTICE:



This appliance is labeled in accordance with European Directive 2012/19/EU concerning waste of electrical and electronic equipment (WEEE). This label indicates that this product should not be disposed of with household waste. It should be deposited at an appropriate facility to enable recovery and recycling.



E328



OFFICIALLY LICENSED BY:



EXPLORE

facebook.com/axialinc

instagram.com/axialadventure

twitter.com/axialrc

youtube.com/axialvideos



©2023 Horizon Hobby, LLC.

Axial, the Axial logo and the Horizon Hobby logo are trademarks or registered trademarks of Horizon Hobby, LLC.

Nitto® and Trail Grappler® are registered trademarks of Nitto Tire U.S.A., Inc.

The CRC name and logo are trademarks or registered trademarks of Casey Currie Motorsports and are used under license.

KMC Wheels name and logo are trademarks or registered trademarks of WheelPros, LLC and are used under license.

The Jeep name and associated vehicle likenesses are trademarks or registered trademarks of FCA US LLC and are used under license.

All other trademarks, service marks and logos are property of their respective owners.

Created 8/23

AXI00002V3T3/T4

633249