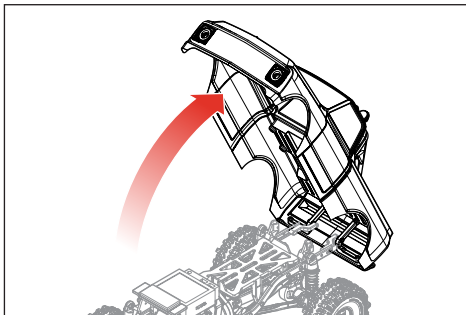


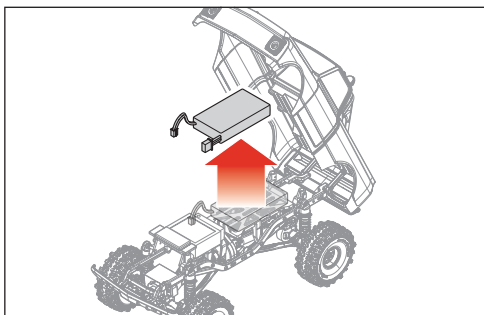
# QUICKSTART GUIDE

**SCX24 1/24th SCALE 4X4 ROCK CRAWLER RTR**

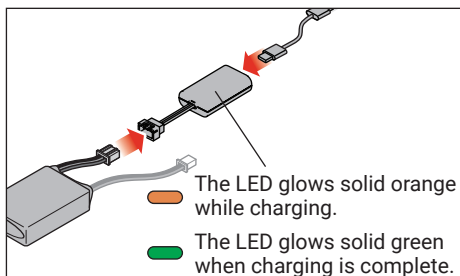
## 1. Open the Body



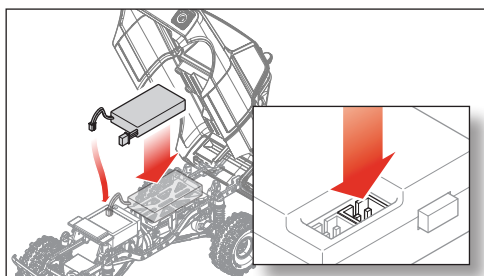
## 2. Remove the Vehicle Battery



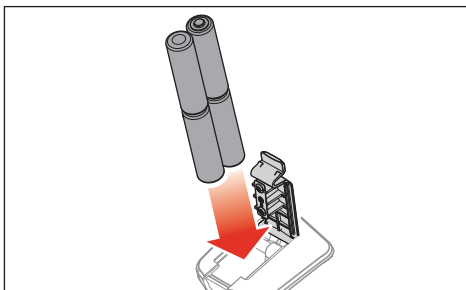
## 3. Charge the Vehicle Battery



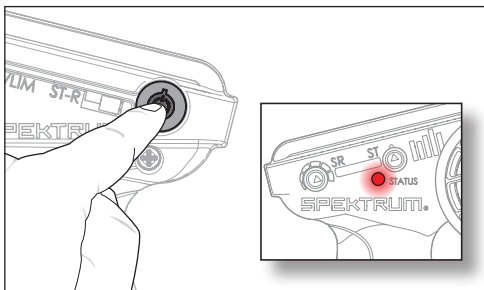
## 4. Reinstall the Vehicle Battery



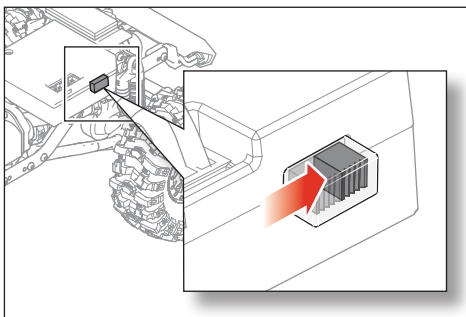
## 5. Install the Transmitter Batteries



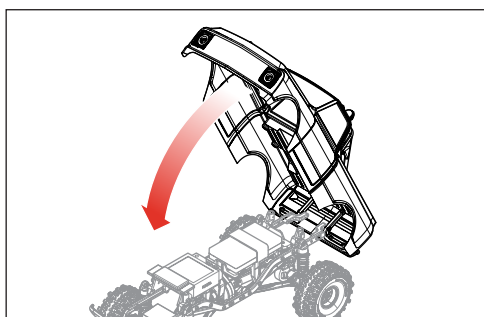
## 6. Power On the Transmitter



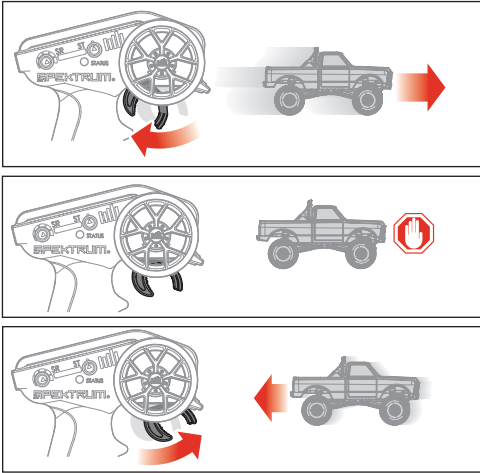
## 7. Power On the Vehicle



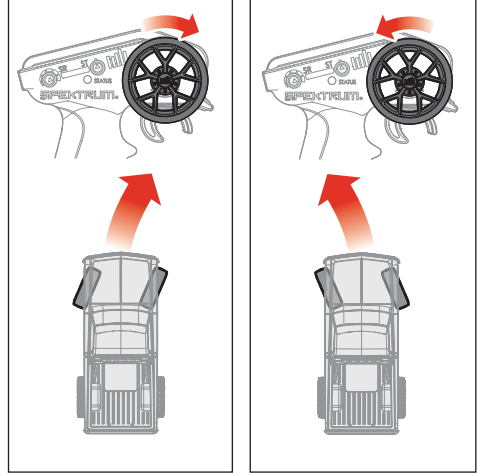
## 8. Close the Body



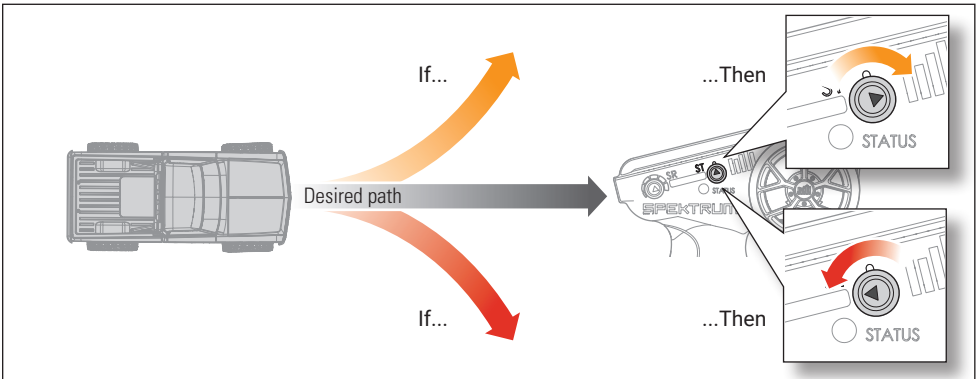
## 9. Forward/Reverse



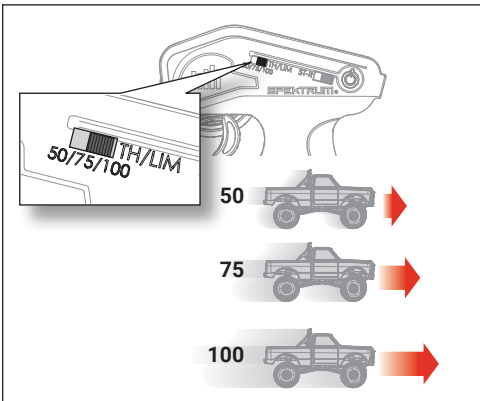
## 10. Steering



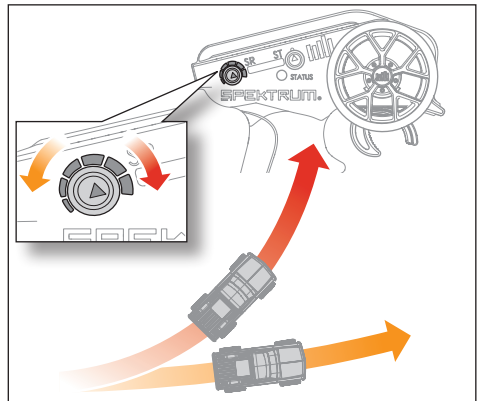
## 11. Steering Trim



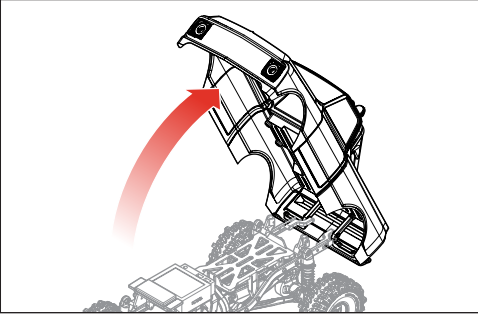
## 12. Throttle Limiter



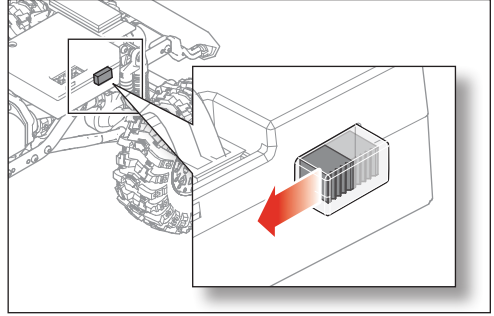
## 13. Steering Rate



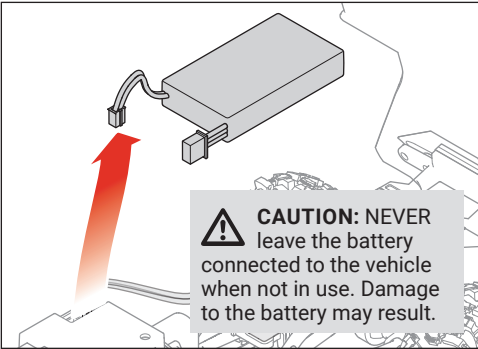
## 14. Open the Body



## 15. Power Off the Vehicle



## 16. Disconnect the Vehicle Battery



## 17. Power Off the Transmitter

