

# MIRAGE III-C 'FIGHTER'



\* You can download the latest version of an instruction manual for this model by visiting [www.academyhobby.com](http://www.academyhobby.com), clicking the link for 'INSTRUCTION & DOWNLOAD' and entering the item number.  
 본 제품의 조립 중 궁금한 점은 [www.academy.co.kr](http://www.academy.co.kr) 접속 후 메뉴 '자료실' → '프라모델' 로 이동하여 해당 제품명을 입력하면 최신의 설명서를 확인 할 수 있습니다.

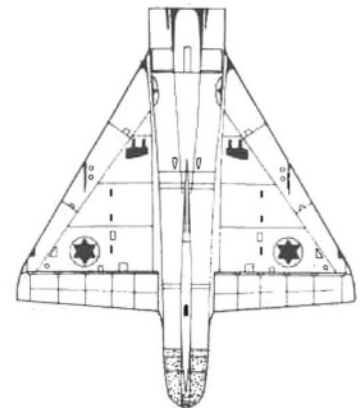
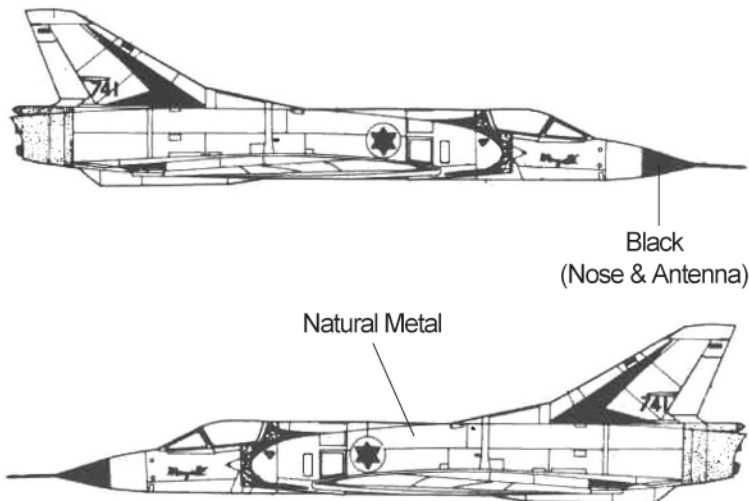
The delta-winged Dassault Mirage III can be found in many air forces throughout the world. This popular French fighter was first flown in 1956 and became operational with the French *Armee de l'Air* in the early '60's. The Mirage's first combat experience came during the Middle East war of 1967, where the Israeli pilots demonstrated their superb flying skill in maneuvering the Mirages to a high-scoring victory.

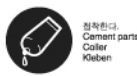
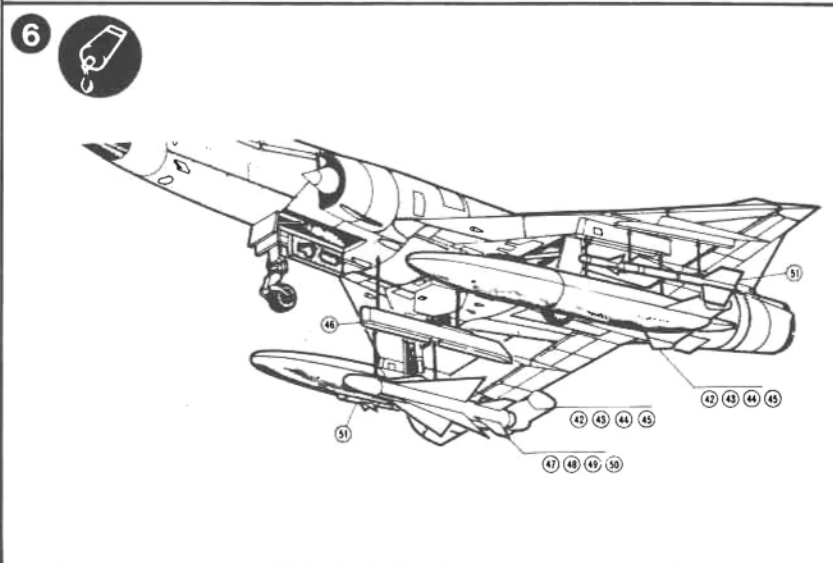
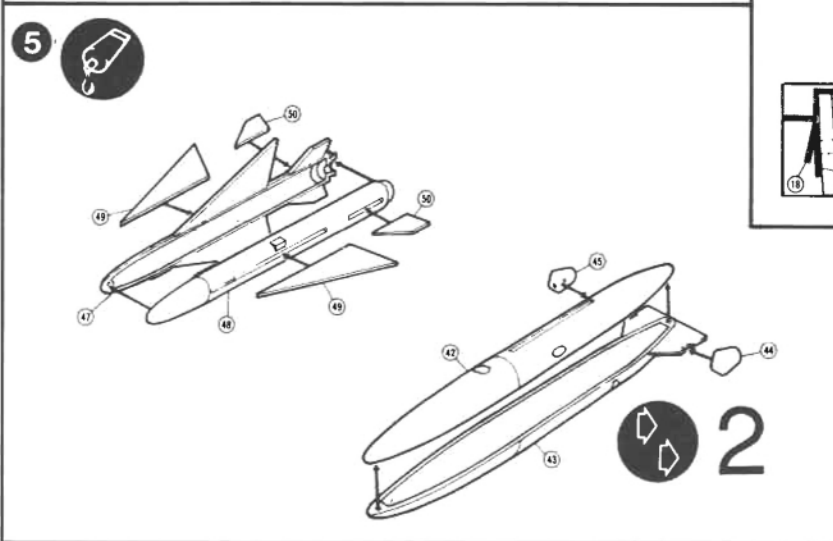
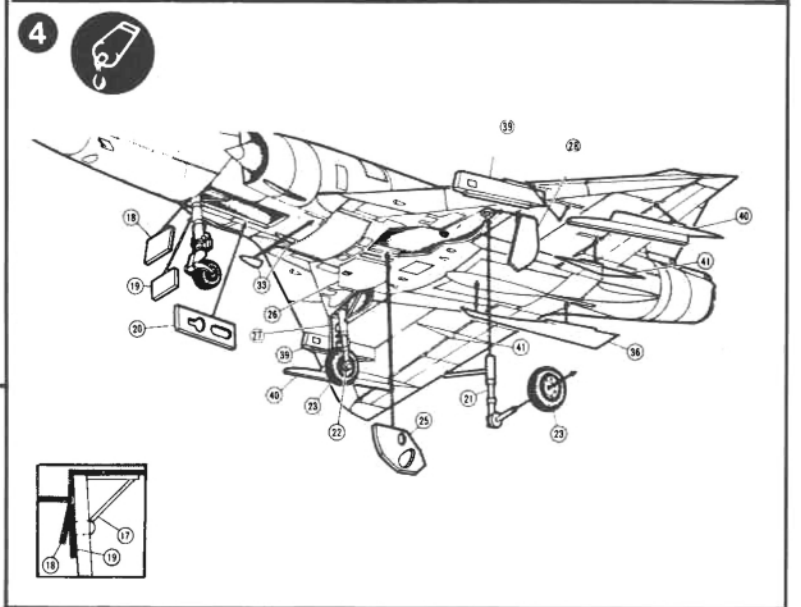
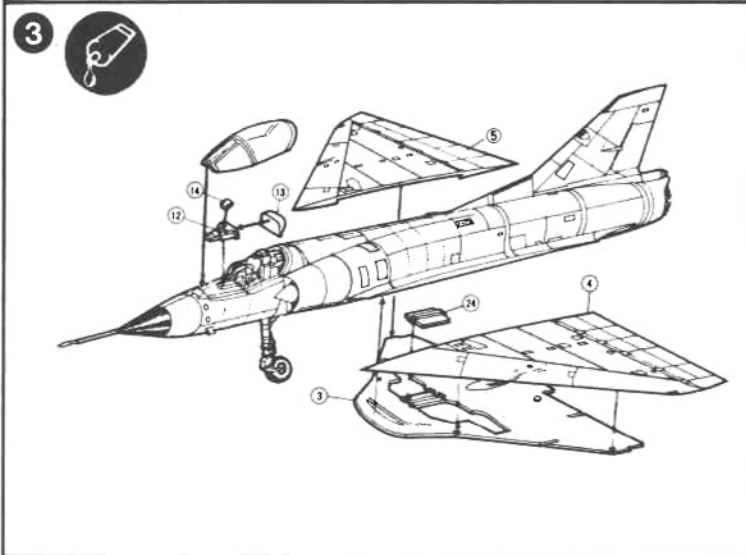
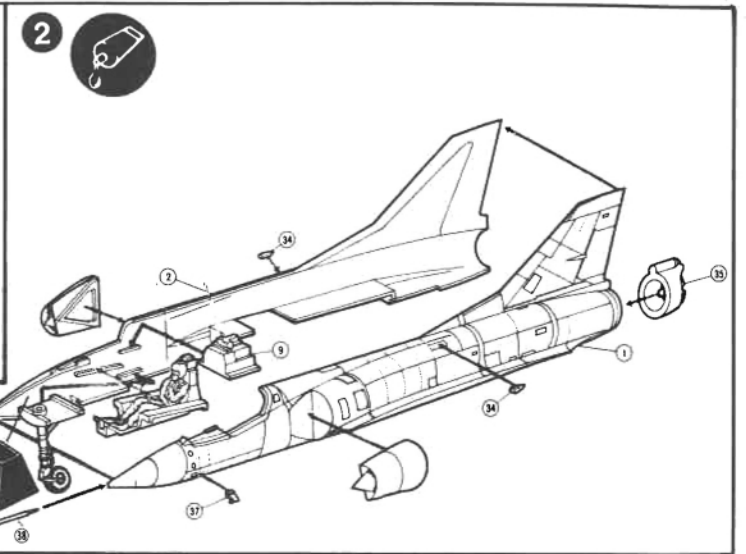
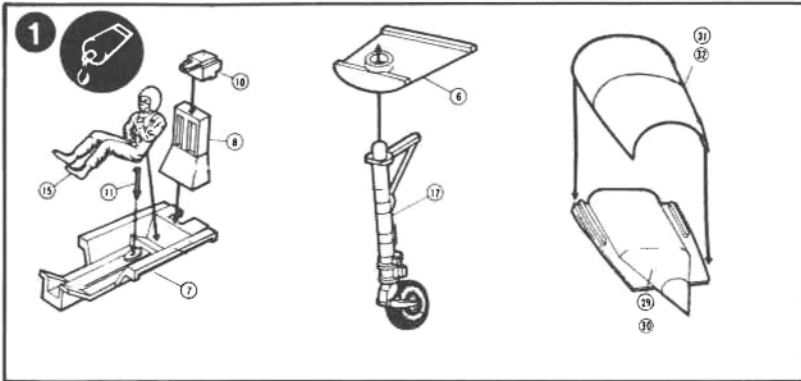
The proven combat ability of the Mirage quickly led to foreign sales and the French fighter soon found itself in the markings of ten countries.

As popular as it is from a commercial point

of view, the Mirage does suffer from some rather severe limitations. The design was developed during an era when the highest speed attainable was the main objective, to the detriment of maneuverability. The Mirage IIIC is fast, but it requires a rather long runway, especially if a heavy weapons load is aboard. In a tight turn the delta wing causes the speed to drop severely, but an experienced pilot can use this to his advantage and force his enemy to overshoot.

The Mirage IIIC is powered by an afterburning SNECMA Atar 9 engine giving a maximum thrust of 13,225 lbs and a top speed of 1,460 mph at 39,375 feet.





점착한다.  
Cement parts  
Coller  
Kleben



점착하지 않는다.  
Do not cement  
Ne pas coller  
Nicht kleben



수리를 반복한다.  
Repeat operation  
Répéter l'opération  
Vorgang wiederholen



잘라낸다.  
Cut away  
Couper  
Schneiden



선택한다.  
Optional parts  
Choix  
Auswahlmöglichkeit



반대쪽도 조립한다.  
Repeat for opposite side  
Répétition de la page  
Wiederholung für gegenüberliegende Seite



전사지를 뚫는다.  
Dessin hole  
Découper  
Abziehbild



무게수를 넣는다.  
Add weight  
Lester  
Gewicht



구멍이나 홈을 메워준다.  
Masking  
Masquieren  
Schließen



구멍을 뚫어준다.  
Make hole  
Faire un trou  
Öffnen



주의한다.  
Be careful  
Faire attention  
Hier Vorsicht



색칠 및 전사지 붙이기 번호.  
Painting scheme number  
Numeros de la lista de pinturas  
Lackierschemanummer

**ACADEMY**  
HOBBY MODEL KITS

**ACADEMY**  
ACADEMY PLASTIC MODEL CO., LTD.