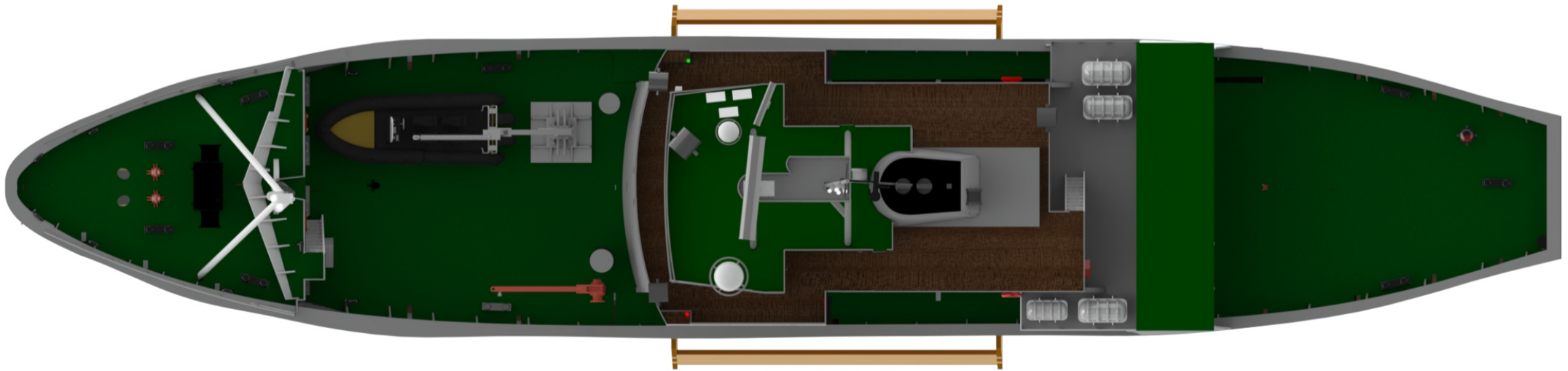
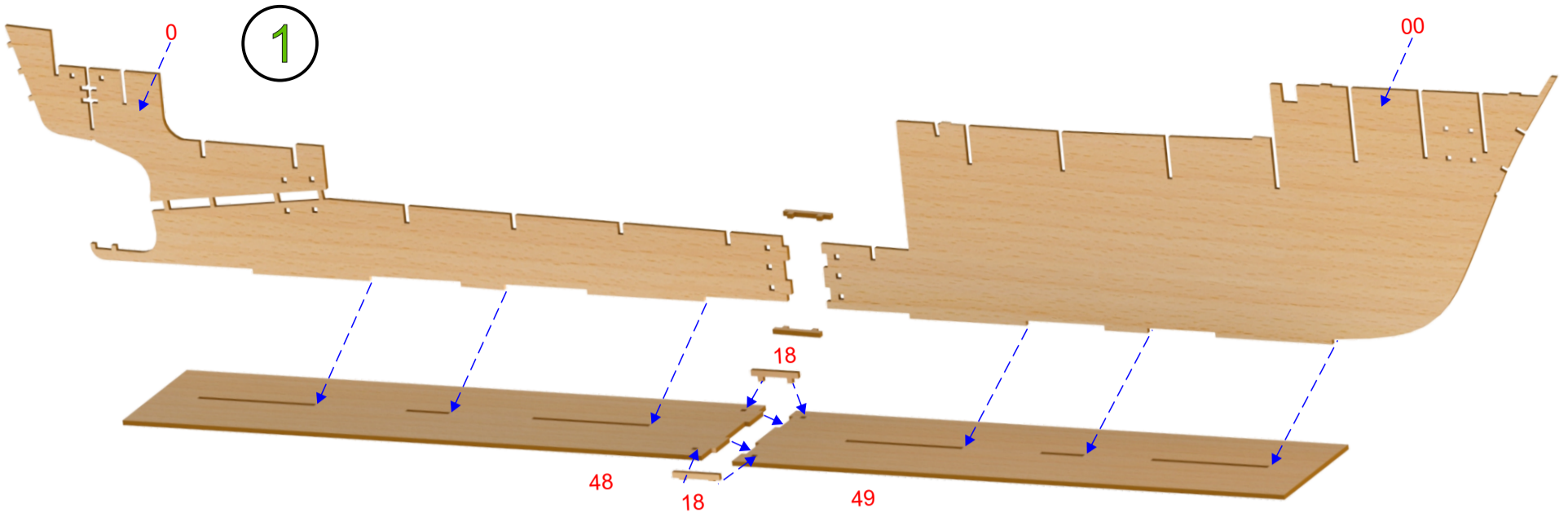




Westra 1/50
"Scottish Fisher Protecting Vessel"

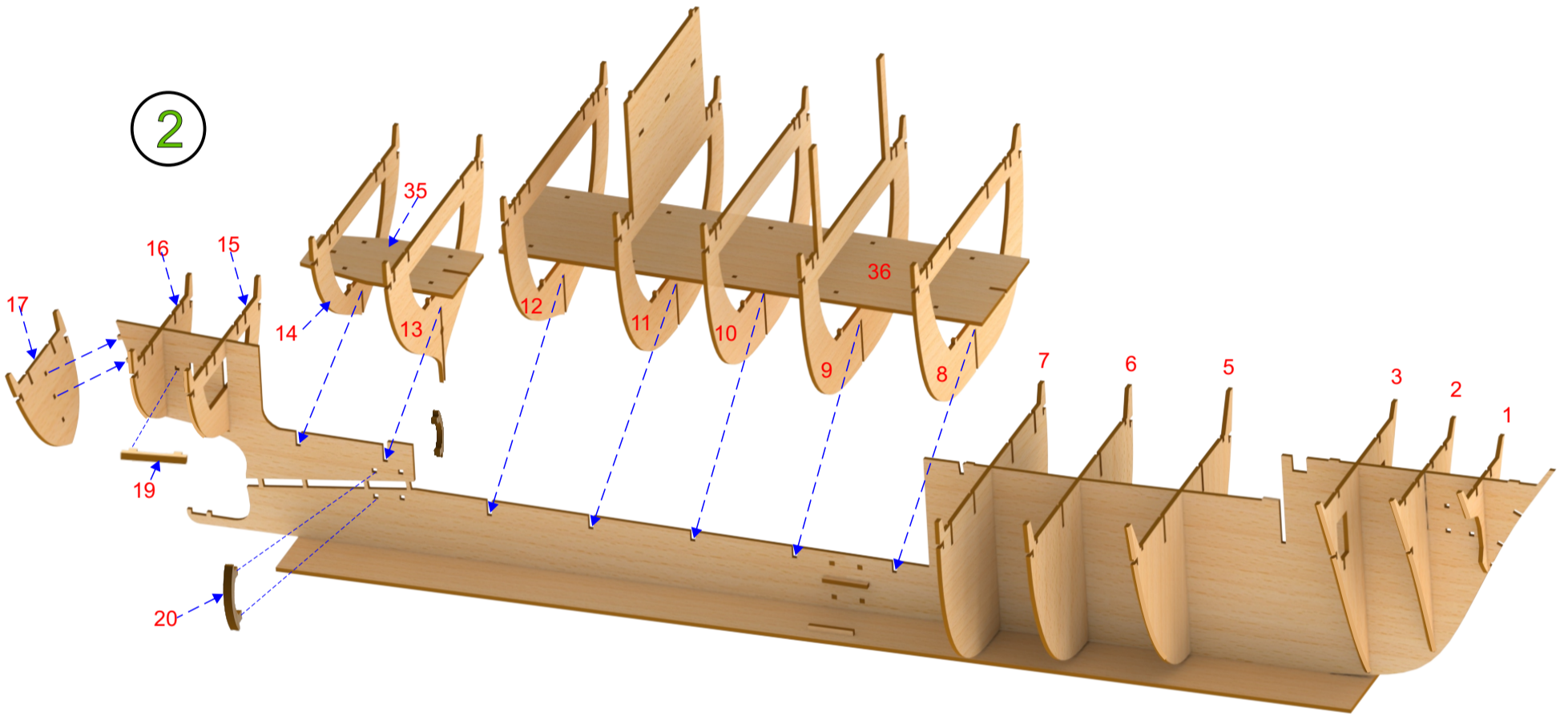
www.turkmodel.net
facebook.com/turkmodel





1

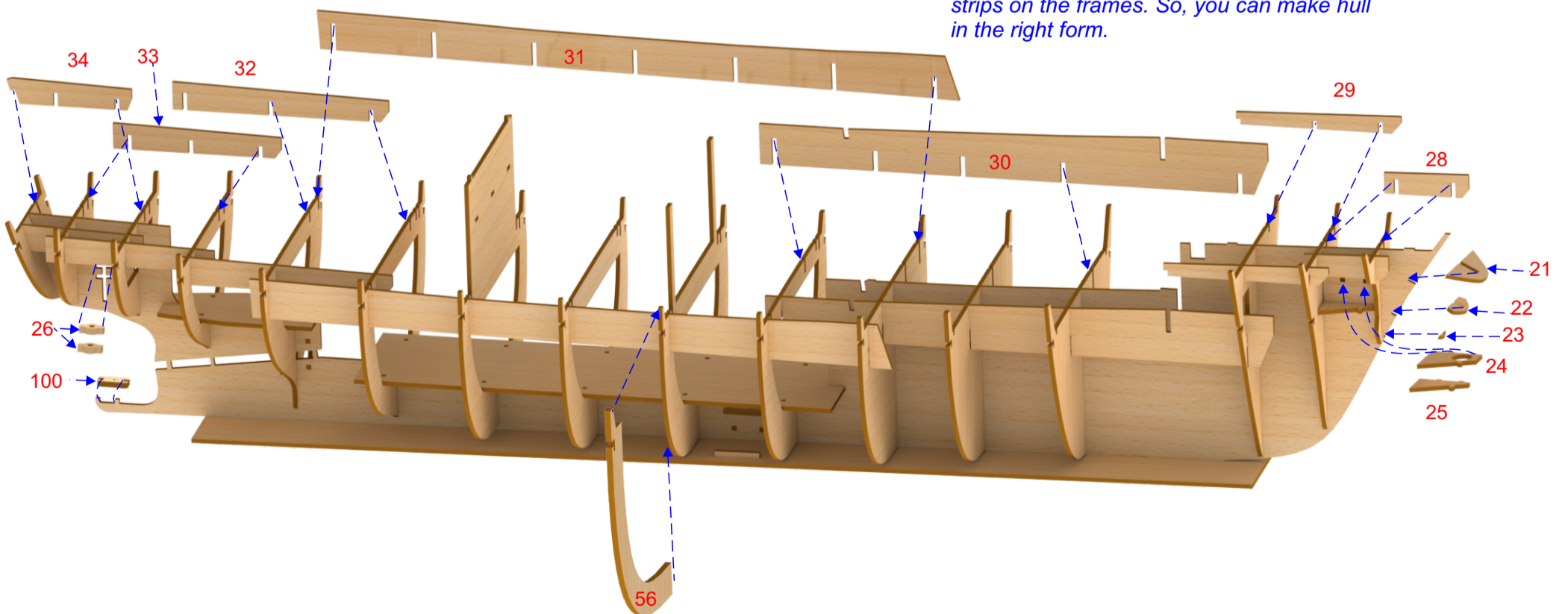
Be sure all parts are placed right before gluing.



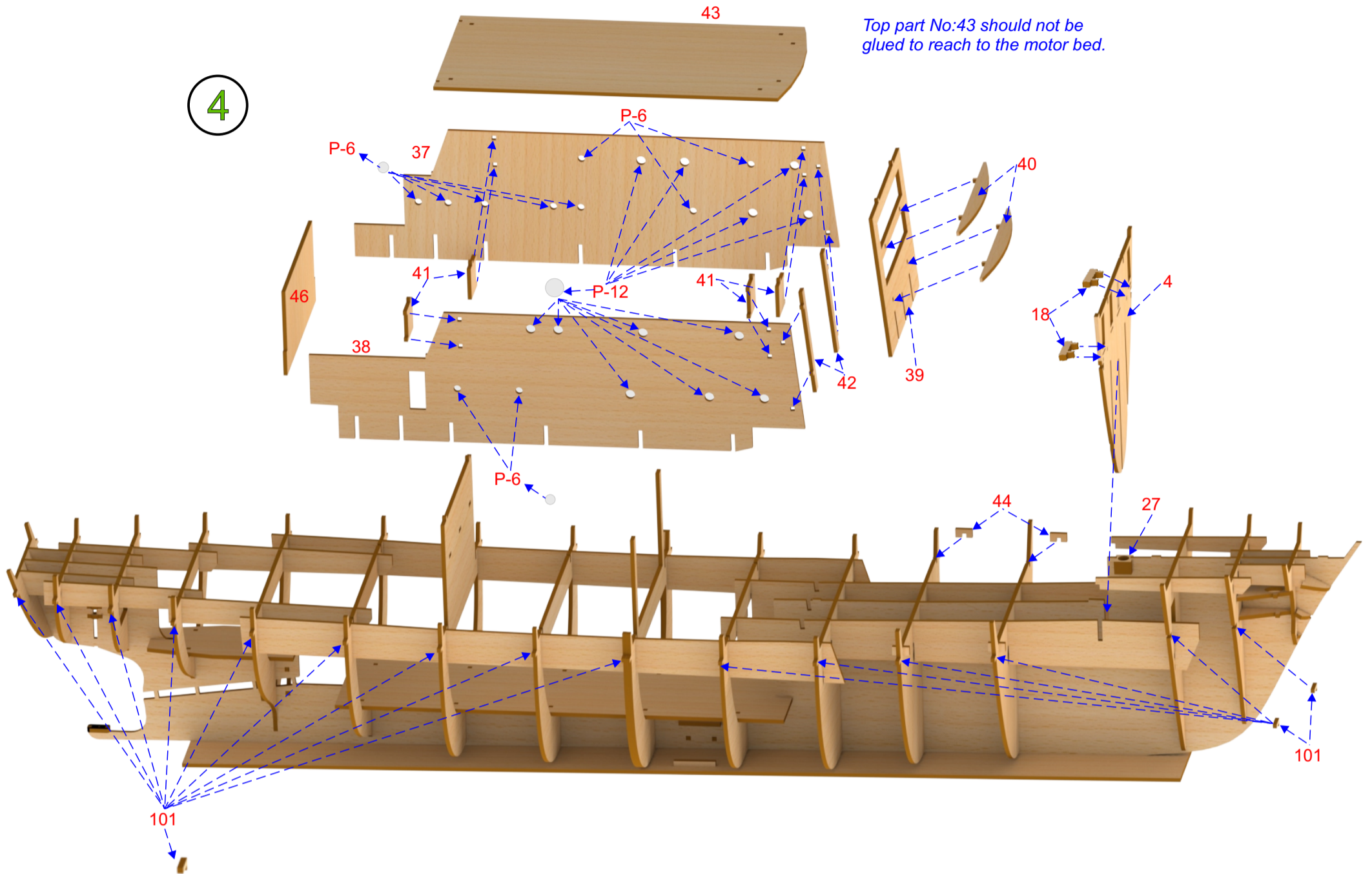
2

3

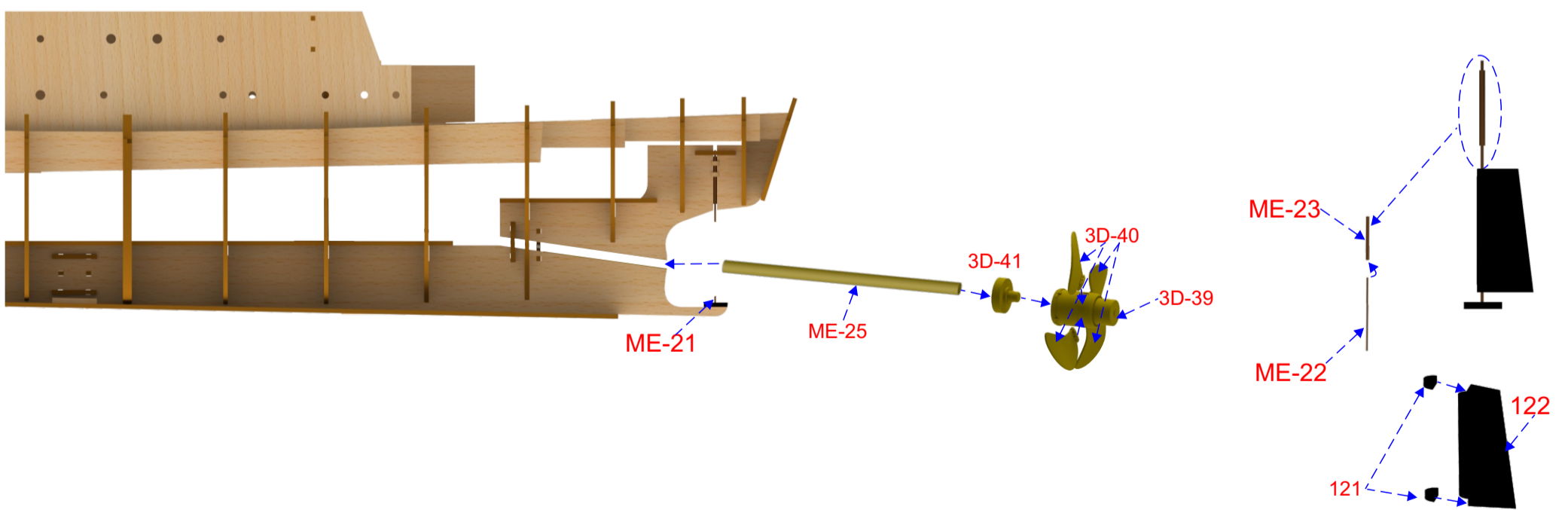
Sand the frame edges to the angle of curving direction to make better contact the cover strips on the frames. So, you can make hull in the right form.



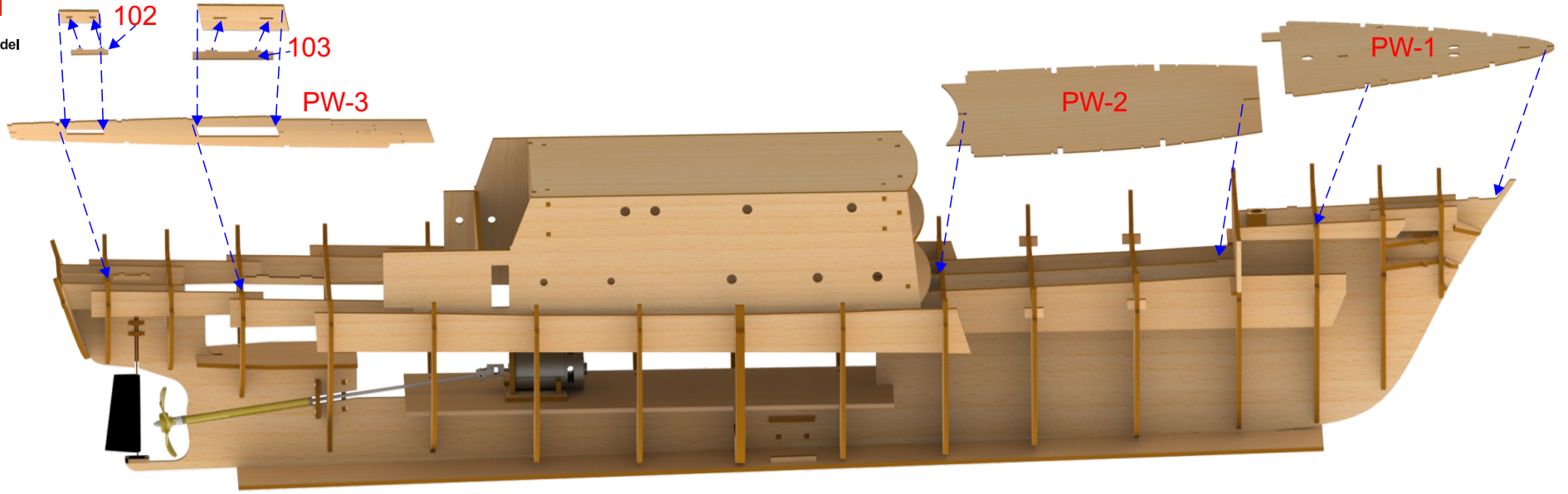
4



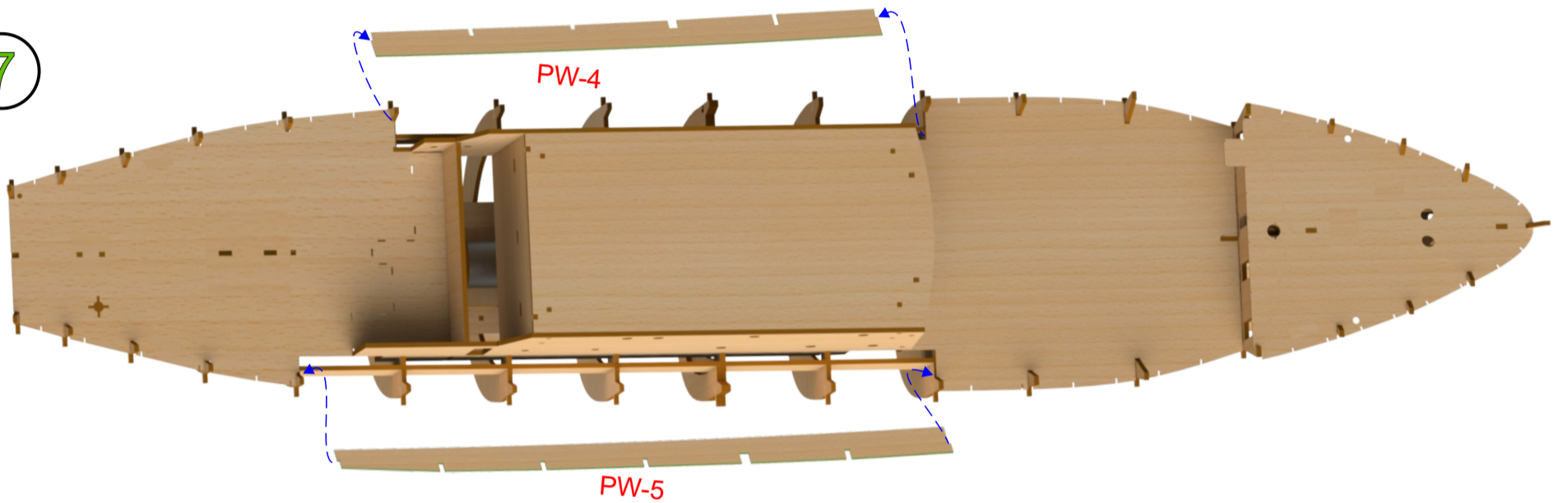
5



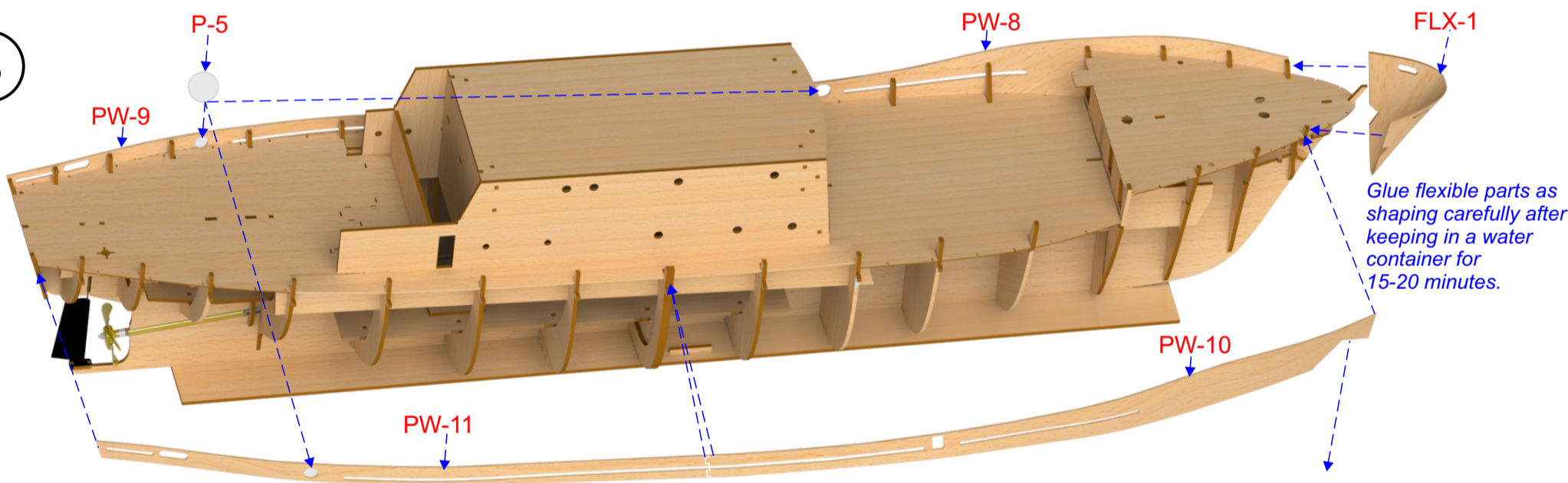
6



7



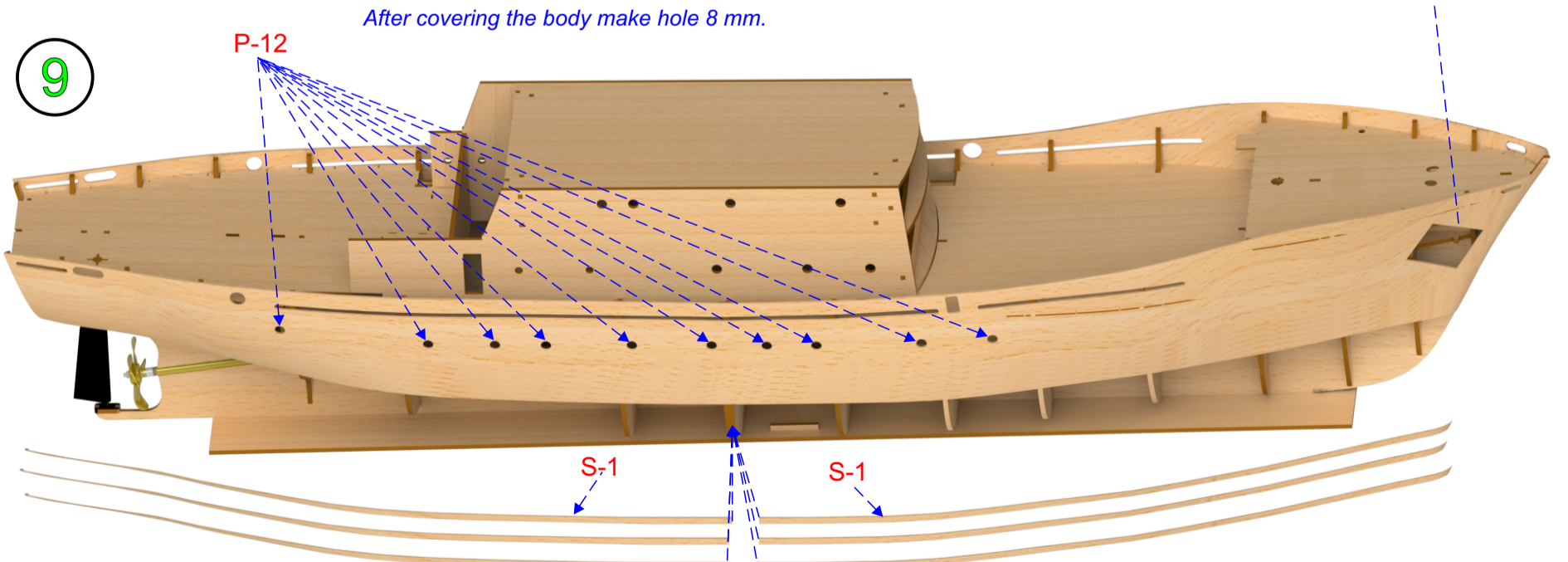
8



Glue flexible parts as shaping carefully after keeping in a water container for 15-20 minutes.

This part for the anchor chamber
Break carefully after the covering process.

9



After covering the body make hole 8 mm.

You can stop the keel bending a side If you cover one strip for each side everytime.



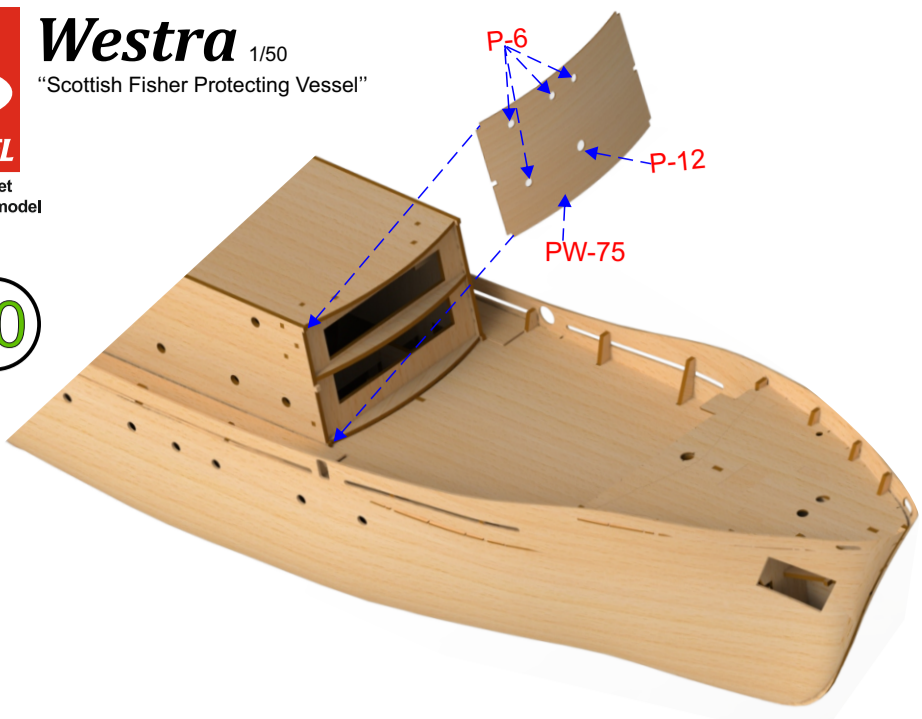
Westra 1/50
"Scottish Fisher Protecting Vessel"

TÜRKMODEL

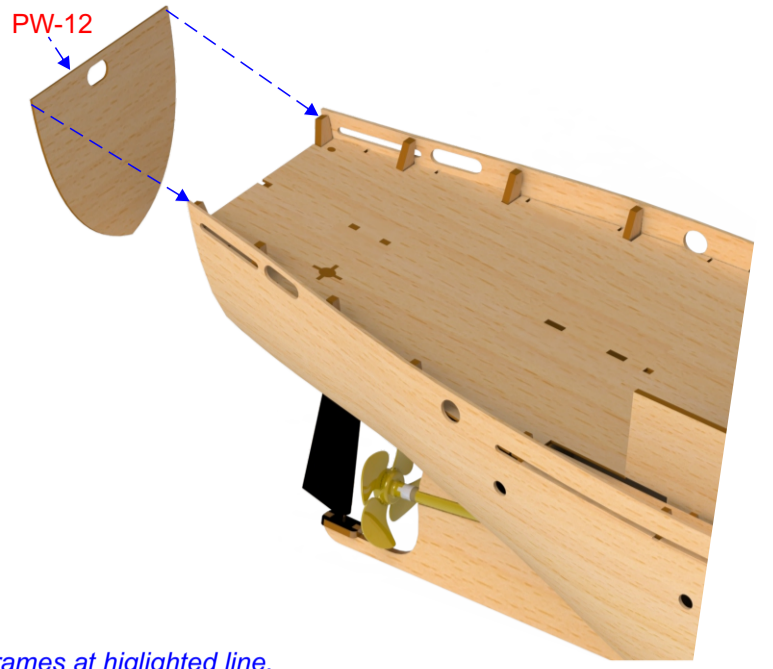
www.turkmodel.net

facebook.com/turkmodel

10



11

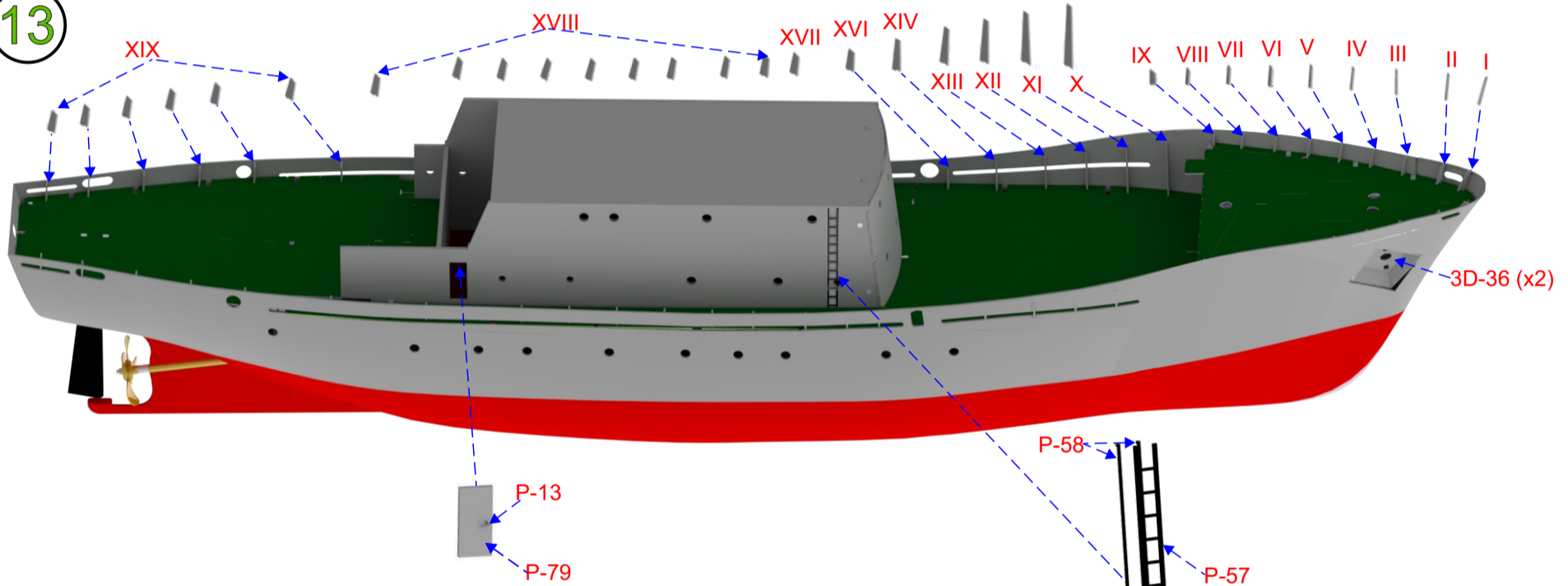


Cut off the frames at highlighted line.

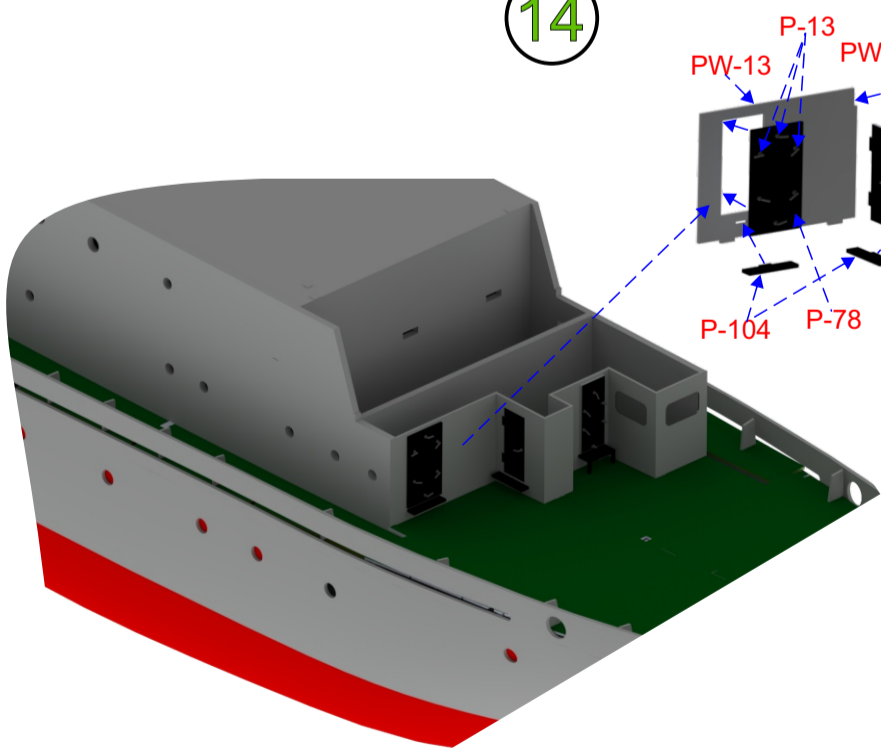
12



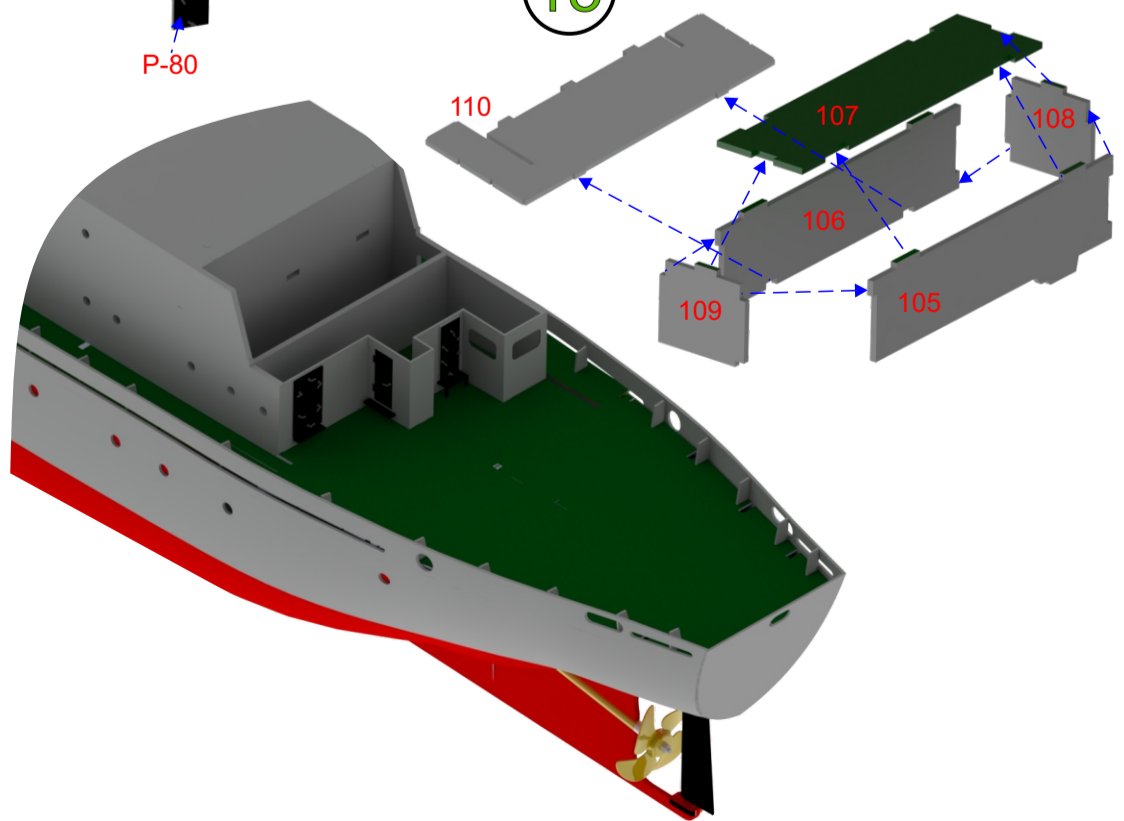
13



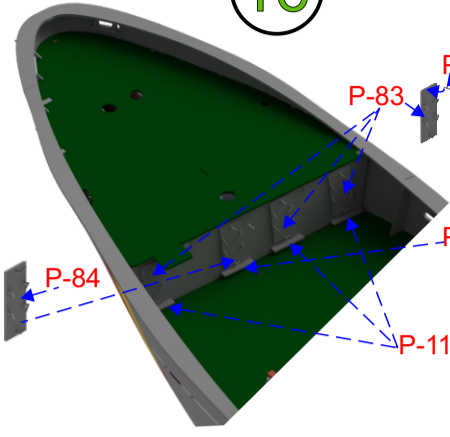
14



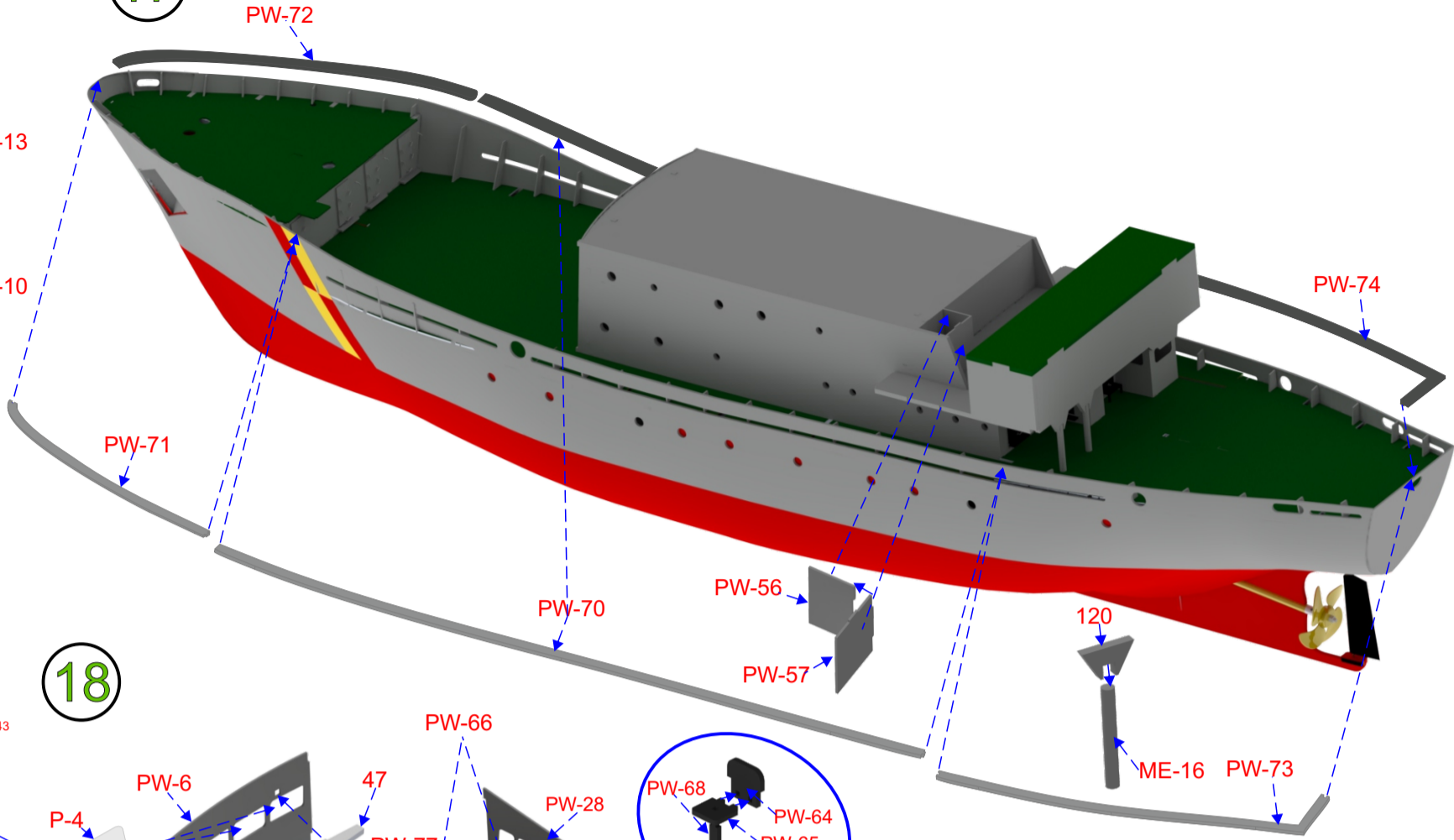
15



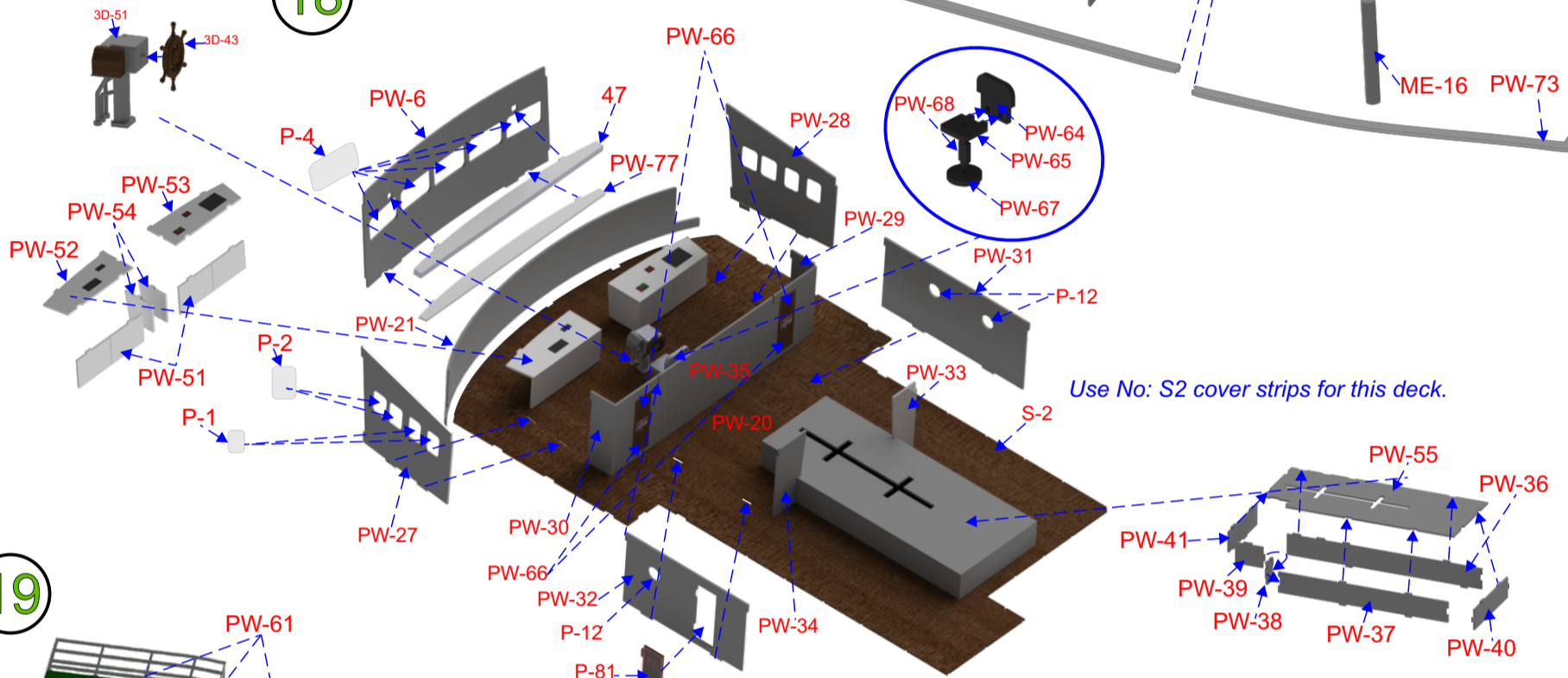
16



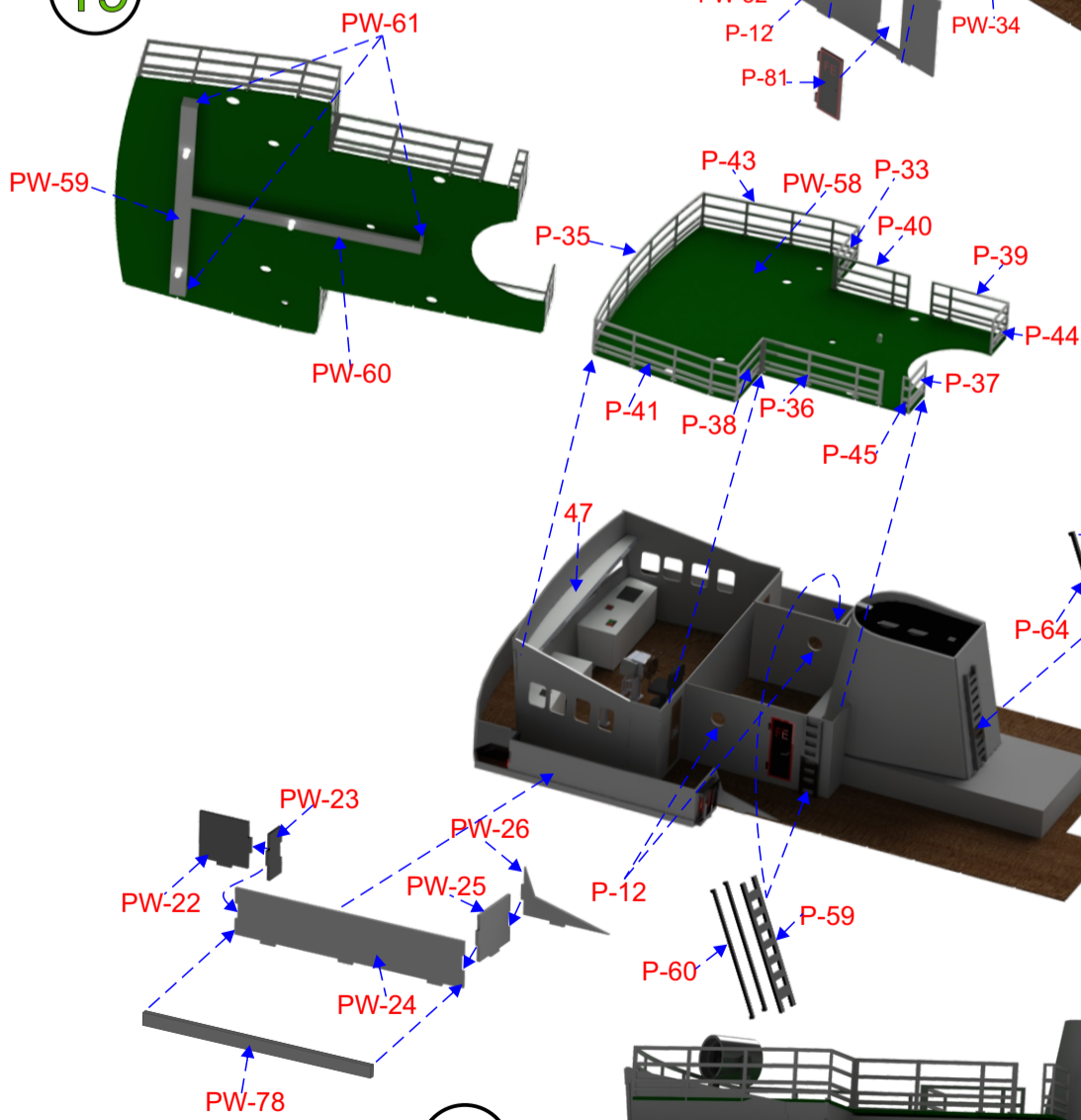
17



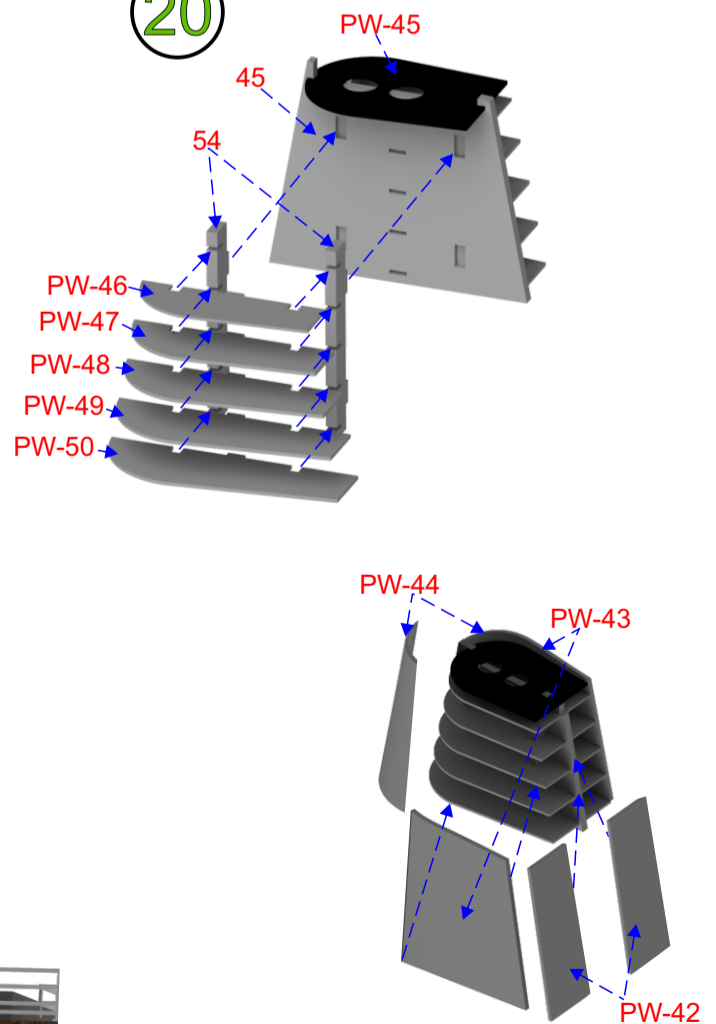
18



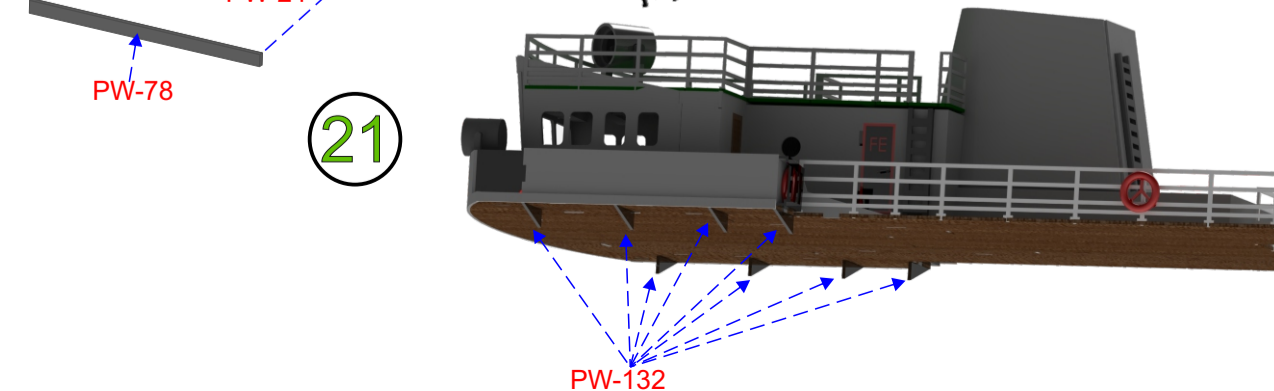
19



20



21



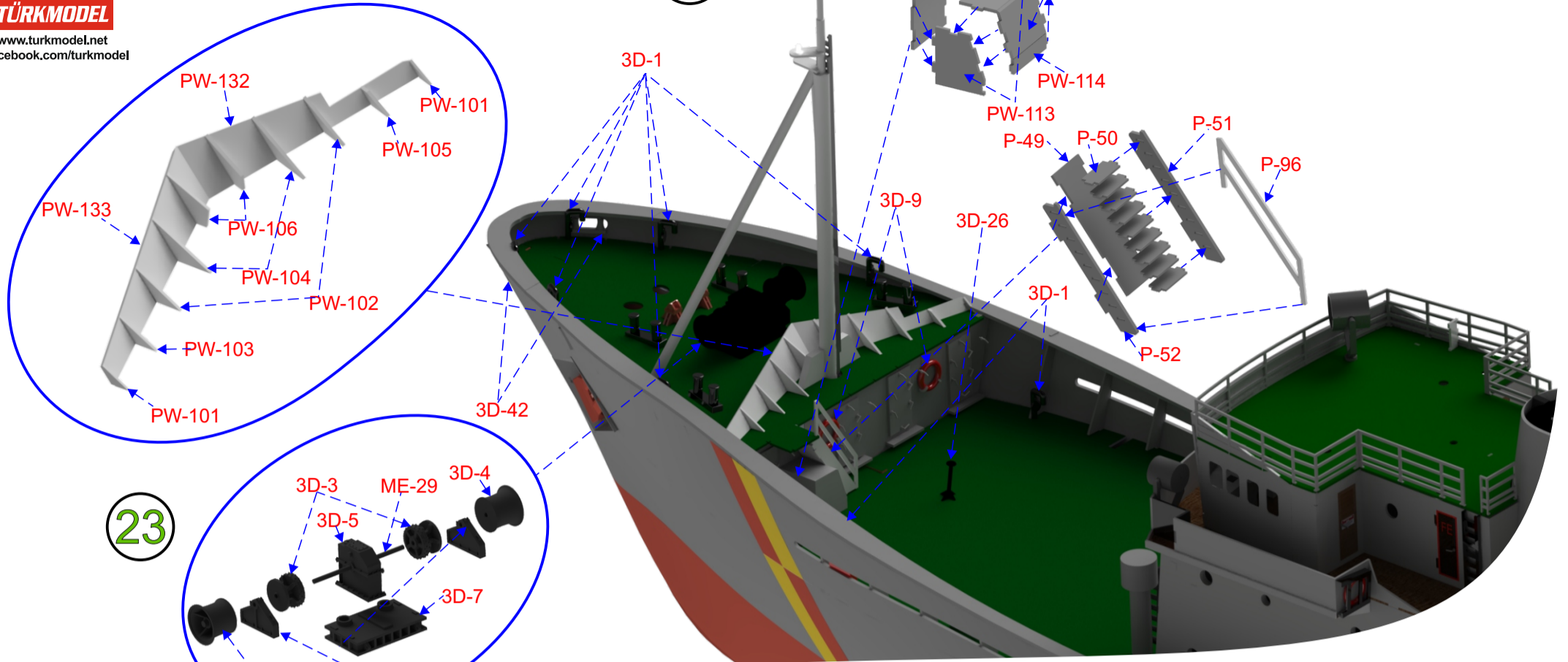


Westra 1/50
 "Scottish Fisher Protecting Vessel"

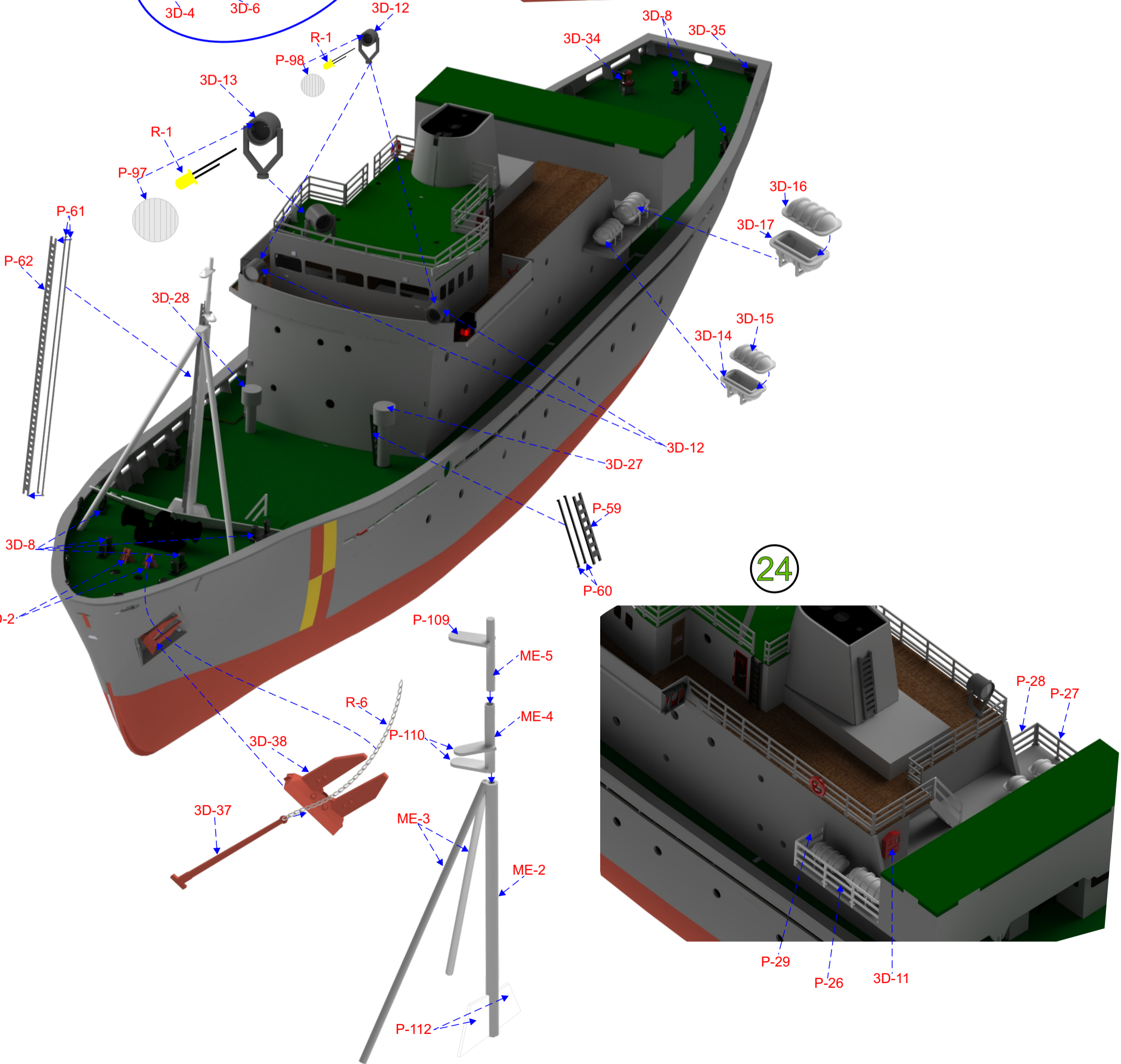
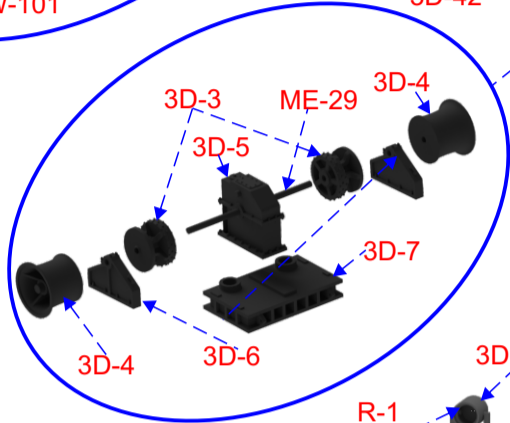
TÜRKMODEL

www.turkmodel.net
 facebook.com/turkmodel

22



23



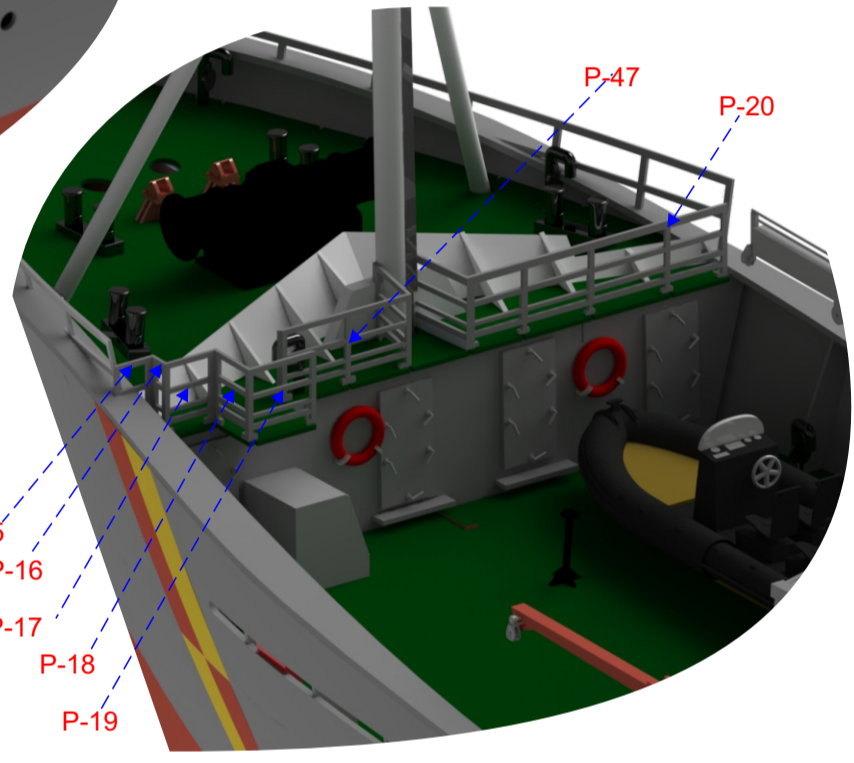
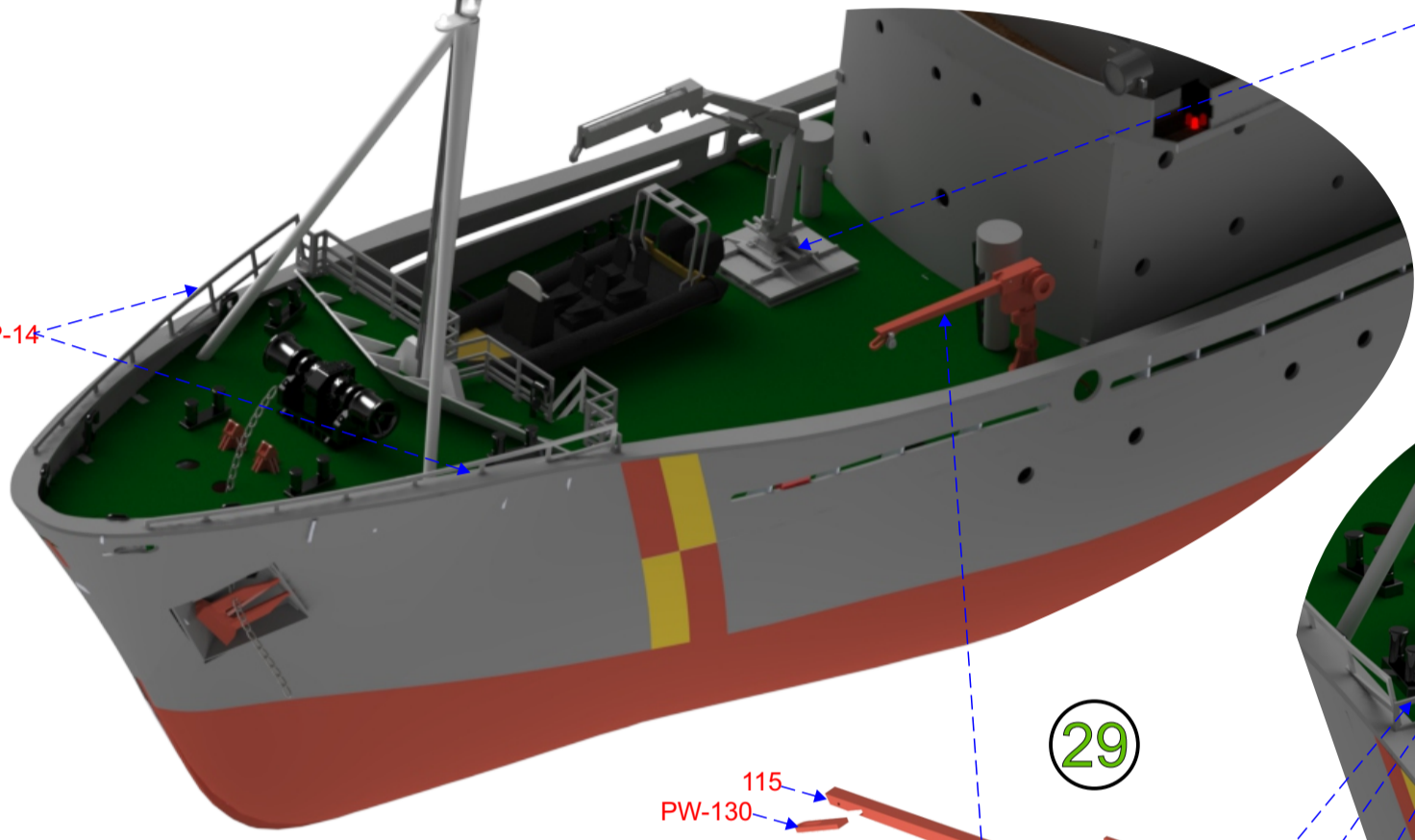
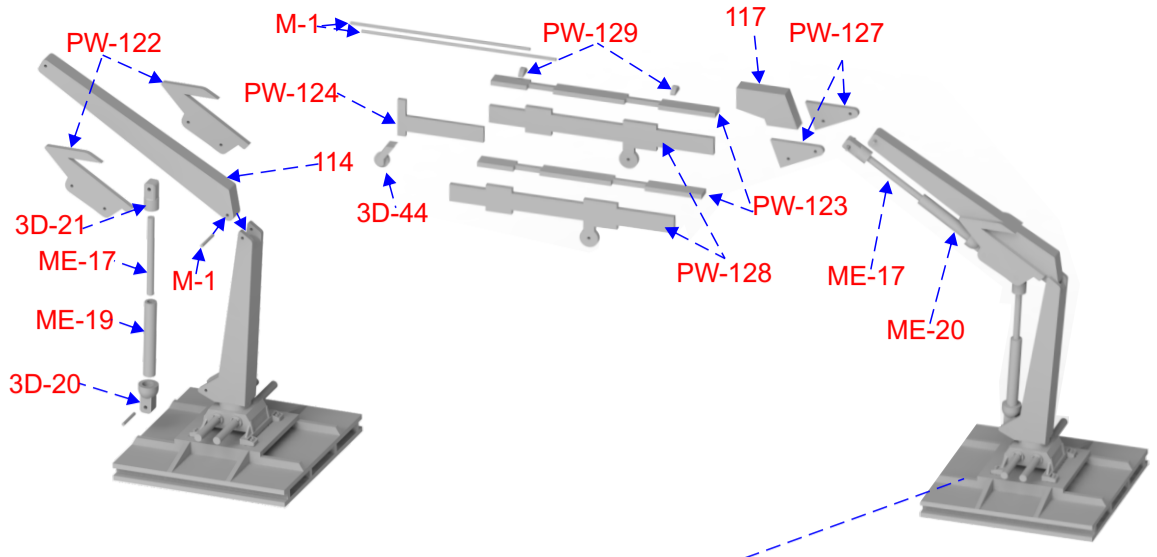
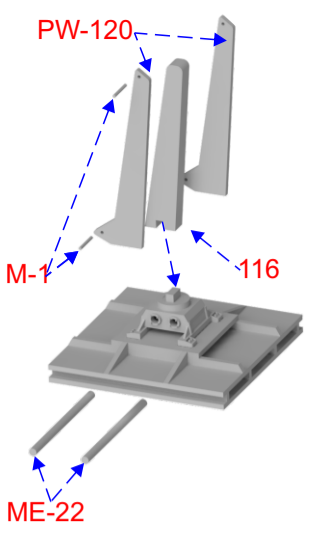
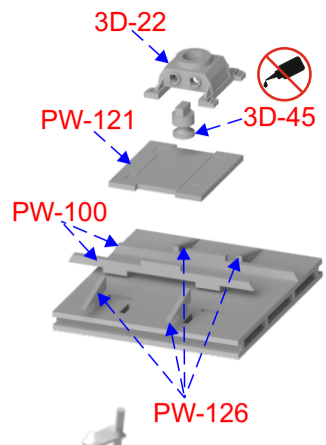
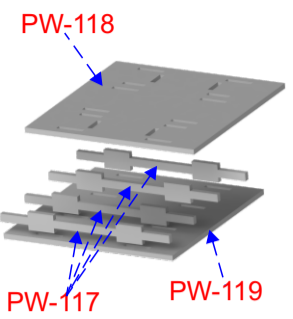
24



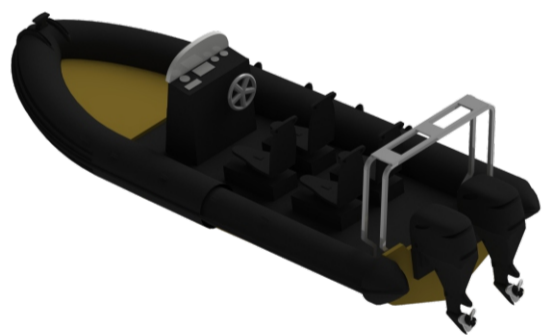
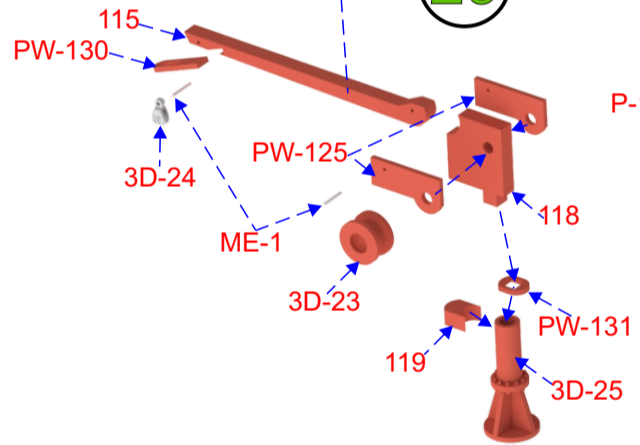
Westra 1/50
"Scottish Fisher Protecting Vessel"

TÜRKMODEL
www.turkmodel.net
facebook.com/turkmodel

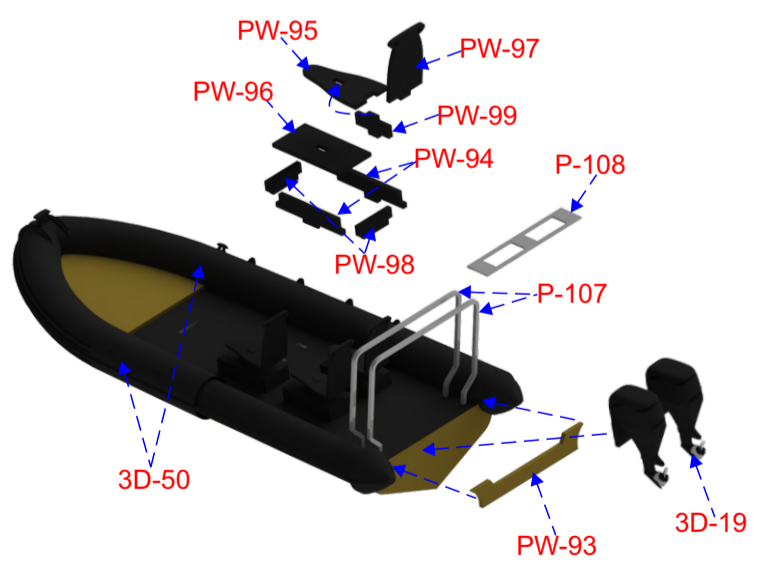
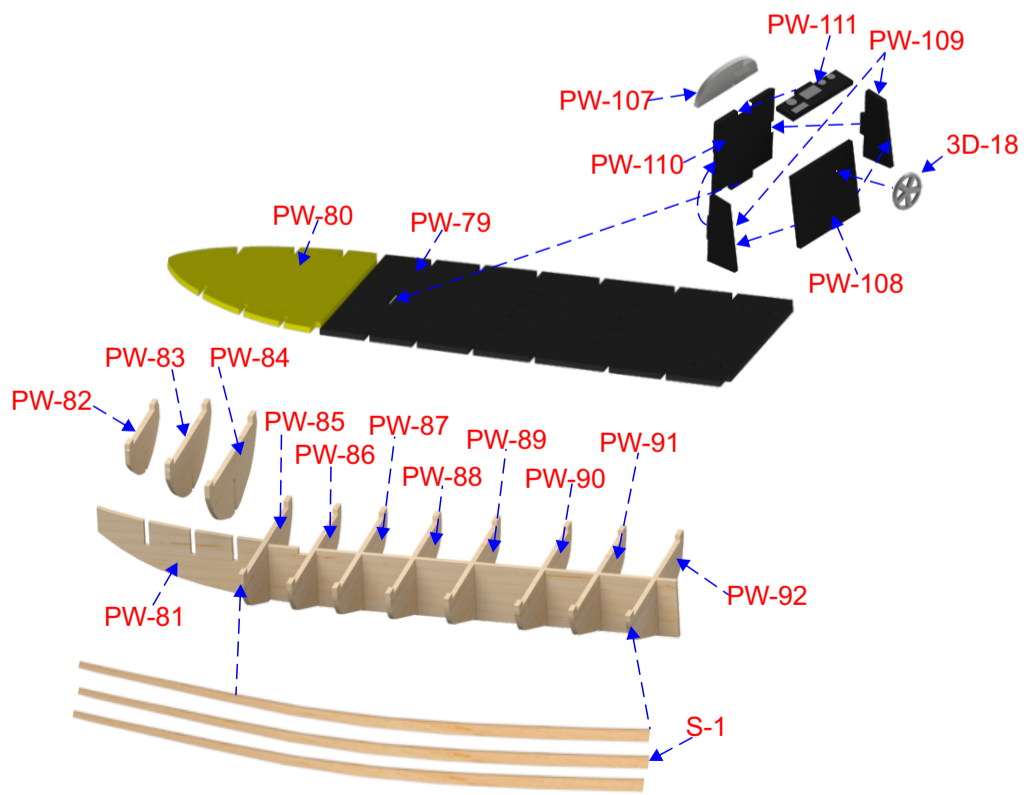
25



29



30

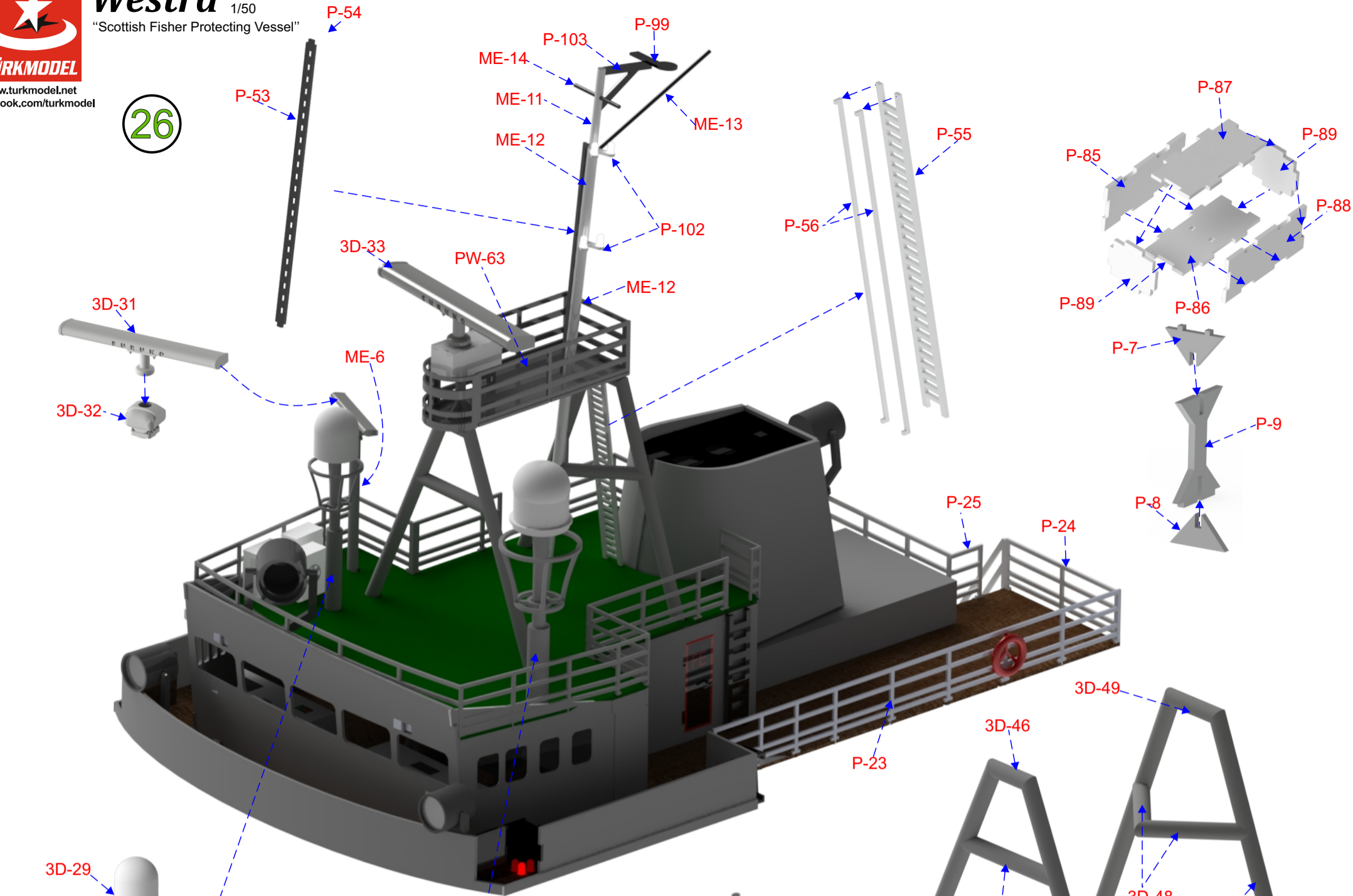




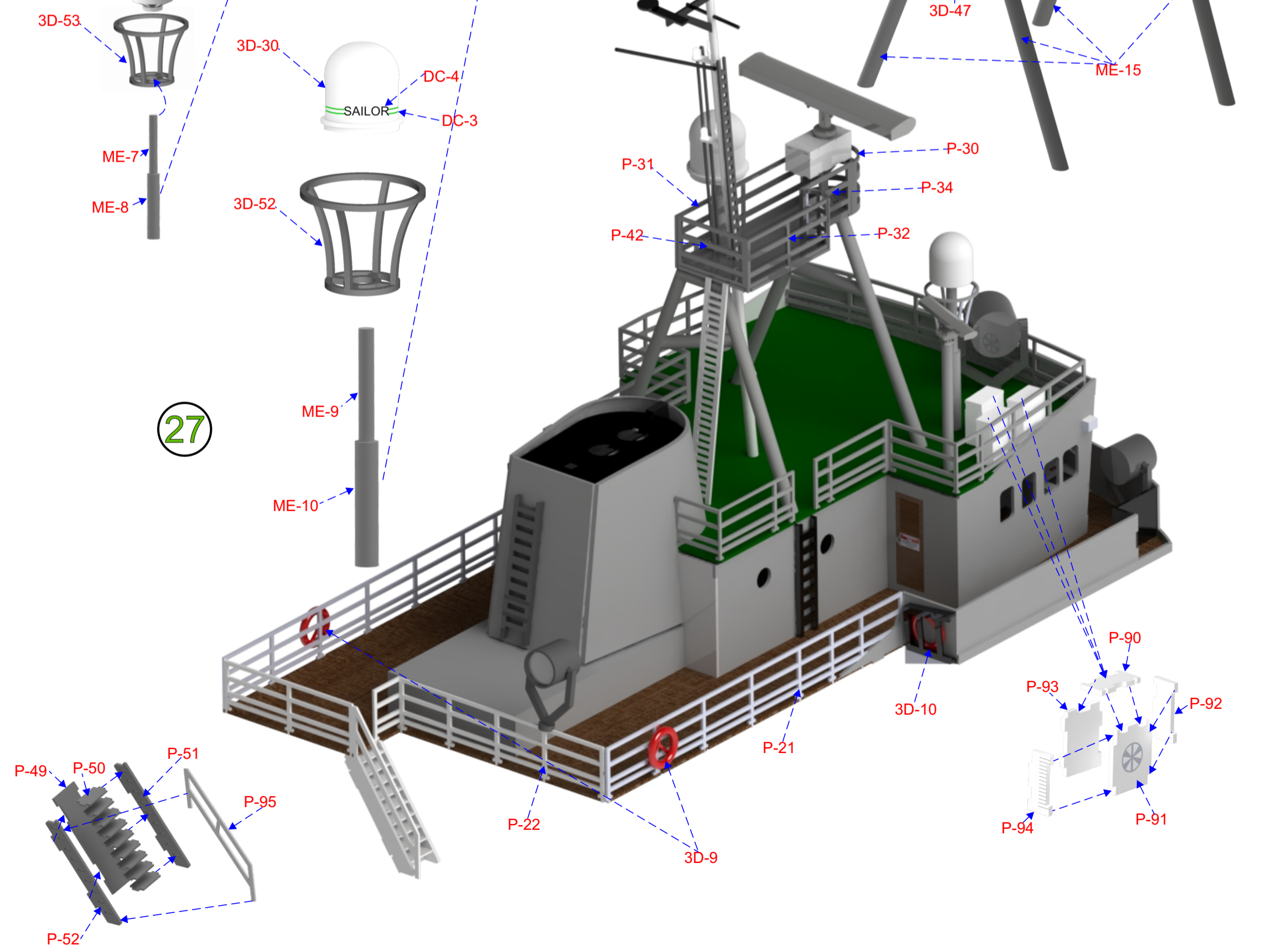
Westra 1/50
"Scottish Fisher Protecting Vessel"

TURKMODEL
www.turkmodel.net
facebook.com/turkmodel

26

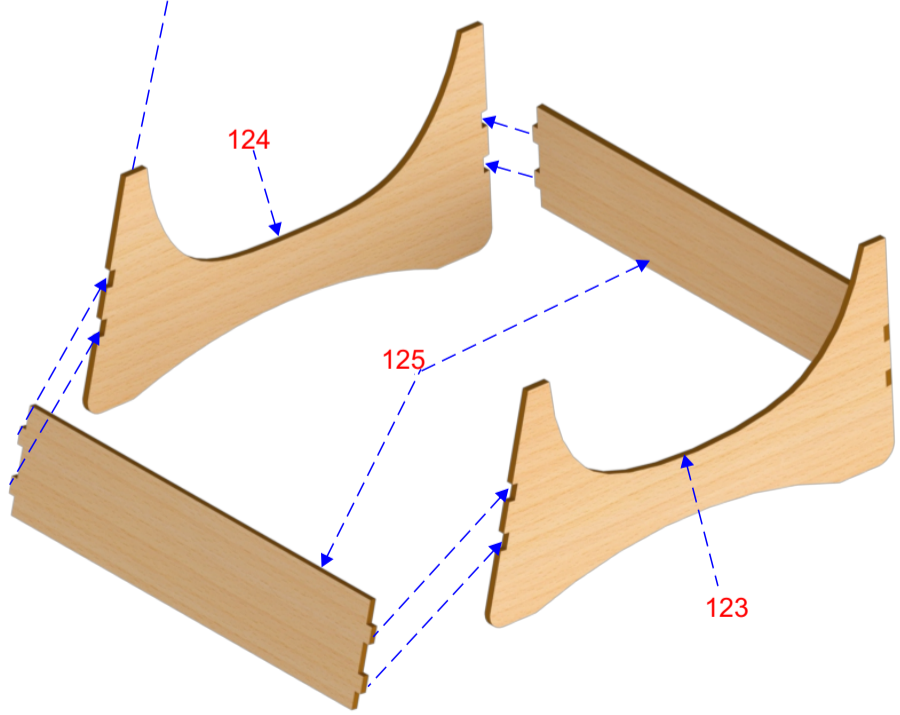
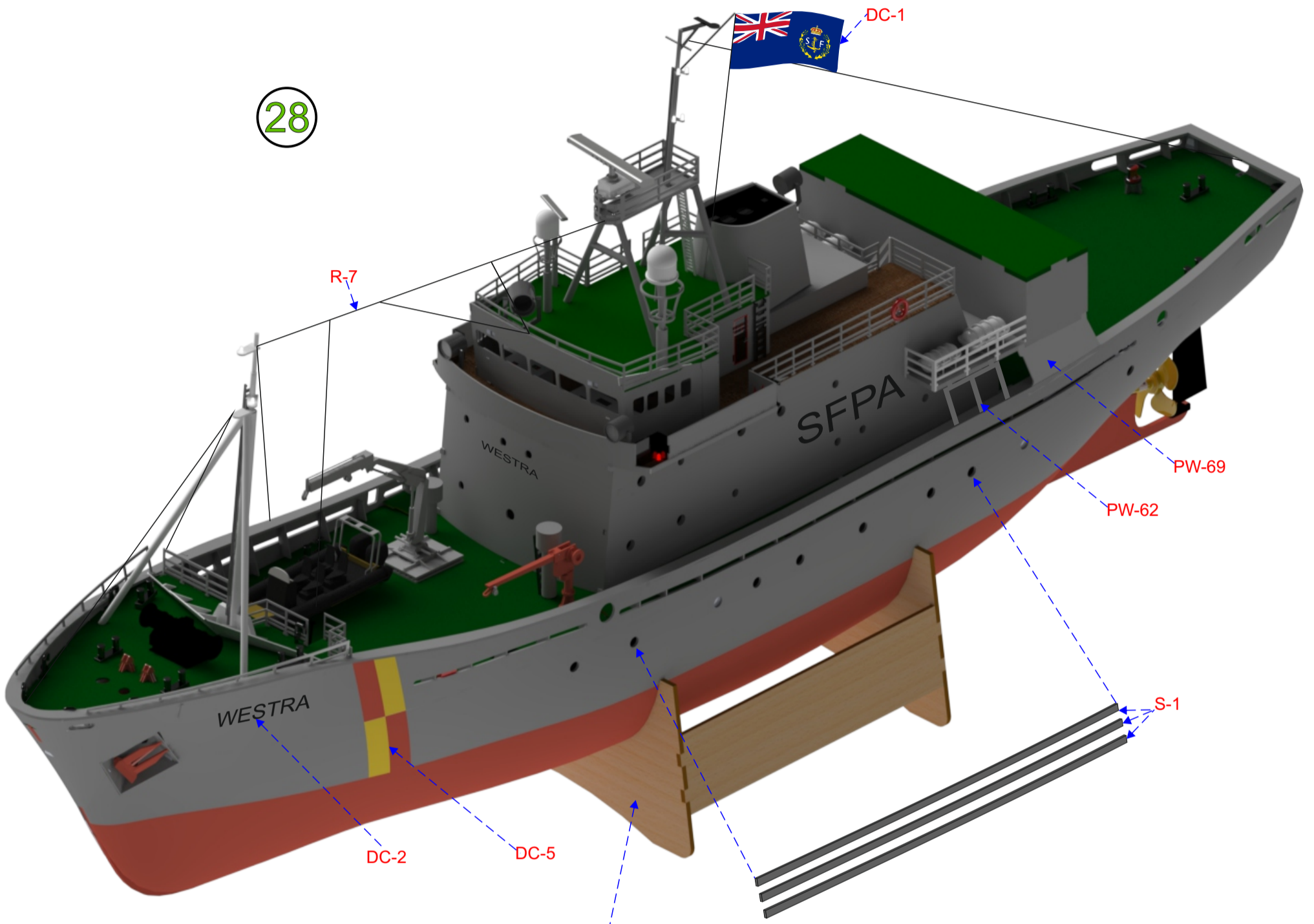


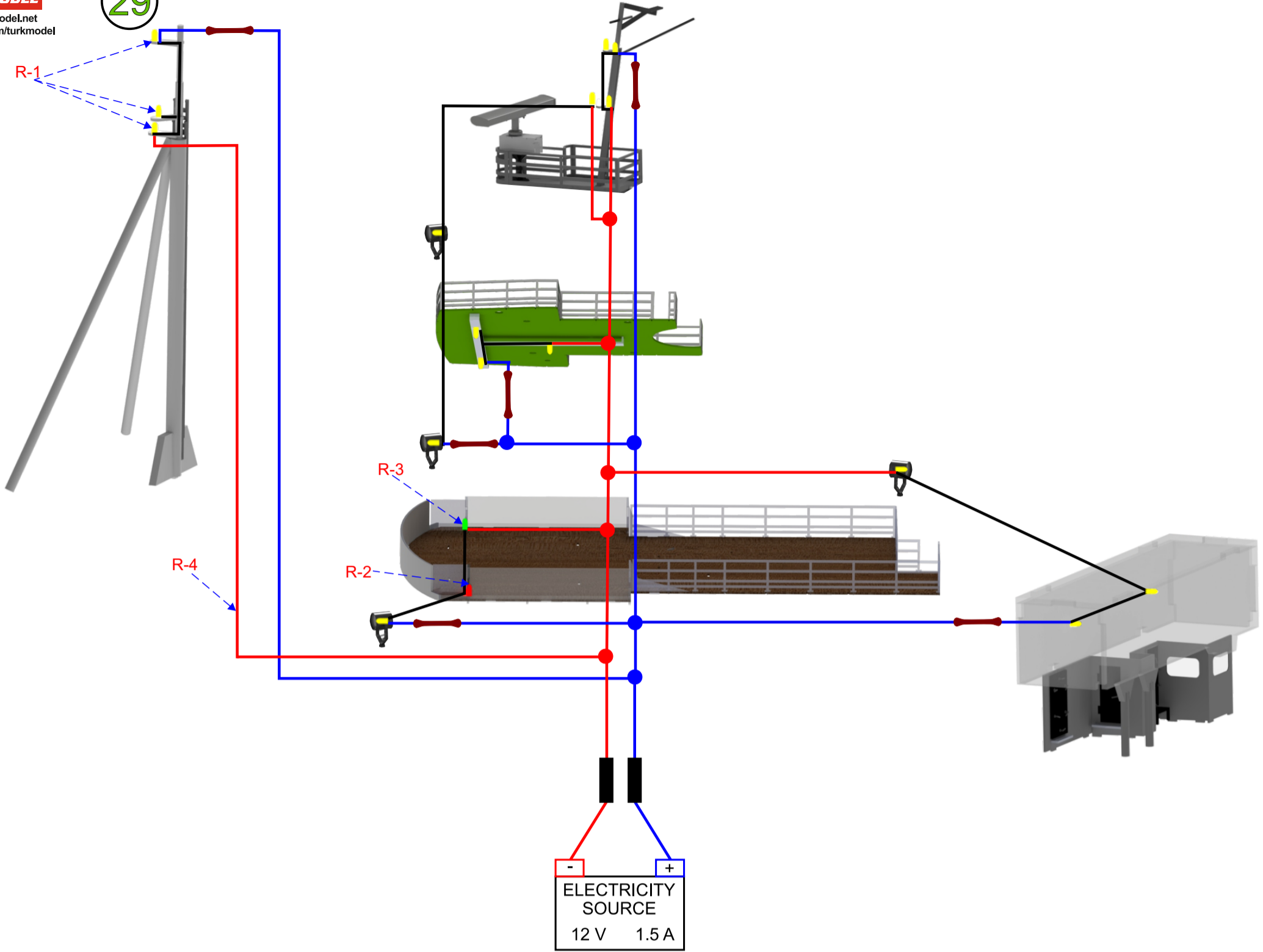
27



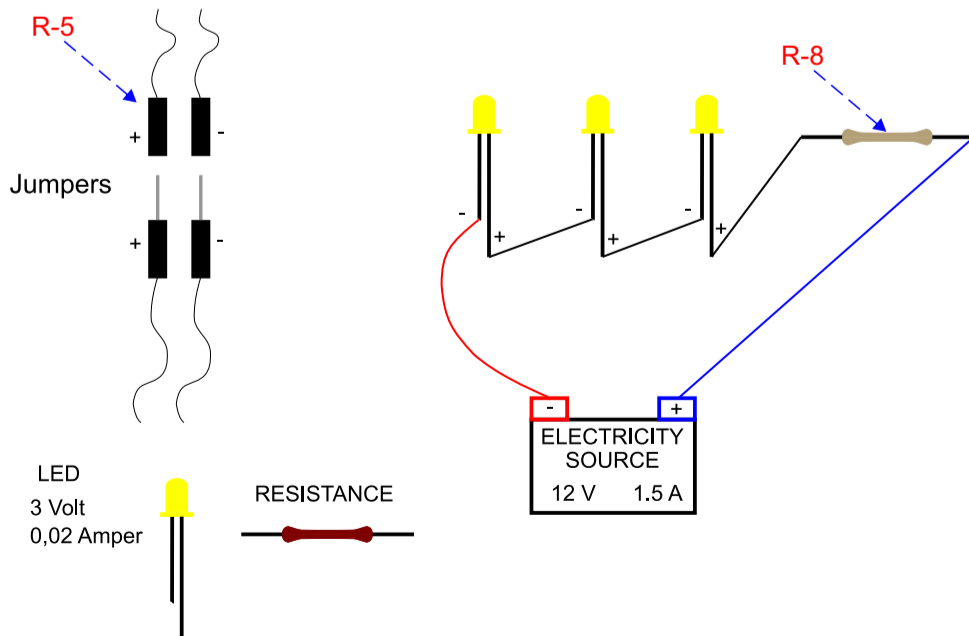


28





LED SET-UP



You will find out how to set lights up in this page. The first rule is each 3 leds connected serial. So, the light sets exist bunch of 3 serials in every deck. Cooper cable is isolated, so when you set it, sand or fire the tips to unisolate. The tip of the resistance is unimportant. Any tip can be connected to the serial leds.

Wherever you would like to put a led, penetrate 3 mm the led platform and place the led into. Then glue the led there but do not use over the glue, just tiny.

Test the leds on every stage If they work properly. If the leds are blinking, the energy source's amper is not enough. If there is no light at all, then check cables these might not be unisolated well or disconnected.

Connect the cables and the other components soldering. If you are not expert on soldering, get and support from an expert.

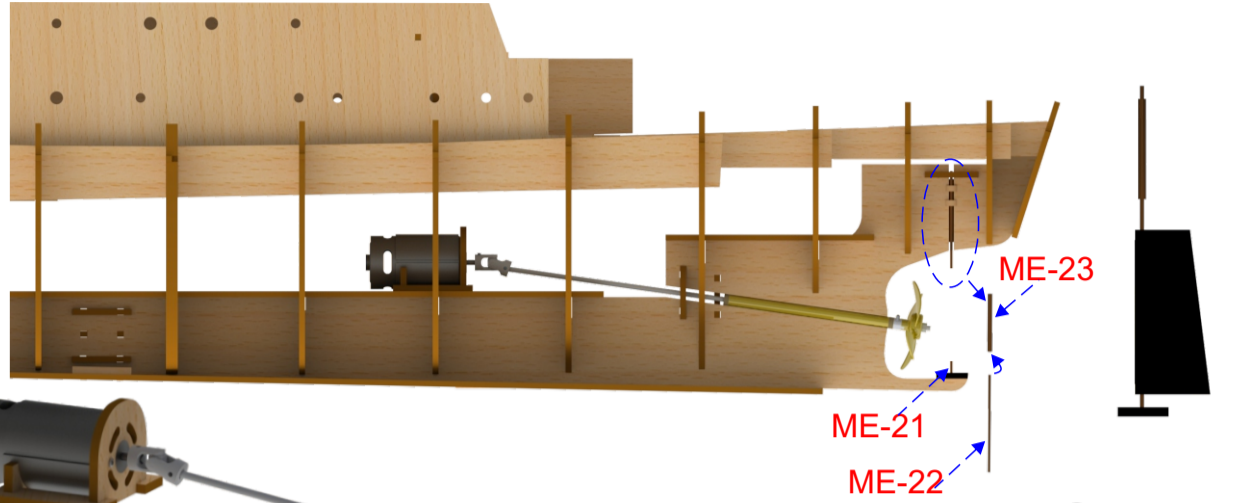
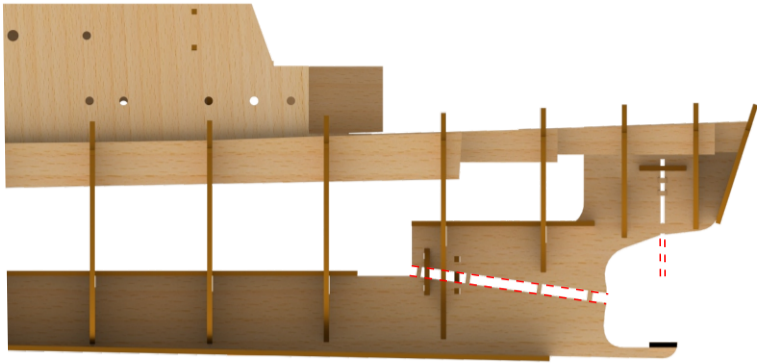
Though the cooper wire is unisolated, it might lose its feature by the time. If they are cross anywhere, put a small separator to keep it away from short circuit.

By the time, some leds might be died. In this situation, test the serial that covers that led and resistance. If you do not have a equipment to test, then just swap those 3 serial leds and resistance with new ones.

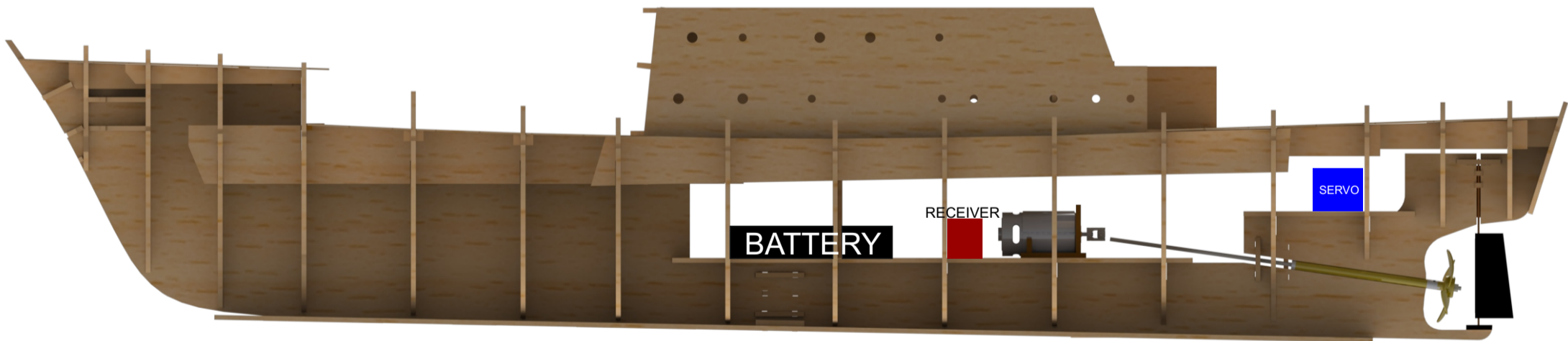
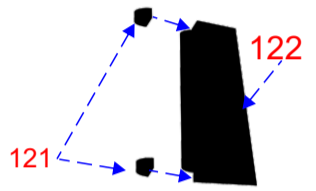
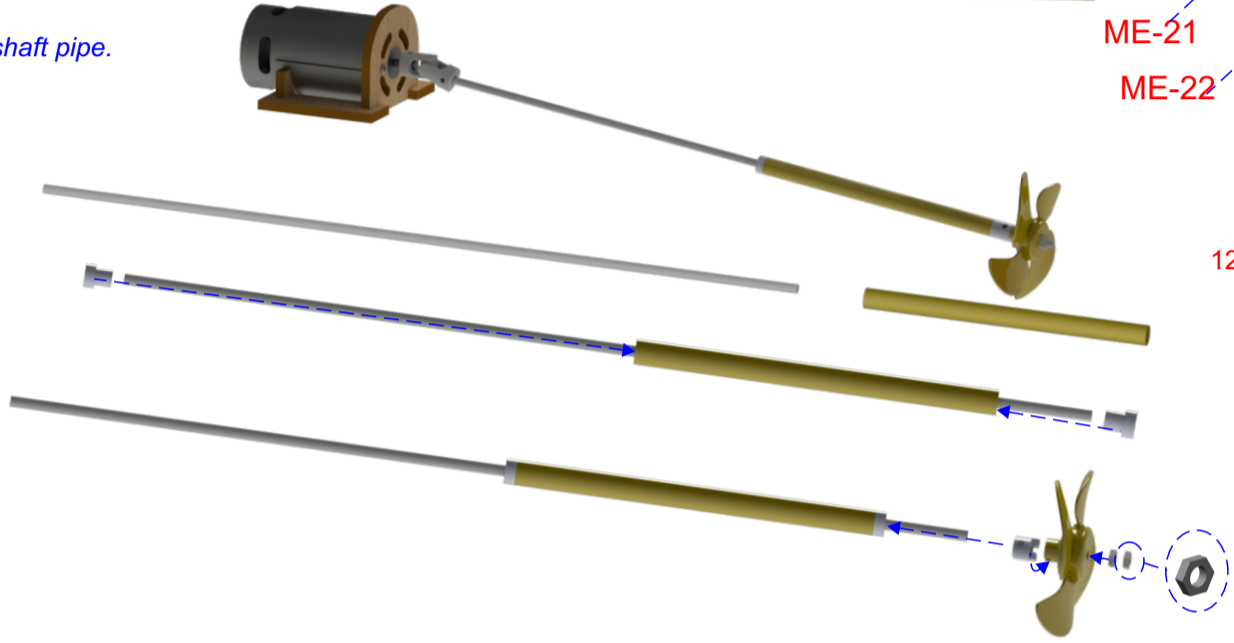
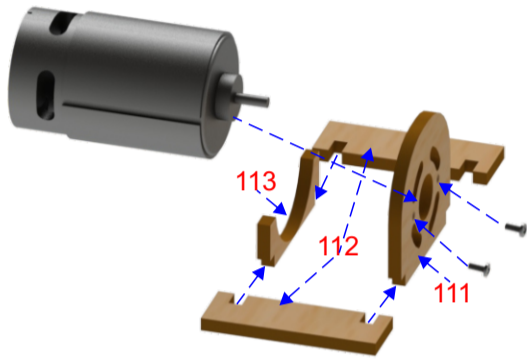
Collect the deck cables into a tip of a jack. The other tip of jack should connected to the energy source. You do this for every deck it might be needed to remove. It is going to make easier to disattach the decks. Easily you will plug off the led connections to make free the decks.

Watch out collecting (+) and (-) will be right.

Pass these stages If you don't build R/C model.
R/C equipment is sold seperatly, not included the kit.



Hammer the bushes after lubricant through the shaft pipe.



- ❖ Please read the instructions carefully before you start to build your model. Take notes if needed. So, you may find out the materials and the tools those you need.
- ❖ Use model knife to take out the parts the plywood sheets. Do not take them out with hand!
- ❖ Change of temperature effects on plywoods quickly. So that, do not release the plywoods. Keep them on a flat surface by putting weight on them.
- ❖ You may stick together the wooden parts easily if you sand the brown areas caused by laser with sand paper.
- ❖ You should use super glue and white glue to stick together the wooden parts and use the super glue for metal parts.
- ❖ Building the keel of your model, before stick the frames, be sure the frames properly seated on the keel. Otherwise you can't build the body of the model rightly. Exactly be sure that left and right side of the frames are compatible and symmetrical.
- ❖ After building the keel of your model, before the covering, you should test the frame edges by a cover strip. You should sand with a piece of sandpaper the frame edges at the right degree to touch the strips on to the surface exactly. The curves are mostly the front and back side of the body.
- ❖ You should keep the strip tips in the bowl filled with water approximately one hour. So that you may curve the strips on the curves easily these are mostly at the end and the front of the hull.
- ❖ You should cover the strip starting from the top for each side symmetrically.
- ❖ You should cut the upper side of the strip when overlap occurs especially at the front curve of the body.
- ❖ To make equal the surface of the body that caused by planking, you should sand with a piece of sandpaper (Firstly you should use thick sandpaper, then you can apply thin sandpaper), . You should fill the gaps after this processing. You may use leftover strips for wide gaps and model putty for small gaps.
- ❖ If you don't want to appear wooden tissue of the body of your model body; first, apply filler undercoat then sand with a thin sandpaper to make it ready to apply putty. Apply putty whole body and sandpaper again. Apply one more coat filler undercoat and sandpaper. You should not use very thick sandpaper to sand the putty and filler undercoat. You should repeat this process until you get the results as you want. You should apply undercoat paint to find out if any mistake appears at the body. The body gets ready for painting after these applications. You may use model brushes for filler coating. In order to understand whether the materials (such paint, filler, undercoat, varnish, etc.) are compatible with each other, you should test on the unnecessary parts.
- ❖ Some of the model's logo, name or the number are produced from decal paper. You should keep them in a bowl filled with warm water for two or three minutes. You should apply them to their places while releasing from their paper. You may attach easily If you apply gloss varnish to the place before applying the decals. You may apply matt, gloss or satin varnish after this application preferably.
- ❖ You should keep your model away from direct sunlight, heat and moist to avoid deformation in the course of time.

WESTRA PART LIST

NO	QUANTITY	DESCRIPTION	Material	TYPE
00-0	2	Keel	4 mm	Plywood
1...17	17	Frames	4 mm	Plywood
18...20	8	Keel Fixers	4 mm	Plywood
21...23	3	Nose Parts	4 mm	Plywood
24-25	4	Anchor House Back Parts	4 mm	Plywood
26	2	Shaft Pipe House	4 mm	Plywood
27	3	Main Post Parts	4 mm	Plywood
28...34	14	Frames Fixers	4 mm	Plywood
35-36	2	Base Parts	4 mm	Plywood
37-38	2	Side Wall	4 mm	Plywood
39-40	3	Front Wall Supports	4 mm	Plywood
41-42	6	Side Wall Supports	4 mm	Plywood
43	1	Up Wall	4 mm	Plywood
44	4	Deck Supports	4 mm	Plywood
45	1	Funnel Main Part	4 mm	Plywood
46	1	Back Wall	4 mm	Plywood
47	1	Captain Cabin Support	4 mm	Plywood
54	4	Funnel Parts	4 mm	Plywood
56	2	Support Frames	4 mm	Plywood
100	1	Shaft Wire House	4 mm	Plywood
101	34	Panel Supports	4 mm	Plywood
102-103	3	Back Deck Supports	4 mm	Plywood
105...110	6	Back Kabin	4 mm	Plywood
111...113	4	Engine House	4 mm	Plywood
114	1	Main Winch Supports	4 mm	Plywood
115	1	Secondary Winch Supports	4 mm	Plywood
116...117	2	Main Winch Supports	4 mm	Plywood
118-119	2	Secondary Winch Parts	4 mm	Plywood
120	2	Back Cabin Leg Parts	4 mm	Plywood
121-122	3	Rudder Parts	4 mm	Plywood
123-125	4	Base Parts	4 mm	Plywood
PW-1	1	Front Deck	1,5 mm	Plywood
PW2	1	Middle Deck	1,5 mm	Plywood
PW3	1	Back Deck	1,5 mm	Plywood
PW4-5	2	Side Decks	1,5 mm	Plywood
PW6	1	Captain Cabin Front Panel	1,5 mm	Plywood
PW8...11	4	Panels	1,5 mm	Plywood
PW12	1	Panel	1,5 mm	Plywood
PW13...19	7	Back Rooms	1,5 mm	Plywood
PW20	1	Up Deck	1,5 mm	Plywood
PW21	1	Up Front Panel	1,5 mm	Plywood
PW22...26	10	Captain Cabin Side Parts	1,5 mm	Plywood
PW27...35	7	Captain Cabin Parts	1,5 mm	Plywood
PW36...41	6	Funnel Lower Parts	1,5 mm	Plywood
PW42...50	17	Funnel Parts	1,5 mm	Plywood
PW51...54	6	Captain Cabin Control Panel	1,5 mm	Plywood
PW55	1	Funnel Up Part	1,5 mm	Plywood
PW56-57	2	Back Room Parts	1,5 mm	Plywood
PW58	1	Captain Cabin Up Parts	1,5 mm	Plywood
PW59...61	5	Led Supports	1,5 mm	Plywood

NO	QUANTITY	DESCRIPTION	Material	TYPE
PW62	2	Back Side Panel	1,5 mm	Plywood
PW63	1	Radar Lower Deck	1,5 mm	Plywood
PW66	2	Captain Cabin Doors	1,5 mm	Plywood
PW64-65-67-68	4	Captain Cabin Chair	1,5 mm	Plywood
PW69	2	Back Side Panel	1,5 mm	Plywood
PW70...74	6	Rails	1,5 mm	Plywood
PW75	1	Front Panel	1,5 mm	Plywood
PW77	1	Captain Cabin Supports	1,5 mm	Plywood
PW78	2	Up Deck Side Support	1,5 mm	Plywood
PW79...99	54	Zodiac Parts	1,5 mm	Plywood
PW100	2	Winch Base Parts	1,5 mm	Plywood
PW101...106	10	Dashboard	1,5 mm	Plywood
PW107...111	7	Zodiac Wheel House	1,5 mm	Plywood
PW112...116	5	Front Cabin	1,5 mm	Plywood
PW117...124	14	Main Winch Parts	1,5 mm	Plywood
PW125-130-131	4	Secondary Winch Parts	1,5 mm	Plywood
PW126...129	10	Main Winch Parts	1,5 mm	Plywood
PW132	1	Dashboard Parts	1,5 mm	Plywood
PW133	1	Dashboard Parts	1,5 mm	Plywood
I...XIX	68	Panel Supports	1,5 mm	Plywood
FLX-1	1	Nose Parts	1 mm	Plywood
S1	130	Cover Strips	1.6x5.5x650 mm	Strips
S2	50	Secondary Cover Strips	0.5x4x350 mm	Strips
ME-1	1	Flat Wire	0,8x1000 mm	Metal
ME-2	1	Front Deck Main Post	8x200 mm	Metal
ME-3	2	Front Deck Main Side Post	5x190 mm	Metal
ME-4	1	Front Deck Main Up Wire-1	6x40 mm	Metal
ME-5	1	Front Deck Main Up Wire-2	4x40 mm	Metal
ME-6	1	Small Radar Wire	4x50 mm	Metal
ME-7	1	Ball Small Radar Wire	4x30 mm	Metal
ME-8	1	Ball Small Radar Pipe	6x32 mm	Metal
ME-9	1	Ball Large Radar Wire	5x40 mm	Metal
ME-10	1	Ball Large Radar Pipe	7x32 mm	Metal
ME-11	1	Up Deck Wire-1	3x30 mm	Metal
ME-12	1	Up Deck Wire-2	4x172 mm	Metal
ME-13	1	Up Deck Wire-3	1,5x58 mm	Metal
ME-14	1	Up Deck Wire-4	1,5x26 mm	Metal
ME-15	4	Up Radar Lower Pipe	5x90 mm	Metal
ME-16	2	Back Cabin Legs	5x40 mm	Metal
ME-17	2	Winch Wire	2x34 mm	Metal
ME-18	2	Winch Wire	1,7x25 mm	Metal
ME-19	1	Winch Pipe	3x20 mm	Metal
ME-20	1	Winch Pipe	3x17 mm	Metal
ME-21	1	Rudder Wire	1,7x12 mm	Metal
ME-22	1	Rudder Wire	1,7x60	Metal
ME-23	1	Rudder Pipe	3x40 mm	Metal
ME-24	1	Windlass Wire	2x47 mm	Metal
ME-25	1	Propeller Wire	7x80 mm	Metal
3D1	10	J Air Conditioner	-	3D Printout
3D2	2	Chain Bed	-	3D Printout
3D3	2	Windlass Chain Bed	-	3D Printout
3D4	2	Windlass Head	-	3D Printout
3D5	1	Windlass Middle Part	-	3D Printout
3D6	2	Windlass Legs	-	3D Printout
3D7	1	Windlass Base	-	3D Printout
3D8	8	Bollards	-	3D Printout
3D9	4	Lifebuoy and hanger	-	3D Printout
3D10	2	Lifebuoy and hanger	-	3D Printout

NO	QUANTITY	DESCRIPTION	Material	TYPE
3D11	2	Fire House	-	3D Printout
3D12	3	Small Projector	-	3D Printout
3D13	1	Large Projector	-	3D Printout
3D14	1	Small lifeboat Male	-	3D Printout
3D15	1	Small Lifeboat Female	-	3D Printout
3D16	3	Large Lifeboat Projector Female	-	3D Printout
3D17	3	Large Lifeboat Projector Male	-	3D Printout
3D18	1	Zodiac Wheel	-	3D Printout
3D19	2	Zodiac Motor	-	3D Printout
3D20	2	Winch Hydraulic Parts Down	-	3D Printout
3D21	2	Winch Hydraulic Parts Up	-	3D Printout
3D22	1	Main Winch Base Parts	-	3D Printout
3D23	1	Secondary Winch Main Pulley	-	3D Printout
3D24	1	Secondary Winch Pulley	-	3D Printout
3D25	1	Secondary Winch Leg	-	3D Printout
3D26	1	Zodiac Bollards	-	3D Printout
3D27	1	Long Air Conditioner	-	3D Printout
3D28	1	Short Air Conditioner	-	3D Printout
3D29	1	Small Ball Radar	-	3D Printout
3D30	1	Large Ball Radar	-	3D Printout
3D31	1	Small Radar	-	3D Printout
3D32	1	Small Radar Motor	-	3D Printout
3D33	1	Large Radar	-	3D Printout
3D34	1	Large Single Bollards	-	3D Printout
3D35	1	Small Single Bollards	-	3D Printout
3D36	2	Anchor House	-	3D Printout
3D37	2	Anchor Hanger	-	3D Printout
3D38	2	Anchor	-	3D Printout
3D39	1	Propeller center	-	3D Printout
3D40	4	Propeller parts	-	3D Printout
3D41	1	Propeller Male	-	3D Printout
3D42	2	Double Nose Bollards	-	3D Printout
3D43	1	Rudder	-	3D Printout
3D44	1	Main Winch Pulley	-	3D Printout
3D45	1	Pin	-	3D Printout
3D46	1	Pipe-1	5x17	3D Printout
3D47	1	Pipe-2	5x34	3D Printout
3D48	2	Pipe-3	5x32	3D Printout
3D49	1	Pipe-4	5x22	3D Printout
3D50	2	Zodiac Side Parts	-	3D Printout
3D51	1	Rudder House	-	3D Printout
3D52	1	Large Furuno House	-	3D Printout
3D53	1	Small Furuno House	-	3D Printout
R1	20	Clear Led	-	Ready
R2	1	Red Led	-	Ready
R3	1	Green Led	-	Ready
R4	-	Copper Wire	4 m	Ready
R5	2	Jack	-	Ready
R6	-	Chain	500 mm	Ready
R7	-	Black Yarn	2 m	Ready
P1	4	Captain Cabin Windows	-	Plexi
P2	4	Captain Cabin Windows	-	Plexi
P3	2	Back Down Room Glasses	-	Plexi
P4	5	Captain Cabin Front Rectangle	-	Plexi
P5	3	Large Porthole Glass	-	Plexi
P6	14	Middel Cabin Small Porthole Glass	-	Plexi
P7...9	3	Large Radar Leg Parts	-	Plexi
P10-11	4	Step Parts	-	Plexi

NO	QUANTITY	DESCRIPTION	Material	TYPE
P12	3	Captain Cabin Porthole Glass	-	Plexi
P12	13	Middle Cabin Porthole	-	Plexi
P12	19	Main Porthole Glass	-	Plexi
P13	37	Handels	-	Plexi
P14...45	34	Rails	-	PVC
P49...52	24	Stairs Parts	-	Plexi
P53-54	3	Up Radar Stairs	-	Plexi
P55-56	3	Front Funnel Ladder	-	Plexi
P57-58	3	Middle Cabin Ladder	-	Plexi
P59-60	3	Captain Cabin Stairs	-	Plexi
P61-62	3	Main Post Stairs	-	Plexi
P63-64	3	Funnel Rails	-	Plexi
P78...84	9	Doors	-	Plexi
P85...89	6	Large Radar Down Box	-	Plexi
P90...94	12	Air Conditioner Motor	-	Plexi
P95-96	2	Stairs Rails	-	Plexi
P97-98	4	Projector Glass	-	Plexi
P99	1	Antenna Parts	-	Plexi
P100-101	3	Step Parts	-	Plexi
P102	2	Led Supports	-	Plexi
P-103	1	Antenna Parts	-	Plexi
P-104	2	Step Parts	-	Plexi
P107-108	3	Zodiac Parts	-	Plexi
P109...110	3	Led Base	-	Plexi
P112	2	Main Post Parts	-	Plexi
DC-1	1	Flag	-	Sticker
DC-2	1	Name Sticker	-	Sticker
DC-3	1	Radar Sticker	-	Sticker
DC-4	1	Radar Name Sticker	-	Sticker
DC-5	1	Body Sticker	-	Sticker