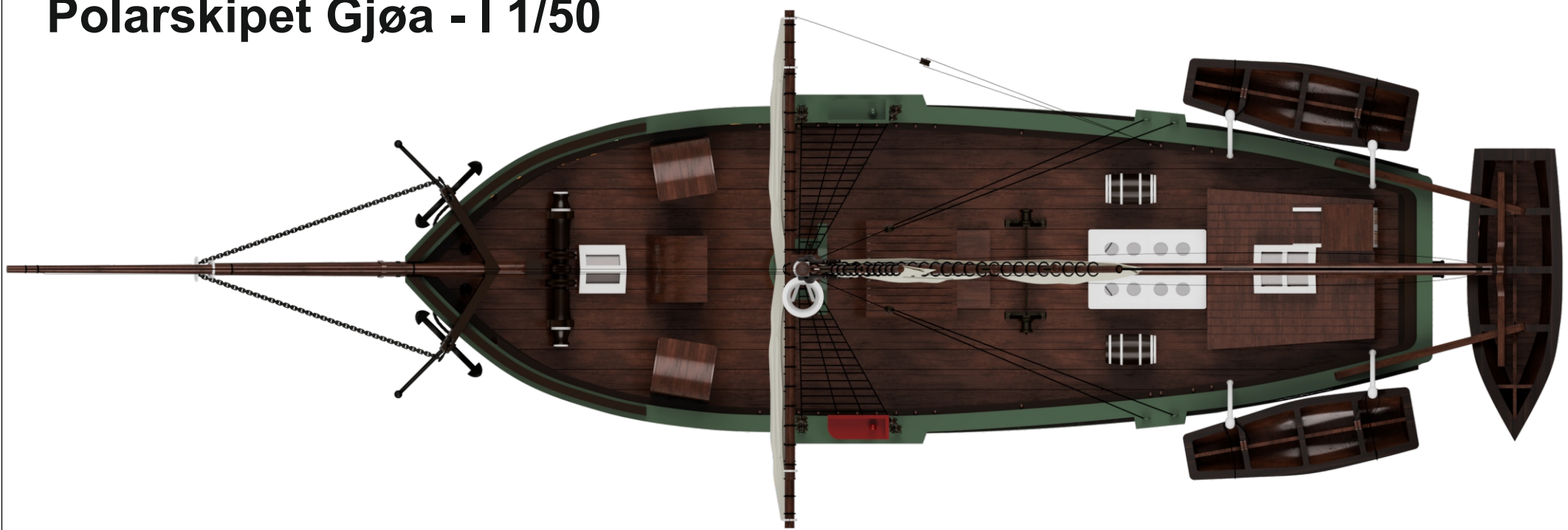
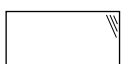
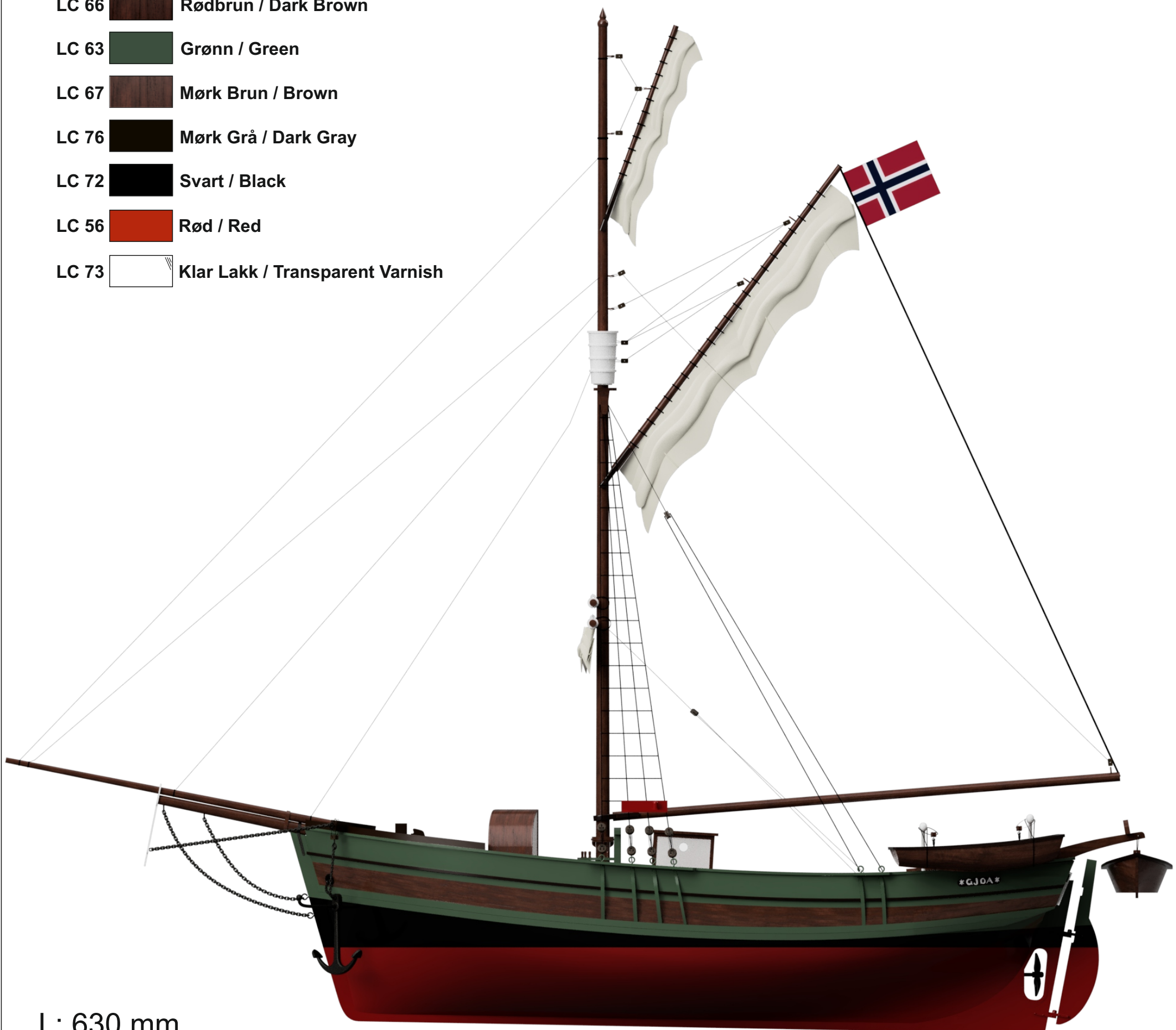


# modell-tec

## Polarskipet Gjøa - I 1/50



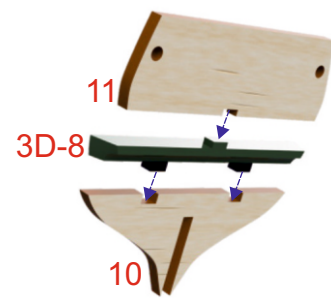
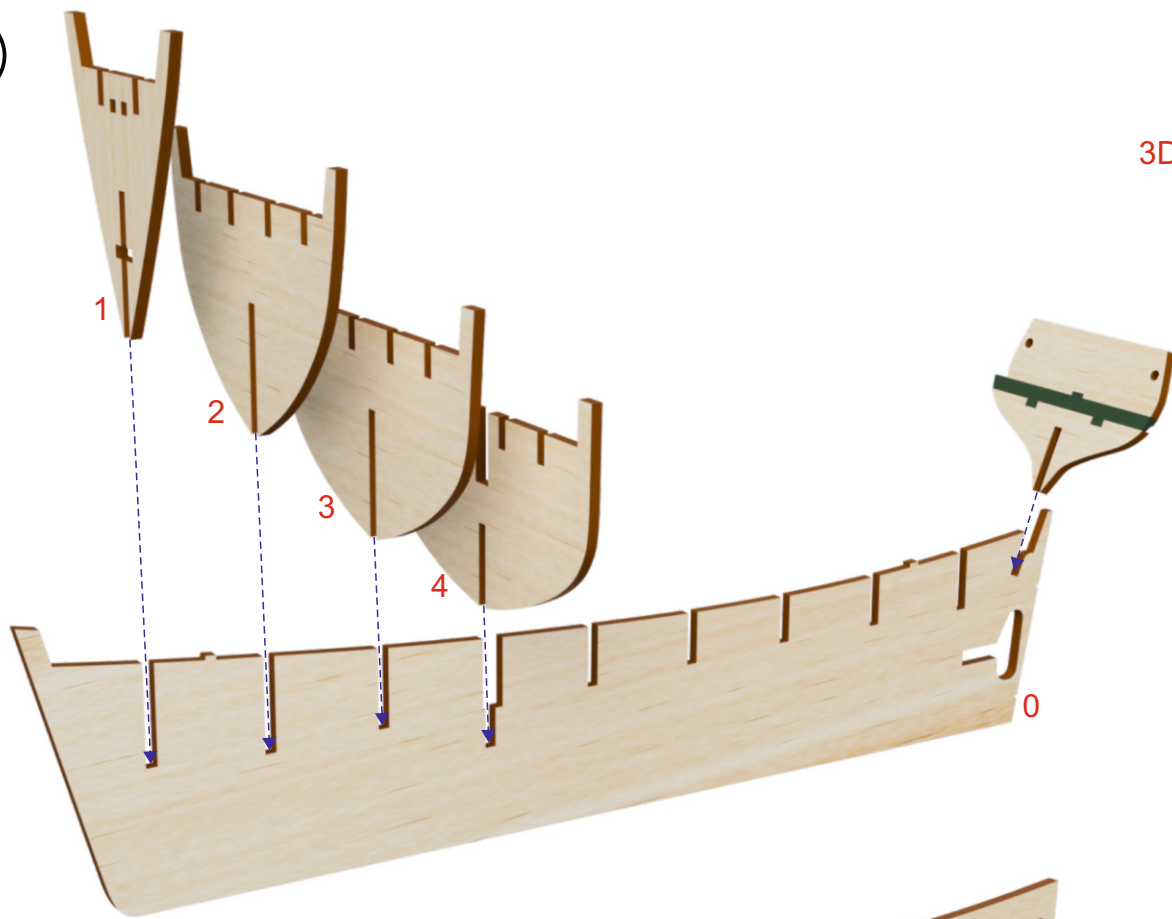
- LC 51  Hvit / White
- LC 66  Rødbrun / Dark Brown
- LC 63  Grønn / Green
- LC 67  Mørk Brun / Brown
- LC 76  Mørk Grå / Dark Gray
- LC 72  Svart / Black
- LC 56  Rød / Red
- LC 73  Klar Lakk / Transparent Varnish



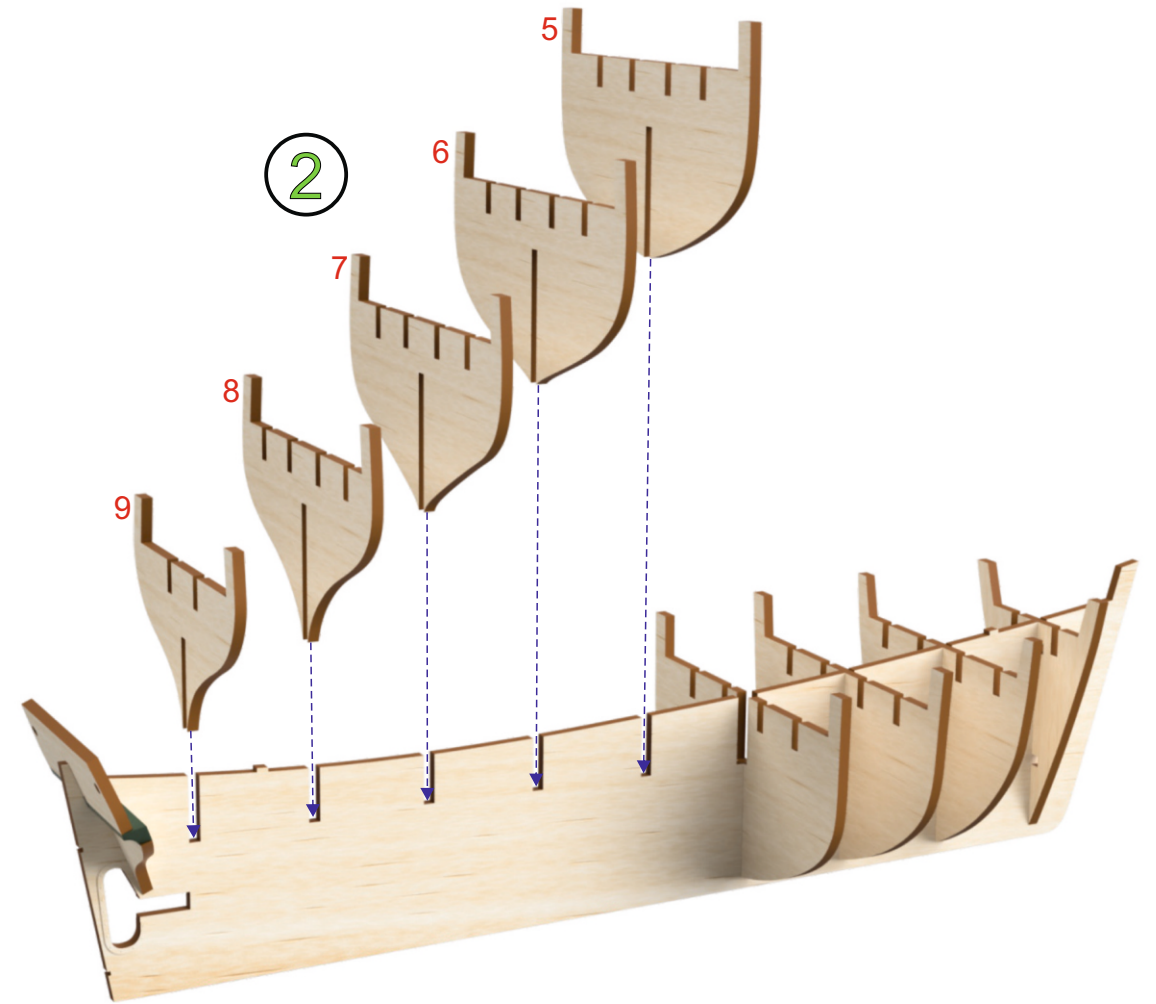
L: 630 mm

### Polarskipet GjØa - I 1/50

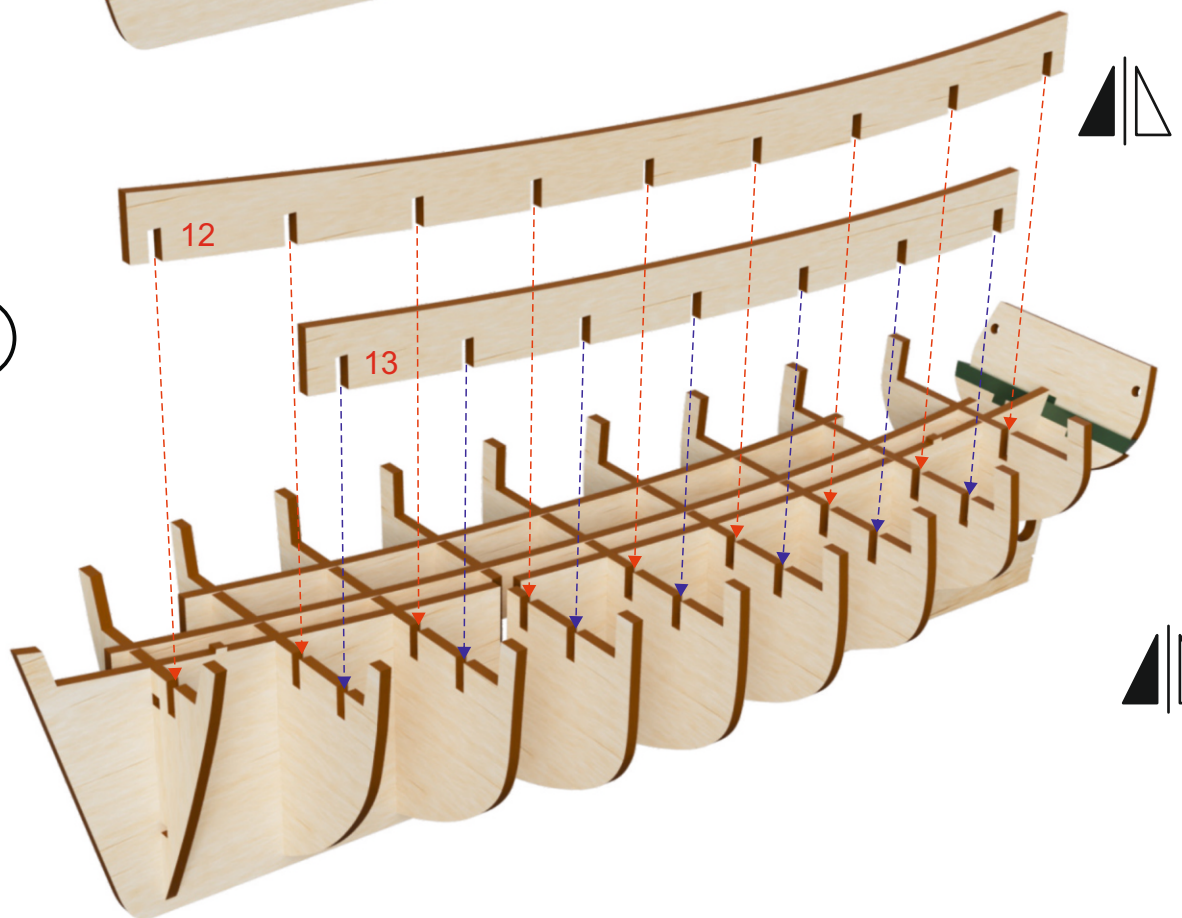
1



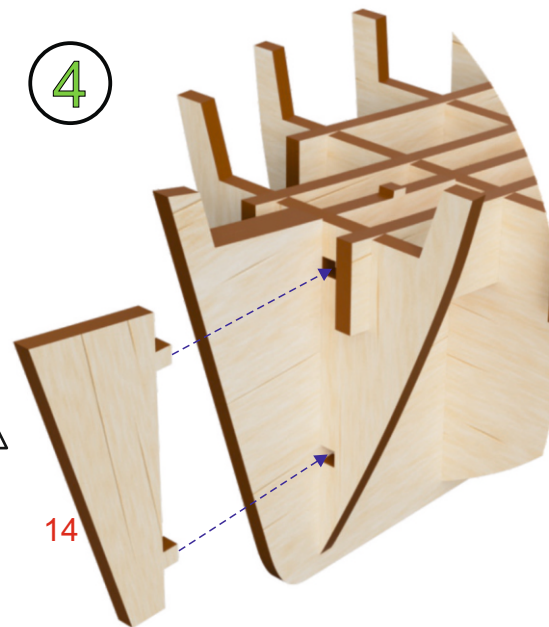
2



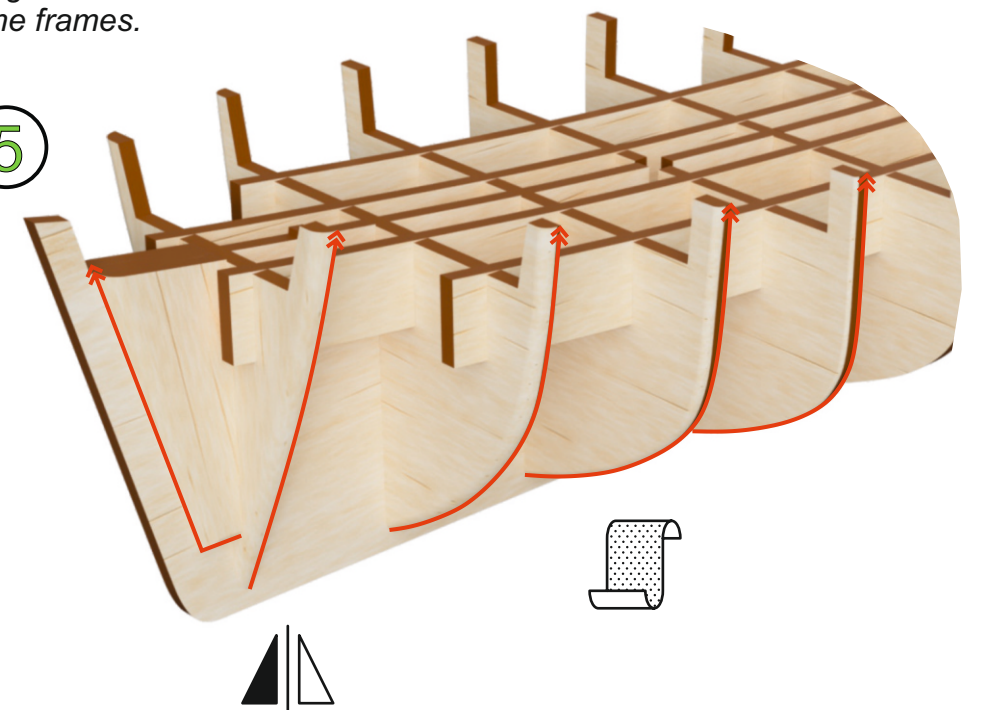
3



4



5



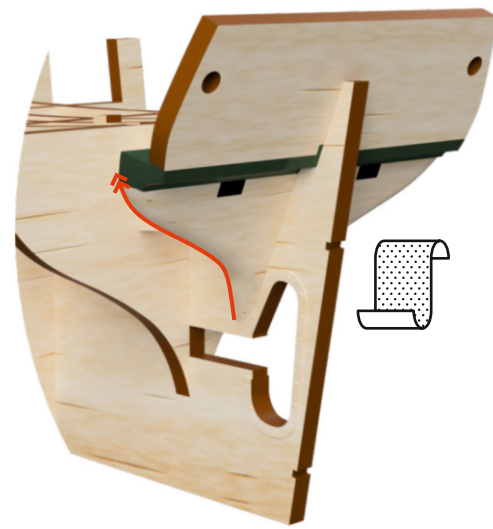
Puss de fremste og bakre spant i skrogfasong, i riktig vinkel for bekledningslistene. Dette for å gi skroget riktig fasong og bedre feste for bekledningslistene.

*Sand the frame edges to the angle of curving direction to make better contact the cover strips on the frames.*

# modell-tec

## Polarskipet GjØa - I 1/50

SIDE-2



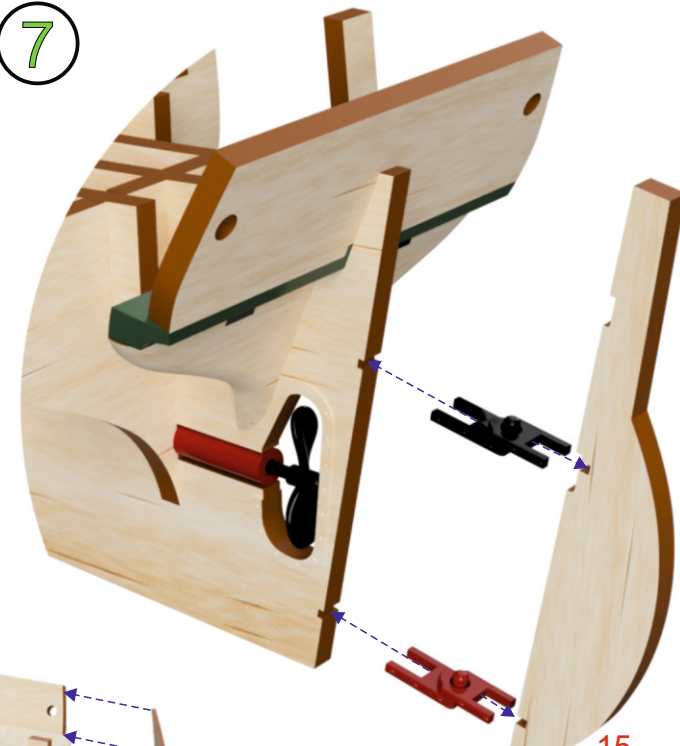
6



3D-29

3D-30

7

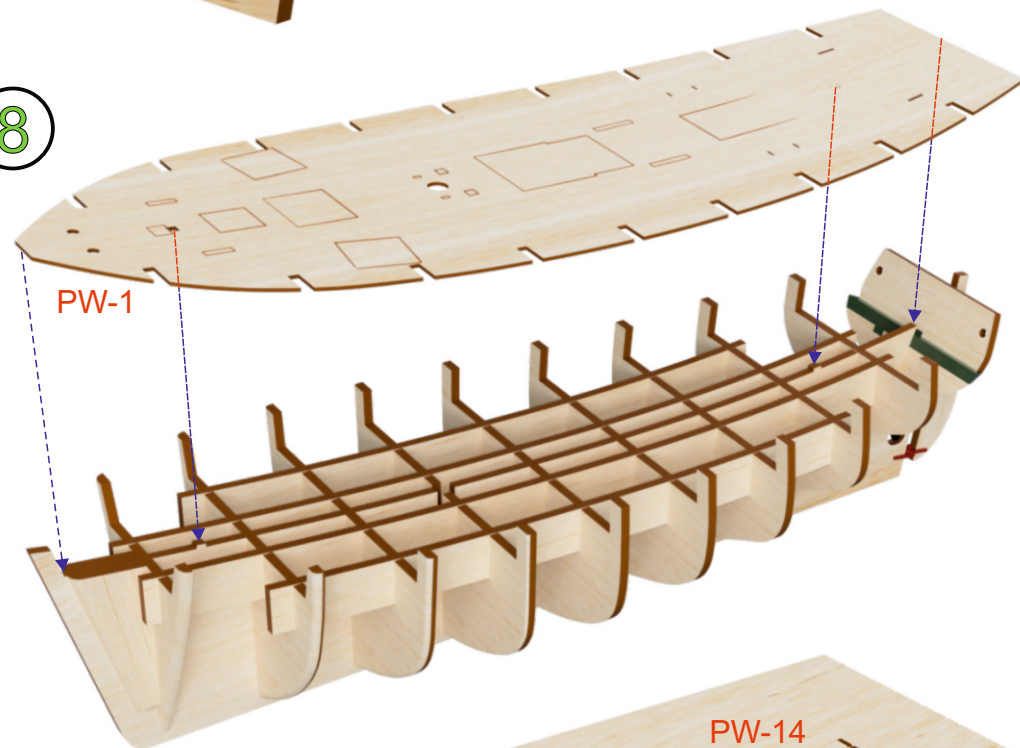


3D-6

3D-7

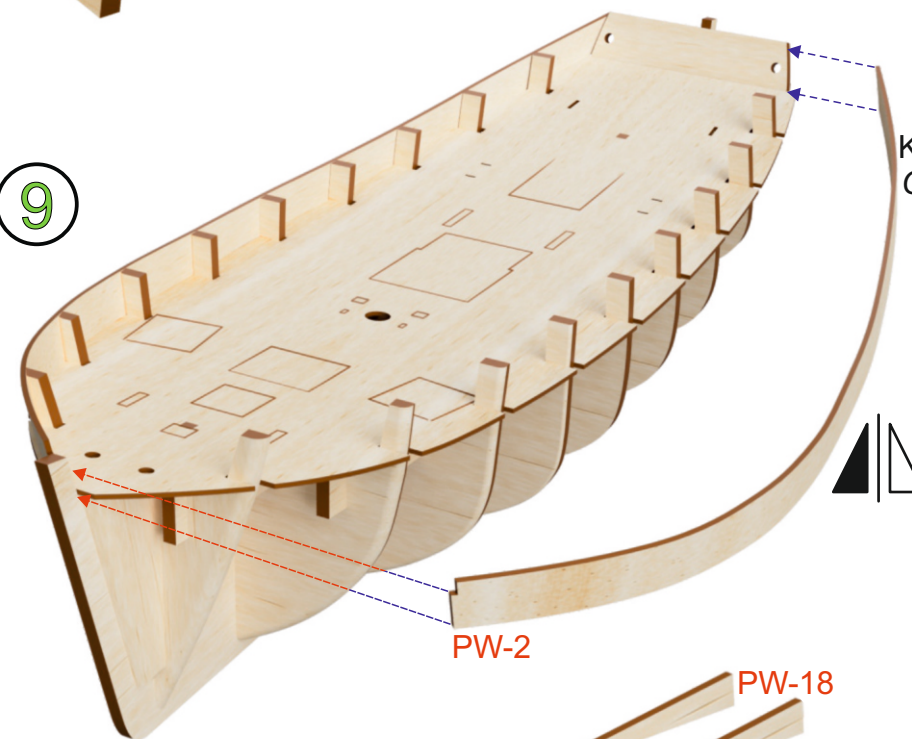
Puss toppen av rekken til en jevn høyde.  
Sand the top of the frame to the level of rails.

8



PW-1

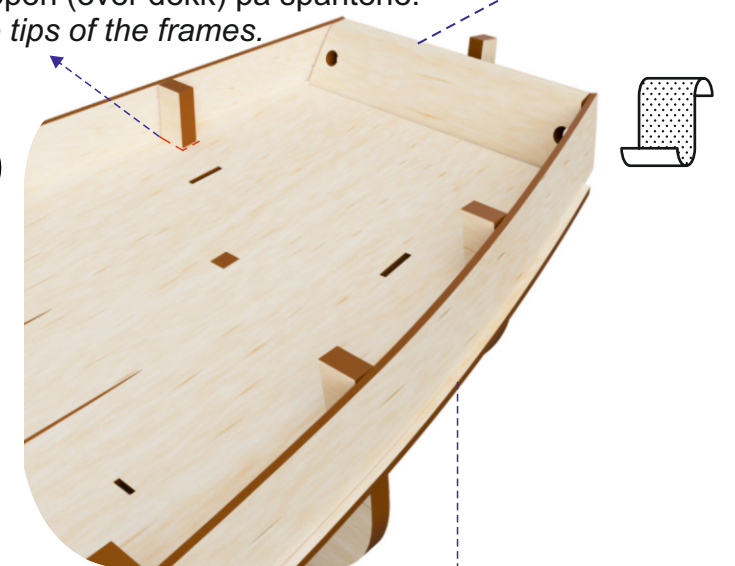
9



PW-2

Kutt av toppen (over dekk) på spantene.  
Cut off the tips of the frames.

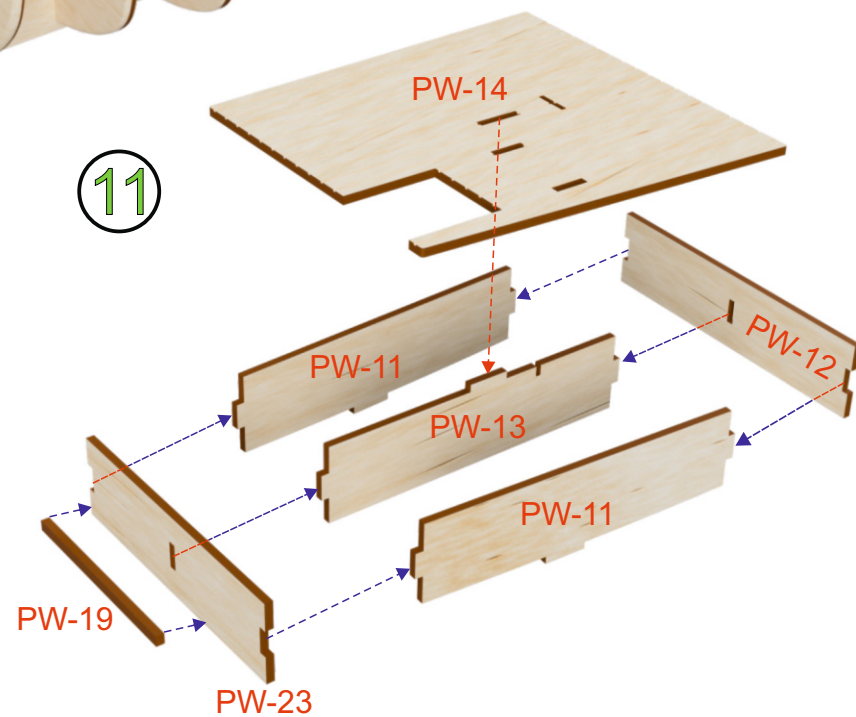
10



Fyll eventuelle sprekker med sparkel og puss jevnt med skroget.  
Fill the deck's ledge gaps with puty. Shape it as boat's lath.

*Fill the deck's ledge gaps with puty. Shape it as boat's lath.*

11



PW-11

PW-13

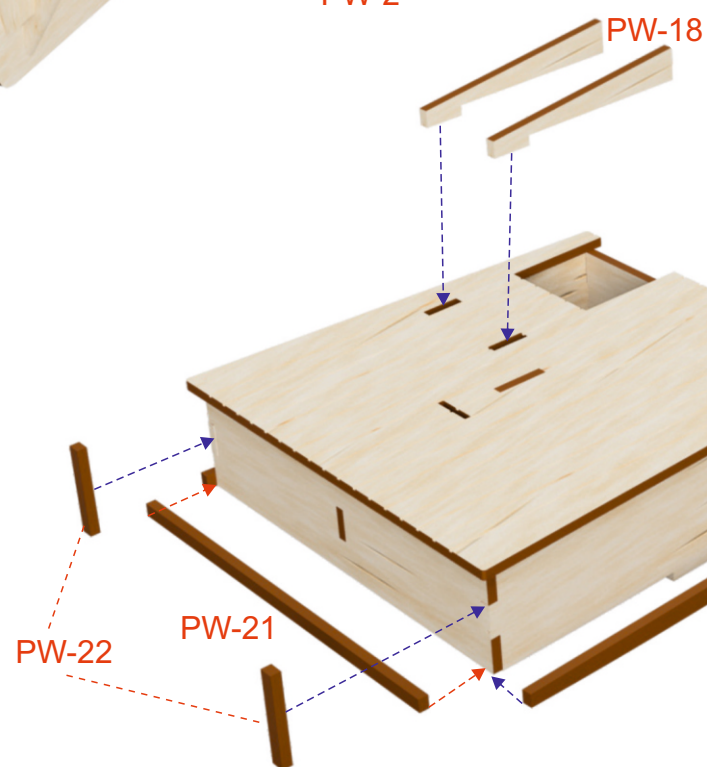
PW-11

PW-19

PW-23

PW-12

PW-14



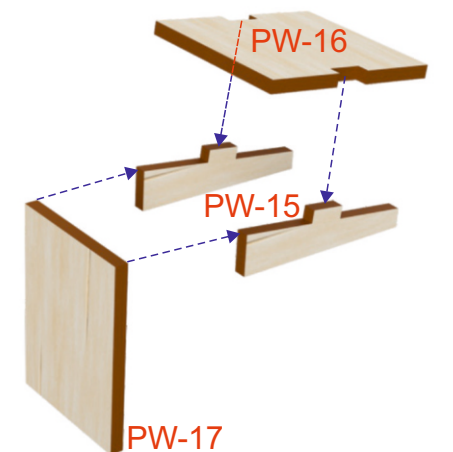
PW-18

PW-22

PW-21

PW-20

PW-22



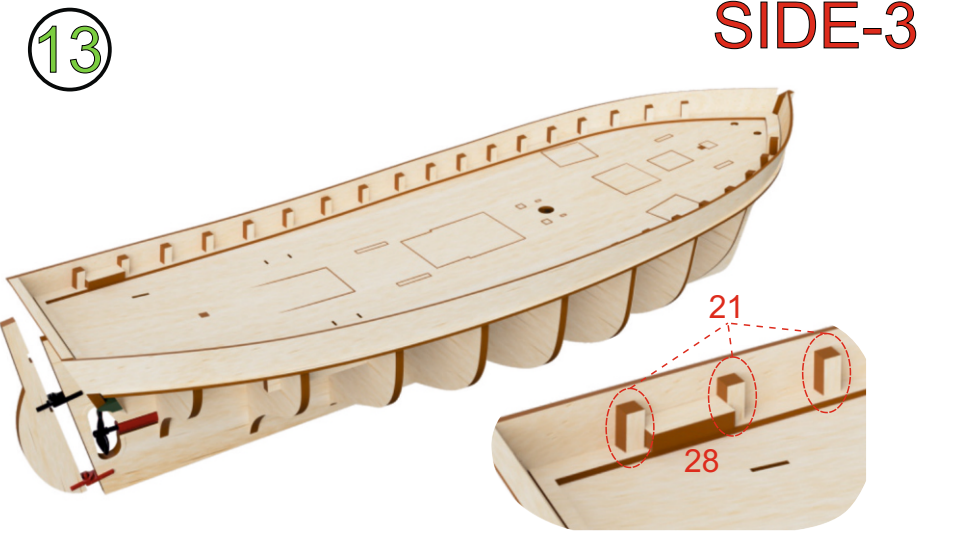
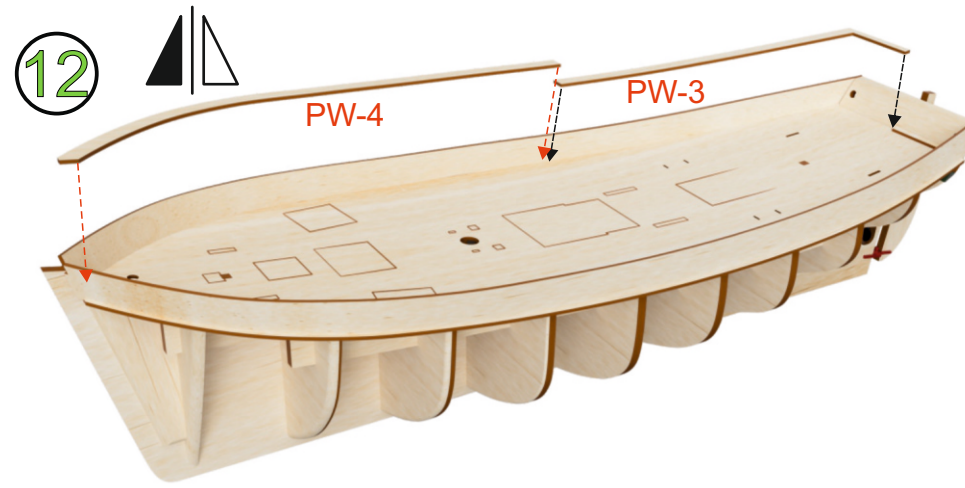
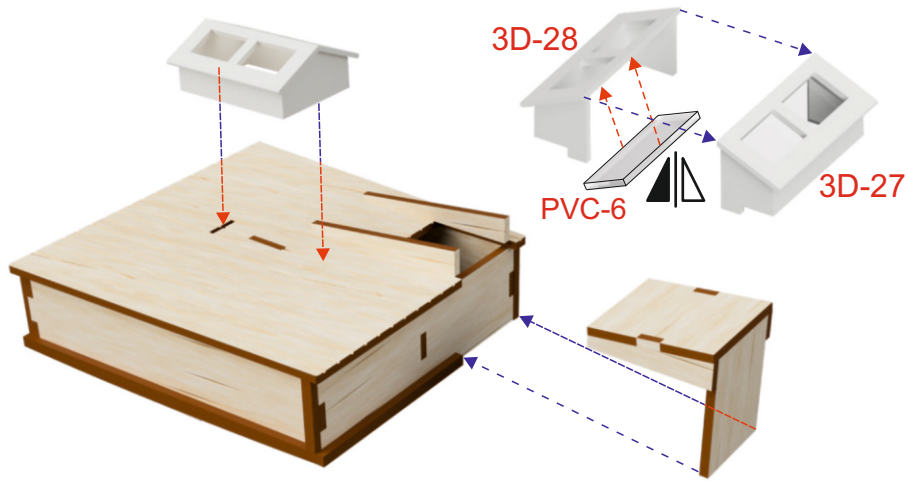
PW-16

PW-15

PW-17

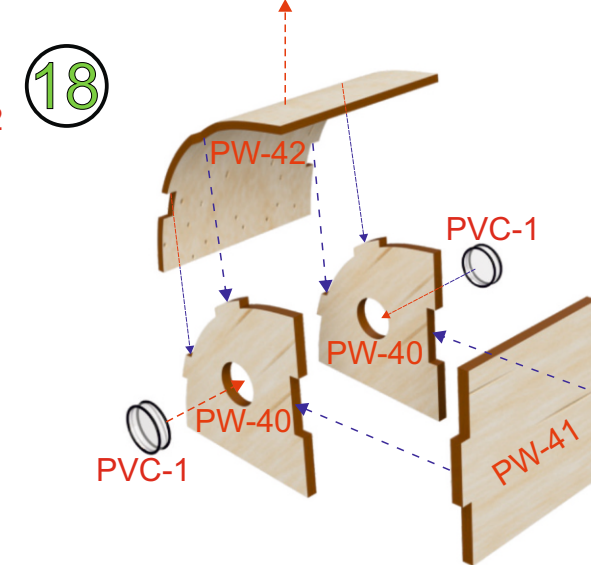
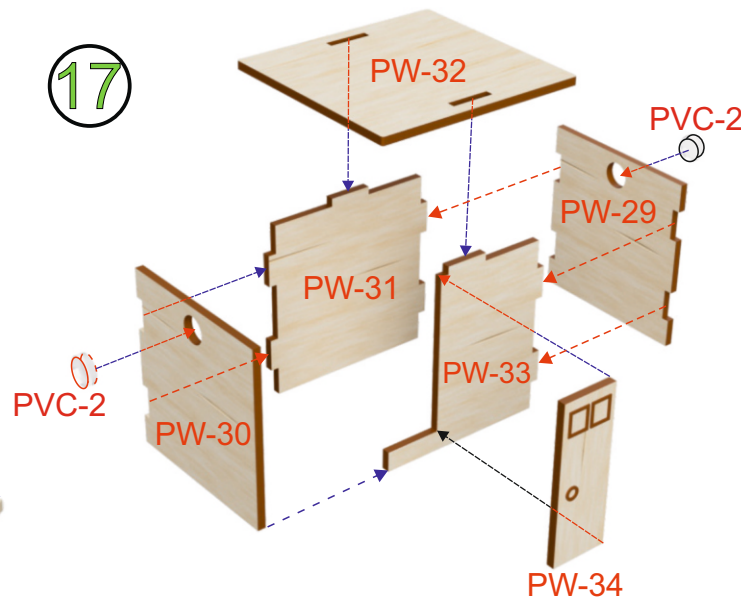
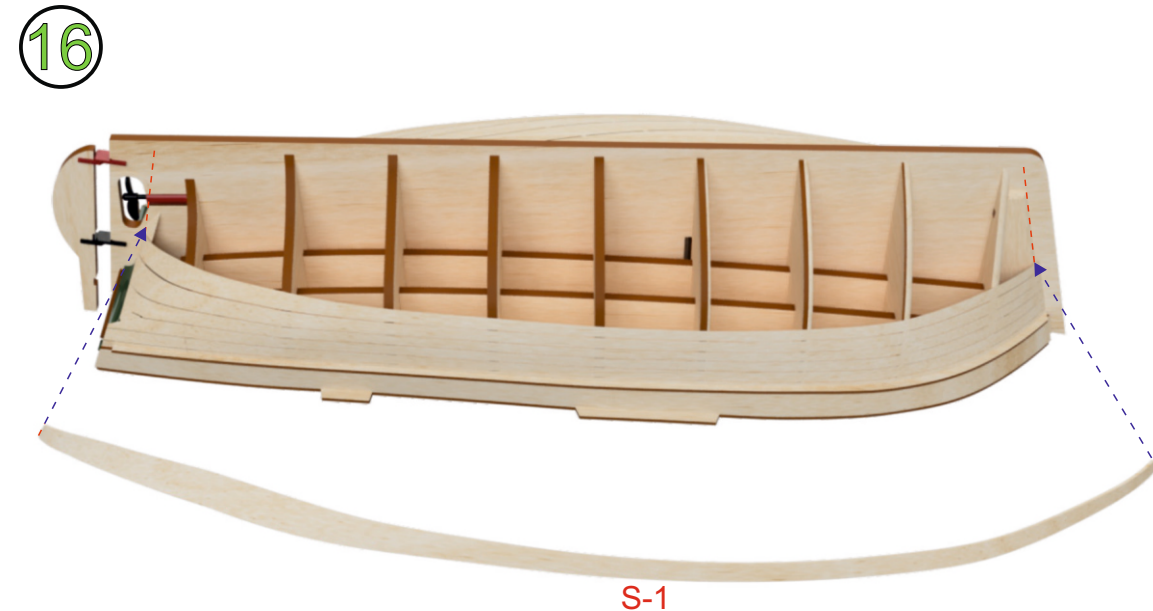
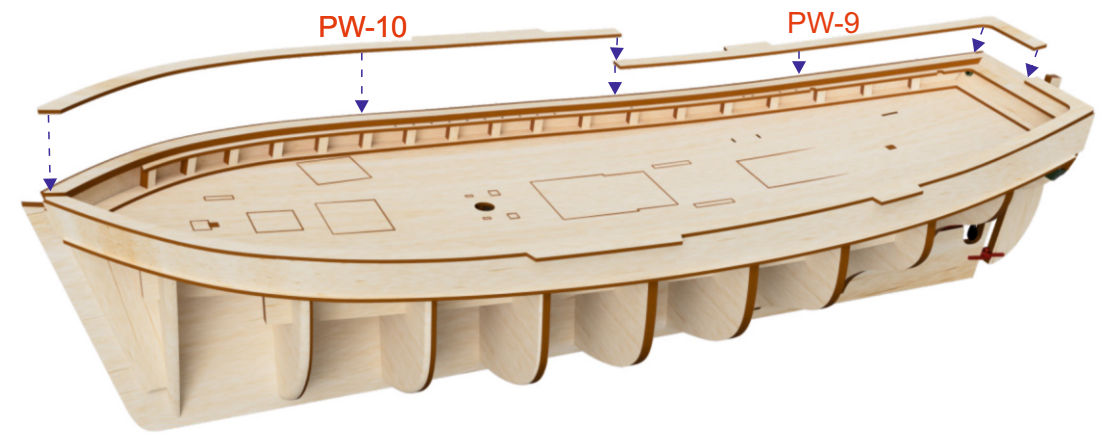
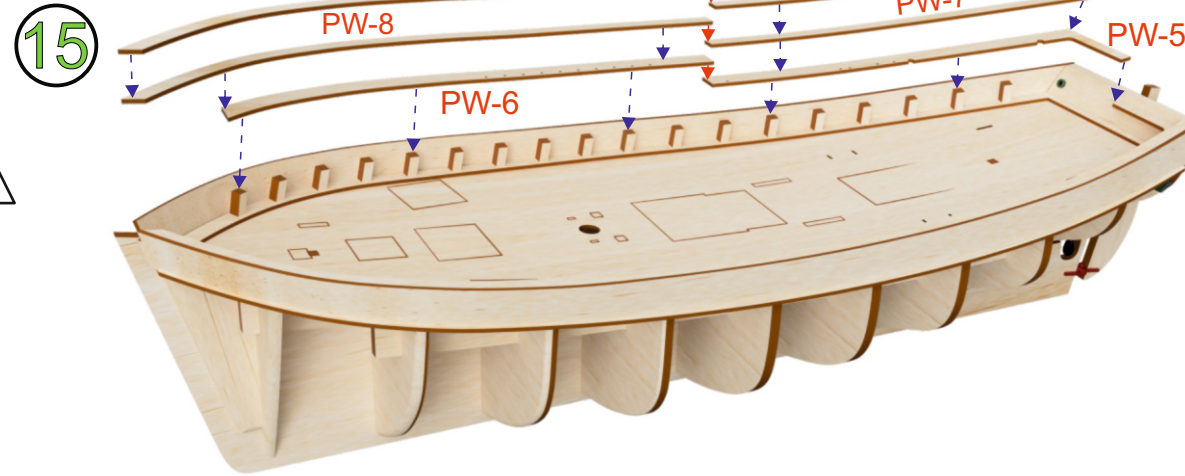
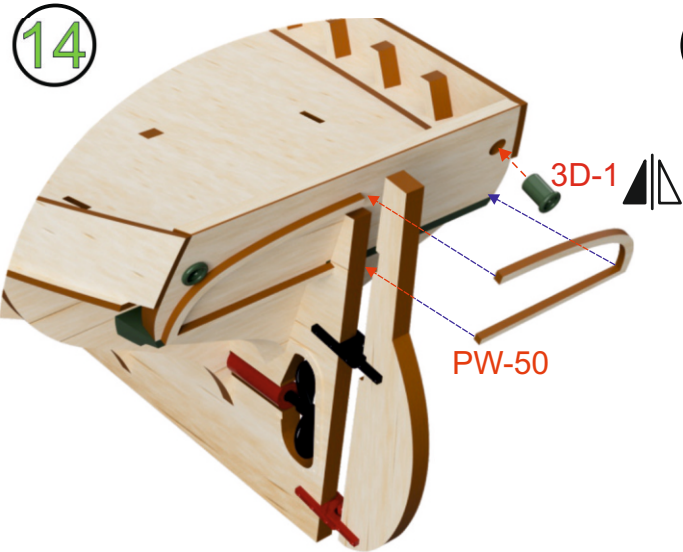
# modell-tec

## Polarskipet Gjøa - I 1/50



Puss PW 7-8 på utsiden til skrognivå, etter montering.  
Sand PW 7-8 outside to hull level after them placing.

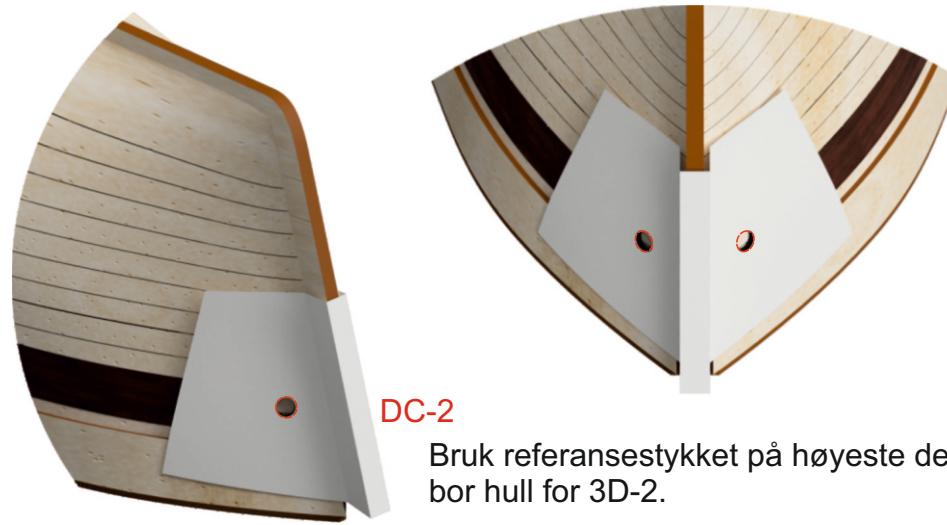
Monter 18 stk. nr. 21. Nr. 28 er en referanse list.  
Set 18 pcs of No:21. No:28 is the reference part.



Legg den bøybare fineren i vann i 60-75 minutter.  
Keep in the water curving parts for 60-75 minutes.

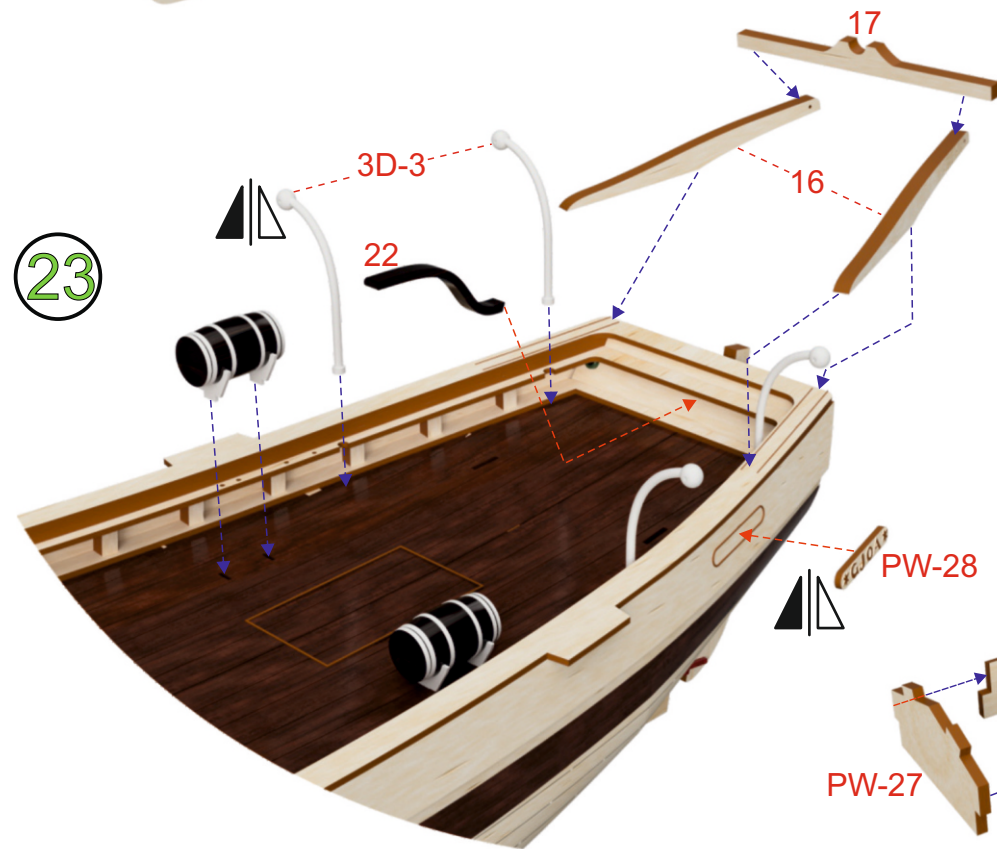


21

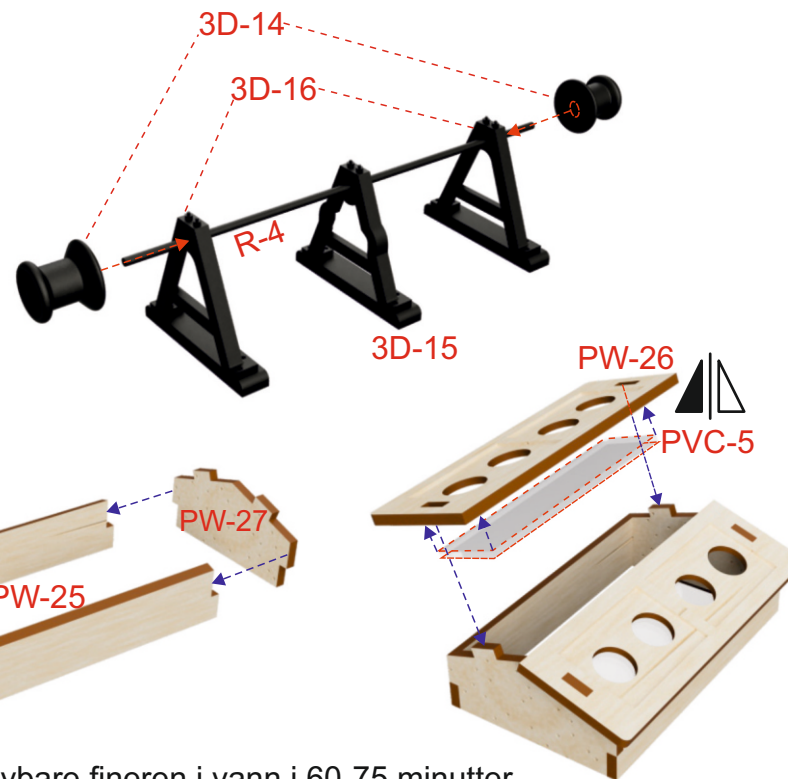


Bruk referansestykket på høyeste del av kjØlen og bor hull for 3D-2.  
Set the reference sticker exactly the highest tip of the keel and drill in the exact points.

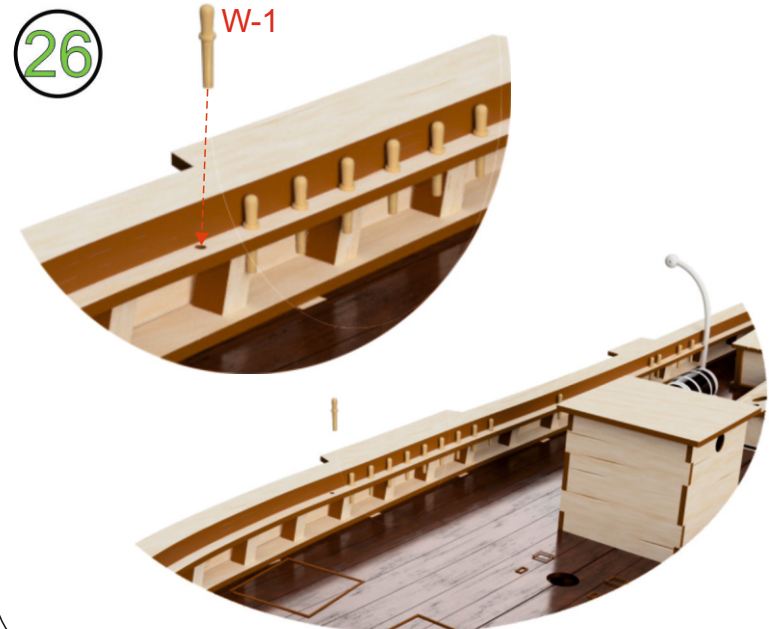
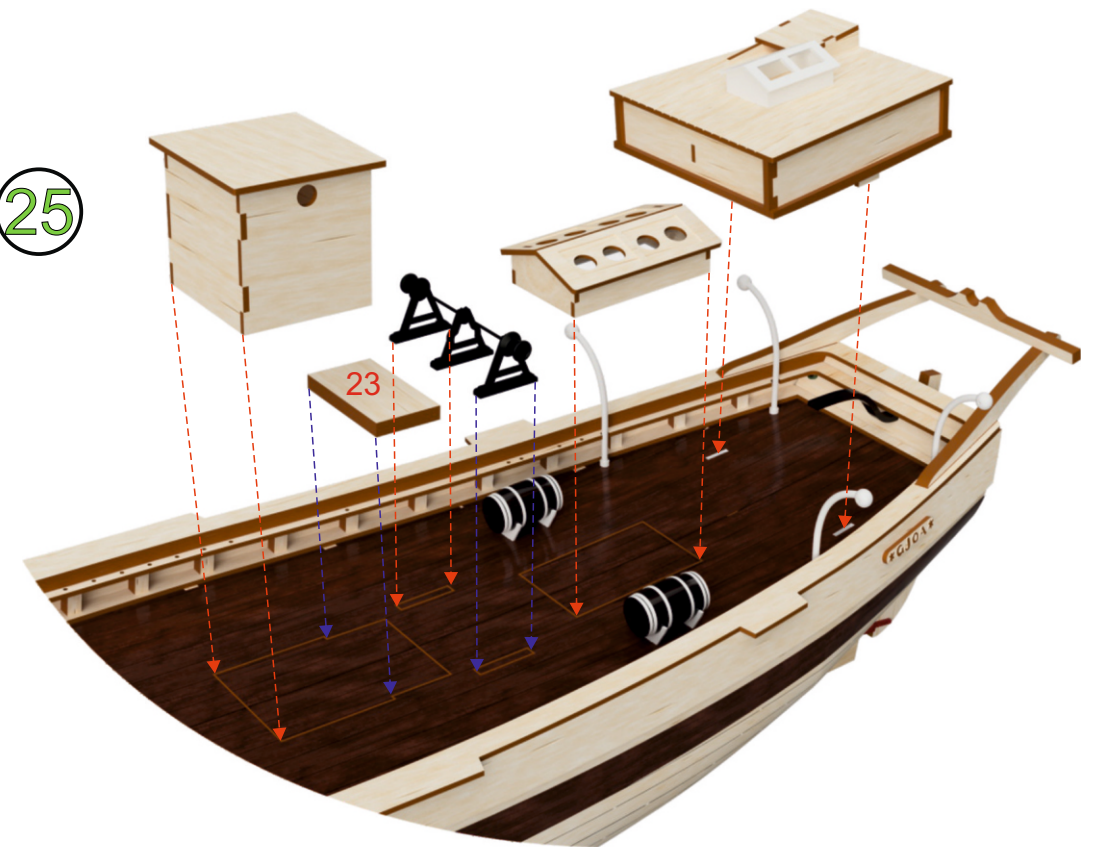
22



24

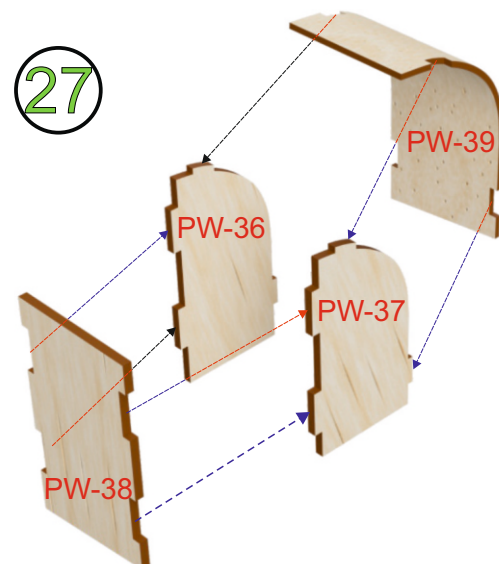


25

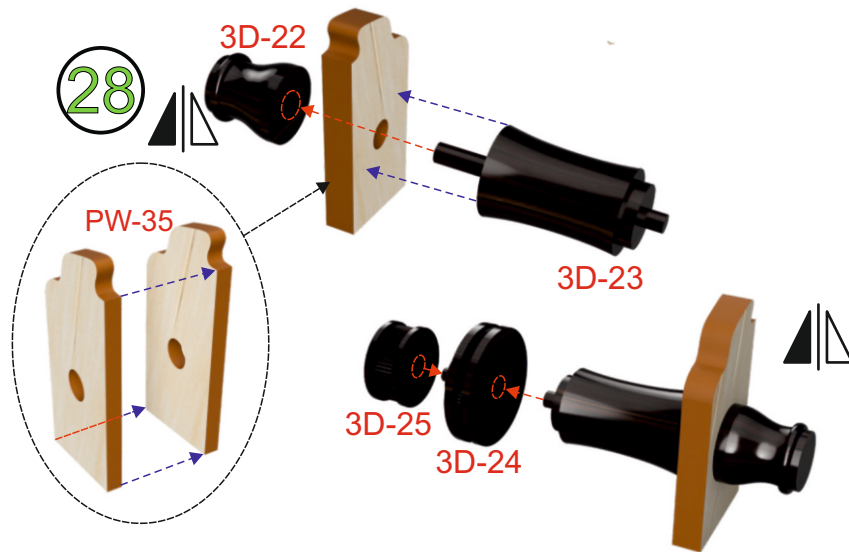


Legg den bøybare fineren i vann i 60-75 minutter.  
Keep in the water curving parts for 60-75 minutes.

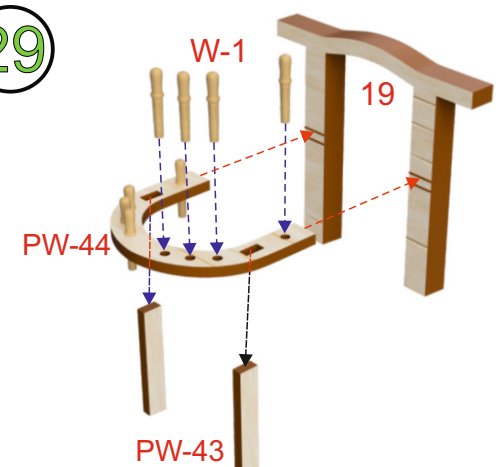
27



28



29



# modell-tec

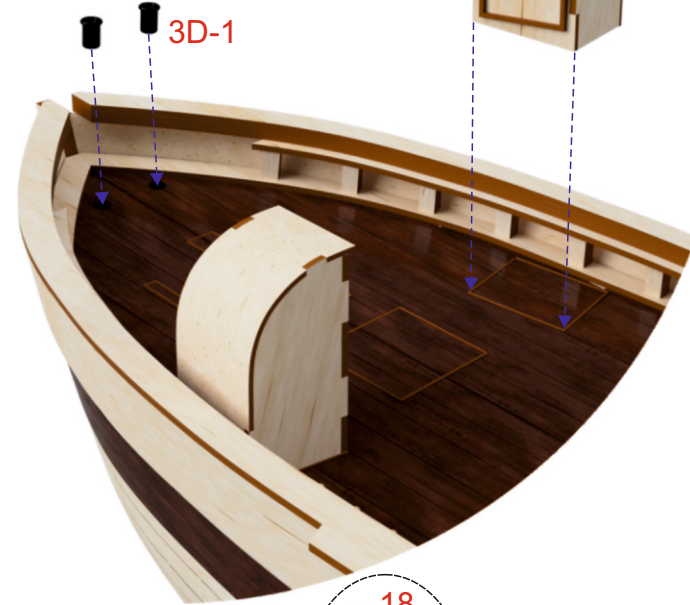
## Polarskipet Gjøa - I 1/50

Bor og monter kjettinggjennomføringene i dekket slik at de passer til de utvendige boringene.

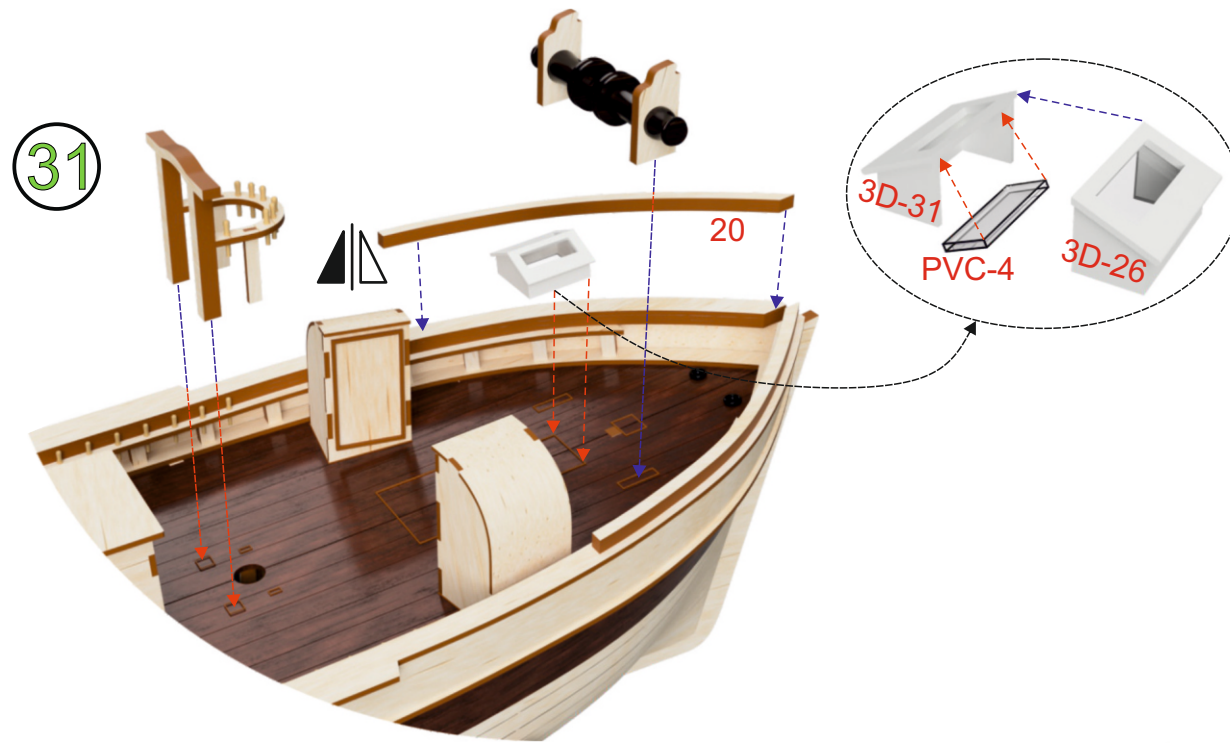
Monter ankerkjettingen til ankere og winch.

Set the chain through deck hole and out from the hull hole. Then fix one end to anchor and the other end onto the winch.

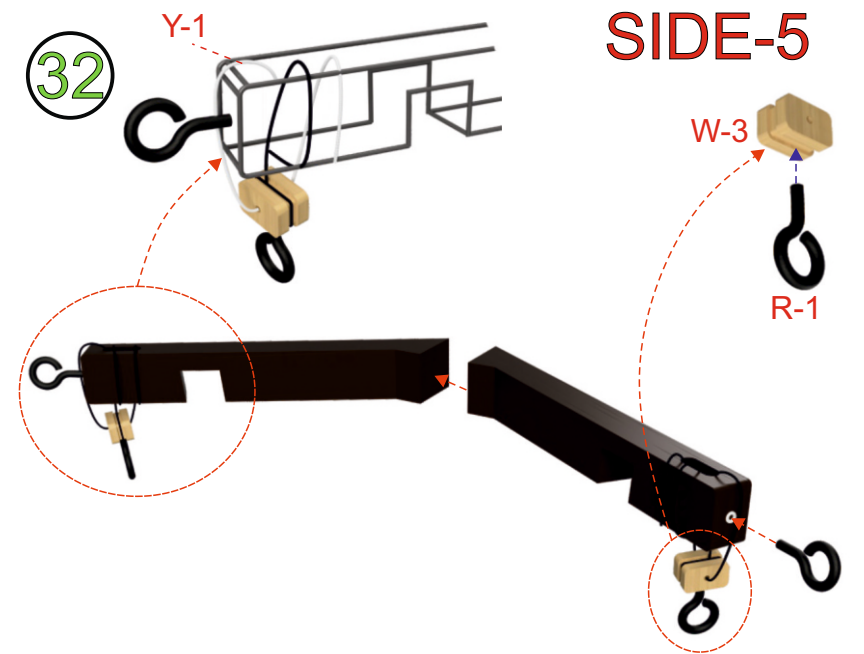
30



31

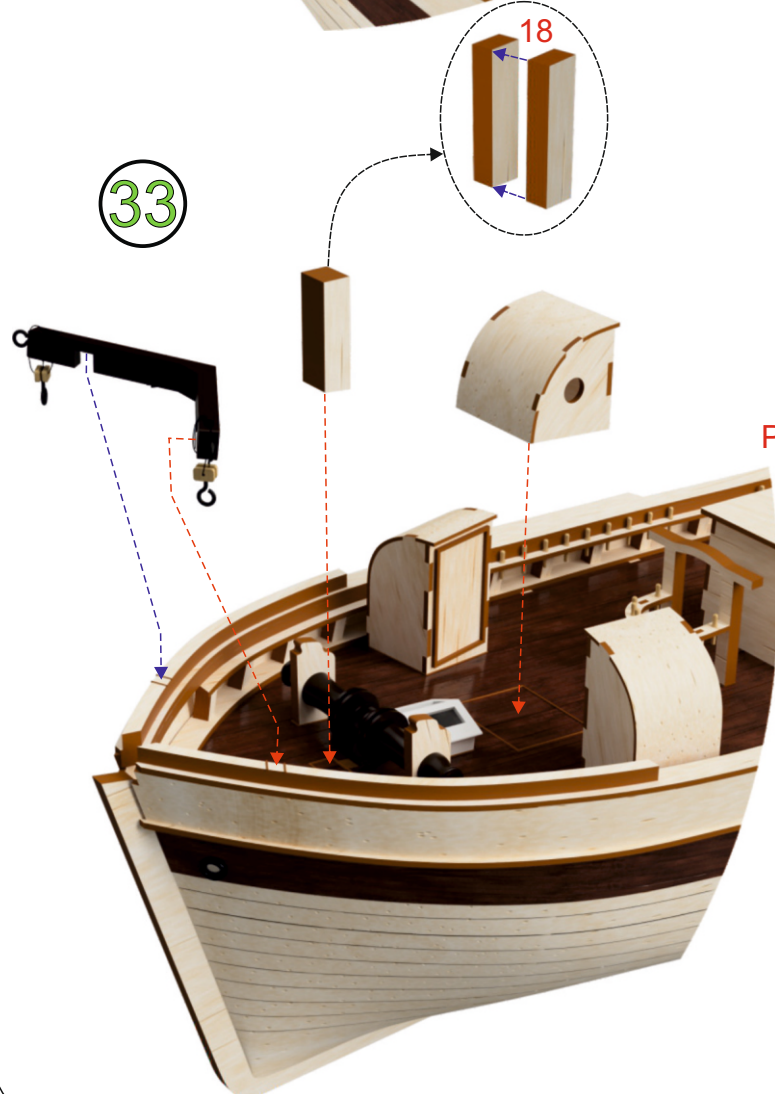


32

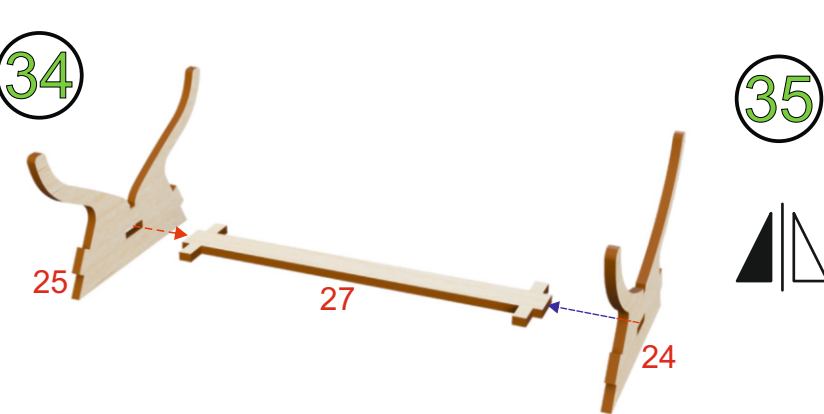


SIDE-5

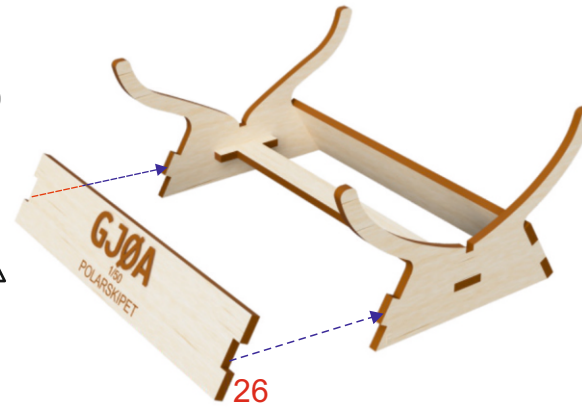
33



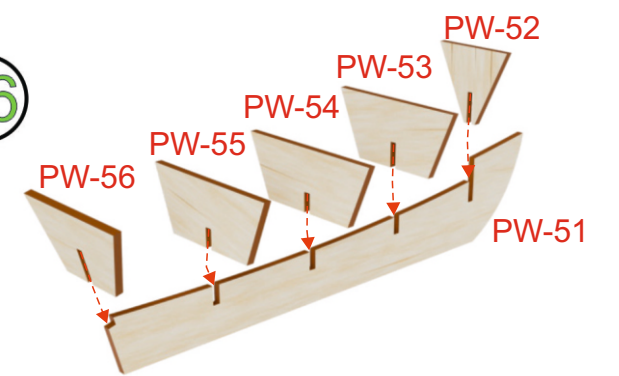
34



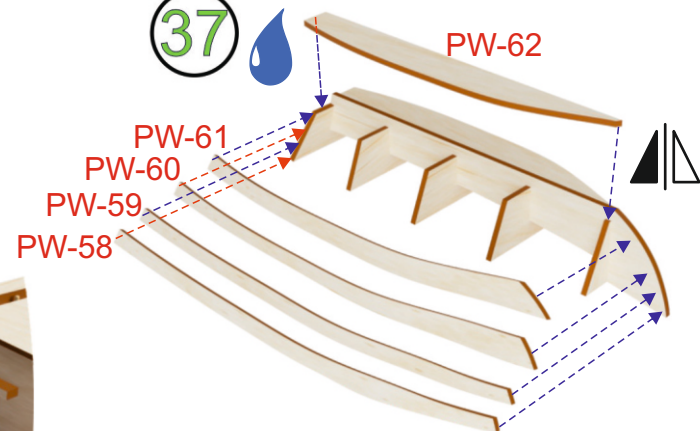
35



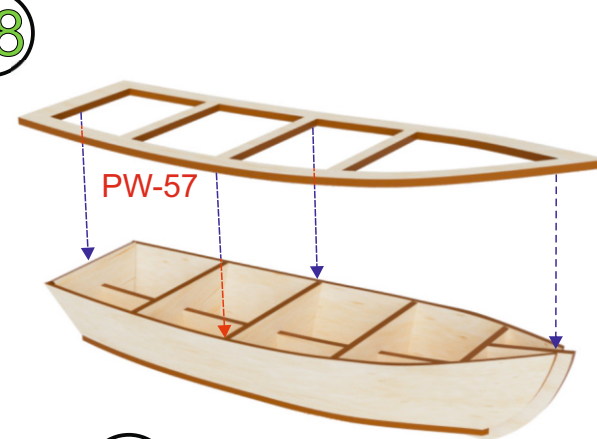
36



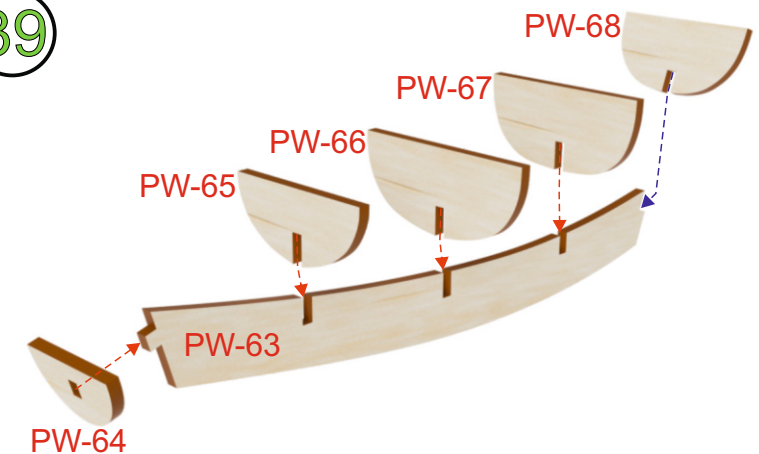
37



38



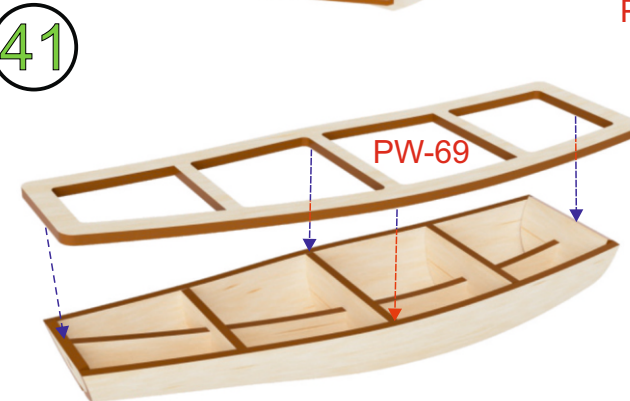
39



40



41



42



Monter sidebord PW-70 på livbåtspantene.  
Cover all frames with PW-70 strips.

Puss til årene for livbåtene.  
Sand the rows.

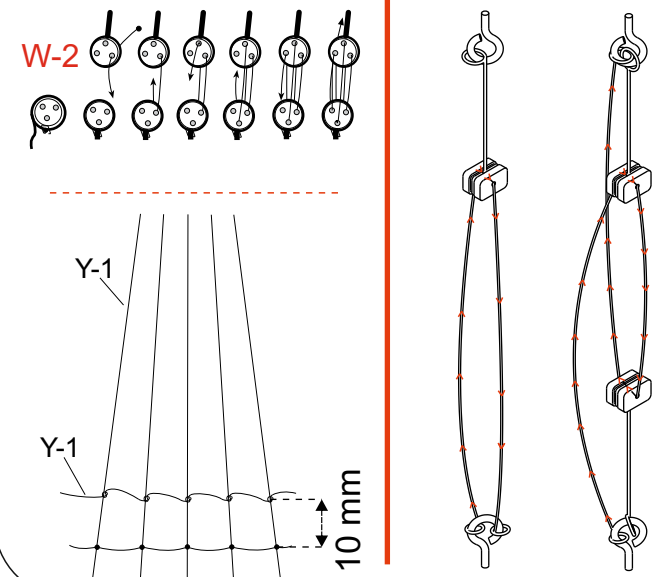
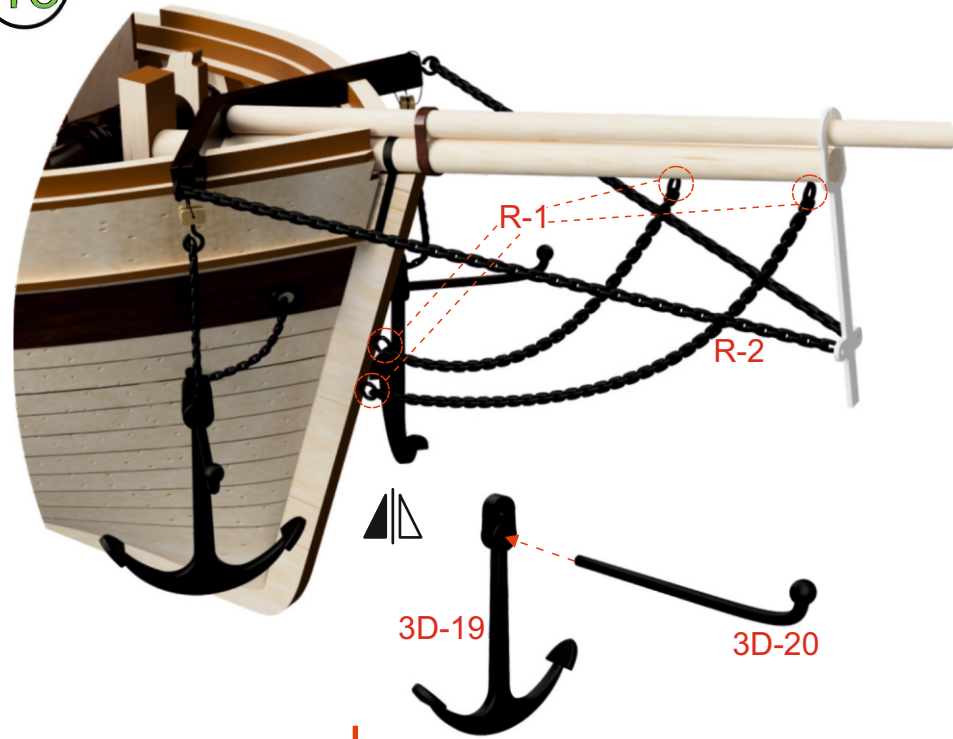
# modell-tec

## Polarskipet Gjøa - I 1/50

43



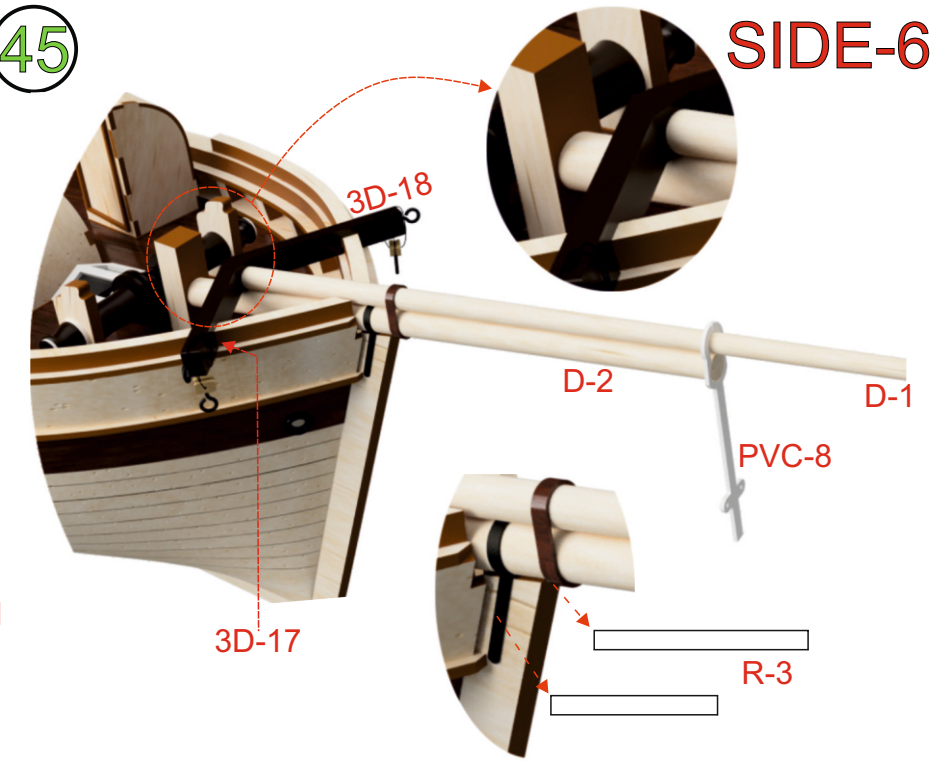
46



44

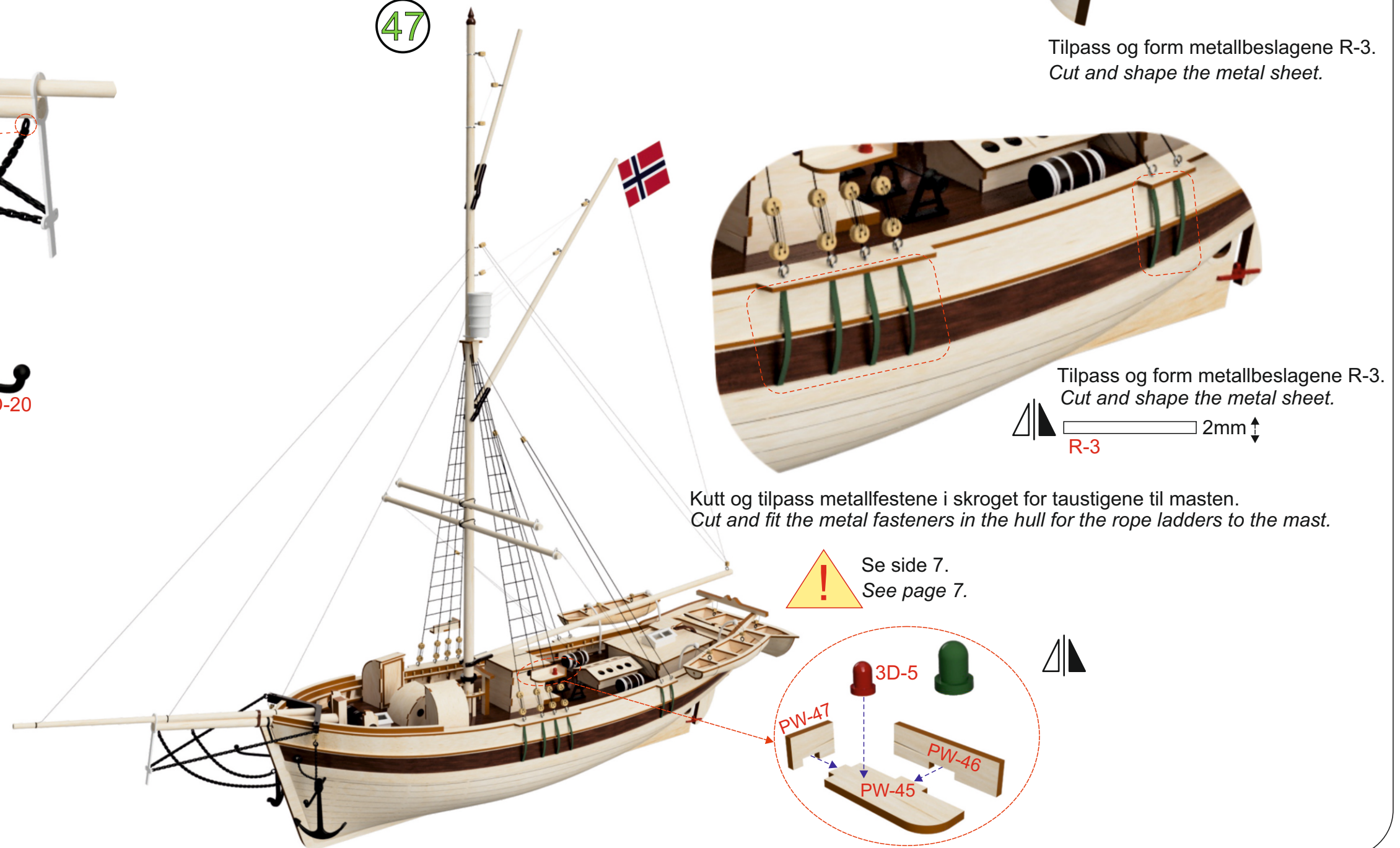


45



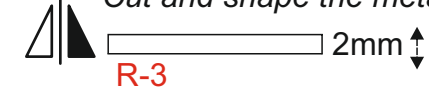
SIDE-6

47



Tilpass og form metallbeslagene R-3.  
Cut and shape the metal sheet.

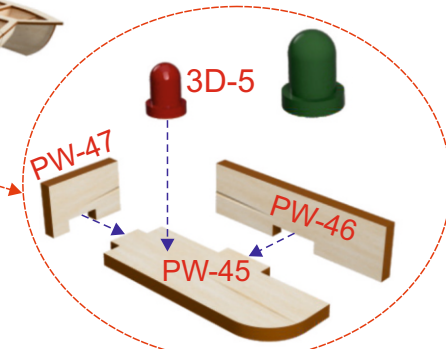
Tilpass og form metallbeslagene R-3.  
Cut and shape the metal sheet.

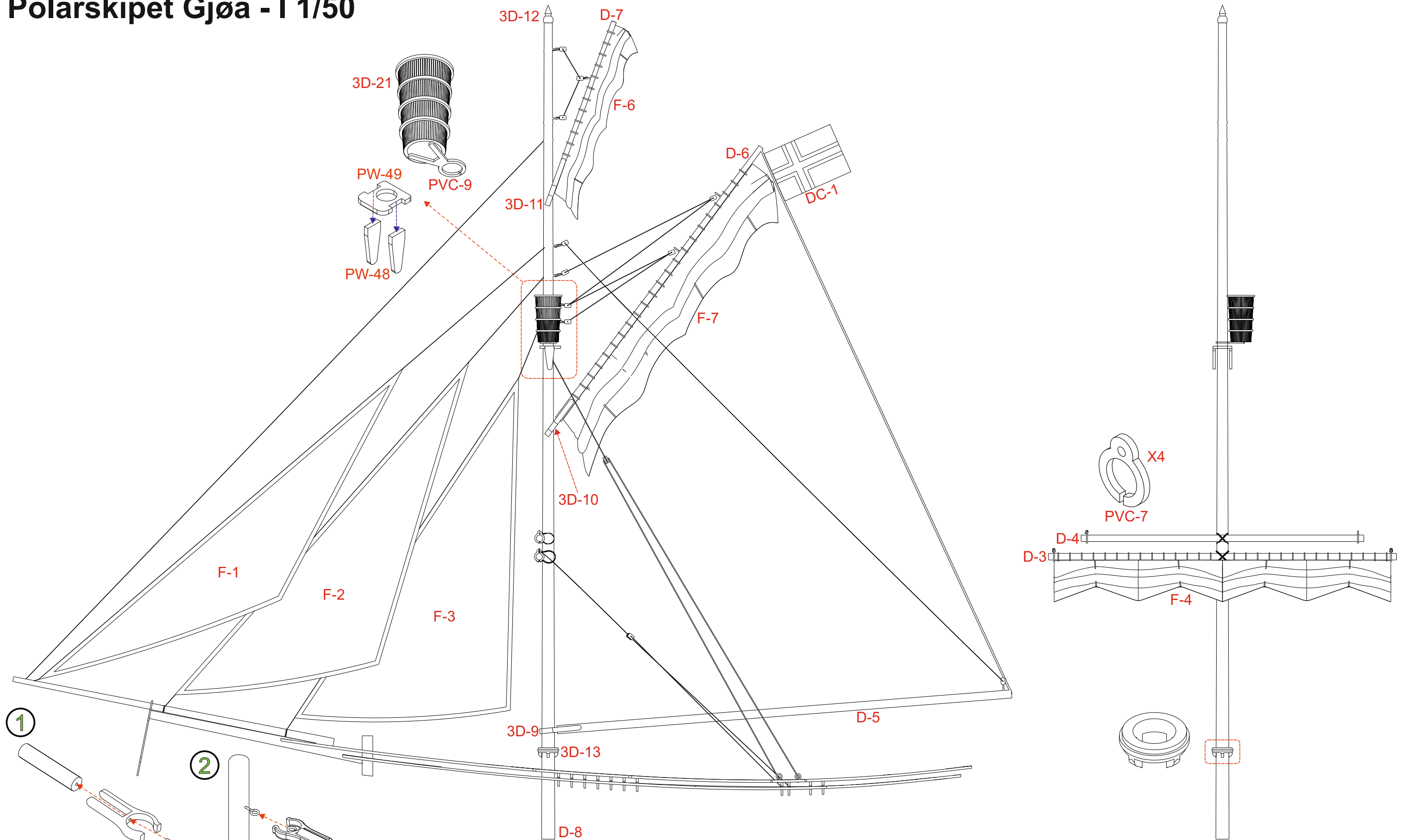


Kutt og tilpass metallfestene i skroget for taustigene til masten.  
Cut and fit the metal fasteners in the hull for the rope ladders to the mast.



Se side 7.  
See page 7.



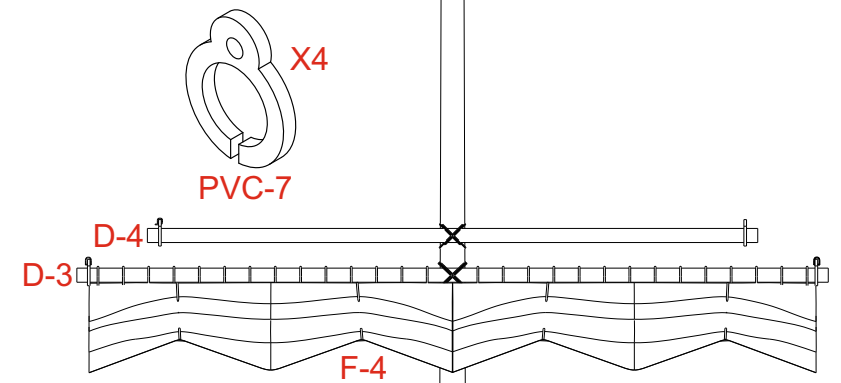


1

2

Tilpass 3D 9-10-11.  
3D 9-10-11 connecting

Noen seil er her sammenfoldet.  
Optimalt er full seilføring.  
Some of sails are given folded.  
Unfolded sails are optimal.



D-4 bom er senket, uten sammenbrettet seil.  
F-5 seil kan monteres utbrettet.  
D-4 boom is settled folded.  
You can unfold adjusting to F5 sail.

## Gjøa Part List

No	Item	Description	Size	Type
0	1	Keel	4 mm	<i>Recycled Wood</i>
1-11	11	Frames	4 mm	<i>Recycled Wood</i>
12-13	4	Frame Locks	4 mm	<i>Recycled Wood</i>
14	2	Wedges	4 mm	<i>Recycled Wood</i>
15	1	Rudder	4 mm	<i>Recycled Wood</i>
16	2	Life Boat Hangs	4 mm	<i>Recycled Wood</i>
17	1	Boom Fixer Part	4 mm	<i>Recycled Wood</i>
18	2	Boom Fixer Part	4 mm	<i>Recycled Wood</i>
19	1	Main Mast Part	4 mm	<i>Recycled Wood</i>
20	2	Thick Rail	4 mm	<i>Recycled Wood</i>
21	36	Fake Frames	4 mm	<i>Recycled Wood</i>
22	1	Rudder Additional Part	4 mm	<i>Recycled Wood</i>
23	1	Middle Building Steps	4 mm	<i>Recycled Wood</i>
24	1	Base Front	4 mm	<i>Recycled Wood</i>
25	1	Base Back	4 mm	<i>Recycled Wood</i>
26	2	Base Side	4 mm	<i>Recycled Wood</i>
27	1	Base Middle	4 mm	<i>Recycled Wood</i>
28	4	Fake Frames Reference	4 mm	<i>Recycled Wood</i>
PW-1	1	Deck	1.5 mm	<i>Recycled Wood</i>
PW-2	2	Panels	1.5 mm	<i>Recycled Wood</i>
PW-3	2	Fake Frames Bottom Back	1.5 mm	<i>Recycled Wood</i>
PW-4	2	Fake Frames Bottom Front	1.5 mm	<i>Recycled Wood</i>
PW-5	2	Bottom Rail Back	1.5 mm	<i>Recycled Wood</i>
PW-6	2	Bottom Rail Front	1.5 mm	<i>Recycled Wood</i>
PW-7	4	Support Rail Back	1.5 mm	<i>Recycled Wood</i>
PW-8	4	Support Rail Front	1.5 mm	<i>Recycled Wood</i>
PW-9	2	Top Rail Back	1.5 mm	<i>Recycled Wood</i>
PW-10	2	Top Rail Front	1.5 mm	<i>Recycled Wood</i>
PW-11	2	Back Building Side	1.5 mm	<i>Recycled Wood</i>
PW-12	1	Back Building Front	1.5 mm	<i>Recycled Wood</i>
PW-13	1	Back Building Middle	1.5 mm	<i>Recycled Wood</i>
PW-14	1	Back Building Top	1.5 mm	<i>Recycled Wood</i>
PW-15	2	Back Building Sliding Outside	1.5 mm	<i>Recycled Wood</i>
PW-16	1	Back Building Door Lid	1.5 mm	<i>Recycled Wood</i>
PW-17	1	Back Building Door	1.5 mm	<i>Recycled Wood</i>
PW-18	2	Back Building Sliding Inside	1.5 mm	<i>Recycled Wood</i>
PW-19	1	Back Building Back Lath	1.5 mm	<i>Recycled Wood</i>
PW-20	2	Back Building Side Lath	1.5 mm	<i>Recycled Wood</i>
PW-21	1	Back Building Front Lath	1.5 mm	<i>Recycled Wood</i>
PW-22	4	Back Building Corner Lath	1.5 mm	<i>Recycled Wood</i>
PW-23	1	Back Building Back	1.5 mm	<i>Recycled Wood</i>
PW-24	6	Life Boat Rows	1.5 mm	<i>Recycled Wood</i>
PW-25	2	Back Storage Building Side	1.5 mm	<i>Recycled Wood</i>
PW-26	2	Back Storage Building Top	1.5 mm	<i>Recycled Wood</i>
PW-27	2	Back Storage Building Front	1.5 mm	<i>Recycled Wood</i>
PW-28	2	Ship Name	1.5 mm	<i>Recycled Wood</i>
PW-29	1	Middle Building Right	1.5 mm	<i>Recycled Wood</i>
PW-30	1	Middle Building Left	1.5 mm	<i>Recycled Wood</i>
PW-31	1	Middle Building Front	1.5 mm	<i>Recycled Wood</i>
PW-32	1	Middle Building Top	1.5 mm	<i>Recycled Wood</i>
PW-33	1	Middle Building Back	1.5 mm	<i>Recycled Wood</i>
PW-34	1	Middle Building Door	1.5 mm	<i>Recycled Wood</i>
PW-35	4	Front Windlass Legs	1.5 mm	<i>Recycled Wood</i>
PW-36	2	Corner Gate Side Long	1.5 mm	<i>Recycled Wood</i>
PW-37	2	Corner Gate Side Short	1.5 mm	<i>Recycled Wood</i>
PW-38	2	Corner Gate Side Front	1.5 mm	<i>Recycled Wood</i>
PW-39	2	Corner Gate Side Top	1.5 mm	<i>Recycled Wood</i>
PW-40	2	Front Middle Gate Side	1.5 mm	<i>Recycled Wood</i>
PW-41	1	Front Middle Gate Front	1.5 mm	<i>Recycled Wood</i>
PW-42	1	Front Middle Gate Top	1.5 mm	<i>Recycled Wood</i>
PW-43	2	Mast Support Legs	1.5 mm	<i>Recycled Wood</i>
PW-44	1	Mast Support Top	1.5 mm	<i>Recycled Wood</i>
PW-45	2	Board Light Bottom	1.5 mm	<i>Recycled Wood</i>
PW-46	2	Board Light Side	1.5 mm	<i>Recycled Wood</i>
PW-47	2	Board Light Front	1.5 mm	<i>Recycled Wood</i>
PW-48	2	Mast Beam Leg	1.5 mm	<i>Recycled Wood</i>
PW-49	1	Mast Beam	1.5 mm	<i>Recycled Wood</i>
PW-50	2	Frame Lath	1.5 mm	<i>Recycled Wood</i>
PW-51	1	Large Life Boat Keel	1.5 mm	<i>Recycled Wood</i>
PW-52	1	Large Life Boat Frame	1.5 mm	<i>Recycled Wood</i>
PW-53	1	Large Life Boat Frame	1.5 mm	<i>Recycled Wood</i>
PW-54	1	Large Life Boat Frame	1.5 mm	<i>Recycled Wood</i>
PW-55	1	Large Life Boat Frame	1.5 mm	<i>Recycled Wood</i>
PW-56	1	Large Life Boat Frame	1.5 mm	<i>Recycled Wood</i>
PW-57	1	Large Life Boat Rail	1.5 mm	<i>Recycled Wood</i>
PW-58	2	Large Life Boat Panel	1.5 mm	<i>Recycled Wood</i>
PW-59	2	Large Life Boat Panel	1.5 mm	<i>Recycled Wood</i>
PW-60	2	Large Life Boat Panel	1.5 mm	<i>Recycled Wood</i>
PW-61	2	Large Life Boat Panel	1.5 mm	<i>Recycled Wood</i>

PW-62	2	Large Life Boat Panel	1.5 mm	Recycled Wood	Page 2
PW-63	2	Small Life Boat Keel	1.5 mm	Recycled Wood	
PW-64	2	Small Life Boat Frame	1.5 mm	Recycled Wood	
PW-65	2	Small Life Boat Frame	1.5 mm	Recycled Wood	
PW-66	2	Small Life Boat Frame	1.5 mm	Recycled Wood	
PW-67	2	Small Life Boat Frame	1.5 mm	Recycled Wood	
PW-68	2	Small Life Boat Frame	1.5 mm	Recycled Wood	
PW-69	2	Small Life Boat Rail	1.5 mm	Recycled Wood	
PW-70	32	Small Life Boat Covering Strips	1.5 mm	Recycled Wood	

### 3D Resin

No	Item	Description	Size	Type
3D-1	4	Small Porthole		3D Resin
3D-2	2	Large Porthole		3D Resin
3D-3	4	Life Boat Hangs		3D Resin
3D-4	2	Barrel		3D Resin
3D-5	2	Lights		3D Resin
3D-6	2	Hinge Male		3D Resin
3D-7	2	Hinge Female		3D Resin
3D-8	1	Back Frame Part		3D Resin
3D-9	1	Bottom Beam Fixing Part		3D Resin
3D-10	1	Middle Beam Fixing Part		3D Resin
3D-11	1	Top Beam Fixing Part		3D Resin
3D-12	1	Mast Top Part		3D Resin
3D-13	1	Main Mast Ring		3D Resin
3D-14	2	Middle Windlass Heads		3D Resin
3D-15	1	Middle Windlass Middle Legs		3D Resin
3D-16	2	Middle Windlass Legs		3D Resin
3D-17	1	Thin Front Beam Fixing Right		3D Resin
3D-18	1	Thin Front Beam Fixing Left		3D Resin
3D-19	2	Anchor		3D Resin
3D-20	2	Anchor Bar		3D Resin
3D-21	1	Tower Barrel		3D Resin
3D-22	2	Front Windlass Heads		3D Resin
3D-23	2	Front Windlass Part		3D Resin
3D-24	2	Front Windlass Part		3D Resin
3D-25	1	Front Windlass Part		3D Resin
3D-26	2	Front Storage Part Right		3D Resin
3D-27	1	Back Building Top Part Left		3D Resin
3D-28	1	Back Building Top Part Right		3D Resin
3D-29	1	Propellar Fixing Part		3D Resin
3D-30	1	Propellar		3D Resin
3D-31	2	Front Storage Part Left		3D Resin

### 0.75 PVC

No	Item	Description	Size	Type
PVC-1	2	Front Middle Gate Glass	0.75 mm	PVC
PVC-2	2	Middle Building Glass	0.75 mm	PVC
PVC-3	4	Barrel Legs	0.75 mm	PVC
PVC-4	2	Front Storage Glass	0.75 mm	PVC
PVC-5	2	Back Storage Glass	0.75 mm	PVC
PVC-6	2	Back Building Top Glass	0.75 mm	PVC
PVC-7	4	Beam Rings	0.75 mm	PVC
PVC-8	1	Front Beams Connect Part	0.75 mm	PVC
PVC-9	1	Barrel Fixing Ring	0.75 mm	PVC

### Ready

No	Item	Description	Size	Type
S-1	44	Covering Strips	1.9x5.5x500 mm	Wooden
W-1	20	Belaying Pins		Wooden
W-2	18	Deadeyes		Wooden
W-3	30	Blocks Single Hole		Wooden
R-1	50	Eyebolt		Metal
R-2	1000 mm	Chain		Metal
R-3	1	Metal Sheet	50x50 mm	Metal
R-4	100 mm	Coil Wire	0.8 mm	Metal
F 1-7	7	Sails		Fabric
Y-1	25 m	Rope		Yarn
K-1	50	Deck Covering Strips	0.5x4x500 mm	Wooden

### Stickers

No	Item	Description	Size	Type
DC-1	1	Flag		Sticker
DC-2	1	Hole Reference		Sticker

### Mast

No	Item	Description	Size	Type
D-1	1	Front Beam Top	3x5x200 mm	Wooden
D-2	1	Front Beam Bottom	5x7x135 mm	Wooden
D-3	1	Beam Bottom	4x215 mm	Wooden
D-4	1	Beam Top	4x175 mm	Wooden
D-5	1	Boom Mast Bottom	5x280 mm	Wooden
D-6	1	Boom Mast Middle	3x4x210 mm	Wooden
D-7	1	Boom Mast Bottom	3x105 mm	Wooden
D-8	1	Main Mast	5x8x500 mm	Wooden