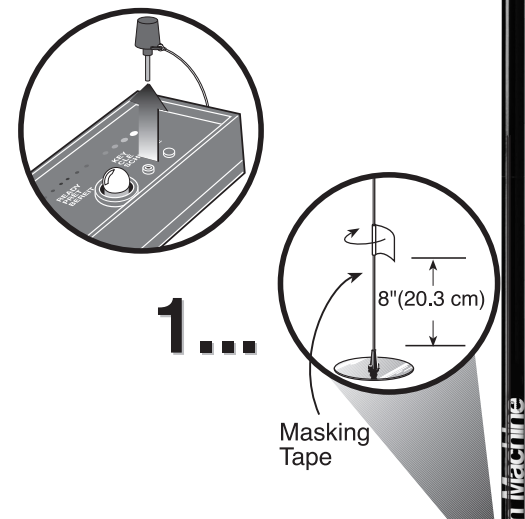


COUNTDOWN AND LAUNCH

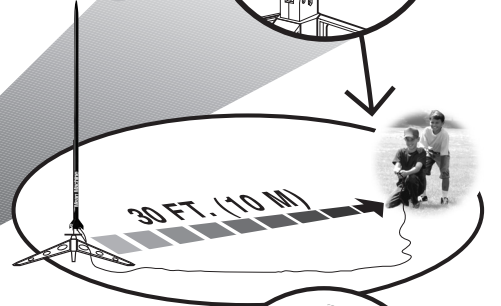
KEY ALWAYS OUT UNTIL FINAL COUNTDOWN!



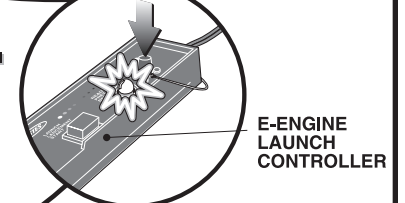
2...



3...



4...



5...



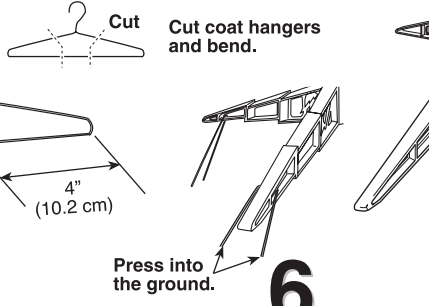
WHILE HOLDING KEY DOWN FIRMLY, PRESS LAUNCH BUTTON UNTIL LIFT OFF!

NOTE: When finished launching your Mean Machine™ rocket can be taken apart for transport & storage.

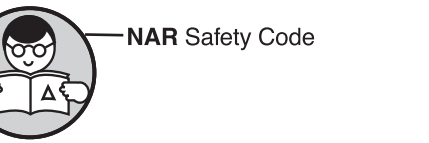
FLYING YOUR ROCKET

Due to the rocket's length, additional launch pad stability is required. Weight down or secure your pad with bricks or coat hanger stakes using the following procedure.

Cut three hold-down stakes from coat hangers as shown. Adjust the launch pad on level ground. Pass the stake hooks through the launch pad legs, then push the stakes firmly into the ground. Check to be sure the pad is held down securely before proceeding.



PRECAUTIONS



PRE-LAUNCH CHECK

For safety, never launch a damaged rocket. Check the rocket's body, nose cone and fins. Also, check the engine mount, recovery system and launch lugs(s). Repair any damage before launching the rocket.

FLYING YOUR ROCKET

Choose a large field (500 ft. [152 m] square) free of dry weeds and brown grass. The larger the launch area, the better your chance of recovering your rocket. Football fields and playgrounds are great. Launch only with little or no wind and good visibility.

Always follow the enclosed National Association of Rocketry (NAR) SAFETY CODE.

MISFIRES

TAKE THE KEY OUT OF THE CONTROLLER. WAIT ONE MINUTE BEFORE GOING NEAR THE ROCKET! Disconnect the igniter clips and remove the engine. Take the plug and igniter out of the engine. If the igniter has burned, it worked but did not ignite the engine because it was not touching the propellant inside the engine. Put a new igniter all the way inside the engine without bending it. Push the plug in place. Repeat the steps under Countdown and Launch.



Mean Machine™

FLYING MODEL ROCKET KIT INSTRUCTIONS

KEEP FOR FUTURE REFERENCE

www.estesrockets.com
Estes Industries
1295 H Street
Penrose, CO 81240
Printed in China

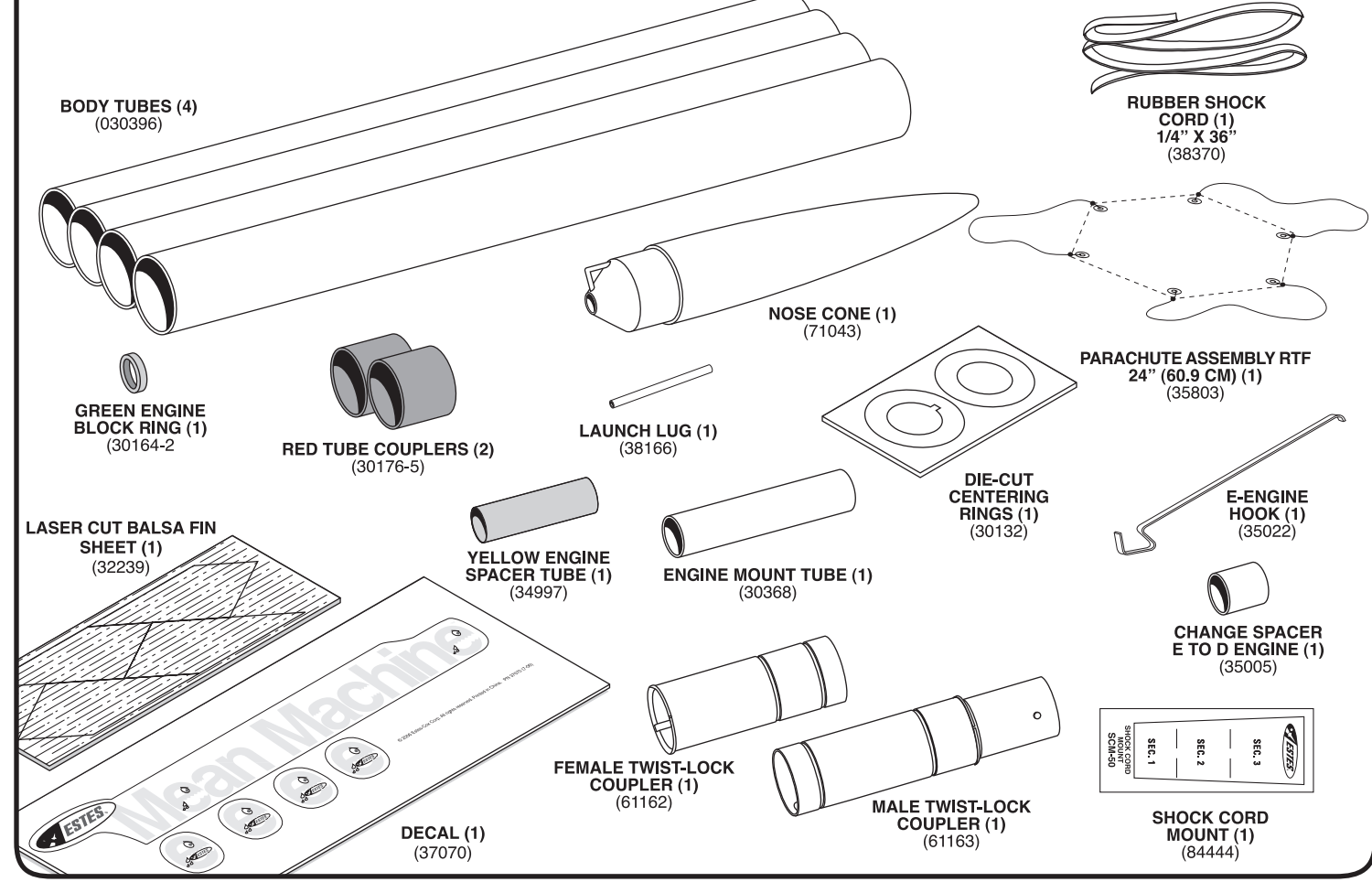
ASSEMBLY TIP

Read all instructions before beginning work on your model. Make sure you have all parts and supplies.

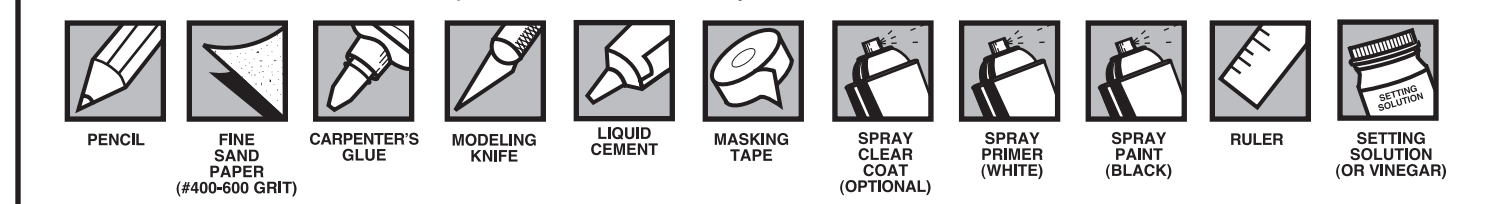
TEST-FIT ALL PARTS TOGETHER BEFORE APPLYING ANY GLUE. If any parts don't fit properly, sand as required for precision assembly.

PARTS

Locate the parts shown below and lay them out on the table in front of you. DO NOT USE THIS DRAWING TO ASSEMBLE YOUR ROCKET.

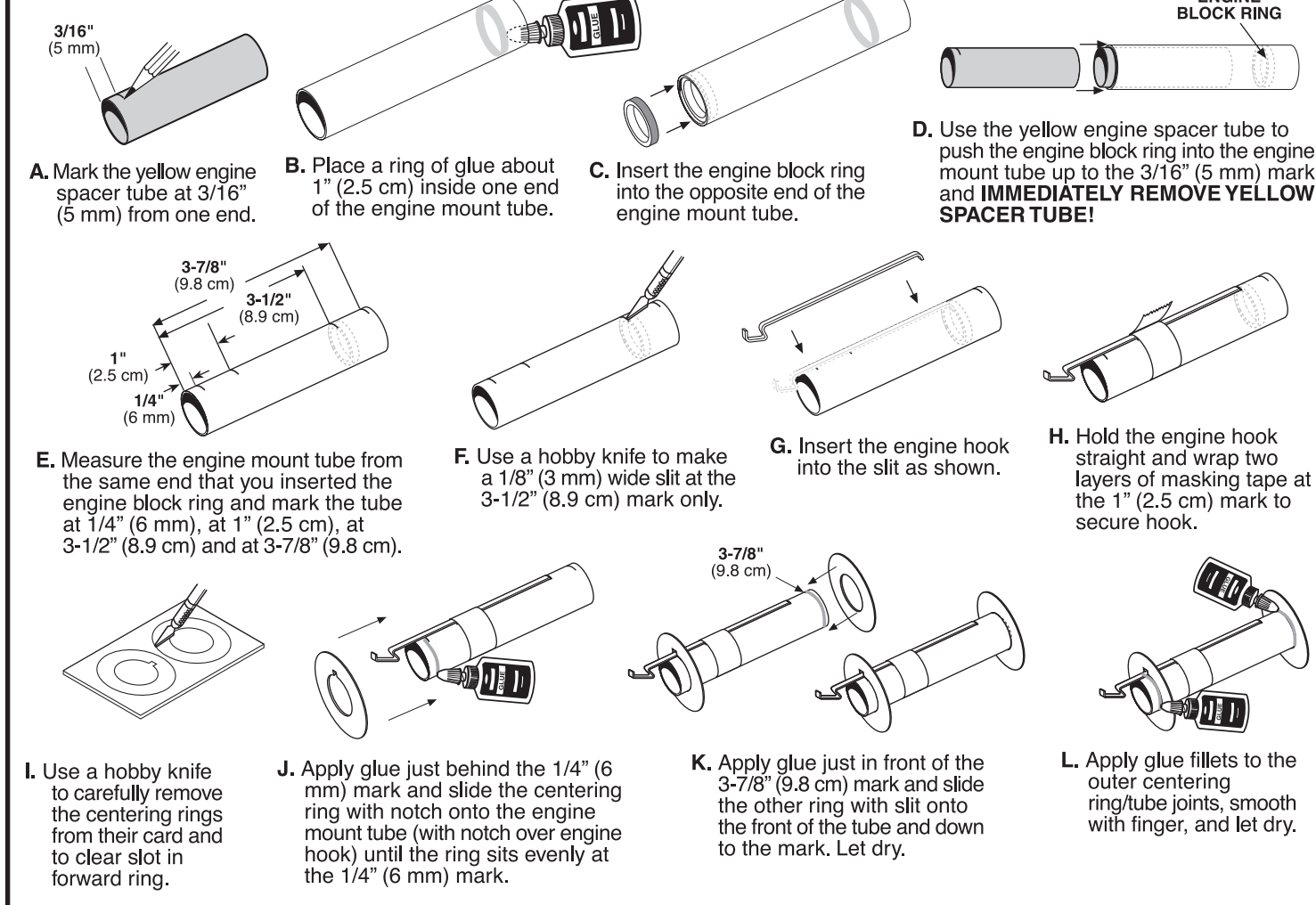


SUPPLIES

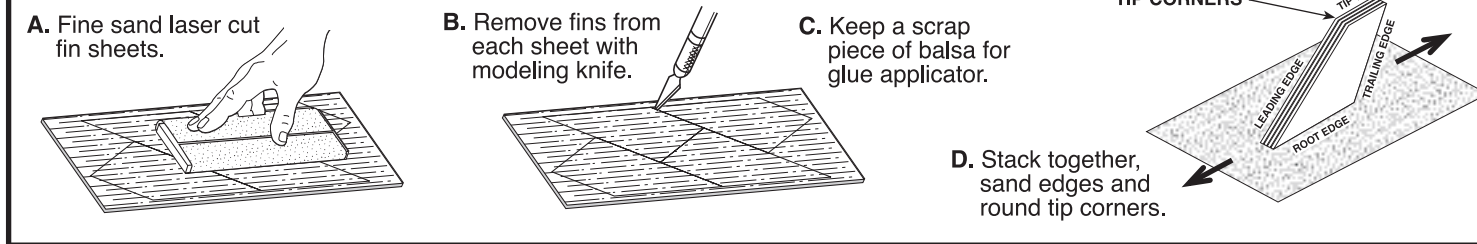


ALL GLUED AREAS ARE SHADED IN GRAY.

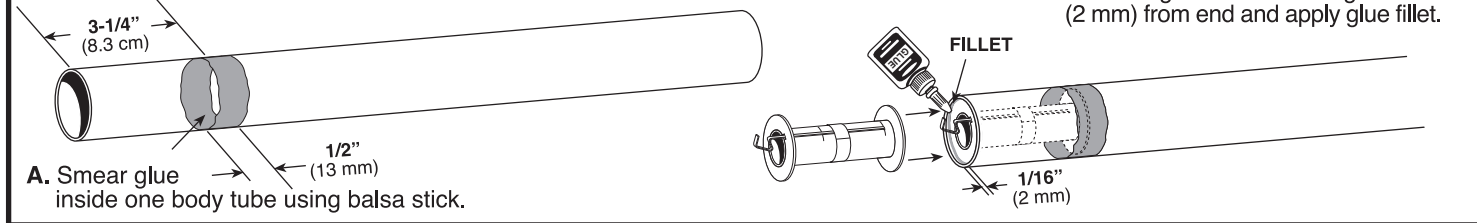
1. ASSEMBLE ENGINE MOUNT



2. PREPARE FIN



3. INSTALL ENGINE MOUNT



4. MARK FIN AND LAUNCH LUG LINES

