



**SPEKTRUM®**

**DX3™**

**2.4GHZ DIGITAL RADIO SYSTEM**

**Instruction Manual  
Bedienungsanleitung  
Manuel d'utilisation  
Manuale di Istruzioni**

**NOTICE**

All instructions, warranties and other collateral documents are subject to change at the sole discretion of Horizon Hobby, LLC. For up-to-date product literature, visit [horizonhobby.com](http://horizonhobby.com) or [towerhobbies.com](http://towerhobbies.com) and click on the support or resources tab for this product.

**Meaning of Special Language**

The following terms are used throughout the product literature to indicate various levels of potential harm when operating this product:

**WARNING:** Procedures, which if not properly followed, create the probability of property damage, collateral damage, and serious injury OR create a high probability of superficial injury.

**CAUTION:** Procedures, which if not properly followed, create the probability of physical property damage AND a possibility of serious injury.

**NOTICE:** Procedures, which if not properly followed, create a possibility of physical property damage AND a little or no possibility of injury.



**WARNING:** Read the ENTIRE instruction manual to become familiar with the features of the product before operating.

Failure to operate the product correctly can result in damage to the product, personal property and cause serious injury.

This is a sophisticated hobby product. It must be operated with caution and common sense and requires some basic mechanical ability. Failure to operate this Product in a safe and responsible manner could result in injury or damage to the product or other property. This product is not intended for use by children without direct adult supervision. Do not attempt disassembly, use with Incompatible components or augment product in any way without the approval of Horizon Hobby, LLC. This manual contains instructions for safety, operation and maintenance. It is essential to read and follow all the instructions and warnings in the manual, prior to assembly, setup or use, in order to operate correctly and avoid damage or serious injury.



**WARNING AGAINST COUNTERFEIT PRODUCTS:** Always purchase from a Horizon Hobby, LLC authorized dealer to ensure authentic high-quality Spektrum product. Horizon Hobby, LLC disclaims all support and warranty with regards, but not limited to, compatibility and performance of counterfeit products or products claiming compatibility with DSM or Spektrum technology.

**Age Recommendation: Not for Children under 14 years. This is not a toy.**

**NOTICE:** This product is only intended for use with unmanned, hobby-grade, remote-controlled vehicles. Horizon Hobby disclaims all liability outside of the intended purpose and will not provide warranty service related thereto.

**SAFETY PRECAUTIONS**

- Always ensure all batteries have been properly charged prior to using the model.
- Always check all servos and their connections prior to each run.
- Never operate your model near spectators, parking areas or any other area that could result in injury to people or damage of property.
- Never operate your model during adverse weather conditions. Poor visibility can cause disorientation and loss of control of your model.
- Never point the transmitter antenna directly toward the model. The radiation pattern from the tip of the antenna is inherently low.
- If at any time during the operation of your model you observe any erratic or abnormal operation, immediately stop operation of your model until the cause of the problem has been ascertained and corrected.

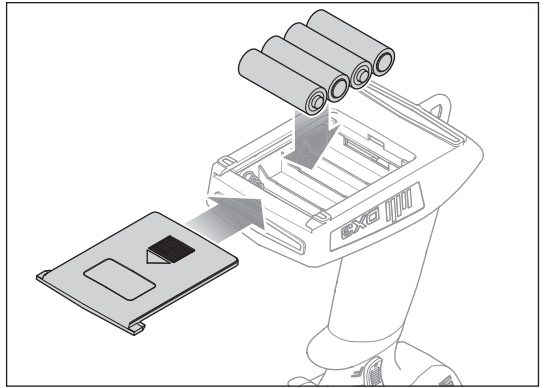
## INSTALLING THE TRANSMITTER BATTERIES

This transmitter requires 4 AA batteries.

1. Remove the battery cover from the transmitter.
2. Install the batteries as shown.
3. Install the battery cover.

**CAUTION:** If using rechargeable batteries, charge only rechargeable batteries. Charging non-rechargeable batteries may cause the batteries to burst, resulting in injury to persons and/or damage to property.

**CAUTION:** Risk of explosion if battery is replaced by an incorrect type. Dispose of used batteries according to national regulations.



## TRANSMITTER FUNCTIONS

### A/B. Channel 3 Button

### C. Throttle/Brake

### D. Steering Wheel

### E. Steering Rate

Adjusts the end point of the steering

### F. Brake Rate

Adjusts the braking end point.

### G. Steering Trim

Adjusts the steering center point. Normally, the steering trim is adjusted until the vehicle tracks straight.

### H. Throttle Trim

Adjusts the throttle neutral point

### I. SMART Battery Level Indicator

### J. Servo Reversing

To reverse the Throttle (TH) or Steering (ST) channel, switch the position of the correlating switch—"N" is for normal, "R" is for reverse.

### K. Throttle Limit

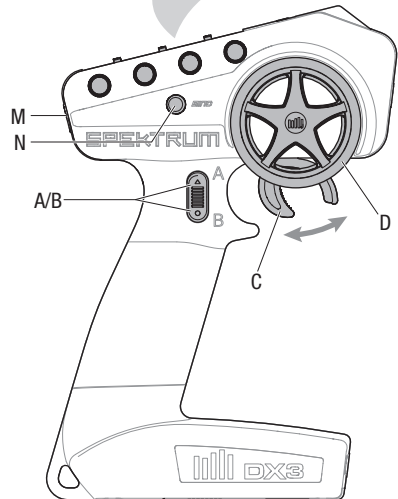
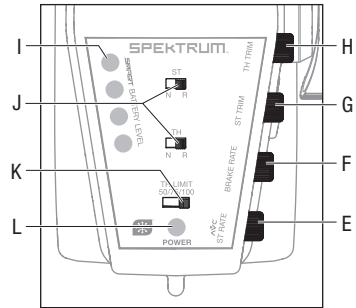
Limits throttle output to 50/75/100%  
Select 50% or 75% for less experienced drivers or when you are driving the vehicle in a small area.

### L. Power LED

- **Solid red lights:** Indicates radio connectivity and adequate battery power
- **Flashing red lights:** Indicates the battery voltage is critically low. Replace batteries

### M. Power Button

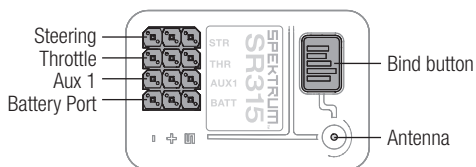
### N. Bind Button



## SR315 RECEIVER

### Specifications

**Type:** DSMR® (DSM2® compatible)  
**Dimensions (LxWxH):** 32.5mm × 21.5mm × 13.4mm  
**Antenna Length:** 3.5 in (90mm)  
**Channels:** 3  
**Weight:** 6g  
**Band:** 2.4GHz (2404 MHz – 2476 MHz)  
**Voltage Range:** 3.5–9.6V



## BINDING

Binding is the process of programming the receiver to recognize the GUID (Globally Unique Identifier) code of a single specific transmitter. The DX3™ transmitter and SR315 receiver are bound at the factory. If you need to rebind, follow the instructions below. You must rebind when:

- Different failsafe positions are desired e.g., when throttle or steering reversing has been changed.
- Binding the receiver to a different transmitter.
- Binding the transmitter to a different receiver.

Failsafe position is set during binding. In the unlikely event that the radio link is lost during use, the receiver will drive all channels to its programmed failsafe position. The included SR315 receiver may be bound in either of two failsafe modes, Standard Mode or Preset (Gas) Mode.

### Standard Mode (default)

If loss of signal occurs, SmartSafe™ technology moves the **throttle channel** to its designated failsafe position (low throttle, neutral trigger) that was set during binding. All other channels hold their last position. When the receiver detects signal from the transmitter, normal operation resumes.

To bind in Standard Mode:

1	Center the throttle trim knob on the transmitter and ensure the throttle trigger is at the neutral position.
2	Push and hold the receiver bind button.
3	Power on the receiver. The receiver LED will flash rapidly.
4	Release the receiver bind button.
5	Push and hold the transmitter bind button.
6	Power on the transmitter. The transmitter power LED will flash and glow solid when binding is complete.
7	Release the transmitter bind button.

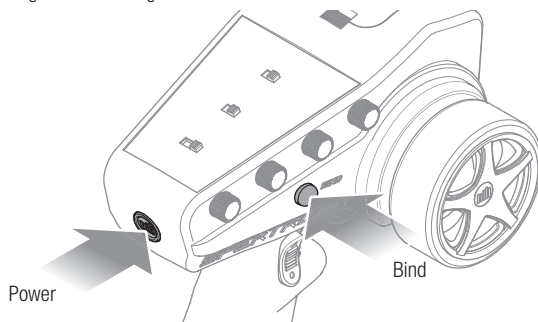
### Preset (Gas) Mode

Preset failsafe is ideal for most nitro/gas vehicles. With preset failsafe, **all channels** go to their preset failsafe positions if the signal is lost, preventing an out of control situation. When the receiver detects signal from the transmitter, normal operation resumes.

To bind in Preset Mode:

1	Center the throttle trim knob on the transmitter and ensure the throttle trigger is at the neutral position.
2	Push and hold the receiver bind button.
3	Power on the receiver. The receiver LED will flash rapidly. Keep the receiver bind button depressed until the bind process is complete.
4	Push and hold the transmitter bind button.
5	Power on the transmitter. The transmitter power LED will flash and glow solid when binding is complete.
6	Power off the receiver.
7	Release the receiver bind button.

If using a SMART ESC and SMART battery, the transmitter SMART Battery Level indicator will show the vehicle battery level within 10 seconds of powering on and binding.



### Using An AVC® (Active Vehicle Control) Receiver With the DX3 Transmitter

If using an AVC receiver, such as the SR6100AT, follow bind and calibration instructions as indicated in the receiver manual. To use the DX3's CH3 functions with AVC activated, plug into the AUX3 port on the receiver. Use the CH3 A and B buttons as usual.

## TRANSMITTER PROGRAMMING

### End Point Adjustment Mode

The default end point value is 100% for both steering and throttle/brake. The maximum end point value is 150% with adjustment.

To adjust the endpoints of the steering and throttle/brake:

1. Power the transmitter on while holding the steering wheel full right and holding the trigger at full brake. The power LED flashes blue to indicate the transmitter is in end point adjustment mode.

#### Steering:

2. Turn and hold the steering wheel full left. Turn the steering rate knob to set desired end point.
3. Release the steering wheel and reset the steering rate knob to full.
4. Turn and hold the steering wheel full right and turn steering rate knob to set desired end point.
5. Release the steering wheel.

If you are adjusting the throttle/brake end points, continue to the next section. If you are not adjusting the throttle/brake end points, power off the radio now to save the settings. Set the rate and brake rate knobs back to the desired positions before operating the vehicle.

#### Throttle/Brake:

6. Set the throttle limit (TH LIMIT) switch to 100.
7. Hold the trigger at full throttle.
8. Turn the brake rate knob to set desired end point.
9. Release trigger and reset brake rate knob to full.
10. Hold the trigger at full brake.
11. Turn the brake rate knob to set the desired end point.
12. Release the trigger.
13. Power off to finish.
14. Set the steering rate and brake rate knobs back to the desired positions before operating vehicle.

### CH3 programming, Aux Point Mode

Channel 3 has two modes available, 3-position momentary (press and release) mode and 5-position latching (press and hold position) modes.

To select between the modes, power on the transmitter while holding the bind button, the steering wheel full right and the trigger at full brake.

The power LED flashes purple to show AUX channel programming mode is active.

A number of tones sound to indicate the current mode:

- 3 tones for 3-position momentary mode.
- 5 tones for 5-position latching mode.

#### 3-position momentary mode

1. Press the B button. Three audible tones indicate 3-position momentary mode is active.
2. Set the middle point position with the A and B buttons and save it by pressing the bind button. The center two LEDs of the SMART battery level indicator illuminate to indicate the center point is saved.
3. Set the high point position (button A) by turning the steering rate knob. If only two positions are needed, power off the transmitter. Otherwise, press the bind button to proceed to set the low position. The top LED illuminates to indicate the point is saved.

4. Set the low point position by turning the steering rate knob. Press the bind button to save the position. The transmitter powers off, indicating the programming process is complete.

Start the process over at any time prior to saving the low point position by pressing either the A or B button.

Remember to return steering rate knob to the desired position when the programming process is complete.

#### 5-position latching mode

1. Press the A button. Five audible tones indicate 5-position latching mode is active. The bottom LED illuminates.
2. Set point position 1 (start position) by turning the steering rate knob. Press the bind button to save the position and move to position 2. The bottom two LEDs illuminate.
3. Set point position 2 by turning the steering rate knob. Power off the transmitter if only 2 positions are required, or press the bind button to save the position and move to position 3. The middle two LEDs illuminate.
4. Set point position 3 by turning the steering rate knob. Power off the transmitter if only 3 positions are required, or press the bind button to save the position and move to position 4. The top two LEDs illuminate.
5. Set point position 4 by turning the steering rate knob. Power off the transmitter if only 4 positions are required, or press the bind button to save the position and move to position 5. The top LED illuminates.
6. Set point position 5 by turning the steering rate knob. Press the bind button to save the position. The transmitter powers off, indicating the programming process is complete.

Start the process over at any time prior to saving the low point position by pressing either the A or B button.

Remember to return steering rate knob to the desired position when the programming process is complete.

During normal operation, use the A and B buttons to scroll through the channel positions.

- Pressing A moves up through the positions.
- Pressing B moves down through the positions.

The transmitter stores the last position when powered off.

#### Adjusting the LED Brightness

The transmitter LEDs have four possible brightness levels.

To change the brightness level:

1. Press and hold the power button to power the transmitter on.
2. While holding the power button, press the A button to increase the brightness, or press the B button to decrease the brightness. The SMART battery level LEDs show the current brightness level.
3. Release the power button to save the brightness level and activate RF.

The LED brightness will be stored when the transmitter is powered off.

#### Factory Reset Mode

Resetting the transmitter to factory settings resets the AUX channel mode, the AUX channel point positions and the endpoints of the steering wheel and trigger.

To reset the transmitter to the factory settings, power on the transmitter while holding the steering wheel to full left and the trigger to full brake.

## 2.4GHZ TROUBLESHOOTING GUIDE

Problem	Possible Cause	Solution
The system will not connect	Your transmitter and receiver are too close together	Move transmitter 1 to 3 meters from receiver
	You are around metal objects	Move to an area with less metal
	The model selected is not the model bound to	Check model selected and ensure you are bound to that model
	Your transmitter was accidentally put into bind mode and is no longer bound to your receiver	Rebind your transmitter and receiver
The receiver goes into failsafe mode a short distance away from the transmitter	Check the receiver antenna to be sure it is not cut or damaged	Replace the receiver or contact Horizon Product Support
		Make sure your receiver antenna is in an antenna tube and is above the vehicle
The receiver quits responding during operation	Inadequate battery voltage	Charge batteries. Spektrum receivers require at least 3.5V to operate. An inadequate power supply can allow voltage to momentarily drop below 3.5V and cause the receiver to brown out and reconnect
	Loose or damaged wires or connectors between battery and receiver	Check the wires and connection between the battery and receiver. Repair or replace wires and/or connectors

## 1 YEAR LIMITED WARRANTY

### What this Warranty Covers

Horizon Hobby, LLC, (Horizon) warrants to the original purchaser that the product purchased (the "Product") will be free from defects in materials and workmanship for a period of 1 year from the date of purchase.

### What is Not Covered

This warranty is not transferable and does not cover (i) cosmetic damage, (ii) damage due to acts of God, accident, misuse, abuse, negligence, commercial use, or due to improper use, installation, operation or maintenance, (iii) modification of or to any part of the Product, (iv) attempted service by anyone other than a Horizon Hobby authorized service center, (v) Product not purchased from an authorized Horizon dealer, (vi) Product not compliant with applicable technical regulations, or (vii) use that violates any applicable laws, rules, or regulations.

OTHER THAN THE EXPRESS WARRANTY ABOVE, HORIZON MAKES NO OTHER WARRANTY OR REPRESENTATION, AND HEREBY DISCLAIMS ANY AND ALL IMPLIED WARRANTIES, INCLUDING, WITHOUT LIMITATION, THE IMPLIED WARRANTIES OF NON-INFRINGEMENT, MERCHANTABILITY AND FITNESS FOR A PARTICULAR PURPOSE. THE PURCHASER ACKNOWLEDGES THAT THEY ALONE HAVE DETERMINED THAT THE PRODUCT WILL SUITABLY MEET THE REQUIREMENTS OF THE PURCHASER'S INTENDED USE.

### Purchaser's Remedy

Horizon's sole obligation and purchaser's sole and exclusive remedy shall be that Horizon will, at its option, either (i) service, or (ii) replace, any Product determined by Horizon to be defective. Horizon reserves the right to inspect any and all Product(s) involved in a warranty claim. Service or replacement decisions are at the sole discretion of Horizon. Proof of purchase is required for all warranty claims. SERVICE OR REPLACEMENT AS PROVIDED UNDER THIS WARRANTY IS THE PURCHASER'S SOLE AND EXCLUSIVE REMEDY.

### Limitation of Liability

HORIZON SHALL NOT BE LIABLE FOR SPECIAL, INDIRECT, INCIDENTAL OR CONSEQUENTIAL DAMAGES, LOSS OF PROFITS OR PRODUCTION OR COMMERCIAL LOSS IN ANY WAY, REGARDLESS OF WHETHER SUCH CLAIM IS BASED IN CONTRACT, WARRANTY, TORT, NEGLIGENCE, STRICT LIABILITY OR ANY OTHER THEORY

OF LIABILITY, EVEN IF HORIZON HAS BEEN ADVISED OF THE POSSIBILITY OF SUCH DAMAGES. Further, in no event shall the liability of Horizon exceed the individual price of the Product on which liability is asserted. As Horizon has no control over use, setup, final assembly, modification or misuse, no liability shall be assumed nor accepted for any resulting damage or injury. By the act of use, setup or assembly, the user accepts all resulting liability. If you as the purchaser or user are not prepared to accept the liability associated with the use of the Product, purchaser is advised to return the Product immediately in new and unused condition to the place of purchase.

### Law

These terms are governed by Illinois law (without regard to conflict of law principals). This warranty gives you specific legal rights, and you may also have other rights which vary from state to state. Horizon reserves the right to change or modify this warranty at any time without notice.

### WARRANTY SERVICES

#### Questions, Assistance, and Services

Your local hobby store and/or place of purchase cannot provide warranty support or service. Once assembly, setup or use of the Product has been started, you must contact your local distributor or Horizon directly. This will enable Horizon to better answer your questions and service you in the event that you may need any assistance.

For questions or assistance, please visit our website at [www.horizonhobby.com](http://www.horizonhobby.com), submit a Product Support Inquiry, or call the toll free telephone number referenced in the Warranty and Service Contact Information section to speak with a Product Support representative.

#### Inspection or Services

If this Product needs to be inspected or serviced and is compliant in the country you live and use the Product in, please use the Horizon Online Service Request submission process found on our website or call Horizon to obtain a Return Merchandise Authorization (RMA) number. Pack the Product securely using a shipping carton. Please note that original boxes may be included, but are not designed to withstand the rigors of shipping without additional protection. Ship via a carrier that provides tracking and insurance for lost or damaged parcels, as Horizon is not responsible for

merchandise until it arrives and is accepted at our facility. An Online Service Request is available at [http://www.horizonhobby.com/content/service-center\\_render-service-center](http://www.horizonhobby.com/content/service-center_render-service-center). If you do not have internet access, please contact Horizon Product Support to obtain a RMA number along with instructions for submitting your product for service. When calling Horizon, you will be asked to provide your complete name, street address, email address and phone number where you can be reached during business hours. When sending product into Horizon, please include your RMA number, a list of the included items, and a brief summary of the problem. A copy of your original sales receipt must be included for warranty consideration. Be sure your name, address, and RMA number are clearly written on the outside of the shipping carton.

**NOTICE:** Do not ship LiPo batteries to Horizon. If you have any issue with a LiPo battery, please contact the appropriate Horizon Product Support office.

#### Warranty Requirements

For Warranty consideration, you must include your original sales receipt verifying the proof-of-purchase date. Provided warranty conditions have been met, your Product will be serviced or replaced free of charge. Service or replacement decisions are at the sole discretion of Horizon.

#### Non-Warranty Service

Should your service not be covered by warranty, service will be completed and payment will be required without notification or estimate of the expense unless the expense exceeds 50% of the retail purchase cost. By submitting the item for service you are agreeing to payment of the service without notification. Service estimates are available upon request. You must include this request with your item submitted for service. Non-warranty service estimates will be billed a minimum of ½ hour of labor. In addition you will be billed for return freight. Horizon accepts money orders and cashier's checks, as well as Visa, MasterCard, American Express, and Discover cards. By submitting any item to Horizon for service, you are agreeing to Horizon's Terms and Conditions found on our website [http://www.horizonhobby.com/content/service-center\\_render-service-center](http://www.horizonhobby.com/content/service-center_render-service-center).

**ATTENTION:** Horizon service is limited to Product compliant in the country of use and ownership. If received, a non-compliant Product will not be serviced. Further, the sender will be responsible for arranging return shipment of the un-serviced Product, through a carrier of the sender's choice and at the sender's expense. Horizon will hold non-compliant Product for a period of 60 days from notification, after which it will be discarded.

10/2015

## WARRANTY, SERVICE AND CUSTOMER SERVICE CONTACT INFORMATION

Country of Purchase	Horizon Hobby	Phone Number/Email Address	Address
North America	Horizon Service Center (Repairs and Repair Requests)	<a href="http://servicecenter.horizonhobby.com/RequestForm/">servicecenter.horizonhobby.com/ RequestForm/</a>	2904 Research Rd Champaign, Illinois, 61822 USA
	Horizon Product Support (Product Technical Assistance)	<a href="mailto:productsupport@horizonhobby.com">productsupport@horizonhobby.com</a> 877-504-0233	
	Sales	<a href="mailto:websales@horizonhobby.com">websales@horizonhobby.com</a> 800-338-4639	
European Union	Horizon Technischer Service	<a href="mailto:service@horizonhobby.eu">service@horizonhobby.eu</a>	Hanskampring 9 D 22885 Barsbüttel, Germany
	Sales: Horizon Hobby GmbH	+49 (0) 4121 2655 100	

## FCC INFORMATION

### Contains FCC ID: BRWKATY1T BRWSRIRVINGV1

This device complies with part 15 of the FCC rules. Operation is subject to the following two conditions: (1) This device may not cause harmful interference, and (2) this device must accept any interference received, including interference that may cause undesired operation.

**CAUTION:** Changes or modifications not expressly approved by the party responsible for compliance could void the user's authority to operate the equipment.

This product contains a radio transmitter with wireless technology which has been tested and found to be compliant with the applicable regulations governing a radio transmitter in the 2.400GHz to 2.4835GHz frequency range.

### Supplier's Declaration of Conformity Spectrum DX3 Transmitter with SR315 receiver (SPM2340)

**FC** This device complies with part 15 of the FCC Rules. Operation is subject to the following two conditions: (1) This device may not cause harmful interference, and (2) this device must accept any interference received, including interference that may cause undesired operation.

**CAUTION:** Changes or modifications not expressly approved by the party responsible for compliance could void the user's authority to operate the equipment.

**NOTE:** This equipment has been tested and found to comply with the limits for a Class B digital device, pursuant to part 15 of the FCC Rules. These limits are designed to provide reasonable protection against harmful interference in a residential installation. This equipment generates, uses and can radiate radio frequency energy and, if not installed and used in accordance with the instructions, may cause harmful interference to radio communications. However, there is no guarantee that interference will not occur in a particular installation. If this equipment does cause harmful interference to radio or television reception, which can be determined by turning the equipment off and on, the user is encouraged to try to correct the interference by one or more of the following measures:

- Reorient or relocate the receiving antenna.
- Increase the separation between the equipment and receiver.
- Connect the equipment into an outlet on a circuit different from that to which the receiver is connected.
- Consult the dealer or an experienced radio/TV technician for help.

Horizon Hobby, LLC  
2904 Research Rd.,  
Champaign, IL 61822  
Email: [compliance@horizonhobby.com](mailto:compliance@horizonhobby.com)  
Web: [HorizonHobby.com](http://HorizonHobby.com)

## IC INFORMATION

### IC: 6157A-KATY1T 6157A-SRIRVINGV

This device complies with Industry Canada license-exempt RSS standard(s). Operation is subject to the following two conditions: (1) this device may not cause interference, and (2) this device must accept any interference, including interference that may cause undesired operation of the device.

## COMPLIANCE INFORMATION FOR THE EUROPEAN UNION

**CE** Horizon Hobby, LLC hereby declares that this product is in compliance with the essential requirements and other relevant provisions of the RED Directive. A copy of the EU Declaration of Conformity is available online at: <http://www.horizonhobby.com/content/support-render-compliance>.

**Frequency Band: 2402.0-2478.0 MHz**

**Max EIRP: 17.5 dBm**

### Instructions for Disposal of WEEE by Users in the European Union



This product must not be disposed of with other waste. Instead, it is the user's responsibility to dispose of their waste equipment by handing it over to a designated collection point for the recycling of waste electrical and electronic equipment. The separate collection and recycling of your waste equipment at the time of disposal will help to conserve natural resources and ensure that it is recycled in a manner that protects human health and the environment. For more information about where you can drop off your waste equipment for recycling, please contact your local city office, your household waste disposal service or where you purchased the product.







**SPEKTRUM®**

© 2020 Horizon Hobby, LLC.

DSM, DSM2, DSMR, DX3, AVC, Active Vehicle Control and the Horizon Hobby logo are trademarks or registered trademarks of Horizon Hobby, LLC.

The Spektrum trademark is used with permission of Bachmann Industries, Inc. All other trademarks, service marks and logos are property of their respective owners. US 9,320,977. US 9,930,567. US 10,419,970.