

NOTICE

All instructions, warranties and other collateral documents are subject to change at the sole discretion of Horizon Hobby, LLC. For up-to-date product literature, visit www.horizonhobby.com or www.towerhobbies.com and click on the support or resources tab for this product.

MEANING OF SPECIAL LANGUAGE

The following terms are used throughout the product literature to indicate various levels of potential harm when operating this product:

WARNING: Procedures, which if not properly followed, create the probability of property damage, collateral damage, and serious injury OR create a high probability of superficial injury.

CAUTION: Procedures, which if not properly followed, create the probability of physical property damage AND a possibility of serious injury.

NOTICE: Procedures, which if not properly followed, create a possibility of physical property damage AND a little or no possibility of injury.



WARNING: Read the ENTIRE instruction manual to become familiar with the features of the product before operating. Failure to operate the product correctly can result in damage to the product, personal property and cause serious injury.

This is a sophisticated hobby product. It must be operated with caution and common sense and requires some basic mechanical ability. Failure to operate this Product in a safe and responsible manner could result in injury or damage to the product or other property. This product is not intended for use by children without direct adult supervision. Do not attempt disassembly, use with incompatible components or augment product in any way without the approval of Horizon Hobby, LLC. This manual contains instructions for safety, operation and maintenance. It is essential to read and follow all the instructions and warnings in the manual, prior to assembly, setup or use, in order to operate correctly and avoid damage or serious injury.

Age Recommendation: Not for children under 14 years. This is not a toy.

SAFETY PRECAUTIONS

- **Always** ensure all batteries have been properly charged prior to using the model.
- **Always** keep a safe distance in all directions around your model to avoid collisions or injury. This model is controlled by a radio signal subject to interference from many sources outside your control. Interference can cause momentary loss of control.
- **Never** operate your model during adverse weather conditions. Poor visibility can cause disorientation and loss of control of your model.
- **Never** point the transmitter antenna directly toward the model. The radiation pattern from the tip of the antenna is inherently low.
- If at any time during the operation of your model you observe any erratic or abnormal operation, immediately stop operation of your model until the cause of the problem has been ascertained and corrected.

TRANSMITTER BATTERY SAFETY PRECAUTIONS

- **Never** install damaged batteries.
- **Never** install batteries of mixed types or of different ages in the transmitter.
- **Always** remove exhausted batteries.
- **Always** remove batteries before storing the transmitter.
- Low battery power can result in loss of control of the RC model.

SPECIFICATIONS

- **Weight:** 242g (377g with 4xAAA batteries)
- **Frequency:** 2.4GHz
- **Voltage/Capacity:** 6V DC
- **Power Output:** 120 meters
- **Compatible Receivers:** HRZ00005, HRZ00006, HRZ00002

INSTALLING TRANSMITTER BATTERIES

This transmitter requires 4 AAA batteries.

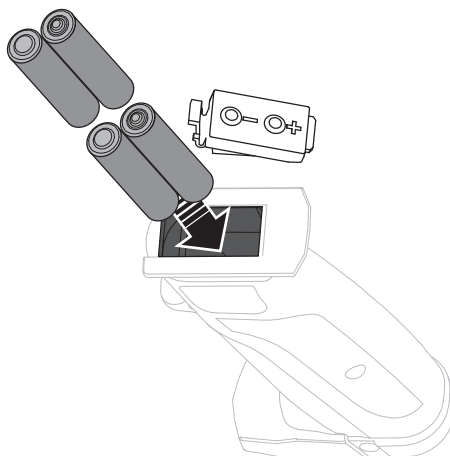
1. Remove the battery cover from the transmitter.
2. Install the batteries as shown.
3. Install the battery cover.



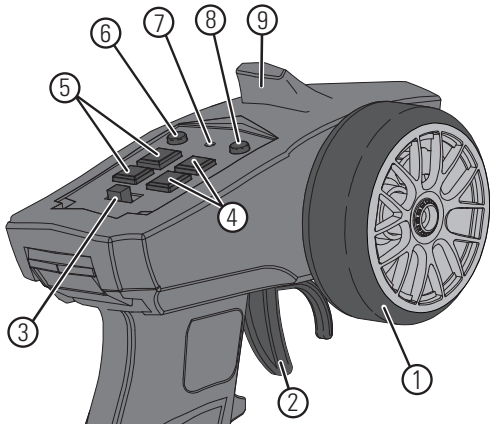
CAUTION: If using rechargeable batteries, charge only rechargeable batteries. Charging non-rechargeable batteries may cause the batteries to burst, resulting in injury to persons and/or damage to property.



CAUTION: Risk of explosion if battery is replaced with an incorrect type. Dispose of used batteries according to national regulations.



TRANSMITTER CONTROLS



- 1. Steering Wheel** Controls direction (left/right) of the model
- 2. Throttle Trigger** Controls speed and direction (forward/brake/reverse) of the model
- 3. ON/OFF Switch** Turns the power ON/OFF
- 4. TH DR/TH Trim** Adjusts the throttle trim/end points
- 5. ST DR/ST Trim** Adjusts the steering trim/end points
- 6. CH 3**
- 7. Indicator Lights**
 - **Solid blue light**—Indicates radio connectivity and adequate battery power
 - **Flashing blue light**—Indicates the battery voltage is critically low. Replace batteries
- 8. REV** Reverses the steering wheel and throttle functions
- 9. Antenna** Transmits the signal to the model

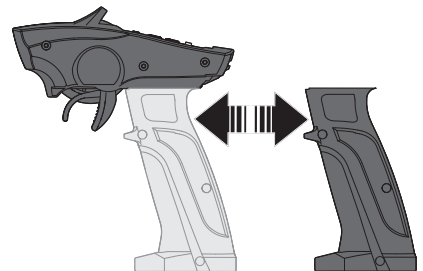
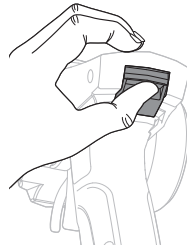
ASSEMBLING AND DISASSEMBLING TRANSMITTER HANDLE

Assemble

1. On the top transmitter portion, press the rear button.
2. Slide the transmitter handle into the track.

Disassemble

1. On the top transmitter portion, press the rear button.
2. Slide the transmitter handle out of the track.

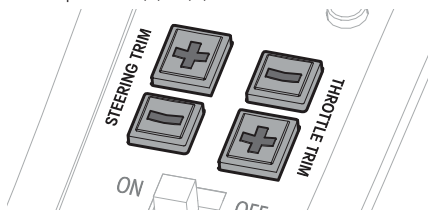


ADJUSTING THE DUAL RATES

The transmitter allows you to adjust steering and throttle dual rates.

Steering Dual Rate

1. Power ON the transmitter.
2. Power ON the model.
3. Apply either the left or right steering input on the transmitter and hold that position.
4. To add or remove steering throw input, hold the steering input button and press the (+) or (–) ST DR button.



Throttle Dual Rate

1. Turn ON transmitter.
2. Turn ON the model.
3. Apply either forward or reverse throttle input on the transmitter and hold that position.
4. To add or remove throttle input, hold the steering input button and press the (+) or (–) ST DR button.

NOTICE: Adjusting the throttle input will negatively affect the self righting feature as it relies on the motor RPM.

NOTICE: Do not adjust the throttle dual rate while the model is powered on and resting on a stand. Adjusting the throttle dual rate may power the motor, which could cause damage to property or personal injury.

BINDING

Binding is the process of programming the receiver to recognize the GUID (Globally Unique Identifier) code of a single specific transmitter.

1. Verify the receiver and transmitter are OFF.
2. Connect a fully charged battery to the receiver.
3. Power ON the transmitter.

4. Press the bind button on the receiver using a small pin and power on the receiver. The LED will flash when binding is in progress.

NOTICE: Do not attempt to bind the transmitter and receiver if there are other compatible transmitters in bind mode within 400 feet. Doing so may result in unexpected binding.

FAILSAFE

1. Power ON the transmitter.
2. Press the bind button on the receiver using a small pin and power on the receiver. The LED will flash then turn solid when Failsafe is set.
3. Remove the bind plug.

TROUBLESHOOTING GUIDE

Problem	Possible Cause	Solution
The system will not connect	Your transmitter and receiver are too close together	Move transmitter a few feet from receiver
	Transmitter or receiver is too close to large metal object, wireless source or another transmitter	Move to another location and attempt binding again
	Your transmitter was accidentally put into bind mode and is no longer bound to your receiver	Rebind your transmitter and receiver
Poor range	Transmitter batteries low	Replace/recharge
	Transmitter antenna is damaged or loose	Check/tighten
	Receiver antenna damaged	Check/repair/replace
The receiver quits responding during operation	Transmitter batteries low	Replace/recharge
	Loose or damaged wires or connectors between battery and receiver	Check the wires and connection between the battery and receiver. Repair or replace wires and/or connectors

1 YEAR LIMITED WARRANTY

What this Warranty Covers—Horizon Hobby, LLC, (Horizon) warrants to the original purchaser that the product purchased (the "Product") will be free from defects in materials and workmanship for a period of 1 year from the date of purchase.

What is Not Covered—This warranty is not transferable and does not cover (i) cosmetic damage, (ii) damage due to acts of God, accident, misuse, abuse, negligence, commercial use, or due to improper use, installation, operation or maintenance, (iii) modification of or to any part of the Product, (iv) attempted service by anyone other than a Horizon Hobby authorized service center, (v) Product not purchased from an authorized Horizon dealer, or (vi) Product not compliant with applicable technical regulations or (vii) use that violates any applicable laws, rules, or regulations.

OTHER THAN THE EXPRESS WARRANTY ABOVE, HORIZON MAKES NO OTHER WARRANTY OR REPRESENTATION, AND HEREBY DISCLAIMS ANY AND ALL IMPLIED WARRANTIES, INCLUDING, WITHOUT LIMITATION, THE IMPLIED WARRANTIES OF NON-INFRINGEMENT, MERCHANTABILITY AND FITNESS FOR A PARTICULAR PURPOSE. THE PURCHASER ACKNOWLEDGES THAT THEY ALONE HAVE DETERMINED THAT THE PRODUCT WILL SUITABLY MEET THE REQUIREMENTS OF THE PURCHASER'S INTENDED USE.

Purchaser's Remedy—Horizon's sole obligation and purchaser's sole and exclusive remedy shall be that Horizon will, at its option, either (i) service, or (ii) replace, any Product determined by Horizon to be defective. Horizon reserves the right to inspect any and all Product(s) involved in a warranty claim. Service or replacement decisions are at the sole discretion of Horizon. Proof of purchase is required for all warranty claims. SERVICE OR REPLACEMENT AS PROVIDED UNDER THIS WARRANTY IS THE PURCHASER'S SOLE AND EXCLUSIVE REMEDY.

Limitation of Liability—HORIZON SHALL NOT BE LIABLE FOR SPECIAL, INDIRECT, INCIDENTAL OR CONSEQUENTIAL DAMAGES, LOSS OF PROFITS OR PRODUCTION OR COMMERCIAL LOSS IN ANY WAY, REGARDLESS OF WHETHER SUCH CLAIM IS BASED IN CONTRACT, WARRANTY, TORT, NEGLIGENCE, STRICT LIABILITY OR ANY OTHER THEORY OF LIABILITY, EVEN IF HORIZON HAS BEEN ADVISED OF THE POSSIBILITY OF SUCH DAMAGES. Further, in no event shall the liability of Horizon exceed the individual price of the Product on which liability is asserted. As Horizon has no control over use, setup, final assembly, modification or misuse, no liability shall be assumed nor accepted for any resulting damage or injury. By the act of use, setup or assembly, the user accepts all resulting liability. If you as the purchaser or user are not prepared to accept the liability associated with the use of the Product, purchaser is advised to return the Product immediately in new and unused condition to the place of purchase.

Law—These terms are governed by Illinois law (without regard to conflict of law principals). This warranty gives you specific legal rights, and you may also have other rights which vary from state to state. Horizon reserves the right to change or modify this warranty at any time without notice.

WARRANTY SERVICES

Questions, Assistance, and Services—Your local hobby store and/or place of purchase cannot provide warranty support or service. Once assem-

bly, setup or use of the Product has been started, you must contact your local distributor or Horizon directly. This will enable Horizon to better answer your questions and service you in the event that you may need any assistance. For questions or assistance, please visit our website at www.horizonhobby.com, submit a Product Support Inquiry, or call the toll free telephone number referenced in the Warranty and Service Contact Information section to speak with a Product Support representative.

Inspection or Services—If this Product needs to be inspected or serviced and is compliant in the country you live and use the Product in, please use the Horizon Online Service Request submission process found on our website or call Horizon to obtain a Return Merchandise Authorization (RMA) number. Pack the Product securely using a shipping carton. Please note that original boxes may be included, but are not designed to withstand the rigors of shipping without additional protection. Ship via a carrier that provides tracking and insurance for lost or damaged parcels, as Horizon is not responsible for merchandise until it arrives and is accepted at our facility. An Online Service Request is available at http://www.horizonhobby.com/content/service-center_render-service-center. If you do not have internet access, please contact Horizon Product Support to obtain a RMA number along with instructions for submitting your product for service. When calling Horizon, you will be asked to provide your complete name, street address, email address and phone number where you can be reached during business hours. When sending product into Horizon, please include your RMA number, a list of the included items, and a brief summary of the problem. A copy of your original sales receipt must be included for warranty consideration. Be sure your name, address, and RMA number are clearly written on the outside of the shipping carton.

NOTICE: Do not ship Li-Po batteries to Horizon. If you have any issue with a Li-Po battery, please contact the appropriate Horizon Product Support office.

Warranty Requirements—For Warranty consideration, you must include your original sales receipt verifying the proof-of-purchase date. Provided warranty conditions have been met, your Product will be serviced or replaced free of charge. Service or replacement decisions are at the sole discretion of Horizon.

Non-Warranty Service—Should your service not be covered by warranty, service will be completed and payment will be required without notification or estimate of the expense unless the expense exceeds 50% of the retail purchase cost. By submitting the item for service you are agreeing to payment of the service without notification. Service estimates are available upon request. You must include this request with your item submitted for service. Non-warranty service estimates will be billed a minimum of ½ hour of labor. In addition you will be billed for return freight. Horizon accepts money orders and cashier's checks, as well as Visa, MasterCard, American Express, and Discover cards. By submitting any item to Horizon for service, you are agreeing to Horizon's Terms and Conditions found on our website http://www.horizonhobby.com/content/service-center_render-service-center.

ATTENTION: Horizon service is limited to Product compliant in the country of use and ownership. If received, a non-compliant Product will not be serviced. Further, the sender will be responsible for arranging return shipment of the un-serviced Product, through a carrier of the sender's choice and at the sender's expense. Horizon will hold non-compliant Product for a period of 60 days from notification, after which it will be discarded.

10/15

WARRANTY AND SERVICE CONTACT INFORMATION

Country of Purchase	Horizon Hobby	Contact Information	Address
United States of America	Horizon Service Center (Repairs and Repair Requests)	servicecenter.horizonhobby.com/RequestForm/	2904 Research Rd Champaign, Illinois, 61822 USA
	Horizon Product Support (Product Technical Assistance)	productsupport@horizonhobby.com 877-504-0233	
	Sales	websales@horizonhobby.com 800-338-4639	
EU	Horizon Technischer Service	service@horizonhobby.eu	Hanskampring 9 D 22885 Barsbüttel, Germany
	Sales: Horizon Hobby GmbH	+49 (0) 4121 2655 100	

FCC AND IC INFORMATION

FCC Information

FCC ID: 2ARE7-91803 This device complies with part 15 of the FCC rules. Operation is subject to the following two conditions: (1) This device may not cause harmful interference, and (2) this device must accept any interference received, including interference that may cause undesired operation.



CAUTION: Changes or modifications not expressly approved by the party responsible for compliance could void the user's authority to operate the equipment.

This product contains a radio transmitter with wireless technology which has been tested and found to be compliant with the applicable regulations governing a radio transmitter in the 2.400GHz to 2.4835GHz frequency range.

Supplier's Declaration of Conformity

IC: 20264-91803RX46

CAN ICES-3 (B)/NMB-3(B)

FC This device complies with part 15 of the FCC Rules. Operation is subject to the following two conditions: (1) This device may not cause harmful interference, and (2) this device must accept any interference received, including interference that may cause undesired operation.



CAUTION: Changes or modifications not expressly approved by the party responsible for compliance could void the user's authority to operate the equipment.

NOTE: This equipment has been tested and found to comply with the limits for a Class B digital device, pursuant to part 15 of the FCC Rules. These limits are designed to provide reasonable protection against harmful interference in a residential installation. This equipment generates, uses and can radiate radio frequency energy and, if not installed and used in accordance with the instructions, may cause harmful interference to radio communications. However, there is no guarantee that interference will not occur in a particular installation. If this equipment does cause harmful interference to radio or television reception, which can be determined by turning the equipment off and on, the user is encouraged to try to correct the interference by one or more of the following measures:

- Reorient or relocate the receiving antenna.
- Increase the separation between the equipment and receiver.
- Connect the equipment into an outlet on a circuit different from that to which the receiver is connected.
- Consult the dealer or an experienced radio/TV technician for help.

Horizon Hobby, LLC
2904 Research Rd.
Champaign, IL 61822
Email: compliance@horizonhobby.com
Web: HorizonHobby.com

IC Information

IC: 20264-91803RX46 | CAN ICES-3 (B)/NMB-3(B)

This device complies with Industry Canada licence-exempt RSS standard(s).

Operation is subject to the following two conditions: (1) this device may not cause interference, (2) this device must accept any interference, including interference that may cause undesired operation of the device.

COMPLIANCE INFORMATION FOR THE EUROPEAN UNION



EU Compliance Statement: Horizon Hobby, LLC hereby declares that this product is in compliance with the essential requirements and other relevant provisions of the RED Directive.

A copy of the EU Declaration of Conformity is available online at: <http://www.horizonhobby.com/content/support-render-compliance>



Instructions for Disposal of WEEE by Users in the European Union

This product must not be disposed of with other waste. Instead, it is the user's responsibility to dispose of their waste equipment by handing it over to a designated collection point for the recycling of waste electrical and electronic equipment. The separate collection and recycling of your waste equipment at the time of disposal will help to conserve natural resources and ensure that it is recycled in a manner that protects human health and the environment. For more information about where you can drop off your waste equipment for recycling, please contact your local city office, your household waste disposal service or where you purchased the product.



HINWEIS

Alle Anweisungen, Garantien und dazugehörigen Dokumente können ohne Ankündigung von Horizon Hobby, LLC geändert werden. Eine aktuelle Version ersehen Sie bitte im Support Feld unter www.horizonhobby.com oder www.towerhobbies.com im Support-Abschnitt für das Produkt.

SPEZIELLE BEDEUTUNGEN

Die folgenden Begriffe werden in der gesamten Produktliteratur verwendet, um auf unterschiedlich hohe Gefahrenrisiken beim Betrieb dieses Produkts hinzuweisen:

WARNUNG: Wenn diese Verfahren nicht korrekt befolgt werden, ergeben sich wahrscheinlich Sachschäden, Kollateralschäden und schwere Verletzungen ODER mit hoher Wahrscheinlichkeit oberflächliche Verletzungen.

ACHTUNG: Wenn diese Verfahren nicht korrekt befolgt werden, ergeben sich wahrscheinlich Sachschäden UND die Gefahr von schweren Verletzungen.

HINWEIS: Wenn diese Verfahren nicht korrekt befolgt werden, können sich möglicherweise Sachschäden UND geringe oder keine Gefahr von Verletzungen ergeben.

⚠️ WARNUNG: Lesen Sie die GESAMTE Bedienungsanleitung, um sich vor dem Betrieb mit den Produktfunktionen vertraut zu machen. Wird das Produkt nicht korrekt betrieben, kann dies zu Schäden am Produkt oder persönlichem Eigentum führen oder schwere Verletzungen verursachen. Dies ist ein hochentwickeltes Hobby-Produkt. Es muss mit Vorsicht und gesundem Menschenverstand betrieben werden und benötigt gewisse mechanische Grundfähigkeiten. Wird dieses Produkt nicht auf eine sichere und verantwortungsvolle Weise betrieben, kann dies zu Verletzungen oder Schäden am Produkt oder anderen Sachwerten führen. Dieses Produkt eignet sich nicht für die Verwendung durch Kinder ohne direkte Überwachung eines Erwachsenen. Versuchen Sie nicht ohne Genehmigung durch Horizon Hobby, LLC, das Produkt zu zerlegen, es mit inkompatiblen Komponenten zu verwenden oder auf jegliche Weise zu erweitern. Diese Bedienungsanleitung enthält Anweisungen für Sicherheit, Betrieb und Wartung. Es ist unbedingt notwendig, vor Zusammenbau, Einrichtung oder Verwendung alle Anweisungen und Warnhinweise im Handbuch zu lesen und zu befolgen, damit es bestimmungsgemäß betrieben werden kann und Schäden oder schwere Verletzungen vermieden werden.

Nicht geeignet für Kinder unter 14 Jahren. Dies ist kein Spielzeug.

SICHERHEITSVORKEHRUNGEN

- Bitte stellen Sie stets sicher, dass der Akku vor Betrieb des Modells vollständig geladen ist.
- Halten Sie stets einen Sicherheitsabstand in allen Richtungen um das Modell um Kollisionen oder Verletzungen zu vermeiden. Das Modell wird von einem Funksignal gesteuert, dass von anderen Quellen gestört werden kann. Dieses kann zu einem Kontrollverlust führen.
- Betreiben Sie ihr Modell niemals bei ungünstigen Wetterbedingungen. Schlechte Sicht kann zu Desorientierung und zum Kontrollverlust führen.
- Zeigen Sie niemals direkt mit der Antenne auf das Modell, da die Abstrahlung an der Antennenspitze ist gering ist.
- Sollten Sie bei dem Betrieb niemals ungewöhnliche Reaktionen fest stellen, beenden sie unverzüglich den Betrieb des Modell bis das Problem gelöst und beseitigt ist.

SICHERHEITSHINWEISE SENDERBATTERIEN

- Setzen Sie niemals beschädigte Batterien ein.
- Setzen Sie niemals Batterien verschiedener Typen oder verschiedenen Alters ein.
- Entfernen Sie immer verbrauchte Batterien.
- Entnehmen Sie immer die Batterien bevor Sie den Sender einlagern.
- Leere Batterien können zu Kontrollverlust des Fahrzeuges führen.

SPEZIFIKATIONEN

- **Gewicht:** 242g (377g mit 4xAAA Batterien)
- **Frequenz:** 2,4GHz
- **Spannung / Kapazität:** 6 V DC
- **Leistungsabgabe:** 120 Meter
- **Kompatible Empfänger:** HRZ00005, HRZ00006, HRZ00002

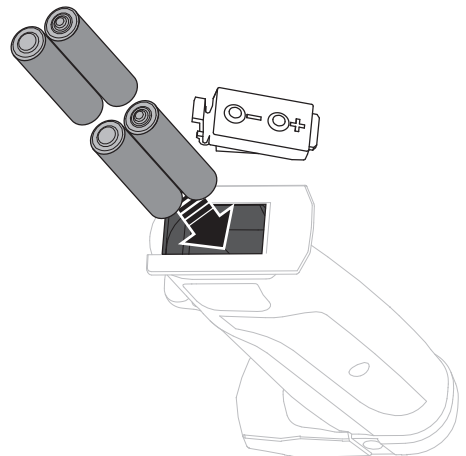
EINSETZEN DER SENDERBATTERIEN

Für den Betrieb sind 4 AAA Batterien erforderlich.

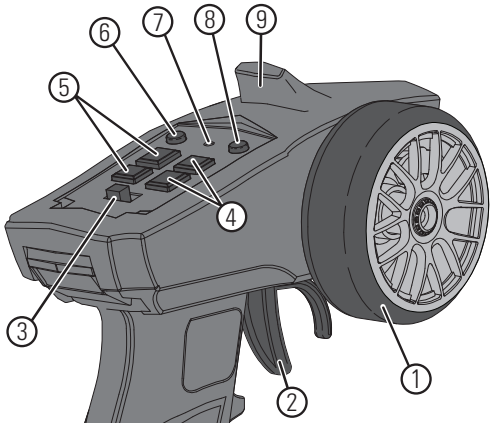
1. Nehmen Sie die Batterieklappe vom Sender ab.
2. Setzen Sie die Batterien wie abgebildet ein.
3. Setzen Sie die Batterieklappe wieder auf.

⚠️ ACHTUNG: Wenn Sie wiederaufladbare Akkus verwenden, laden Sie nur diese. Das Laden von nicht wiederaufladbaren Batterien kann die Batterien zur Explosion bringen, was Körperverletzung und Sachbeschädigung zur Folge haben kann.

⚠️ ACHTUNG: Es besteht Explosionsrisiko wenn die Akkus durch einen falschen Typ ersetzt werden. Entsorgen Sie verbrauchte Batterien den Vorschriften entsprechend.



SENDERKONTROLLEN



1. **Lenkrad** Mit dem Lenkrad kontrollieren Sie die Lenkung nach Links und Rechts
2. **Gashebel** Kontrolliert die Geschwindigkeit und Richtung (vorwärts/Bremse/rückwärts)
3. **ON/OFF Schalter** Schalten den Sender ein (ON) oder aus (OFF)
4. **TH DR/TH Trim** Passt die Endpunkte der Gastrimmung an
5. **ST DR/ST Trim** Passt die Endpunkte der Lenkungstrimmung an
6. **CH3**
7. **Indikator LED**
 - **Blau LED leuchtet**—Zeigt die Funkverbindung und ausreichende Batteriekapazität an
 - **Blau LED blinkt**—Zeigt an dass die Batteriespannung kritisch zu niedrig ist. Bitte Batterien ersetzen
8. **REV** Kehrt die Funktionen von Lenkrad und Gas
9. **Antenne** Überträgt das Signal zum Modell

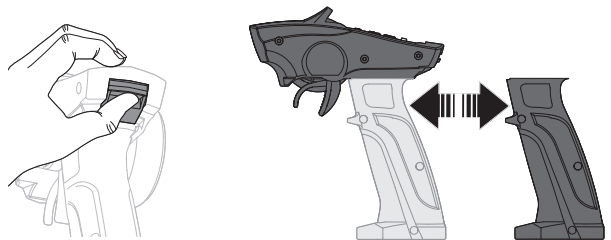
ZUSAMMENBAUEN UND ZERLEGEN DES SENDERGRIFFS

Zusammenbauen

1. Die hintere Taste am oberen Teil des Senders drücken.
2. Den Sendergriff in die Spur schieben.

Zerlegen

1. Die hintere Taste am oberen Teil des Senders drücken.
2. Den Sendergriff aus der Spur schieben.

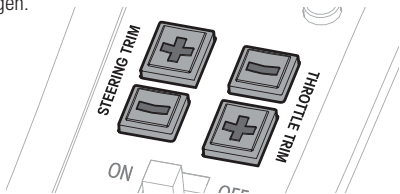


DUALRATEN ANPASSEN

Der Sender ermöglicht es, die Lenkung und die Dualraten Gas anzupassen.

Dualraten lenken

1. Sender einschalten.
2. Modells einschalten.
3. Entweder die linke oder die rechte Lenkeingabe auf dem Sender anwenden und die Position halten.
4. Zum Hinzufügen oder Entfernen der Lenkausschlageingabe die Lenkeingabetaste gedrückt halten und die ST-DR-Taste (+) oder (-) betätigen.



Dualrate Gas

1. Sender einschalten
2. Modells einschalten.
3. Entweder die Gaszufuhr vorwärts oder rückwärts auf dem Sender anwenden und die Position halten.
4. Zum Hinzufügen oder Entfernen der Gaszufuhr die Lenkeingabetaste gedrückt halten und die ST-DR-Taste (+) oder (-) betätigen.

HINWEIS: Die Anpassung der Gaszufuhr wirkt sich negativ auf die Selbstaufrichtungsfunktion aus, da sie auf der Motordrehzahl beruht.

HINWEIS: Die Dualrate Gas nicht anpassen, wenn des Modells eingeschaltet ist und auf einem Ständer ruht. Durch die Anpassung der Dualrate Gas wird der Motor möglicherweise mit Strom versorgt. Sach- bzw. Personenschäden sind die mögliche Folge.

BINDEN

Der Bindevorgang ist der Prozess bei dem der Empfänger den GUID Code (Globally Unique Identifier) eines spezifischen Senders lernt.

1. Überprüfen Sie, ob der Empfänger und der Sender ausgeschaltet sind.
2. Einen voll aufgeladenen Akku mit dem Empfänger verbinden.
3. Den Sender EINSCHALTEN.
4. Drücken Sie die Bindetaste des Empfängers mit einen kleinen Karosserieklammer und schalten Sie den Empfänger ein. Die LED blinkt, wenn die Binden ausgeführt wird.

HINWEIS: Versuchen Sie nicht den Sender mit dem Empfänger zu binden wenn andere kompatible Sender sich im im Umkreis von 120 Meter ebenfalls im Bindemode befinden. Dieses könnte unbeabsichtigte Bindungen zur Folge haben.

FAILSAFE

1. Erst den Sender und dann den Empfänger EINSCHALTEN.
2. Drücken Sie die Bindetaste des Empfängers mit einen kleinen Karosserieklammer und schalten Sie den Empfänger ein. Die LED blinkt und leuchtet dann dauerhaft, wenn Failsafe eingestellt ist.
3. Den Bindungsstecker trennen.

HILFESTELLUNG ZUR PROBLEMLÖSUNG

Problem	Mögliche Ursache	Lösung
System will sich nicht verbinden	Sender und Empfänger sind zu nah zusammen	Bewegen Sie den Sender etwas weg vom Empfänger
	Sender oder Empfänger sind zu nah an großen metallischen Objekten, einer Funkquelle oder anderen Sendern	Wechseln Sie den Ort und versuchen die Bindung erneut
	Der Sender wurde versehentlich in den Bindemodus gebracht und ist nicht länger an den Empfänger gebunden	Binden Sie den Sender und Empfänger neu
Schlechte Reichweite	Senderbatterien sind leer	Ersetzen/laden
	Senderantenne ist beschädigt oder lose	Prüfen/festziehen
	Empfängerantenne beschädigt	Prüfen/reparieren/ersetzen
Der Empfänger stellt den Betrieb ein	Senderbatterien leer	Ersetzen/laden
	Lose oder beschädigt Kabel oder Verbinder zwischen Akku und Empfänger	Überprüfen Sie die Stecker und Verbinder zwischen Akku und Empfänger. Ersetzen oder reparieren Sie beschädigte Kabel oder Verbinder

GARANTIE UND SERVICE INFORMATIONEN

Warnung—Ein ferngesteuertes Modell ist kein Spielzeug. Es kann, wenn es falsch eingesetzt wird, zu erheblichen Verletzungen bei Lebewesen und Beschädigungen an Sachgütern führen. Betreiben Sie Ihr RC-Modell nur auf freien Plätzen und beachten Sie alle Hinweise der Bedienungsanleitung des Modells wie auch der Fernsteuerung.

Garantiezeitraum—Exklusive Garantie Horizon Hobby LLC (Horizon) garantiert, dass das gekaufte Produkt frei von Material- und Montagefehlern ist. Der Garantiezeitraum entspricht den gesetzlichen Bestimmungen des Landes, in dem das Produkt erworben wurde. In Deutschland beträgt der Garantiezeitraum 6 Monate und der Gewährleistungszeitraum 18 Monate nach dem Garantiezeitraum.

Einschränkungen der Garantie—(a) Die Garantie wird nur dem Erstkäufer (Käufer) gewährt und kann nicht übertragen werden. Der Anspruch des Käufers besteht in der Reparatur oder dem Tausch im Rahmen dieser Garantie. Die Garantie erstreckt sich ausschließlich auf Produkte, die bei einem autorisierten Horizon Händler erworben wurden. Verkäufe an Dritte werden von dieser Garantie nicht gedeckt. Garantieansprüche werden nur angenommen, wenn ein gültiger Kaufnachweis erbracht wird. Horizon behält sich das Recht vor, diese Garantiebestimmungen ohne Ankündigung zu ändern oder modifizieren und widerruft dann bestehende Garantiebestimmungen.

(b) Horizon übernimmt keine Garantie für die Verkaufbarkeit des Produktes, die Fähigkeiten und die Fitness des Verbrauchers für einen bestimmten Einsatzzweck des Produktes. Der Käufer allein ist dafür verantwortlich, zu prüfen, ob das Produkt seinen Fähigkeiten und dem vorgesehenen Einsatzzweck entspricht.

(c) Ansprüche des Käufers → Es liegt ausschließlich im Ermessen von Horizon, ob das Produkt, bei dem ein Garantiefall festgestellt wurde, repariert oder ausgetauscht wird. Dies sind die exklusiven Ansprüche des Käufers, wenn ein Defekt festgestellt wird.

Horizon behält sich vor, alle eingesetzten Komponenten zu prüfen, die in den Garantiefall einbezogen werden können. Die Entscheidung zur Reparatur oder zum Austausch liegt nur bei Horizon. Die Garantie schließt kosmetische Defekte oder Defekte, hervorgerufen durch höhere Gewalt, falsche Behandlung des Produktes, falscher Einsatz des Produktes, kommerziellen Einsatz oder Modifikationen irgendwelcher Art aus.

Die Garantie schließt Schäden, die durch falschen Einbau, falsche Handhabung, Unfälle, Betrieb, Service oder Reparaturversuche, die nicht von Horizon ausgeführt wurden aus.

Ausgeschlossen sind auch Fälle die bedingt durch (vii) eine Nutzung sind, die gegen geltendes Recht, Gesetze oder Regularien verstoßen haben. Rücksendungen durch den Käufer direkt an Horizon oder eine seiner Landesvertretung bedürfen der Schriftform.

Schadensbeschränkung—Horizon ist nicht für direkte oder indirekte Folgeschäden, Einkommensausfälle oder kommerzielle Verluste, die in irgendeinem Zusammenhang mit dem Produkt stehen verantwortlich, unabhängig ab ein Anspruch im Zusammenhang mit einem Vertrag, der Garantie oder der Gewährleistung erhoben werden. Horizon wird darüber hinaus keine Ansprüche aus einem Garantiefall akzeptieren, die über den individuellen Wert des Produktes hinaus gehen. Horizon hat keinen Einfluss auf den Einbau, die Verwendung oder die Wartung des Produktes oder etwaiger Produktkombinationen, die vom Käufer gewählt werden. Horizon übernimmt keine Garantie und akzeptiert keine Ansprüche für in der Folge auftretende Verletzungen oder Beschädigungen. Mit der Verwendung und dem Einbau des Produktes akzeptiert der Käufer alle aufgeführten Garantiebestimmungen ohne Einschränkungen und Vorbehalte.

Wenn Sie als Käufer nicht bereit sind, diese Bestimmungen im Zusammenhang mit der Benutzung des Produktes zu akzeptieren, werden Sie gebeten, das Produkt in unbenutztem Zustand in der Originalverpackung vollständig bei dem Verkäufer zurückzugeben.

Sicherheitshinweise—Dieses ist ein hochwertiges Hobby Produkt und kein Spielzeug. Es muss mit Vorsicht und Umsicht eingesetzt werden und erfordert einige mechanische wie auch mentale Fähigkeiten. Ein Versagen, das Produkt sicher und umsichtig zu betreiben kann zu Verletzungen von Lebewesen und Sachbeschädigungen erheblichen Ausmaßes führen. Dieses Produkt ist nicht für den Gebrauch durch Kinder ohne die Aufsicht eines Erziehungsberechtigten vorgesehen. Die Anleitung enthält Sicherheitshinweise und Vorschriften sowie Hinweise für die Wartung und den Betrieb des Produktes. Es ist unabdingbar, diese Hinweise vor der ersten Inbetriebnahme zu lesen und zu verstehen. Nur so kann der falsche Umgang verhindert und Unfälle mit Verletzungen und Beschädigungen vermieden werden.

Fragen, Hilfe und Reparaturen—Ihr lokaler Fachhändler und die Verkaufsstelle können eine Garantiebeurteilung ohne Rücksprache mit Horizon nicht durchführen. Dies gilt auch für Garantiereparaturen. Deshalb kontaktieren Sie in einem solchen Fall den Händler, der sich mit Horizon kurz schließen wird, um eine sachgerechte Entscheidung zu fällen, die Ihnen schnellstmöglich hilft.

Wartung und Reparatur—Muss Ihr Produkt gewartet oder repariert werden, wenden Sie sich entweder an Ihren Fachhändler oder direkt an Horizon.

Rücksendungen / Reparaturen werden nur mit einer von Horizon vergebenen RMA Nummer bearbeitet. Diese Nummer erhalten Sie oder Ihr Fachhändler vom technischen Service. Mehr Informationen dazu erhalten Sie im Serviceportal unter www.Horizonhobby.de oder telefonisch bei dem technischen Service von Horizon.

Packen Sie das Produkt sorgfältig ein. Beachten Sie, dass der Originalkarton in der Regel nicht ausreicht, um beim Versand nicht beschädigt zu werden. Verwenden Sie einen Paketdienstleister mit einer Tracking Funktion und Versicherung, da Horizon bis zur Annahme keine Verantwortung für den Versand des Produktes übernimmt. Bitte legen Sie dem Produkt einen Kaufbeleg bei, sowie eine ausführliche Fehlerbeschreibung und eine Liste aller eingesendeten Einzelkomponenten. Weiterhin benötigen wir die vollständige Adresse, eine Telefonnummer für Rückfragen, sowie eine Email Adresse.

Garantie und Reparaturen—Garantieanfragen werden nur bearbeitet, wenn ein Originalkaufbeleg von einem autorisierten Fachhändler beiliegt, aus dem der Käufer und das Kaufdatum hervorgeht. Sollte sich ein Garantiefall bestätigen wird das Produkt repariert oder ersetzt. Diese Entscheidung obliegt einzig Horizon Hobby.

Kostenpflichtige Reparaturen—Liegt eine kostenpflichtige Reparatur vor, erstellen wir einen Kostenvoranschlag, den wir Ihrem Händler übermitteln. Die Reparatur wird erst vorgenommen, wenn wir die Freigabe des Händlers erhalten. Der Preis für die Reparatur ist bei Ihrem Händler zu entrichten. Bei kostenpflichtigen Reparaturen werden mindestens 30 Minuten Werkstattzeit und die Rückversandkosten in Rechnung gestellt. Sollten wir nach 90 Tagen keine Einverständniserklärung zur Reparatur vorliegen haben, behalten wir uns vor, das Produkt zu vernichten oder anderweitig zu verwerten.

ACHTUNG: Kostenpflichtige Reparaturen nehmen wir nur für Elektronik und Motoren vor. Mechanische Reparaturen, besonders bei Hubschraubern und RC-Cars sind extrem aufwendig und müssen deshalb vom Käufer selbst –vorgenommen werden.

10/15

GARANTIE UND SERVICE KONTAKTINFORMATIONEN

Land des Kauf	Horizon Hobby	E-mail Adresse/Telefon	Adresse
EU	Horizon Technischer Service	service@horizonhobby.eu	Hanskampring 9 D 22885 Barsbüttel, Germany
	Sales: Horizon Hobby GmbH	+49 (0) 4121 2655 100	

RECHTLICHE INFORMATIONEN FÜR DIE EUROPÄISCHE UNION



EU Konformitätserklärung: Horizon LLC erklärt hiermit, dass dieses Produkt konform zu den essentiellen Anforderungen der RED Direktive.

Eine Kopie der Konformitätserklärung ist online unter folgender Adresse verfügbar:

<http://www.horizonhobby.com/content/support-render-compliance>



Entsorgung in der Europäischen Union

Dieses Produkt darf nicht über den Hausmüll entsorgt werden. Es ist die Verantwortung des Benutzers, das Produkt an einer registrierten Sammelstelle für Elektroschrott abzugeben diese Verfahren stellt sicher, dass die Umwelt geschont wird und natürliche Ressourcen nicht über die Gebühr beansprucht werden. Dadurch wird das Wohlergehen der menschlichen Gemeinschaft geschützt. Für weitere Informationen, wo der Elektromüll entsorgt werden kann, können Sie Ihr Stadtbüro oder Ihren lokalen Entsorger

REMARQUE

Toutes les instructions, garanties et autres documents de garantie sont sujets à la seule discrétion de Horizon Hobby, LLC. Veuillez, pour une documentation produit bien à jour, visiter le site internet www.horizonhobby.com ou www.towerhobbies.com et cliquer sur l'onglet de support de ce produit.

SIGNIFICATION DE CERTAINS TERMES SPÉCIFIQUES

Les termes suivants sont utilisés dans l'ensemble du manuel pour indiquer différents niveaux de danger lors de l'utilisation de ce produit:

AVERTISSEMENT: Procédures qui, si elles ne sont pas suivies correctement, peuvent entraîner des dégâts matériels et des blessures graves OU engendrer une probabilité élevée de blessure superficielle.

ATTENTION: Procédures qui, si elles ne sont pas suivies correctement, peuvent entraîner des dégâts matériels ET des blessures graves.

REMARQUE: Procédures qui, si elles ne sont pas suivies correctement, peuvent entraîner des dégâts matériels ET éventuellement un faible risque de blessures.



AVERTISSEMENT: Lisez la TOTALITÉ du manuel d'utilisation afin de vous familiariser avec les caractéristiques du produit avant de le faire fonctionner. Une utilisation incorrecte du produit peut entraîner sa détérioration, ainsi que des risques de dégâts matériels, voire de blessures graves.

Ceci est un produit de loisirs sophistiqué. Il doit être manipulé avec prudence et bon sens et requiert des aptitudes de base en mécanique. Toute utilisation irresponsable de ce produit ne respectant pas les principes de sécurité peut provoquer des blessures, entraîner des dégâts matériels et endommager le produit. Ce produit n'est pas destiné à être utilisé par des enfants sans la surveillance directe d'un adulte. N'essayez pas de démonter le produit, de l'utiliser avec des composants incompatibles ou d'en améliorer les performances sans l'accord d'Horizon Hobby, LLC. Ce manuel comporte des instructions relatives à la sécurité, au fonctionnement et à l'entretien. Il est capital de lire et de respecter la totalité des instructions et avertissements du manuel avant l'assemblage, le réglage et l'utilisation, ceci afin de manipuler correctement l'appareil et d'éviter tout dégât matériel ou toute blessure grave.

14 ans et plus. Ceci n'est pas un jouet.

PRÉCAUTIONS RELATIVES À LA SÉCURITÉ

- Toujours contrôler que toutes les batteries sont correctement chargées avant d'utiliser la modèle.
- Toujours conserver une distance de sécurité tout autour du modèle afin d'éviter les collisions ou risques de blessures. Ce modèle est contrôlé par un signal radio, qui peut être soumis à des interférences provenant de nombreuses sources que vous ne maîtrisez pas. Les interférences sont susceptibles d'entraîner une perte de contrôle momentanée.
- Ne jamais utiliser votre modèle dans des conditions météorologiques difficiles. Une mauvaise visibilité peut entraîner une perte de l'orientation et une perte de contrôle de votre véhicule.
- Ne jamais pointer l'extrémité de l'antenne directement vers le modèle. Les ondes émises par l'extrémité de l'antenne sont très faibles.
- Si, en cours d'utilisation de votre modèle, vous constatez, à quelque moment que ce soit, un comportement erratique ou anormal, cessez immédiatement de l'utiliser jusqu'à trouver la cause du problème et y remédier.

CONSIGNES RELATIVES AUX PILES DE L'ÉMETTEUR

- Ne jamais installer des piles endommagées.
- Ne mélangez jamais des piles de marque, de type et d'ancienneté différentes.
- Toujours retirer les piles usées.
- Toujours retirer les piles avant de ranger l'émetteur.
- Des piles à la puissance faible peuvent entraîner une perte de contrôle du véhicule.

CARACTÉRISTIQUES

- **Masse :** 242g (377g avec des piles 4xAAA)
- **Fréquence :** 2,4GHz
- **Tension / Capacité :** 6V DC
- **Puissance de sortie :** 120 mètres
- **Récepteurs compatibles :** HRZ00005, HRZ00006, HRZ00002

INSTALLATION DES PILES DE L'ÉMETTEUR

Cet émetteur nécessite 4 piles AAA.

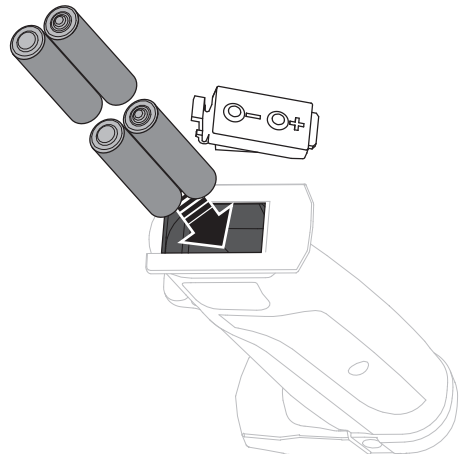
1. Retirez le couvercle du compartiment à piles.
2. Insérez les piles comme sur l'illustration.
3. Remplacez le couvercle.



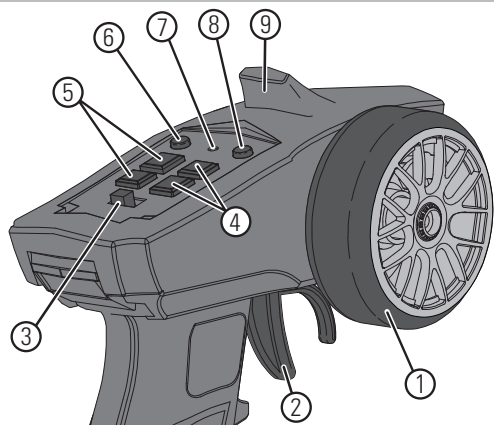
ATTENTION: Ne rechargez que des batteries rechargeables. Si vous tentez de charger des piles non rechargeables, il y a un risque d'incendie entraînant des blessures et des dégâts matériels.



ATTENTION : Risque d'explosion si la batterie est remplacée par un type de batterie non conforme. Éliminez les piles usagées selon les réglementations nationales.



COMMANDES DE L'ÉMETTEUR



- Volant de direction** Commande la direction (gauche/droite) du modèle
- Gâchette des gaz** Contrôle la puissance et la direction du moteur (marche avant/frein/arrière)
- Interrupteur ON/OFF** Commande l'alimentation de l'émetteur
- TH DR/TH Trim** Règle les points finaux du trim des gaz
- ST DR/ST Trim** Règle les points finaux du trim de direction
- CH3**
- Indications des DELs**
 - DEL bleue fixe**—Indique la connexion de la radio et la tension adéquate des piles
 - DEL bleue clignotante**—Indique une tension trop faible. Remplacez les piles
- REV** Inverse les fonctions de volant et de gaz
- Antenne** Permet de régler la fin de course de la direction

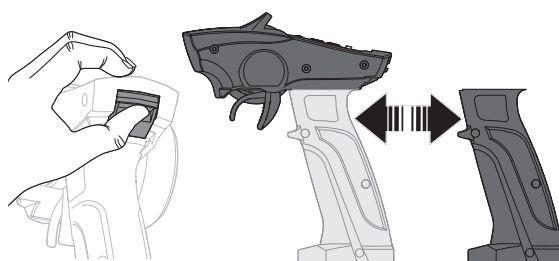
MONTAGE ET DÉMONTAGE DE LA POIGNÉE DE L'ÉMETTEUR

Montage

- Sur la partie supérieure de l'émetteur, appuyez sur le bouton arrière.
- Faites glisser la poignée de l'émetteur dans la piste.

Démontage

- Sur la partie supérieure de l'émetteur, appuyez sur le bouton arrière.
- Faites glisser la poignée de l'émetteur hors de la piste.

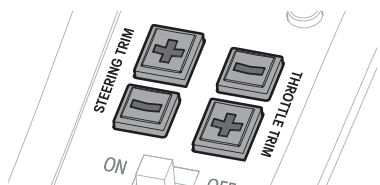


AJUSTEMENT DU DOUBLE DÉBATTEMENT

L'émetteur vous permet d'ajuster les doubles débattements de direction et des gaz.

Double débattement de direction

- Mettez l'émetteur en marche.
- Mettez la modèle en marche.
- Appliquez la saisie droite ou gauche de direction sur l'émetteur et maintenez cette position.
- Pour ajouter ou retirer la saisie d'inclinaison de direction, maintenez le bouton de saisie de direction et appuyez sur le bouton ST DR (+) ou (-).



Double débattement des gaz

- ALLUMEZ l'émetteur.
- Mettez la modèle EN MARCHÉ.
- Appliquez la saisie avant ou arrière des gaz sur l'émetteur et maintenez cette position.
- Pour ajouter ou retirer la saisie des gaz, maintenez le bouton de saisie de direction et appuyez sur le bouton ST DR (+) ou (-).

REMARQUE : Ajuster la saisie de direction aura un impact négatif sur la fonction de redressement automatique, car elle dépend de la vitesse du moteur.

REMARQUE : Ne pas ajuster le double débattement des gaz lorsque la modèle est allumé et immobilisé sur un support. Ajuster le double débattement des gaz peut mettre le moteur en marche, ce qui peut endommager le bien ou provoquer des blessures corporelles.

AFFECTATION

L'affectation apprend au récepteur le code GUID spécifique à l'émetteur.

- Vérifiez que le récepteur et l'émetteur sont éteints.
- Connectez une batterie complètement chargée au récepteur.
- Allumez l'émetteur.
- Appuyez sur le bouton d'affectation du récepteur à l'aide d'une petite épingle et mettez le récepteur sous tension. La DEL clignotera lorsque l'affectation est en cours.

REMARQUE : Ne tentez pas d'effectuer l'affectation quand un autre émetteur compatible est également en mode affectation à une distance inférieure à 120m. Vous risqueriez d'affecter votre récepteur à l'autre émetteur.

FAILSAFE

- Allumez l'émetteur, puis le récepteur.
- Appuyez sur le bouton d'affectation du récepteur à l'aide d'une petite épingle et mettez le récepteur sous tension. La DEL clignotera, puis deviendra solide lorsque Failsafe est défini.
- Débranchez la prise d'affectation.

GUIDE DE DÉPANNAGE

Problème	Cause possible	Solution
La liaison ne s'effectue pas	L'émetteur et le récepteur sont trop proches	Eloignez l'émetteur d'environ 1m du récepteur
	L'émetteur ou le récepteur est trop proche, d'un grand objet métallique, d'un réseau sans fil ou d'un autre émetteur	Changez de lieu et recommencez le processus d'affectation
	Vous émetteur a été involontairement placé en mode affectation et n'est plus affecté à votre récepteur	Réaffectez votre émetteur et le récepteur
Portée réduite	Piles de l'émetteur trop faibles	Réparez/Remplacez
	L'antenne de l'émetteur est endommagée ou mal connectée	Contrôlez/Re-connectez
	Antenne du récepteur endommagée	Contrôlez/Réparez/Remplacez
Le récepteur cesse de répondre durant l'utilisation	Piles de l'émetteur trop faibles	Réparez/Remplacez
	Connecteurs endommagés ou mal connectés entre la batterie et le récepteur	Contrôlez l'état des câbles et des connecteurs entre la batterie et le récepteur. Réparez ou remplacez les câble et/ou les connecteurs

GARANTIE ET RÉPARATIONS

Durée de la garantie—Garantie exclusive – Horizon Hobby, LLC (Horizon) garantit que le Produit acheté (le « Produit ») sera exempt de défauts matériels et de fabrication à sa date d'achat par l'Acheteur. La durée de garantie correspond aux dispositions légales du pays dans lequel le produit a été acquis. La durée de garantie est de 6 mois et la durée d'obligation de garantie de 18 mois à l'expiration de la période de garantie.

Limitations de la garantie—(a) La garantie est donnée à l'acheteur initial (« Acheteur ») et n'est pas transférable. Le recours de l'acheteur consiste en la réparation ou en l'échange dans le cadre de cette garantie. La garantie s'applique uniquement aux produits achetés chez un revendeur Horizon agréé. Les ventes faites à des tiers ne sont pas couvertes par cette garantie. Les revendications en garantie seront acceptées sur fourniture d'une preuve d'achat valide uniquement. Horizon se réserve le droit de modifier les dispositions de la présente garantie sans avis préalable et révoque alors les dispositions de garantie existantes.

(b) Horizon n'endosse aucune garantie quant à la vendabilité du produit ou aux capacités et à la forme physique de l'utilisateur pour une utilisation donnée du produit. Il est de la seule responsabilité de l'acheteur de vérifier si le produit correspond à ses capacités et à l'utilisation prévue.

(c) Recours de l'acheteur – Il est de la seule discrétion d'Horizon de déterminer si un produit présentant un cas de garantie sera réparé ou échangé. Ce sont là les recours exclusifs de l'acheteur lorsqu'un défaut est constaté.

Horizon se réserve la possibilité de vérifier tous les éléments utilisés et susceptibles d'être intégrés dans le cas de garantie. La décision de réparer ou de remplacer le produit est du seul ressort d'Horizon. La garantie exclut les défauts esthétiques ou les défauts provoqués par des cas de force majeure, une manipulation incorrecte du produit, une utilisation incorrecte ou commerciale de ce dernier ou encore des modifications de quelque nature qu'elles soient.

La garantie ne couvre pas les dégâts résultant d'un montage ou d'une manipulation erronés, d'accidents ou encore du fonctionnement ainsi que des tentatives d'entretien ou de réparation non effectuées par Horizon. Les retours effectués par le fait de l'acheteur directement à Horizon ou à l'une de ses représentations nationales requièrent une confirmation écrite.

Limitation des dommages—Horizon ne saurait être tenu pour responsable de dommages consécutifs directs ou indirects, de pertes de revenus ou de pertes commerciales, liés de quelque manière que ce soit au produit et ce, indépendamment du fait qu'un recours puisse être formulé en relation avec un contrat, la garantie ou l'obligation de garantie. Par ailleurs, Horizon n'acceptera pas de recours issus d'un cas de garantie lorsque ces recours dépassent la valeur unitaire du produit. Horizon n'exerce aucune influence sur le montage, l'utilisation ou la maintenance du produit ou sur d'éventuelles combinaisons de produits choisies par l'acheteur. Horizon

ne prend en compte aucune garantie et n'accepte aucun recours pour les blessures ou les dommages pouvant en résulter. Horizon Hobby ne saurait être tenu responsable d'une utilisation ne respectant pas les lois, les règles ou réglementations en vigueur. En utilisant et en montant le produit, l'acheteur accepte sans restriction ni réserve toutes les dispositions relatives à la garantie figurant dans le présent document. Si vous n'êtes pas prêt, en tant qu'acheteur, à accepter ces dispositions en relation avec l'utilisation du produit, nous vous demandons de restituer au vendeur le produit complet, non utilisé et dans son emballage d'origine.

Indications relatives à la sécurité

Ceci est un produit de loisirs perfectionné et non un jouet. Il doit être utilisé avec précaution et bon sens et nécessite quelques aptitudes mécaniques ainsi que mentales. L'incapacité à utiliser le produit de manière sûre et raisonnable peut provoquer des blessures et des dégâts matériels conséquents. Ce produit n'est pas destiné à être utilisé par des enfants sans la surveillance par un tuteur. La notice d'utilisation contient des indications relatives à la sécurité ainsi que des indications concernant la maintenance et le fonctionnement du produit. Il est absolument indispensable de lire et de comprendre ces indications avant la première mise en service. C'est uniquement ainsi qu'il sera possible d'éviter une manipulation erronée et des accidents entraînant des blessures et des dégâts. Horizon Hobby ne saurait être tenu responsable d'une utilisation ne respectant pas les lois, les règles ou réglementations en vigueur.

Questions, assistance et réparations—Votre revendeur spécialisé local et le point de vente ne peuvent effectuer une estimation d'éligibilité à l'application de la garantie sans avoir consulté Horizon. Cela vaut également pour les réparations sous garantie. Vous voudrez bien, dans un tel cas, contacter le revendeur qui conviendra avec Horizon d'une décision appropriée, destinée à vous aider le plus rapidement possible.

Maintenance et réparation—Si votre produit doit faire l'objet d'une maintenance ou d'une réparation, adressez-vous soit à votre revendeur spécialisé, soit directement à Horizon. Emballez le produit soigneusement. Veuillez noter que le carton d'emballage d'origine ne suffit pas, en règle générale, à protéger le produit des dégâts pouvant survenir pendant le transport. Faites appel à un service de messagerie proposant une fonction de suivi et une assurance, puisque Horizon ne prend aucune responsabilité pour l'expédition du produit jusqu'à sa réception acceptée. Veuillez joindre une preuve d'achat, une description détaillée des défauts ainsi qu'une liste de tous les éléments distincts envoyés. Nous avons de plus besoin d'une adresse complète, d'un numéro de téléphone (pour demander des renseignements) et d'une adresse de courriel.

Garantie et réparations—Les demandes en garantie seront uniquement traitées en présence d'une preuve d'achat originale émanant d'un revendeur spécialisé agréé, sur laquelle figurent le nom de l'acheteur ainsi que la date d'achat. Si le cas de garantie est confirmé, le produit sera réparé. Cette décision relève uniquement de Horizon Hobby.

Réparations payantes—En cas de réparation payante, nous établissons un devis que nous transmettons à votre revendeur. La réparation sera seulement effectuée après que nous ayons reçu la confirmation du revendeur. Le prix de la réparation devra être acquitté au revendeur. Pour les réparations payantes, nous facturons au minimum 30 minutes de travail en atelier ainsi que les frais de réexpédition. En l'absence d'un accord pour la réparation dans un délai de 90 jours, nous nous réservons la possibilité de détruire le produit ou de l'utiliser autrement.

ATTENTION : Nous n'effectuons de réparations payantes que pour les composants électroniques et les moteurs. Les réparations touchant à la mécanique, en particulier celles des hélicoptères et des voitures radiocommandées, sont extrêmement coûteuses et doivent par conséquent être effectuées par l'acheteur lui-même.

10/15

COORDONNÉES DE GARANTIE ET RÉPARATIONS

Pays d'achat	Horizon Hobby	Courriel/ Numéro de téléphone	Adresse
EU	Horizon Technischer Service	service@horizonhobby.eu	Hanskampring 9 D 22885 Barsbüttel, Germany
	Sales: Horizon Hobby GmbH	+49 (0) 4121 2655 100	

INFORMATION IC

IC: 20264-91803RX46 | CAN ICES-3 (B)/NMB-3(B) Le présent appareil est conforme aux CNR d'Industrie Canada applicables aux appareils radio exempts de licence. L'exploitation est autorisée aux deux conditions sui-

vantes : (1) l'appareil ne doit pas produire de brouillage, et (2) l'utilisateur de l'appareil doit accepter tout brouillage radioélectrique subi, même si le brouillage est susceptible d'en compromettre le fonctionnement.

INFORMATIONS DE CONFORMITÉ POUR L'UNION EUROPÉENNE

CE **Déclaration de conformité de l'Union européenne**
: Horizon Hobby, LLC déclare par la présente que ce produit est en conformité avec les exigences essentielles et les autres dispositions de la directive RED.

Une copie de la déclaration de conformité européenne est disponible à :
<http://www.horizonhobby.com/content/support-render-compliance>



Élimination dans l'Union européenne

Ce produit ne doit pas être éliminé avec les ordures ménagères. Il est de la responsabilité de l'utilisateur de remettre le produit à un point de collecte officiel des déchets d'équipements électriques. Cette procédure permet de garantir le respect de l'environnement et l'absence de sollicitation excessive des ressources naturelles. Elle protège de plus le bien-être de la communauté humaine. Pour plus d'informations quant aux lieux d'éliminations des déchets d'équipements électriques, vous pouvez contacter votre mairie ou le service local de traitement des ordures ménagères.

AVVISO

Tutte le istruzioni, le garanzie e gli altri documenti pertinenti sono soggetti a cambiamenti a totale discrezione di Horizon Hobby, LLC. Per una documentazione aggiornata sul prodotto, visitare il sito horizonhobby.com o towerhobbies.com e fare clic sulla sezione Support del prodotto.

TERMINOLOGIA

Nella documentazione relativa al prodotto vengono utilizzati i seguenti termini per indicare i vari livelli di pericolo potenziale durante l'uso del prodotto:

AVVERTENZA: indica procedure che, se non debitamente seguite, determinano il rischio di danni alle cose, danni collaterali e gravi lesioni alle persone O il rischio elevato di lesioni superficiali alle persone.

ATTENZIONE: indica procedure che, se non debitamente seguite, determinano il rischio di danni alle cose E di gravi lesioni alle persone.

AVVISO: indica procedure che, se non debitamente seguite, possono determinare il rischio di danni alle cose E il rischio minimo o nullo di lesioni alle persone.



AVVERTENZA: leggere TUTTO il manuale di istruzioni e familiarizzare con le caratteristiche del prodotto prima di farlo funzionare. Un uso improprio del prodotto può causare danni al prodotto stesso e alle altre cose e gravi lesioni alle persone.

Questo è un prodotto sofisticato per appassionati. Deve essere azionato in maniera attenta e responsabile e richiede alcune conoscenze basilari di meccanica. L'uso improprio o irresponsabile di questo prodotto può causare lesioni alle persone e danni al prodotto stesso o alle altre cose. Questo prodotto non deve essere utilizzato dai bambini senza la diretta supervisione di un adulto. Non usare componenti non compatibili o alterare il prodotto in nessuna maniera al di fuori delle istruzioni fornite da Horizon Hobby, LLC. Questo manuale contiene le istruzioni per la sicurezza, l'uso e la manutenzione del prodotto. È fondamentale leggere e seguire tutte le istruzioni e le avvertenze del manuale prima di montare, impostare o utilizzare il prodotto, al fine di utilizzarlo correttamente e di evitare di causare danni alle cose o gravi lesioni alle persone.

Almeno 14 anni. Non è un giocattolo.

PRECAUZIONI PER LA SICUREZZA

- Prima di usare il modello accertarsi sempre che le batterie siano correttamente caricate.
- Tenere sempre una distanza di sicurezza in tutte le direzioni intorno al modello per evitare collisioni o lesioni. Questo modello è controllato con un segnale radio che può essere soggetto a interferenze provenienti da varie fonti non controllabili. L'interferenza può causare una perdita di controllo momentanea.
- Non usare il modello in condizioni climatiche avverse. La scarsa visibilità può causare disorientamento e perdita di controllo del modello.
- Non puntare mai l'antenna direttamente verso il modello perché l'irraggiamento attraverso la punta è molto scarso.
- Se durante l'utilizzo del modello si notano dei movimenti anormali o errati, bisogna smettere immediatamente e non riutilizzarlo finché la causa non viene individuata e risolta.

PRECAUZIONI PER LA SICUREZZA DELLE BATTERIE DEL TRASMETTITORE

- Non montare batterie danneggiate.
- Non montare insieme, nel trasmettitore, batterie di tipo diverso o di età diverse.
- Togliere sempre le batterie scariche.
- Togliere sempre le batterie prima di riporre il trasmettitore.
- Le batterie scariche possono causare la perdita di controllo del veicolo RC.

CARATTERISTICHE

- **Peso:** 242g (377g con batterie 4xAAA)
- **Frequenza:** 2,4GHz
- **Tensione / capacità:** 6 V DC
- **Potenza in uscita:** 120 metri
- **Ricevitori compatibili:** HRZ00005, HRZ00006, HRZ00002

INSTALLAZIONE DELLE BATTERIE DEL TRASMETTITORE

Per questo trasmettitore servono 4 pile AAA.

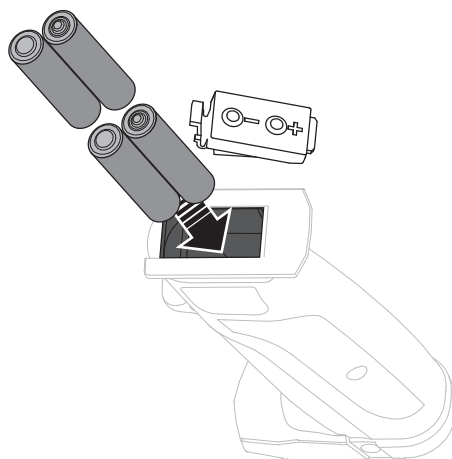
1. Togliere il coperchio del portapile dal trasmettitore.
2. Inserire le pile come illustrato.
3. Rimettere a posto il coperchio del portapile.



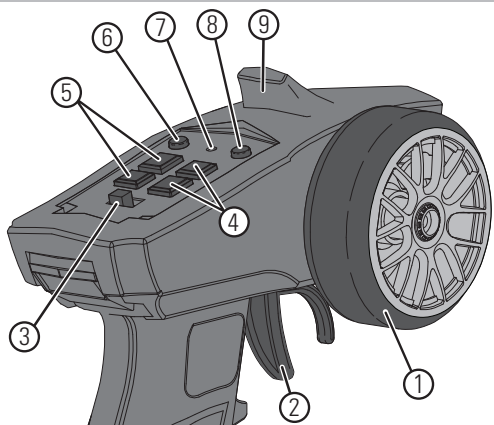
ATTENZIONE: se si usano batterie ricaricabili, si raccomanda di ricaricare solo queste. Se si tenta di ricaricare pile non ricaricabili, si potrebbe provocarne lo scoppio con conseguenti ferite alle persone e danni alle cose.



ATTENZIONE: se le batterie vengono sostituite con tipi non adatti, potrebbero esplodere. Le batterie si devono smaltire nel modo corretto secondo le disposizioni locali.



CONTROLLI DEL TRASMETTITORE



1. **Volantino** Controlla la direzione (destra/sinistra) del modello
2. **Grilletto** Comando motore, controlla la velocità e il senso di marcia (avanti/freno/indietro) del modello
3. **Interruttore ON/OFF** Accende o spegne la trasmittente
4. **TH DR/TH Trim** Regola i punti finali del trim del motore
5. **ST DR/ST Trim** Regola i punti finali del trim dello sterzo
6. **CH3**
7. **Luci di indicazione**
 - **Azzurro fisso**—Indica la connettività della trasmittente e che le batterie forniscono un'alimentazione adeguata
 - **Azzurro lampeggiante**—Segnala che le batterie sono quasi scariche. Sostituire le batterie
8. **REV** Inverse les fonctions de volant et de gaz
9. **Antenna** Trasmette il segnale al modello

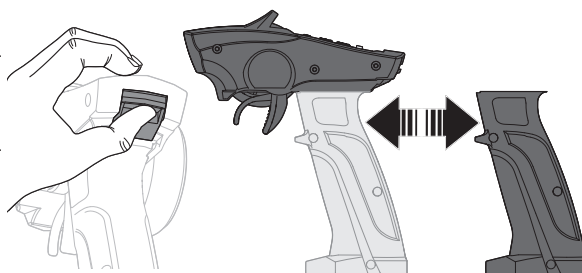
MONTAGGIO E SMONTAGGIO DELL'IMPUGNATURA DELLA TRASMITTENTE

Montaggio

1. Premere il pulsante posteriore sulla parte superiore della trasmittente.
2. Far scorrere l'impugnatura della trasmittente nel binario.

Smontaggio

1. Premere il pulsante posteriore sulla parte superiore della trasmittente.
2. Far scorrere l'impugnatura della trasmittente fuori dal binario.

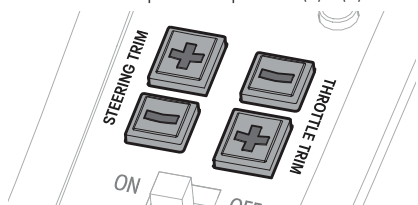


REGOLAZIONE DEI DUAL RATE

La trasmittente consente la regolazione dei riduttori di corsa (Dual Rate) di timone e motore.

Dual Rate timone

1. Accendere la trasmittente.
2. Accendere il modello.
3. Sulla trasmittente, dare e mantenere timone a sinistra o a destra.
4. Per aumentare o ridurre la corsa del timone, mantenere premuto il tasto del timone e premere il pulsante (+) o (-) ST DR.



Dual Rate motore

1. Accendere la trasmittente.
2. Accendere il modello.
3. Sulla trasmittente, dare e mantenere il comando motore in avanti o all'indietro.
4. Per aumentare o ridurre la corsa del motore, mantenere premuto il tasto del timone e premere il pulsante (+) o (-) ST DR.

AVVISO: la regolazione del comando motore influisce negativamente sulla funzione di auto-raddrizzamento in quanto questa dipende dal numero di giri del motore.

AVVISO: non regolare il Dual Rate del motore a modello acceso e poggiato su un supporto. La regolazione del Dual Rate potrebbe dare potenza al motore, con rischio di danni a cose o di lesioni personali.

CONNESSIONE (BINDING)

L'operazione di connessione (binding) serve a programmare il ricevitore a riconoscere il numero di codice unico (GUID) di uno specifico trasmettitore.

1. Verificare che il ricevitore e il trasmettitore siano spenti.
2. Collegare una batteria completamente carica al ricevitore.
3. Accendere il trasmettitore.

4. Premere il pulsante bind del ricevitore con una puntina e accendere il ricevitore. Il LED lampeggerà quando è in corso il binding.

AVVISO: Non tentare di connettere trasmettitore e ricevitore se ci sono altri radiocomandi nella stessa modalità entro un raggio di 120 metri. In questo caso si potrebbe avere una connessione non voluta.

FAILSAFE

1. Accendere prima il trasmettitore e poi il ricevitore.
2. Premere il pulsante bind del ricevitore con una puntina e accendere il ricevitore. Il LED lampeggerà e diventerà fisso quando è impostato Failsafe.
3. Rimuovere il connettore di binding.

GUIDA ALLA RISOLUZIONE DEI PROBLEMI

Problema	Possibile causa	Soluzione
Il sistema non si connette	Trasmettitore e ricevitore sono troppo vicini	Allontanare il trasmettitore dal ricevitore
	Trasmettitore o ricevitore sono troppo vicini a grossi oggetti metallici o a sorgenti di segnali RF WiFi	Spostarsi in un altro posto e rifare la connessione (binding)
	Il trasmettitore è stato posto accidentalmente in modalità "bind" e non è più connesso al ricevitore	Rifare la connessione fra trasmettitore e ricevitore
Scarsa portata	Batterie del trasmettitore scariche	Sostituire/Caricare
	Antenna del trasmettitore danneggiata o allentata	Verificare/Stringere
	Antenna del ricevitore danneggiata	Verificare/Riparare/Sostituire
Il ricevitore smette di funzionare durante l'uso	Batterie del trasmettitore scariche	Sostituire/Caricare
	Collegamenti tra batteria e ricevitore allentati o fili danneggiati	Verificare i collegamenti tra batteria e ricevitore. Riparare o sostituire le parti danneggiate

GARANZIA

Periodo di garanzia—Garanzia esclusiva - Horizon Hobby, LLC (Horizon) garantisce che il prodotto acquistato (il "Prodotto") sarà privo di difetti relativi ai materiali e di eventuali errori di montaggio alla data di acquisto. Il periodo di garanzia è conforme alle disposizioni legali del paese nel quale il prodotto è stato acquistato. Tale periodo di garanzia ammonta a 6 mesi e si estende ad altri 18 mesi dopo tale termine.

Limiti della garanzia—(a) La garanzia è limitata all'acquirente originale (Acquirente) e non è cedibile a terzi. L'acquirente ha il diritto a far riparare o a far sostituire la merce durante il periodo di questa garanzia. La garanzia copre solo quei prodotti acquistati presso un rivenditore autorizzato Horizon. Altre transazioni di terze parti non sono coperte da questa garanzia. La prova di acquisto è necessaria per far valere il diritto di garanzia. Inoltre, Horizon si riserva il diritto di cambiare o modificare i termini di questa garanzia senza alcun preavviso e di escludere tutte le altre garanzie già esistenti.

(b) Horizon non si assume alcuna garanzia per la disponibilità del prodotto, per l'adeguatezza o l'idoneità del prodotto a particolari previsti dall'utente. È sola responsabilità dell'acquirente il fatto di verificare se il prodotto è adatto agli scopi da lui previsti.

(c) Richiesta dell'acquirente – spetta soltanto a Horizon, a propria discrezione riparare o sostituire qualsiasi prodotto considerato difettoso e che rientra nei termini di garanzia. Queste sono le uniche rivalse a cui l'acquirente si può appellare, se un prodotto è difettoso.

Horizon si riserva il diritto di controllare qualsiasi componente utilizzato che viene coinvolto nella rivalsa di garanzia. Le decisioni relative alla sostituzione o alla riparazione sono a discrezione di Horizon. Questa garanzia non copre dei danni superficiali o danni per cause di forza maggiore, uso errato del prodotto, un utilizzo che viola qualsiasi legge, regolamentazione o disposizione applicabile, negligenza, uso ai fini commerciali, o una qualsiasi modifica a qualsiasi parte del prodotto.

Questa garanzia non copre danni dovuti ad un'installazione errata, ad un funzionamento errato, ad una manutenzione o un tentativo di riparazione non idonei a cura di soggetti diversi da Horizon. La restituzione del prodotto a cura dell'acquirente, o da un suo rappresentante, deve essere approvata per iscritto dalla Horizon.

Limiti di danno—Horizon non si riterrà responsabile per danni speciali, diretti, indiretti o consequenziali; perdita di profitto o di produzione; perdita commerciale connessa al prodotto, indipendentemente dal fatto che la richiesta si basa su un contratto o sulla garanzia. Inoltre la responsabilità di Horizon non supera mai in nessun caso il prezzo di acquisto del prodotto per il quale si chiede la responsabilità. Horizon non ha alcun controllo sul montaggio, sull'utilizzo o sulla manutenzione del prodotto o di combinazioni di vari prodotti. Quindi Horizon non accetta nessuna responsabilità per danni o lesioni derivanti da tali circostanze. Con l'utilizzo e il montaggio del prodotto l'utente acconsente a tutte le condizioni, limitazioni e riserve di garanzia citate in questa sede.

Qualora l'utente non fosse pronto ad assumersi tale responsabilità associata all'uso del prodotto, si suggerisce di restituire il prodotto intatto, mai usato e immediatamente presso il venditore.

Indicazioni di sicurezza—Questo è un prodotto sofisticato di hobbistica e non è un giocattolo. Esso deve essere manipolato con cautela, con giudizio e richiede delle conoscenze basilari di meccanica e delle facoltà mentali di base. Se il prodotto non verrà manipolato in maniera sicura e responsabile potrebbero risultare delle lesioni, dei gravi danni a persone, al prodotto o all'ambiente circostante. Questo prodotto non è concepito per essere usato dai bambini senza una diretta supervisione di un adulto. Il manuale del prodotto contiene le istruzioni di sicurezza, di funzionamento e di manutenzione del prodotto stesso. È fondamentale leggere e seguire tutte le istruzioni e le avvertenze nel manuale prima di mettere in funzione il prodotto. Solo così si eviterà un utilizzo errato e si eviteranno incidenti, lesioni o danni.

Domande, assistenza e riparazioni—Il vostro negozio locale e/o luogo di acquisto non possono fornire garanzie di assistenza o riparazione senza previo colloquio con Horizon. Questo vale anche per le riparazioni in garanzia. Quindi in tali casi bisogna interpellare un rivenditore, che si metterà in contatto subito con Horizon per prendere una decisione che vi possa aiutare nel più breve tempo possibile.

Manutenzione e riparazione—Se il prodotto deve essere ispezionato o riparato, si prega di rivolgersi ad un rivenditore specializzato o direttamente ad Horizon. Il prodotto deve essere imballato con cura. Bisogna far notare che i box originali solitamente non sono adatti per effettuare una spedizione senza subire alcun danno. Bisogna effettuare una spedizione via corriere che fornisce una tracciabilità e un'assicurazione, in quanto Horizon non si assume alcuna responsabilità in relazione alla spedizione del prodotto. Inserire il prodotto in una busta assieme ad una descrizione dettagliata degli errori e ad una lista di tutti i singoli componenti spediti. Inoltre abbiamo bisogno di un indirizzo completo, di un numero di telefono per chiedere ulteriori domande e di un indirizzo e-mail.

Garanzia a riparazione—Le richieste in garanzia verranno elaborate solo se è presente una prova d'acquisto in originale proveniente da un rivenditore specializzato autorizzato, nella quale è ben visibile la data di acquisto. Se la garanzia viene confermata, allora il prodotto verrà riparato o sostituito. Questa decisione spetta esclusivamente a Horizon Hobby.

Riparazioni a pagamento—Se bisogna effettuare una riparazione a pagamento, effettueremo un preventivo che verrà inoltrato al vostro rivenditore. La riparazione verrà effettuata dopo l'autorizzazione da parte del vostro rivenditore. La somma per la riparazione dovrà essere pagata al vostro rivenditore. Le riparazioni a pagamento avranno un costo minimo di 30 minuti di lavoro e in fattura includeranno le spese di restituzione. Qualsiasi riparazione non pagata e non richiesta entro 90 giorni verrà considerata abbandonata e verrà gestita di conseguenza.

ATTENZIONE: Le riparazioni a pagamento sono disponibili solo sull'elettronica e sui motori. Le riparazioni a livello meccanico, soprattutto per gli elicotteri e le vetture RC, sono molto costose e devono essere effettuate autonomamente dall'acquirente.

10/15

GARANZIA E ASSISTENZA - INFORMAZIONI PER I CONTATTI

Paese di acquisto	Horizon Hobby	Indirizzo e-mail/ Telefono	Indirizzo
EU	Horizon Technischer Service	service@horizonhobby.eu	Hanskampring 9 D 22885 Barsbüttel, Germany
	Sales: Horizon Hobby GmbH	+49 (0) 4121 2655 100	

INFORMAZIONI SULLA CONFORMITÀ PER L'UNIONE EUROPEA

CE **Dichiarazione di Conformità EU:** Horizon Hobby, LLC con la presente dichiara che il prodotto è conforme ai requisiti essenziali e ad altre disposizioni rilevanti della direttiva RED.

Una copia della dichiarazione di conformità per l'Unione Europea è disponibile a:

<http://www.horizonhobby.com/content/support-render-compliance>



Smaltimento all'interno dell'Unione Europea

Questo prodotto non deve essere smaltito assieme ai rifiuti domestici. Invece è responsabilità dell'utente lo smaltimento di tali rifiuti, che devono essere portati in un centro di raccolta designato per il riciclaggio di rifiuti elettronici. Con tale procedimento si aiuterà preservare l'ambiente e le risorse non verranno sprecate. In questo modo si proteggerà il benessere dell'umanità. Per maggiori informazioni sui punti di riciclaggio si prega di contattare il proprio ufficio locale o il servizio di smaltimento rifiuti.