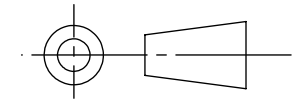
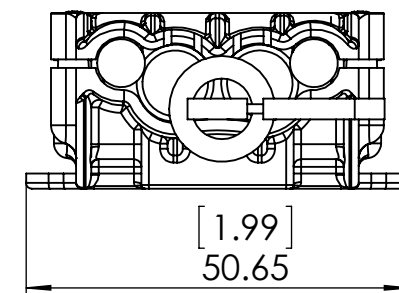
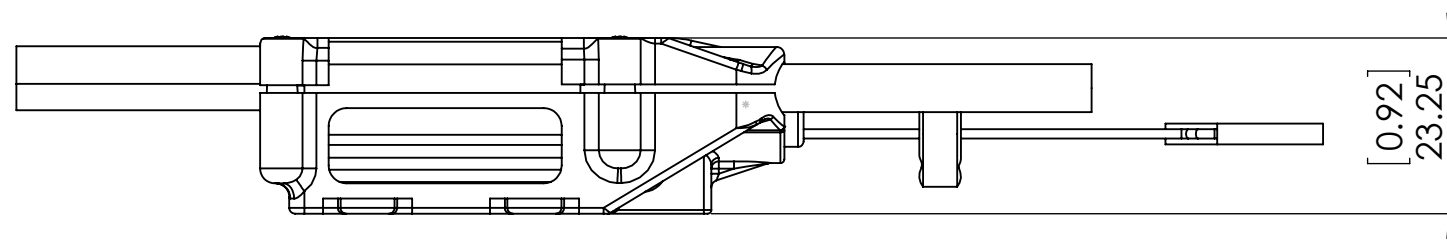
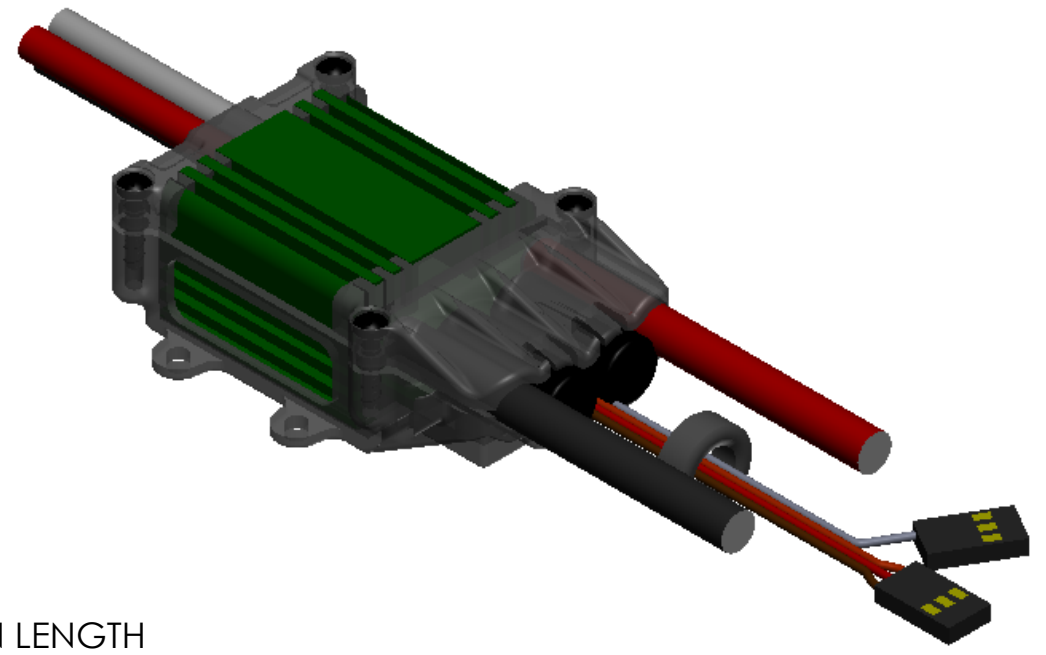
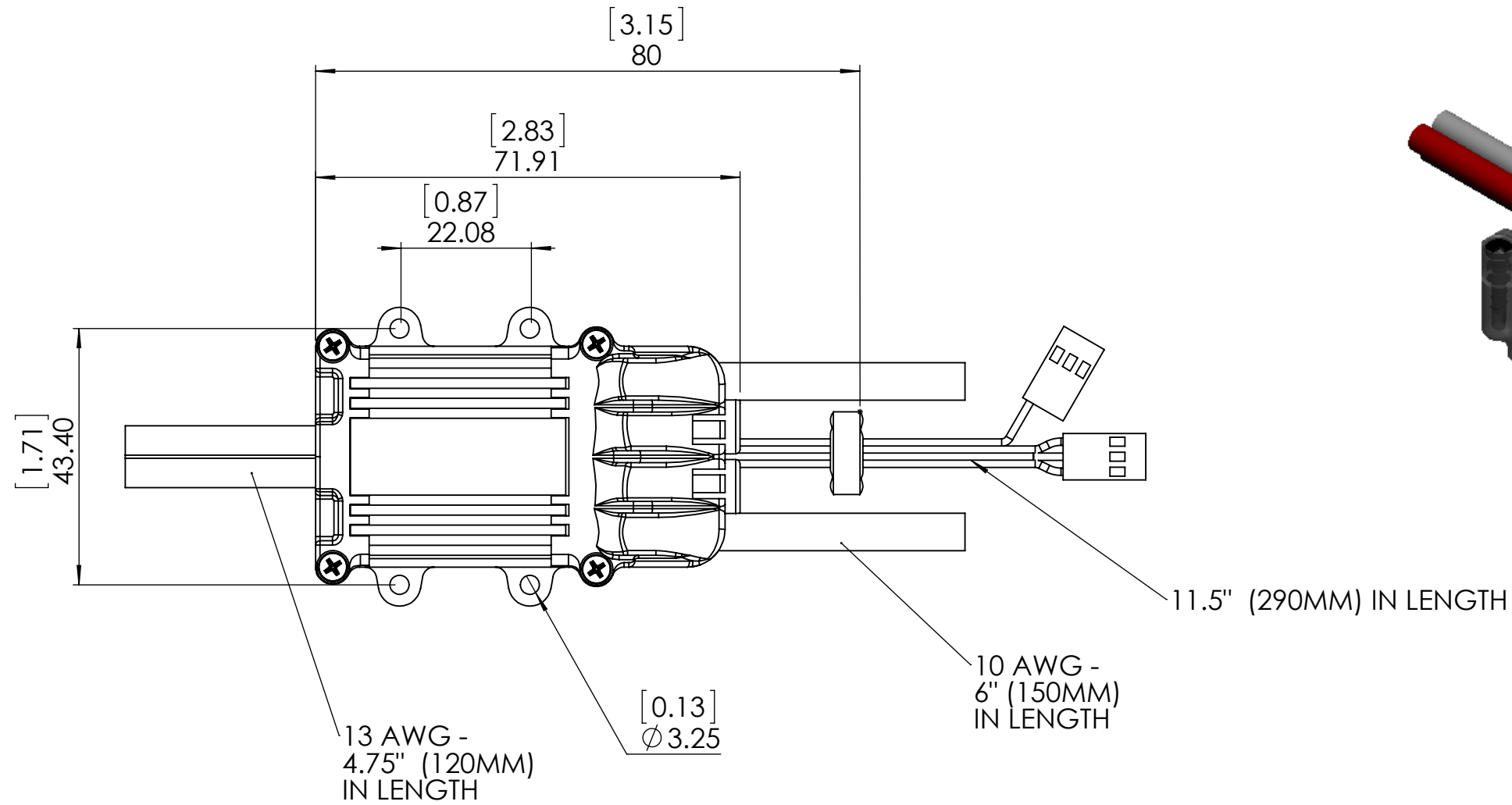


8 7 6 5 4 3 2 1

D
C
B
A

D
C
B
A



PROPRIETARY AND CONFIDENTIAL
 THE INFORMATION CONTAINED IN THIS DRAWING IS THE SOLE PROPERTY OF CASTLE CREATIONS. ANY REPRODUCTION IN PART OR AS A WHOLE WITHOUT THE WRITTEN PERMISSION OF CASTLE CREATIONS IS PROHIBITED.

UNLESS OTHERWISE SPECIFIED:	
DIMENSIONS ARE IN MM	
TOLERANCES: (UNLESS NOTED)	
ANGULAR: MACH ±0.5° BEND ±1°	
ONE PLACE DECIMAL ±0.2	
TWO PLACE DECIMAL ±0.08	
DRAWN: JCV	
DATE: 08/22/2012	
MATERIAL	
FINISH: NONE	
DO NOT SCALE DRAWING	

<i>castle creations, inc.</i>		
TITLE:		
SIZE	DWG. NO.	REV
B	EDGE 75	-
SCALE: 1:2		SHEET 1 OF 1

8 7 6 5 4 3 2 1