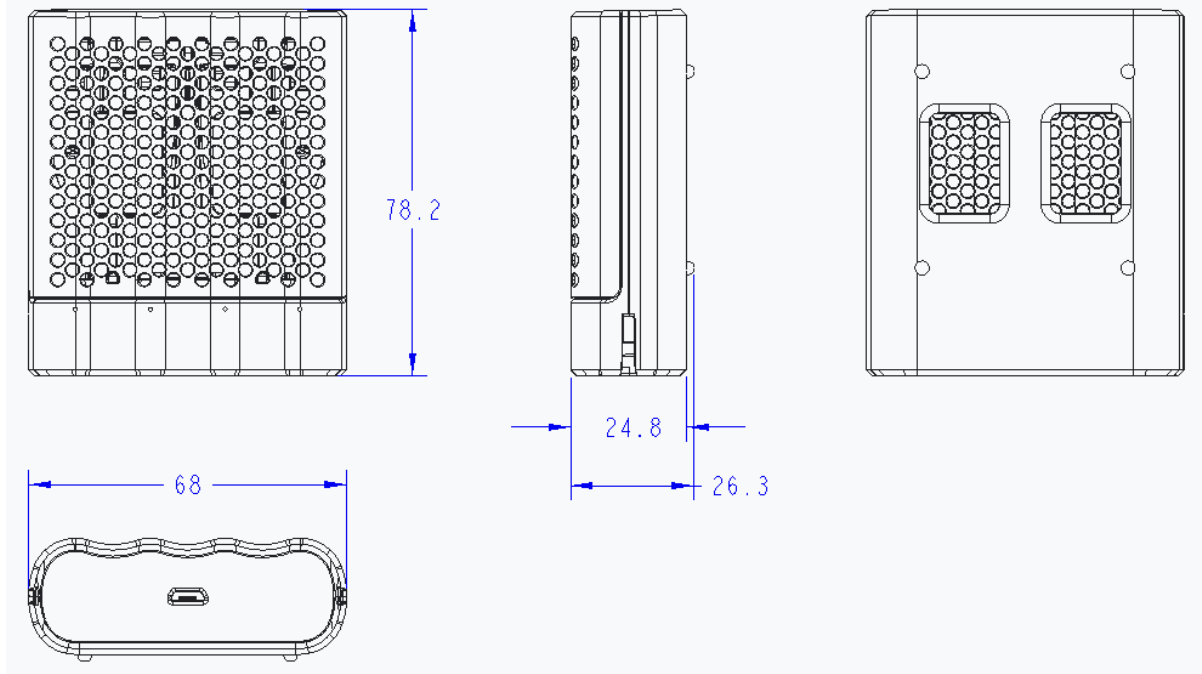


GP Batteries

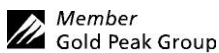
Product Specification

Model no.: M451



Product Name	:	USB 4-Slot NiMH Charger M451
Input	:	DC5V 1A
Charging Channels	:	4 independent channels ; 1 slot/channel for 1-4 pcs AA/AAA NiMH batteries
Output Voltage	:	1.4V
Charging Current	:	1.1A approx. for 1-2 pcs AA ; 0.73-0.55A approx. for 3-4 pcs AA 0.73A approx. for 1-2 pcs AAA ; 0.49-0.37A approx for 3-4 pcs AAA
Charging Time	:	For AA 2000mAh or AAA 800mAh, approx. 2hrs for 1-2 pcs ; approx. 4hrs for 3-4 pcs
Trickle Charging Current	:	0.12A approx. for AA ; 0.07A approx. for AAA
Standby current at no input	:	<0.1mA
LED Indication	:	

Charging Condition	Four Dual Colour LED (Red & Green)
Power On	Green Flashes 0.5s and then off
Charging	Green Slow Flashing
Fully charged	Green LED On
Bad/Primary Batteries inserted	Red LED Fast Flashing
Input voltage less than 4.35V	Red and green led alternate flash, each on 0.5s



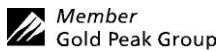
Manufacturer reserves the right to alter or amend the design, model and specification without prior notice.

GP Batteries

Product Specification

Model no.: M451

Safety protection	:	1) Fixed Timer – 180min for 1/2 batteries ; 270min for 3 batteries ; 360 min for 4 batteries 2) -dV 3) TCO 50+/-3C
Operation Temperature	:	0°C to 35°C for charging input via charging dock at vertical placement 0°C to 30°C for charging input via USB directly at horizontal placement
Dimensions	:	68 (L) x 78 (W) x 26 (H)
Weight	:	51.5 g (approx.)
Certification	:	CE, FCC, Rohs
Warranty Period	:	12 months from ex-factory date



Manufacturer reserves the right to alter or amend the design, model and specification without prior notice.