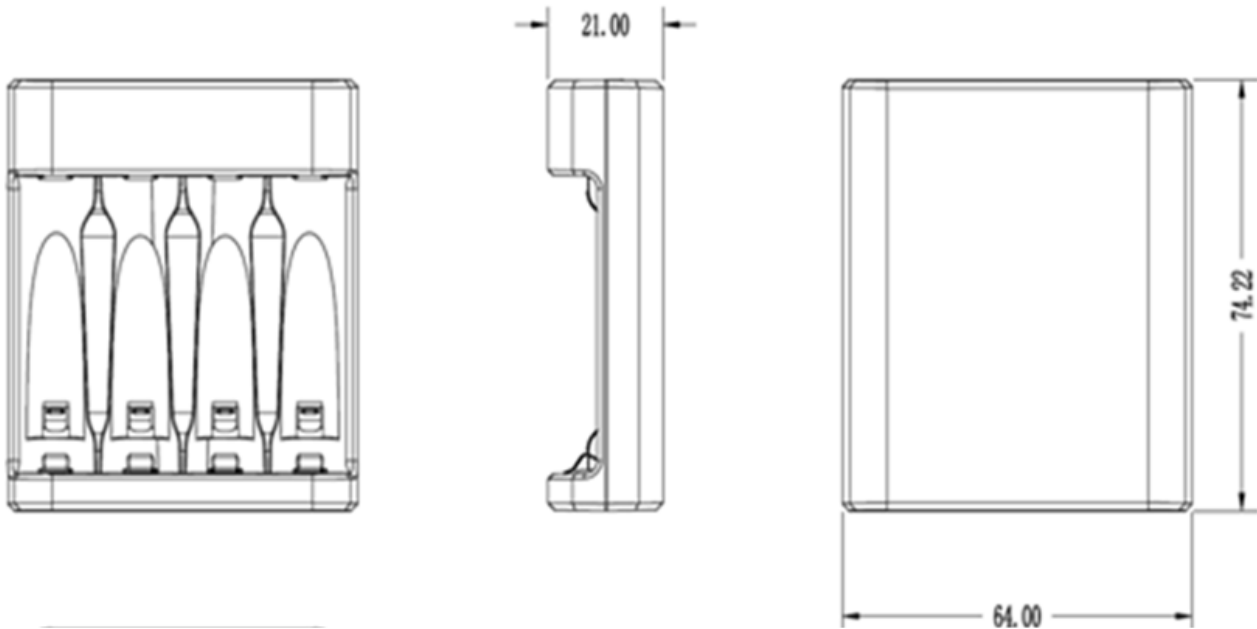


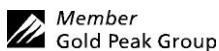
# GP Batteries

## Product Specification

Model no.: E411



Product Name	:	USB 4-Slot Charger <b>E411</b>
Input	:	DC5V 1A
Charging Channels	:	2 independent channels ; 2 slots/channel for 2 or 4 pcs AA/AAA Ni-MH batteries
Output Voltage	:	2.8V
Charging Current	:	300mA approx for AA/AAA Ni-MH batteries
Charging Time	:	Approx. 480 Min for 2000mAh ; Approx. 190 Min for 800mAh
Trickle Charging Current	:	50mA approx for AA/AAA Ni-MH batteries
Standby current at no input	:	<0.1mA
Operation Temperature	:	0°C to 35°C
LED Indication	:	Green LED ON for 0.5 second after just USB power input Charging in progress - Green LED slow flashing Fully charged – Green LED ON Bad/Primary Batteries inserted – Green LED fast flash
Safety protection	:	1) Timer protection – 10 hours 2) -dv
Dimensions	:	64 (L) x 74.2 (W) x 21 (H) mm
Weight	:	35 g (approx.)
Certification	:	CE, FCC, Rohs
Warranty Period	:	12 months from ex-factory date



Manufacturer reserves the right to alter or amend the design, model and specification without prior notice.