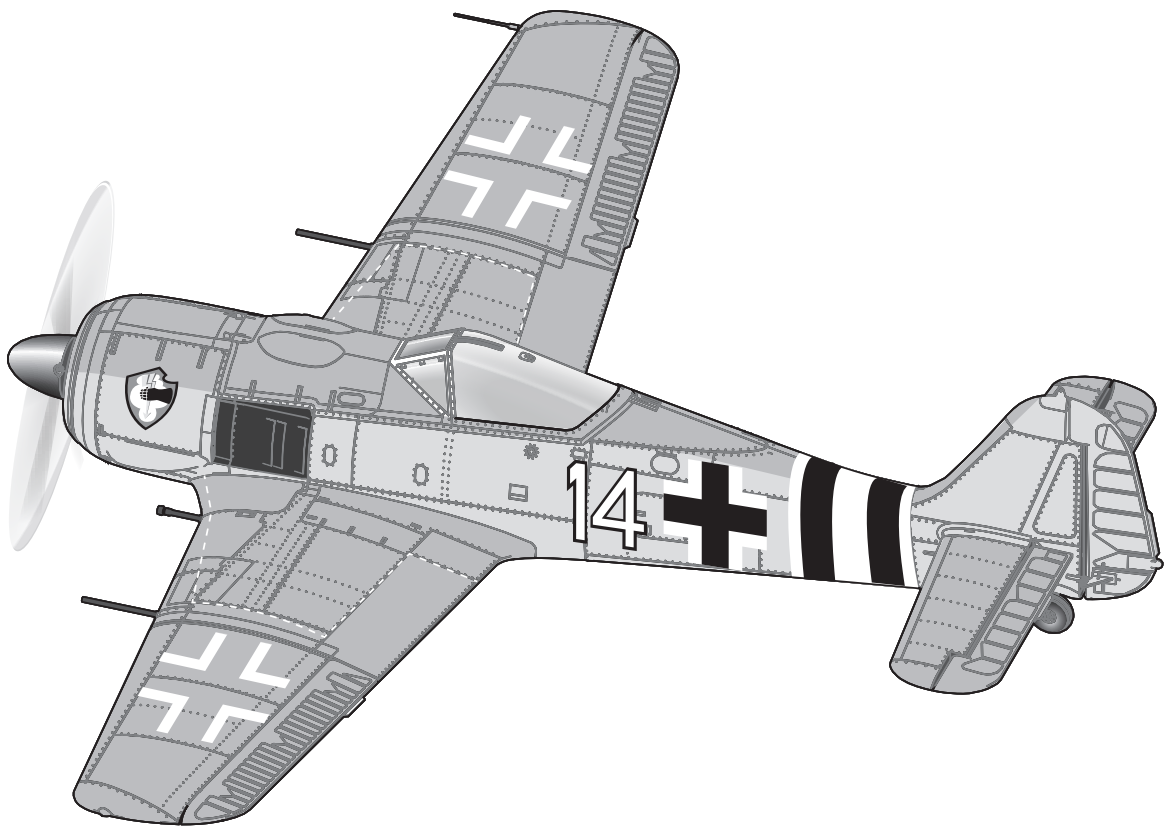


HORIZON[®]
H O B B Y

Eflite[®]
ADVANCING ELECTRIC FLIGHT

Fw 190A 1.5m



Instruction Manual
Bedienungsanleitung
Manuel d'utilisation
Manuale di Istruzioni

SAFE[®] 

SAFE[®] Select Technology, Optional Flight Envelope Protection

SMART[™]
TECHNOLOGY 

Plug-N-Play[®]

Bind-N-Fly[®]
BASIC

NOTICE

All instructions, warranties and other collateral documents are subject to change at the sole discretion of Horizon Hobby, LLC. For up-to-date product literature, visit horizonhobby.com or towerhobbies.com and click on the support or resources tab for this product.

MEANING OF SPECIAL LANGUAGE:

The following terms are used throughout the product literature to indicate various levels of potential harm when operating this product:

WARNING: Procedures, which if not properly followed, create the probability of property damage, collateral damage, and serious injury OR create a high probability of superficial injury.

CAUTION: Procedures, which if not properly followed, create the probability of physical property damage AND a possibility of serious injury.

NOTICE: Procedures, which if not properly followed, create a possibility of physical property damage AND little or no possibility of injury.



WARNING: Read the ENTIRE instruction manual to become familiar with the features of the product before operating. Failure to operate the product correctly can result in damage to the product, personal property and cause serious injury.

This is a sophisticated hobby product. It must be operated with caution and common sense and requires some basic mechanical ability. Failure to operate this Product in a safe and responsible manner could result in injury or damage to the product or other property. This product is not intended for use by children without direct adult supervision. Do not use with incompatible components or alter this product in any way outside of the instructions provided by Horizon Hobby, LLC. This manual contains instructions for safety, operation and maintenance. It is essential to read and follow all the instructions and warnings in the manual, prior to assembly, setup or use, in order to operate correctly and avoid damage or serious injury.

14+ AGE RECOMMENDATION: Not for children under 14 years. This is not a toy.

Safety Precautions and Warnings

As the user of this product, you are solely responsible for operating in a manner that does not endanger yourself and others or result in damage to the product or the property of others.

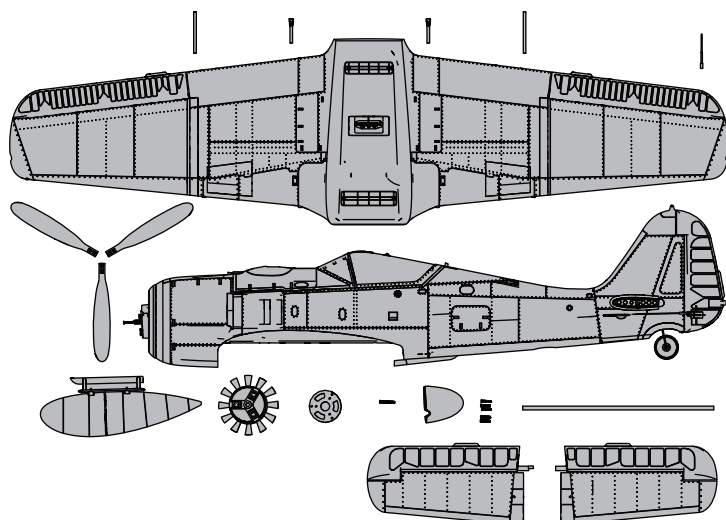
- Always keep a safe distance in all directions around your model to avoid collisions or injury. This model is controlled by a radio signal subject to interference from many sources outside your control. Interference can cause momentary loss of control.
- Always operate your model in open spaces away from full-size vehicles, traffic and people.
- Always carefully follow the directions and warnings for this and any optional support equipment (chargers, rechargeable battery packs, etc.).
- Always keep all chemicals, small parts and anything electrical out of the reach of children.
- Always avoid water exposure to all equipment not specifically designed and protected for this purpose. Moisture causes damage to electronics.
- Never place any portion of the model in your mouth as it could cause serious injury or even death.
- Never operate your model with low transmitter batteries.
- Always keep aircraft in sight and under control.
- Always use fully charged batteries.
- Always keep transmitter powered on while aircraft is powered.
- Always remove batteries before disassembly.
- Always keep moving parts clean.
- Always keep parts dry.
- Always let parts cool after use before touching.
- Always remove batteries after use.
- Always ensure failsafe is properly set before flying.
- Never operate aircraft with damaged wiring.
- Never touch moving parts.



WARNING AGAINST COUNTERFEIT PRODUCTS: If you ever need to replace your Spektrum receiver found in a Horizon Hobby product, always purchase from Horizon Hobby, LLC or a Horizon Hobby authorized dealer to ensure authentic high-quality Spektrum product. Horizon Hobby, LLC disclaims all support and warranty with regards, but not limited to, compatibility and performance of counterfeit products or products claiming compatibility with DSM or Spektrum technology.

Box Contents

Quick Start Information			
Transmitter Setup	1. Blank (Acro) Model		
	2. Servo Reversing: Set all to normal		
	3. Travel Adjust (All Surfaces): 100%		
Dual Rates*		High Rate	Low Rate
	Aileron	▲ = 13mm ▼ = 13mm	▲ = 10mm ▼ = 10mm
	Elevator	▲ = 10mm ▼ = 7mm	▲ = 7mm ▼ = 5mm
	Rudder	▶ = 25mm ◀ = 25mm	▶ = 18mm ◀ = 18mm
	Flaps	Half (Take-off) ▼ = 15mm	Full (Landing) ▼ = 30mm
Elevator to Flap Mix	8% down elevator	15% down elevator	
Exponential (Soft center)		High Rate	Low Rate
	Aileron	10%	5%
	Elevator	10%	5%
	Rudder	10%	5%
Center of Gravity (CG)	105-120mm back from the inner gun mount on the leading edge with aircraft inverted.		
Flight Timer Setting	For first flight, set timer to 3 minutes. Adjust time depending on battery condition and flying style.		



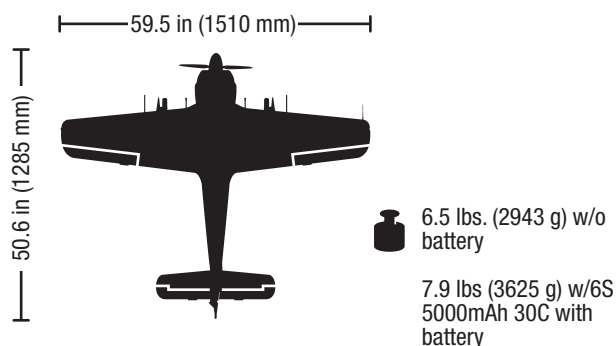
Specifications

	BNP BASIC	PNP PLUG-N-PLAY
Motor: 4258-460kV 14-pole BL Motor (SPMXAM1000)	Installed	Installed
ESC: Avian 100-Amp Smart ESC 6S (SPMXAE1100)	Installed	Installed
Servos: Aileron: (2) Spektrum A430; 150mm Lead Elevator: (1) Spektrum A430; 150mm Lead Rudder: (1) Spektrum A430; 150mm Lead Flaps: (2) Spektrum A430; 330mm Lead	Installed	Installed
Receiver: Spektrum™ AR637TA 6-Channel AS3X/SAFE Telemetry Receiver (SPMAR637T)	Installed	Required to Complete
Recommended Battery: 5000mAh 6S 22.2V Smart 30C IC5 LiPo (SPMX50006S30)	Required to Complete	Required to Complete
Recommended Battery Charger: 6 cell Li-Po battery balancing charger	Required to Complete	Required to Complete
Recommended Transmitter: Full-Range 2.4GHz with Spektrum™ DSM2®/DSMX® technology with programmable mixing and adjustable dual rates	Required to Complete	Required to Complete

Table of Contents

Preflight.....	4
Transmitter Setup	4
Model Assembly	5
PNP Receiver Selection and Installation	8
Battery Installation and ESC Arming	9
Control Surface Centering and Adjusting a Ball Link	10
Control Horn and Servo Arm Settings	10
Binding	11
SAFE® Select Switch Designation	12
Smart Technology™ Telemetry	12
Control Direction Test.....	13
AS3X Control Direction Test	14
Center of Gravity (CG)	14
In-Flight Trimming.....	14
Flying Tips and Repairs	15
SAFE® Select Flying Tips.....	15
Post Flight	16
Motor Service	16
Troubleshooting Guide AS3X	16
Troubleshooting Guide	17
Replacement Parts.....	18
Recommended Parts.....	18
Optional Parts.....	18
AMA National Model Aircraft Safety Code	19
Limited Warranty	20
Contact Information	20
FCC Information.....	21
IC Information.....	21
Compliance Information for the European Union.....	21

RECEIVER BIND INFORMATION	
Channels	6
Frequency	2402 – 2478 MHz
Compatibility	DSM2 and DSMX



If you own this product, you may be required to register with the FAA. For up-to-date information on how to register with the FAA, please visit <https://registermyuas.faa.gov/>. For additional assistance on regulations and guidance on UAS usage, visit knowbeforeyoufly.org/.

Preflight

1	Remove and inspect contents.
2	Read this instruction manual thoroughly.
3	Charge the flight battery.
4	Setup Transmitter using transmitter setup chart.
5	Fully assemble the airplane.
6	Install the flight battery in the aircraft (once it has been fully charged).
7	Check the Center of Gravity (CG).
8	Bind the aircraft to your transmitter.

9	Make sure linkages move freely.
10	Perform the Control Direction Test with the transmitter.
11	Perform the AS3X Control Direction Test with the aircraft.
12	Adjust flight controls and transmitter.
13	Perform a radio system Range Test.
14	Find a safe open area to fly.
15	Plan flight for flying field conditions.

Transmitter Setup

IMPORTANT: After you set up your model, always rebind the transmitter and receiver to set the desired failsafe positions.

IMPORTANT: The included receiver has been programmed specifically for operation in this aircraft. If you desire to use the AR637T receiver in a different aircraft visit spektrumrc.com for reprogramming instructions.

If your transmitter allows it, enable the throttle cut feature. Always engage throttle cut before approaching the aircraft.

Dual Rates

Low rate is recommended for the initial flights.

NOTICE: To ensure AS3X® technology functions properly, do not lower rate values below 50%. If lower rates are desired, manually adjust the position of the pushrods on the servo arm.

NOTICE: If oscillation occurs at high speed, refer to the Troubleshooting Guide for more information.

Exponential

After first flights, you may adjust expo in your transmitter.

Transmitter Telemetry Setup

If the transmitter that you intend to use with this aircraft is not displaying telemetry data, visit Spektrumrc.com and update your firmware. With the latest firmware installed on your transmitter the telemetry option should now be functional on your transmitter.

Computerized Transmitter Setup (DX6e [‡] , DX6 [‡] , DX7, DX7S, DX8, DX8e, DX9, DX10t, DX18, DX20, iX12, iX20, NX6, NX8, and NX10)	
Start all transmitter programming with a blank ACRO model (do a model reset), then name the model.	
Set Aileron, Elevator and Rudder Dual Rates to:	HIGH 100% LOW 70%
Set Servo Travel to:	100%
Set Throttle Cut to	-100%
DX7S DX8	1. Go to the SYSTEM SETUP
	2. Set MODEL TYPE: AIRPLANE
	3. Set WING TYPE: 1 AIL 1 FLAP
	4. Go to the FUNCTION LIST
	5. Set FLAP SYSTEM: Choose Flap NORM: -100% FLAP* MID: +20% FLAP* LAND: +100% FLAP* SPEED 2.0S: SWITCH = FLAP
DX6e[‡] DX6 (Gen2)[‡] DX7 (Gen2) DX8 (Gen2) DX8e DX9 DX10t DX18 DX20 iX12[†] iX20[†] NX6 NX8 NX10	1. Go to the SYSTEM SETUP (Model Utilities) [†]
	2. Set MODEL TYPE: AIRPLANE
	3. Set AIRCRAFT TYPE (Model Setup, Aircraft Type) [†] : WING: 1 AIL 1 FLAP
	4. Go to the FUNCTION LIST (Model Adjust) [†]
	5. Set FLAP SYSTEM: SELECT SWITCH D: POS 0: -100% FLAP* POS 1: +20% FLAP* POS 2: +100% FLAP* SPEED 2.0

[†] Some of the terminology and function locations used in the iX12 programming may be slightly different than other Spektrum AirWare™ radios. The names given in parenthesis correspond to the iX12 programming terminology. Consult your transmitter manual for specific information about programming your transmitter.

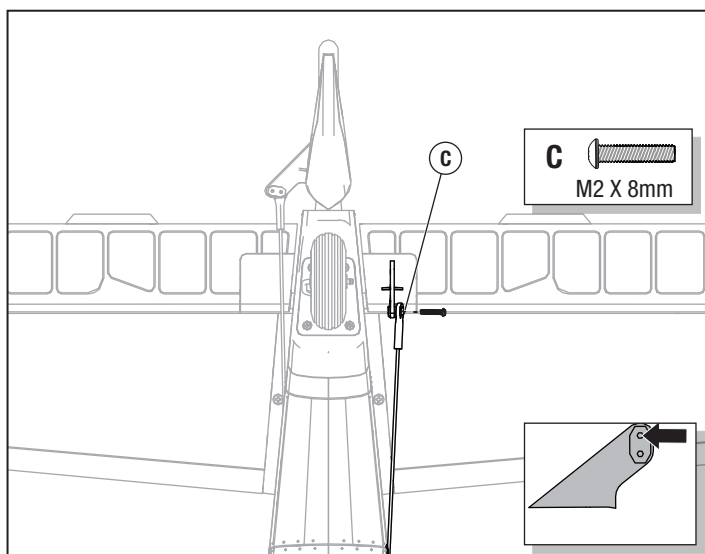
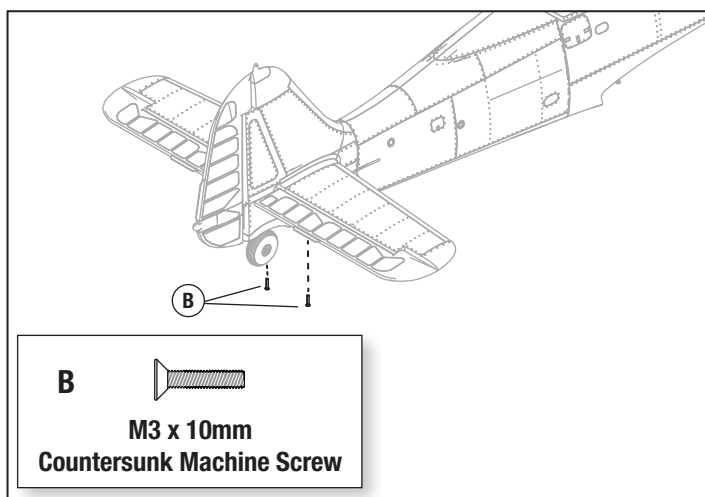
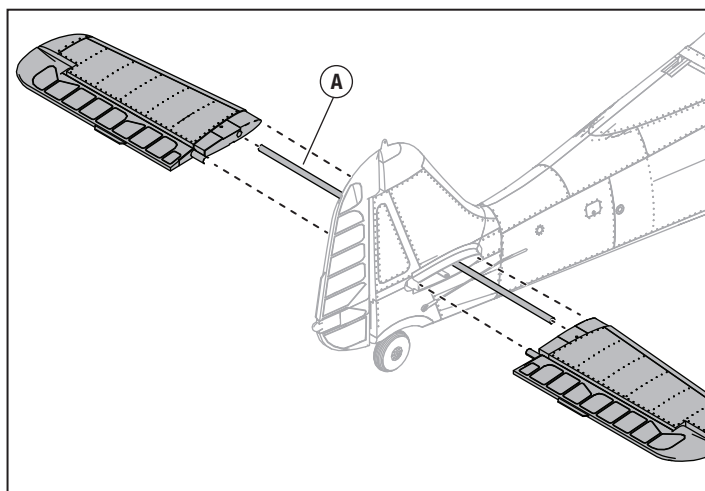
[‡] The settings provided above for the DX6 and DX6e do not allow for the use of a SAFE Select switch. To use a SAFE Select switch on these systems see the section below for transmitter setup and operation information.

Model Assembly

Horizontal Stabilizer Installation

1. Slide the horizontal tail tube (A) into the hole in the rear of the fuselage.
2. Install the 2 piece (left and right) horizontal tail as shown. Ensure the control horn faces down.
3. Secure the 2 piece horizontal tail in place with 2 screws (M3 x 10mm) (B) included.
4. Attach the ball link (C) to the elevator control horn's outermost hole using the included (M2 x 8mm) screw. Use a 2mm hex wrench to tighten the nut and screw.
5. Ensure the elevator and rudder servo arms are in the correct position, then adjust the linkage to center them.

Disassemble in reverse order.



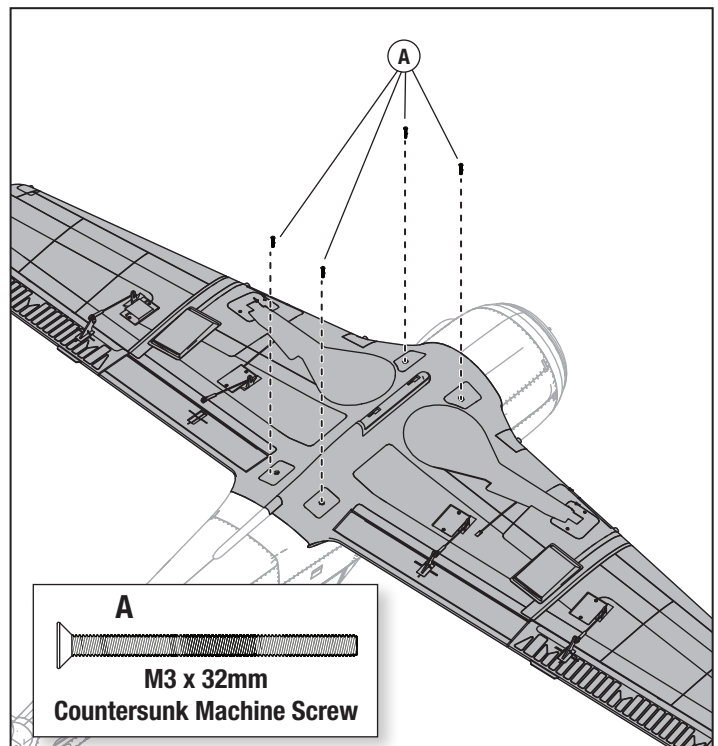
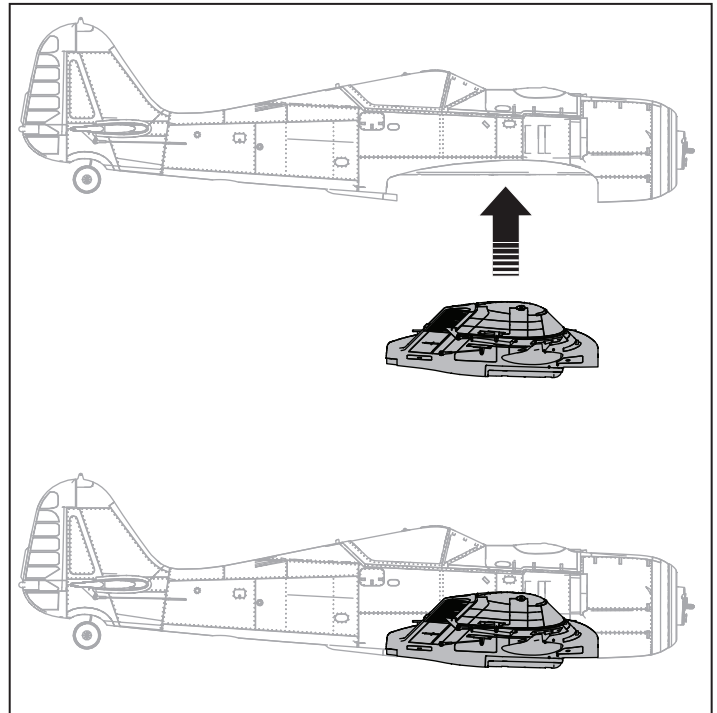
Screw Chart		
Location	Size	Screw Quantity
Elevator ball link screw	M2 x 8mm	1
Wing screw	M3 x 32mm	4
Horizontal stabilizer screws	M3 x 10mm	2
Spinner screw	M3 x 32mm	1
Propeller screws	M3 x 16mm	6
Tail wheel mount screws	2.0 x 8	4
Hands free servo plugs screws	2.0 x 8	8
Servo cover screws	2.0 x 8	8
Landing gear door cover screws (inside)	2.0 x 12	16
Landing gear door cover screws (outside)	2.0 x 6	2
Retract cover mount screws	2.0 x 8	4
Wheel axle hub screws	4.0 x 25	2
Retract motor mount screws	3.0 x 16	8
Wing plug screws	2.0 x 8	16
X Mount screws	3.0 x 16	4
Motor mount screws	4.0 x 10	4
Ball link clevis screws	2.0 x 8	6

Model Assembly *Continued*

Wing Installation

1. Align the hands-free servo connector and press the wing into the wing saddle.
2. Secure the wing into position using the included 4 screws (M3 x 32mm) (A). Use a 2mm hex driver to tighten the screws.

Disassemble in reverse order.



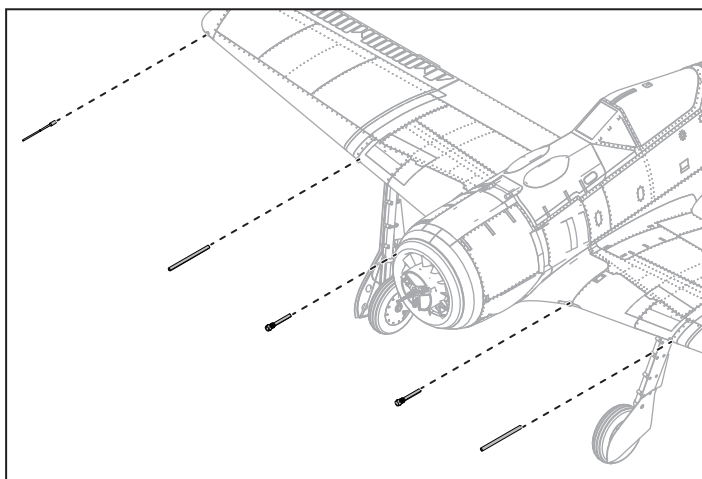
Continued 

Model Assembly *Continued*

Cannons, Guns, and Pitot Tube Installation

1. Install the cannons, guns and pitot tube on the wing by screwing them into their locations as shown.

Disassemble in reverse order.



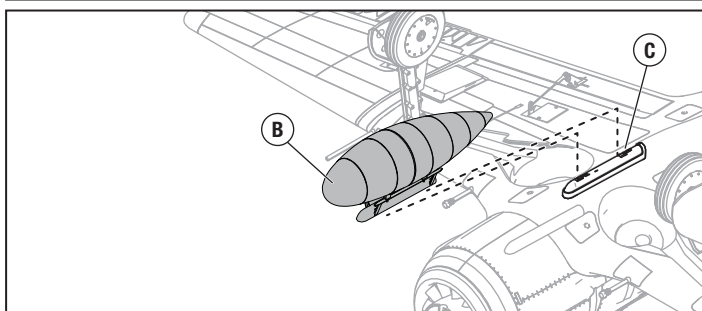
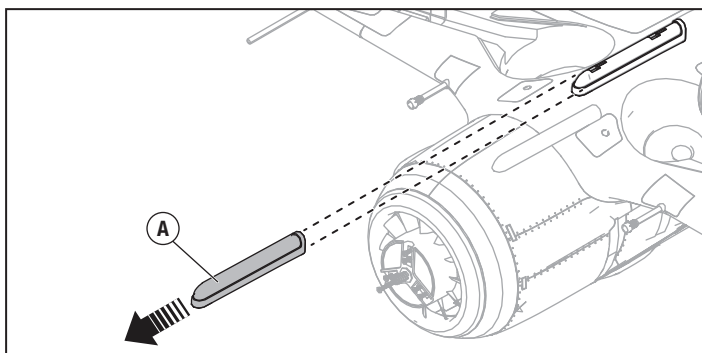
Optional Drop Tank Installation

1. Remove the drop tank mount cover (A) from the mount by sliding the cover forward.
2. Slide the optional drop tank (B) into the rail (C) on the bottom of the fuselage.

Check the Center of Gravity with the drop tank installed.

See the *Adjusting the Center of Gravity* instructions for more information.

Disassemble in reverse order.



Propeller Installation

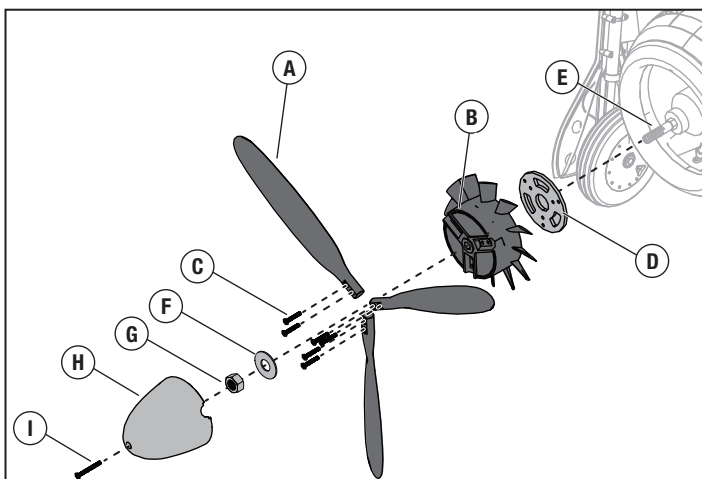
WARNING: Do not install the propeller until all system setups are complete. Failure to heed this warning could result in severe personal injury.


1. Install the aluminum backplate (D) into the back of the cooling fan hub (B).
2. Install the 3 propeller blades (A) onto the cooling fan hub using 6 screws (M3 x 16mm) (C).

TIP: The propeller's beveled screw holes must face out from the cooling fan hub for correct operation.

TIP: Before installing the cooling fan hub, be sure the ESC wires do not interfere with the cooling fan blades. Tuck the ESC wires into the ESC opening away from the cooling fan blades.

3. Slide the propeller cooling fan hub assembly onto the propeller shaft (E). Make sure the hex of the cooling fan hub properly seats on the hex of the prop shaft.
4. Install the propeller washer (F) and propeller nut (G) onto the propeller shaft. Secure the propeller cooling fan hub assembly to the prop shaft with wrench. Important to seat the propeller cooling fan hub assembly on the hex of the propeller shaft.
5. Align the spinner (H) on the propeller cooling fan assembly. Secure with screw (M3 x 32) (I). Note; take care not to overtighten the spinner screw and deform the spinner.



C 
M3 x 16mm
Countersunk Machine Screw

I 
M3 x 32mm
Countersunk Machine Screw

PNP Receiver Selection and Installation

The recommended receiver for this aircraft is the Spektrum AR637T. If you choose to install a different receiver, ensure that it is at least a 6-channel full range receiver. Refer to the manual of your chosen receiver for correct installation and operation instructions.

AR637T Installation

1. Slide the canopy latch (A) back and lift the back of the canopy to remove the canopy from the fuselage.
2. Attach the appropriate control surfaces to their respective ports on the receiver using the table at the right.
3. Using double-sided servo tape (not included), mount the receiver to the flat area behind the battery compartment, as shown. The receiver should be mounted in the orientation shown, parallel to the length of the fuselage, with the label facing up and the servo ports facing the front of the aircraft. The orientation of the receiver is critical for all AS3X® and SAFE® technology setups.



CAUTION: Incorrect installation of the receiver could cause a crash.

AR637T Port Assignments

BND/PRG = BIND

1 = Throttle

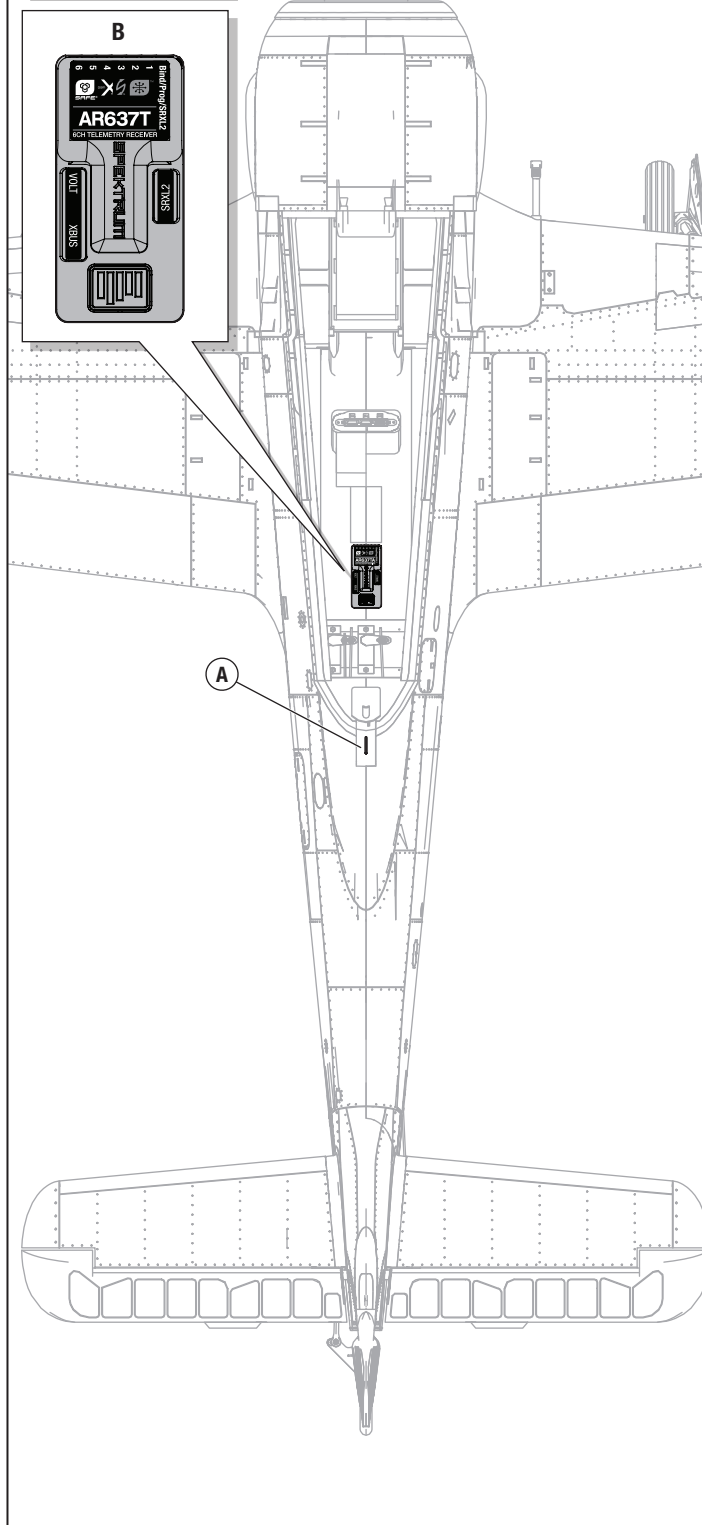
2 = Aileron

3 = Elevator

4 = Rudder

5 = Retracts

6 = Flaps



Battery Installation and ESC Arming

Battery Selection

We recommend the 5000mAh 22.2V 6S 30C Li-Po battery (SPMX50006S30). Refer to the Optional Parts List for other recommended batteries. If using a battery other than those listed, the battery should be within the range of capacity, dimensions and weight of the Spektrum Smart Li-Po battery packs to fit in the fuselage. Be sure the model balances at the recommended CG.

1. Lower the throttle to the lowest settings. Power on the Transmitter, then wait 5 seconds.
2. Slide the canopy latch back and lift the back of the canopy (A) to remove.
3. Slide the battery tray (B) out of the battery compartment.
4. For added security apply the loop side (soft side) of the optional hook and loop tape (C) to the bottom of your battery and the hook side to the battery tray.
5. Install a fully charged battery (D) on the front edge of the battery tray as shown and secure it using the hook and loop straps (E).

TIP: With most 6S 5000mAh 30C LiPo battery packs, install the battery far forward in the battery tray. Battery will over-hang the front of battery tray and be near the back face of the firewall.

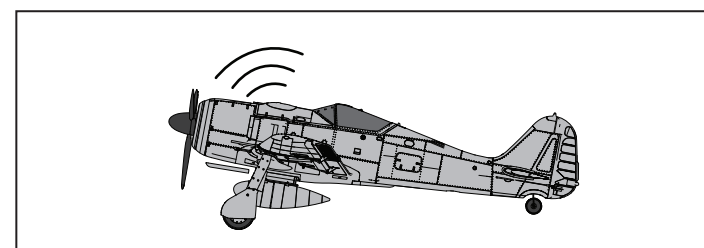
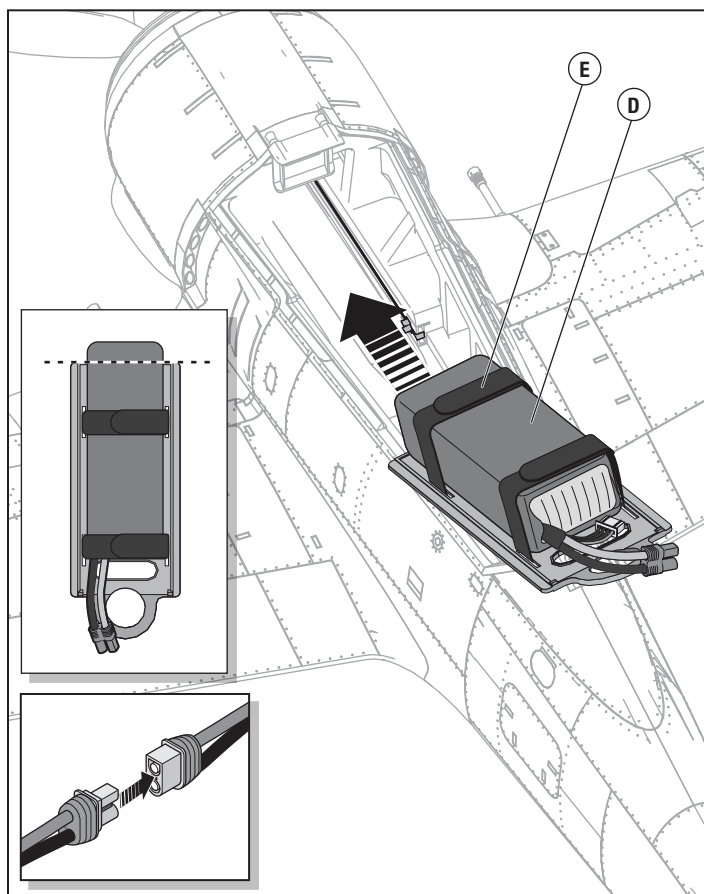
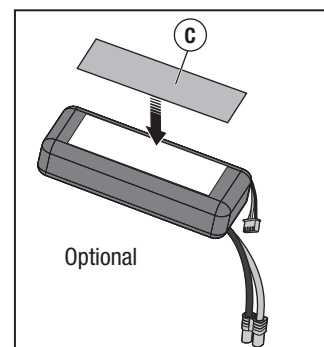
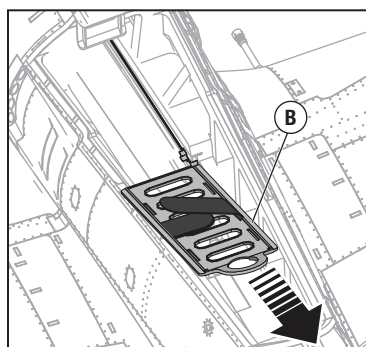
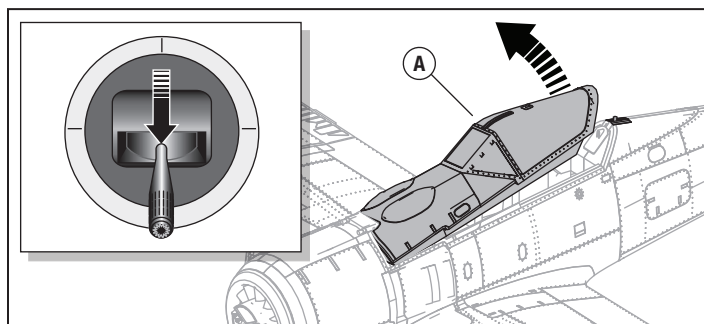
6. Align the battery tray with the tracks in the battery compartment and slide the tray all the way forward until the tray locks.
7. Connect the battery to the ESC (the ESC is now armed).
8. Keep the aircraft immobile and away from wind or the system will not initialize.
 - The ESC will sound a series of tones (refer to step 6 of the binding instructions for more information).
 - An LED will light on the receiver.

If the ESC sounds a continuous double beep after the flight battery is connected, recharge or replace the battery.

9. Reinstall the canopy hatch.

WARNING: Always keep hands away from the propeller. When armed, the motor will turn the propeller in response to any throttle movement.

WARNING: If your transmitter supports it, always engage throttle cut before approaching the aircraft any time a battery is connected.



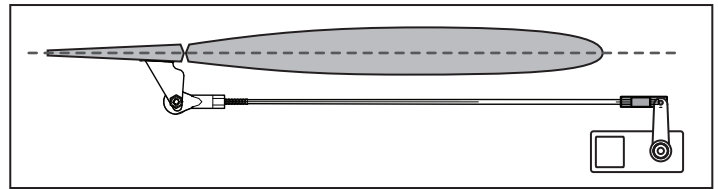
Control Surface Centering and Adjusting a Ball Link

IMPORTANT: Perform the Control Direction Test before performing control surface centering.

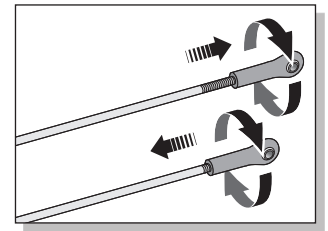
While SAFE is inactive, mechanically center the control surfaces.

IMPORTANT: Correct operation of the SAFE system requires sub-trim and trim at 0.

After binding a transmitter to the airplanes receiver, set the trims and sub-trims to 0, ensure the servo arms are in the correct positions, then adjust the linkages to center the control surfaces.



- Turn the linkage clockwise or counterclockwise until the control surface is centered.
- Attach the linkage to the servo arm or control horn after adjustment



Control Horn and Servo Arm Settings

The table to the right shows the factory settings for the control horns and servo arms. Fly the aircraft at factory settings before making changes.

NOTICE: If control throws are changed from the factory settings, the AR637T gain values may need to be adjusted. Refer to the Spektrum AR637T manual for adjustment of gain values.

After flying, you may choose to adjust the linkage positions for the desired control response. See the table to the right.

	Horns	Arms
Elevator		
Ailerons		
Rudder		Tail Wheel
Flaps		

More control throw	Less control throw

Binding

General Binding Tips

- The included receiver has been specifically programmed for operation of this aircraft. Refer to the receiver manual for correct setup if the receiver is replaced.
- Keep away from large metal objects while binding.
- Do not point the transmitter's antenna directly at the receiver while binding.
- The orange LED on the receiver will flash rapidly when the receiver enters bind mode.
- Once bound, the receiver will retain its bind settings for that transmitter until you re-bind.
- If the receiver loses transmitter communication, the failsafe will activate. Failsafe moves the throttle channel to low throttle. Pitch and roll channels move to actively level the aircraft in flight.
- If problems occur, refer to the troubleshooting guide or if needed, contact the appropriate Horizon Product Support office.

SAFE Select Technology, Optional Flight Envelope Protection

The BNF Basic version of this airplane includes SAFE Select technology, enabling you to choose the level of flight protection. SAFE mode includes angle limits and automatic self leveling. AS3X mode provides a direct response to the control sticks. SAFE Select is enabled or disabled during the bind process.

With SAFE Select disabled the aircraft is always in AS3X mode. With SAFE Select enabled the aircraft will be in SAFE Select mode all the time, or you can assign a switch to toggle between SAFE Select and AS3X modes.

Thanks to SAFE Select technology, this aircraft can be configured for full-time SAFE mode, full-time AS3X mode, or mode selection can be assigned to a switch.

IMPORTANT: Before binding, read the transmitter setup section in this manual and complete the transmitter setup table to ensure your transmitter is properly programmed for this aircraft.

IMPORTANT: Move the transmitter flight controls (rudder, elevators, and ailerons) and the throttle trim to neutral. Move the throttle to low before and during binding.

You can use either the **bind button** on the receiver case **OR** the conventional **bind plug** to complete the binding and SAFE Select process.

When using the auxiliary BEC from an ESC installed in the bind port of the receiver, unplug it to use bind plug.

Using Bind Button SAFE Select Enabled

Lower Throttle → Connect Power → Press and hold Bind Button

Orange Flashing LED → Bind TX to RX → Release Bind Button

SAFE Select Enabled: The control surfaces cycle back and forth **twice** with a slight pause at neutral position every time the receiver is powered on.

Using Bind Plug SAFE Select Enabled

Install Bind Plug → Lower Throttle → Connect Power

Orange Flashing LED → Remove Bind Plug → Bind TX to RX

SAFE Select Enabled: The control surfaces cycle back and forth **twice** with a slight pause at neutral position every time the receiver is powered on.

SAFE Select Disabled

Lower Throttle → Connect Power → Press Bind Button

Orange Flashing LED → Release Bind Button → Bind TX to RX

SAFE Select Disabled: The control surfaces cycle back and forth **once** every time the receiver is powered on.

SAFE Select Disabled

Install Bind Plug → Lower Throttle → Connect Power

Orange Flashing LED → Bind TX to RX → Remove Bind Plug

SAFE Select Disabled: The control surfaces cycle back and forth **once** every time the receiver is powered on.

*Failsafe

If the receiver loses transmitter communication, the failsafe will activate. When activated, failsafe moves the throttle channel to its preset failsafe position (low throttle) that was set during binding. All other channels move collectively and actively to place the aircraft in a slow descending turn.

SAFE® Select Switch Designation

Once SAFE Select is enabled, you can choose to fly in SAFE mode full-time, or assign a switch. Any switch on any channel between 5 and 9 can be used on your transmitter.

TIP: If model has a reversing ESC feature, aux2 is not available for safe select.

If the aircraft is bound with SAFE Select disabled, the aircraft will be in AS3X mode exclusively.

CAUTION: Keep all body parts well clear of the propeller and keep the aircraft securely restrained in case of accidental throttle activation.

IMPORTANT: To be able to assign a switch, first verify:

- The aircraft was bound with SAFE Select enabled.
- Your choice for the SAFE Select switch is assigned to a channel between 5 and 9 (Gear, Aux1-4), and travel is set at 100% in each direction.
- The aileron, elevator, rudder and throttle direction are set to normal, not reverse.
- The aileron, elevator, rudder and throttle are set to 100% travel. If dual rates are in use, the switches need to be in the 100% position.

See your transmitter manual for more information about assigning a switch to a channel.

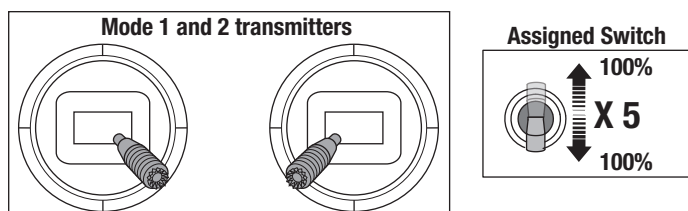
TIP: If a SAFE Select switch is desired for your 6 function aircraft, and you are using a 6 channel transmitter, the SAFE Select switch channel will have to be shared with either channel 5 or 6 of the transmitter. This does not apply to the NX6. Please refer to your NX6 instruction manual for further details.

Assigning a Switch

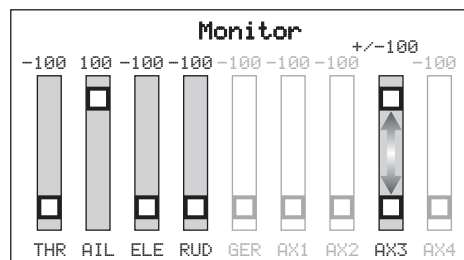
1. Power on the transmitter.
2. Power on the aircraft.
3. Hold both transmitter sticks to the inside bottom corners, and toggle the desired switch 5 times quickly (1 toggle = full up and down).
4. The control surfaces of the aircraft will move, indicating the switch has been selected.

Repeat the process to assign a different switch or to deactivate the current switch.

SAFE Select Switch Assignment Stick Positions



TIP: Use the channel monitor to verify channel movement.



This example of the channel monitor shows the stick positions for assigning a switch, the switch selection on Aux3, and +/- 100% travel on the switch.

Smart Technology™ Telemetry

This aircraft includes Spektrum Smart Technology in the ESC and receiver, which can provide telemetry information like battery voltage and ESC temperature. To take advantage of Smart Technology, you will need a compatible transmitter. A firmware update for your transmitter may be required.

To access all of the available features of Smart Technology, use Spektrum Smart batteries to power this aircraft. In addition to ESC data, Spektrum Smart batteries can communicate detailed battery data through the Smart Technology system.

To View Smart Telemetry:

1. Begin with the transmitter bound to the receiver
2. Power on the transmitter.
3. Power on the aircraft.
4. The Smart Logo appears under the battery logo on the home page. A signal bar appears in the top left corner of the screen.*
5. Scroll past the servo monitor to view Smart technology screens.

* If the transmitter that you intend to use with this aircraft is not displaying telemetry data, visit spektrumrc.com and update your firmware. With the latest firmware installed on your transmitter the telemetry option should now be functional on your transmitter.

For more information about compatible transmitters, firmware updates, and how to use the Smart Technology on your transmitter, visit spektrumrc.com.

ESC Status			
RPM:	0		
Volts:	0.0V		
Motor:	0.0A	0% Output	
Throttle:	0%		
Fet Temp:	0.0C		
BEC:	0.0C	0.0A	0.0V

Control Direction Test

Switch on the transmitter and connect the battery. Use the transmitter to operate the aileron, elevator and rudder controls. View the aircraft from the rear when checking the control directions.

Elevator

1. Pull the elevator stick back. The elevators should move up, which will cause the aircraft to pitch up.
2. Push the elevator stick forward. The elevators should move down, which will cause the aircraft to pitch down.

Ailerons


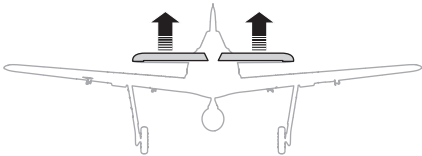

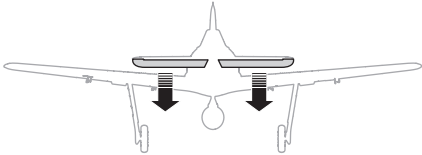
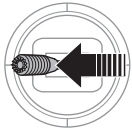

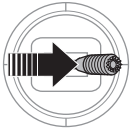

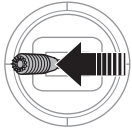
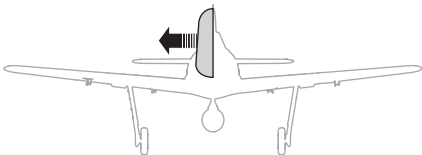
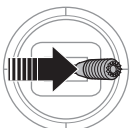
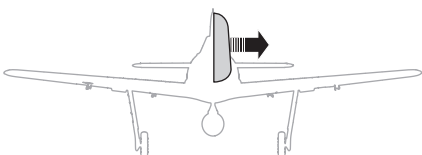
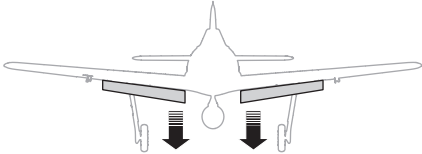
1. Move the aileron stick to the left. The left aileron should move up and the right aileron down, which will cause the aircraft to bank left.
2. Move the aileron stick to the right. The right aileron should move up and the left aileron down, which will cause the aircraft to bank right.

Rudder

1. Move the rudder stick to the left. The rudder should move to the left, which will cause the aircraft to yaw left.
2. Move the rudder stick to the right. The rudder should move to the right, which will cause the aircraft to yaw right.

Flaps

1. Move your flap control switch down to the "half flaps" position.
2. Confirm that the wing flaps move down.
3. Move flap control switch to the "full flaps" position.
4. Confirm the flaps move farther down than in step two.

	Transmitter command	Control Surface Response
Elevator		
		
Aileron		
		
Rudder		
		
Flaps		

AS3X Control Direction Test

This test ensures that the AS3X® control system is functioning properly. Assemble the aircraft and bind your transmitter to the receiver before performing this test.

1. Raise the throttle just above 25%, then lower the throttle to activate AS3X.



CAUTION: Keep all body parts, hair and loose clothing away from a moving propeller, as these items could become entangled.

2. Move the entire aircraft as shown and ensure the control surfaces move in the direction indicated in the graphic. If the control surfaces do not respond as shown, do not fly the aircraft. Refer to the receiver manual for more information.

Once the AS3X system is active, control surfaces may move rapidly. This is normal. AS3X remains active until the battery is disconnected.

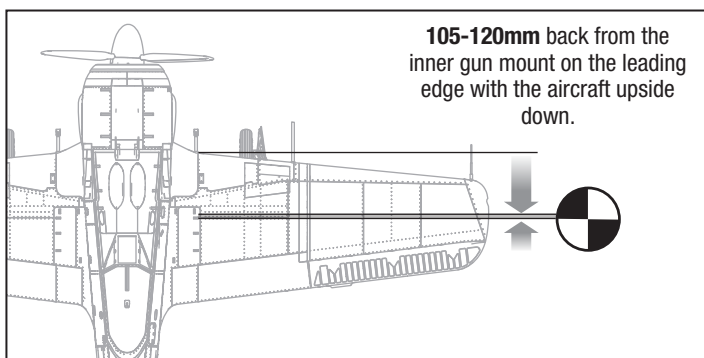
	Aircraft movement	AS3X Reaction
Elevator		
Aileron		
Rudder		

Center of Gravity (CG)

The CG location is measured back from the inner gun mount on the leading edge with the aircraft upside down. This CG location has been determined with the recommended Li-Po battery (SPMX50006S30) installed all the way forward in the battery tray. The battery will overhang the front of the battery tray and be near the back face of the firewall.



CAUTION: Install the battery but do not arm the ESC while checking the CG. Personal injury may result.

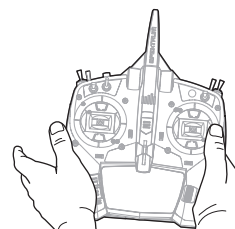


In-Flight Trimming

During your first flight, trim the aircraft for level flight at 3/4 throttle. Make small trim adjustments with your transmitter's trim switches to achieve straight and level flight.

After adjusting trim do not touch the control sticks for 3 seconds. This allows the receiver to learn the correct settings to optimize AS3X performance.

Failure to do so could affect flight performance.



3 Seconds

Flying Tips and Repairs

Consult local laws and ordinances before choosing a flying location.

Range Check your Radio System

Before you fly, range check the radio system. Refer to your specific transmitter instruction manual for range test information.

Oscillation

Once the AS3X system is active (after advancing the throttle for the first time), you will normally see the control surfaces react to aircraft movement. In some flight conditions you may see oscillation (the aircraft rocks back and forth on one axis due to overcontrol). If oscillation occurs, refer to the Troubleshooting Guide for more information.

Takeoff

Place the aircraft facing into the wind. Set your transmitter in low rate and use your flaps switch to drop the flaps to takeoff or "half position". Gradually increase the throttle to $\frac{3}{4}$ and steer with the rudder. **Flaps make takeoffs shorter.** As the tail comes off the ground, pull back gently on the elevator. When airborne, flip your gear switch to raise your landing gear. Climb to a comfortable altitude and then flip your flaps switch to level the flaps.

Flying

For your first flights with the recommended battery pack (SPMX50006S30), set your transmitter timer or a stopwatch to 3 minutes. After three minutes, land the aircraft. Adjust your timer for longer or shorter flights once you have flown the model. If at any time the motor pulses, land the aircraft immediately to recharge the flight battery. See the Low Voltage Cutoff (LVC) section for more details on maximizing battery health and run time.

Landing

Land the aircraft into the wind. Use high rate Elevator for landings. Use a small amount of throttle for the entire descent. Lower the throttle to $\frac{1}{4}$ and flip your flaps switch to deploy the flaps to the landing or "full down position". **Flaps will make the landing approach steeper and slower, and allow for a smoother landing.** Flip your gear switch to lower your landing gear. This will slow the aircraft further.

Keep the throttle on until the aircraft is ready to flare. During flare, keep the wings level and the aircraft pointed into the wind. Gently lower the throttle while pulling back on the elevator to bring the aircraft down on its wheels.

If landing on grass, it is best to hold full up elevator after touchdown and when taxiing to prevent nosing over.

SAFE® Select Flying Tips

When flying in SAFE Select mode the aircraft will return to level flight any time the aileron and elevator controls are at neutral. Applying aileron or elevator control will cause the airplane to bank, climb or dive. The amount the stick is moved will determine the attitude the airplane flies. Holding full control will push the aircraft to the pre-determined bank and roll limits, but it will not go past those angles.

When flying with SAFE Select, it is normal to hold the control stick deflected with moderate aileron input when flying through a turn. To fly smoothly with SAFE Select, avoid making frequent control changes and don't attempt to correct for minor deviations. Holding deliberate control inputs will command the aircraft to fly at a specific angle, and the model will make all corrections to maintain that flight attitude.

When flying with SAFE Select, throttle will make the aircraft climb or descend. Full throttle will cause the aircraft to pitch up and climb slightly. Mid throttle will keep the airplane flying level. Low throttle will cause the airplane to descend slightly nose-down.

Return the elevator and aileron controls to neutral before switching from SAFE Select mode to AS3X mode. If you do not neutralize controls when switching into AS3X mode, the control inputs used for SAFE Select mode will be excessive for AS3X mode and the aircraft will react immediately.

Once on the ground, avoid sharp turns until the plane has slowed enough to prevent scraping the wingtips.



WARNING: Always decrease throttle at propeller strike.

NOTICE: If a crash is imminent, reduce the throttle and trim fully. Failure to do so could result in extra damage to the airframe, as well as damage to the ESC and motor.

NOTICE: After any impact, always ensure the receiver is secure in the fuselage. If you replace the receiver, install the new receiver in the same orientation as the original receiver or damage may result.

NOTICE: Crash damage is not covered under warranty.

NOTICE: When you are finished flying, never leave the aircraft in direct sunlight or in a hot, enclosed area such as a car. Doing so can damage the aircraft.

Low Voltage Cutoff (LVC)

When a Li-Po battery is discharged below 3V per cell, it will not hold a charge. The ESC protects the flight battery from over-discharge using Low Voltage Cutoff (LVC). Before the battery charge decreases too much, LVC removes power supplied to the motor. Power to the motor pulses, showing that some battery power is reserved for flight control and safe landing. Disconnect and remove the Li-Po battery from the aircraft after use to prevent trickle discharge. Charge your Li-Po battery to about half capacity before storage. During storage, make sure the battery charge does not fall below 3V per cell. LVC does not prevent the battery from over-discharge during storage.

NOTICE: Repeated flying to LVC will damage the battery.

Tip: Monitor your aircraft battery's voltage before and after flying by using a Li-Po Cell Voltage Checker (SPMXBC100, sold separately).

Repairs

Thanks to the EPO foam material in this aircraft, repairs to the foam can be made using virtually any adhesive (hot glue, regular CA, epoxy, etc). When parts are not repairable, see the Replacement Parts List for ordering by item number. For a listing of all replacement and optional parts, refer to the list at the end of this manual.

NOTICE: Use of CA accelerant on your aircraft can damage paint. DO NOT handle the aircraft until accelerant fully dries.

Differences between SAFE Select and AS3X modes

This section is generally accurate but does not take into account flight speed, battery charge status, and other limiting factors.

		SAFE Select	AS3X
Control Input	Control stick is neutralized	Aircraft will self level	Aircraft will continue to fly at its present attitude
	Holding a small amount of control	Aircraft will bank or pitch to a moderate angle and maintain the attitude	Aircraft will continue to pitch or roll slowly
	Holding full control	Aircraft will bank or pitch to the predetermined limits and maintain the attitude	Aircraft will continue to roll or pitch rapidly
	Throttle	Full throttle: Climb Neutral: Level flight Low throttle: Descend nose-down	Throttle will not affect flight response.

Post Flight

1	Disconnect the flight battery from the ESC (Required for Safety and battery life).
2	Power OFF the transmitter.
3	Remove the flight battery from the aircraft.
4	Recharge the flight battery.

5	Repair or replace all damaged parts.
6	Store the flight battery apart from the aircraft and monitor the battery charge.
7	Make note of the flight conditions and flight plan results, planning for future flights.

Motor Service

CAUTION: Always disconnect the flight battery before performing motor service.

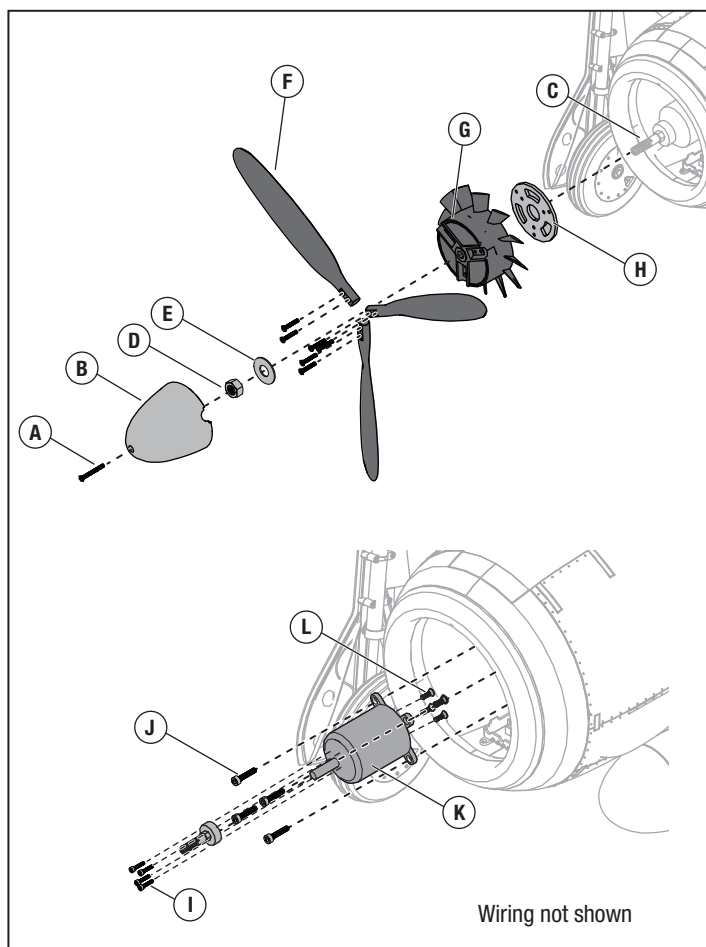
Disassembly

1. Remove the screw (A) and spinner (B) from the prop shaft (C).
2. Remove the prop nut (D) and prop washer (E).
3. Remove the propellers (F), cooling fan (G) backplate (H) from the prop shaft.
4. Remove the 4 screws (I) from the prop shaft and remove from motor shaft.
5. Disconnect the motor wires from the ESC wires.
6. Remove the 4 screws (J) and motor (K) from the motor mount.
7. Remove the 4 screws (L) from the motor to remove the X-mount.

Assembly

Assemble in reverse order.

- Correctly align and connect the motor wire colors with the ESC wires.
- Tighten the prop nut by using a wrench



Troubleshooting Guide AS3X

Problem	Possible Cause	Solution
Oscillation	Damaged propeller or spinner	Replace propeller or spinner
	Imbalanced propeller	Balance the propeller.
	Motor vibration	Replace parts or correctly align all parts and tighten fasteners as needed
	Loose receiver	Align and secure receiver in fuselage
	Loose aircraft controls	Tighten or otherwise secure parts (servo, arm, linkage, horn and control surface)
	Worn parts	Replace worn parts (especially propeller, spinner or servo)
	Irregular servo movement	Replace servo
Inconsistent flight performance	Trim is not at neutral	If you adjust trim more than 8 clicks, adjust the clevis to remove trim
	Sub-Trim is not at neutral	No Sub-Trim is allowed. Adjust the servo linkage
	Aircraft was not kept immobile for 5 seconds after battery connection	With the throttle stick in lowest position. Disconnect battery, then reconnect battery and keep the aircraft still for 5 seconds
Incorrect response to the AS3X Control Direction Test	Incorrect direction settings in the receiver, which can cause a crash	DO NOT fly. Correct the direction settings (refer to the receiver manual), then fly

Troubleshooting Guide

Problem	Possible Cause	Solution
Aircraft will not respond to throttle but responds to other controls	Throttle not at idle and/or throttle trim too high	Reset controls with throttle stick and throttle trim at lowest setting
	Throttle servo travel is lower than 100%	Make sure throttle servo travel is 100% or greater
	Throttle channel is reversed	Reverse throttle channel on transmitter
	Motor disconnected from ESC	Make sure motor is connected to the ESC
Extra propeller noise or extra vibration	Damaged propeller and spinner, collet or motor	Replace damaged parts
	Propeller is out of balance	Balance or replace propeller
	Prop nut is too loose	Tighten the prop nut
Reduced flight time or aircraft underpowered	Flight battery charge is low	Completely recharge flight battery
	Propeller installed backwards	Install propeller with numbers facing forward
	Flight battery damaged	Replace flight battery and follow flight battery instructions
	Flight conditions may be too cold	Make sure battery is warm before use
	Battery capacity too low for flight conditions	Replace battery or use a larger capacity battery
Aircraft will not Bind (during binding) to transmitter	Transmitter too near aircraft during binding process	Move powered transmitter a few feet from aircraft, disconnect and reconnect flight battery to aircraft
	Aircraft or transmitter is too close to large metal object, wireless source or another transmitter	Move aircraft and transmitter to another location and attempt binding again
	The bind plug is not installed correctly in the bind port	Install bind plug in bind port and bind the aircraft to the transmitter
	Flight battery/transmitter battery charge is too low	Replace/recharge batteries
	Bind switch or button not held long enough during bind process	Power off transmitter and repeat bind process. Hold transmitter bind button or switch until receiver is bound
Aircraft will not connect (after binding) to transmitter	Transmitter too near aircraft during connecting process	Move powered transmitter a few feet from aircraft, disconnect and reconnect flight battery to aircraft
	Aircraft or transmitter is too close to large metal object, wireless source or another transmitter	Move aircraft and transmitter to another location and attempt connecting again
	Bind plug left installed in bind port	Rebind transmitter to the aircraft and remove the bind plug before cycling power
	Aircraft bound to different model memory (ModelMatch™ radios only)	Select correct model memory on transmitter
	Flight battery/Transmitter battery charge is too low	Replace/recharge batteries
	Transmitter may have been bound to a different aircraft using different DSM protocol	Bind aircraft to transmitter
Control surface does not move	Control surface, control horn, linkage or servo damage	Replace or repair damaged parts and adjust controls
	Wire damaged or connections loose	Do a check of wires and connections, connect or replace as needed
	Transmitter is not bound correctly or the incorrect airplanes was selected	Re-bind or select correct airplanes in transmitter
	Flight battery charge is low	Fully recharge flight battery
	BEC (Battery Elimination Circuit) of the ESC is damaged	Replace ESC
Controls reversed	Transmitter settings are reversed	Perform the Control Direction Test and adjust the controls on transmitter appropriately
Motor power pulses then motor loses power	ESC uses default soft Low Voltage Cutoff (LVC)	Recharge flight battery or replace battery that is no longer performing
	Weather conditions might be too cold	Postpone flight until weather is warmer
	Battery is old, worn out, or damaged	Replace battery
	Battery C rating might be too small	Use recommended battery

Replacement Parts

Part #	Description
EFL01255	Batt Tray w/Straps: P-51D 1.5m
EFL01351	Canopy w/Pilot; Fw 190A 1.5m
EFL01352	Fuselage Hatch Pin; Fw 190A 1.5m
EFL01353	Fuselage; Fw 190A 1.5m
EFL01354	Horizontal Tail; Fw 190A 1.5m
EFL01355	Horizontal Tail Spar; Fw 190A
EFL01357	Spinner w/Backplate; Fw 190A
EFL01358	Prop Set; Fw 190A 1.5m
EFL01359	Center Main Wing; Fw 190A 1.5m
EFL01360	Right Wing Panel; Fw 190A 1.5m
EFL01361	Left Wing Panel; Fw 190A 1.5m
EFL01362	Screw Set; Fw 190A 1.5m
EFL01363	Main Wheel Set; Fw 190A 1.5m
EFL01364	Retract C-Clips/Pins; Fw 190A
EFL01365	Landing Gear Doors; Fw 190A
EFL01366	Scale Accessories; Fw 190A
EFL01367	Pushrod Set; Fw 190A 1.5m
EFL01368	Servo Covers; Fw 190A 1.5m
EFL01369	Decal Set; Fw 190A 1.5m
EFL01370	Motor Prop Adaptor; Fw 190A
EFL01371	Motor Mount Set; Fw 190A 1.5m
EFL01372	Wing Panel Plugs; Fw 190A 1.5m
EFL01373	Hands Free Plugs; Fw 190A 1.5m
EFL01374	Tailwheel Assembly; Fw 190A
EFL01376	Wheel Axles; Fw 190A 1.5m
EFLG01376	Retract Set; Fw 190A 1.5m
EFLG01377	Retract Strut Pins; Fw 190A 1.5m
EFLG01378	Left Strut Assembly; Fw 190A
EFLG01379	Right Strut Assembly; Fw 190A
EFLG01380	Retract Motor Unit; Fw 190A 1.5m
SPMAR637T	AR637T 6 CH AS3X Telemetry RX
SPMSA430	17g Servo
SPMXAE1100	Avian 100Amp Brushless Smart ESC 6S
SPMXAM1000	4258-460kV 14-Pole BL Motor

Recommended Parts

Part #	Description
SPMR6775	NX6 6 Ch DSMX Transmitter Only
SPMX50006S30	5000mAh 6S 22.2V Smart 30C; IC5
SPMXC1080	Smart S1100 AC Charger, 1x100W
SPMXCA507	Adapter: IC3 Battery/IC5 Device

Optional Parts

Part #	Description
SPMXBC100	Smart Battery Checker
SPM6722	Spektrum Single Aircraft TX Case
SPMXC1000	Smart S1200 DC Charger, 1x200W
SPMXC10201	30A 540W Power Supply
SPMA3032	Spektrum Foam Tape
SPMR8200	NX8 8 Ch DSMX Transmitter Only
SPMR8105	DX8e 8 Ch DSMX Transmitter Only

AMA National Model Aircraft Safety Code

Academy of Model Aeronautics National Model Aircraft Safety Code

Effective January 1, 2018

A model aircraft is a non-human-carrying device capable of sustained flight within visual line of sight of the pilot or spotter(s). It may not exceed limitations of this code and is intended exclusively for sport, recreation, education and/or competition. All model flights must be conducted in accordance with this safety code and related AMA guidelines, any additional rules specific to the flying site, as well as all applicable laws and regulations.

As an AMA member I agree:

- I will not fly a model aircraft in a careless or reckless manner.
- I will not interfere with and will yield the right of way to all human-carrying aircraft using AMA's See and Avoid Guidance and a spotter when appropriate.
- I will not operate any model aircraft while I am under the influence of alcohol or any drug that could adversely affect my ability to safely control the model.
- I will avoid flying directly over unprotected people, moving vehicles, and occupied structures.
- I will fly Free Flight (FF) and Control Line (CL) models in compliance with AMA's safety programming.
- I will maintain visual contact of an RC model aircraft without enhancement other than corrective lenses prescribed to me. When using an advanced flight system, such as an autopilot, or flying First-Person View (FPV), I will comply with AMA's Advanced Flight System programming.
- I will only fly models weighing more than 55 pounds, including fuel, if certified through AMA's Large Model Airplane Program.
- I will only fly a turbine-powered model aircraft in compliance with AMA's Gas Turbine Program.
- I will not fly a powered model outdoors closer than 25 feet to any individual, except for myself or my helper(s) located at the flightline, unless I am taking off and landing, or as otherwise provided in AMA's Competition Regulation.
- I will use an established safety line to separate all model aircraft operations from spectators and bystanders.

Limited Warranty

What this Warranty Covers – Horizon Hobby, LLC, (Horizon) warrants to the original purchaser that the product purchased (the "Product") will be free from defects in materials and workmanship at the date of purchase.

What is Not Covered – This warranty is not transferable and does not cover (i) cosmetic damage, (ii) damage due to acts of God, accident, misuse, abuse, negligence, commercial use, or due to improper use, installation, operation or maintenance, (iii) modification of or to any part of the Product, (iv) attempted service by anyone other than a Horizon Hobby authorized service center, (v) Product not purchased from an authorized Horizon dealer, or (vi) Product not compliant with applicable technical regulations, or (vii) use that violates any applicable laws, rules, or regulations.

OTHER THAN THE EXPRESS WARRANTY ABOVE, HORIZON MAKES NO OTHER WARRANTY OR REPRESENTATION, AND HEREBY DISCLAIMS ANY AND ALL IMPLIED WARRANTIES, INCLUDING, WITHOUT LIMITATION, THE IMPLIED WARRANTIES OF NON-INFRINGEMENT, MERCHANTABILITY AND FITNESS FOR A PARTICULAR PURPOSE. THE PURCHASER ACKNOWLEDGES THAT THEY ALONE HAVE DETERMINED THAT THE PRODUCT WILL SUITABLY MEET THE REQUIREMENTS OF THE PURCHASER'S INTENDED USE.

Purchaser's Remedy – Horizon's sole obligation and purchaser's sole and exclusive remedy shall be that Horizon will, at its option, either (i) service, or (ii) replace, any Product determined by Horizon to be defective. Horizon reserves the right to inspect any and all Product(s) involved in a warranty claim. Service or replacement decisions are at the sole discretion of Horizon. Proof of purchase is required for all warranty claims. SERVICE OR REPLACEMENT AS PROVIDED UNDER THIS WARRANTY IS THE PURCHASER'S SOLE AND EXCLUSIVE REMEDY.

Limitation of Liability – HORIZON SHALL NOT BE LIABLE FOR SPECIAL, INDIRECT, INCIDENTAL OR CONSEQUENTIAL DAMAGES, LOSS OF PROFITS OR PRODUCTION OR COMMERCIAL LOSS IN ANY WAY, REGARDLESS OF WHETHER SUCH CLAIM IS BASED IN CONTRACT, WARRANTY, TORT, NEGLIGENCE, STRICT LIABILITY OR ANY OTHER THEORY OF LIABILITY, EVEN IF HORIZON HAS BEEN ADVISED OF THE POSSIBILITY OF SUCH DAMAGES. Further, in no event shall the liability of Horizon exceed the individual price of the Product on which liability is asserted. As Horizon has no control over use, setup, final assembly, modification or misuse, no liability shall be assumed nor accepted for any resulting damage or injury. By the act of use, setup or assembly, the user accepts all resulting liability. If you as the purchaser or user are not prepared to accept the liability associated with the use of the Product, purchaser is advised to return the Product immediately in new and unused condition to the place of purchase.

Law – These terms are governed by Illinois law (without regard to conflict of law principals). This warranty gives you specific legal rights, and you may also have other rights which vary from state to state. Horizon reserves the right to change or modify this warranty at any time without notice.

WARRANTY SERVICES

Questions, Assistance, and Services – Your local hobby store and/or place of purchase cannot provide warranty support or service. Once assembly, setup or use of the Product has been started, you must contact your local distributor or Horizon directly. This will enable Horizon to better answer your questions and service you in

the event that you may need any assistance. For questions or assistance, please visit our website at www.horizonhobby.com, submit a Product Support Inquiry, or call the toll free telephone number referenced in the Warranty and Service Contact Information section to speak with a Product Support representative.

Inspection or Services – If this Product needs to be inspected or serviced and is compliant in the country you live and use the Product in, please use the Horizon Online Service Request submission process found on our website or call Horizon to obtain a Return Merchandise Authorization (RMA) number. Pack the Product securely using a shipping carton. Please note that original boxes may be included, but are not designed to withstand the rigors of shipping without additional protection. Ship via a carrier that provides tracking and insurance for lost or damaged parcels, as Horizon is not responsible for merchandise until it arrives and is accepted at our facility. An Online Service Request is available at http://www.horizonhobby.com/content/service-center_render-service-center. If you do not have internet access, please contact Horizon Product Support to obtain a RMA number along with instructions for submitting your product for service. When calling Horizon, you will be asked to provide your complete name, street address, email address and phone number where you can be reached during business hours. When sending product into Horizon, please include your RMA number, a list of the included items, and a brief summary of the problem. A copy of your original sales receipt must be included for warranty consideration. Be sure your name, address, and RMA number are clearly written on the outside of the shipping carton.

NOTICE: Do not ship LiPo batteries to Horizon. If you have any issue with a LiPo battery, please contact the appropriate Horizon Product Support office.

Warranty Requirements – For Warranty consideration, you must include your original sales receipt verifying the proof-of-purchase date. Provided warranty conditions have been met, your Product will be serviced or replaced free of charge. Service or replacement decisions are at the sole discretion of Horizon.

Non-Warranty Service – Should your service not be covered by warranty, service will be completed and payment will be required without notification or estimate of the expense unless the expense exceeds 50% of the retail purchase cost. By submitting the item for service you are agreeing to payment of the service without notification. Service estimates are available upon request. You must include this request with your item submitted for service. Non-warranty service estimates will be billed a minimum of ½ hour of labor. In addition you will be billed for return freight. Horizon accepts money orders and cashier's checks, as well as Visa, MasterCard, American Express, and Discover cards. By submitting any item to Horizon for service, you are agreeing to Horizon's Terms and Conditions found on our website http://www.horizonhobby.com/content/service-center_render-service-center.

ATTENTION: Horizon service is limited to Product compliant in the country of use and ownership. If received, a non-compliant Product will not be serviced. Further, the sender will be responsible for arranging return shipment of the un-serviced Product, through a carrier of the sender's choice and at the sender's expense. Horizon will hold non-compliant Product for a period of 60 days from notification, after which it will be discarded.

10/2015

Contact Information

Country of Purchase	Horizon Hobby	Phone Number/Email Address	Address
United States of America	Horizon Service Center (Repairs and Repair Requests)	servicecenter.horizonhobby.com/ RequestForm/	2904 Research Rd Champaign, Illinois, 61822 USA
	Horizon Product Support (Product Technical Assistance)	productsupport@horizonhobby.com 877-504-0233	
	Sales	websales@horizonhobby.com 800-338-4639	
European Union	Horizon Technischer Service Sales: Horizon Hobby GmbH	service@horizonhobby.eu +49 (0) 4121 2655 100	Hanskampring 9 D 22885 Barsbüttel, Germany

FCC Information

FCC ID: BRWTIARLGTNG1

Supplier's Declaration of Conformity

EFL FW 190A 1.5m BNF Basic and PNP (EFL01375 and EFL01350)

FC This device complies with part 15 of the FCC Rules. Operation is subject to the following two conditions: (1) This device may not cause harmful interference, and (2) this device must accept any interference received, including interference that may cause undesired operation.



CAUTION: Changes or modifications not expressly approved by the party responsible for compliance could void the user's authority to operate the equipment.

NOTE: This equipment has been tested and found to comply with the limits for a Class B digital device, pursuant to part 15 of the FCC Rules. These limits are designed to provide reasonable protection against harmful interference in a residential installation. This equipment generates, uses and can radiate radio frequency energy and, if not installed and used in accordance with the instructions, may cause harmful interference to radio communications. However, there is no guarantee that interference will not occur in a particular

installation. If this equipment does cause harmful interference to radio or television reception, which can be determined by turning the equipment off and on, the user is encouraged to try to correct the interference by one or more of the following measures:

- Reorient or relocate the receiving antenna.
- Increase the separation between the equipment and receiver.
- Connect the equipment into an outlet on a circuit different from that to which the receiver is connected.
- Consult the dealer or an experienced radio/TV technician for help.

Horizon Hobby, LLC
2904 Research Rd.,
Champaign, IL 61822
Email: compliance@horizonhobby.com
Web: HorizonHobby.com

IC Information

CAN ICES-3 (B)/NMB-3(B)

IC: 6157A-TIARLGTNG1

This device contains license-exempt transmitter(s)/receivers(s) that comply with Innovation, Science, and Economic Development Canada's license-exempt RSS(s). Operation is subject to the following 2 conditions:

1. This device may not cause interference.
2. This device must accept any interference, including interference that may cause undesired operation of the device.

Compliance Information for the European Union

EU Compliance Statement:

EFL FW 190A 1.5m BNF Basic (EFL01350); Hereby, Horizon Hobby, LLC declares that the device is in compliance with the following: EU Radio Equipment Directive 2014/53/EU, RoHS 2 Directive 2011/65/EU, RoHS 3 Directive - Amending 2011/65/EU Annex II 2015/863

EFL FW 190A 1.5m PNP (EFL01375); Hereby, Horizon Hobby, LLC declares that the device is in compliance with the following: EU EMC Directive 2014/30/EU, RoHS 2 Directive 2011/65/EU, RoHS 3 Directive - Amending 2011/65/EU Annex II 2015/863

The full text of the EU declaration of conformity is available at the following internet address: <https://www.horizonhobby.com/content/support-render-compliance>.

Wireless Frequency Range and Wireless Output Power:

2402 – 2478 MHz
20dBm

WEEE NOTICE:



This appliance is labeled in accordance with European Directive 2012/19/EU concerning waste of electrical and electronic equipment (WEEE). This label indicates that this product should not be disposed of with household waste. It should be deposited at an appropriate facility to enable recovery and recycling.

EU Manufacturer of Record:

Horizon Hobby, LLC
2904 Research Road
Champaign, IL 61822 USA

EU Importer of Record:

Horizon Hobby, GmbH
Hanskampring 9
22885 Barsbüttel Germany

Australia/New Zealand:



E328

HINWEIS

Alle Anweisungen, Garantien und andere Begleitdokumente können von Horizon Hobby, LLC nach eigenem Ermessen geändert werden. Um aktuelle Produktinformationen zu erhalten, besuchen Sie <http://www.horizonhobby.com> oder towerhobbies.com und klicken Sie auf die Registerkarte Support oder Ressourcen für dieses Produkt.

BEGRIFFSERKLÄRUNG:

Die folgenden Begriffe werden in der gesamten Produktliteratur verwendet, um die Gefährdungsstufen im Umgang mit dem Produkt zu definieren:

WARNUNG: Verfahren, die bei nicht ordnungsgemäßer Durchführung womöglich Schäden an Eigentum, Kollateralschäden und schwere Verletzungen ODER höchstwahrscheinlich oberflächliche Verletzungen verursachen können.

ACHTUNG: Verfahren, die bei nicht ordnungsgemäßer Durchführung womöglich Schäden an physischem Eigentum UND schwere Verletzungen verursachen können.

HINWEIS: Verfahren, die bei nicht ordnungsgemäßer Durchführung womöglich Schäden an physischem Eigentum UND geringfügige oder keine Verletzungen verursachen können.

 **WARNUNG:** Lesen Sie die GESAMTE Bedienungsanleitung, um sich vor Inbetriebnahme mit den Funktionen des Produkts vertraut zu machen. Eine nicht ordnungsgemäße Bedienung des Produkts kann das Produkt und persönliches Eigentum schädigen und schwere Verletzungen verursachen.

Dies ist ein hoch entwickeltes Produkt für den Hobbygebrauch. Es muss mit Vorsicht und Umsicht bedient werden und erfordert einige mechanische Grundfertigkeiten. Wird das Produkt nicht sicher und umsichtig verwendet, so könnten Verletzungen oder Schäden am Produkt oder anderem Eigentum entstehen. Dieses Produkt ist nicht für den Gebrauch durch Kinder ohne direkte Aufsicht eines Erwachsenen vorgesehen. Versuchen Sie nicht, das Produkt ohne Zustimmung von Horizon Hobby, LLC zu zerlegen, mit nicht kompatiblen Komponenten zu verwenden oder beliebig zu verbessern. Dieses Handbuch enthält Sicherheitshinweise sowie Anleitungen zu Betrieb und Wartung. Es ist unerlässlich, dass Sie alle Anleitungen und Warnungen in diesem Handbuch vor dem Zusammenbau, der Einrichtung oder der Inbetriebnahme lesen und diese befolgen, um eine korrekte Bedienung zu gewährleisten und Schäden bzw. schwere Verletzungen zu vermeiden.

14+ ALTERSEMPFEHLUNG: Nicht für Kinder unter 14 Jahren. Dies ist kein Spielzeug.

Sicherheitsmaßnahmen und Warnungen

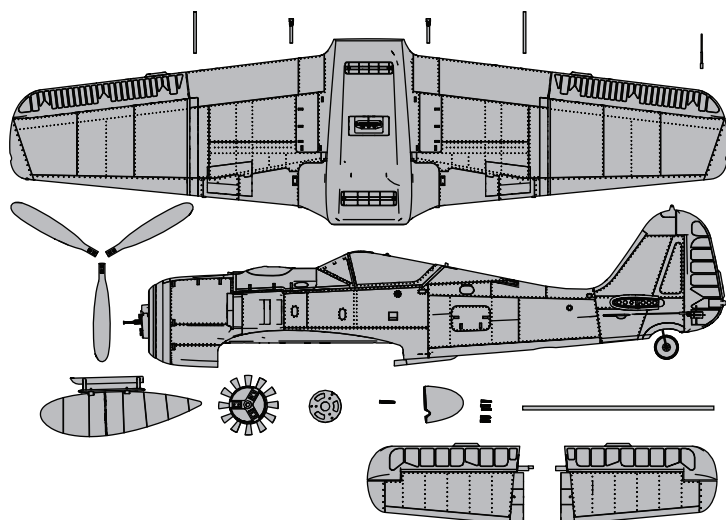
Als Benutzer dieses Produkts sind ausschließlich Sie für einen Betrieb verantwortlich, der weder Sie selbst noch andere gefährdet, bzw. der weder das Produkt noch Eigentum anderer beschädigt.

- Halten Sie stets in alle Richtungen einen Sicherheitsabstand zu Ihrem Modell ein, um Kollisionen und Verletzungen zu vermeiden. Dieses Modell wird über ein Funksignal gesteuert. Funksignale können von außerhalb gestört werden, ohne dass Sie darauf Einfluss nehmen können. Störungen können zu einem vorübergehenden Verlust der Steuerungskontrolle führen.
- Betreiben Sie Ihr Modell stets auf offenen Geländen, weit ab von Autos, Verkehr und Menschen.
- Befolgen Sie die Anweisungen und Warnungen für dieses Produkt und jedwedes optionales Zubehörteil (Ladegeräte, wieder aufladbare Akkus etc.) stets sorgfältig.
- Halten Sie sämtliche Chemikalien, Kleinteile und elektrische Komponenten stets außer Reichweite von Kindern.
- Vermeiden Sie den Wasserkontakt aller Komponenten, die nicht speziell dafür ausgelegt und entsprechend geschützt sind. Feuchtigkeit beschädigt die Elektronik.
- Nehmen Sie niemals ein Element des Modells in Ihren Mund, da dies zu schweren Verletzungen oder sogar zum Tod führen könnte.
- Betreiben Sie Ihr Modell niemals mit schwachen Senderbatterien.
- Behalten Sie das Modell stets im Blick und unter Kontrolle.
- Verwenden Sie nur vollständig aufgeladene Akkus.
- Behalten Sie den Sender stets eingeschaltet, wenn das Modell eingeschaltet ist.
- Entfernen Sie stets den Akku, bevor Sie das Modell auseinandernehmen.
- Halten Sie bewegliche Teile stets sauber.
- Halten Sie die Teile stets trocken.
- Lassen Sie die Teile stets auskühlen, bevor Sie sie berühren.
- Entfernen Sie nach Gebrauch stets den Akku.
- Stellen Sie immer sicher, dass der Failsafe vor dem Flug ordnungsgemäß eingestellt ist.
- Betreiben Sie das Modell niemals bei beschädigter Verkabelung.
- Berühren Sie niemals sich bewegende Teile.

 **WARNUNG VOR GEFÄLSCHTEN PRODUKTEN:** Sollten Sie jemals eine Spektrum Komponente ersetzen wollen, kaufen Sie die benötigten Ersatzteile immer bei Horizon Hobby oder einem von Horizon Hobby autorisierten Händler, um sicherzugehen, dass Sie beste Spektrum Qualität erhalten. Horizon Hobby, LLC lehnt jedwede Haftung, Garantie und Serviceleistung in Bezug auf, aber nicht ausschließlich für, Kompatibilitäts- und Leistungsansprüche von gefälschten Produkten oder Produkten, die angeben mit DSM oder Spektrum kompatibel zu sein, ab.

Lieferumfang

Schnellstartanleitung			
Sender-konfiguration	1. Leeres (Acro-) Modell		
	2. Umkehren der Servolaufrichtung: Alles auf normal setzen		
	3. Wegverstellung (Alle Oberflächen): 100 %		
Duale Geschwindigkeit*	Querruder	High Rate	Low Rate
		▲ = 13mm ▼ = 13mm	▲ = 10mm ▼ = 10mm
	Höhenruder	▲ = 10mm ▼ = 7mm	▲ = 7mm ▼ = 5mm
		Seitenruder	▶ = 25mm ◀ = 25mm
Klappen	Hälfte (Abheben)	Voll (Landen)	
	▼ = 15 mm	▼ = 30mm	
Höhenruder zur Klappe mischen		8% Höhenruder runter	15% Höhenruder runter
Exponential (Soft center)		High Rate	Low Rate
	Querruder	10%	5%
	Höhenruder	10%	5%
	Seitenruder	10%	5%
Schwerpunkt (CG)	105-120 mm Abstand von der inneren Kanonenhalterung an der Vorderkante, dabei das Fluggerät auf den Kopf drehen.		
Einstellung Flug-Timer	Für den Erstflug stellen Sie den Timer auf 3 Minuten ein. Stellen Sie die Zeit je nach Batteriezustand und Flugstil ein.		

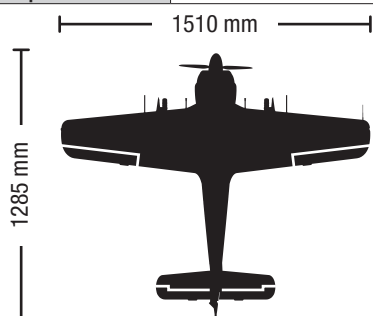


Spezifikationen

	BNF[®] BASIC	PNP PLUG-N-PLAY
Motor: 4258-460kV BL Motor (SPMXAM1000)	Inklusive	Inklusive
Geschwindigkeitsregler: Smart 100-A-Geschwindigkeitsregler 6S(SPMXAE1100)	Montiert	Montiert
Servos: Querruder: (2) Spektrum A430; 150mm Leitung Höhenruder: (1) Spektrum A430; 150mm Leitung Seitenruder: (1) Spektrum A430; 150mm Leitung Klappen: (2) Spektrum A430; 330mm Leitung	Montiert	Montiert
Empfänger: Spektrum™ AR637TA AS3X/SAFE-Telemetrieempfänger mit 6 Kanälen (SPMAR637T)	Montiert	Extra erhältlich
Empfohlener Akku: 5000mAh 6S 22.2V Smart 30C IC5 LiPo (SPMX50006S30)	Extra erhältlich	Extra erhältlich
Empfohlenes Ladegerät: 6 zelliges LiPo-Akkuausgleichsladegerät	Extra erhältlich	Extra erhältlich
Empfohlener Sender: Kompletter 2,4 GHz mit Spektrum DSM2/ DSMX-Technologie mit programmierbarem Mischer und einstellbaren dualen Geschwindigkeiten	Extra erhältlich	Extra erhältlich

INFORMATIONEN ZUM BINDEN DES EMPFÄNGERS

Kanäle	6
Frequenz	2402-2478 MHz
Kompatibilität	DSM2 und DSMX



6.5lbs. ohne Akku
(2943 g)

3625 g (7,9lbs) mit
6S 5000mAh 30C
batterie

Inhaltsverzeichnis

Vor dem Fliegen.....	24
Transmitter Setup	24
Montage des Modells.....	25
PNP Receiver Selection and Installation	28
Battery Installation and ESC Arming	29
Zentrieren der Ruder und Einstellen des Gestänges	30
Einstellungen der Ruderhörner und Servoarme	30
Binden	31
Schalterbelegung von SAFE [®] Select	32
SMART Technology™ Telemetrie	32
Steuerrichtungstests.....	33
AS3X Kontrolltest	34
Der Schwerpunkt (CG)	34
Trimmung während des Fluges	34
Tipps zum Fliegen und Reparieren	35
Tipps für das Fliegen mit SAFE [®] Select	35
Checkliste nach dem Flug.....	36
Motorwartung	36
Leitfaden zur Problemlösung AS3X.....	36
Leitfaden zur Problemlösung.....	37
Ersatzteile.....	38
Empfohlene Teile	38
Optionale Teile	38
Garantie einschränkungen	39
Kontakt Informationen.....	40
Konformitätshinweise für die Europäische Union.....	40

Vor dem Fliegen

1	Entnehmen und überprüfen Sie den Lieferumfang.
2	Lesen Sie bitte diese Anleitung sorgfältig.
3	Laden Sie den Flugakku.
4	Programmieren Sie den Sender nach der Tabelle.
5	Montieren Sie das Flugzeug.
6	Setzen Sie einen vollständig geladenen Flugakku ein.
7	Prüfen Sie den Schwerpunkt (CG).
8	Binden Sie das Flugzeug an den Sender.

9	Stellen Sie sicher, dass die Anlenkungen und Gestänge frei laufen.
10	Führen Sie mit dem Sender einen Steuerrichtungstest durch.
11	Führen Sie einen AS3X Kontrolltest durch.
12	Justieren Sie die Flugkontrollen und den Sender.
13	Führen Sie einen Reichweitentest durch.
14	Suchen Sie sich ein geeignetes Fluggelände.
15	Planen Sie ihren Flug nach Flugfeldbedingungen.

Transmitter Setup

WICHTIG: Sie müssen nach der Programmierung ihres Modell den Sender noch einmal an den Empfänger binden damit die gewünschten Failsafepositionen übernommen werden.

WICHTIG: Der mitgelieferte Sender wurde speziell für den Betrieb in diesem Fluggerät programmiert.

Wenn Ihr Sender es zulässt, aktivieren Sie die Gasabschaltungsfunktion. Aktivieren Sie immer die Gasabschaltung, bevor Sie sich dem Flugzeug nähern.

Dual Rate

Führen Sie die ersten Flüge mit den kleinen Ruderausschlägen (Low Rate) durch.

HINWEIS: Um sicherzustellen, dass das AS3X einwandfrei funktioniert dürfen Sie die Dual Rate Einstellungen nicht unter 50% stellen. Sollten Sie kleinere Ausschläge wünschen justieren Sie die Position der Gestänge manuell.

HINWEIS: Sollten bei hohen Geschwindigkeiten Schwingungen auftreten lesen Sie bitte in dem Leitfaden zur Problemlösung nach.

Exponential

Stellen Sie den Expowert nach den ersten Flügen am Sender.

Computergestützte Senderkonfiguration

(DX6e[‡], DX6[‡], DX7, DX7S, DX8, DX8e, DX9, DX10t, DX18, DX20, iX12, iX20 NX6, NX8, und NX10)

Die gesamte Senderprogrammierung mit einem leeren ACRO-Modell (eine Zurücksetzung des Modells durchführen) beginnen, dann das Modell benennen.	
Stellen Sie die Werte für Querruder, Höhenruder und Ruder wie folgt ein:	HOCH 100 % NIEDRIG 70 %
Servoverschiebung einstellen auf	100%
Stellen Sie Drosselschnitt auf ein	-100%
DXe	Siehe spektrumrc.com zur entsprechenden Downloadeinrichtung.
DX7S DX8	1. SYSTEMKONFIGURATION (SYSTEM SETUP) einstellen
	2. MODELLTYP (MODEL TYPE) einstellen: FLUGZEUG
	3. FLÜGELTYP (WING TYPE) einstellen: 1 QUERRUDER 1 KLAPPE (1 AIL 1 FLAP)
	4. Die FUNKTIONSLISTE (FUNCTION LIST) aufrufen
DX6e[‡] DX6 (Gen2)[‡] DX7 (Gen2) DX8 (Gen2) DX8e DX9 DX10t DX18 DX20 iX12[†] iX20[†] NX6 NX8 NX10	5. KLAPPENSYSTEM (FLAP SYSTEM) einstellen: Klappe wählen NORM: -100% KLAPPE (FLAP) MITTE (MID): +20% KLAPPE (FLAP) LANDUNG (LAND): 1 +100% (KLAPPE) (FLAP) GESCHWINDIGKEIT (SPEED) 2,0 s: SCHALTER (SWITCH) = KLAPPE (FLAP)
	1. SYSTEMKONFIGURATION (SYSTEM SETUP) einstellen
	2. MODELLTYP (MODEL TYPE) einstellen: FLUGZEUG
	3. FLUGZEUGTYP (AIRCRAFT TYPE) einstellen: FLÜGEL (WING): 1 QUERRUDER 1 KLAPPE (1 AIL 1 FLAP)
	4. Die FUNKTIONSLISTE (FUNCTION LIST) aufrufen
5. KLAPPENSYSTEM (FLAP SYSTEM) einstellen: WAHLSCHALTER (SELECT SWITCH) D: POS 0: -100% KLAPPE (FLAP) POS 1: +20% KLAPPE (FLAP) POS 2: +100% KLAPPE (FLAP) GESCHWINDIGKEIT (SPEED) 2,0	

[†] Einige der in der iX12-Programmierung verwendeten Begriffe und Funktionspositionen können sich leicht von anderen Spektrum AirWare™ Funksystemen unterscheiden. Die in der Paranthese angegebenen Namen entsprechen der iX12-Programmierungsterminologie. Für spezifische Informationen zur Programmierung Ihres Senders Ihre Sender-Betriebsanleitung konsultieren.

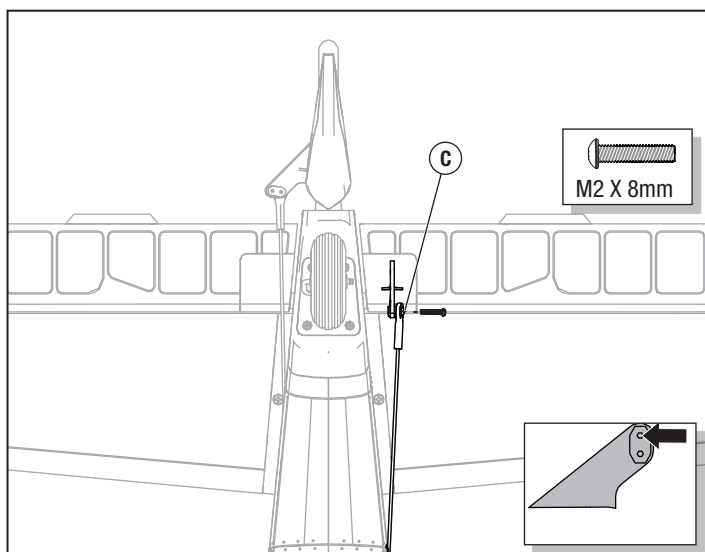
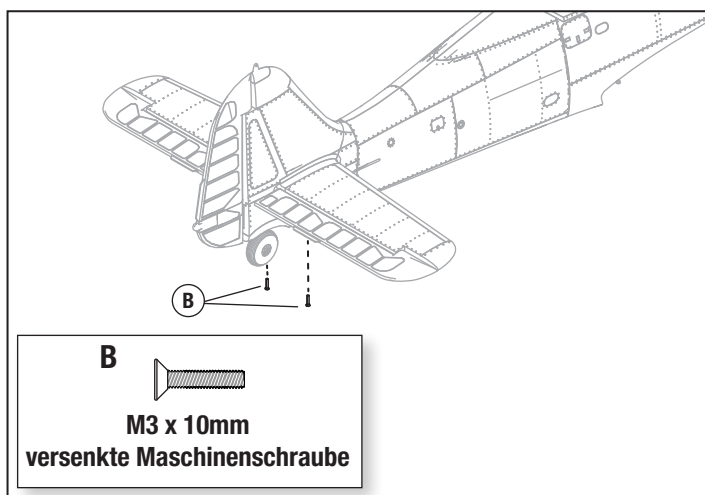
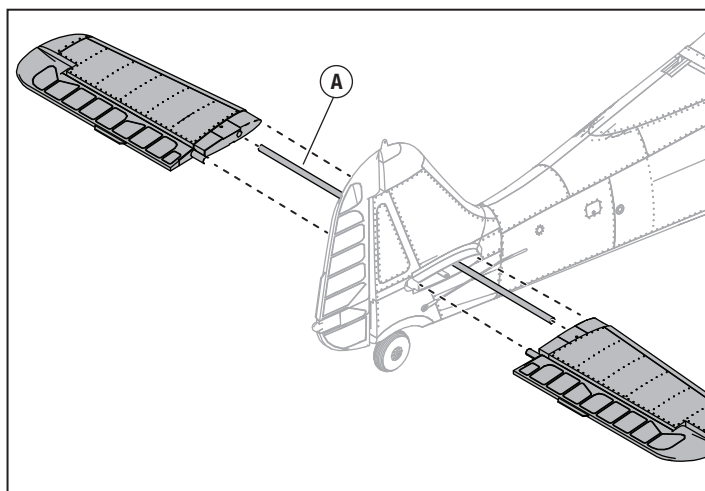
[‡] Die oben angegebenen Einstellungen für den DX6 und DX6e erlauben keine Verwendung eines SAFE Select-Schalters. Zur Verwendung eines SAFE Select-Schalters bei diesen Systemen bitte den folgenden Abschnitt für Informationen zur Einrichtung und zum Betrieb des Senders lesen.

Montage des Modells

Montage des horizontalen Stabilisators

1. Das Rohr des Höhenleitwerks (A) in das Loch im hinteren Rumpf schieben.
2. Das 2-teilige (rechte und linke) Höhenleitwerk laut Abbildung montieren. Sicherstellen, dass das Steuerhorn nach unten weist.
3. Befestigen Sie das 2-teilige horizontale Leitwerk mit 2 mitgelieferten Schrauben (M3 x 10 mm) (B).
4. Befestigen Sie das Kugelgelenk(C) mit der mitgelieferten Schraube (M2 x 8 mm) an der äußersten Bohrung des Höhenrudersteuerungshorns. Ziehen Sie Mutter und Schraube mit einem 2-mm-Sechskantschlüssel an.

Das Zerlegen erfolgt in der umgekehrten Reihenfolge.



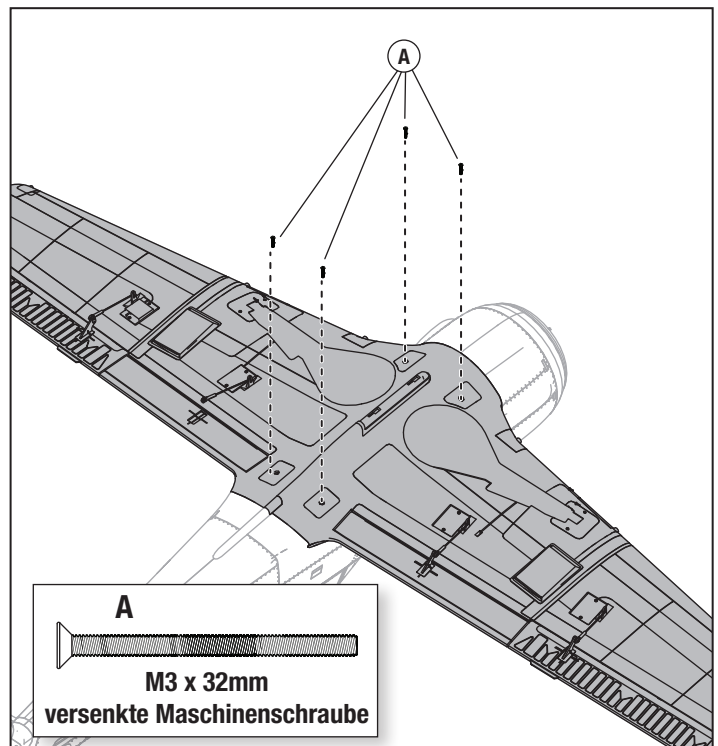
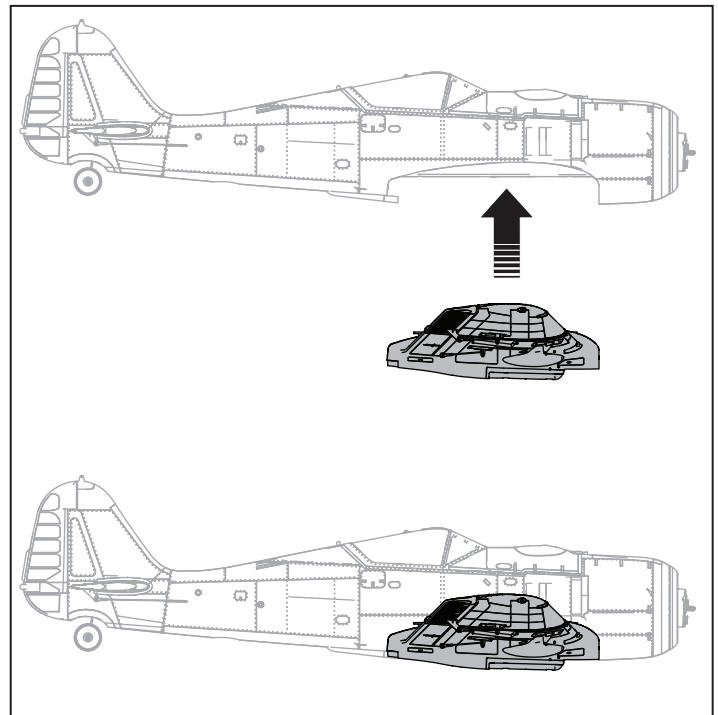
Schrauben-Tabelle		
Location [Standort]	Größe	Anzahl Schrauben
Höhenruder-Kugelgelenkspindel	M2 x 8mm	1
Tragflächenschraube	M3 x 32mm	4
Höhenleitwerkschrauben	M3 x 10mm	2
Spinnerschraube:	M3 x 32mm	1
Propellerschrauben	M3 x 16mm	6
Spornradbefestigungsschrauben	2,0 x 8	4
Schrauben für Freihandservo-Stecker	2,0 x 8	8
Servo-Abdeckungsschrauben	2,0 x 8	8
Fahrwerkstürabdeckungsschrauben (innen)	2,0 x 12	16
Fahrwerkstürabdeckungsschrauben (außen)	2,0 x 6	2
Montageschrauben einziehbares Fahrwerk	2,0 x 8	4
Radachsen-Nabenschrauben	4,0 x 25	2
Befestigungsschrauben einziehbarer Motor	3,0 x 16	8
Tragflächensteckerschrauben	2,0 x 8	16
X Montageschrauben	3,0 x 16	4
Motorbefestigungsschrauben	4,0 x 10	4
Kugelgelenk-Gabelschrauben	2,0 x 8	6

Montage des Modells; *Fortsetzung*

Montage der Tragfläche

1. Die handfreie Servoverbindung ausrichten und die Tragfläche in die Tragflächenauflage drücken.
2. Die Tragfläche mit den 4 mitgelieferten Schrauben (M3 x 32 mm) (A) in ihrer Position sichern. Die Schraube mit einem 2mm Sechskant festziehen.

Das Zerlegen erfolgt in der umgekehrten Reihenfolge.



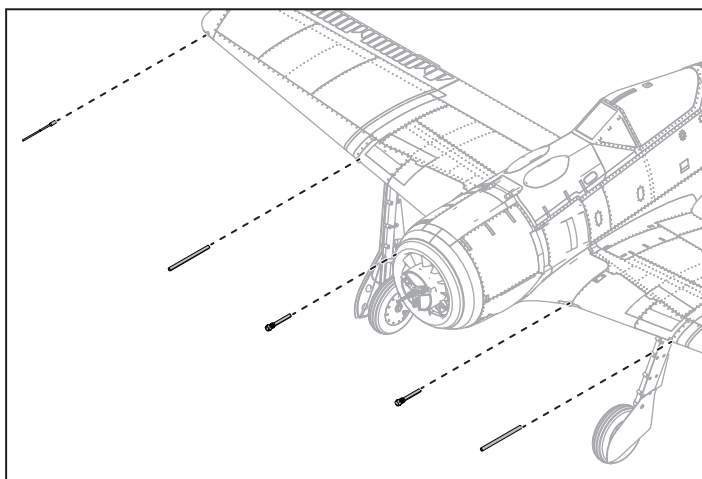
Fortsetzung →

Montage des Modells; Fortsetzung

Installation von Kanonen, Geschützen und Staurohren

1. Installieren Sie die Kanonen, Geschütze und das Staurohr an der Tragfläche, indem Sie sie wie abgebildet in ihre Positionen schrauben.

Das Zerlegen erfolgt in der umgekehrten Reihenfolge.

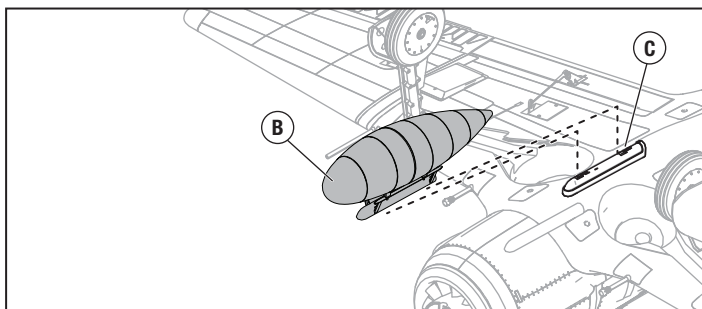
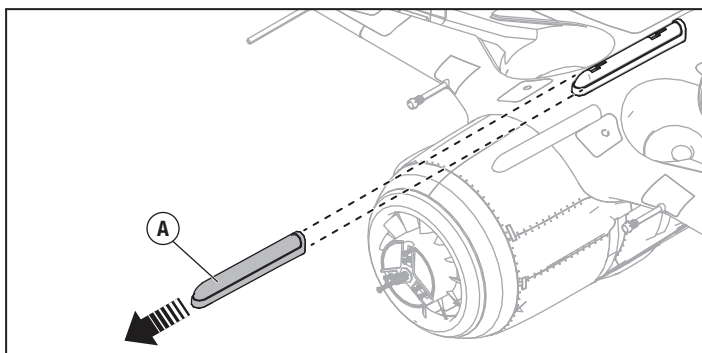


Montage des optionalen Abwurfanks

1. Entfernen Sie die Abdeckung (A) der Abwurfankhalterung von der Halterung, indem Sie die Abdeckung nach vorne schieben.
2. Schieben Sie den optionalen Abwurfank (B) in die Schiene (C) an der Unterseite des Rumpfes.

Prüfen Sie nach Montieren des Abwurfanks den Schwerpunkt. Zu weiteren Informationen siehe Anweisungen zur Einstellung des Schwerpunktes.

Das Zerlegen erfolgt in der umgekehrten Reihenfolge.



Montage der Propeller

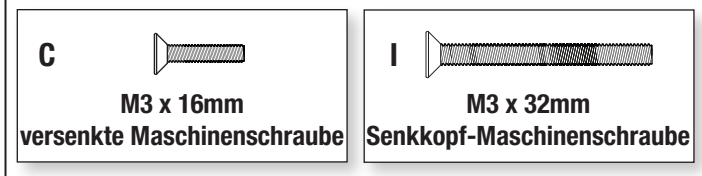
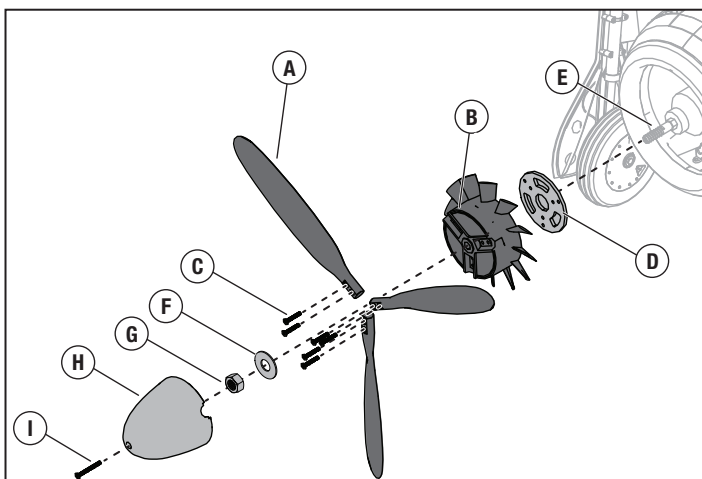
⚠️ WARNUNG: Den Propeller erst anbringen, wenn sämtliche System-Setups abgeschlossen sind. Ein Nichtbeachten dieser Warnung könnte schwere Verletzungen nach sich ziehen.

1. Bringen Sie die Aluminiumschraube Rückplatte (D) an der Rückseite der Kühlerlüfternabe (B) an.
2. Befestigen Sie die 3 Propellerblätter (A) mit 6 Schrauben (M3 x 16mm) (C) an der Nabe des Kühlventilators.

TIPP: Die abgeschrägten Schraubenlöcher des Propellers müssen für einen korrekten Betrieb von der Nabe des Kühlventilators nach außen zeigen.

TIPP: Vergewissern Sie sich vor der Installation des Kühlgebläses, dass die Kabel des Geschwindigkeitsreglers nicht mit den Kühlgebläseblättern interferieren. Die Kabel für den Geschwindigkeitsregler in die entsprechende Öffnung schieben, weg von den Kühlgebläseblättern.

3. Schieben Sie die Nabenbaugruppe des Propellerkühlgebläses auf die Propellerwelle (E). Stellen Sie sicher, dass der Sechskant der Kühlerlüfternabe richtig in den Sechskant der Antriebswelle passt.
4. Die Propellerunterlegscheibe (F) und die Propellermutter (G) auf der Propellerwelle anbringen. Befestigen Sie die Nabenbaugruppe des Propellerkühlgebläses mit einem Schraubenschlüssel an der Propellerwelle. Es ist wichtig, die Nabenbaugruppe des Propellerkühlgebläses in den Sechskant der Propellerwelle einzusetzen.
5. Richten Sie den Spinner (H) an der Propellerkühlgebläsebaugruppe aus. Mit Schraube (M3 x 32) befestigen (I). Hinweis: Achten Sie darauf, die Schraube des Spinners nicht zu fest anzuziehen und den Spinner nicht zu verformen.



PNP Receiver Selection and Installation

Der empfohlene Empfänger für dieses Fluggerät ist der Spektrum AR637T. Wird ein anderer Empfänger montiert, sicherstellen, dass es sich dabei mindestens um einen kompletten Empfänger mit 6 Kanälen handelt. Siehe Handbuch des gewählten Empfängers zur korrekten Montage und Bedienung.

Montage AR637T

1. Den Verriegelungsschalter der Abdeckung (A) nach hinten schieben und den hinteren Teil der Kanzel zum Entfernen anheben.
2. Die entsprechenden Steuerflächen laut der Tabelle auf der rechten Seite an ihre jeweiligen Anschlüsse am Empfänger anbringen.
3. Den Empfänger (nicht im Lieferumfang enthalten) mit doppelseitigem Servoband entsprechend der Abbildung hinter dem Akkufach befestigen. Der Empfänger sollte in der dargestellten Ausrichtung parallel zur Länge des Rumpfs angebracht werden, wobei das Etikett nach oben weist und die Servo-Anschlüsse zur Vorderseite des Fluggeräts weisen. Die Ausrichtung des Empfängers ist für die technische Konfiguration aller AS3X® und SAFE® absolut wichtig.

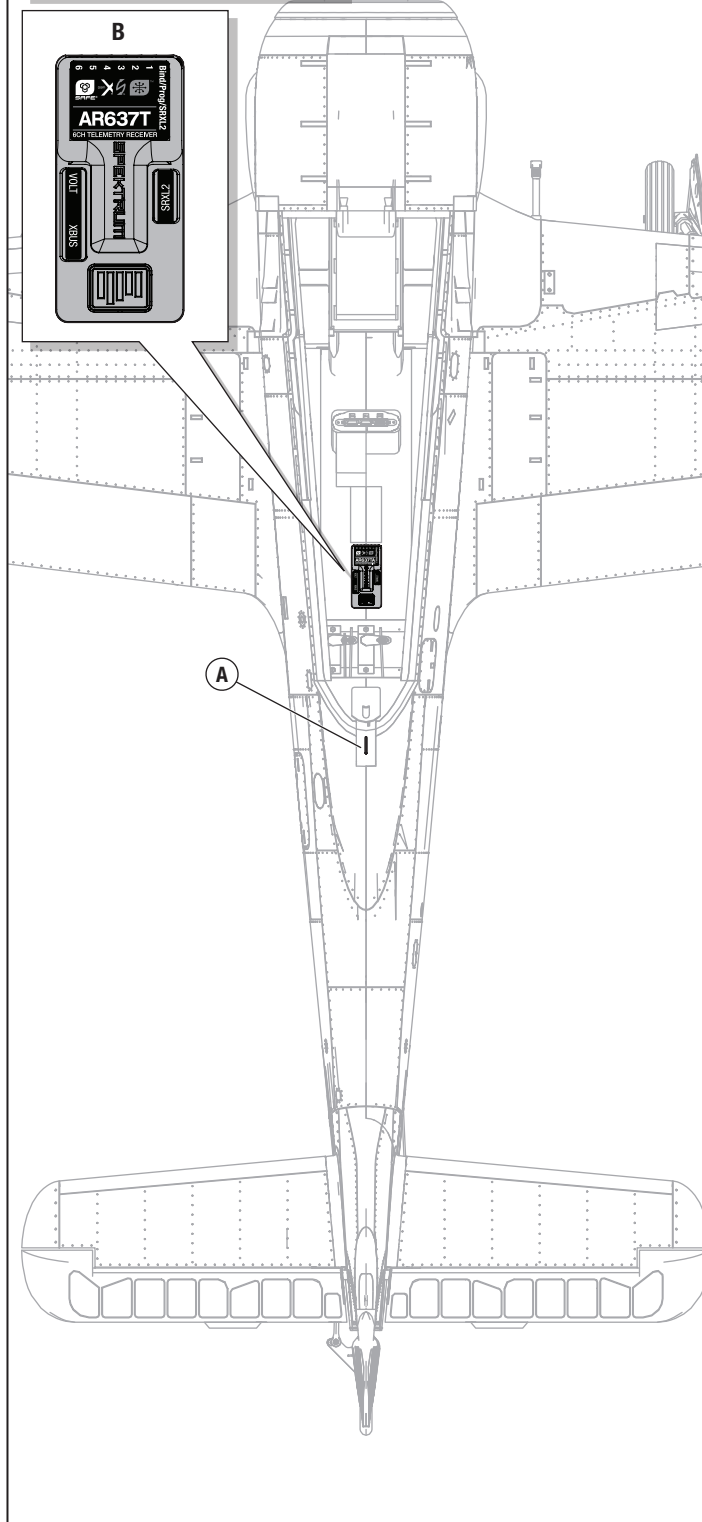


ACHTUNG: Die falsche Montage des Empfängers kann einen Absturz verursachen.

AR637T- Anschlusszuweisungen

BND/PRG = BINDEN

- 1 = Gas
- 2 = Querruder
- 3 = Höhenruder
- 4 = Seitenruder
- 5 = Einfahrvorrichtungen
- 6 = Klappen



Battery Installation and ESC Arming

Auswahl des Akkus

Wir empfehlen den 5000 mA 22,2 V 6S 30C Li-Po-Akku (SPMX50006S30). Siehe Optionale Teileliste zu weiteren empfohlenen Akkus. Wird ein anderer als die aufgeführten Akkus verwendet, dann sollte der Akku in Leistung, Abmessungen und Gewicht dem Spektrum Smart LiPo-Akkupack entsprechen, damit er in den Rumpf passt. Sicherstellen, dass das Modell am empfohlenen Schwerpunkt ausbalanciert ist.

1. Bringen Sie das Gas und die Gastrimmung ganz nach unten. Schalten Sie den Sender ein und warten 5 Sekunden.
2. Den Verriegelungsschalter der Abdeckung nach hinten schieben und den hinteren Teil der Abdeckung (A) zum Entfernen anheben.
3. Schieben Sie die Akkuhalterung (B) aus dem Akkufach heraus.
4. Für zusätzliche Sicherheit die Schlingenseite (glatte Seite) des optionalen Klettbandes (C) an der Unterseite Ihres Akkus und die Hakenseite an der Akkuhalterung befestigen.
5. Montieren Sie das voll aufgeladene Akku (D) wie in der Abb. gezeigt am Vorderende der Akkuhalterung und fixieren es mithilfe der Klettbänder (E).

TIPP: Installieren Sie bei den meisten 6S 5000mAh 30C LiPo-Akkupacks den Akku weit vorne im Akkufach. Der Akku hängt über die Vorderseite des Akkufachs hinaus und befindet sich in der Nähe der Rückseite der Firewall.

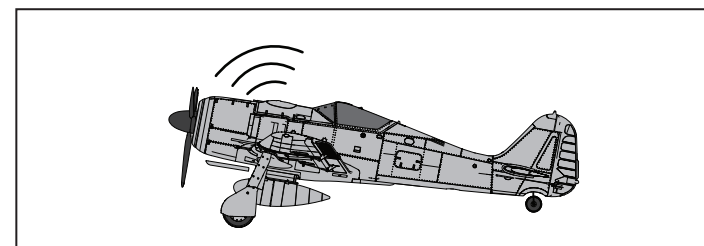
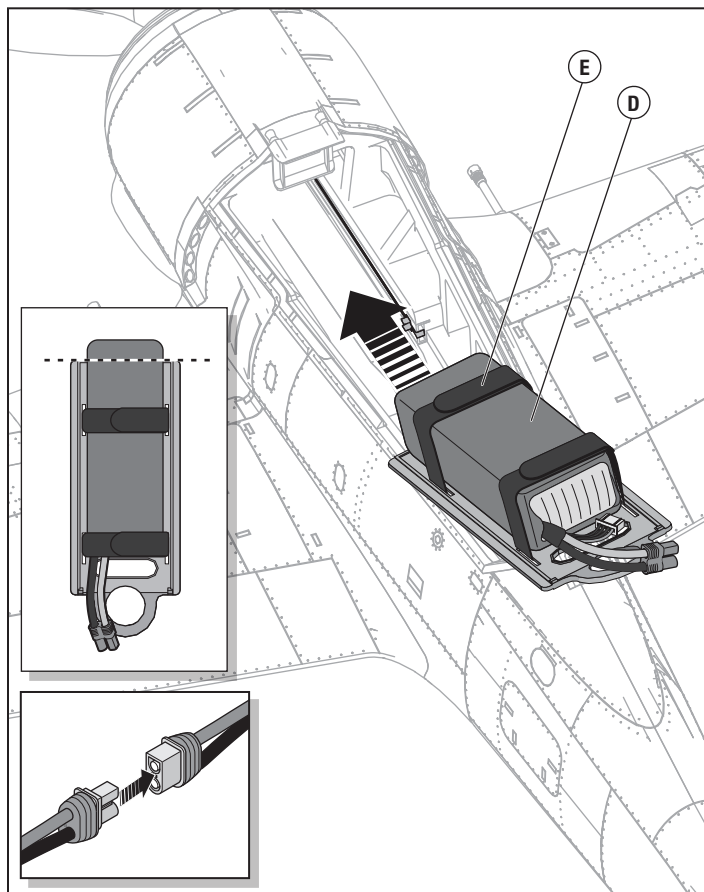
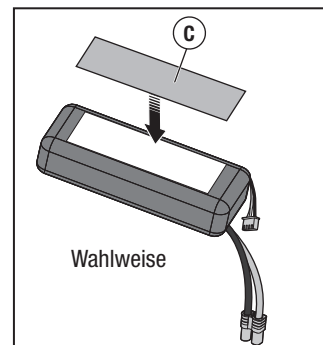
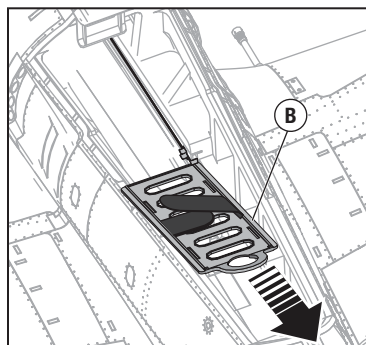
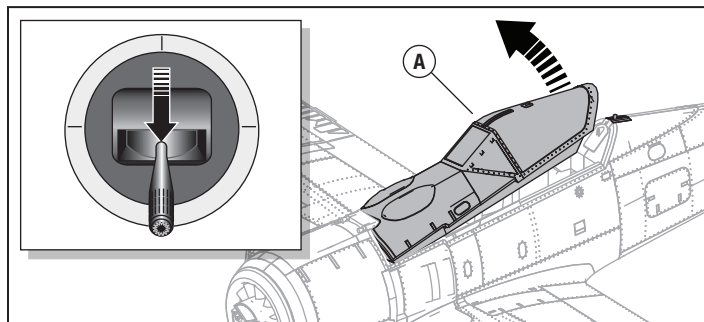
6. Richten Sie die Akkuhalterung an den Führungen des Akkufachs aus und schieben die Halterung ganz bis zum Ende bis sie einrastet.
7. Schließen Sie den Akku an den Regler an. Der Regler ist jetzt armiert.
8. Das Flugzeug muß vollkommen still und außerhalb des Windes stehen, da sich sonst das System nicht initialisiert.
 - Der Regler produziert eine Tonserie (lesen Sie im Schritt 6 der Bindeanweisung für mehr Informationen nach).
 - Eine LED leuchtet auf dem Empfänger.

Sollte der Regler nach dem Anschluss des Akkus ein kontinuierlichen Doppelpiepton abgeben, laden oder ersetzen Sie den Akku.

9. Setzen Sie die Kabinenhaube wieder auf.

! WARNUNG: Halten Sie die Hände stets in gebührendem Abstand vom Propeller. Im scharfgeschalteten Zustand dreht der Motor den Propeller bei jeder Bewegung des Gasknüppels.

! WARNUNG: Wenn Ihr Sender dies unterstützt, immer die Gasabschaltung aktivieren, bevor Sie sich dem Flugzeug bei angeschlossenem Akku nähern.



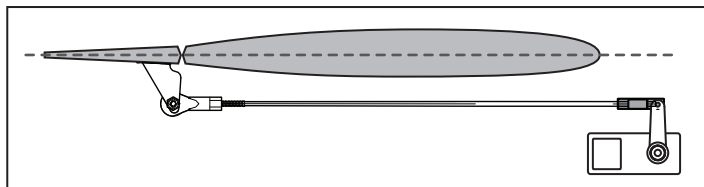
Zentrieren der Ruder und Einstellen des Gestänges

WICHTIG: Führen Sie den Steuerrichtungstest durch bevor Sie die Kontrollen zentrieren.

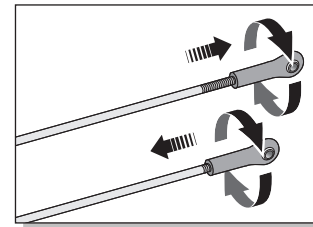
Zentrieren Sie mechanisch die Ruder bevor das SAFE aktiv ist.

WICHTIG: Der korrekte Betrieb des SAFE macht es nötig dass die Trimmung und Sub Trimmeinstellung auf Null ist.

Stellen Sie nach dem Binden des Modells die Trimmung und Subtrimmwerte auf Null und justieren dann die Gestänge mechanisch um die Ruder zu zentrieren.



- Drehen Sie den Anschluß auf dem Gestänge im oder gegen den Uhrzeigersinn bis das Ruder zentriert ist.
- Verbinden Sie nach der Einstellung den Gestängeanschluß mit dem Ruderhorn.



Einstellungen der Ruderhörner und Servoarme

Die Aufstellung auf der rechten Seite zeigt die Werkseinstellungen für die Ruderhörner und Servoarme. Bitte fliegen Sie das Flugzeug zuerst mit diesen Einstellungen bevor sie Änderungen vornehmen.

HINWEIS: Sollten die Ruderausschläge von dem empfohlenen Ausschläge geändert werden, müssen auch die GAIN Werte des AR637T geändert werden. Bitte lesen Sie dazu in der Bedienungsanleitung des Spektrum AR637T Empfängers nach.

Nach dem Fliegen können Sie die Anlenkungen nach ihren Wünschen einstellen. Sehen Sie bitte dazu die Aufstellung unten.

	Ruderhörner	Servoarme
Höhenruder		
Seitenruder		
Querruder		Spornrad
Klappe		

Mehr Ruderweg	Weniger Ruderweg

Binden

Allgemeine Tipps zur Bindung

- Der mitgelieferte Sender wurde speziell für den Betrieb dieses Fluggeräts programmiert. Nach dem Austausch des Empfängers sind die Anweisungen zur ordnungsgemäßen Einrichtung dem Empfängerhandbuch zu entnehmen.
- Während des Bindens von großen Metallobjekten fern halten.
- Die Senderantenne während des Bindens nicht direkt auf den Empfänger richten.
- Die orangefarbene LED auf dem Empfänger beginnt, schnell zu blinken, wenn der Empfänger in den Bindungsmodus wechselt.
- Nach erfolgter Bindung behält der Empfänger seine Bindungseinstellungen für den Empfänger bei, bis eine neue Bindung erfolgt.
- Wird die Kommunikation zwischen Empfänger und Sender unterbrochen, so wird Failsafe aktiviert. Durch Failsafe wird der Gaskanal in die Position „wenig Gas“ gebracht. Steig- und Roll-Kanäle verschieben sich, um das Fluggerät im Flug auszurichten.
- Treten Probleme auf, ist die Anleitung zur Fehlerbehebung zu konsultieren, bei Bedarf hilft die Produktsupport-Abteilung von Horizon weiter.

SAFE Select-Technologie, optionaler Schutz für Flughüllen

Die BNF Basic-Version dieses Flugzeugs ist mit der SAFE Select-Technologie ausgestattet, die es ermöglicht, den Grad des Flugschutzes auszuwählen. Der SAFE-Modus beinhaltet eine Begrenzung der Schräglage und eine automatische Selbstausrichtung. Der AS3X-Modus ermöglicht dem Piloten eine direkte Reaktion auf die Steuerhebel. SAFE Select wird während des Bindungsvorgangs aktiviert oder deaktiviert.

Ist SAFE Select deaktiviert, befindet sich das Flugzeug stets im AS3X-Modus. Ist SAFE Select aktiviert, befindet sich das Flugzeug stets im SAFE Select-Modus. Alternativ ist es möglich, einen Schalter für den Wechsel zwischen den Modi SAFE Select und AS3X zuzuweisen.

Dank der SAFE Select-Technologie lässt sich dieses Flugzeug für Vollzeit-SAFE-Modus oder Vollzeit-AS3X-Modus konfigurieren. Auch die Modusauswahl kann einem Schalter zugewiesen werden.

WICHTIG: Vor dem Binden den Abschnitt zur Sendereinrichtung in dieser Anleitung lesen und die Sendereinrichtung abschließen, um sicherzustellen, dass der Sender für dieses Flugzeug korrekt programmiert wurde.

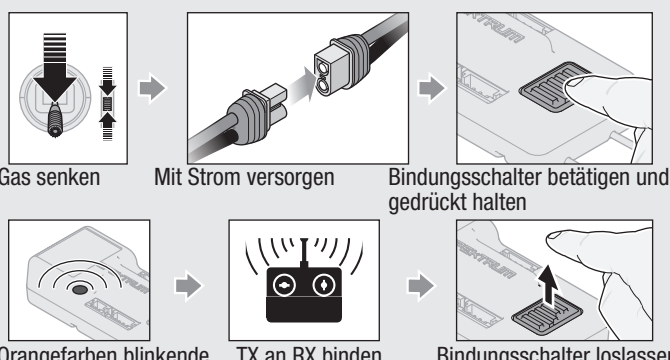
WICHTIG: Die Flugsteuerungen des Senders (Höhen-, Quer- und Seitenruder) und Gastrimmung auf neutral stellen. Das Gas vor und während dem Binden auf geringe Gaszufuhr stellen.

Um das Binden und den SAFE Select-Vorgang abzuschließen, lässt sich entweder der Bindungsschalter auf dem Empfängergehäuse oder der konventionelle Bindungsstecker verwenden.

Bei Verwendung des zusätzlichen Akku-Sperrkreises eines im Bindungsanschluss des Empfängers eingesteckten Geschwindigkeitsreglers, diesen ausstecken, um den Bindungsstecker zu verwenden.

Verwendung des Bindungsschalters

SAFE Select aktiviert

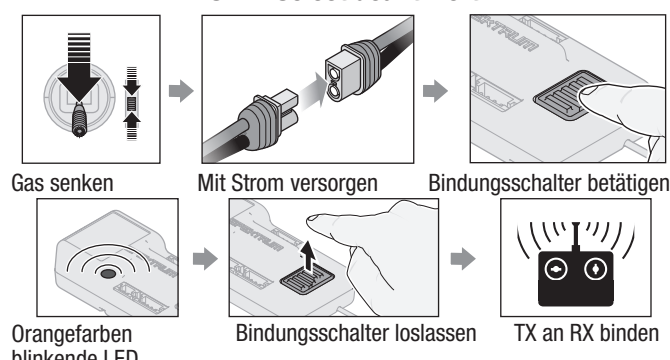


Gas senken → Mit Strom versorgen → Bindungsschalter betätigen und gedrückt halten

Orangefarben blinkende LED → TX an RX binden → Bindungsschalter loslassen

SAFE Select aktiviert: Jedes Mal, wenn der Empfänger eingeschaltet wird, schalten die Steuerflächen **zweimal** hin und her, mit einer kurzen Pause auf der Neutralposition.

SAFE Select deaktiviert



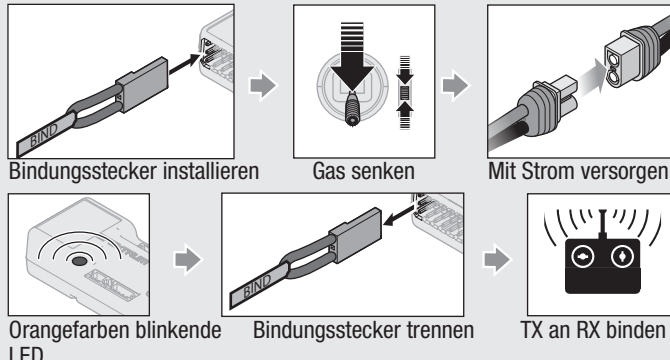
Gas senken → Mit Strom versorgen → Bindungsschalter betätigen

Orangefarben blinkende LED → Bindungsschalter loslassen → TX an RX binden

SAFE Select deaktiviert: Jedes Mal, wenn der Empfänger eingeschaltet wird, schalten die Steuerflächen **einmal** hin und her.

Verwendung des Bindungssteckers

SAFE Select aktiviert

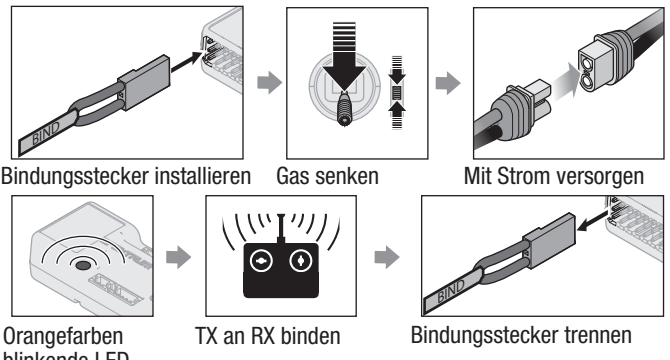


Bindungsstecker installieren → Gas senken → Mit Strom versorgen

Orangefarben blinkende LED → Bindungsstecker trennen → TX an RX binden

SAFE Select aktiviert: Jedes Mal, wenn der Empfänger eingeschaltet wird, schalten die Steuerflächen **zweimal** hin und her, mit einer kurzen Pause auf der Neutralposition.

SAFE Select deaktiviert



Bindungsstecker installieren → Gas senken → Mit Strom versorgen

Orangefarben blinkende LED → TX an RX binden → Bindungsstecker trennen

SAFE Select deaktiviert: Jedes Mal, wenn der Empfänger eingeschaltet wird, schalten die Steuerflächen **einmal** hin und her.

*Failsafe

Wird die Kommunikation zwischen Empfänger und Sender unterbrochen, so wird Failsafe aktiviert. Wenn Failsafe aktiviert ist, bringt es den Gaskanal auf seine voreingestellte Failsafe Position (wenig Gas), die bei der Bindung gespeichert wurde. Alle anderen Kanäle bewegen sich gleichzeitig und aktiv, um das Fluggerät in eine langsam fallende Kurve zu bringen.

Schalterbelegung von SAFE® Select

Sobald SAFE Select aktiviert ist, können Sie sich dafür entscheiden, Vollzeit im SAFE-Modus zu fliegen, oder einen Schalter zuweisen. Jeder Schalter auf jedem Kanal zwischen 5 und 9 lässt sich auf Ihrem Sender verwenden.

TIPP: Wenn das Modell über eine umgekehrte ESC-Funktion verfügt, ist AUX2 für SAFE Select nicht verfügbar.

Wurde das Fluggerät mit deaktiviertem SAFE Select gebunden, so verbleibt es exklusiv im AS3X-Modus.

ACHTUNG: Alle Körperteile von Propeller fernhalten und das Fluggerät bei versehentlicher Gasbetätigung sicher festhalten.

WICHTIG: Um einen Schalter zuweisen zu können, ist zunächst Folgendes zu prüfen:

- Das Fluggerät wurde bei aktiviertem SAFE Select gebunden.
- Der SAFE Select-Schalter wurde einem Kanal zwischen 5 und 9 zugewiesen (Getriebe, Aux1-4) und der Verfahrenweg ist in beiden Richtungen auf 100 % eingestellt.
- Die Richtungen für Quer-, Höhen- und Seitenruder sowie Gas sind auf normal eingestellt, nicht auf Umkehr.
- Quer-, Höhen- und Seitenruder sowie Gas sind auf 100 % Verfahrenweg eingestellt. Werden duale Raten verwendet, müssen sich die Schalter in der Position 100 % befinden.

Siehe Handbuch des Senders zu weiteren Informationen zum Zuweisen eines Schalters an einen Kanal.

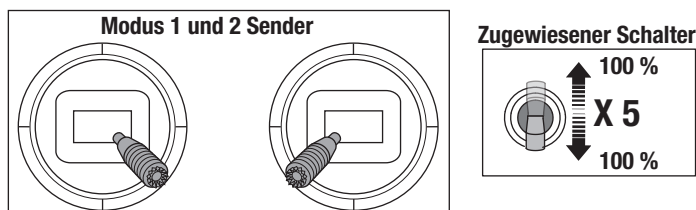
TIPP: Wird bei Verwendung eines 6-Kanal-Senders ein SAFE Select-Schalter für das 6-Funktions-Fluggerät gewünscht, muss der SAFE Select-Schalterkanal entweder mit Kanal 5 oder Kanal 6 des Senders geteilt werden. Dies gilt nicht für die NX6. Weitere Einzelheiten entnehmen Sie bitte Ihrer NX6 Bedienungsanleitung.

Zuweisen eines Schalters

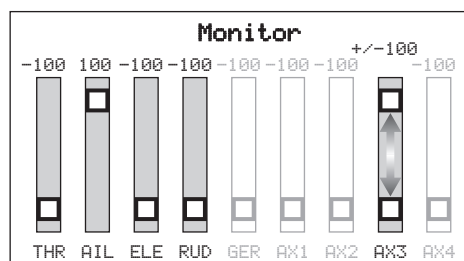
1. Schalten Sie den Sender ein.
2. Schalten Sie das Fluggerät ein.
3. Beide Hebel des Senders in die unteren inneren Ecken halten und den gewünschten Schalter 5-mal (1 Umschalten = vollständig von oben nach unten) schnell hin- und herschalten.
4. Die Steueroberflächen des Flugzeugs werden sich bewegen und so anzeigen, dass der Schalter ausgewählt wurde.

Den Vorgang wiederholen, um einen anderen Schalter zuzuweisen oder den aktuellen Schalter zu deaktivieren.

Hebelpositionen für SAFE Select-Schalterbelegungen



TIPP: Den Kanalmonitor zur Überprüfung der Kanalbewegung verwenden.



Dieses Beispiel eines Kanalmonitors zeigt die Hebelpositionen für das Zuweisen eines Schalters, wobei für den Schalter Aux3 ausgewählt und ein Verfahrenweg von +/- 100 % am Schalter eingestellt wurde.

SMART Technology™ Telemetrie

Dieses Flugzeug ist im Geschwindigkeitsregler und Empfänger mit Spektrum SMART-Technologie ausgestattet, die Telemetrie-Informationen wie Akkuspannung und Temperatur bereitstellen kann. Zur Nutzung der SMART-Technologie benötigen Sie einen kompatiblen Sender. Möglicherweise ist eine Firmware-Aktualisierung für Ihren Sender erforderlich.

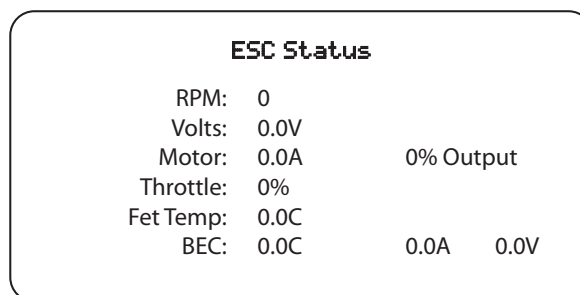
Um Zugriff auf sämtliche verfügbaren Funktionen von SMART Technology zu erhalten, Spektrum SMART-Akkus zur Stromversorgung des Fluggeräts verwenden. Zusätzlich zu den Informationen des Geschwindigkeitsreglers können Spektrum SMART-Akkus detaillierte Akku-Daten über das SMART Technology-System übertragen.

Zum Anzeigen von SMART-Telemetrie:

1. Beginnen Sie mit dem an den Empfänger gebundenen Sender.
2. Schalten Sie den Sender ein.
3. Schalten Sie das Fluggerät ein.
4. Das SMART-Logo erscheint unter dem Akku-Logo auf dem Startbildschirm. In der oberen linken Ecke des Bildschirms erscheint eine Signalleiste.*
5. Die SMART-Technologiebildschirme werden beim Navigieren nach dem Servo-Monitor angezeigt.

*Zeigt der Sender, den Sie für dieses Fluggerät einsetzen möchten, keine Telemetriedaten an, so gehen Sie zu Spektrumrc.com und aktualisieren Ihre Firmware. Mit der neuesten auf Ihrem Sender installierten Firmware sollte die Telemetrieoption auf Ihrem Sender funktionsfähig sein.

Weitere Informationen zu kompatiblen Sendern, Firmware-Aktualisierungen und zur SMART-Technologie auf Ihrem Sender finden Sie unter spektrumRC.com.



Steuerrichtungstests

Den Sender einschalten und den Akku anschließen. Den Sender zum Steuern der Querruder-, Höhenruder- und Seitenrudersteuerungen verwenden. Beim Prüfen der Steuerungsrichtungen das Fluggerät von hinten ansehen.

Die BNF Basic-Version dieses Modells verfügt über eine integrierte Ruder-Querruder-Mischung. Wenn die Querruder ausgelenkt werden, bewegt sich das Ruder.

Höhenruder

1. Den Höhenruder-Hebel zurückziehen. Die Höhenruder sollten sich nach oben bewegen, sodass das Fluggerät steigt.
2. Den Höhenruder-Hebel nach vorne drücken. Die Höhenruder sollte sich nach unten bewegen, sodass das Fluggerät sinkt.

Querruder


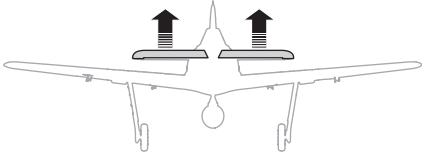

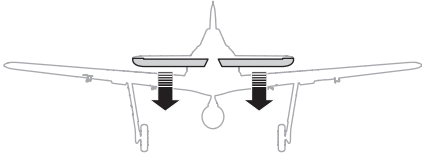
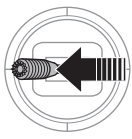

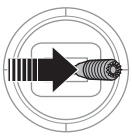

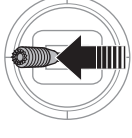
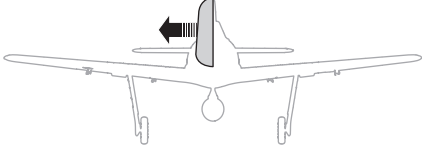
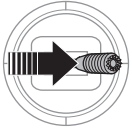
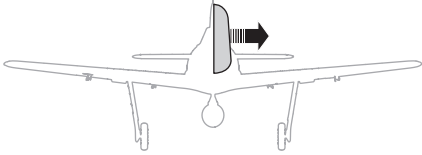
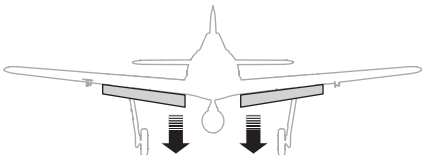
1. Den Querruder-Hebel nach links bewegen. Die linken Querruder sollten sich nach oben und die rechten Querruder nach unten bewegen, sodass sich das Fluggerät nach links neigt.
2. Den Querruder-Hebel nach rechts bewegen. Die rechten Querruder sollten sich nach oben und die linken Querruder nach unten bewegen, sodass sich das Fluggerät nach rechts neigt.

Seitenruder

1. Den Seitenruder-Hebel nach links bewegen. Das Seitenruder sollte sich nach links bewegen, sodass das Flugzeug nach links giert.
2. Den Seitenruder-Hebel nach rechts bewegen. Das Seitenruder sollte sich nach rechts bewegen, sodass das Fluggerät nach rechts giert.

Klappen

1. Den Klappensteuerschalter nach unten in die Position „Klappen vollständig ausgefahren“ bewegen.
2. Bestätigen, dass die Tragflächenklappen vollständig ausgefahren sind.
3. Den Klappensteuerschalter in die Position „Klappen vollständig ausgefahren“ bewegen.
4. Bestätigen, dass die Klappen weiter als in Schritt zwei ausgefahren sind.

	Sendersteuerung	Reaktion der Steuerflächen
Höhenruder		
		
Querruder		
		
Seitenruder		
		
Klappen		

AS3X Kontrolltest

Dieser Test soll sicherstellen, dass das AS3X System einwandfrei funktioniert. Bevor Sie diesen Test durchführen muß das Flugzeug vollständig montiert und der Empfänger an den Sender gebunden sein.

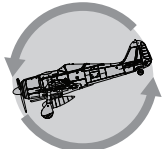
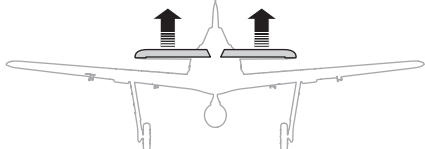
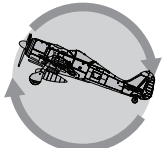
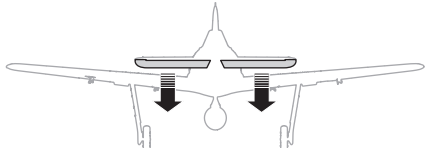





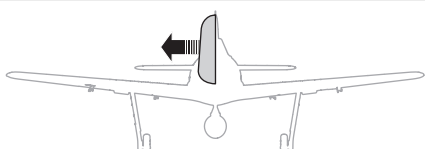
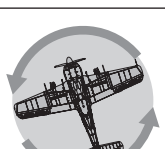
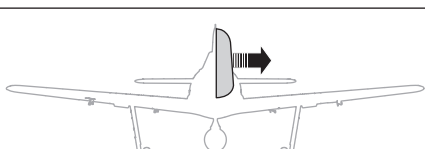
1. Erhöhen Sie das Gas etwas über 25% und gehen Sie dann wieder auf Gas (Motor) aus um das AS3X zu aktivieren.

ACHTUNG: Halten Sie alle Körperteile, Haare oder lose Kleidung weg vom drehenden Propeller, da sich diese Teile verfangen können.

WICHTIG: In der AR637T Programmierung für dieses Flugzeug vergrößern sich bei gesetzten Klappen die Ruderausschläge.

2. Bewegen Sie das gesamte Flugzeug wie abgebildet um sicher zustellen, dass die Ruder sich wie in der Grafik dargestellt bewegen. Sollten sich die Ruder nicht wie dargestellt bewegen, fliegen Sie nicht und lesen in der Anleitung des Empfängers für mehr Informationen nach.

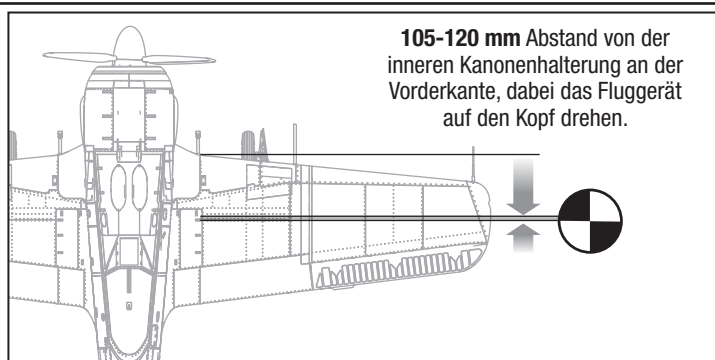
Ist das AS3X System einmal aktiv bewegen sich die Ruderflächen sehr schnell, das ist normal. Das System bleibt solange aktiv bis der Akku getrennt wird.

	Flugzeug bewegung	AS3X Reaktion
Höhenruder		
		
Querruder		
		
Seitenruder		
		

Der Schwerpunkt (CG)

Die CG-Position wird von der inneren Kanonenhalterung an der Vorderkante zurückgemessen, dabei das Fluggerät auf den Kopf drehen. Diese CG-Position wurde mit dem am Vorderende der Akkuhalterung montierten empfohlenen Li-Po Akku (SPMX50006S30) bestimmt. Der Akku wird über die Vorderseite des Akkufachs hinausragen und sich nahe der Rückseite der Firewall befinden.

WARNUNG: Akkus einsetzen, aber den Geschwindigkeitsregler während der Prüfung des CGs nicht aktivieren. Dies kann Verletzungen verursachen.

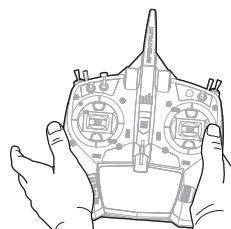


Trimmung während des Fluges

Trimmen Sie das Flugzeug bei Ihrem ersten Flug für Horizontalflug mit Gashebel auf 3/4, Klappen und Fahrwerk eingefahren. Um den Geradeausflug des Flugzeugs zu verbessern, machen Sie kleine Trimmkorrekturen mit den Trimmaltern Ihres Senders.

Nach erfolgter Einstellung der Trimmung berühren Sie die Steuerknüppel 3 Sekunden lang nicht. Dadurch erhält der Empfänger die Informationen über die zur Optimierung der AS3X-Leistung geeigneten Einstellungen.

Wenn Sie dies nicht tun, kann die Flugleistung beeinträchtigt werden.



3 Sekunden

Tipps zum Fliegen und Reparieren

Bitte beachten Sie vor der Auswahl des Flugfeldes die örtlichen Bestimmungen und Gesetze.

Reichweitentest der Fernsteuerung

Führen Sie vor dem Flug einen Reichweitentest durch. Bitte lesen Sie dazu in der Bedienungsanleitung ihrer Fernsteuerung nach.

Schwingungen

Ist das AS3X System aktiv (nachdem Sie zum ersten Gas gegeben haben) sehen Sie wie die Ruder auf die Flugzeugbewegung reagieren. Sollten Schwingungen auftreten bei denen das Flugzeug auf einer Achse auf und ab schwingt oder in eine Art der Überkontrolle (Aktion / Reaktion) kommt, lesen Sie bitte im Leitfaden zur Problemlösung nach.

Start

Stellen Sie das Flugzeug in Startposition gegen den Wind. Fahren Sie die Klappen auf Startposition auf Halb. Aktivieren Sie die Dual Rate Einstellung Low Rate mit den kleinen Ruderausschlägen und erhöhen schrittweise das Gas von 3/4 auf Vollgas und halten dabei die Startrichtung mit dem Seitenruder. Ziehen Sie vorsichtig am Höhenruder und steigen auf Sicherheitshöhe. Fahren Sie das Fahrwerk mit dem Fahrwerksschalter und dann die Klappen ein.

Fliegen

Stellen Sie den Timer für Flüge mit dem empfohlenen Akku (SPMX50006S30) auf 3 Minuten und landen danach das Flugzeug. Justieren Sie erst nach der ersten Flüge den Timer auf eine andere Zeit. Bitte landen Sie sofort wenn zu einem beliebigen Zeitpunkt der Motor pulsiert und laden den Akku. Bitte lesen Sie in dem Abschnitt der Niederspannungsabschaltung mehr Informationen zur Akkupflege und Betriebszeit.

Landen

Stellen Sie für die ersten Flüge mit dem empfehlenden Akku (SPMX50006S30) den Timer auf ihrem Sender oder eine Stopuhr auf 5 Minuten. Landen Sie nach 5 Minuten das Flugzeug. Stellen Sie den Timer nach ihren Wünsche ein wenn Sie das Modell geflogen haben. Sollte zu einem beliebigen Zeitpunkt der Motor zu pulsieren beginnen landen Sie das Flugzeug unverzüglich und laden den Akku. In dem Abschnitt der Niederspannungsabschaltung (LVC) können Sie mehr erfahren wie Sie Leistung und Lebensdauer des Akku erhalten.

Behalten Sie das Gas bei, bis das Flugzeug abgefangen werden kann.

Während des Abfangens die Flügel waagerecht und das Flugzeug im Wind halten. Gehen Sie vorsichtig vom Gas und ziehen gleichzeitig das Höhenruder zurück, um das Flugzeug aufsetzen zu lassen.

Sollten Sie auf Gras landen ist es das Beste bei dem Rollen das Höhenruder voll gezogen zu lassen und einen Kopfstand zu verhindern.

Vermeiden Sie am Boden scharfe Kurven die zum Aufsetzen der Tragflächenenden führen können bis das Flugzeug langsam genug geworden ist.

Tipps für das Fliegen mit SAFE® Select

Wenn das Flugzeug im SAFE Select-Modus fliegt, kehrt es in den Horizontalflug zurück, wenn sich die Querruder- und Höhenrudersteuerung auf Neutral befinden. Mit der Querruder- oder Höhenrudersteuerung kann bewirkt werden, dass das Flugzeug sich neigt, steigt oder in einen Sturzflug übergeht. Zudem bestimmt die Intensität mit der Steuerhebel bewegt wird die Fluglage des Flugzeugs. Die volle Kontrolle zu behalten, fordert die voreingestellten Neigungs- und Rollgrenzen des Flugzeugs heraus, führt aber nicht zu einem Überschreiten dieser Winkel.

Beim Fliegen mit SAFE Select wird der Steuerhebel normalerweise in ausgelenkter Position gehalten, bei moderater Eingabe beim Querruder in Kurven. Um mit SAFE Select reibungslos zu fliegen, häufige Steuerungsänderungen vermeiden und das Korrigieren kleinerer Abweichungen möglichst vermeiden. Durchdachte Steuereingaben geben dem Flugzeug den Befehl, in einem bestimmten Winkel zu fliegen und das Modell nimmt alle Anpassungen vor, um die Fluglage zu halten.

Beim Fliegen mit SAFE Select, sorgt das Gas dafür, dass das Flugzeug steigt oder sinkt. Vollgas führt dazu, dass das Flugzeug leicht die Nase anhebt und steigt. Mittleres Gas hält das Flugzeug in der jeweiligen Flughöhe. Geringes Gas führt dazu, dass das Flugzeug mit der Nase nach unten langsam sinkt.

Die Höhen- und Querrudersteuerung auf Neutral stellen, und dann vom SAFE Select-Modus in den AS3X-Modus wechseln. Wird beim Umschalten in den AS3X-Modus die Steuerung nicht neutralisiert, sind die für den SAFE Select-Modus verwendeten Steuereingänge für den AS3X-Modus zu groß und das Flugzeug reagiert sofort.



WARNUNG: Bei Propellerkontakt sofort das Gas zurücknehmen.

HINWEIS: Sollte ein Absturz oder Crash bevorstehen reduzieren Sie das Gas und die Gastrimmung vollständig. Tun Sie das nicht könnte der Rumpf, Regler und Motor zusätzlich beschädigt werden.

HINWEIS: Bitte überprüfen Sie nach jedem Aufschlag ob der Empfänger noch sicher im Rumpf befestigt ist. Sollten Sie den Empfänger austauschen montieren Sie in gleicher Einbaurichtung und Lage, da es sonst zu Beschädigungen kommen könnte.

HINWEIS: Absturzschäden sind nicht durch die Garantie gedeckt.

HINWEIS: Lassen Sie das Flugzeug nach dem Fliegen niemals in der Sonne. Lagern Sie es nicht in heißer, geschlossener Umgebung wie einem Auto. Dieses könnte den Schaum beschädigen.

Niederspannungsabschaltung (LVC)

Wird ein LiPo Akku unter 3 Volt per Zelle entladen kann er keine Ladung mehr halten. Der Regler schützt den Flugaku vor Tiefentladung mit der Niederspannungsabschaltung. Bevor die Akkuspannung zu sehr absinkt reduziert der Regler die Spannung zum Motor. Der Motor beginnt zu pulsieren und es bleibt ausreichend Leistung für eine sichere Landung.

Trennen Sie den Akku nach dem Fliegen und nehmen ihn aus dem Flugzeug um eine Tiefentladung zu vermeiden. Laden Sie den Akku auf die Hälfte seiner Kapazität bevor Sie ihn einlagern. Stellen Sie während der Lagerung sicher, dass die Spannung nicht unter 3 Volt pro Zelle fällt. Die Niederspannungsabschaltung schützt den Akku nicht vor Tiefentladung während der Lagerung.

HINWEIS: Wiederholtes fliegen in die Niederspannungsabschaltung (LVC) beschädigt den Akku.

TIPP: Überprüfen Sie vor und nach dem Fliegen die Akkuspannung mit einem LiPo Volt Checker (SPMXBC100 separat erhältlich).

Reparaturen

Dank des EPO-Schaummaterials in diesem Fluggerät können Reparaturen am Schaumstoff mit fast jedem Klebstoff (Heißleim, regulärer CA, Epoxid usw.) durchgeführt werden. Sollten Teile nicht mehr reparabel sein können Sie die Bestellnummer aus der Ersatzteilliste am Ende dieser Bedienungsanleitung entnehmen

HINWEIS: Die Verwendung von Aktivator kann die Lackierung des Flugzeuges beschädigen. Hantieren Sie NICHT mit dem Flugzeug bis der Aktivator vollständig getrocknet ist.

Unterschiede zwischen den Modi SAFE Select und AS3X

Dieser Abschnitt ist grundsätzlich präzise, berücksichtigt aber nicht die Fluggeschwindigkeit, den Ladezustand der Batterie und andere einschränkende Faktoren.

		SAFE Select	AS3X
Steuereingabe	Steuerhebel wird in Neutralposition gebracht	Flugzeug richtet sich selbst aus	Flugzeug behält aktuelle Position bei
	Geringfügige Steuereingaben	Flugzeug wird in eine moderate Schräglage bzw. Neigung bewegt, wo es verbleibt.	Weiterhin langsames Neigen und Rollen des Flugzeugs
	Volle Steuerung	Flugzeug wird bis zu den vorgegebenen Grenzen in Schräglage bzw. Neigung bewegt, wo es verbleibt.	Weiterhin schnelles Neigen und Rollen des Flugzeugs
	Gas	Vollgas: Ansteigen Neutral: Horizontalflug Geringes Gas: Sinken mit der Nase nach unten	Gas beeinträchtigt die Flugreaktion nicht.

Checkliste nach dem Flug

1	Trennen Sie den Flugakku vom Regler/ESC (notwendig zur Sicherheit und Akkualtbarkeit).
2	Schalten Sie den Sender aus.
3	Entfernen Sie den Flugakku aus dem Flugzeug.
4	Laden Sie den Flugakku neu auf.

5	Reparieren bzw. ersetzen Sie beschädigte Bauteile.
6	Lagern Sie den Flugakku gesondert vom Flugzeug und überwachen Sie die Aufladung des Akkus.
7	Notieren Sie die Flugbedingungen.

Motorwartung

⚠ ACHTUNG: Vor der Motorwartung immer den Flugakku trennen.

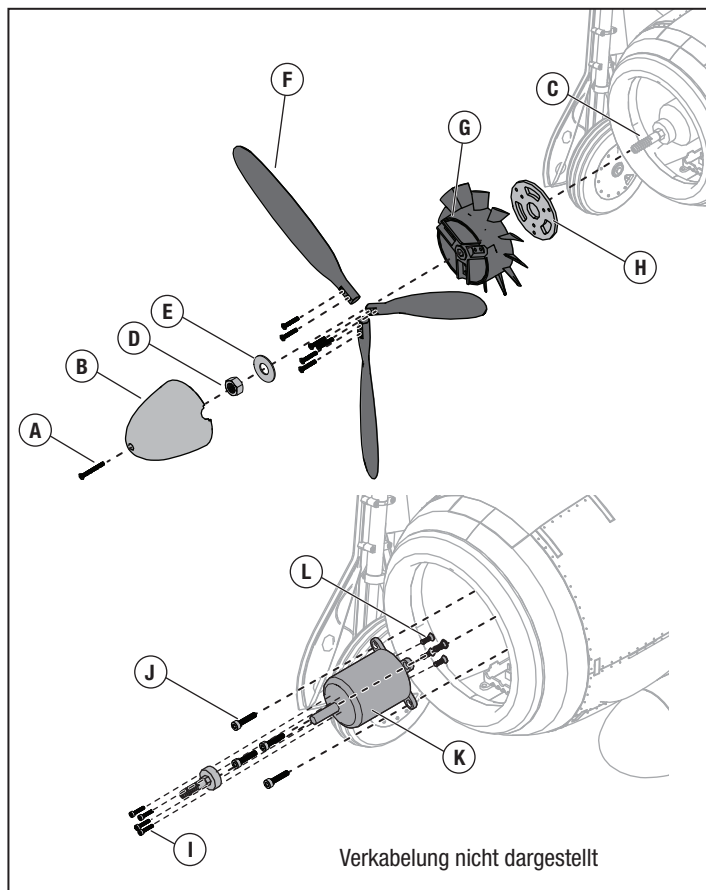
Zerlegen

1. Schraube (A) und Spinner (B) von der Propellerwelle (C) entfernen.
2. Propellermutter (D) und Propeller-Unterlegscheibe (E) entfernen.
3. Entfernen Sie die Propeller (F), Kühlventilator (G) und die Rückplatte (H) von der Propellerwelle.
4. Die 4 Schrauben (I) von der Propellerwelle entfernen und von der Motorwelle entfernen.
5. Die Motordrähte von den Drähten des Geschwindigkeitsreglers trennen.
6. Die 4 Schrauben (J) und den Motor (K) von der Motorhalterung entfernen.
7. Die 4 Schrauben (L) vom Motor entfernen, um die X-Halterung zu entfernen.

Zusammenbau

Alles in umgekehrter Reihenfolge wieder zusammenbauen.

- Die Aderfarben der Motordrähte korrekt mit den Drähten des Geschwindigkeitsreglers verbinden.
- Die Propellermutter mit einem Schraubenschlüssel festziehen.



Leitfaden zur Problemlösung AS3X

Problem	Mögliche Ursache	Lösung
Schwingungen	Beschädigter Propeller oder Spinner	Ersetzen Sie den Propeller oder Spinner
	Propeller nicht gewuchtet	Wuchten Sie den Propeller. Für mehr Informationen sehen Sie bitte John Redmanns Propeller Balancing Video unter www.horizonhobby.com
	Motorvibrationen	Ersetzen Sie alle Teile und ziehen Befestigungen wie benötigt an
	Empfänger lose	Richten Sie den Empfänger im Rumpf aus und befestigen Sie ihn
	Lose Komponenten	Befestigen und sichern Sie die Teile (Servo Arm, Gestänge, Servohorn und Ruder)
	Teile verschlissen	Ersetzen Sie abgenutzte Teile (speziell Propeller, Spinner oder Servos)
	Servoaussetzer	Ersetzen Sie das Servo
Inkonsistente Flugleistung	Trimmung ist nicht neutral	Sollten Sie mehr als 8 Klicks benötigen, justieren Sie den Gabelkopf mechanisch
	Sub-Trim ist nicht neutral	Sub-Trim Einstellungen sind NICHT zulässig. Justieren Sie den Arm oder Gabelkopf
	Flugzeug stand nicht 5 Sekunden vollkommen still nach Anschluss des Akkus	Bringen Sie den Gashebel auf die niedrigste Position. Trennen Sie den Akku, schließen ihn wieder an und lassen das Flugzeug für 5 Sekunden vollkommen still stehen
Falsche Reaktionen auf die AS3X Ruderkontrolle	Falsche Einstellungen in den Empfänger, der kann einen Absturz verursachen	Fliegen Sie NICHT. Korrigieren Sie die Einstellungen (bitte lesen Sie dazu in der Empfängeranleitung nach) und fliegen dann

Leitfaden zur Problemlösung

Problem	Mögliche Ursache	Lösung
Das Fluggerät reagiert nicht auf Gas-eingaben, aber auf andere Steuerungen	Das Gas befindet sich nicht im Leerlauf, und/oder die Gastrimmung ist zu hoch	Steuerungen mit Gassteuerknüppel und Gastrimmung auf niedrigste Einstellung zurücksetzen
	Gas-Servoweg ist niedriger als 100%	Sicherstellen, das der Gas-Servoweg 100% oder mehr beträgt
	Gaskanal ist reversiert (umgedreht)	Reversieren (drehen) Sie den Gaskanal am Sender
	Motor ist vom Regler getrennt	Stellen Sie sicher dass der Motor am Regler angeschlossen ist.
Zusätzliches Propellergeräusch oder zusätzliche Schwingung	Propeller und Spinner, Aufnahme oder Motor beschädigt	Beschädigte Teile austauschen
	Propeller läuft unrund	Wuchten oder ersetzen Sie den Propeller
	Propellermutter ist zu lose	Ziehen Sie die Propellermutter an
Verringerte Flugzeit oder untermotorisiertes Fluggerät	Ladestatus des Flugakkus ist niedrig	Flugakku vollständig neu aufladen
	Propeller umgekehrt eingebaut	Propeller mit Nummern nach vorne weisend einbauen
	Flugakku beschädigt	Flugakku austauschen und Anweisungen des Flugakkus befolgen
	Flugbedingungen können zu kalt sein	Sicherstellen, dass Akku vor Verwendung warm ist
	Akkukapazität zu gering für die Flugbedingungen	Ersetzen Sie den Akku mit einem größerer Kapazität
Das Fluggerät lässt sich (während der Bindung) nicht an den Sender binden	Sender steht während des Bindens zu nah am Empfänger	Stellen Sie den Sender etwas weiter vom Empfänger weg Trennen Sie den Flugakku und schließen ihn erneut an
	Fluggerät oder Sender sind zu nahe an einem großen Metallgegenstand	Stellen Sie den Sender weiter weg von den großen metallischen Objekten
	Der Bindestecker steckt nicht ordnungsgemäß im Bindeanschluss	Bindestecker in den Bindeanschluss stecken und Fluggerät an den Sender binden
	Ladestatus des Flugakkus/der Senderbatterie zu gering	Den Flugakku bzw. die Batterie neu aufladen bzw. austauschen
	Bindeschalter oder Knopf wurde während des Bindevorganges nicht lang genug gedrückt gehalten	Schalten Sie den Sender aus und wiederholen den Bindevorgang. Halten Sie den Senderbindebutton / Schalter gedrückt bis der Empfängergebunden ist
Das Fluggerät lässt sich (nach der Bindung) nicht mit dem Sender verbinden	Der Sender ist während des Verbindungsvorgangs zu nahe am Fluggerät	Den eingeschalteten Sender ein paar Fuß vom Fluggerät bewegen, Flugakku vom Flugzeug abklemmen und wieder anschließen
	Fluggerät oder Sender sind zu nahe an einem großen Metallgegenstand	Stellen Sie den Sender weiter weg von den großen metallischen Objekten
	Bindestecker blieb im Bindeanschluss stecken	Sender neu mit Flugzeug binden, und Bindestecker vor dem Einschalten abziehen
	Flugzeug an Speicher von anderem Modell gebunden (nur Model Match Sender)	Richtigen Modellspeicher auf dem Sender wählen
	Ladestatus des Flugakkus/der Senderbatterie zu gering	Den Flugakku bzw. die Batterie neu aufladen bzw. austauschen
	Der Sender wurde möglicherweise an ein anderes Modell gebunden (oder mit anderem DSM-Protokoll)	Binden Sie das Fluggerät an den Sender
Ruder bewegt sich nicht	Beschädigung von Ruder, Stellruderhorn, Anlenkgestänge oder Servo	Beschädigte Teile austauschen oder reparieren und Steuerungen anpassen
	Gestänge beschädigt oder Verbindungen locker	Richtiges Modell neu an den Sender binden oder im Sender wählen
	Sender ist nicht ordnungsgemäß gebunden, oder das falsche Modell wurde gewählt	Richtiges Modell neu an den Sender binden oder im Sender wählen
	Akkuladung ist zu niedrig	Laden Sie den Flugakku vollständig
	Empfängerstromversorgung (BEC) des Reglers ist beschädigt	Ersetzen Sie den Regler
Steuerung reversiert	Sendereinstellungen sind umgekehrt	Steuerrichtungstest durchführen, und die Steuerungen auf dem Sender geeignet anpassen
Motor pulsiert und verliert an Leistung	ESC verwendet als Standardeinstellung sanfte Niederspannungabschaltung (LVC)	Laden Sie den Flugakku vollständig oder ersetzen den Akku
	Wetterbedingungen u. U. zu kalt	Verschieben Sie den Flug bis es wärmer ist
	Batterie ist alt, leer oder beschädigt	Ersetzen Sie den Akku
	Batteriestromleistung u. U. zu schwach	Verwenden Sie den empfohlenen Akku

Ersatzteile

Teile-Nr.	Beschreibung
EFL01255	Akkualterung mit Bändern: P-51D 1,5m
EFL01351	Canopy mit Pilot; Fw 190A 1.5m
EFL01352	Rumpfkappenbolzen; Fw 190A 1,5 m
EFL01353	Rumpf; Fw 190A 1,5m
EFL01354	Horizontales Leitwerk; Fw 190A 1,5 m
EFL01355	Horizontaler Leitwerksholm; Fw 190A
EFL01357	Spinner mit Rückplatte; Fw 190A
EFL01358	Prop Set; Fw 190A 1,5 m
EFL01359	Haupttragfläche Mitte; Fw 190A 1,5 m
EFL01360	Paneel rechte Tragfläche; Fw 190A 1,5m
EFL01361	Paneel linke Tragfläche; Fw 190A 1,5 m
EFL01362	Schraubensatz; Fw 190A 1,5 m
EFL01363	Haupttradsatz; Fw 190A 1,5 m
EFL01364	C-Clips/Stifte zurückziehen; Fw 190A
EFL01365	Fahrwerkklappen; Fw 190A
EFL01366	Maßstabsgetreues Zubehör; Fw 190A
EFL01367	Stöbelstangensatz; Fw 190A 1,5 m
EFL01368	Servoabdeckungen; Fw 190A 1,5 m
EFL01369	Aufkleber-Satz; Fw 190A 1,5 m
EFL01370	Motor Propeller-Adapter; Fw 190A
EFL01371	Motoranbausatz; Fw 190A 1,5 m
EFL01372	Tragflächepanel-Stecker; Fw 190A 1,5 m
EFL01373	Freihandstecker; Fw 190A 1,5 m
EFL01374	Spornrad-Baugruppe; Fw 190A
EFL01376	Radachsen; Fw 190A 1,5 m
EFLG01376	Einzieh-Set; Fw 190A 1,5 m
EFLG01377	Strebenbolzen einziehen; Fw 190A 1,5 m
EFLG01378	Linke Strebenbaugruppe; Fw 190A
EFLG01379	Rechte Strebenbaugruppe; Fw 190A
EFLG01380	Motoreinheit einfahren; Fw 190A 1,5 m
SPMAR637T	AR637T AS3X Telemetrie-Empfänger mit 6 Kanälen
SPMSA430	17 g Servo
SPMXAE1100	Avian 100 A bürstenloser Smart-Geschwindigkeitsregler 6S
SPMXAM1000	4258-460 kV 14-Pole BL Motor

Empfohlene Teile

Teile-Nr.	Beschreibung
SPMR6775	NX6 6-Kanal-DSMX-Sender
SPMX50006S30	5000 mAh 6S 22,2 V Smart 30C; IC5
SPMXC1080	Smart S1100 Wechselstrom-Ladegerät, 1x100 W
SPMXCA507	Adapter: IC3-Akku/IC5-Gerät

Optionale Teile

Teile-Nr.	Beschreibung
SPMXBC100	Spektrum Schaumband
SPM6722	Spektrum Single Aircraft TX Gehäuse
SPMXC1000	Smart S1200 Gleichstrom-Ladegerät, 1x200 W
SPMXC10201	30 A 540 W Netzteil
SPMA3032	Spektrum Foam Tape
SPMR8200	NX8 8-Kanal-DSMX-Sender
SPMR8105	DX8e 8-Kanal-DSMX-Sender

Garantieeinschränkungen

Warnung

Ein ferngesteuertes Modell ist kein Spielzeug. Es kann, wenn es falsch eingesetzt wird, zu erheblichen Verletzungen bei Lebewesen und Beschädigungen an Sachgütern führen. Betreiben Sie Ihr RC-Modell nur auf freien Plätzen und beachten Sie alle Hinweise der Bedienungsanleitung des Modells wie auch der Fernsteuerung.

Garantiezeitraum

Exklusive Garantie → Horizon Hobby LLC (Horizon) garantiert, dass das gekaufte Produkt frei von Material- und Montagefehlern ist. Der Garantiezeitraum entspricht den gesetzlichen Bestimmungen des Landes, in dem das Produkt erworben wurde. In Deutschland beträgt der Garantiezeitraum 6 Monate und der Gewährleistungszeitraum 18 Monate nach dem Garantiezeitraum.

Einschränkungen der Garantie

- (a) Die Garantie wird nur dem Erstkäufer (Käufer) gewährt und kann nicht übertragen werden. Der Anspruch des Käufers besteht in der Reparatur oder dem Tausch im Rahmen dieser Garantie. Die Garantie erstreckt sich ausschließlich auf Produkte, die bei einem autorisierten Horizon Händler erworben wurden.
Verkäufe an dritte werden von dieser Garantie nicht gedeckt.
Garantieansprüche werden nur angenommen, wenn ein gültiger Kaufnachweis erbracht wird. Horizon behält sich das Recht vor, diese Garantiebestimmungen ohne Ankündigung zu ändern oder modifizieren und widerruft dann bestehende Garantiebestimmungen.
- (b) Horizon übernimmt keine Garantie für die Verkaufbarkeit des Produktes, die Fähigkeiten und die Fitness des Verbrauchers für einen bestimmten Einsatzzweck des Produktes. Der Käufer allein ist dafür verantwortlich, zu prüfen, ob das Produkt seinen Fähigkeiten und dem vorgesehenen Einsatzzweck entspricht.
- (c) Ansprüche des Käufers → Es liegt ausschließlich im Ermessen von Horizon, ob das Produkt, bei dem ein Garantiefall festgestellt wurde, repariert oder ausgetauscht wird. Dies sind die exklusiven Ansprüche des Käufers, wenn ein Defekt festgestellt wird.

Horizon behält sich vor, alle eingesetzten Komponenten zu prüfen, die in den Garantiefall einbezogen werden können. Die Entscheidung zur Reparatur oder zum Austausch liegt nur bei Horizon. Die Garantie schließt kosmetische Defekte oder Defekte, hervorgerufen durch höhere Gewalt, falsche Behandlung des Produktes, falscher Einsatz des Produktes, kommerziellen Einsatz oder Modifikationen irgendwelcher Art aus. Die Garantie schließt Schäden, die durch falschen Einbau, falsche Handhabung, Unfälle, Betrieb, Service oder Reparaturversuche, die nicht von Horizon ausgeführt wurden aus. Rücksendungen durch den Käufer direkt an Horizon oder eine seiner Landesvertretungen bedürfen der Schriftform.

Schadensbeschränkung

Horizon ist nicht für direkte oder indirekte Folgeschäden, Einkommensausfälle oder kommerzielle Verluste, die in irgendeinem Zusammenhang mit dem Produkt stehen verantwortlich, unabhängig ab ein Anspruch im Zusammenhang mit einem Vertrag, der Garantie oder der Gewährleistung erhoben werden. Horizon wird darüber hinaus keine Ansprüche aus einem Garantiefall akzeptieren, die über den individuellen Wert des Produktes hinaus gehen. Horizon hat keinen Einfluss auf den Einbau, die Verwendung oder die Wartung des Produktes oder etwaiger Produktkombinationen, die vom Käufer gewählt werden. Horizon übernimmt keine Garantie und akzeptiert keine Ansprüche für in der Folge auftretende Verletzungen oder Beschädigungen. Mit der Verwendung und dem Einbau des Produktes akzeptiert der Käufer alle aufgeführten Garantiebestimmungen ohne Einschränkungen und Vorbehalte.

Wenn Sie als Käufer nicht bereit sind, diese Bestimmungen im Zusammenhang mit der Benutzung des Produktes zu akzeptieren, werden Sie gebeten, das Produkt in unbenutztem Zustand in der Originalverpackung vollständig bei dem Verkäufer zurückzugeben.

Sicherheitshinweise

Dieses ist ein hochwertiges Hobby Produkt und kein Spielzeug. Es muss mit Vorsicht und Umsicht eingesetzt werden und erfordert einige mechanische wie auch mentale Fähigkeiten. Ein Versagen, das Produkt sicher und umsichtig zu betreiben kann zu Verletzungen von Lebewesen und Sachbeschädigungen erheblichen Ausmaßes führen. Dieses Produkt ist nicht für den Gebrauch durch Kinder ohne die Aufsicht eines Erziehungsberechtigten vorgesehen. Die Anleitung enthält Sicherheitshinweise und Vorschriften sowie Hinweise für die Wartung und den Betrieb des Produktes. Es ist unabdingbar, diese Hinweise vor der ersten Inbetriebnahme zu lesen und zu verstehen. Nur so kann der falsche Umgang verhindert und Unfälle mit Verletzungen und Beschädigungen vermieden werden.

Fragen, Hilfe und Reparaturen

Ihr lokaler Fachhändler und die Verkaufsstelle können eine Garantiebeurteilung ohne Rücksprache mit Horizon nicht durchführen. Dies gilt auch für Garantiereparaturen. Deshalb kontaktieren Sie in einem solchen Fall den Händler, der sich mit Horizon kurz schließen wird, um eine sachgerechte Entscheidung zu fällen, die Ihnen schnellst möglich hilft.

Wartung und Reparatur

Muss Ihr Produkt gewartet oder repariert werden, wenden Sie sich entweder an Ihren Fachhändler oder direkt an Horizon.

Rücksendungen/Reparaturen werden nur mit einer von Horizon vergebenen RMA Nummer bearbeitet. Diese Nummer erhalten Sie oder ihr Fachhändler vom technischen Service. Mehr Informationen dazu erhalten Sie im Serviceportal unter www.horizonhobby.de oder telefonisch bei dem technischen Service von Horizon.

Packen Sie das Produkt sorgfältig ein. Beachten Sie, dass der Originalkarton in der Regel nicht ausreicht, um beim Versand nicht beschädigt zu werden. Verwenden Sie einen Paketdienstleister mit einer Tracking Funktion und Versicherung, da Horizon bis zur Annahme keine Verantwortung für den Versand des Produktes übernimmt. Bitte legen Sie dem Produkt einen Kaufbeleg bei, sowie eine ausführliche Fehlerbeschreibung und eine Liste aller eingesendeten Einzelkomponenten. Weiterhin benötigen wir die vollständige Adresse, eine Telefonnummer für Rückfragen, sowie eine Email Adresse.

Garantie und Reparaturen

Garantieanfragen werden nur bearbeitet, wenn ein Originalkaufbeleg von einem autorisierten Fachhändler beiliegt, aus dem der Käufer und das Kaufdatum hervorgeht. Sollte sich ein Garantiefall bestätigen wird das Produkt repariert oder ersetzt. Diese Entscheidung obliegt einzig Horizon Hobby.

Kostenpflichtige Reparaturen

Liegt eine kostenpflichtige Reparatur vor, erstellen wir einen Kostenvoranschlag, den wir Ihrem Händler übermitteln. Die Reparatur wird erst vorgenommen, wenn wir die Freigabe des Händlers erhalten. Der Preis für die Reparatur ist bei Ihrem Händler zu entrichten. Bei kostenpflichtigen Reparaturen werden mindestens 30 Minuten Werkstattzeit und die Rückversandkosten in Rechnung gestellt.

Sollten wir nach 90 Tagen keine Einverständniserklärung zur Reparatur vorliegen haben, behalten wir uns vor, das Produkt zu vernichten oder anderweitig zu verwerten.

ACHTUNG: Kostenpflichtige Reparaturen nehmen wir nur für Elektronik und Motoren vor. Mechanische Reparaturen, besonders bei Hubschraubern und RC-Cars sind extrem aufwendig und müssen deshalb vom Käufer selbst vorgenommen werden.

10/2015

Kontakt Informationen

Land des Kaufs	Horizon Hobby	Telefonnummer/E-Mail-Adresse	Adresse
Europäische Union	Horizon Technischer Service Sales: Horizon Hobby GmbH	service@horizonhobby.eu +49 (0) 4121 2655 100	Hanskampring 9 D 22885 Barsbüttel, Germany

Konformitätshinweise für die Europäische Union



EU Konformitätserklärung:

EFL FW 190A 1.5m BNF Basic (EFL01350); Hiermit erklärt Horizon Hobby, LLC, dass das Gerät den folgenden Richtlinien entspricht: EU-Richtlinie über Funkanlagen 2014/53/EU, RoHS

2-Richtlinie 2011/65 / EU, RoHS 3-Richtlinie - Änderung 2011/65 / EU-Anhang II 2015/863

EFL FW 190A 1.5m PNP (EFL01375); Hereby, Horizon Hobby, LLC declares that the device is in compliance with the following:

EU-Richtlinie über elektromagnetische Verträglichkeit 2014/30/EU, RoHS 2-Richtlinie 2011/65 / EU, RoHS 3-Richtlinie - Änderung 2011/65 / EU-Anhang II 2015/863

Der vollständige Text der EU-Konformitätserklärung ist unter folgender Internetadresse abrufbar: <https://www.horizonhobby.com/content/supportrender-compliance>.

Wireless-Frequenzbereich und Wireless-Ausgangsleistung:

2402 – 2478 MHz
20dBm

WEEE-HINWEIS:



Dieses Gerät ist gemäß der Europäischen Richtlinie 2012/19/EU über Elektro- und Elektronik-Altgeräte (WEEE) gekennzeichnet. Dieses Symbol weist darauf hin, dass dieses Produkt kein normaler Haushaltsabfall ist, sondern in einer entsprechenden Sammelstelle für Elektro- und Elektronik-Altgeräte entsorgt werden muss.

Eingetragener EU-Hersteller:

Horizon Hobby, LLC
2904 Research Road
Champaign, IL 61822 USA

Eingetragener EU-Importeur:

Horizon Hobby, GmbH
Hanskampring 9
22885 Barsbüttel Germany

Australia/New Zealand:



E328

REMARQUE

La totalité des instructions, garanties et autres documents est sujette à modification à la seule discrétion d'Horizon Hobby, LLC. Pour obtenir la documentation à jour de ce produit, veuillez consulter le site www.horizonhobby.com ou towerhobbies.com et cliquez sur l'onglet de support du produit.


SIGNIFICATION DE CERTAINS TERMES SPÉCIFIQUES:

Les termes suivants sont utilisés dans l'ensemble du manuel pour indiquer différents niveaux de danger lors de l'utilisation de ce produit:

AVERTISSEMENT: Procédures qui, si elles ne sont pas suivies correctement, peuvent entraîner des dégâts matériels, des dommages collatéraux et des blessures graves OU engendrer une probabilité élevée de blessure superficielle.

ATTENTION: Procédures qui, si elles ne sont pas suivies correctement, peuvent entraîner des dégâts matériels ET des blessures graves.

REMARQUE: Procédures qui, si elles ne sont pas suivies correctement, peuvent entraîner des dégâts matériels ET potentiellement un risque faible de blessures.

 **AVERTISSEMENT:** Lisez la TOTALITE du manuel d'utilisation afin de vous familiariser avec les caractéristiques du produit avant de le faire fonctionner. Une utilisation incorrecte du produit peut entraîner l'endommagement du produit lui-même, ainsi que des risques de dégâts matériels, voire de blessures graves.


Ceci est un produit de loisirs perfectionné. Il doit être manipulé avec prudence et bon sens et requiert quelques aptitudes de base en mécanique. Toute utilisation de ce produit ne respectant pas les principes de sécurité et de responsabilité peut entraîner des dégâts matériels, endommager le produit et provoquer des blessures. Ce produit n'est pas destiné à être utilisé par des enfants sans la surveillance directe d'un adulte. N'essayez pas de démonter le produit, de l'utiliser avec des composants incompatibles ou d'en améliorer les performances sans l'accord d'Horizon Hobby, LLC. Ce manuel comporte des instructions relatives à la sécurité, au fonctionnement et à l'entretien. Il est capital de lire et de respecter toutes les instructions et avertissements du manuel avant l'assemblage, le réglage ou l'utilisation afin de le manipuler correctement et d'éviter les dommages ou les blessures graves.

14+ 14 ans et plus. Ceci n'est pas un jouet.

Précautions et avertissements liés à la sécurité

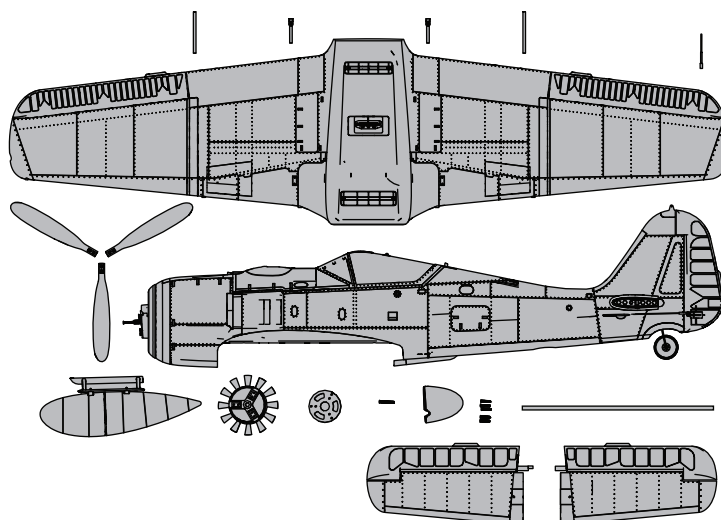
En tant qu'utilisateur de ce produit, il est de votre seule responsabilité de le faire fonctionner d'une manière qui ne mette en danger ni votre personne, ni de tiers et qui ne provoque pas de dommages au produit lui-même ou à la propriété d'autrui.

- Gardez une bonne distance de sécurité tout autour de votre modèle, afin d'éviter les collisions ou les blessures. Ce modèle est contrôlé par un signal radio, qui peut être soumis à des interférences provenant de nombreuses sources hors de votre contrôle. Une interférence peut provoquer une perte momentanée de contrôle.
- Faites toujours fonctionner votre modèle dans une zone dégagée, à l'écart de voitures, du trafic et des personnes.
- Respectez toujours scrupuleusement les instructions et les mises en garde concernant ce produit et tous les équipements optionnels/complémentaires (chargeurs, batteries rechargeables, etc.) que vous utilisez.
- Tenez tous les produits chimiques, les petites pièces et les composants électroniques hors de portée des enfants.
- Évitez toujours d'exposer à l'eau tout équipement non spécifiquement conçu et protégé à cet effet. L'humidité endommage les composants électroniques.
- Ne léchez et ne mettez jamais en bouche quelque partie de votre modèle que ce soit - risque de blessures graves voire danger de mort.
- Ne faites jamais fonctionner votre modèle lorsque les batteries de l'émetteur sont faibles.
- Gardez toujours le modèle à vue et gardez-en toujours le contrôle.
- Utilisez toujours des batteries complètement chargées.
- Gardez toujours l'émetteur sous tension lorsque le modèle est en marche.
- Enlevez toujours les batteries avant le démontage.
- Veillez toujours à ce que les pièces en mouvement soient propres.
- Veillez toujours à ce que toutes les pièces soient sèches.
- Laissez toujours le temps aux pièces de refroidir avant de les toucher.
- Enlevez toujours les batteries après utilisation.
- Assurez-vous toujours que la sécurité (failsafe) est configurée correctement avant de voler.
- Ne faites jamais voler un modèle dont le câblage est endommagé.
- Ne touchez jamais des pièces en mouvement.

 **AVERTISSEMENT CONTRE LES PRODUITS CONTREFAITS:** Si un jour vous aviez besoin de remplacer un récepteur Spektrum équipant un produit Horizon Hobby, achetez-le uniquement chez Horizon Hobby, LLC ou chez un revendeur officiel Horizon Hobby, vous serez sûr d'obtenir un produit Spektrum authentique de haute qualité. Horizon Hobby, LLC décline tout service et garantie concernant la compatibilité et les performances des produits contrefaits ou des produits clamant la compatibilité avec la technologie Spektrum ou le DSM.

Contenu de la boîte

Informations de démarrage rapide			
Configuration de l'émetteur	1. Modèle vierge (Acro)		
	2. Inversion du servo : Réglez tout sur normal		
	3. Réglage de la course (toutes surfaces): 100 %		
Dual Rates (double débattement)*		Grand débattement	Petit débattement
	Aileron	▲ = 13mm ▼ = 13mm	▲ = 10mm ▼ = 10mm
	Gouverne de profondeur	▲ = 10mm ▼ = 7mm	▲ = 7mm ▼ = 5mm
	Gouverne de direction	► = 25mm ◄ = 25mm	► = 18mm ◄ = 18mm
	Volets	Demi (décollage) ▼ = 15 mm	Entier (atterrissage) ▼ = 30 mm
Mixage profondeur à volet		Profondeur 8% vers le bas	Profondeur 15% vers le bas
Exponentiel (centre mou)		Grand débattement	Petit débattement
	Aileron	10%	5%
	Gouverne de profondeur	10%	5%
	Gouverne de direction	10%	5%
Centre de gravité (CG)	105-120mm depuis l'arrière du support de mitrailleuse intérieur au niveau du bord d'attaque.		
Réglage du minuteur de vol	Lors du premier vol, réglez la minuterie sur 3 minutes. Ajustez la durée en fonction de l'état de la batterie et du style de vol.		



Caractéristiques

	BNP BASIC	PNP PLUG-N-PLAY
Moteur : Moteur sans balais 4258-460 kV (SPMXAM1000)	Fourni	Fourni
ESC : Variateur ESC Smart 6S 100 A (SPMXAE1100)	Installé	Installé
Servos : Aileron : (2) Spektrum A430 ; fil de 150 mm Profondeur : (1) Spektrum A430 ; fil de 150 mm Gouverne de direction : (1) Spektrum A430 ; fil de 150 mm Volets : (2) Spektrum A430 ; fil de 330 mm	Installé	Installé
Récepteur : Récepteur télémetrique AS3X/SAFE 6 canaux Spektrum™ AR637T (SPMAR637T)	Installé	Nécessaire pour achever le montage
Batterie recommandée : Li-Po 5 000 mAh 6S 22,2 V Smart 30C IC5 (SPMX50006S30)	Nécessaire pour achever le montage	Nécessaire pour achever le montage
Chargeur de batterie recommandé : Chargeur à équilibrage pour batterie Li-Po à 6 cellules	Nécessaire pour achever le montage	Nécessaire pour achever le montage
Émetteur recommandé : pleine portée 2,4 GHz avec technologie Spektrum™ DSM2®/DSMX® à mixage programmable et doubles débattements ajustables	Nécessaire pour achever le montage	Nécessaire pour achever le montage

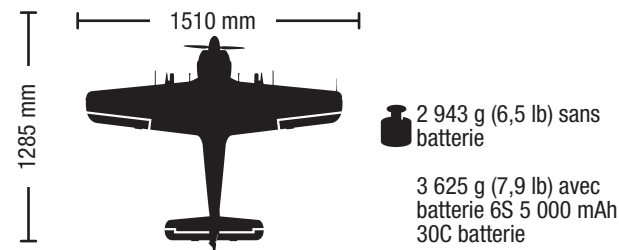


Table des Matières

Liste des opérations à effectuer avant le vol	43
Paramétrage de l'émetteur	43
Assemblage du modèle.....	44
Sélection et installation du récepteur pour PNP.....	47
Installation de la batterie et armement du contrôleur	48
Centrage des gouvernes et réglage des tringleries.....	49
Réglages aux guignols et au bras de servos.....	49
Affectation	50
Désignation du commutateur SAFE® Select.....	51
Télémetrie SMART Technology™	51
Test de contrôle de la direction	52
Essai de la réponse de l'AS3X.....	53
Centre de gravité (CG).....	53
Réglage des trims durant le vol.....	53
Conseils de vol et réparations	54
Conseils de vol en mode SAFE® Select.....	54
Maintenane d'après vol.....	55
Maintenance de la motorisation	55
Guide de dépannage AS3X.....	55
Guide de dépannage.....	56
Pièces de rechange	57
Pièces recommandées.....	57
Pièces facultatives.....	57
Garantie limitée	58
Informations de contact	58
Informations IC	59
Informations de conformité pour l'Union européenne	59

INFORMATIONS D'AFFECTATION DU RÉCEPTEUR

Canaux	6
Fréquence	2402-2478 MHz
Compatibilité	DSM2 et DSMX

Liste des opérations à effectuer avant le vol

1	Retirez et inspectez tous les éléments.
2	Lisez attentivement ce manuel d'utilisation.
3	Chargez la batterie de vol.
4	Configurez l'émetteur à l'aide du tableau de configuration de l'émetteur.
5	Assemblez complètement l'avion.
6	Installez la batterie de vol dans l'avion (après l'avoir entièrement chargée).
7	Vérifiez le centre de gravité (CG).

8	Affectez l'avion à votre émetteur.
9	Assurez-vous que les tringleries bougent librement.
10	Effectuez le test de direction des commandes avec l'émetteur.
11	Effectuez le test de direction des commandes AS3X avec l'avion.
12	Réglez les commandes de vol et l'émetteur.
13	Effectuez un test de portée du système radio.
14	Trouvez une zone de vol ouverte sécurisée.
15	Prévoyez votre vol dans les conditions d'un terrain de vol.

Paramétrage de l'émetteur

IMPORTANT: Après avoir programmé votre modèle, toujours effectuer une affectation pour revalider les positions de FailSafe.

IMPORTANT : Le récepteur inclus a été spécifiquement programmé pour être utilisé dans cet appareil. Si vous souhaitez utiliser le récepteur AR637T dans un autre appareil, visitez le site spektrumrc.com pour obtenir des instructions de reprogrammation.

Si votre émetteur le permet, activez la fonction de Throttle Cut (Arrêt du moteur). Activez toujours le Throttle Cut (Arrêt du moteur) avant d'approcher l'appareil.

Double-débattements

Effectuez les premiers vols en petits débattements.

REMARQUE: Afin d'assurer le fonctionnement optimal du système AS3X, n'utilisez pas des valeurs de débattements inférieures à 50%. Si vous souhaitez utiliser des débattements plus faibles, ajustez manuellement la position de la tringlerie sur les bras de servo.

REMARQUE: Si une oscillation se produit à vitesse élevée, consultez le guide de dépannage pour des informations complémentaires.

Expo

Après les premiers vols, vous pourrez ajuster l'expo à l'émetteur.

Configuration de la télémétrie de l'émetteur

Si l'émetteur que vous souhaitez utiliser avec cet appareil n'affiche pas les données télémétriques, rendez-vous sur spektrumrc.com et procédez à la mise à jour du micrologiciel. Une fois la dernière version installée sur votre émetteur, l'option de télémétrie devrait être fonctionnelle.

Paramètre pour émetteur programmable (DX6e†, DX6†, DX7, DX7S, DX8, DX8e, DX9, DX10t, DX18, DX20, iX12 and iX20)	
Débutez la programmation à partir d'une mémoire modèle Avion vierge (Effectuez un reset de la mémoire modèle), puis nommez le modèle.	
Réglez les valeurs Aileron, Elevator (élevateur) et Rudder Dual Rates (double débattement de la gouverne) sur :	GRANDS 100% PETITS 70%
Réglez la course des servos sur	100%
Course des servos	-100%
DX7S DX8	1. Allez dans les PARAMETRES DU SYSTEME
	2. Dans TYPE DE MODELE sélectionnez AVION
	3. Dans TYPE D'AILE sélectionnez : 1 AIL 1 VOLET
	4. Allez dans la LISTE DES FONCTIONS
	5. Dans SYSTEME DES VOLETS : Sélectionnez VOLETS NORM: -100% VOLET MILIEU: +20% VOLET ATTER: +100% VOLET VITESSE 2.0s: Inter VOLETS
DX6e† DX6 (Gen2)† DX7 (Gen2) DX8 (Gen2) DX8e DX9 DX10t DX18 DX20 iX12† iX20† NX6 NX8 NX10	1. Allez dans les PARAMETRES DU SYSTEME (Configuration de modèle)†
	2. Dans TYPE DE MODELE sélectionnez AVION
	3. Dans TYPE D'APPAREIL sélectionnez (Configuration du modèle, Type d'aeronef)†: 1 AIL 1 VOLET
	4. Allez dans la LISTE DES FONCTIONS (Adjustement du modèle)
	5. Dans SYSTEME DES VOLETS : Sélectionnez Inter : D POS 0: -100% VOLET POS 1: +20% VOLET POS 2: +100% VOLET VITESSE: 2s

† Certaines des terminologies et des localisations des fonctions utilisées dans la programmation iX12 peuvent être légèrement différentes des autres radios Spektrum AirWare™. Les noms donnés entre parenthèses correspondent à la terminologie de programmation iX12. Consultez le manuel de votre émetteur pour obtenir des informations spécifiques sur la programmation de votre émetteur.

* Les réglages fournis ci-dessus pour le DX6 et DX6e ne permettent pas l'utilisation d'un commutateur SAFE Select. Pour utiliser un commutateur SAFE Select sur ces systèmes, consultez la section ci-dessous pour les informations de fonctionnement et de configuration de l'émetteur.

Assemblage du modèle

Installation du stabilisateur horizontal

1. Glissez le tube de l'empennage horizontal (A) dans le trou situé à l'arrière du fuselage.
2. Installez l'empennage horizontal en deux pièces (gauche et droite) comme illustré. Assurez-vous que le guignol de commande est orienté vers le bas.
3. Fixez l'empennage horizontal en deux pièces en position en utilisant les 2 vis (M3 x 10 mm) (B) fournies.
4. Fixez l'articulation à bille (C) au trou le plus éloigné du renvoi de commande de la gouverne de profondeur à l'aide de la vis (M2 x 8 mm) fournie. Utilisez une clé à six pans de 2 mm pour serrer l'écrou et la vis.

Démontez dans l'ordre inverse.

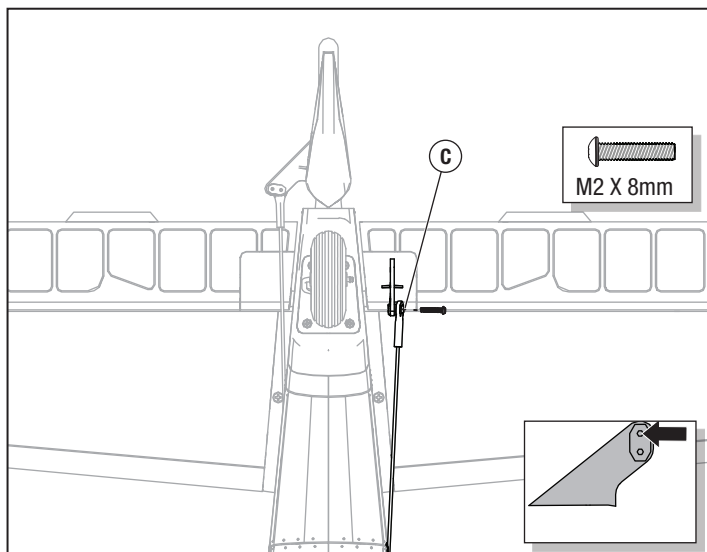
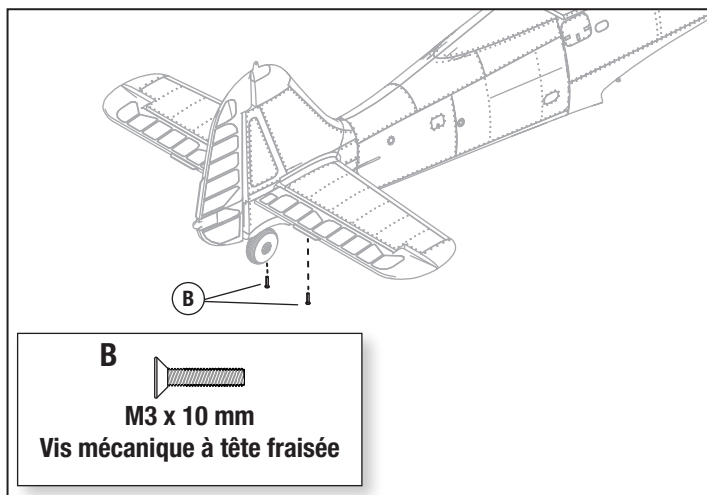
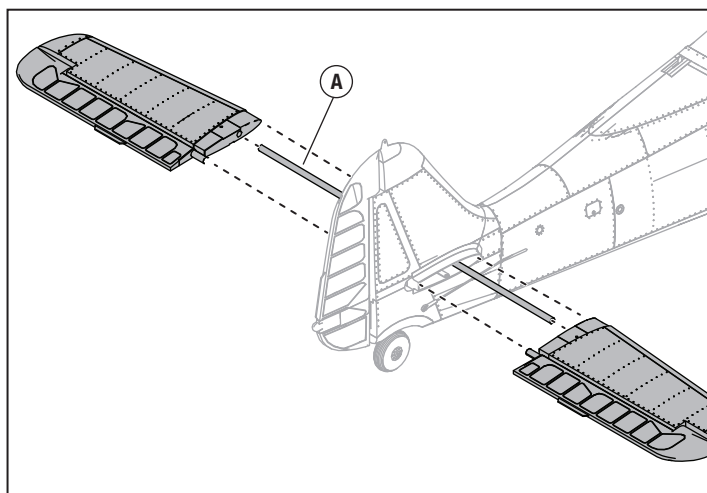


Tableau des vis

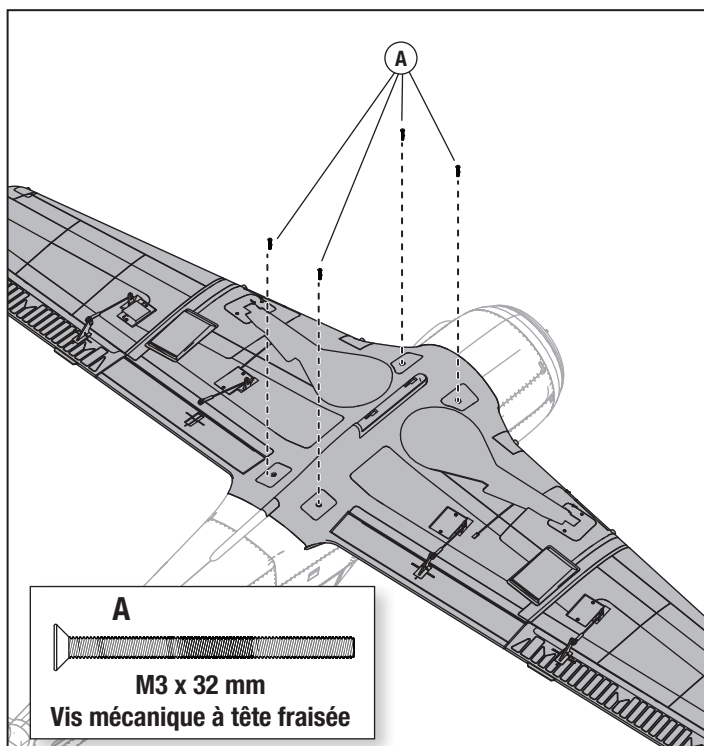
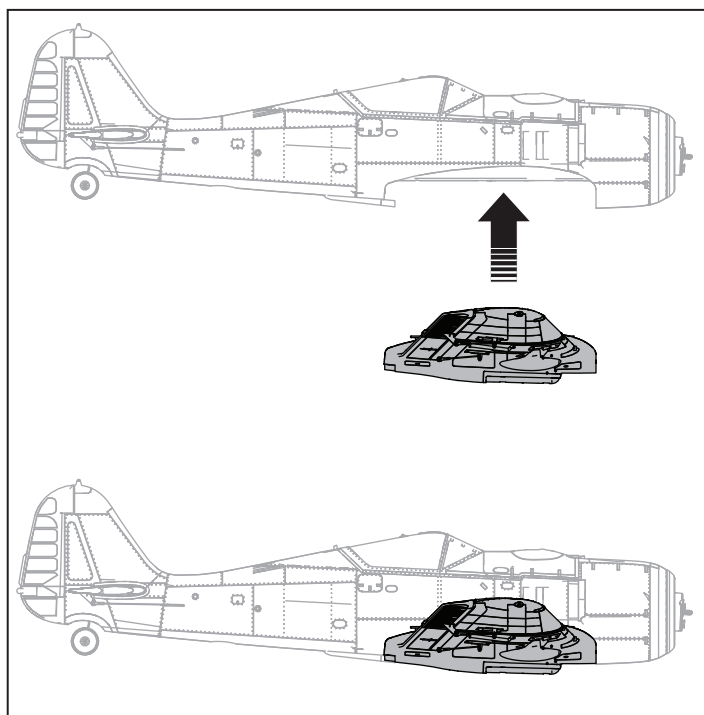
Location (Emplacement)	Taille	Nombre de vis
Vis de liaison à bille de profondeur	M2 x 8 mm	1
Vis de l'aile	M3 x 32 mm	4
Vis du stabilisateur horizontal	M3 x 10 mm	2
Vis du cône	M3 x 32 mm	1
Vis de l'hélice	M3 x 16 mm	6
Vis de montage de la roue de queue	5 cm x 20 cm (2,0 po x 8 po)	4
Vis de fiche de servo mains libres	5 cm x 20 cm (2,0 po x 8 po)	8
Vis de cache de servo	5 cm x 20 cm (2,0 po x 8 po)	8
Vis de cache de la trappe du train d'atterrissage (intérieur)	5 cm x 30 cm (2,0 po x 12 po)	16
Vis de cache de la trappe du train d'atterrissage (extérieur)	5 cm x 15 cm (2,0 po x 6 po)	2
Vis de support de cache de rentrée	5 cm x 20 cm (2,0 po x 8 po)	4
Vis de moyeu d'axe de roue	10 cm x 63,5 cm (4,0 po x 25 po)	2
Vis de support de moteur de rentrée	7 cm x 40 cm (3,0 po x 16 po)	8
Vis de prise d'aile	5 cm x 20 cm (2,0 po x 8 po)	16
X vis de support	7 cm x 40 cm (3,0 po x 16 po)	4
Vis de support moteur	10 cm x 25 cm (4,0 po x 10 po)	4
Vis de manille de liaison à bille	5 cm x 20 cm (2,0 po x 8 po)	6

Assemblage du modèle *Suite*

Installation des ailes

1. Alignez le raccordement de servo mains libres et enfoncez l'aile dans le pontet d'aile.
2. Fixez l'aile en position grâce aux 4 vis incluses (M3 x 32 mm) (A). Utilisez une clé à six pans de 2 mm pour serrer la vis.

Démontez dans l'ordre inverse.



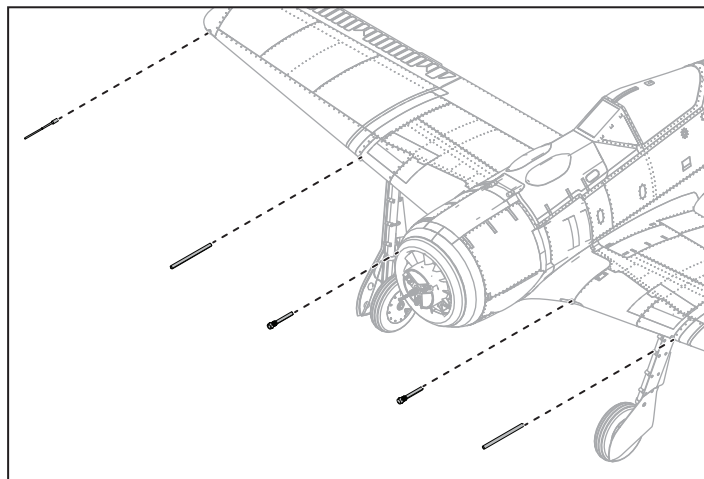
Suite →

Assemblage du modèle *Suite*

Installation des canons, des mitrailleuses et du tube de Pitot

1. Installez les canons, les mitrailleuses et le tube de Pitot sur l'aile en les vissant à leurs emplacements, comme illustré.

Démontez dans l'ordre inverse.

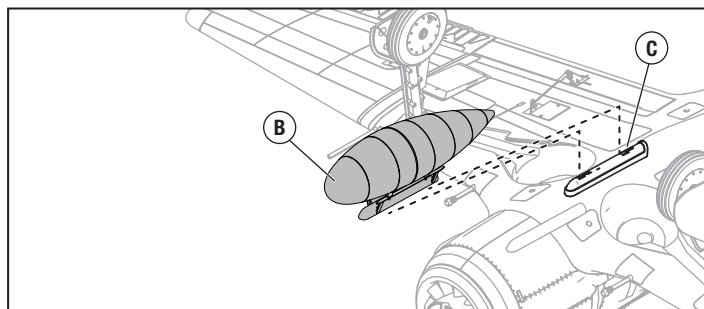
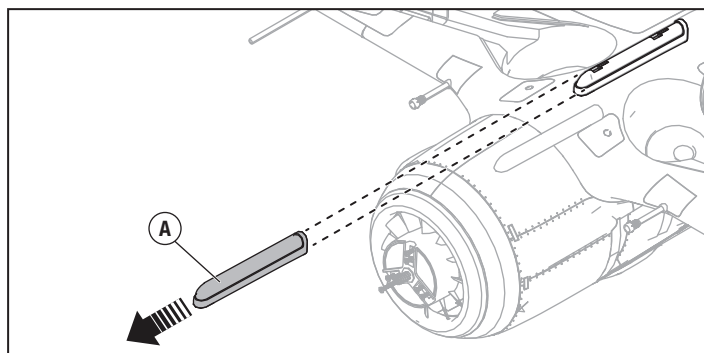


Installation du réservoir largable en option

1. Retirez le cache de support du réservoir largable (A) du support en faisant glisser le cache vers l'avant.
2. Faites glisser le réservoir largable facultatif (B) dans le rail (C) en bas du fuselage.

Vérifiez le centre de la gravité une fois le réservoir largable installé.
Pour plus d'informations, consultez les instructions de Réglage du centre de gravité.

Démontez dans l'ordre inverse.



Installation de l'hélice

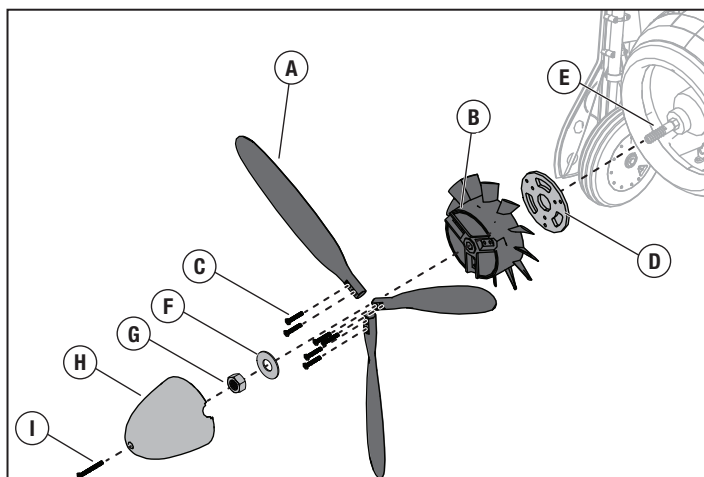
AVERTISSEMENT : Ne pas installer l'hélice tant que tous les réglages du système n'ont pas été effectués. Le non-respect de cet avertissement peut entraîner des blessures graves.

1. Installez la plaque arrière à vis en aluminium (D) à l'arrière du moyeu du ventilateur de refroidissement (B).
2. Installez les 3 pales de l'hélice (A) sur le moyeu du ventilateur de refroidissement à l'aide de 6 vis (M3 x 16 mm) (C).

CONSEIL : Les trous de vis biseautés de l'hélice doivent être orientés vers l'extérieur du moyeu du ventilateur de refroidissement pour un fonctionnement correct.

CONSEIL : avant d'installer le moyeu du ventilateur de refroidissement, assurez-vous que les fils du variateur ESC n'interfèrent pas avec les pales du ventilateur de refroidissement. Rentez les fils du variateur ESC dans l'ouverture du variateur ESC loin des pales du ventilateur de refroidissement.

3. Faites glisser le moyeu du ventilateur de refroidissement de l'hélice sur l'arbre de l'hélice (E). Assurez-vous que l'orifice hexagonal du moyeu du ventilateur de refroidissement est correctement inséré sur la prise hexagonale de l'arbre de l'hélice.
4. Installez la rondelle de l'hélice (F) et l'écrou de l'hélice (G) sur l'arbre de l'hélice. Avec une clé, fixez l'assemblage du moyeu du ventilateur de refroidissement de l'hélice à l'arbre de l'hélice. Il est important de placer le moyeu du ventilateur de refroidissement de l'hélice sur la prise hexagonale de l'arbre de l'hélice.
5. Alignez le cône (H) sur l'assemblage du ventilateur de refroidissement de l'hélice. Fixez avec une vis (M3 x 32) (I). Remarque : veillez à ne pas trop serrer la vis du cône et à ne pas déformer le cône.



C



M3 x 16 mm

Vis mécanique à tête fraisée

I



M3 x 32 mm

Vis mécanique à tête fraisée

Sélection et installation du récepteur pour PNP

Le récepteur recommandé pour cet appareil est le Spektrum AR637T. Si vous souhaitez installer un récepteur différent, assurez-vous qu'il s'agit au moins d'un récepteur à 6 canaux de pleine portée. Consultez le manuel du récepteur choisi pour découvrir les instructions correctes sur l'installation et le fonctionnement.

Installation du récepteur AR637T

1. Faites glisser le loquet de la verrière (A) vers l'arrière et soulevez l'arrière de la verrière pour la retirer du fuselage.
2. Fixez les gouvernes appropriées sur leurs ports respectifs du récepteur à l'aide du tableau de droite.
3. Utilisez du ruban adhésif double face pour servo (non inclus) pour monter le récepteur sur la zone plate derrière le compartiment de la batterie, comme indiqué. Le récepteur doit être monté dans le sens indiqué, de manière parallèle à la longueur du fuselage, avec l'étiquette vers le haut et les ports du servo vers l'avant de l'appareil. L'orientation du récepteur est essentielle pour toutes les configurations de technologie AS3X® et SAFE®.

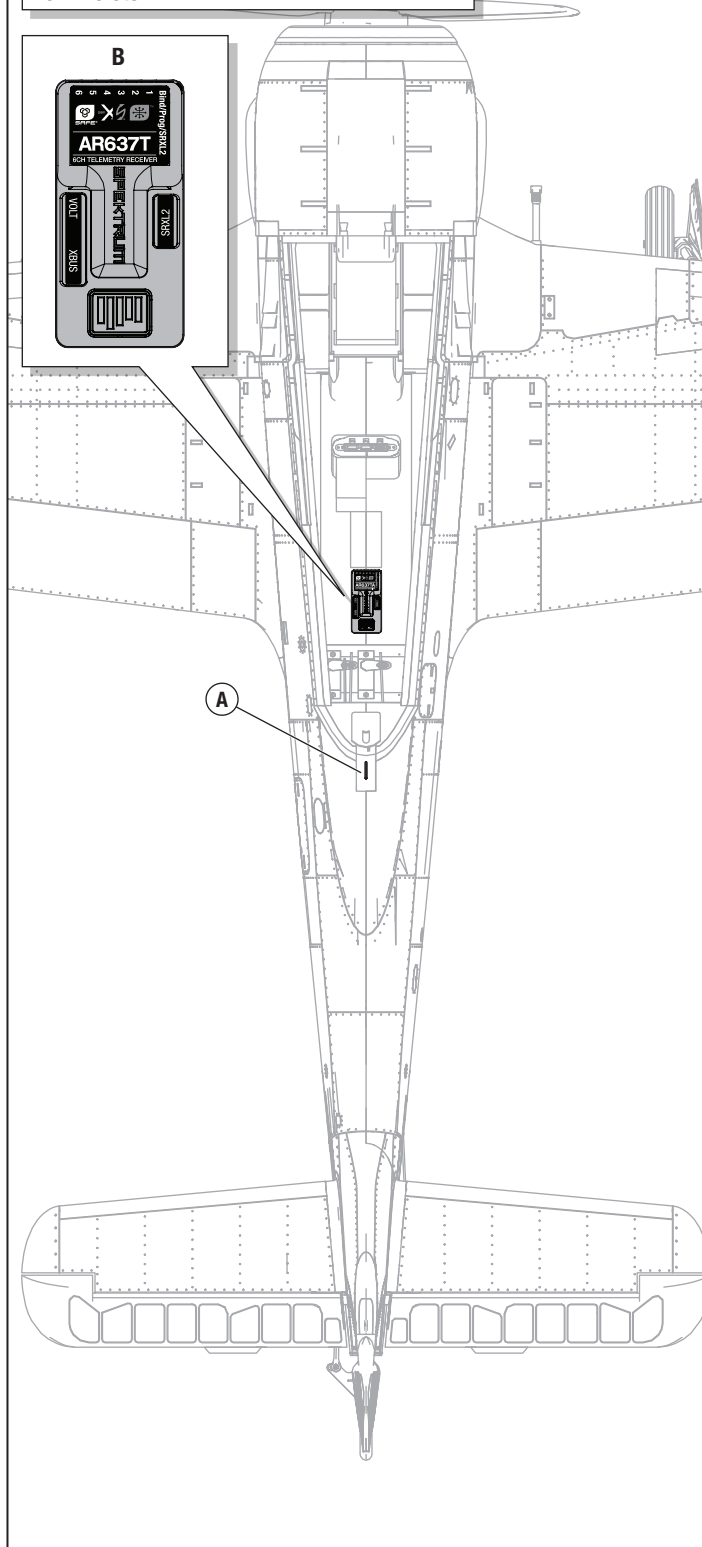


ATTENTION : l'installation incorrecte du récepteur peut provoquer un crash.

Attribution des ports de l'AR637T

BND/PRG = AFFECTATION

- 1 = Gaz
- 2 = Aileron
- 3 = Gouverne de profondeur
- 4 = Gouverne de direction
- 5 = Retracts (systèmes de rentrée)
- 6 = Volets



Installation de la batterie et armement du contrôleur

Choix de la batterie

Nous recommandons d'utiliser la batterie au Li-Po 5 000 mAh 22,2 V 6S 30C (SPMX50006S30). Consultez la liste des pièces en option pour les autres batteries recommandées. Si vous utilisez une autre batterie que celles indiquées, elle doit être dans la même gamme de capacité, de dimensions et de poids que les packs de batteries au Li-Po Spektrum Smart pour s'insérer dans le fuselage. Assurez-vous que la maquette est équilibrée au CG recommandé.

1. Placez le manche et le trim des gaz en position basse. Mettez l'émetteur sous tension et patientez 5 secondes.
2. Faites glisser le loquet de la verrière vers l'arrière et soulevez l'arrière de la verrière (A) pour la retirer.
3. Tirez le support batterie (B) hors du compartiment batterie.
4. Pour plus de sécurité, appliquez le côté doux de la bande auto-agrippante optionnelle (C) sous la batterie et le côté dur sur le support batterie.
5. Installez la batterie complètement chargée (D) sur le bord avant du support batterie comme sur l'illustration et fixez-la à l'aide des sangles auto-agrippantes (E).

CONSEIL : Avec la plupart des batteries Li-Po 6S 5 000 mAh 30C, installez la batterie loin en arrière dans le plateau de batterie. La batterie surplombera l'avant du plateau de batterie et se trouvera près de la face arrière du pare-feu.

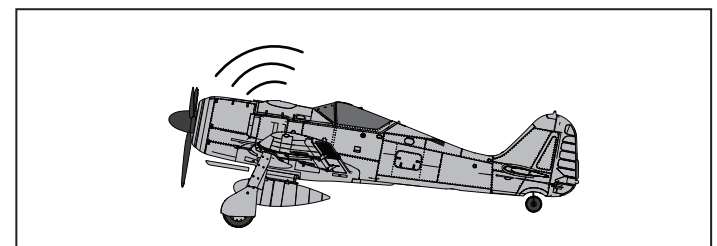
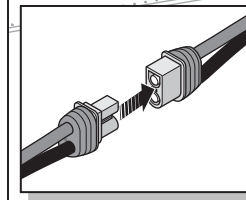
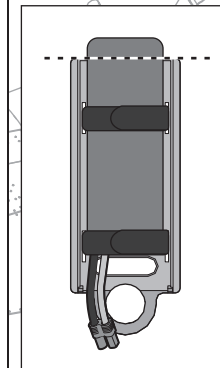
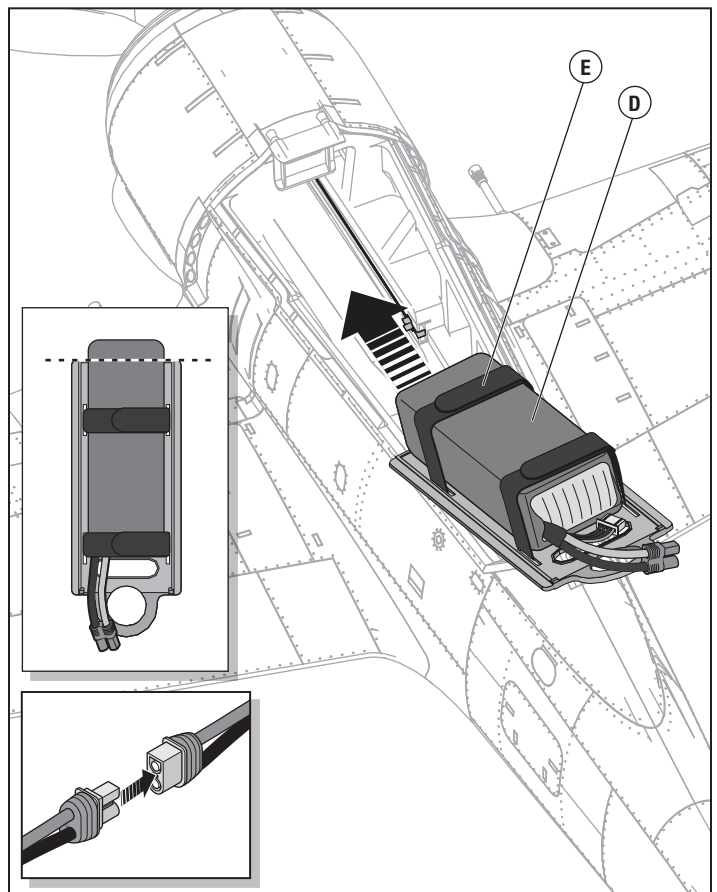
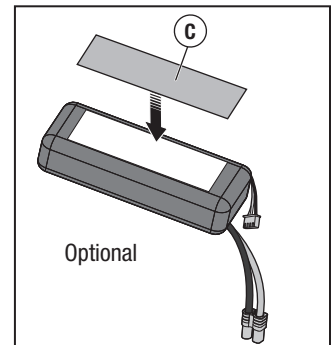
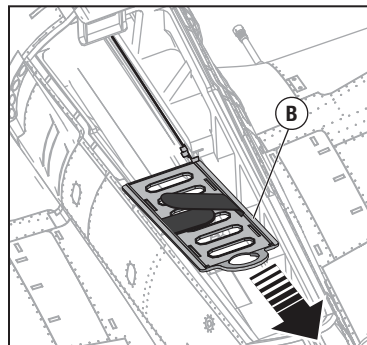
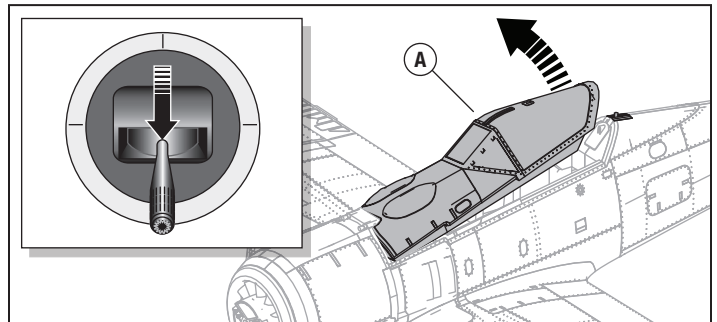
6. Alignez le support batterie avec les repères du compartiment batterie et glissez le support jusqu'à ce qu'il se verrouille.
7. Connectez la batterie au contrôleur (Le contrôleur est maintenant armé).
8. Gardez l'avion immobile à l'écart du vent, sinon le système ne s'initialisera pas.
 - Le contrôleur émettra une série de tonalités (Référez-vous à l'étape 6 des instructions d'affectation pour des informations complémentaires).
 - Une DEL du récepteur va s'allumer.

Si le contrôleur émet un double-bip en continu après la connexion de la batterie, rechargez ou remplacez la batterie.

9. Remplacez la trappe à batterie.

AVERTISSEMENT : tenez toujours vos mains éloignées de l'hélice. Une fois armé, le moteur fait tourner l'hélice en réponse à tout déplacement de la manette des gaz.

AVERTISSEMENT : Si votre émetteur le permet, enclenchez toujours l'arrêt de la commande des gaz avant d'approcher de l'appareil chaque fois qu'une batterie est connectée.



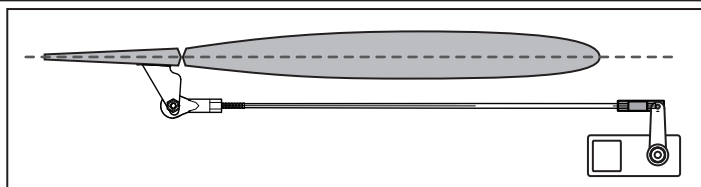
Centrage des gouvernes et réglage des tringleries

IMPORTANT: Effectuez un test de direction des gouvernes avant de centrer les gouvernes.

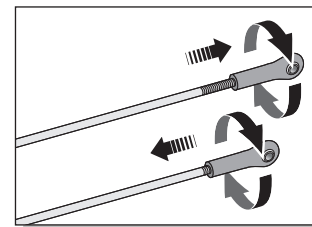
Centrez mécaniquement les gouvernes pendant que l'AS3X est inactif (avant d'augmenter les gaz).

IMPORTANT: Pour un fonctionnement optimal de l'AS3X, les sub-trims et les trims doivent être à 0.

Après l'affectation de l'émetteur au récepteur, placez les trims et les sub-trims à 0, contrôlez que les bras des servos sont correctement positionnés, puis réglez les tringleries afin de centrer les gouvernes.



- Faites tourner la chape dans le sens horaire ou anti-horaire jusqu'au centrage de la gouverne.
- Fixez la tringlerie au bras du servo ou au guignol une fois que la tringlerie est réglée.



Réglages aux guignols et au bras de servos

Le tableau de droite représente les positions par défaut des tringleries aux guignols et aux bras de servos. Effectuez le premier vol avec ces réglages par défaut avant d'effectuer des modifications.

REMARQUE: Si les courses sont modifiées, les valeurs de gain de l'AR637T devront être ajustées. Consultez le manuel du Spektrum AR637T pour effectuer l'ajustement des valeurs de gain.

Après le premier vol, vous pourrez ajuster la position des tringleries pour obtenir la réponse désirée. Consultez le tableau ci-dessous.

	Guignols	Bras de servos
Profondeur		
Ailerons		
Dérive		Roue de queue
Volets		

More control throw	Less control throw

Affectation

Conseils généraux pour l'affectation

- Le récepteur inclus a été spécifiquement programmé pour être utilisé avec cet appareil. Reportez-vous au manuel du récepteur pour la configuration appropriée en cas de remplacement de celui-ci.
- Éloignez-vous des larges objets métalliques lors de l'affectation.
- Ne pointez pas l'antenne de l'émetteur directement en direction du récepteur lors de l'affectation.
- Le témoin orange sur le récepteur clignote rapidement lorsque le récepteur passe en mode d'affectation.
- Une fois affecté, le récepteur conservera ses réglages d'affectation pour cet émetteur jusqu'à ce que vous effectuiez une nouvelle affectation.
- En cas de perte de communication entre le récepteur et l'émetteur, le mode sécurité intégrée est activé. La sécurité intégrée fait passer le canal des gaz à la position de faible ouverture des gaz. Les canaux de tangage et de roulis se déplacent pour niveler l'appareil en vol.
- En cas de problème, consultez le guide de dépannage ou, si besoin, contactez le service après-vente d'Horizon adéquat.

Technologie SAFE Select, protection de l'enveloppe de vol en option

La version BNF Basic de cet appareil comporte la technologie SAFE Select, qui vous permet de choisir le niveau de protection en vol. Le mode SAFE comprend des limiteurs d'angles et une stabilisation automatique. Le mode AS3X donne au pilote une réponse directe aux manches de commande. SAFE Select est activé ou désactivé lors du processus d'affectation.

Avec SAFE Select désactivé, l'appareil est toujours en mode AS3X. Avec SAFE Select activé, l'appareil est constamment en mode SAFE Select, ou un commutateur peut être attribué pour basculer entre le mode SAFE Select et le mode AS3X.

Grâce à la technologie SAFE Select, cet appareil peut être configuré pour être constamment en mode SAFE, constamment en mode AS3X, ou le choix du mode peut être attribué à un commutateur.

IMPORTANT : Avant de procéder à l'affectation, lisez attentivement la section Configuration de l'émetteur de ce manuel et complétez le tableau de configuration de l'émetteur afin de programmer correctement l'émetteur pour cet appareil.

IMPORTANT : Placez les commandes de vol de l'émetteur (gouverne de direction, gouvernes de profondeur, et ailerons) et le trim des gaz en position neutre. Mettez les gaz sur faible ouverture avant et pendant l'affectation.

Vous pouvez utiliser le bouton d'affectation sur le boîtier du récepteur ou la prise d'affectation classique pour terminer l'affectation et la configuration de SAFE Select.

Remarque : Si vous utilisez le circuit BEC auxiliaire raccordé au variateur ESC installé dans le port d'affectation du récepteur, débranchez-le pour utiliser la prise d'affectation.

Avec le bouton d'affectation

SAFE Select activé

Baissez la manette des gaz → Branchez l'alimentation → Maintenez appuyé le bouton d'affectation

Témoin orange clignotant → Affectez l'émetteur au récepteur → Relâchez le bouton d'affectation

SAFE Select activé : Les surfaces de commande effectuent **deux** cycles d'avant en arrière avec une légère pause en position neutre chaque fois que le récepteur est allumé.

SAFE Select désactivé

Baissez la manette des gaz → Branchez l'alimentation → Appuyez sur le bouton d'affectation

Témoin orange clignotant → Relâchez le bouton d'affectation → Affectez l'émetteur au récepteur

SAFE Select désactivé : Les surfaces de commande effectuent **un** cycle d'avant en arrière chaque fois que le récepteur est allumé.

Avec la prise d'affectation

SAFE Select activé

Installez la prise d'affectation → Baissez la manette des gaz → Branchez l'alimentation

Témoin orange clignotant → Débranchez la prise d'affectation → Affectez l'émetteur au récepteur

SAFE Select activé : Les surfaces de commande effectuent **deux** cycles d'avant en arrière avec une légère pause en position neutre chaque fois que le récepteur est allumé.

SAFE Select désactivé

Installez la prise d'affectation → Baissez la manette des gaz → Branchez l'alimentation

Témoin orange clignotant → Affectez l'émetteur au récepteur → Débranchez la prise d'affectation

SAFE Select désactivé : Les surfaces de commande effectuent **un** cycle d'avant en arrière chaque fois que le récepteur est allumé.

*Sécurité intégrée

En cas de perte de communication entre le récepteur et l'émetteur, le mode sécurité intégrée est activé. Une fois activé, le mode sécurité intégrée fait passer le canal des gaz vers sa position de sécurité intégrée (faible ouverture des gaz) préconfigurée au moment de l'affectation. Tous les autres canaux bougent de manière collective et active pour tourner l'avion en une descente lente.

Désignation du commutateur SAFE® Select

Une fois SAFE Select activé, vous pouvez choisir de voler continuellement en mode SAFE ou d'attribuer la fonction à un commutateur. N'importe quel commutateur sur n'importe quel canal entre 5 et 9 peut être utilisé sur votre émetteur.

CONSEIL : Si le modèle a une fonction ESC inversée, AUX2 n'est pas disponible pour SAFE Select.

Si l'appareil est affecté avec le mode SAFE Select désactivé, l'appareil est uniquement en mode AS3X.

ATTENTION : maintenez toutes les parties du corps loin de l'hélice et gardez l'appareil solidement immobilisé en cas d'activation accidentelle des gaz.

IMPORTANT : pour pouvoir attribuer la fonction à un commutateur, il est d'abord nécessaire de vérifier :

- L'appareil a été affecté avec le mode SAFE Select activé.
- Votre choix du commutateur SAFE Select est attribué à un canal entre 5 et 9 (Train, Aux. 1-4), et la course est paramétrée sur 100 % dans chaque direction.
- L'aileron, la gouverne de profondeur, la gouverne de direction et la direction des gaz sont paramétrés sur normal, pas inversion.
- L'aileron, la gouverne de profondeur, la gouverne de direction et les gaz sont paramétrés sur une course à 100 %. Si des doubles débattements sont utilisés, les commutateurs doivent être en position 100 %.

Consultez le manuel de votre émetteur pour obtenir plus d'informations sur l'attribution d'un commutateur à un canal.

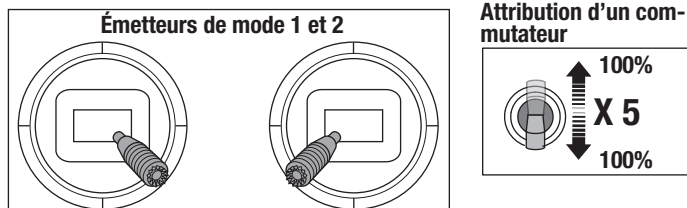
CONSEIL : si vous souhaitez un commutateur SAFE Select pour votre appareil à 6 fonctions, et si vous utilisez un émetteur à 6 canaux, le canal du commutateur SAFE Select devra être partagé avec soit le canal 5 soit le canal 6 de l'émetteur. Cela ne s'applique pas au NX6. Veuillez vous reporter au manuel d'utilisation du NX6 pour en savoir plus.

Attribution d'un commutateur

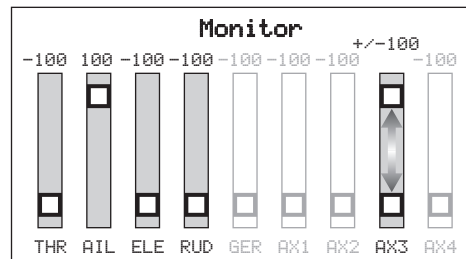
1. Mettez l'émetteur en marche.
2. Mettez l'avion en marche.
3. Maintenez les deux manches de l'émetteur vers les coins inférieurs à l'intérieur et faites basculer rapidement 5 fois le commutateur souhaité (1 basculement = entièrement vers le haut et vers le bas).
4. Les gouvernes de l'appareil se déplaceront, indiquant que le commutateur a été sélectionné.

Répétez l'opération pour attribuer un commutateur différent ou pour désactiver le commutateur actuel.

Positions des manches pour l'attribution du commutateur SAFE Select



CONSEIL : utilisez le moniteur de canal pour vérifier le mouvement de canal.



Cet exemple de moniteur de canal montre les positions des manches pour l'attribution d'un commutateur, la sélection du commutateur sur Aux3 et une course +/- 100 % sur le commutateur.

Télémetrie SMART Technology™

Cet avion est doté de Spektrum SMART Technology dans l'ESC et le récepteur, ce qui permet de communiquer certaines informations télémétriques, telles que la tension de la batterie et la température. Pour tirer profit de SMART Technology, vous devez posséder un émetteur compatible. La mise à jour du micrologiciel de votre émetteur pourra être nécessaire.

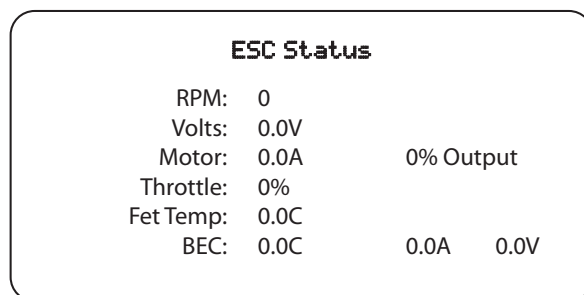
Pour pouvoir accéder à toutes les fonctionnalités disponibles de SMART Technology, utilisez des batteries Spektrum SMART pour alimenter cet avion. Outre les données de l'ESC, les batteries Spektrum SMART peuvent communiquer des données détaillées sur les batteries par le biais du système SMART Technology.

Pour afficher la télémétrie SMART :

1. Commencez avec l'émetteur affecté au récepteur
2. Mettez l'émetteur en marche.
3. Mettez l'avion en marche.
4. Le logo SMART apparaît sous le logo de la batterie sur la page d'accueil. Une barre de signal s'affiche dans le coin supérieur gauche de l'écran. *
5. Faites défiler au-delà du moniteur de servo pour afficher les écrans de SMART Technology.

* Si l'émetteur que vous souhaitez utiliser avec cet appareil n'affiche pas les données télémétriques, rendez-vous sur Spektrumrc.com et procédez à la mise à jour du micrologiciel. Une fois la dernière version installée sur votre émetteur, l'option de télémétrie devrait être fonctionnelle.

Pour plus d'informations sur les émetteurs compatibles, les mises à jour du micrologiciel et l'utilisation de SMART Technology sur votre émetteur, consultez SpektrumRC.com.



Test de contrôle de la direction

Allumez l'émetteur et raccordez la batterie. Utilisez l'émetteur pour commander l'aileron, la gouverne de profondeur et la gouverne de direction. Regardez l'appareil de l'arrière pour vérifier les directions de commande.

La version BNF Basic de ce modèle a un mixage gouvernail-aileron intégré, lorsque les ailerons sont déviés, le gouvernail se déplace.

Gouvernes de profondeur

1. Tirez le manche de la gouverne de profondeur en arrière. Les gouvernes de profondeur s'élèvent, ce qui fera cabrer l'appareil.
2. Poussez le manche de la gouverne de profondeur vers l'avant. Les gouvernes de profondeur s'abaissent, ce qui fera descendre l'appareil.

Ailerons


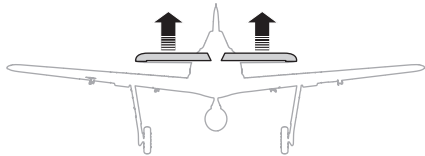

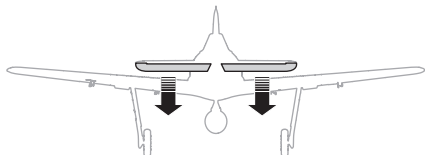
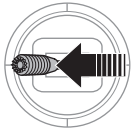

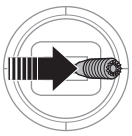

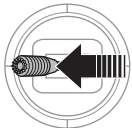
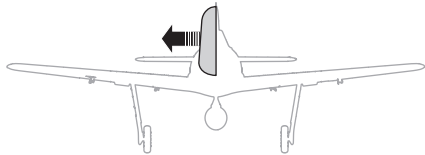
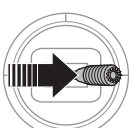
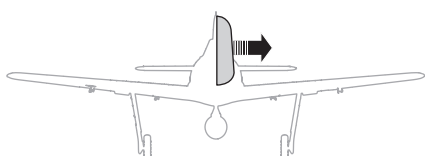
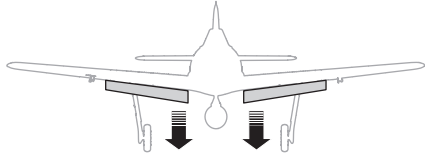
1. Déplacez le manche de l'aileron vers la gauche. Les ailerons gauche s'élèvent et les ailerons droit s'abaissent, ce qui fera se pencher l'appareil vers la gauche.
2. Déplacez le manche de l'aileron vers la droite. Les ailerons droit s'élèvent et les ailerons gauche s'abaissent, ce qui fera se pencher l'appareil vers la droite.

Gouverne de direction

1. Déplacez le manche de la gouverne de direction vers la gauche. La gouverne se déplace vers la gauche, ce qui fera effectuer à l'appareil un lacet vers la gauche.
2. Déplacez le manche de la gouverne de direction vers la droite. La gouverne se déplace vers la droite, ce qui fera effectuer à l'appareil un lacet vers la droite.

Volets

1. Placez votre interrupteur de commande du volet vers le bas en position « Volets entièrement sortis ».
2. Con rmez que les volets des ailes se déplacent vers le bas.
3. Placez l'interrupteur de commande du volet en position « Volets entièrement sortis ».
4. Con rmez que les volets descendent plus bas qu'à l'étape deux.

	Commande de l'émetteur	Réponse des gouvernes
Profondeur		
		
Aileron		
		
Dérive		
		
Volets		

Essai de la réponse de l'AS3X

Ce test permet de contrôler le fonctionnement correct du système AS3X. Assemblez l'avion et affectez-le à votre émetteur avant d'effectuer ce test.

1. Pour activer l'AS3X, placez le manche des gaz juste au dessus des 25% de sa course, puis replacez-le en position basse.

ATTENTION : Maintenez les parties du corps, les cheveux et les vêtements amples loin des hélices en mouvement, car ces éléments pourraient s'emmêler.

IMPORTANT: La programmation de l'AR637T est prévue pour augmenter les débattements quand les volets sont en position basse.

2. Déplacez l'avion comme sur les illustrations pour contrôler que le système AS3X oriente les gouvernes dans une direction correcte. Si les gouvernes ne répondent pas comme sur les illustrations, ne faites pas voler l'avion. Référez-vous au manuel du récepteur pour des informations complémentaires.

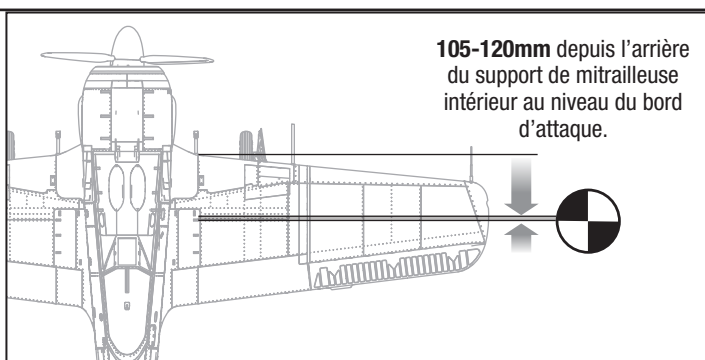
Une fois que le système AS3X est activé, les gouvernes peuvent s'agiter rapidement. Il s'agit d'une réaction normale. L'AS3X restera activé jusqu'à la déconnexion de la batterie.

	Mouvement de l'avion	Réaction de l'AS3X
Profondeur		
Ailerons		
Dérive		

Centre de gravité (CG)

L'emplacement du CG est mesuré depuis l'arrière du support de mitrailleuse intérieur au niveau du bord d'attaque avec l'appareil à l'envers. L'emplacement du CG a été déterminé avec la batterie Li-Po recommandée (SPMX50006S30) installée entièrement vers l'avant dans le support de batterie. La batterie surplombera l'avant du plateau de batterie et se trouvera près de la face arrière du parefeu.

AVERTISSEMENT : Installez la batterie, mais n'armez pas le variateur ESC en vérifiant le CG. Vous risqueriez de vous blesser.

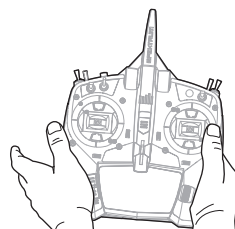


Réglage des trims durant le vol

Effectuez le réglage des trims durant le premier vol, placez l'avion en palier à 3/4 des gaz avec les volets et train rentrés. Effectuez de petites corrections aux trims pour obtenir une trajectoire parfaitement rectiligne.

Après avoir effectué le réglage des trims, ne plus toucher les manches durant 3 secondes. Le récepteur enregistre les nouveaux réglages pour optimiser l'efficacité de l'AS3X.

Les qualités de vol seront altérées si cette procédure n'est pas respectée.



3 Seconds

Conseils de vol et réparations

Consultez les lois et règlements locaux avant de choisir un emplacement pour faire voler votre avion.

Contrôlez la portée de votre radio

Veuillez contrôler la portée de votre radio avant d'effectuer un vol. Référez-vous aux instructions spécifiques de votre émetteur.

Comprendre les oscillations

Quand le système AS3X est activé (après la première mise de gaz), vous devez normalement voir les gouvernes réagir aux mouvements de l'avion. Dans certaines conditions de vol, vous verrez peut être des oscillations (l'avion part en arrière puis en avant sur un axe à cause d'un gain trop important). Si une oscillation apparaît, ralentissez l'avion. Vérifiez que l'avion est bien en mode de vol général pour voler aux vitesses les plus élevées. Si l'oscillation persiste, référez-vous au guide de dépannage pour des informations complémentaires.

Décollage

Placez l'avion en position de décollage (vent de face). Réglez votre émetteur en petits débattements et sortez les volets en position de décollage ou "position milieu". Augmentez progressivement les gaz jusqu'aux 3/4 en dirigeant l'avion grâce à la dérive. Les volets raccourcissent la distance de décollage. Une fois que la queue ne touche plus le sol, tirez légèrement sur le manche de profondeur. Une fois que l'avion est en l'air, basculez l'interrupteur de commande du train pour le rétracter. Montez à une altitude confortable, puis basculez l'interrupteur des volets pour les placer en position haute.

Le vol

Pour les premiers vols avec la batterie recommandée (SPMX50006S30), réglez la minuterie de l'émetteur ou de votre montre sur une durée de 3 minutes. Une fois les 3 minutes écoulées, posez l'appareil. **Posez immédiatement l'avion quand le moteur émet des pulsations et rechargez la batterie.** Consultez la section relative au LVC pour des informations complémentaires relatives à l'entretien de la batterie et l'autonomie.

Atterrissage

Placez toujours votre avion face au vent pour atterrir. Utilisez les grands débattements à la profondeur pour atterrir. Conservez un minimum de gaz durant la totalité de la descente. Placez les gaz à 1/4 et placez les volets en position basse ou d'atterrissage. Les volets augmentent la portance tout en réduisant la vitesse d'approche, facilitant ainsi les atterrissages. Basculez l'interrupteur du train d'atterrissage pour le sortir. Cela ralentira également l'avion.

Conservez des gaz jusqu'au moment où l'avion commence l'arrondi. Durant l'arrondi, conservez les ailes parallèles au sol et l'avion pointé vers le vent. Baissez progressivement les gaz en tirant légèrement sur le manche de profondeur pour poser l'avion sur ses roues.

Quand vous atterrissez sur de l'herbe, il est conseillé de tirer fortement sur le manche de profondeur afin d'éviter que l'avion passe sur le nez.

Évitez les changements brutaux de direction quand l'avion roule au sol afin d'éviter de froter les saumons des ailes contre le sol.

Conseils de vol en mode SAFE® Select

Lors d'un vol au mode SAFE Select, l'appareil retournera en vol à niveau à tout moment lorsque les commandes d'aileron et de gouverne de profondeur sont en position neutre. L'utilisation des commandes d'aileron ou de gouverne de profondeur fera s'incliner, grimper ou plonger l'appareil. La quantité de déplacement du manche déterminera l'attitude de vol de l'appareil. En maintenant le contrôle complet, l'appareil sera poussé vers les limites prédéterminées d'inclinaison et de roulis, mais ne dépassera pas ces angles.

Lors d'un vol au mode SAFE Select, il est normal de maintenir le manche de commande en déviation avec une saisie modérée d'aileron en volant à travers un virage. Pour voler correctement avec SAFE Select, évitez d'effectuer des changements de contrôles fréquents et n'essayez pas de corriger les déviations mineures. Le maintien de saisies de commande délibérées commandera à l'appareil de voler à un angle spécifique et le modèle effectuera toutes les corrections pour maintenir cette attitude de vol.

Lorsque vous volez avec SAFE Select, les gaz entraînent la montée ou la descente de l'appareil. La position plein régime fera cabrer et monter légèrement l'appareil. La position médiane des gaz maintiendra l'appareil en palier. La position faible ouverture des gaz entraînera une légère descente en piqué de l'appareil.

Remettez les commandes de gouverne de profondeur et d'aileron en position neutre avant de basculer du mode SAFE Select au mode AS3X. Si vous ne neutralisez pas les commandes en basculant au mode AS3X, les saisies de commandes utilisées pour le mode SAFE Select seront excessives pour le mode AS3X et l'appareil réagira immédiatement.



AVERTISSEMENT: Toujours couper les gaz avant le crash.

REMARQUE: Si un crash est imminent, réduisez complètement les gaz et le trim. Un non-respect de cette consigne risque de provoquer des dégâts supplémentaires et d'endommager le contrôleur et le moteur.

REMARQUE: Après un choc ou un remplacement, contrôlez que le récepteur est correctement fixé à l'intérieur du fuselage. Si vous remplacez le récepteur, placez le nouveau avec la même orientation que l'ancien sous peine d'endommager l'avion.

REMARQUE: Les dommages causés par des crashes ne sont pas couverts par la garantie.

REMARQUE: Ne laissez jamais l'avion en plein soleil quand vous avez terminé de le piloter. Ne stockez pas l'avion dans un lieu fermé et chaud comme une voiture. Vous risqueriez d'endommager la mousse.

Coupage par tension faible (LVC)

Lorsqu'une batterie Li-Po a été déchargée en-deçà de 3 V par élément, elle sera dans l'incapacité de conserver une charge. Le CEV (ESC) protège la batterie de vol contre une décharge trop importante en mettant en oeuvre la coupure par tension faible (LVC = Low Voltage Cutoff). Avant que la charge de la batterie ne diminue trop, le système de coupure par tension faible (LVC)

déconnecte la tension d'alimentation du moteur. La tension appliquée au moteur l'est par impulsions, montrant ainsi qu'il reste une certaine réserve de puissance de batterie pour garder le contrôle en vol et permettre un atterrissage en toute sécurité.

Déconnectez la batterie Li-Po de l'avion et retirez-la après utilisation pour éviter toute décharge lente de la batterie. Chargez votre batterie Li-Po à environ la moitié de sa capacité avant de l'entreposer. Au cours du stockage, assurez-vous que la charge de la batterie ne descend pas sous les 3 V par élément.

REMARQUE: Voler jusqu'au déclenchement de LVC de manière répétée endommagera la batterie.

Conseil: Contrôlez la tension de votre batterie avant et après le vol en utilisant l'appareil de mesure de tension (SPMXBC100, vendu séparément).

Réparations

Cet appareil présente pour avantage d'être fabriqué dans un matériau EPO en mousse permettant d'effectuer des réparations avec pratiquement n'importe quel adhésif (colle thermofusible, colle cyanoacrylate ordinaire, époxy, etc). En cas de pièces non réparables, reportez-vous à la liste des pièces de rechange et effectuez votre commande à l'aide des références d'article. Une liste complète des pièces de rechange et optionnelles figure à la fin de ce manuel.

REMARQUE: L'utilisation d'accélérateur à colle CA peut endommager la peinture de votre avion. Ne manipulez pas l'avion tant que l'accélérateur n'est pas totalement sec.

Différences entre les modes SAFE Select et AS3X

Cette section est généralement précise mais ne tient pas compte de la vitesse de vol, de l'état du chargeur de batterie et d'autres facteurs limitatifs.

		SAFE Select	AS3X
Saisie de commande	Le manche de commande est neutralisé	L'avion se met automatiquement à niveau	L'avion conserve la même attitude de vol
	Maintien d'une petite quantité de contrôle	L'appareil s'incline ou tangue à un angle modéré et conserve la même attitude de vol	L'appareil continue de tanguer ou de rouler lentement
	Maintien de la commande généralisée	L'appareil s'incline ou tangue selon les limites prédéfinies et conserve la même attitude de vol	L'appareil continue de tanguer ou de rouler rapidement
	Gaz	Plein régime : Montée Neutre : Vol en palier Faible ouverture : Descente en piqué	Les gaz n'affectent pas la réponse de vol.

Maintenane d'après vol

1	Déconnecter la batterie de vol du contrôleur (Impératif pour la Sécurité et la durée de vie de la batterie).
2	Mettez l'émetteur hors tension.
3	Retirez la batterie de l'avion.
4	Rechargez la batterie.

5	Réparez ou remplacez les pièces endommagées.
6	Stockez la batterie hors de l'avion et contrôlez régulièrement sa charge.
7	Prenez note des conditions de vol et des résultats du plan de vol à titre de référence pour la planification de vols ultérieurs.

Maintenance de la motorisation

ATTENTION : Déconnectez toujours la batterie de vol avant de réaliser une opération de maintenance sur le moteur.

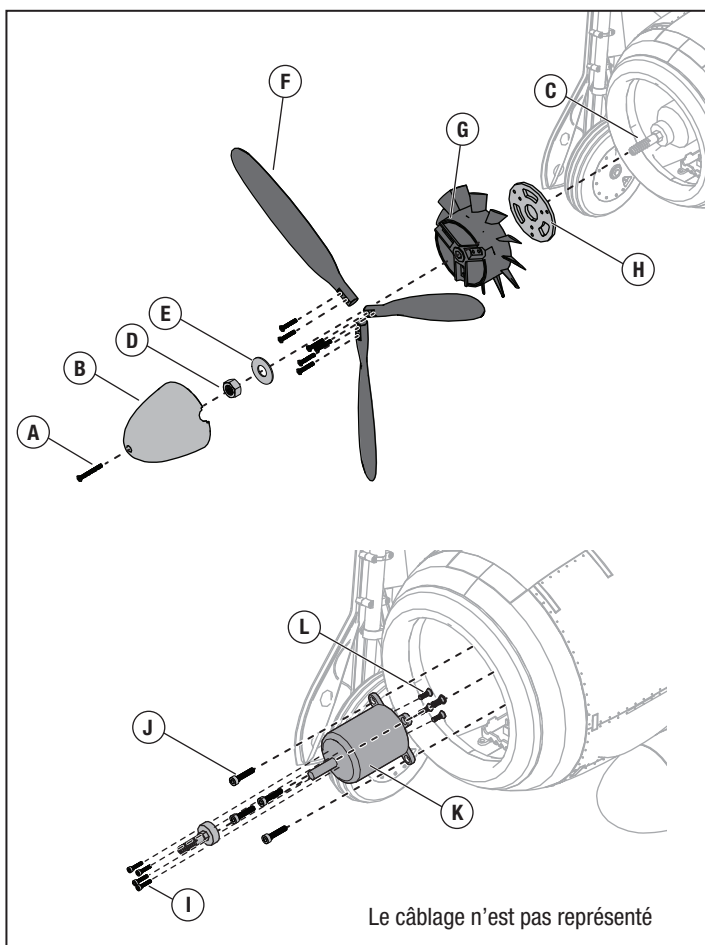
Démontage

1. Retirez la vis (A) et le cône (B) de l'arbre de l'hélice (C).
2. Retirez l'écrou de l'hélice (D) et la rondelle de l'hélice (E).
3. Retirez les hélices (F) et la plaque arrière (H) du ventilateur de refroidissement (G) de l'arbre de l'hélice.
4. Retirez les 4 vis (I) de l'arbre de l'hélice et retirez celui-ci de l'arbre du moteur.
5. Débranchez les câbles du moteur des câbles du variateur ESC.
6. Retirez les 4 vis (J) et le moteur (K) du support du moteur.
7. Retirez les 4 vis (L) du moteur pour retirer le support en X.

Assemblage

Montez dans l'ordre inverse.

- Alignez et raccordez les fils du moteur aux fils du variateur ESC en respectant les couleurs.
- Serrez l'écrou de l'hélice à l'aide d'une clé



Guide de dépannage AS3X

Problème	Cause possible	Solution
Oscillation	Hélice ou cône endommagé	Remplacez l'hélice ou le cône
	Hélice déséquilibrée	Équilibrez l'hélice. Pour des informations complémentaires, regardez la vidéo de John Redman concernant l'équilibrage des hélices
	Vibration du moteur	Remplacez les pièces endommagées et contrôlez toutes les serrages et alignement des pièces
	Récepteur mal fixé	Réalignez et refixez le récepteur
	Commandes desserrées	Contrôlez les fixations des servos, palonniers guignols et gouvernes
	Pièces usées	Remplacez les pièces usées (hélice, cône ou servo)
	Fonctionnement erratique du servo	Remplacer le servo
Performances de vol aléatoires	Le trim n'est pas au neutre	Si vous ajustez les trims plus de 8 clics, ajustez la chape pour annuler le trim
	Le sub-trim n'est pas au neutre	L'utilisation des sub-trims n'est pas permise. Réglez directement les tringleries
	L'avion n'est pas resté immobile durant 5 secondes	Mettez le contrôleur hors tension, puis de nouveau sous tension en laissant l'avion immobile durant 5 secondes en plaçant le manche des gaz à la position la plus basse
Réponse incorrecte de l'appareil aux essais des commandes du système AS3X	Paramétrage incorrect des directions des commandes du récepteur, pouvant causer un crash	NE PAS VOLER. Corriger les paramètres des commandes (se reporter au manuel du récepteur) avant de voler

Guide de dépannage

Problème	Cause possible	Solution
L'aéronef ne répond pas aux gaz mais bien aux autres commandes	La manette des gaz n'est pas au ralenti (idle) et/ou le trim des gaz est réglé à une valeur trop élevée	Réinitialiser les commandes avec la manette des gaz et mettre le trim des gaz à sa valeur la plus faible possible
	La course du servo des gaz est inférieure à 100%	S'assurer que la course du servo des gaz est de 100%
	La voie des gaz est inversée	Inverser le canal des gaz sur l'émetteur
	Moteur déconnecté de l'ESC	Assurez-vous que le moteur soit bien connecté à l'ESC
L'hélice fait trop de bruit ou vibre trop	Hélice et cône, adaptateur ou moteur endommagé	Remplacez les pièces endommagées
	Déséquilibre de l'hélice	Équilibrer ou remplacer l'hélice
	Écrou de l'hélice desserré	Reserrer l'écrou
Durée de vol réduite ou manque de puissance de l'aéronef	La charge de la batterie de vol est faible	Recharger la batterie de vol complètement
	Hélice montée à l'envers	Monter l'hélice correctement les chiffres se trouvant sur le devant
	Batterie de vol endommagée	Remplacer la batterie de vol et respecter les instructions la concernant
	Il se pourrait que les conditions de vol soient trop froides	S'assurer que la batterie est à température avant de l'utiliser
	Capacité de la batterie trop faible pour les conditions de vol	Remplacer la batterie ou utiliser une batterie à plus grande capacité
L'aéronef n'accepte pas l'affectation (au cours de cette procédure) à l'émetteur	Émetteur trop près de l'aéronef au cours de la procédure d'affectation	Déplacer l'émetteur allumé à quelques pas de l'aéronef, déconnectez la batterie métallique
	L'aéronef ou l'émetteur se trouve trop près d'un objet métallique	Déplacer l'aéronef ou l'émetteur à bonne distance de l'objet métallique de forte taille
	La prise d'affectation n'est pas installée correctement dans le port d'affectation	Installer la prise d'affectation dans le port d'affectation affecter l'aéronef à l'émetteur
	La charge de la batterie de vol/de la batterie de l'émetteur est trop faible	Remplacer/recharger les batteries
	Bouton d'affectation n'a pas été appuyé suffisamment longtemps durant l'étape d'affectation	Eteindre l'émetteur et répéter le processus d'affectation. Maintenir enfoncé le bouton d'affectation jusqu'à ce que le récepteur soit affecté
(Après affectation), l'aéronef ne veut pas établir la liaison avec l'émetteur	Émetteur trop près de l'aéronef lors du processus d'établissement de liaison	Déplacer l'émetteur allumé à quelques pas de l'aéronef, déconnectez la batterie de vol de l'aéronef et reconnectez-la
	L'aéronef ou l'émetteur se trouve trop près d'un objet de forte taille en métal	Déplacer l'aéronef ou l'émetteur à bonne distance de l'objet de forte taille en métal
	Prise d'affectation incorrectement installée dans le port d'affectation ou dans l'extension du port d'affectation	Procéder à une nouvelle affectation émetteur/aéronef et enlever la prise d'affectation avant de couper/remettre l'alimentation en route
	Aéronef affecté à une mémoire de modèle différente (radio ModelMatch uniquement)	Sélectionner la mémoire de modèle correcte sur l'émetteur
	La charge de la batterie de vol/de la batterie de l'émetteur est trop faible	Remplacer/recharger les batteries
	Il se peut que l'émetteur ait été affecté en utilisant un protocole DSM différent	Affecter l'aéronef à l'émetteur
La gouverne ne bouge pas	La gouverne, bras de commande, tringlerie ou servo endommagé	Remplacer ou réparer les pièces endommagées et régler les commandes
	Câblage endommagé ou connexions lâches	Contrôler les câbles et les connexions, connecter ou remplacer si besoin
	L'émetteur n'est pas affecté correctement ou il y a eu sélection d'un modèle incorrect	Effectuer une nouvelle affectation ou sélectionner le modèle correct dans l'émetteur
	La charge de la batterie de vol est faible	Recharger complètement la batterie de vol
	Le circuit BEC (Battery Elimination Circuit) du contrôleur (ESC) est endommagé	Remplacer le contrôleur (ESC)
Commandes inversées	Les réglages de l'émetteur sont inversés	Effectuer les essais de direction des commandes et régler les commandes au niveau de l'émetteur en fonction des résultats
L'alimentation du moteur se fait par impulsions, le moteur perdant ensuite de sa puissance	Le contrôleur (ESC) utilise la coupure progressive de tension basse (LVC) par défaut	Recharger la batterie de vol ou remplacer la batterie qui ne donne plus les performances prévues
	Il se pourrait que les conditions météorologiques soient trop froides	Reporter le vol jusqu'à ce qu'il fasse plus chaud
	La batterie a vieilli, est usée ou endommagée	Remplacer La batterie
	La capacité de la batterie est peut être trop faible	Utiliser la batterie recommandée

Pièces de rechange

Référence	Description
EFL01255	Support de batterie avec sangles : P-51D 1,5 m
EFL01351	Verrière avec pilote ; FW 190 A 1,5 m
EFL01352	Goupille de trappe de fuselage ; FW 190 A 1,5 m
EFL01353	Fuselage ; FW 190 A 1,5 m
EFL01354	Empennage horizontal ; FW 190 A 1,5 m
EFL01355	Longeron de l'empennage horizontal ; FW 190 A
EFL01357	Cône avec plaque arrière ; FW 190 A
EFL01358	Ensemble d'hélice ; FW 190 A 1,5 m
EFL01359	Aile principale centrale ; FW 190 A 1,5 m
EFL01360	Panneau d'aile droite ; FW 190 A 1,5 m
EFL01361	Panneau d'aile gauche ; FW 190 A 1,5 m
EFL01362	Jeu de vis ; FW 190 A 1,5 m
EFL01363	Ensemble de roues principales ; FW 190 A 1,5 m
EFL01364	Attaches en C de rentrée/broches ; FW 190 A
EFL01365	Trappes du train d'atterrissage ; FW 190 A
EFL01366	Accessoires d'échelle ; FW 190 A
EFL01367	Ensemble barre de liaison ; FW 190 A 1,5 m
EFL01368	Caches de servo ; FW 190 A 1,5 m
EFL01369	Ensemble d'autocollants ; FW 190 A 1,5 m
EFL01370	Adaptateur d'hélice au moteur ; FW 190 A
EFL01371	Ensemble de support moteur ; FW 190 A 1,5 m
EFL01372	Prises de panneaux d'ailes ; FW 190 A 1,5 m
EFL01373	Prises mains libres ; FW 190 A 1,5 m
EFL01374	Ensemble de roue de queue ; FW 190 A
EFL01376	Essieux de roue ; FW 190 A 1,5 m
EFLG01376	Jeu de systèmes de rentrée ; FW 190 A 1,5 m
EFLG01377	Goupilles de hauban de rentrée ; FW 190 A 1,5 m
EFLG01378	Ensemble de hauban gauche ; FW 190 A
EFLG01379	Ensemble de hauban droit ; FW 190 A
EFLG01380	Unité de moteur de rentrée ; FW 190 A 1,5 m
SPMAR637T	Récepteur télémétrique AS3X 6 canaux AR637T
SPMSA430	Servo 17 g
SPMXAE1100	Variateur ESC sans balais 100 A Smart Avian 6S
SPMXAM1000	Moteur sans balais 4258-460 kV 14-Pole

Pièces recommandées

Référence	Description
SPMR6775	Émetteur DSMX NX6 6 canaux uniquement
SPMX50006S30	5 000 mAh 6S 22,2 V Smart 30 C ; IC5
SPMXC1080	Chargeur CA Smart S1100, 1 x 100 W
SPMXCA507	Adaptateur : Batterie IC3/dispositif IC5

Pièces facultatives

Référence	Description
SPMXBC100	Contrôleur pour batterie Smart
SPM6722	Boîtier pour émetteur d'avion unique Spektrum
SPMXC1000	Chargeur CC Smart S1200, 1 x 200 W
SPMXC10201	Alimentation électrique 30 A 540 W
SPMA3032	Ruban mousse Spektrum
SPMR8200	Émetteur DSMX NX8 8 canaux uniquement
SPMR8105	Émetteur DSMX DX8e 8 canaux uniquement

Garantie limitée

Durée de la garantie

Garantie exclusive - Horizon Hobby, LLC (Horizon) garantit que le Produit acheté (le « Produit ») sera exempt de défauts matériels et de fabrication à sa date d'achat par l'Acheteur. La durée de garantie correspond aux dispositions légales du pays dans lequel le produit a été acquis. La durée de garantie est de 6 mois et la durée d'obligation de garantie de 18 mois à l'expiration de la période de garantie.

Limitations de la garantie

(a) La garantie est donnée à l'acheteur initial (« Acheteur ») et n'est pas transférable. Le recours de l'acheteur consiste en la réparation ou en l'échange dans le cadre de cette garantie. La garantie s'applique uniquement aux produits achetés chez un revendeur Horizon agréé. Les ventes faites à des tiers ne sont pas couvertes par cette garantie. Les revendications en garantie seront acceptées sur fourniture d'une preuve d'achat valide uniquement. Horizon se réserve le droit de modifier les dispositions de la présente garantie sans avis préalable et révoque alors les dispositions de garantie existantes.

(b) Horizon n'endosse aucune garantie quant à la vendabilité du produit ou aux capacités et à la forme physique de l'utilisateur pour une utilisation donnée du produit. Il est de la seule responsabilité de l'acheteur de vérifier si le produit correspond à ses capacités et à l'utilisation prévue.

(c) Recours de l'acheteur – Il est de la seule discrétion d'Horizon de déterminer si un produit présentant un cas de garantie sera réparé ou échangé. Ce sont là les recours exclusifs de l'acheteur lorsqu'un défaut est constaté.

Horizon se réserve la possibilité de vérifier tous les éléments utilisés et susceptibles d'être intégrés dans le cas de garantie. La décision de réparer ou de remplacer le produit est du seul ressort d'Horizon. La garantie exclut les défauts esthétiques ou les défauts provoqués par des cas de force majeure, une manipulation incorrecte du produit, une utilisation incorrecte ou commerciale de ce dernier ou encore des modifications de quelque nature qu'elles soient.

La garantie ne couvre pas les dégâts résultant d'un montage ou d'une manipulation erronés, d'accidents ou encore du fonctionnement ainsi que des tentatives d'entretien ou de réparation non effectuées par Horizon. Les retours effectués par le fait de l'acheteur directement à Horizon ou à l'une de ses représentations nationales requièrent une confirmation écrite.

Limitation des dégâts

Horizon ne saurait être tenu pour responsable de dommages conséquents directs ou indirects, de pertes de revenus ou de pertes commerciales, liés de quelque manière que ce soit au produit et ce, indépendamment du fait qu'un recours puisse être formulé en relation avec un contrat, la garantie ou l'obligation de garantie. Par ailleurs, Horizon n'acceptera pas de recours issus d'un cas de garantie lorsque ces recours dépassent la valeur unitaire du produit. Horizon n'exerce aucune influence sur le montage, l'utilisation ou la maintenance du produit ou sur d'éventuelles combinaisons de produits choisies par l'acheteur. Horizon ne prend en compte aucune garantie et n'accepte aucun recours pour les blessures ou les dommages pouvant en résulter. En utilisant et en montant le produit, l'acheteur accepte sans restriction ni réserve toutes les dispositions relatives à la garantie figurant dans le présent document.

Si vous n'êtes pas prêt, en tant qu'acheteur, à accepter ces dispositions en relation avec l'utilisation du produit, nous vous demandons de restituer au

vendeur le produit complet, non utilisé et dans son emballage d'origine.

Indications relatives à la sécurité

Ceci est un produit de loisirs perfectionné et non un jouet. Il doit être utilisé avec précaution et bon sens et nécessite quelques aptitudes mécaniques ainsi que mentales. L'incapacité à utiliser le produit de manière sûre et raisonnable peut provoquer des blessures et des dégâts matériels conséquents. Ce produit n'est pas destiné à être utilisé par des enfants sans la surveillance par un tuteur. La notice d'utilisation contient des indications relatives à la sécurité ainsi que des indications concernant la maintenance et le fonctionnement du produit. Il est absolument indispensable de lire et de comprendre ces indications avant la première mise en service. C'est uniquement ainsi qu'il sera possible d'éviter une manipulation erronée et des accidents entraînant des blessures et des dégâts.

Questions, assistance et réparations

Votre revendeur spécialisé local et le point de vente ne peuvent effectuer une estimation d'éligibilité à l'application de la garantie sans avoir consulté Horizon. Cela vaut également pour les réparations sous garantie. Vous voudrez bien, dans un tel cas, contacter le revendeur qui conviendra avec Horizon d'une décision appropriée, destinée à vous aider le plus rapidement possible.

Maintenance et réparation

Si votre produit doit faire l'objet d'une maintenance ou d'une réparation, adressez-vous soit à votre revendeur spécialisé, soit directement à Horizon. Emballez le produit soigneusement. Veuillez noter que le carton d'emballage d'origine ne suffit pas, en règle générale, à protéger le produit des dégâts pouvant survenir pendant le transport. Faites appel à un service de messagerie proposant une fonction de suivi et une assurance, puisque Horizon ne prend aucune responsabilité pour l'expédition du produit jusqu'à sa réception acceptée. Veuillez joindre une preuve d'achat, une description détaillée des défauts ainsi qu'une liste de tous les éléments distincts envoyés. Nous avons de plus besoin d'une adresse complète, d'un numéro de téléphone (pour demander des renseignements) et d'une adresse de courriel.

Garantie et réparations

Les demandes en garantie seront uniquement traitées en présence d'une preuve d'achat originale émanant d'un revendeur spécialisé agréé, sur laquelle figurent le nom de l'acheteur ainsi que la date d'achat. Si le cas de garantie est confirmé, le produit sera réparé. Cette décision relève uniquement de Horizon Hobby.

Réparations payantes

En cas de réparation payante, nous établissons un devis que nous transmettons à votre revendeur. La réparation sera seulement effectuée après que nous ayons reçu la confirmation du revendeur. Le prix de la réparation devra être acquitté au revendeur. Pour les réparations payantes, nous facturons au minimum 30 minutes de travail en atelier ainsi que les frais de réexpédition. En l'absence d'un accord pour la réparation dans un délai de 90 jours, nous nous réservons la possibilité de détruire le produit ou de l'utiliser autrement.

ATTENTION : Nous n'effectuons de réparations payantes que pour les composants électroniques et les moteurs. Les réparations touchant à la mécanique, en particulier celles des hélicoptères et des voitures radiocommandées, sont extrêmement coûteuses et doivent par conséquent être effectuées par l'acheteur lui-même.

10/2015

Informations de contact

Pays d'achat	Horizon Hobby	Numéro de téléphone/Adresse de courriel	Adresse
Union européenne	Horizon Technischer Service Sales: Horizon Hobby GmbH	service@horizonhobby.eu +49 (0) 4121 2655 100	Hanskampring 9 D 22885 Barsbüttel, Germany

Informations IC

CAN ICES-3 (B)/NMB-3(B)

IC : 6157A-TIARLGTNG1

Ce dispositif contient un/des émetteur(s)/récepteur(s) exempt(s) de licence conforme(s) aux CNR d'Innovation, Sciences et Développement économique Canada. Son utilisation est soumise aux deux conditions suivantes :

1. Cet appareil ne doit pas causer d'interférences.
2. Cet appareil doit accepter toute interférence, y compris les interférences pouvant entraîner un fonctionnement indésirable.

Informations de conformité pour l'Union européenne

CE **Déclaration de conformité aux normes de l'UE :**
EFL FW 190A 1.5m BNF Basic (EFL01350); Par la présente, Horizon Hobby, LLC déclare que cet appareil est conforme aux directives suivantes : Directive relative aux équipements radioélectriques 2014/53/UE, Directive RoHS 2 2011/65/UE, Directive RoHS 3 - Modifiant 2011/65/UE Annexe II 2015/863.

EFL FW 190A 1.5m PNP (EFL01375); Par la présente, Horizon Hobby, LLC déclare que cet appareil est conforme aux directives suivantes : Directive CEM 2014/30/UE, Directive RoHS 2 2011/65/UE, Directive RoHS 3 - Modifiant 2011/65/UE Annexe II 2015/863.

Le texte complet de la déclaration de conformité aux normes de l'UE est disponible à l'adresse Internet suivante : <https://www.horizonhobby.com/content/support-render-compliance>.

Plage de fréquences sans fil et puissance de sortie sans fil :

2402 – 2478 MHz
 17.7dBm

NOTE DEEE :



L'étiquette de cet appareil respecte la directive européenne 2012/19/UE en matière de déchets des équipements électriques et électroniques (DEEE). Cette étiquette indique que ce produit ne doit pas être jeté avec les déchets ménagers, mais déposé dans une installation appropriée afin de permettre sa récupération et son recyclage.

Fabricant officiel pour l'UE :

Horizon Hobby, LLC
 2904 Research Road
 Champaign, IL 61822 USA

Importateur officiel pour l'UE ::

Horizon Hobby, GmbH
 Hanskampring 9
 22885 Barsbüttel Germany

Australia/New Zealand:



E328

AVVISO

Tutte le istruzioni, le garanzie e altri documenti pertinenti sono soggetti a modifiche a totale discrezione di Horizon Hobby, LLC. Per una documentazione aggiornata sul prodotto, visitare il sito www.horizonhobby.com o towerhobbies.com e fare clic sulla sezione Support del prodotto.


Convenzioni Terminologiche

I seguenti termini vengono utilizzati in tutta la documentazione relativa al prodotto per indicare il livello di eventuali danni connessi all'utilizzo di questo prodotto:

AVVERTENZA: indica procedure che, se non debitamente seguite, determinano la probabilità di danni alle cose, danni collaterali e gravi lesioni alle persone OPPURE una probabilità elevata di lesioni superficiali alle persone.

ATTENZIONE: indica procedure che, se non debitamente seguite, determinano la probabilità di danni alle cose E la possibilità di gravi lesioni alle persone.

AVVISO: indica procedure che, se non debitamente seguite, possono determinare la possibilità di danni alle cose E la possibilità minima o nulla di lesioni alle persone.

 **AVVERTENZA:** leggere PER INTERO il manuale di istruzioni per acquisire dimestichezza con le caratteristiche del prodotto prima di metterlo in funzione. Un uso improprio del prodotto può causare danni al prodotto stesso e ai beni personali e provocare gravi lesioni alle persone.


Questo è un prodotto sofisticato per appassionati di modellismo. Deve essere utilizzato in modo attento e responsabile e richiede alcune conoscenze basilari di meccanica. L'uso improprio o irresponsabile di questo prodotto potrebbe causare lesioni alle persone o danni al prodotto stesso o ad altre cose. Questo prodotto non deve essere utilizzato dai bambini senza la diretta supervisione di un adulto. Non utilizzare componenti incompatibili o modificare il prodotto in maniera diversa da quanto riportato nelle istruzioni fornite da Horizon Hobby, LLC. Il presente manuale contiene le istruzioni per la sicurezza, l'uso e la manutenzione del prodotto. È fondamentale leggere e seguire tutte le istruzioni e le avvertenze riportate nel manuale prima di montare, impostare o usare il prodotto per poterlo utilizzare correttamente ed evitare di causare danni alle cose o gravi lesioni alle persone.

14+ ETÀ CONSIGLIATA: almeno 14 anni. Questo non è un giocattolo.

Precauzioni e avvertenze sulla sicurezza

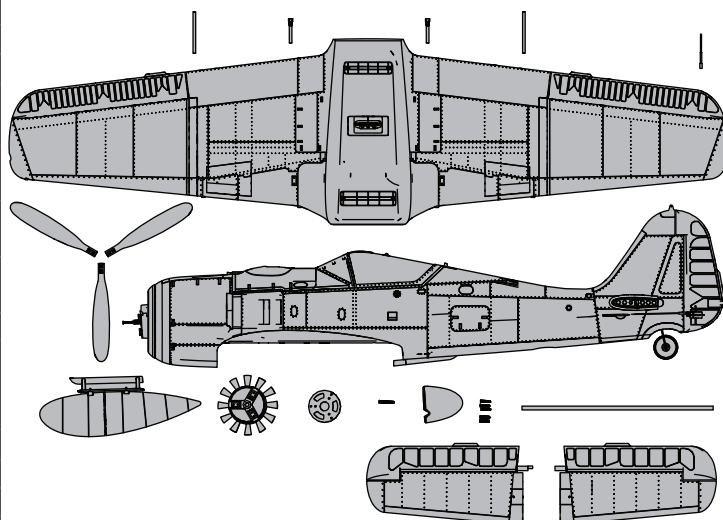
L'utente di questo prodotto è l'unico responsabile del corretto utilizzo del medesimo in modo tale da non risultare pericoloso per sé stesso e gli altri e da non danneggiare il prodotto stesso o i beni altrui.

- Mantenere sempre la distanza di sicurezza in tutte le direzioni attorno al modello per evitare collisioni o danni. Questo modello è controllato da un segnale radio soggetto a interferenze provenienti da diverse sorgenti non controllabili dall'utilizzatore. Tali interferenze possono provocare perdite momentanee di controllo.
- Utilizzare sempre il modello in spazi liberi da veicoli, traffico e persone.
- Seguire sempre scrupolosamente le istruzioni e le avvertenze sia per il modello che per tutti gli accessori (caricabatteria, pacchi batteria ricaricabili, ecc.).
- Tenere sempre le sostanze chimiche, le parti piccole e i componenti elettrici fuori dalla portata dei bambini.
- Evitare sempre il contatto con l'acqua di tutte le apparecchiature che non sono state appositamente progettate a tale scopo. L'umidità danneggia i componenti elettronici.
- Non mettere in bocca le parti del modello. Potrebbe essere pericoloso e persino mortale.
- Non utilizzare il modello se le batterie della trasmittente sono poco cariche.
- Tenere sempre il velivolo in vista e sotto controllo.
- Usare sempre batterie completamente cariche.
- Tenere sempre la trasmittente accesa quando il velivolo viene alimentato.
- Rimuovere sempre le batterie prima dello smontaggio.
- Tenere sempre pulite le parti mobili.
- Tenere sempre i componenti asciutti.
- Lasciare sempre che i componenti si raffreddino dopo l'uso prima di toccarli.
- Rimuovere sempre le batterie dopo l'uso.
- Accertarsi sempre che il failsafe sia impostato correttamente prima del volo.
- Non utilizzare mai velivoli con cablaggi danneggiati.
- Non toccare mai le parti in movimento.

 **ATTENZIONE AI PRODOTTI CONTRAFFATTI:** se è necessario sostituire la ricevente Spektrum in dotazione con uno dei prodotti Horizon Hobby, si raccomanda di acquistare sempre da Horizon Hobby, LLC o da un suo rivenditore autorizzato per essere certi dell'autenticità e della qualità del prodotto Spektrum. Horizon Hobby, LLC nega ogni assistenza tecnica e garanzia a titolo esemplificativo, ma non esaustivo in merito alla compatibilità e alle prestazioni di prodotti contraffatti o dichiarati compatibili con la tecnologia DSM o Spektrum.

Contenuto della scatola

Guida introduttiva rapida			
Impostazione trasmettente	1. Modello (Acro) non configurato		
	2. Inversione servo: tutti su normale		
	3. Regolazione corsa (tutte le superfici): 100%		
Dual Rates* (riduttori di corsa)	Alettone	Imp. alta ▲ = 13mm ▼ = 13mm	Imp. bassa ▲ = 10mm ▼ = 10mm
		Elevatore	▲ = 10mm ▼ = 7mm
	Timone	▶ = 25mm ◀ = 25mm	▶ = 18mm ◀ = 18mm
		Flap	Mezzi (decollo) ▼ = 15 mm
	Miscela dall'elevatore al flap	Elevatore all' 8% giù	Elevatore all' 15% giù
EXPO (centro morbido)	Alettone	Imp. alta 10%	Imp. bassa 5%
		Elevatore	10%
	Timone	10%	5%
	Baricentro (CG)	105-120mm procedendo all'indietro dal supporto mitragliatrice interno sul bordo d'attacco tenendo il modello capovolto.	
Impostazione timer di bordo	Per il primo volo, impostare il timer a 3 minuti. Regolare la durata in base alle condizioni della batteria e allo stile di volo.		

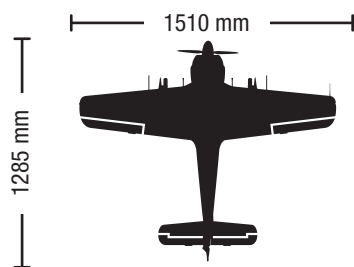


Caratteristiche

	BNP BASTO	PNP PLUG-N-PLAY
Motore: 4258-460 Kv BL (SPMXAM1000)	Incluso	Incluso
ESC: Smart 100 A 6S (SPMXAE1100)	Installato	Installato
Servo: Alettone: (2) Spektrum A430; cavo 150 mm Equilibratore: (1) Spektrum A430; cavo 150 mm Timone: (1) Spektrum A430; cavo 150 mm Flap: (2) Spektrum A430; cavo 330 mm	Installato	Installato
Ricevitore: RX telemetrico Spektrum™ AR637TA 6 Canali AS3X/SAFE (SPMAR637T)	Installato	Necess. per completare
Batteria consigliata: 5000 mAh 6S 22,2 V Smart 30C IC5 LiPo (SPMX50006S30)	Necess. per completare	Necess. per completare
Caricabatterie consigliato: per batterie LiPo a 6 celle, con bilanciamento	Necess. per completare	Necess. per completare
Trasmettente consigliata: piena portata, 2,4 GHz con tecnologia Spektrum™ DSM2®/DSMX® con miscelazione programmabile e riduttori di corsa regolabili	Necess. per completare	Necess. per completare

INFORMAZIONI DI CONNESSIONE DEL RICEVITORE

Canali	6
Frequenza	2402-2478 MHz
Compatibilità	DSM2 e DSMX



2943 g senza batteria
3625 g con 6S 5000 mAh
30C batteria

Indice

Controlli prima del volo	62
Impostazione del trasmettitore	62
Assemblaggio del modello	63
Scelta e installazione della ricevente per la versione PNP	66
Installare la batteria e armare l'ESC	67
Centraggio delle superfici mobili	68
Impostazione delle squadrette e dei bracci dei servi	68
Binding	69
Assegnazione interruttore SAFE® Select	70
Telemetria SMART Technology™	70
Test di controllo della direzione	71
Verificare il verso dei controlli AS3X	72
Center of Gravity (CG)	72
Trimmaggio durante il volo	72
Consigli per il volo e riparazioni	73
Suggerimenti per il volo con SAFE® Select	73
Dopo il volo	74
Manutenzione motore	74
Guida alla soluzione dei problemi AS3X	74
Guida alla soluzione dei problemi	75
Parti di ricambio	76
Parti consigliate	76
Parti opzionali	76
Garanzia limitata	77
Informazioni per i contatti	77
Informazioni di conformità per l'Unione Europea	78
Informazioni sulla conformità per l'Unione Europea	78

Controlli prima del volo

1	Controllare il contenuto della scatola.
2	Leggere attentamente questo manuale.
3	Caricare la batteria di bordo.
4	Impostare la trasmettente usando la tabella impostazione trasmettente.
5	Montare completamente l'aereo.
6	Installare la batteria sull'aereo (dopo averla caricata).
7	Controllare il baricentro (CG).
8	Connettere (bind) l'aereo alla trasmettente.
9	Verificare che i rinvii dei comandi si muovano liberamente.

10	Controllare il funzionamento dei carrelli retrattili.
11	Controllare il funzionamento dei flap.
12	Con la trasmettente, controllare che i comandi si muovano nel senso corretto.
13	Con l'aereo, controllare che i comandi con l'AS3X vadano nel verso giusto.
14	Regolare i comandi di volo e la trasmettente.
15	Eseguire un controllo della portata del radiocomando.
16	Cercare un posto aperto e sicuro per volare.
17	Pianificare il volo in base alle condizioni del campo.

Impostazione del trasmettente

IMPORTANTE: dopo aver regolato il modello, rifare sempre la connessione fra trasmettente e ricevitore (binding) per avere le posizioni di failsafe corrette.

IMPORTANTE: il ricevitore incluso è stato programmato specificamente per questo aeromodello. Se si desidera utilizzare il ricevitore AR637T con un altro aeromodello, visitare il sito spektrumrc.com per le istruzioni di riprogrammazione.

Se il trasmettente lo consente, attivare la funzione di taglio gas. Attivare sempre il taglio del gas prima di avvicinarsi all'aeromodello.

Riduzioni D/R

Fare i primi voli con le corse ridotte.

AVVISO: per essere certi che l'AS3X funzioni correttamente, non ridurre le corse al di sotto del 50%. Se si vuole avere delle corse più ridotte, bisogna intervenire sulla posizione delle forcelle sulle squadrette dei servi.

AVVISO: se ad alta velocità si notano delle oscillazioni, si faccia riferimento alla Guida per la risoluzione dei problemi per avere maggiori informazioni.

Esponenziale

Dopo i primi voli si possono regolare sul trasmettente delle corse Expo.

Impostazione telemetria trasmettente

Se la trasmettente che si intende utilizzare con questo aeromodello non visualizza i dati telemetrici, visitare Spektrumrc.com e aggiornare il firmware. Una volta installato il firmware più recente, l'opzione telemetria dovrebbe risultare operativa.

Impostazioni trasmettente computerizzato (DX6e†, DX6†, DX7, DX7S, DX8, DX8e, DX9, DX10t, DX18, DX20, iX12, iX20, NX6, NX8, and NX10)		
Iniziare la programmazione del trasmettente con una memoria vuota di un modello ACRO (eseguire un Reset), poi dare un nome al modello.		
Impostare i dual rate di alettone, elevatore e timone su:	HIGH 100% LOW 70%	
Impostare la corsa del servo su:	100%	
Imposta il taglio del gas su	-100%	
DX7S	1. Andare su SYSTEM SETUP	
	2. Impostare MODEL TYPE: AIRPLANE	
	3. Impostare WING TYPE: 1 AIL 1 FLAP	
	4. Andare su FUNCTION LIST	
	5. Impostare SERVO SETUP: Reverse GEAR	
DX8	6. Impostare FLAP SYSTEM: Choose Flap NORM: -100% FLAP* MID: +20% FLAP* LAND: +100% FLAP* SPEED 2.0S: SWITCH = FLAP	
	DX6e† DX6 (Gen2)† DX7 (Gen2) DX8 (Gen2) DX8e DX9 DX10t DX18 DX20 iX12† iX20† NX6 NX8 NX10	1. Andare su SYSTEM SETUP (Model Utilities)†
		2. Impostare MODEL TYPE: AIRPLANE
		3. Impostare AIRCRAFT TYPE (Model Setup, Aircraft Type)†: WING: 1 AIL 1 FLAP
		4. Andare su FUNCTION LIST (Model Adjust)†
		5. Impostare SERVO SETUP: Reverse GEAR
6. Impostare FLAP SYSTEM: SELECT SWITCH D: POS 0: -100% FLAP* POS 1: +20% FLAP* POS 2: +5100% FLAP* SPEED 2.0		

† Alcuni termini e alcune posizioni di funzione usati nella programmazione iX12 possono essere leggermente diversi da quelli delle altre radio Spektrum AirWare. I nomi indicati tra parentesi corrispondono alla terminologia della programmazione iX12. Consultare il manuale della trasmettente per informazioni specifiche sulla programmazione della trasmettente.

† Le impostazioni sopra fornite per la trasmettente DX6 e DX6e non consentono l'uso di un interruttore SAFE Select. Per usare un interruttore SAFE Select su questi sistemi, fare riferimento al paragrafo che segue per la configurazione della trasmettente e le informazioni operative.

Assemblaggio del modello

Montaggio dello stabilizzatore

1. Far scorrere il tubo dello stabilizzatore (A) nel foro situato nella parte posteriore della fusoliera.
2. Montare i 2 elementi dello stabilizzatore (sinistra e destra) come mostrato. Accertarsi che le squadrette siano rivolte verso il basso.
3. Fissare i 2 elementi dello stabilizzatore con 2 viti (M3 x 10 mm) (B) fornite in dotazione.
4. Agganciare l'attacco a sfera (C) al foro più esterno della squadretta di controllo dell'equilibratore con la vite (M2 x 8 mm) in dotazione. Serrare vite e dado con una chiave a brugola da 2 mm.

Smontare in ordine inverso.

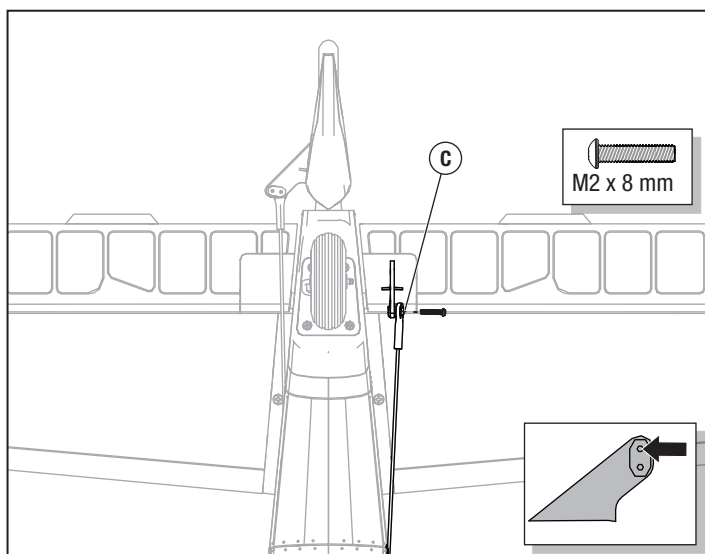
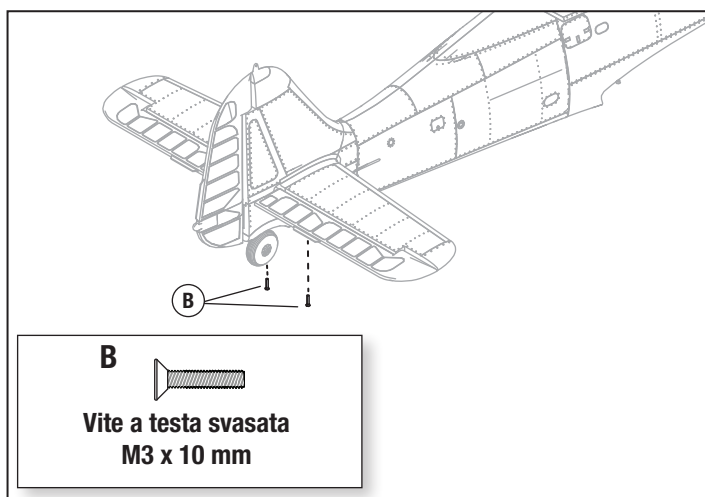
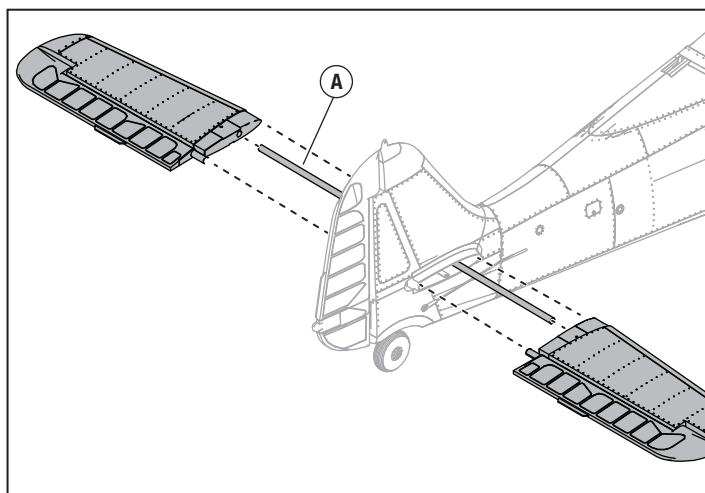


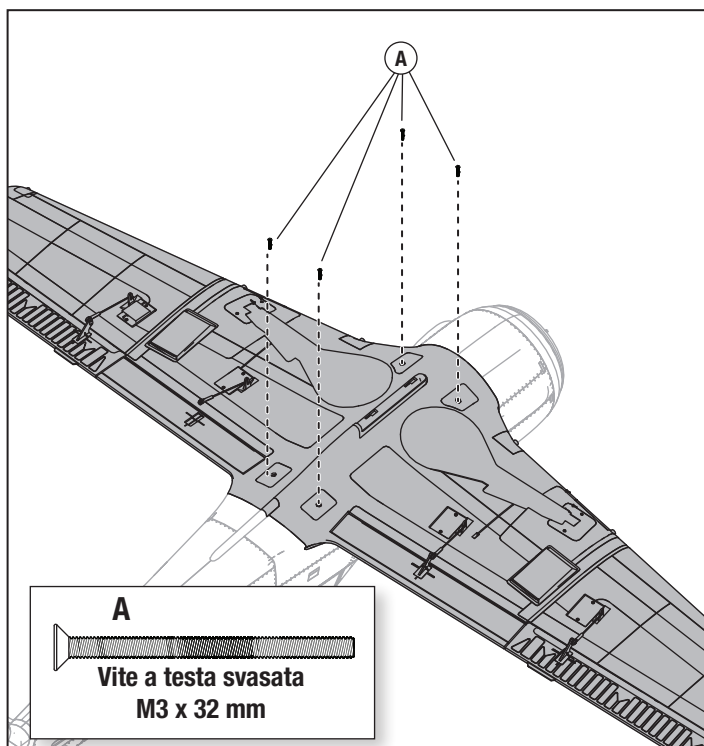
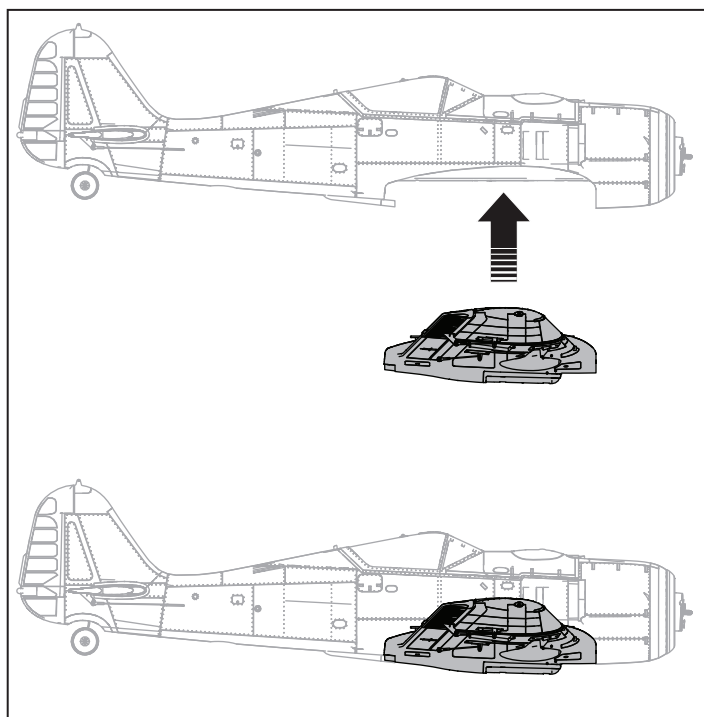
Tabella viti		
Posizione	Dimensioni	Quantità
Vite attacco a sfera equilibratore	M2 x 8 mm	1
Viti ala	M3 x 32 mm	4
Viti stabilizzatore	M3 x 10 mm	2
Vite ogiva	M3 x 32 mm	1
Viti elica	M3 x 16 mm	6
Viti supporto ruotino di coda	2,0 x 8	4
Viti spine servo a mani libere	2,0 x 8	8
Viti coperchi servo	2,0 x 8	8
Viti coperchi portelli vani carrelli (interne)	2,0 x 12	16
Viti coperchi portelli vani carrelli (esterne)	2,0 x 6	2
Viti supporto coperchio retrazione	2,0 x 8	4
Viti mozzi assale ruote	4,0 x 25	2
Viti supporto motore retrazione	3,0 x 16	8
Viti spine ala	2,0 x 8	16
Viti supporto a X	3,0 x 16	4
Viti supporto motore	4,0 x 10	4
Viti forcelle attacchi a sfera	2,0 x 8	6

Montaggio del modello (segue)

Montaggio dell'ala

1. Allineare il connettore servo a mani libere e premere l'ala nell'apposita sella.
2. Fissare l'ala in posizione con le 4 viti (M3 x 32 mm) (A) fornite in dotazione. Serrare la vite con una chiave a brugola da 2 mm.

Smontare in ordine inverso.



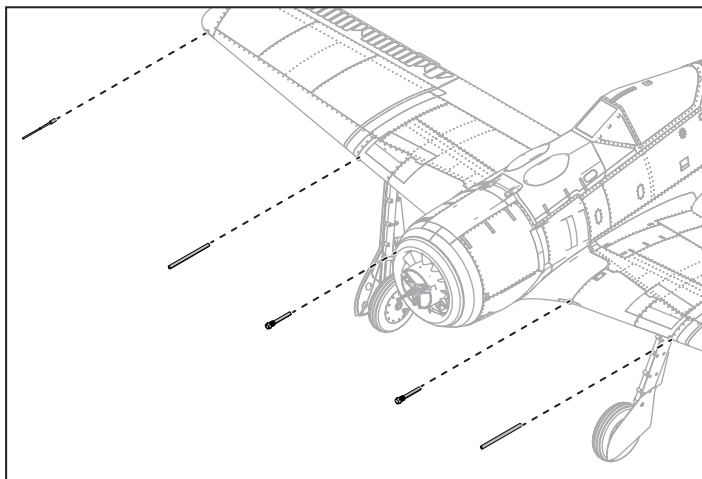
Segue →

Montaggio del modello (segue)

Montaggio di cannoni, mitragliatrici e tubo di Pitot

1. Montare i cannoni, le mitragliatrici e il tubo di Pitot sull'ala avvitandoli in posizione come mostrato.

Smontare in ordine inverso.



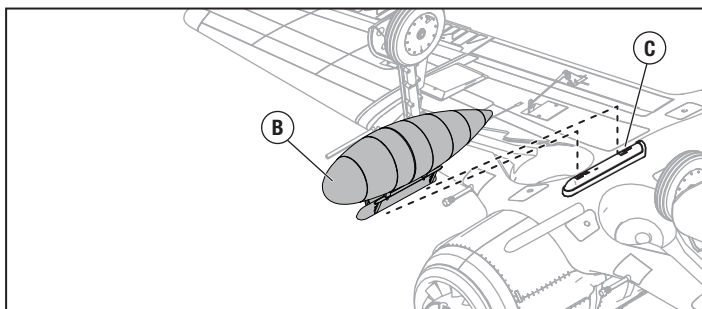
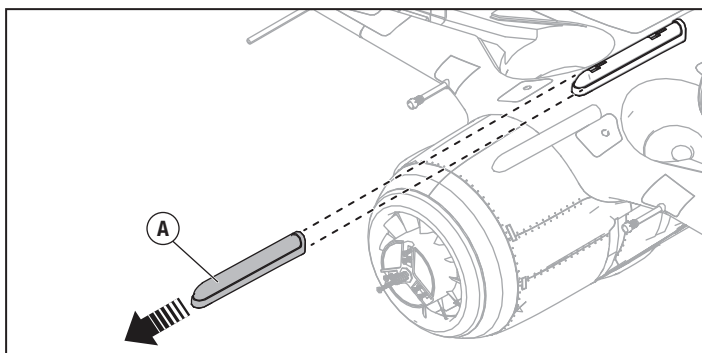
Montaggio del serbatoio sganciabile opzionale

1. Rimuovere il coperchio del supporto del serbatoio (A) dal supporto facendolo scorrere in avanti.
2. Far scorrere il serbatoio sganciabile opzionale (B) sulla rotaia (C) sul fondo della fusoliera.

Verificare la posizione del baricentro (CG) a serbatoio installato.

Vedere le istruzioni per la regolazione del CG per maggiori informazioni.

Smontare in ordine inverso.



Montaggio dell'elica

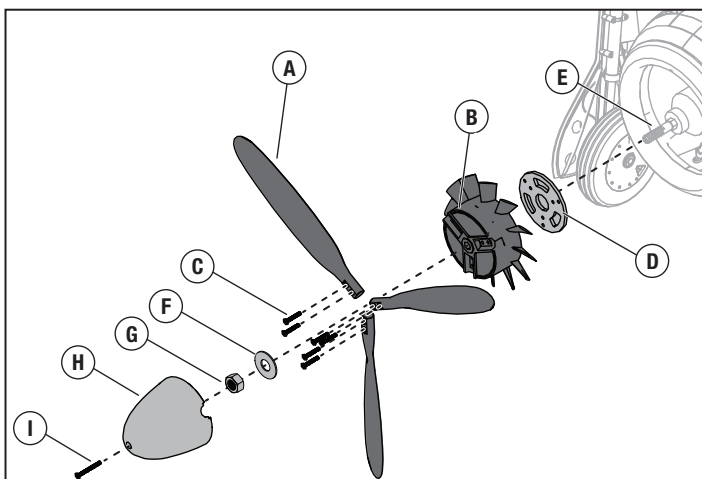
AVVERTENZA: montare l'elica solo dopo aver completato la configurazione del sistema. In caso contrario vi è il rischio di incorrere in lesioni personali gravi.

1. Fissare con una vite in alluminio la piastra posteriore (D) sul retro del mozzo della ventola di raffreddamento (B).
2. Montare le 3 pale dell'elica (A) sul mozzo della ventola di raffreddamento con le 6 viti (M3 x 16 mm) (C).

CONSIGLIO: i fori smussati per le viti dell'elica devono essere rivolti verso l'esterno dal mozzo della ventola di raffreddamento.

CONSIGLIO: prima di installare il mozzo della ventola di raffreddamento, assicurarsi che i fili dell'ESC non interferiscano con le pale della ventola di raffreddamento. Infilare i fili dell'ESC nell'apertura dell'ESC lontano dalle pale della ventola di raffreddamento.

3. Far scorrere il gruppo del mozzo della ventola di raffreddamento sull'albero (E). Assicurarsi che l'esagono del mozzo della ventola di raffreddamento corrisponda con l'esagono dell'albero.
4. Montare rondella (F) e dado dell'elica (G) sull'albero. Serrare con la chiave il gruppo del mozzo della ventola di raffreddamento nell'esagono dell'albero.
5. Allineare l'ogiva (H) sul gruppo del mozzo della ventola di raffreddamento. Fissarla con la vite (M3 x 32) (I). Nota: prestare attenzione a non serrare eccessivamente la vite dell'ogiva per non deformare l'ogiva.



C



Vite a testa svasata
M3 x 16 mm

I



Vite a testa svasata
M3 x 32 mm

Scelta e installazione della ricevente per la versione PNP

Il ricevitore consigliato per questo aeromodello è lo Spektrum AR637T. Se si sceglie di installare un ricevitore diverso, assicurarsi che si tratti di un modello a piena portata con almeno 6 canali. Fare riferimento al manuale del ricevitore scelto per le relative istruzioni di installazione e uso.

Installazione del ricevitore AR637T

1. Far scorrere indietro il fermo del cupolino (A) e sollevare il cupolino dal retro per rimuoverlo dalla fusoliera.
2. Collegare le superfici di controllo alle rispettive porte sul ricevitore come indicato nella tabella a destra.
3. Con del nastro biadesivo per servo (non fornito in dotazione), fissare il ricevitore alla superficie piatta dietro il vano batteria, come mostrato. Il ricevitore va montato secondo l'orientamento indicato, parallelamente alla lunghezza della fusoliera, con l'etichetta verso l'alto e le porte dei servo verso la parte anteriore del velivolo, come mostrato. L'orientamento del ricevitore è di importanza critica per tutte le configurazioni dei sistemi AS3X® e SAFE®.

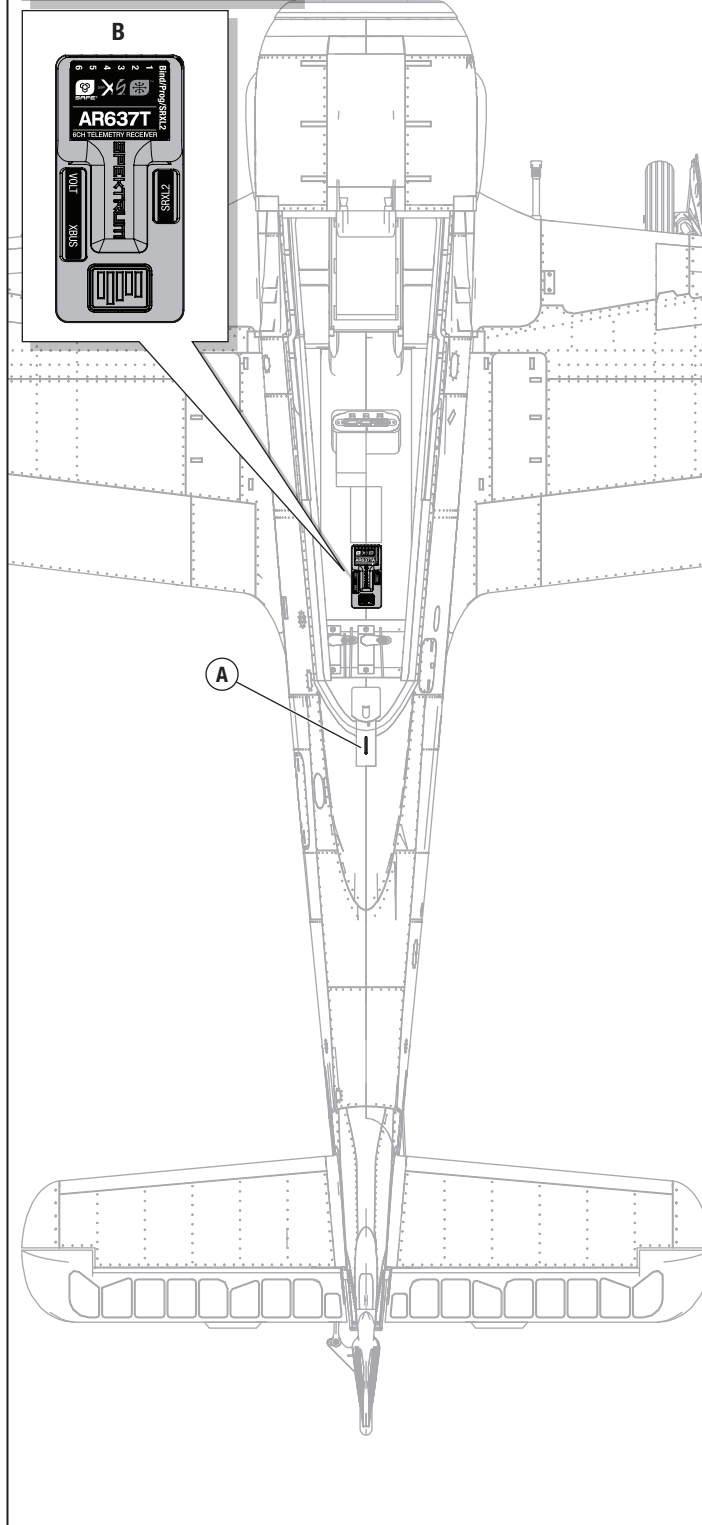


ATTENZIONE: l'installazione errata del ricevitore può causare perdita di controllo e schianto al suolo.

Assegnazione delle porte AR637T

BND/PRG = BIND

- 1 = Gas
- 2 = Alettone
- 3 = Equilibratore
- 4 = Timone
- 5 = Retrazione
- 6 = Flap



Installare la batteria e armare l'ESC

Scelta della batteria

Noi consigliamo una batteria Li-Po 5000 mAh 22,2V 6S 30C (SPMX50006S30). Consultare l'elenco parti opzionali per le altre batterie consigliate. In caso di utilizzo di una batteria diversa da quelle elencate, per consentirne l'alloggiamento in fusoliera, questa deve avere capacità, peso e dimensioni uguali a quelle della batteria Spektrum Smart Li-Po consigliata. Verificare anche che il baricentro (CG) si trovi nel punto indicato.

1. Portare completamente in basso lo stick motore e il suo trim. Accendere il trasmettitore e attendere 5 secondi.
2. Far scorrere indietro il fermo del cupolino e sollevare il retro del cupolino (A) per rimuoverlo.
3. Spingere il supporto batteria (B) fuori dal compartimento batteria.
4. Per maggiore sicurezza, applicare il lato soffice del nastro a strappo opzionale (C) sotto alla batteria e l'altro lato sul supporto batteria.
5. Installare la batteria completamente carica (D) sul bordo frontale del supporto batteria come illustrato e applicare del nastro a strappo (E) per fissarla.

CONSIGLIO: con la maggior parte delle batterie LiPo 6S 5000 mAh 30C, inserire la batteria il più in avanti possibile nel vano batteria. La batteria spingerà sulla parte anteriore del vassoio e si troverà vicino al retro del parafiamma.

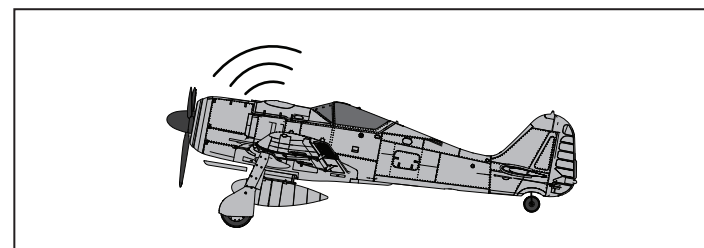
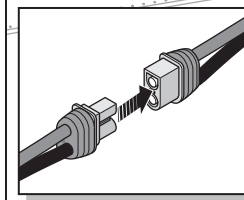
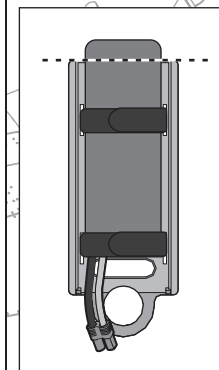
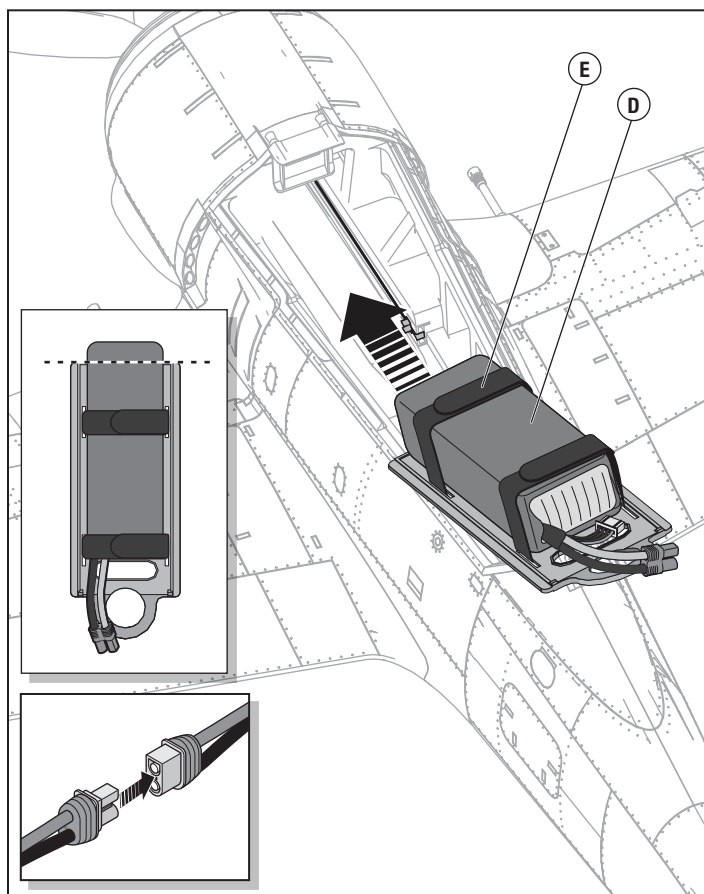
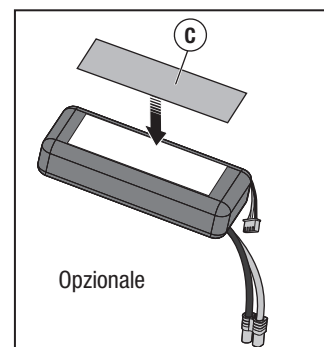
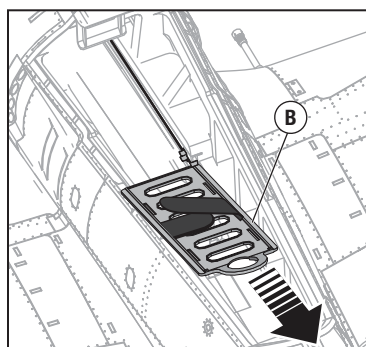
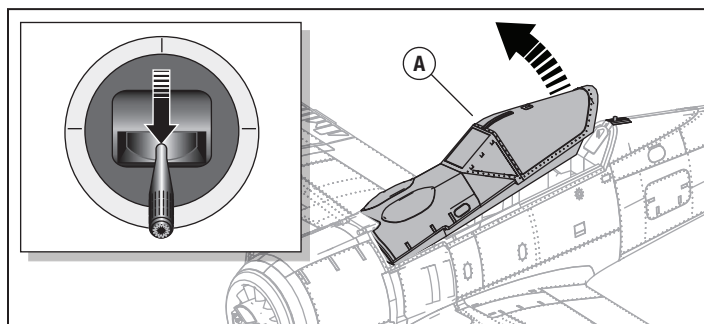
6. Allineare il supporto batteria con la guida del compartimento batteria e spingere il supporto in fondo fino a quando si aggancia.
7. Collegare la batteria all'ESC (che adesso è armato).
8. Tenere l'aereo immobile e al riparo dal vento, altrimenti il sistema non si inizializza.
 - L'ESC emetterà una serie di toni (per maggiori informazioni si veda il punto 6 della procedura di connessione).
 - Un LED si accenderà sul ricevitore.

Se l'ESC emette un doppio beep continuo dopo il collegamento della batteria, bisogna ricaricarla o sostituirla.

9. Rimettere la capottina batteria

AVVERTENZA: Tenere sempre le mani lontano dall'elica. Quando azionato, il motore farà girare l'elica in risposta a tutti i movimenti dell'acceleratore.

AVVERTENZA: se la trasmittente lo supporta, attivare sempre la funzione di taglio gas prima di avvicinarsi all'aeromodello quando la batteria è collegata.



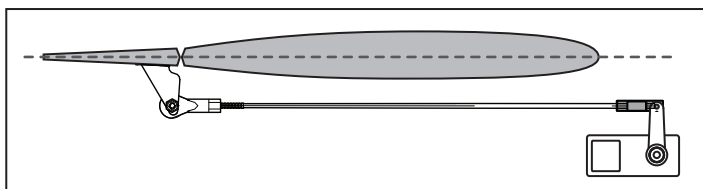
Centraggio delle superfici mobili

IMPORTANTE: prima di controllare il centraggio bisogna eseguire un test sulla direzione dei movimenti.

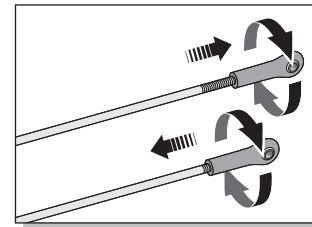
Mentre l'AS3X non è attivo (prima di avanzare il comando motore), bisogna centrare le superfici di controllo meccanicamente.

IMPORTANTE: per un corretto funzionamento del sistema AS3X, i trim e i sub-trim devono essere a zero.

Dopo aver connesso un trasmettitore al ricevitore sul modello, posizionare trim e sub-trim a 0, verificare che i bracci dei servi siano centrati, poi regolare le barrette per centrare meccanicamente le superfici di controllo.



- Girare le barrette in senso orario o antiorario per centrare le superfici.
- Dopo, fare i collegamenti ai bracci dei servi e alle squadrette.



Impostazione delle squadrette e dei bracci dei servi

La tabella a destra mostra le impostazioni di fabbrica per le squadrette e i braccetti dei servocomandi. Far volare il modello con queste impostazioni, prima di effettuare cambiamenti.

AVVISO: se cambiano le corse dei comandi rispetto a quelle di fabbrica, eventualmente bisogna intervenire anche sui valori di sensibilità dell'AR637T. Per eseguire tali regolazioni, fare riferimento al manuale della ricevente Spektrum AR637T.

Dopo aver volato, si può scegliere di cambiare le posizioni delle barrette dei comandi per avere una risposta diversa. Si veda la tabella a destra.

	Squadrette	Braccetti
Elevatore		
Alettone		
Direzionale		Ruota di coda
Flaps		

Maggior escursione	Minor escursione

Binding

Suggerimenti generali per il binding

- Il ricevitore incluso è stato programmato specificamente per questo aeromodello. In caso di sostituzione del ricevitore, consultare il manuale del ricevitore per impostarlo correttamente.
- Tenersi a distanza da grandi oggetti metallici durante la connessione.
- Non puntare l'antenna della trasmittente direttamente al ricevitore durante la connessione.
- Il LED arancione sul ricevitore inizia a lampeggiare rapidamente quando il ricevitore entra in modalità di binding.
- Una volta collegato, il ricevitore mantiene le impostazioni di binding per la trasmittente a cui è stato associato fino a quando non si esegue nuovamente il binding.
- Se il ricevitore perde la comunicazione con la trasmittente, il failsafe si attiva. Il failsafe sposta il canale del gas in posizione di gas basso. I canali di rollio e beccheggio si azionano per portare in maniera attiva il modello in volo livellato.
- In caso di problemi, consultare la guida alla risoluzione dei problemi o, se necessario, contattare il servizio di assistenza di Horizon Hobby.

Tecnologia SAFE Select, protezione opzionale dell'involucro di volo

La versione BNF Basic di questo modello include la tecnologia SAFE Select, che consente di scegliere il livello di protezione dell'involucro di volo. La modalità SAFE permette di impostare limiti di angolo e il ritorno automatico al volo livellato. La modalità AS3X fornisce al pilota una risposta diretta agli stick di comando. SAFE Select viene abilitato o disattivato durante il processo di binding.

Con SAFE Select disabilitato l'aereo è sempre in modalità AS3X. Con SAFE Select abilitato l'aereo è sempre in modalità SAFE Select, oppure è possibile assegnare un interruttore per passare tra le modalità SAFE Select e AS3X.

Grazie alla tecnologia SAFE Select, questo modello può dunque essere impostato in modalità SAFE non disinseribile, in modalità AS3X non disinseribile oppure è possibile assegnare a un interruttore la commutazione tra una modalità e l'altra.

IMPORTANTE: prima del binding, leggere in questo manuale la sezione relativa alle impostazioni della trasmittente e seguire la relativa tabella per programmare la trasmittente in modo corretto per questo modello.

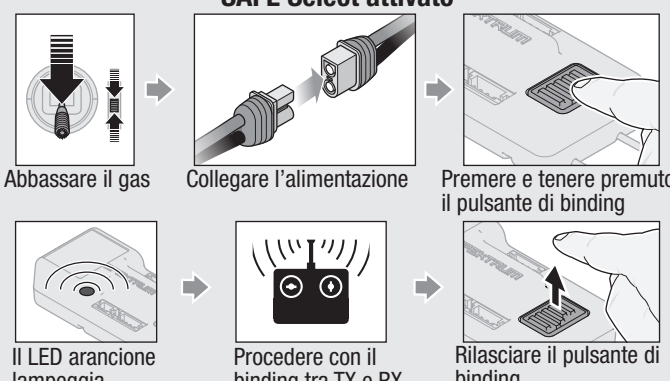
IMPORTANTE: spostare i comandi di volo della trasmittente (timone, equilibratori e alettoni) e il trim del gas in posizione neutra. Spostare il gas in basso prima e durante il binding.

Per completare la procedura di binding e SAFE Select, è possibile utilizzare il pulsante di binding sul ricevitore o il connettore di binding convenzionale.

Nota: se si utilizza un BEC ausiliario da un ESC installato nella porta di binding del ricevitore, scolgarlo per usare il connettore di binding.

Uso del pulsante di binding

SAFE Select attivato



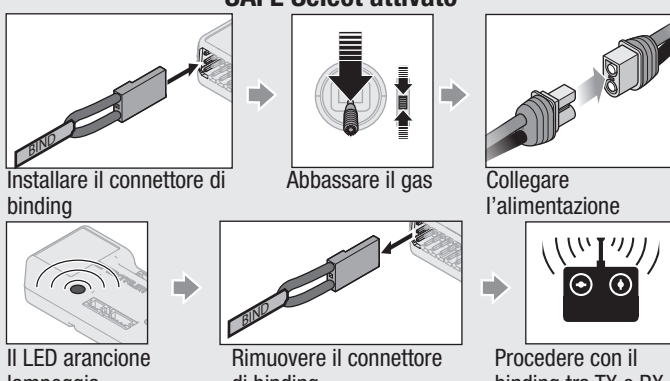
Abbassare il gas → Collegare l'alimentazione → Premere e tenere premuto il pulsante di binding

Il LED arancione lampeggia → Procedere con il binding tra TX e RX → Rilasciare il pulsante di binding

SAFE Select attivato: le superfici di controllo si muovono avanti e indietro **due volte** con una leggera pausa in posizione neutra ogni volta che il ricevitore viene acceso

Rimuovere il connettore di binding

SAFE Select attivato



Installare il connettore di binding → Abbassare il gas → Collegare l'alimentazione

Il LED arancione lampeggia → Rimuovere il connettore di binding → Procedere con il binding tra TX e RX

SAFE Select attivato: le superfici di controllo si muovono avanti e indietro **due volte** con una leggera pausa in posizione neutra ogni volta che il ricevitore viene acceso.

SAFE Select disattivato

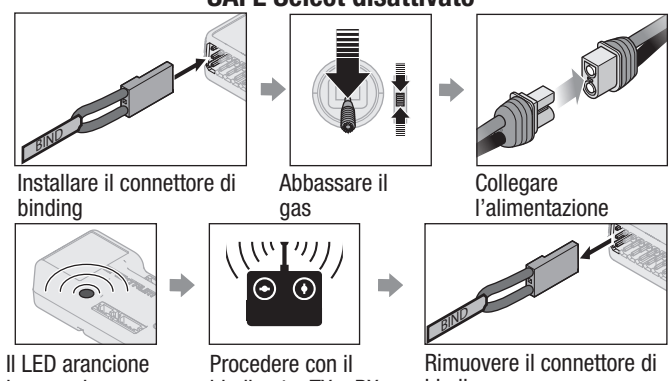


Abbassare il gas → Collegare l'alimentazione → Premere il pulsante di binding

Il LED arancione lampeggia → Rilasciare il pulsante di binding → Procedere con il binding tra TX e RX

SAFE Select disattivato: le superfici di controllo si muovono avanti e indietro **una volta** ogni volta che il ricevitore viene acceso.

SAFE Select disattivato



Installare il connettore di binding → Abbassare il gas → Collegare l'alimentazione

Il LED arancione lampeggia → Procedere con il binding tra TX e RX → Rimuovere il connettore di binding

SAFE Select disattivato: le superfici di controllo si muovono avanti e indietro **una volta** ogni volta che il ricevitore viene acceso.

*Failsafe

Il failsafe si attiva quando il ricevitore perde il collegamento con la trasmittente. Quando attivo, il failsafe sposta il canale del gas nella posizione di failsafe (gas basso) preimpostata durante il binding. Tutti gli altri canali si muovono collettivamente e in maniera attiva per posizionare l'aereo in una lenta virata discendente.

Assegnazione interruttore SAFE® Select

Una volta abilitata la funzione SAFE Select, è possibile scegliere se volare in modalità SAFE non disinseribile, oppure assegnarne l'attivazione a un interruttore. È possibile assegnare la funzione a uno qualsiasi degli interruttori dei canali da 5 e 9.

SUGGERIMENTO: se il modello ha una funzione ESC inversa, AUX2 non è disponibile per SAFE Select.

Se la funzione SAFE Select non è abilitata al momento del binding del velivolo, il modello volerà con la sola modalità AS3X.

ATTENZIONE: tenersi ben lontani dall'elica e assicurarsi che il velivolo sia ben trattenuto in caso di attivazione accidentale del gas.

IMPORTANTE: prima di assegnare un interruttore è necessario verificare:

- Che la funzione SAFE Select sia stata abilitata al momento del binding del velivolo.
- Che l'interruttore scelto per SAFE Select sia assegnato a un canale compreso tra 5 e 9 (Carrello, Aux1-4) e che la sua corsa sia impostata al 100% in entrambe le direzioni.
- Che la direzione di alettoni, equilibratore, timone e gas sia impostata su normale, non su inverso.
- Che la corsa di alettoni, equilibratore, timone e gas sia impostata sul 100%. Se si usano i dual rate, gli interruttori devono essere in posizione 100%.

Vedere il manuale della trasmittente per maggiori informazioni sull'assegnazione di un interruttore a un canale.

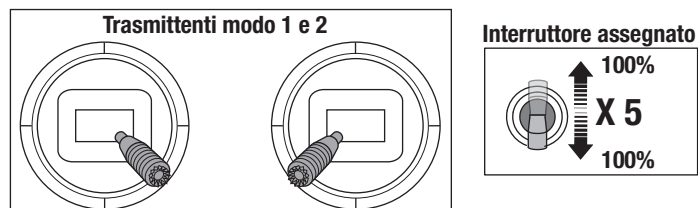
CONSIGLIO: se l'interruttore SAFE Select è richiesto per un velivolo a 6 funzioni e si utilizza una trasmittente a 6 canali, il canale dell'interruttore SAFE Select dovrà essere condiviso con il canale 5 o 6 della trasmittente. Questo non si applica alla NX6. Vedere il manuale di istruzioni della NX6 per maggiori informazioni.

Assegnazione di un interruttore

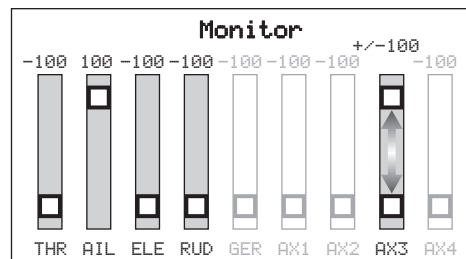
1. Accendere la trasmittente.
2. Accendere l'aeromodello.
3. Tenere entrambi gli stick della trasmittente rivolti verso il basso e verso l'interno e commutare rapidamente l'interruttore scelto per 5 volte (1 commutazione = una corsa completa in su e giù).
4. Le superfici di controllo del velivolo si muoveranno, indicando che l'interruttore è stato assegnato.

Ripetere la procedura per assegnare un interruttore diverso o per deselezionare l'interruttore corrente.

Posizioni degli stick per assegnare SAFE Select a uno switch



CONSIGLIO: usare il monitor dei canali per verificare il movimento del canale.



L'esempio qui riportato mostra le posizioni degli stick per l'assegnazione dell'interruttore, la selezione dell'interruttore su Aux3 e il +/- 100% di corsa sull'interruttore.

Telemetria SMART Technology™

Il ricevitore e l'ESC di questo velivolo integrano la tecnologia Spektrum SMART che può fornire informazioni telemetriche come il voltaggio e la temperatura della batteria. Per sfruttare la tecnologia SMART è necessario disporre di una trasmittente compatibile. Può inoltre essere necessario dover aggiornare il firmware della trasmittente.

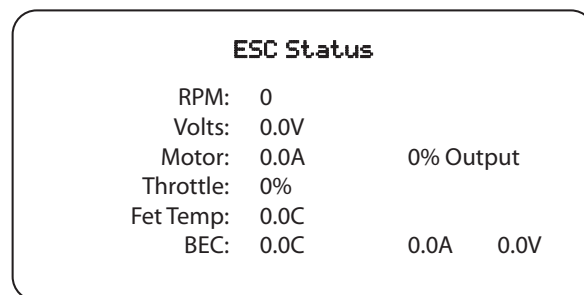
Per accedere a tutte le funzioni della tecnologia SMART, utilizzare batterie di volo Spektrum SMART. Oltre ai dati dell'ESC, le batterie Spektrum SMART possono inviare dati dettagliati attraverso il sistema con tecnologia SMART.

Per vedere la telemetria SMART:

1. Iniziare con la trasmittente già associata al ricevitore
2. Accendere la trasmittente.
3. Accendere l'aeromodello.
4. Il logo SMART appare sotto il logo della batteria nella pagina iniziale. Una barra di segnale appare nell'angolo superiore sinistro dello schermo.
5. Scorrere oltre il monitor dei servo per accedere alle schermate della tecnologia SMART.

* Se la trasmittente che si intende utilizzare con questo aeromodello non visualizza i dati telemetrici, visitare il sito spektrumrc.com e aggiornare il firmware. Una volta installato il firmware più recente, l'opzione telemetria dovrebbe risultare operativa.

Per maggiori informazioni sulle trasmittenti compatibili, gli aggiornamenti firmware e sull'utilizzo della tecnologia SMART della trasmittente, visitare il sito spektrumrc.com.



Test di controllo della direzione

Accendere la trasmittente e collegare la batteria. Usare la trasmittente per azionare i comandi di alettone, equilibratore e timone. Controllare il movimento delle superfici di controllo guardando il velivolo dal retro.

La versione BNF Basic di questo modello ha un mix timone-alettoni incorporato, quando gli alettoni sono deviati, il timone si muove.

Elevatore

1. Tirare verso di sé. Gli elevatori devono spostarsi verso l'alto, causando il beccheggio verso l'alto del velivolo.
2. Spingere lo stick dell'elevatore in avanti. Gli elevatori devono spostarsi verso il basso, causando il beccheggio verso il basso del velivolo.

Alettoni


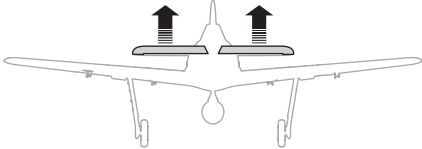

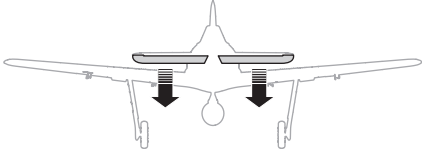
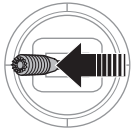

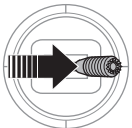

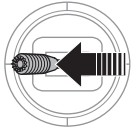
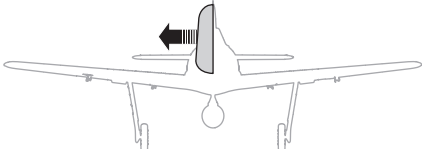
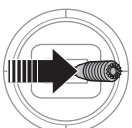
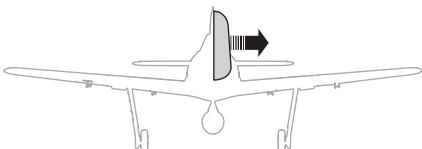
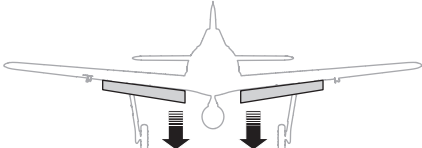
1. Muovere lo stick dell'alettone a sinistra. Gli alettoni di sinistra devono muoversi verso l'alto e quelli di destra verso il basso, manovra che induce il velivolo a inclinarsi a sinistra.
2. Muovere lo stick dell'alettone a destra. Gli alettoni destri devono muoversi verso l'alto e quelli di sinistra verso il basso, manovra che induce il velivolo a inclinarsi a destra.

Timone

1. Muovere lo stick del timone a sinistra. Il timone deve spostarsi a sinistra, manovra che induce l'imbardata del velivolo a sinistra.
2. Spostare lo stick del timone a destra. Il timone deve spostarsi a destra, manovra che induce l'imbardata del velivolo a destra.

Flaps

1. Spostare l'interruttore di comando dei flaps in basso nella posizione "half flaps".
2. Verificare che i flap alari si muovano verso il basso.
3. Muovere l'interruttore di comando dei flaps nella posizione "full flaps".
4. Verificare che i flap scendano ulteriormente rispetto al passaggio due.

	Comando trasmittente	Tisposta aereo
Elevatore		
		
Alettone		
		
Direzionale		
		
Flaps		

Verificare il verso dei controlli AS3X

Questa prova serve per assicurarsi che il sistema AS3X funzioni correttamente. Prima di fare questa prova, montare l'aereo e connettere (bind) la trasmittente con la ricevente.

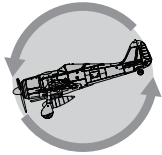
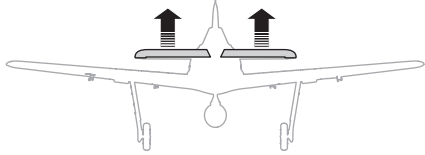
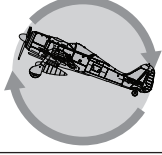
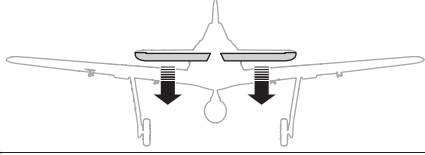
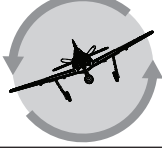
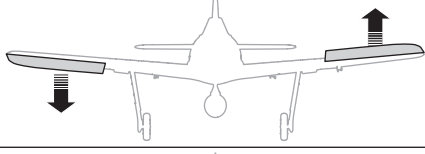
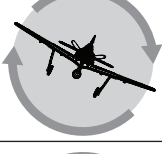
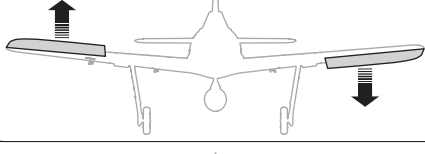
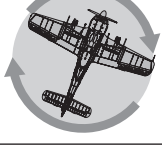
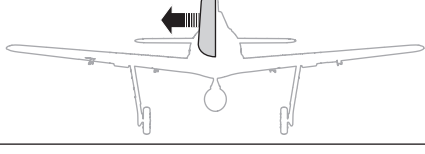

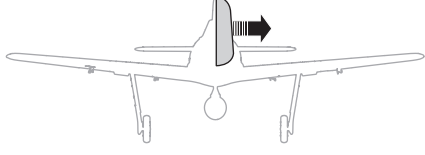
1. Attivare il sistema AS3X alzando il comando motore oltre il 25% e poi abbassandolo completamente.

ATTENZIONE: tenere parti del corpo, capelli e lembi di vestiario non aderente lontani dall'elica, per evitare che possano impigliarsi.

IMPORTANTE: La programmazione della ricevente AR637T per quest'aeromodello aumenta il movimento delle superfici di controllo quando i flap sono completamente abbassati.

2. Muovere l'aereo come indicato per accertarsi che le superfici di controllo si muovano come indicato nell'illustrazione. Se le superfici di controllo non dovessero rispondere nel modo indicato, non fare volare l'aereo. Per maggiori informazioni si vedano le istruzioni della ricevente.

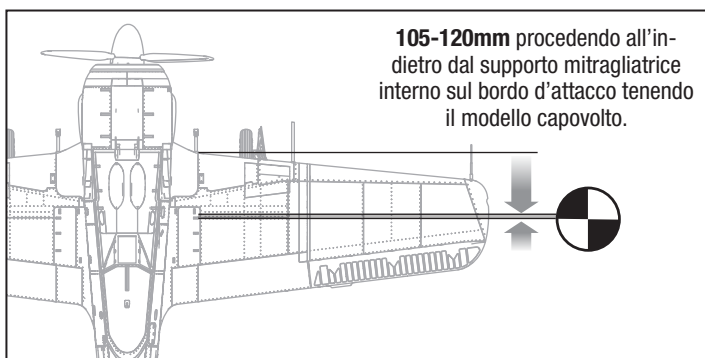
Quando il sistema AS3X è attivo, le superfici di controllo dell'aereo si muovono rapidamente. Questo è normale. L'AS3X resterà attivo finché non si scollega la batteria.

	Movimenti dell'aereo	Reazione AS3X
Elevatore		
		
Alettone		
		
Direzionale		
		

Center of Gravity (CG)

La posizione del CG va misurata procedendo all'indietro dal supporto mitragliatrice interno sul bordo d'attacco tenendo il modello capovolto. La posizione del baricentro è stata determinata dopo aver installato la batteria LiPo consigliata (SPMX50006S30) in posizione tutta avanti nel vano portabatteria. La batteria spingerà sulla parte anteriore del vassoio e si troverà vicino al retro del parafiamma.

ATTENZIONE: Installare la batteria nel velivolo, ma non armare l'ESC durante la verifica del baricentro. Elevato rischio di lesioni personali.

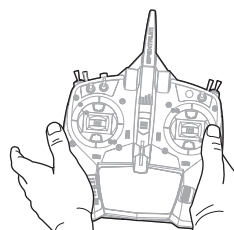


Trimmaggio durante il volo

Durante il primo volo, effettuare il trimmaggio per il volo livellato a 3/4 del gas con i flap in posizione neutra ed il carrello d'atterraggio retracts. Regolare il trim leggermente con gli interruttori per il trim della vostra trasmittente per portare il modello in volo lineare.

Dopo aver regolato i trim, non toccare gli stick per almeno 3 secondi. Questo permette alla ricevente di memorizzare le impostazioni corrette per ottimizzare le prestazioni dell'AS3X.

In caso contrario si pregiudicherebbero le prestazioni di volo.



3 secondi

Consigli per il volo e riparazioni

Prima di scegliere un posto dove volare, consultare le leggi e le ordinanze locali.

Prova di portata del radiocomando

Prima di andare in volo è necessario fare una prova di portata del radiocomando. Per maggiori informazioni si faccia riferimento al manuale del trasmettitore.

Oscillazioni

Quando il sistema AS3X è attivo (dopo aver portato in avanti il comando motore per la prima volta), si vedranno le superfici di controllo reagire ai movimenti dell'aereo. In alcune condizioni di volo si potrebbero notare delle oscillazioni (l'aereo si muove avanti e indietro su di un asse a causa di un sovra controllo). Nel caso si verificano queste oscillazioni, diminuire la velocità dell'aereo. Se le oscillazioni rimangono bisogna fare riferimento alla Guida per la risoluzione dei problemi, per avere maggiori informazioni.

Decollo

Mettere l'aereo contro vento. Impostare il trasmettitore con le corse ridotte e agire sull'interruttore dei flap per abbassarli a metà corsa. Aumentare gradualmente il motore fino a 3/4 e mantenere la direzione con il timone. I flap accorciano il decollo. Appena la coda si stacca da terra, tirare delicatamente indietro lo stick dell'elevatore. Quando si è in aria, agire sull'interruttore del carrello per reinarlo. Salire fino ad una quota di sicurezza e riportare i flap a zero.

Volare

Per i primi voli con la batteria consigliata (SPMX50006S30), impostare il timer del trasmettitore su 3 minuti. Dopo 3 minuti far atterrare l'aereo. Dopo i primi voli si potrà aumentare o diminuire il tempo in base ai risultati ottenuti. Se in qualsiasi momento il motore pulsa, atterrare immediatamente per ricaricare la batteria del modello. Si veda la sezione Spegnimento per bassa tensione (LVC) per avere maggiori dettagli su come migliorare il rendimento della batteria e il tempo di volo.

Atterraggio

Atterrare sempre contro vento. Per l'atterraggio usare la corsa massima dell'elevatore. Mantenere sempre un po' di motore per tutta la discesa riducendolo ad 1/4 e abbassare i flap al massimo. I flap rendono l'avvicinamento più ripido e più lento e permettono di fare un atterraggio più dolce. Abbassare il carrello agendo sul suo interruttore. Questo rallenta ulteriormente l'aereo.

Mantenere sempre il motore acceso finché l'aereo non è pronto per la richiamata finale, durante la quale bisogna tenere le ali livellate e l'aereo rivolto contro vento. Ridurre lentamente il motore mentre si tira indietro lo stick dell'elevatore per portare l'aereo ad appoggiarsi sulle ruote.

Se si atterra sull'erba, è meglio tenere l'elevatore completamente in alto anche dopo l'atterraggio e durante il rullaggio per evitare che il muso si impunti.

Suggerimenti per il volo con SAFE® Select

In modalità SAFE Select, l'aereo riprende a volare in volo livellato ogni volta che i comandi di equilibratore e alettoni sono in posizione neutra. L'azionamento di alettoni o equilibratore porta il velivolo a inclinarsi, cabrare o picchiare. La corsa dello stick determina l'assetto di volo assunto dal velivolo. Dando pieno comando, il velivolo viene spinto ai limiti preimpostati di inclinazione e rollio, senza superare però tali angoli.

Quando si vola con SAFE Select è normale tenere lo stick di comando deflesso con applicazione moderata degli alettoni in virata. Per mantenere una risposta ai comandi fluida con SAFE Select, evitare cambi frequenti di controllo e non tentare di correggere le deviazioni minori. Mantenere i comandi in assetto intenzionale porta il modello a volare con un angolo specifico e a eseguire tutte le correzioni necessarie per mantenere tale assetto di volo.

Quando si vola con SAFE Select, il comando del gas fa salire o scendere l'aereo. Con il gas al massimo, l'aereo alza il muso e cabra leggermente. Il gas a metà mantiene il modello in volo livellato. Il gas basso porta l'aereo a scendere con muso leggermente verso il basso.

Riportare i comandi di elevatore e alettoni in posizione neutra prima di passare dalla modalità SAFE Select alla modalità AS3X. Poiché gli input di comando utilizzati per la modalità SAFE Select sono eccessivi se usati per la modalità AS3X, il velivolo reagirà immediatamente se si passa ad AS3X senza aver portato prima i comandi in posizione neutra.

Una volta a terra, evitare virate strette finché l'aereo non ha rallentato abbastanza per evitare di raschiare a terra le estremità alari.



AVVERTENZA: quando l'elica tocca terra, ridurre sempre il motore.

AVVISO: nell'imminenza di un impatto ridurre completamente il motore, altrimenti si potrebbero avere danni maggiori alla struttura e anche all'ESC e al motore.

AVVISO: dopo un impatto, verificare che il ricevitore sia rimasto al suo posto in fusoliera. Se si deve sostituire il ricevitore, bisogna avere cura di rimontare quello nuovo allo stesso posto e con lo stesso orientamento, altrimenti si potrebbero avere problemi.

AVVISO: i danni dovuti ad un impatto non sono coperti da garanzia.

AVVISO: quando si terminano i voli, non lasciare mai l'aereo sotto i raggi diretti del sole o dentro un'auto surriscaldata, altrimenti si potrebbe danneggiare il materiale espanso con cui è fatto.

Spegnimento per bassa tensione (LVC)

Se una batteria LiPo si scarica sotto i 3V per cella, non potrà mantenere la carica. L'ESC protegge la batteria dalla sovra scarica usando questa funzione LVC. Prima che la carica della batteria diminuisca troppo, l'LVC toglie l'alimentazione al motore, il quale pulsa per indicare che la parte rimanente di carica è riservata al radiocomando per poter fare un atterraggio sicuro.

Dopo l'uso scollegare la batteria LiPo e toglierla dall'aereo per evitare che si scarichi lentamente. Prima di riporre la batteria LiPo per lungo tempo, caricarla a metà. Ogni tanto controllare la sua tensione per evitare che scenda sotto i 3V per cella. Ovviamente la funzione LVC in questo caso non interviene per proteggere la batteria.

AVVISO: se la funzione LVC interviene ripetutamente, la batteria si danneggia comunque.

CONSIGLIO: controllare la tensione della batteria prima e dopo il volo usando un tester per batterie LiPo (SPMXBC100, venduto separatamente).

Riparazioni

Grazie al materiale in schiuma EPO di cui è fatto questo aereo, per la riparazione del materiale espanso è possibile usare virtualmente qualsiasi adesivo (colla a caldo, cianoacrilato, colla epossidica, ecc.) Se la riparazione non fosse possibile, vedere l'elenco dei ricambi in fondo a questo manuale per ordinarli con il numero di codice.

AVVISO: l'uso dell'accelerante per la colla CA potrebbe danneggiare la vernice. NON maneggiare l'aereo finché l'accelerante non è completamente asciutto.

Differenze tra le modalità SAFE Select e AS3X

Questa sezione è in linea di massima accurata, ma non tiene conto della velocità di volo, dello stato di carica della batteria e di molti altri fattori limitanti.

		SAFE Select	AS3X
Input di comando	Stick di comando su neutro	Il velivolo torna automaticamente in volo livellato	Il velivolo mantiene l'assetto corrente
	Applicazione comandi parziale	Il velivolo applica angoli moderati di rollio e beccheggio e mantiene l'assetto	Il velivolo continua la manovra di rollio o beccheggio lentamente
	Applicazione comandi piena	Il velivolo si inclinerà od oscillerà ai limiti predeterminati e manterrà l'assetto	Il velivolo continuerà a rullare od oscillare rapidamente
	Manetta	Gas al massimo: Cabrata Neutro: Volo livellato Gas basso: Discesa a muso giù	La manetta non influisce sulla risposta di volo.

Dopo il volo

1	Scollegare la batteria di volo dal controllo elettronico di velocità (ESC) (operazione obbligatoria per la sicurezza e la durata della batteria).
2	Spegnere il trasmettitore.
3	Rimuovere la batteria di volo dall'aereo.
4	Ricaricare la batteria di volo.

5	Riparare o sostituire tutti i componenti danneggiati.
6	Conservare la batteria di volo separatamente dal velivolo e monitorare la carica della batteria.
7	Prendere nota delle condizioni di volo e dei risultati del volo, per pianificare i voli futuri.

Manutenzione motore

ATTENZIONE: scollegare sempre la batteria di volo prima di procedere alla manutenzione del motore.

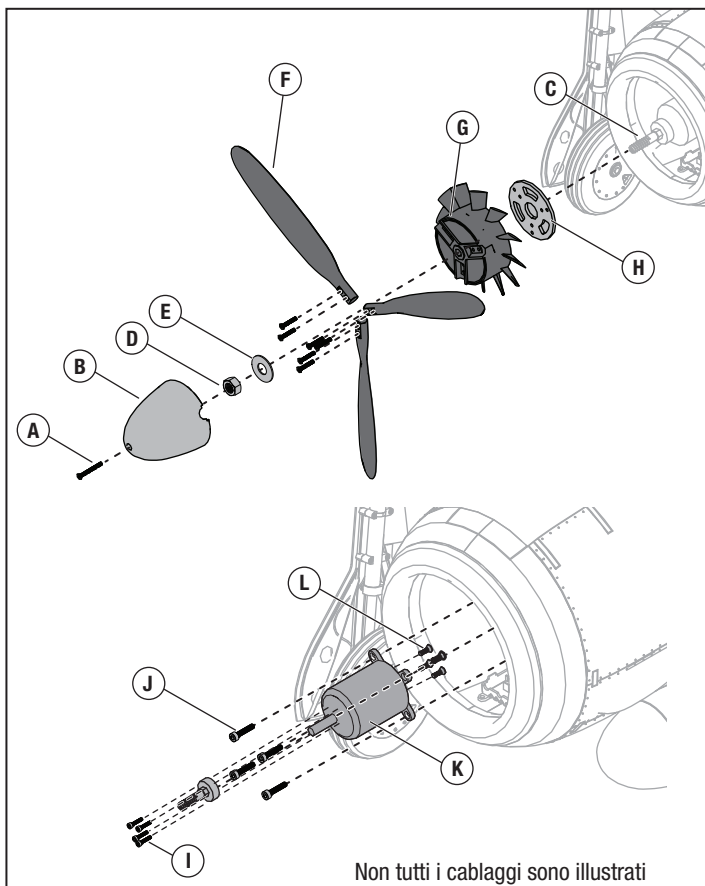
Smontaggio

1. Rimuovere la vite (A) e l'ogiva (B) dall'albero dell'elica (C).
2. Rimuovere il dado (D) e la rondella dell'elica (E).
3. Rimuovere elica (F), ventola di raffreddamento (G) e piastra posteriore (H) dall'albero.
4. Rimuovere le 4 viti (I) dall'albero e rimuovere dall'albero motore.
5. Scollegare i fili del motore dai fili dell'ESC.
6. Rimuovere le 4 viti (J) e il motore (K) dal supporto del motore.
7. Rimuovere le 4 viti (L) dal motore e rimuovere il supporto a X.

Montaggio

Montare in ordine inverso.

- Allineare e collegare correttamente i colori dei fili del motore con i fili dell'ESC.
- Serrare il dado dell'elica con una chiave



Guida alla soluzione dei problemi AS3X

Problema	Possibile causa	Soluzione
Oscillazioni	Elica o ogiva danneggiate	Sostituire l'elica o l'ogiva
	Elica sbilanciata	Bilanciare l'elica. Per ulteriori informazioni si veda il video specifico sul bilanciamento dell'elica su www.horizonhobby.com
	Vibrazioni del motore	Sostituire o allineare correttamente tutte le parti stringendo le relative viti
	Ricevente non fissata bene	Sistemare e fissare la ricevente adeguatamente nella fusoliera
	Comandi allentati	Verificare e fissare bene tutte le parti (servi, squadrette, rinvii, comandi, ecc.)
	Parti usurate	Sostituire le parti usurate (specialmente l'elica, l'ogiva o servocomandi)
	Rotazione irregolare dei servocomandi	Sostituire il servocomando
Prestazioni di volo non coerenti	Trim non centrato	Se fosse necessario spostare il trim per più di 8 click, allora conviene regolare la forcella e riportare il trim al centro
	Sub-trim non centrato	I sub trim non sono permessi. Regolare i rinvii dei servocomandi
	L'aereo non è rimasto immobile per 5 secondi dopo la connessione della batteria	Scollegare e ricollegare la batteria mantenendo l'aereo immobile per almeno 5 secondi con lo stick motore completamente in basso
Risposta non corretta al controllo della direzione dei comandi sull'AS3X	Impostazione sbagliata delle direzioni sulla ricevente che può causare un incidente	NON volare. Prima di mandare in volo il modello, correggere le direzioni facendo riferimento al manuale della ricevente

Guida alla soluzione dei problemi

Problema	Possibile causa	Soluzione
L'aereo non risponde al comando motore, ma gli altri comandi rispondono	Lo stick motore e/o il suo trim non sono posizionati in basso	Resetare i comandi con stick e trim motore completamente in basso
	La corsa del servo è minore del 100%	Regolare la corsa ad almeno il 100%
	Il canale del motore è invertito	Invertire il canale del motore
	Il motore è scollegato dal ricevitore	Verificare all'interno della fusoliera che il motore sia collegato al ricevitore
Rumore e vibrazioni dell'elica oltre la norma	Elica, motore, ogiva, adattatore danneggiati	Sostituire le parti danneggiate
	L'elica è sbilanciata	Bilanciare o sostituire l'elica
	Il dado dell'elica si è allentato	Stringere il dado dell'elica
Durata del volo ridotta o aereo sottopotenziato	Batteria di bordo quasi scarica	Ricaricare la batteria di bordo
	Elica montata al contrario	Montare l'elica nel verso giusto
	Batteria di bordo danneggiata	Sostituire la batteria di bordo e seguire le istruzioni
	Ambiente di volo troppo freddo	Verificare che la batteria sia tiepida prima del volo
	La capacità della batteria è troppo bassa per le condizioni di volo	Sostituire la batteria con una più grande
L'aereo non si connette (durante il "binding") al trasmettitore	Il trasmettitore è troppo vicino all'aereo durante la procedura	Spegnere il trasmettitore e allontanarlo maggiormente dall'aereo e poi rifare la procedura
	Il trasmettitore è troppo vicino a grossi oggetti metallici, a sorgenti WiFi o ad altri trasmettitori	Spostare l'aereo e il trasmettitore in un'altra posizione e poi rifare la procedura
	Il "bind plug" non è stato inserito correttamente	Inserire correttamente il "bind plug" e poi rifare la procedura
	Le batterie di trasmettitore/ricevitore sono quasi scariche	Sostituire/ricaricare le batterie
	Il pulsante o l'interruttore appositi non sono stati trattenuti in posizione, abbastanza a lungo, durante la procedura	Spegnere il trasmettitore e rifare la procedura trattenendo più a lungo il pulsante o l'interruttore appositi
L'aereo non si connette (dopo il "binding") al trasmettitore	Il trasmettitore è troppo vicino all'aereo durante la procedura	Spegnere il trasmettitore e allontanarlo maggiormente dall'aereo e poi rifare la procedura
	Il trasmettitore è troppo vicino a grossi oggetti metallici, a sorgenti WiFi o ad altri trasmettitori	Spostare l'aereo e il trasmettitore in un'altra posizione e poi rifare la procedura
	Il "bind plug" è rimasto inserito nella sua porta	Rifare la procedura e poi togliere il "bind plug" prima di spegnere e riaccendere
	L'aereo è connesso con una memoria diversa (solo radio ModelMatch)	Scegliere la memoria giusta sul trasmettitore e rifare la procedura
	Le batterie dell'aereo e del trasmettitore sono quasi scariche	Sostituire o ricaricare le batterie
	Il trasmettitore potrebbe essere stato connesso ad un aereo diverso con un altro protocollo DSM	Connettere l'aereo al trasmettitore
Le superfici di controllo non si muovono	Superfici di comando, squadrette, comandi o servi danneggiati	Riparare o sostituire le parti danneggiate
	Fili danneggiati o connessioni allentate	Controllare i fili e le connessioni facendo poi le debite riparazioni
	Trasmettitore non connesso correttamente o scelta del modello sbagliato	Scegliere il modello giusto o rifare la connessione
	La batteria di bordo è scarica	Ricaricare completamente la batteria di bordo
	Il BEC del regolatore (ESC) è danneggiato	Sostituire l'ESC
Controlli invertiti	Le impostazioni sul trasmettitore sono invertite	Eseguire il controllo sulla direzione dei comandi e sistemare adeguatamente il trasmettitore
Il motore pulsa e perde potenza	La tensione della batteria è scesa sotto il suo valore minimo e quindi si è attivata la funzione LVC sul regolatore	Ricaricare o sostituire la batteria
	La temperatura ambiente potrebbe essere troppo alta	Attendere che la temperatura ambiente diminuisca
	La batteria è vecchia, usurata o danneggiata	Sostituire la batteria
	Il valore di C della batteria è troppo basso	Usare solo le batterie consigliate

Parti di ricambio

Parte #	Descrizione
EFL01255	Porta batterie con cinghie: P-51D 1.5m
EFL01351	Cupolino con pilota; Fw 190A 1.5m
EFL01352	Perno portello fusoliera; Fw 190A 1.5m
EFL01353	Fusoliera; Fw 190A 1.5m
EFL01354	Piano di coda orizzontale; Fw 190A 1.5m
EFL01355	Longherone piano di coda; Fw 190A
EFL01357	Ogiva con piastra; Fw 190A
EFL01358	Set elica; Fw 190A 1.5m
EFL01359	Sezione alare centrale; Fw 190A 1.5m
EFL01360	Semiala destra; Fw 190A 1.5m
EFL01361	Semiala sinistra; Fw 190A 1.5m
EFL01362	Set viti; Fw 190A 1.5m
EFL01363	Set carrello principale; Fw 190A 1.5m
EFL01364	Perni/anelli elastici retrazione; Fw 190A
EFL01365	Portelli carrello di atterraggio; Fw 190A
EFL01366	Accessori in scala; Fw 190A
EFL01367	Set aste di comando; Fw 190A 1.5m
EFL01368	Coperchi servo; Fw 190A 1.5m
EFL01369	Set decalcomanie; Fw 190A 1.5m
EFL01370	Adattatore elica motore; Fw 190A
EFL01371	Set supporto motore; Fw 190A 1.5m
EFL01372	Spine semiale; Fw 190A 1.5m
EFL01373	Spine a mani libere; Fw 190A 1.5m
EFL01374	Gruppo ruotino di coda; Fw 190A
EFL01376	Assali ruote; Fw 190A 1.5m
EFLG01376	Set retrazione; Fw 190A 1.5m
EFLG01377	Perni gambe carrello; Fw 190A 1.5m
EFLG01378	Gruppo gamba sx; Fw 190A
EFLG01379	Gruppo gamba dx; Fw 190A
EFLG01380	Unità motore retrazione; Fw 190A 1.5m
SPMAR637T	Ricevitore AR637T 6 CH AS3X telemetrico
SPMSA430	Servo 17 g
SPMXAE1100	Smart ESC 6S Avian 100 A Brushless
SPMXAM1000	Motore BL 4258-460 Kv 14-Pole

Parti consigliate

Parte #	Descrizione
SPMR6775	NX6 6 Ch DSMX solo trasmittente
SPMX50006S30	5000 mAh 6S 22,2 V Smart 30C; IC5
SPMXC1080	Caricabatterie Smart S1100 CA, 1x100 W
SPMXCA507	Adattatore: Da IC3 batteria a IC5 dispositivo

Parti opzionali

Parte #	Descrizione
SPMXBC100	Tester batterie Smart
SPM6722	Custodia TX Spektrum velivolo singolo
SPMXC1000	Caricabatterie Smart S1200 CC, 1x200 W
SPMXC10201	Alimentatore 30 A 540 W
SPMA3032	Nastro in schiuma Spektrum
SPMR8200	NX8 8 Ch DSMX Transmitter Only
SPMR8105	DX8e 8 Ch DSMX Transmitter Only

Garanzia limitata

Periodo di garanzia

La garanzia esclusiva - Horizon Hobby, LLC (Horizon) garantisce che i prodotti acquistati (il "Prodotto") sono privi di difetti relativi ai materiali e di eventuali errori di montaggio. Il periodo di garanzia è conforme alle disposizioni legali del paese nel quale il prodotto è stato acquistato. Tale periodo di garanzia ammonta a 6 mesi e si estende ad altri 18 mesi dopo tale termine.

Limiti della garanzia

- (a) La garanzia è limitata all'acquirente originale (Acquirente) e non è cedibile a terzi. L'acquirente ha il diritto a far riparare o a far sostituire la merce durante il periodo di questa garanzia. La garanzia copre solo quei prodotti acquistati presso un rivenditore autorizzato Horizon. Altre transazioni di terze parti non sono coperte da questa garanzia. La prova di acquisto è necessaria per far valere il diritto di garanzia. Inoltre, Horizon si riserva il diritto di cambiare o modificare i termini di questa garanzia senza alcun preavviso e di escludere tutte le altre garanzie già esistenti.
- (b) Horizon non si assume alcuna garanzia per la disponibilità del prodotto, per l'adeguatezza o l'idoneità del prodotto a particolari previsti dall'utente. È sola responsabilità dell'acquirente il fatto di verificare se il prodotto è adatto agli scopi da lui previsti.
- (c) Richiesta dell'acquirente – spetta soltanto a Horizon, a propria discrezione riparare o sostituire qualsiasi prodotto considerato difettoso e che rientra nei termini di garanzia. Queste sono le uniche rivalse a cui l'acquirente si può appellare, se un prodotto è difettoso. Horizon si riserva il diritto di controllare qualsiasi componente utilizzato che viene coinvolto nella rivalsa di garanzia. Le decisioni relative alla sostituzione o alla riparazione avvengono solo in base alla discrezione di Horizon. Questa garanzia non copre dei danni superficiali o danni per cause di forza maggiore, uso errato del prodotto, negligenza, uso ai fini commerciali, o una qualsiasi modifica a qualsiasi parte del prodotto. Questa garanzia non copre danni dovuti ad una installazione errata, ad un funzionamento errato, ad una manutenzione o un tentativo di riparazione non idonei a cura di soggetti diversi da Horizon. La restituzione del prodotto a cura dell'acquirente, o da un suo rappresentante, deve essere approvata per iscritto dalla Horizon.

Limiti di danno

Horizon non si riterrà responsabile per danni speciali, diretti, indiretti o consequenziali; perdita di profitto o di produzione; perdita commerciale connessa al prodotto, indipendentemente dal fatto che la richiesta si basa su un contratto o sulla garanzia. Inoltre la responsabilità di Horizon non supera mai in nessun caso il prezzo di acquisto del prodotto per il quale si chiede la responsabilità. Horizon non ha alcun controllo sul montaggio, sull'utilizzo o sulla manutenzione del prodotto o di combinazioni di vari prodotti. Quindi Horizon non accetta nessuna responsabilità per danni o lesioni derivanti da tali circostanze. Con l'utilizzo e il montaggio del prodotto l'utente acconsente a tutte le condizioni, limitazioni e riserve di garanzia citate in questa sede. Qualora l'utente non fosse pronto ad assumersi tale responsabilità associata all'uso del prodotto, si suggerisce di restituire il prodotto intatto, mai usato e immediatamente presso il venditore.

Indicazioni di sicurezza

Questo è un prodotto sofisticato di hobbistica e non è un giocattolo. Esso deve essere manipolato con cautela, con giudizio e richiede delle conoscenze basilari di meccanica e delle facoltà mentali di base. Se il prodotto non verrà manipolato in maniera sicura e responsabile potrebbero risultare delle lesioni, dei gravi danni a persone, al prodotto o all'ambiente circostante. Questo prodotto non è concepito per essere usato dai bambini senza una diretta supervisione di un adulto. Il manuale del prodotto contiene le istruzioni di sicurezza, di funzionamento e di manutenzione del prodotto stesso. È fondamentale leggere e seguire tutte le istruzioni e le avvertenze nel manuale prima di mettere in funzione il prodotto. Solo così si eviterà un utilizzo errato e di preverranno incidenti, lesioni o danni.

Domande, assistenza e riparazioni

Il vostro negozio locale e/o luogo di acquisto non possono fornire garanzie di assistenza o riparazione senza previo colloquio con Horizon. Questo vale anche per le riparazioni in garanzia. Quindi in tali casi bisogna interpellare un rivenditore, che si metterà in contatto subito con Horizon per prendere una decisione che vi possa aiutare nel più breve tempo possibile.

Manutenzione e riparazione

Se il prodotto deve essere ispezionato o riparato, si prega di rivolgersi ad un rivenditore specializzato o direttamente ad Horizon. Il prodotto deve essere imballato con cura. Bisogna far notare che i box originali solitamente non sono adatti per effettuare una spedizione senza subire alcun danno. Bisogna effettuare una spedizione via corriere che fornisce una tracciabilità e un'assicurazione, in quanto Horizon non si assume alcuna responsabilità in relazione alla spedizione del prodotto. Inserire il prodotto in una busta assieme ad una descrizione dettagliata dei problemi e ad una lista di tutti i singoli componenti spediti. Inoltre abbiamo bisogno di un indirizzo completo, di un numero di telefono per rivolgere ulteriori domande e di un indirizzo e-mail.

Garanzia a riparazione

Le richieste in garanzia verranno elaborate solo se è presente una prova d'acquisto in originale proveniente da un rivenditore specializzato autorizzato, nella quale è ben visibile la data di acquisto. Se la garanzia viene confermata, allora il prodotto verrà riparato o sostituito. Questa decisione spetta esclusivamente a Horizon Hobby.

Riparazioni a pagamento

Se bisogna effettuare una riparazione a pagamento, effettueremo un preventivo che verrà inoltrato al vostro rivenditore. La riparazione verrà effettuata dopo l'autorizzazione da parte del vostro rivenditore. La somma per la riparazione dovrà essere pagata al vostro rivenditore. Le riparazioni a pagamento avranno un costo minimo di 30 minuti di lavoro e in fattura includeranno le spese di restituzione. Qualsiasi riparazione non pagata e non richiesta entro 90 giorni verrà considerata abbandonata e verrà gestita di conseguenza.

ATTENZIONE : Le riparazioni a pagamento sono disponibili solo sull'elettronica e sui motori. Le riparazioni a livello meccanico, soprattutto per gli elicotteri e le vetture RC sono molto costose e devono essere effettuate autonomamente dall'acquirente.

10/2015

Informazioni per i contatti

Paese di acquisto	Horizon Hobby	Telefono / indirizzo e-mail	Indirizzo
Unione Europea	Horizon Technischer Service	service@horizonhobby.eu	Hanskampring 9 D 22885 Barsbüttel, Germany
	Sales: Horizon Hobby GmbH	+49 (0) 4121 2655 100	

Informazioni di conformità per l'Unione Europea

CAN ICES-3 (B)/NMB-3(B)

IC: 6157A-TIARLGTNG1

This device contains license-exempt transmitter(s)/receivers(s) that comply with Innovation, Science, and Economic Development Canada's license-exempt RSS(s). Operation is subject to the following 2 conditions:

1. This device may not cause interference.
2. This device must accept any interference, including interference that may cause undesired operation of the device.

Informazioni sulla conformità per l'Unione Europea



Dichiarazione di conformità UE:

EFL FW 190A 1.5m BNF Basic (EFL01350); Con la presente, Horizon Hobby, LLC dichiara che il dispositivo è conforme a quanto segue: Direttiva europea sulle apparecchiature radio (RED) 2014/53/UE, Direttiva RoHS 2 2011/65 / UE, Direttiva RoHS 3 - Modifica 2011/65 / UE allegato II 2015/863

EFL FW 190A 1.5m PNP (EFL01375); Con la presente, Horizon Hobby, LLC dichiara che il dispositivo è conforme a quanto segue: Direttiva europea sulla compatibilità elettromagnetica (EMC) 2014/30/UE, Direttiva RoHS 2 2011/65 / UE, Direttiva RoHS 3 - Modifica 2011/65 / UE allegato II 2015/863

Il testo completo della dichiarazione di conformità UE è disponibile al seguente indirizzo internet: <https://www.horizonhobby.com/content/support-render-compliance>.

Range di frequenze wireless e potenza di uscita wireless:

2402 – 2478 MHz
20dBm

AVVISO RAEE:



Questo dispositivo è marcato ai sensi della Direttiva europea 2012/19/UE riguardante i rifiuti di apparecchiature elettriche ed elettroniche (RAEE). Il simbolo indica che il prodotto non va smaltito insieme ai rifiuti domestici. Il prodotto deve essere consegnato agli appositi centri di raccolta per consentirne il recupero e il riciclaggio.

Fabbricante registrato UE:

Horizon Hobby, LLC
2904 Research Road
Champaign, IL 61822 USA

Importatore registrato UE:

Horizon Hobby, GmbH
Hanskampring 9
22885 Barsbüttel Germany

Australia/New Zealand:



E328



©2020 Horizon Hobby, LLC.

E-flite, Avian, Plug-N-Play, Bind-N-Fly, BNF, the BNF logo, DSM, DSM2, DSMX, Spektrum AirWare, IC3, IC5, AS3X, SAFE, the SAFE logo, the Smart Technology logo, ModelMatch, and the Horizon Hobby logo are trademarks or registered trademarks of Horizon Hobby, LLC.

The Spektrum trademark is used with permission of Bachmann Industries, Inc.

All other trademarks, service marks and logos are property of their respective owners. US 8,672,726. US 9,056,667. US 9,753,457. US 10,078,329. US 9,930,567. US 10,419,970 .

Other patents pending.

<http://www.horizonhobby.com/>