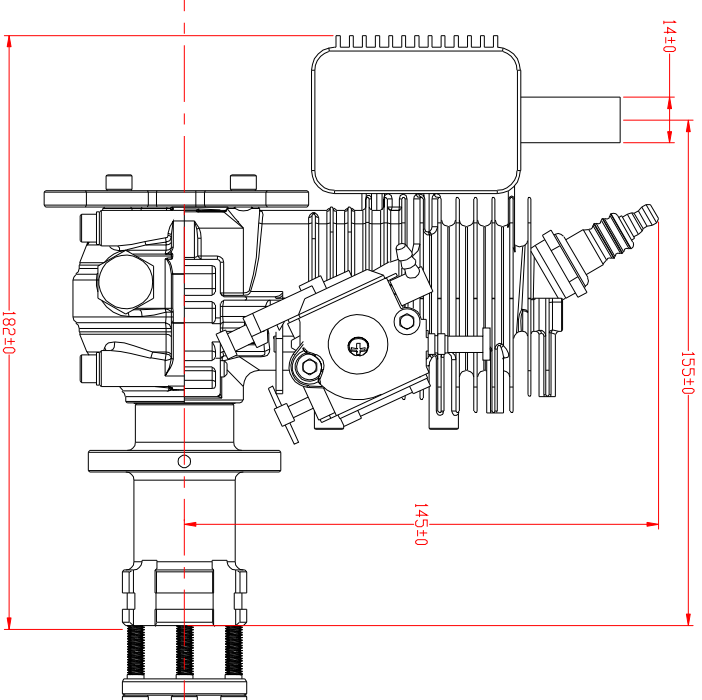
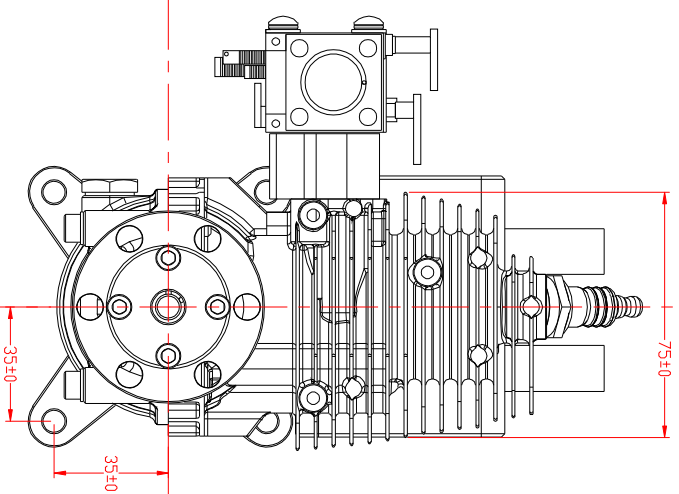
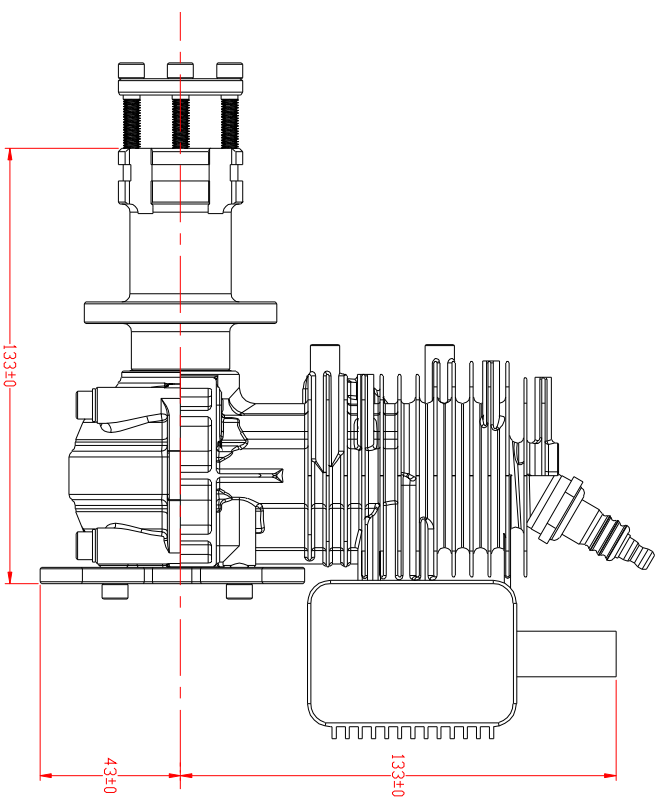
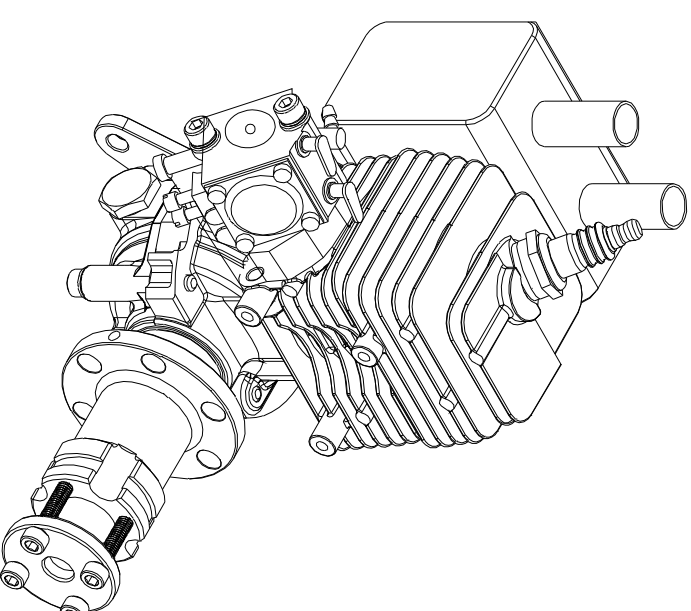
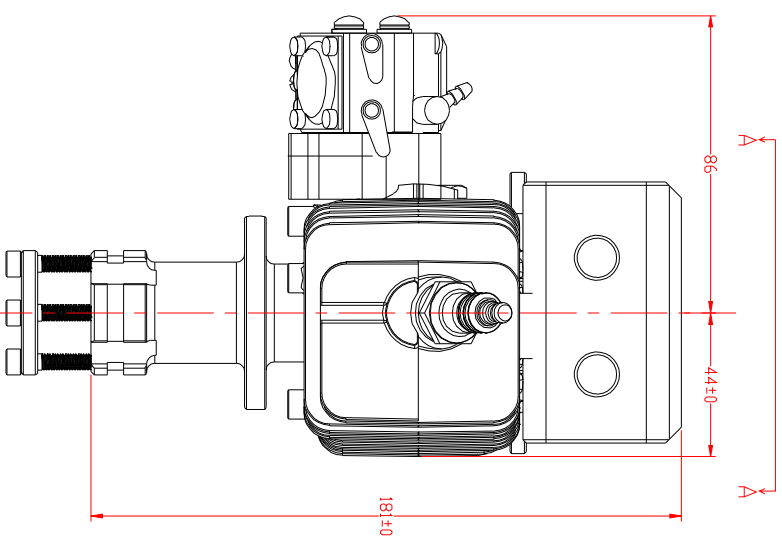


VIEW A-A
(BOLT PATTERNS)



CONFIDENTIAL NOTICE
 DO NOT DISCLOSE TO UNAUTHORIZED PERSONS.
 This drawing embodies a confidential, private design originated by Horizon Hobby and all design, manufacturing, production, use and sale rights regarding the same are expressly reserved. It is intended for use only for the specific project and shall not be used, copied, reproduced, or otherwise disclosed in any form, or to supply or fabricate any special features peculiar to this design. All patent rights hereto are expressly reserved by Horizon Hobby.
 © by Horizon Hobby, Illinois

Unless Otherwise Specified		DIM. UNIT SCALE		MATERIAL		DATE		HORIZON HOBBY	
INCH	Fractional 1/32"	IRON ALLOY	DATE	DESIGN BY	SCALE	DATE	CHAMPAGNE, IL		
XX ± .01	Angular ± 1/2°	⊕	DATE	DATE	DATE	DATE	G38 Engine		
XXX ± .005			DATE	DATE	DATE	DATE	Sheet	1	REV
Remove Burrs and Sharp Edges									