

TYPHOON

WARNING!



DO NOT FLY OVER CROWDS!



DO NOT FLY NEAR AIRPORTS!



DO NOT FLY IN WINDS THAT EXCEED 12 MPH (19 KPH)!



NEVER FLY WITH DAMAGED OR ALTERED PROPELLERS!



KEEP CLEAR OF THE SPINNING PROPELLERS!



ALWAYS REMOVE THE BATTERY AFTER FLIGHT!



SAFE FLIGHT REQUIRES A MINIMUM CLEARANCE OF 100' FROM SURROUNDING BUILDINGS BEFORE LIFT-OFF!



MAKE SURE THE CLOCKWISE AND COUNTERCLOCKWISE PROPELLERS ARE ON THEIR CORRESPONDING MOTORS!



ACTUATE THE RETRACTABLE LANDING GEAR BEFORE LANDING WHEN THE FLIGHT HEIGHT IS NO LESS THAN 3M!



SWITCH OFF THE OBSTACLE AVOID FUNCTION BEFORE LANDING!

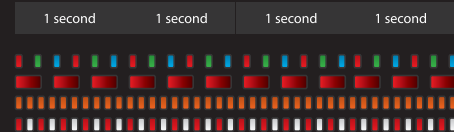
WWW.YUNEEC.COM

LED STATUS INDICATIONS DURING STARTUP

Main LED Status Indicator

- Initialization in Progress
 - Initialization failed
 - The Aircraft is in "Bind" Mode
 - The Aircraft is in a No-Fly Zone *
- * Please see the instruction manual for more information regarding no-fly zones

- Blinks red, green and blue (2 times per second)
- Pulses red (3 times per second)
- Blinks orange very rapidly (10 times per second)
- Blinks red and white rapidly (5 times per second)

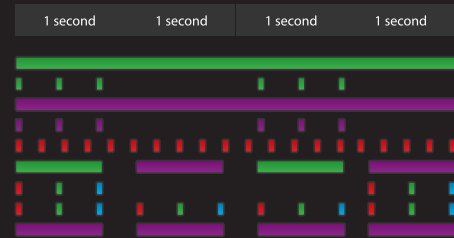


LED STATUS INDICATIONS BEFORE/DURING FLIGHT

Main LED Status Indicator

- The Aircraft is in Smart Mode with GPS lock
- The Aircraft is in Smart Mode without GPS lock
- The Aircraft is in Angle Mode with GPS lock
- The Aircraft is in Angle Mode without GPS lock
- The Aircraft is in Home Mode
- Enter Task function
- First Level low Voltage Battery Warning
- Second Level low Voltage Battery Warning
- GPS Disabled

- Glows solid green
- Blinks green (3 times per second) then off (for 1 second)
- Glows solid purple
- Blinks purple (3 times per second) then off (for 1 second)
- Blinks red rapidly (5 times per second)
- Blink green and purple slowly (1 time per second)
- Blinks red, green and blue every 3 seconds
- Blinks red, green and blue continuously
- Blinks purple (1 flash per second)



Below Motor Led Status Indicators

- Low voltage battery warning

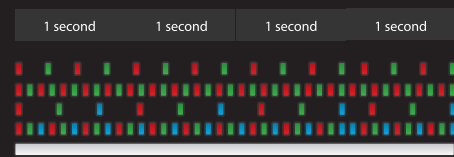
- Blinks rapidly (5 times per second)

LED STATUS INDICATIONS FOR CALIBRATION MODES

Main LED Status Indicator

- Compass Calibration Mode Entered
- Compass Calibration Started
- Accelerometer Calibration Mode Entered
- Accelerometer Calibration started
- Calibration failed

- Blinks red and green slowly (2 times per second)
- Blinks red and green rapidly (5 times per second)
- Blinks red, green and blue slowly (1 time per second)
- Blinks red, green and blue rapidly (3 times per second)
- Glows solid white



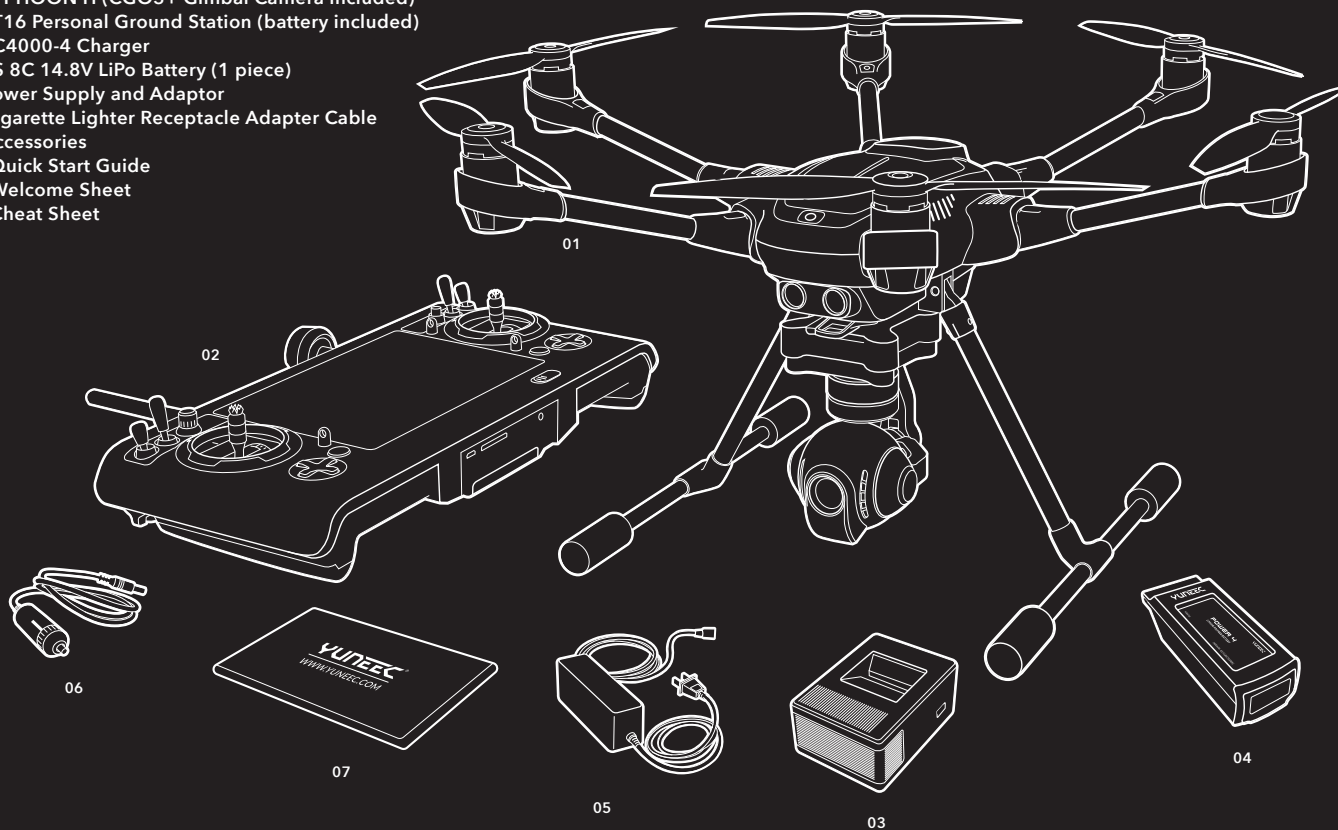
CGO3+ CAMERA LED STATUS INDICATIONS

- Without T-card or T-card Memory Full
- WiFi Error
- WiFi Initialized
- WiFi Connected
- Recording Video or Taking Still Photos

- Blinks yellow
- Blinks red
- Blinks green
- Glows solid green
- Blinks green, blue slowly



- 01 TYPHOON H (CGO3+ Gimbal Camera included)
- 02 ST16 Personal Ground Station (battery included)
- 03 SC4000-4 Charger
- 04 4S 8C 14.8V LiPo Battery (1 piece)
- 05 Power Supply and Adaptor
- 06 Cigarette Lighter Receptacle Adapter Cable
- 07 Accessories
 - Quick Start Guide
 - Welcome Sheet
 - Cheat Sheet



Yuneeec is committed to provide you with superior customer experience. Should you have any question about your TYPHOON, please visit yuneeec.com/support or contact us before you fly!

We would love to see what you are doing with your TYPHOON!

IMPORTANT ADDITIONAL INFORMATION

- Your Micro SD card contains a user manual, tutorial videos on how to operate your aircraft safely, as well as product videos that illustrate the superior quality of the CGO3+ camera.
- [Yuneeec.com/support](https://yuneeec.com/support) provides an extensive FAQ section on the TYPHOON H Aircraft and the ST16 Personal Ground Station as a supplement to the user manual.

YUNEEC USA

5555 Ontario Mills Parkway,
Ontario, CA 91764, USA
+1 855 284 8888
uscs@yuneeec.com

YUNEEC HK

2/F, Man Shung Industrial Building,
7 Lai Yip Street, Kwun Tong,
Kowloon, Hong Kong
+852 3616 6071-hkcs@yuneeec.com

YUNEEC EU

Nikolaus-Otto-Strasse 4,
24568 Kaltenkirchen, Germany
+49 4191 932620
eucs@yuneeec.com

YUNEEC UK

181 Victoria Road, Barnet,
Hertfordshire EN4 9PA, UK
+44(0) 208 449 4321
info@yuneeec.uk

We welcome you to follow us on Twitter, Facebook, Youtube and Instagram.



<https://twitter.com/yuneeecaviation>



<https://www.facebook.com/YuneeecAPV>



<https://www.youtube.com/user/YuneeecAPV>



https://instagram.com/yuneeec_electric_aviation