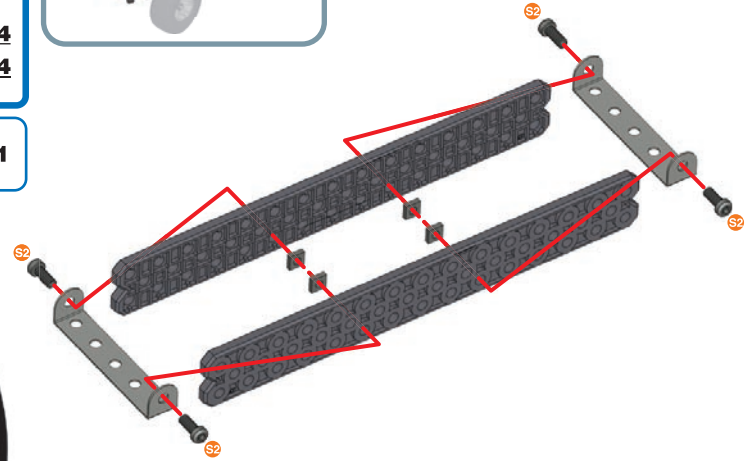
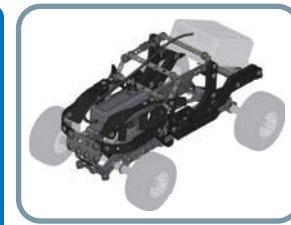




1

- x2
- x2
- x4
- x4

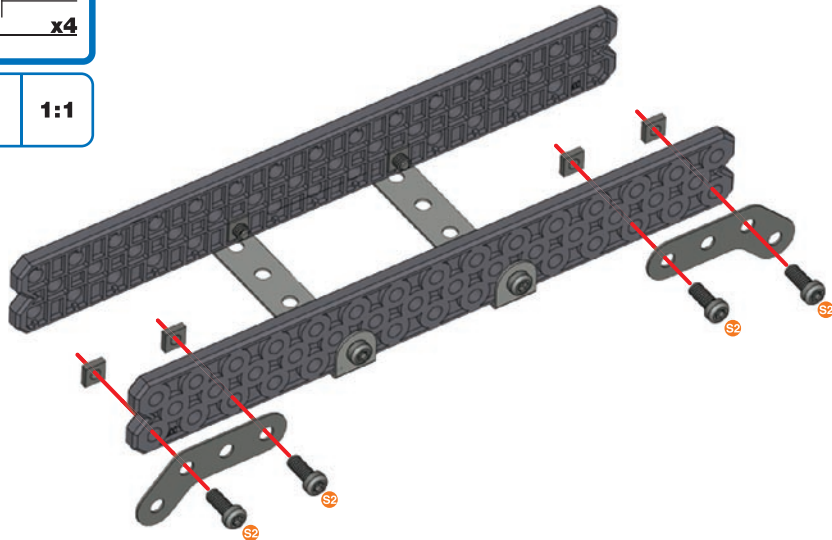
- S2 1:1



2

- x2
- x4
- x4

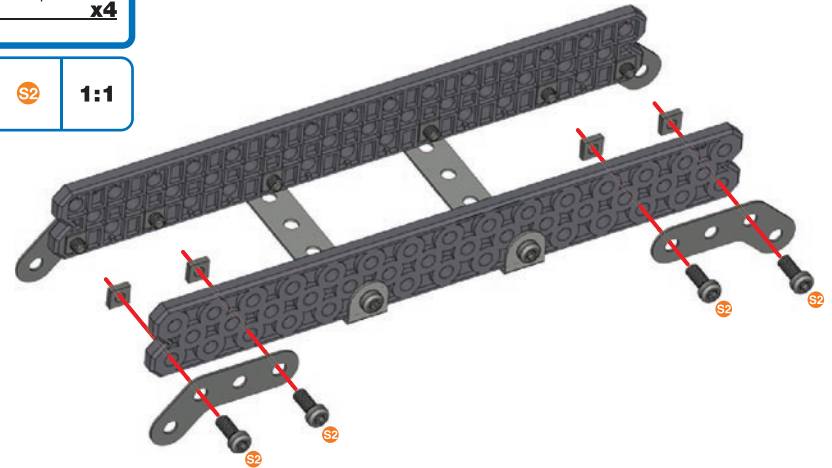
- S2 1:1






3

- x2
- x4
- x4

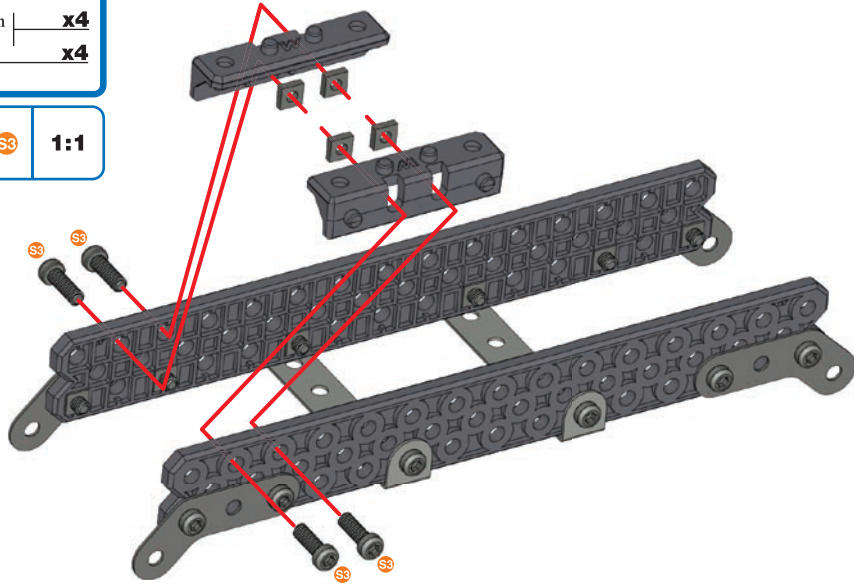
- S2 1:1








4

-  **x2**
-  **x4**
-  **x4**

-  **1:1**





5

-  **x1**
-  **x1**
-  **x1**
-  **x2**
-  **x2**

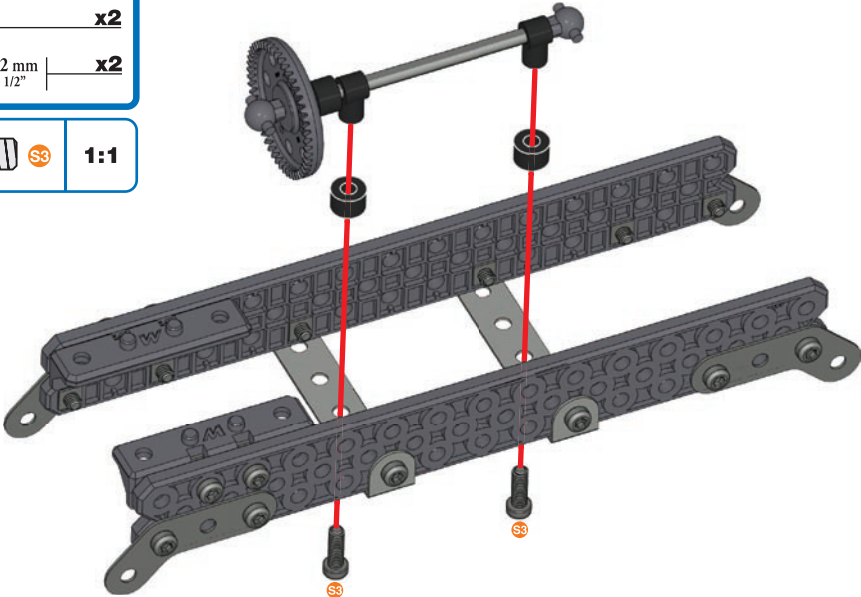


-  **1:1**




6

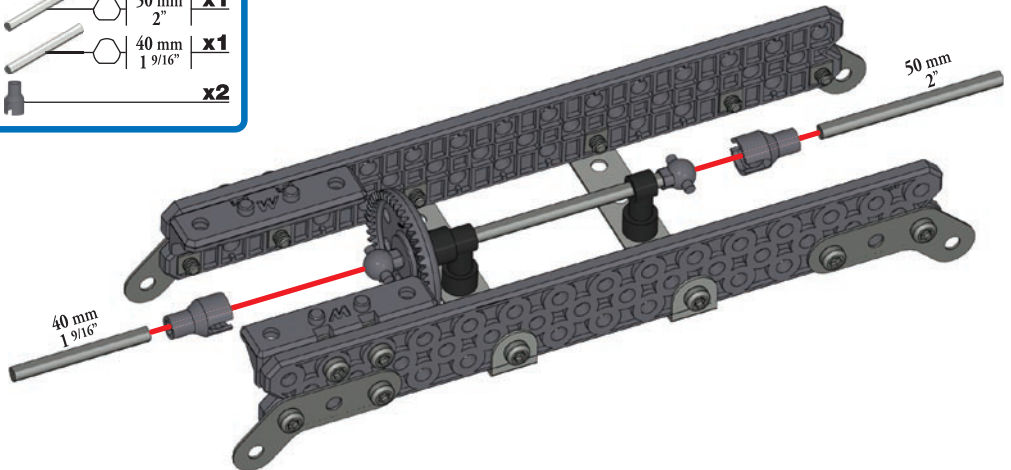
-  **x2**
-  **x2**


-  **1:1**







7


-  **x1**
-  **x1**
-  **x2**

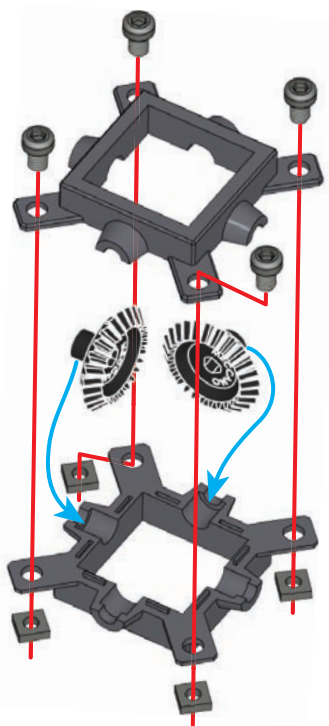


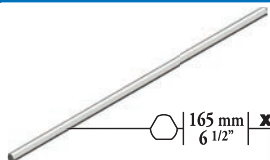


-  **1:1**

- 8**
-  **x4**
 -  **x4**
 -  5,8 mm | 15/64" **x8**
 -  **x8**

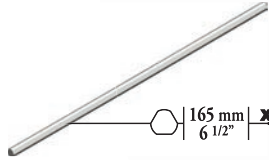


-  **S1** **1:1**

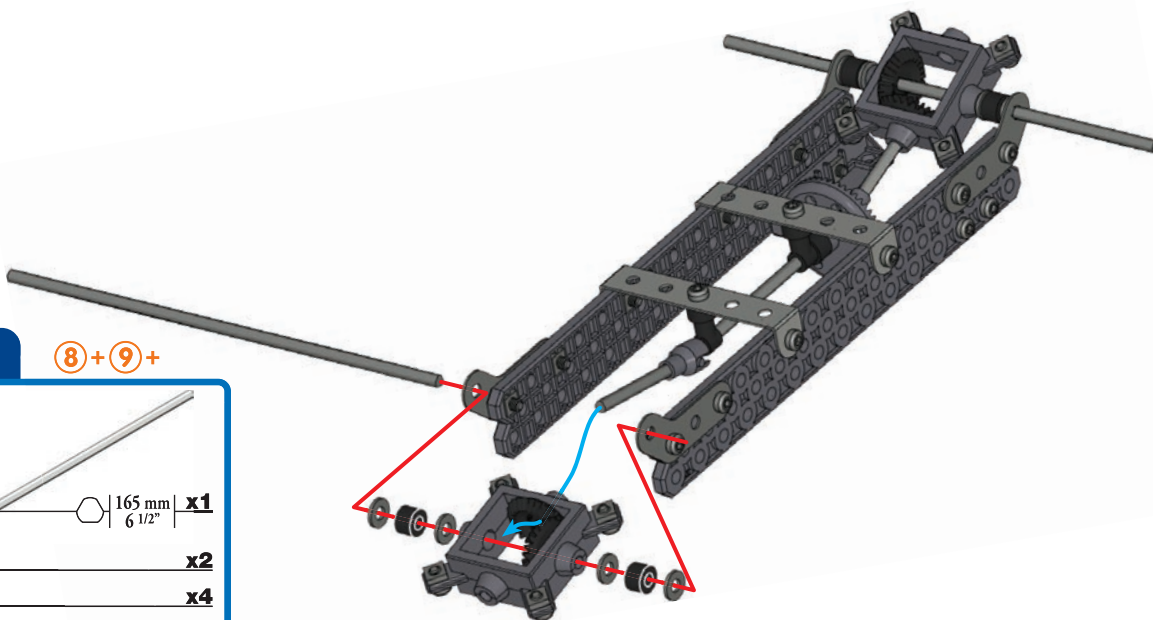
- x2**
- 

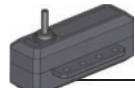




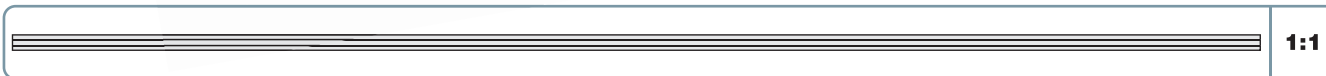
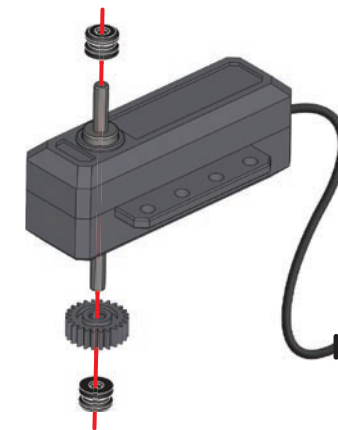
- 9** **7+8+**
-  165 mm | 6 1/2" **x1**
 -  **x2**
 -  **x4**



- 10** **8+9+**
-  165 mm | 6 1/2" **x1**
 -  **x2**
 -  **x4**



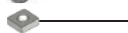
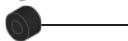


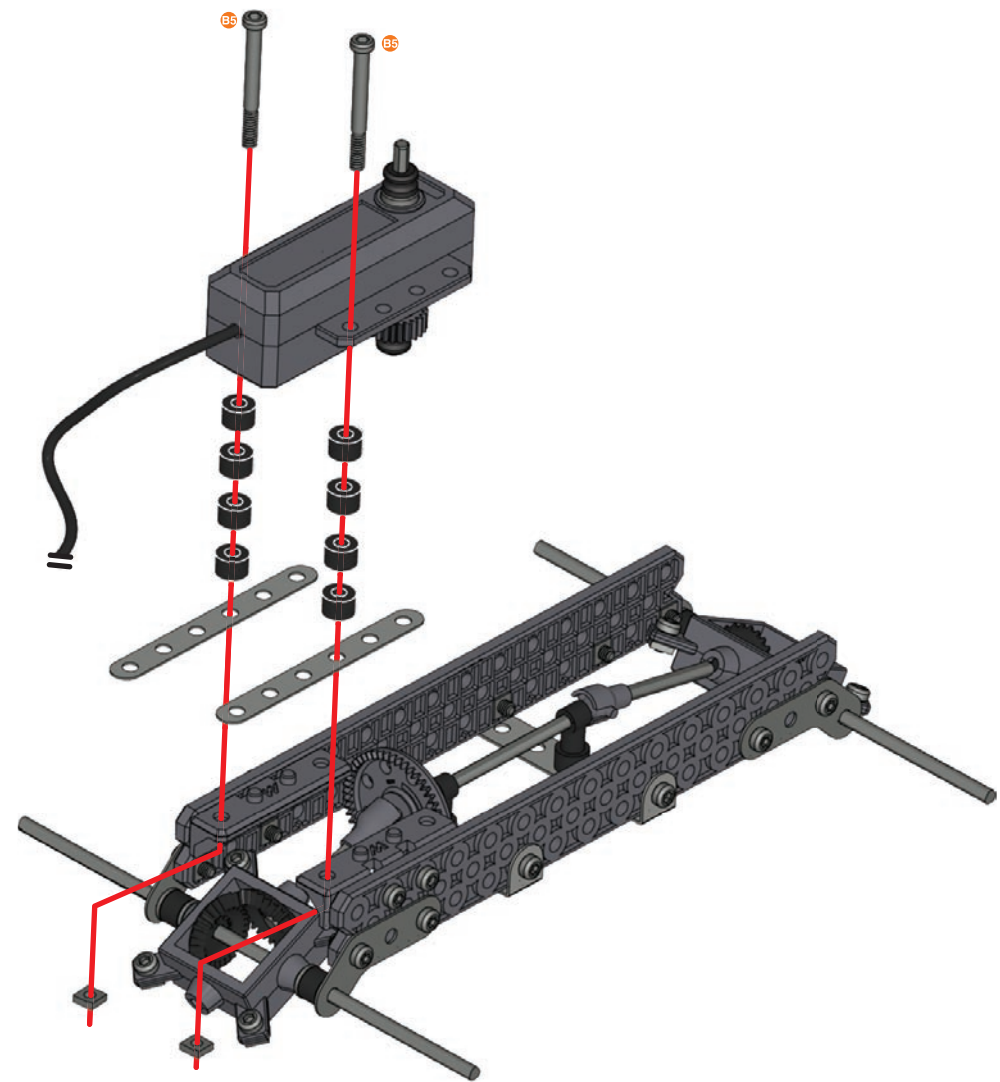
- 11**
-  **x1**
 -  **x1**
 -  **x2**







12

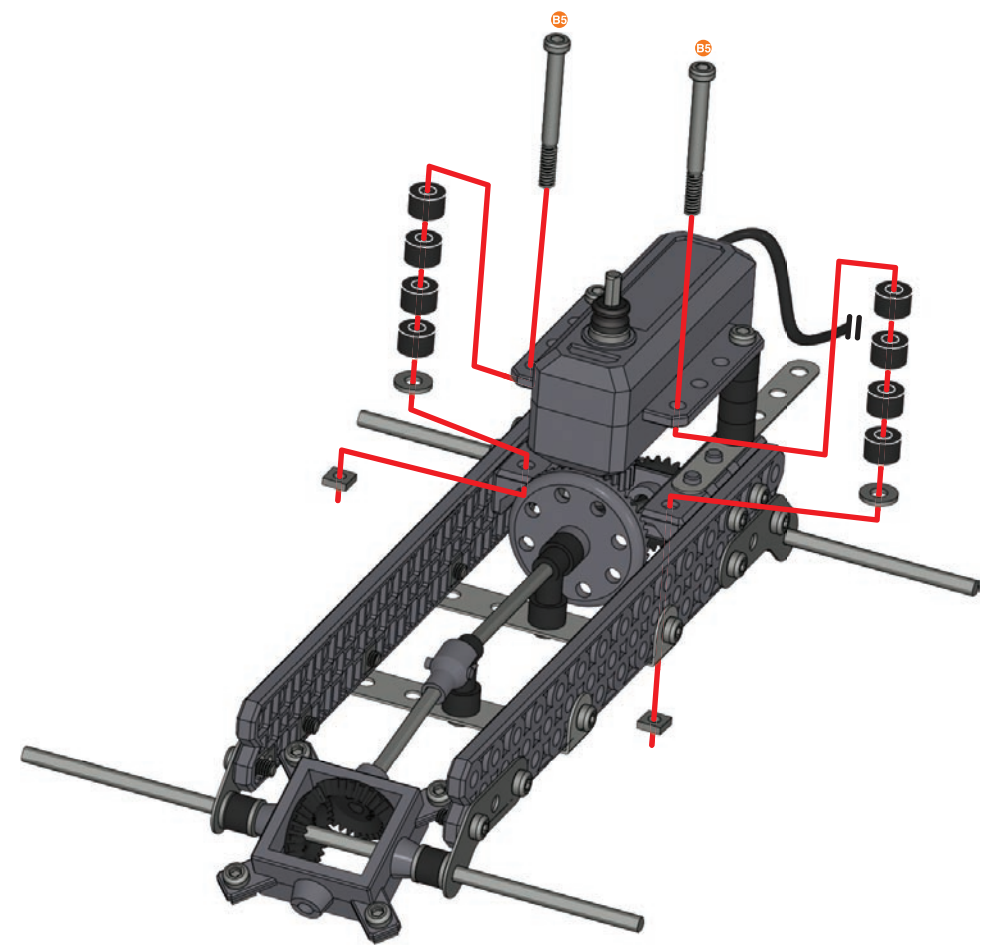
10 + 11 +

-  **x2**
-  **x2**
-  **x2**
-  **x8**







13

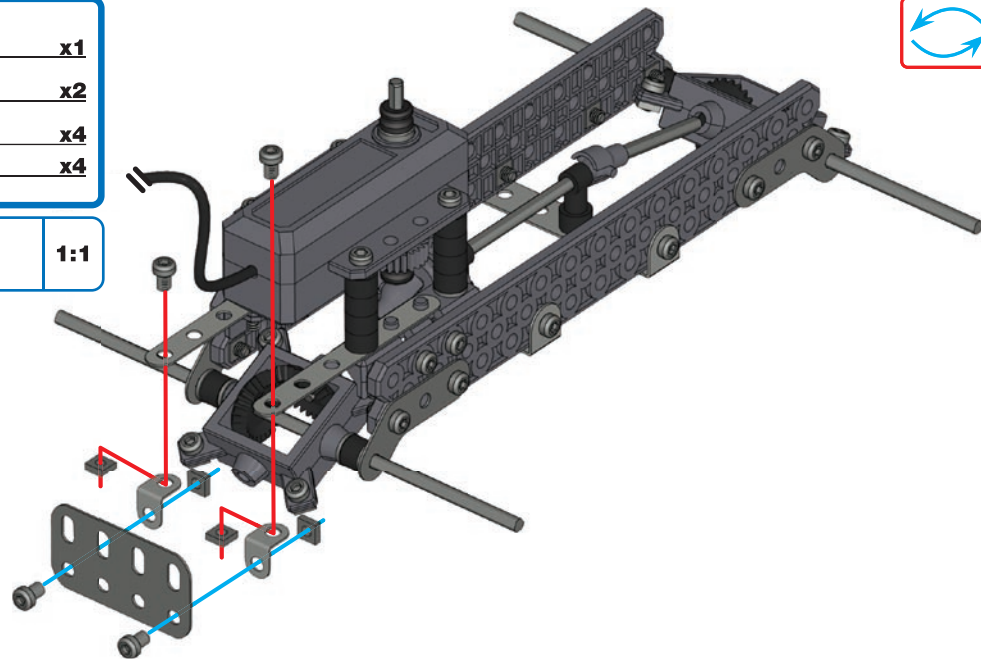
-  **x8**
-  **x2**
-  **x2**
-  **x2**







14

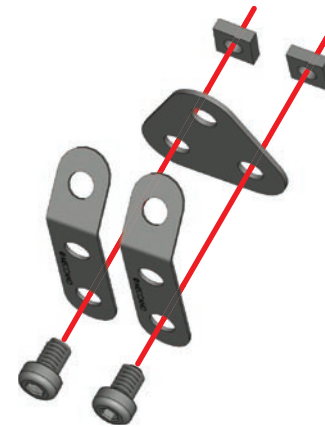
-  **x1**
-  **x2**
-  **x4**
-  **x4**



-  **S1** **1:1**

**15**

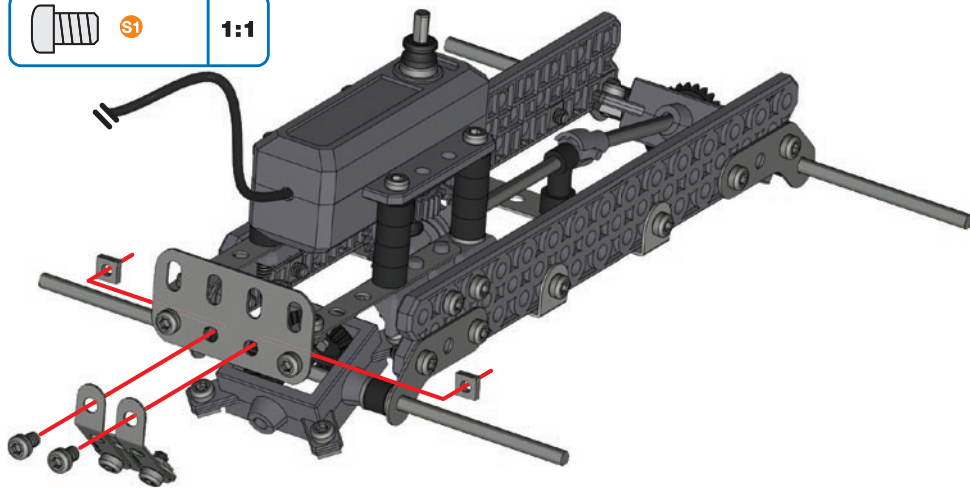
-  **x2**
-  **x1**
-  **x2**
-  **x2**







-  **S1** **1:1**

**16****14 + 15 +**

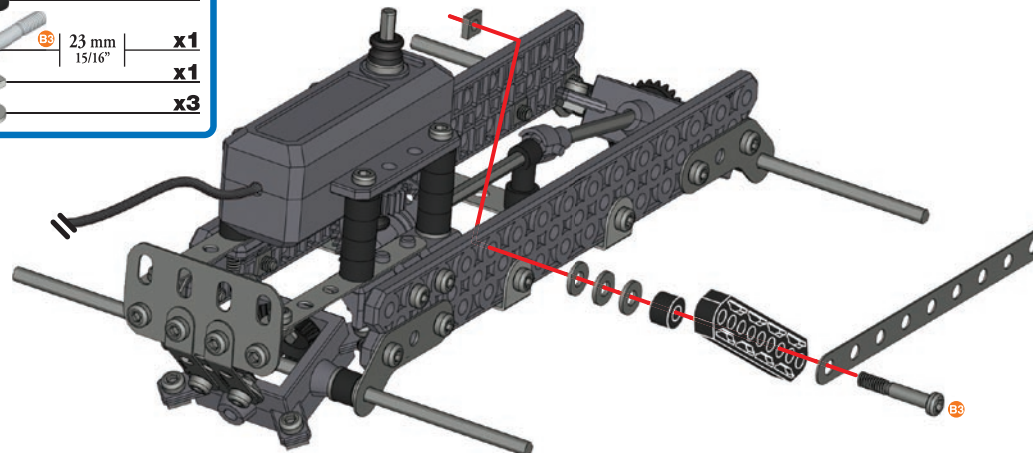
-  **x2**
-  **x2**

-  **S1** **1:1**






**17**

-  **x1**
-  **x1**
-  **x1**
-  **x1**
-  **x1**
-  **x3**

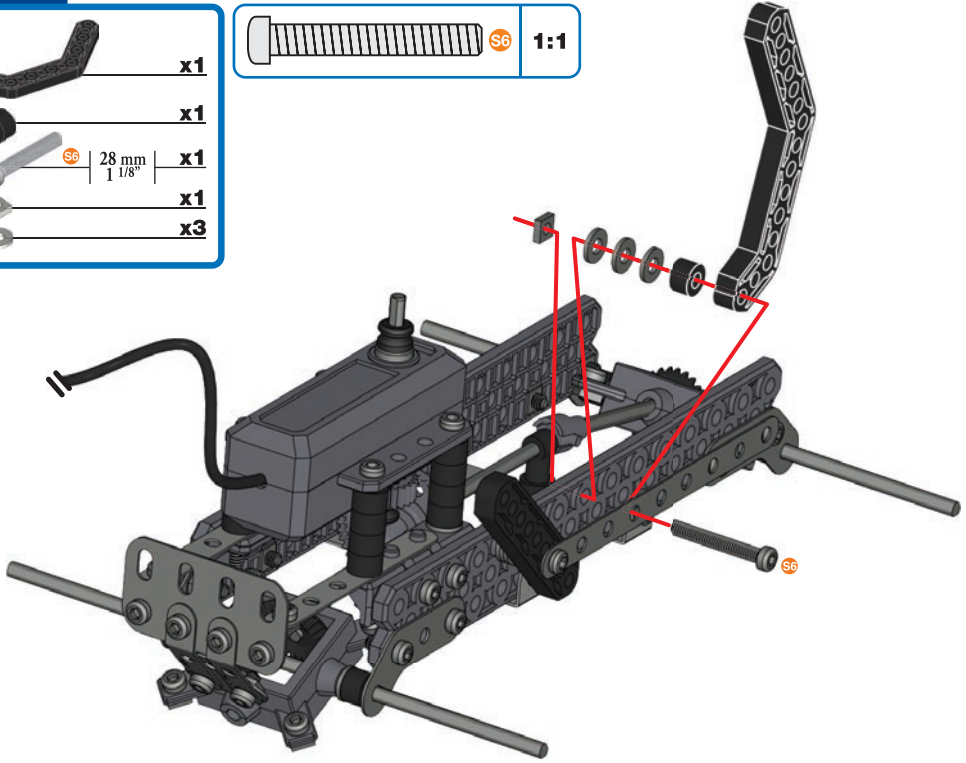
-  **B3** **1:1**







18

-  x1
-  x1
-  S6 | 28 mm | 1 1/8" | x1
-  x1
-  x3

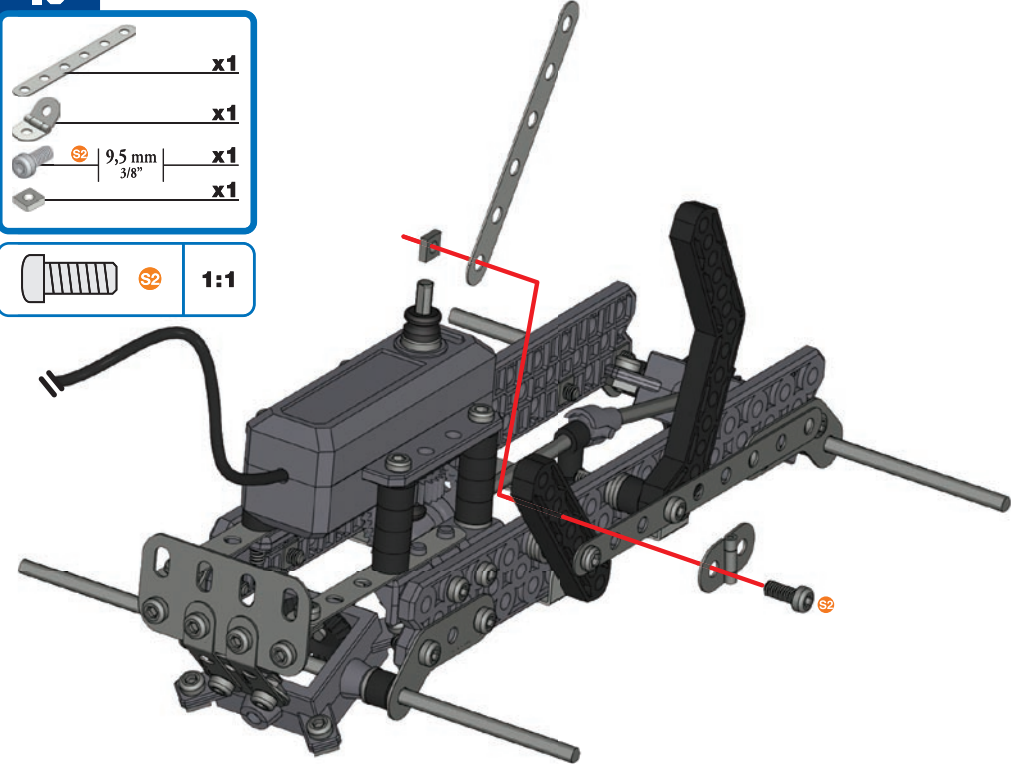
-  S6 | 1:1











19



-  x1
-  x1
-  S2 | 9,5 mm | 3/8" | x1
-  x1

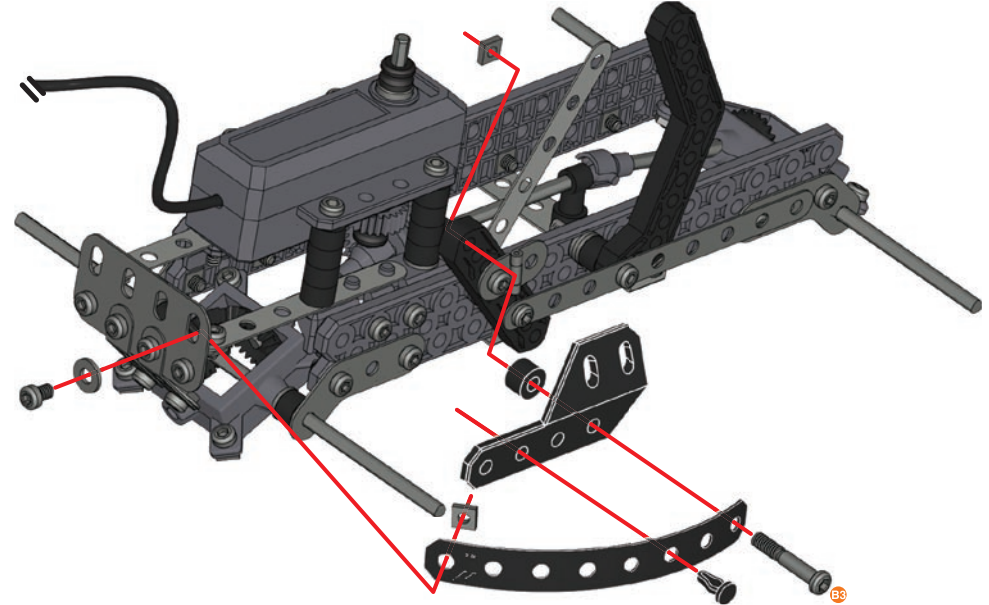
-  S2 | 1:1











20



-  x1
-  x1
-  x1
-  S3 | 23 mm | 15/16" | x1
-  D1 | 11,25 mm | 6/16" | x1
-  S1 | 5,8 mm | 15/64" | x1
-  x2
-  x1

-  S3 | 1:1
-  D1







21

-  x1
-  x1
-  x1
-  x2
-  28 mm | 1 1/8" x1
-  23 mm | 15/16" x1
-  x2
-  x6

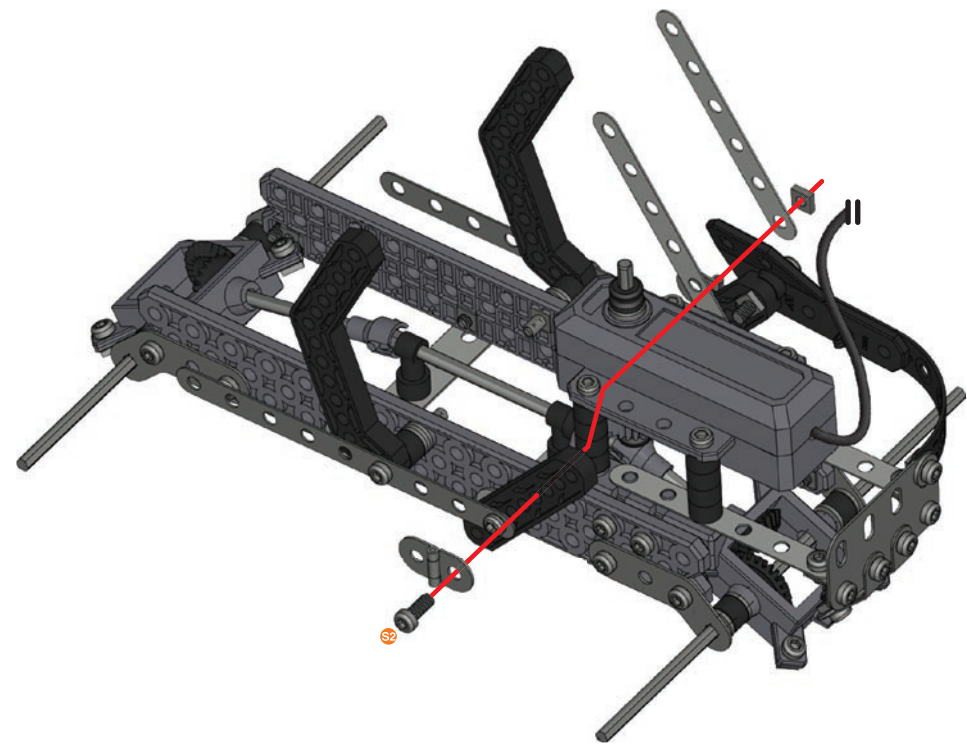
-  S6
 -  B3
- 1:1









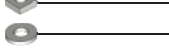

22

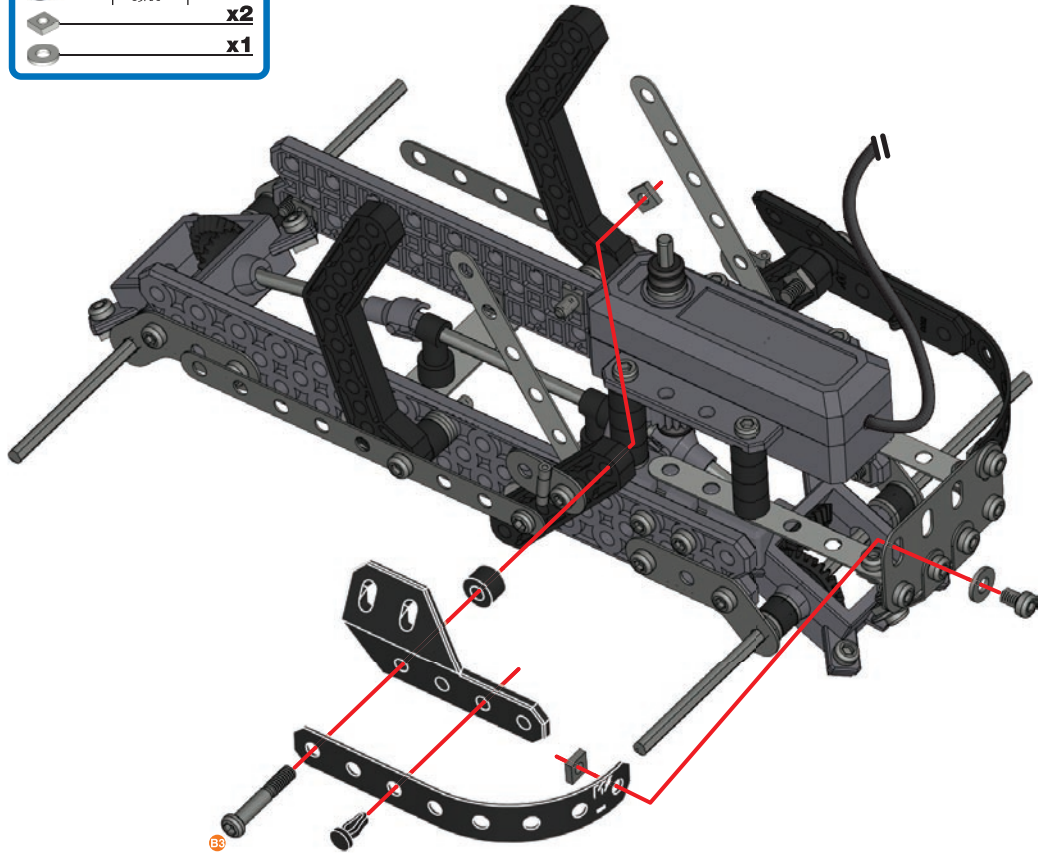
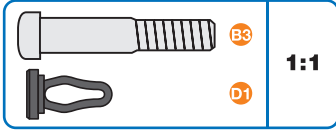
-  x1
-  x1
-  9,5 mm | 3/8" x1
-  x1

-  S2
- 1:1





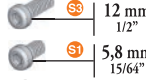
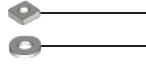
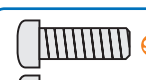




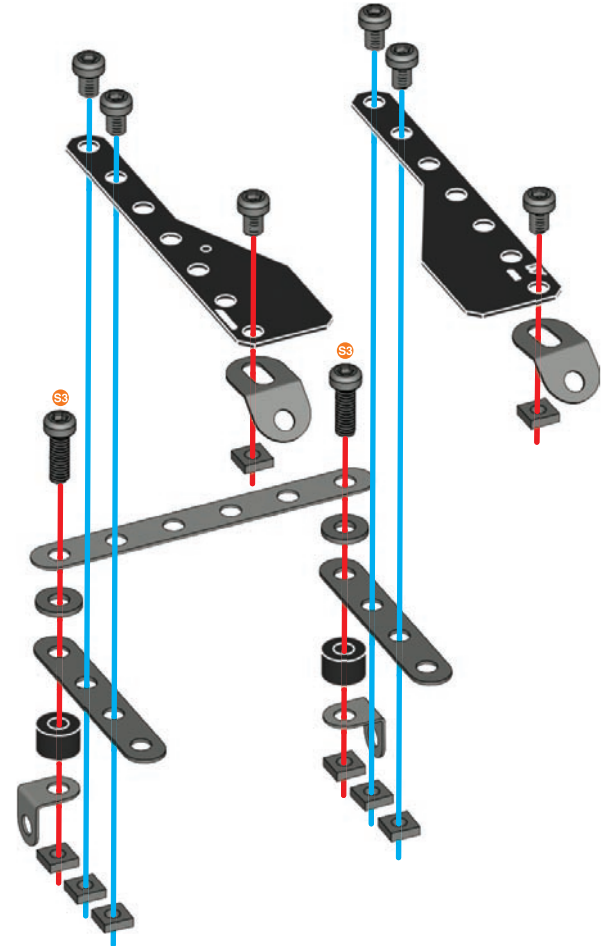
23

-  **x1**
-  **x1**
-  **x1**
-  23 mm **x1**
15/16"
-  11,25 mm **x1**
6/16"
-  5,8 mm **x1**
15/64"
-  **x2**
-  **x1**





24

-  **x2**
-  **x1**
-  **x2**
-  **x2**
-  **x2**
-  12 mm **x2**
1/2"
-  5,8 mm **x6**
15/64"
-  **x8**
-  **x2**

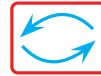


25



23 + 24 +

	5,8 mm 15/64"	x2
		x2

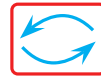
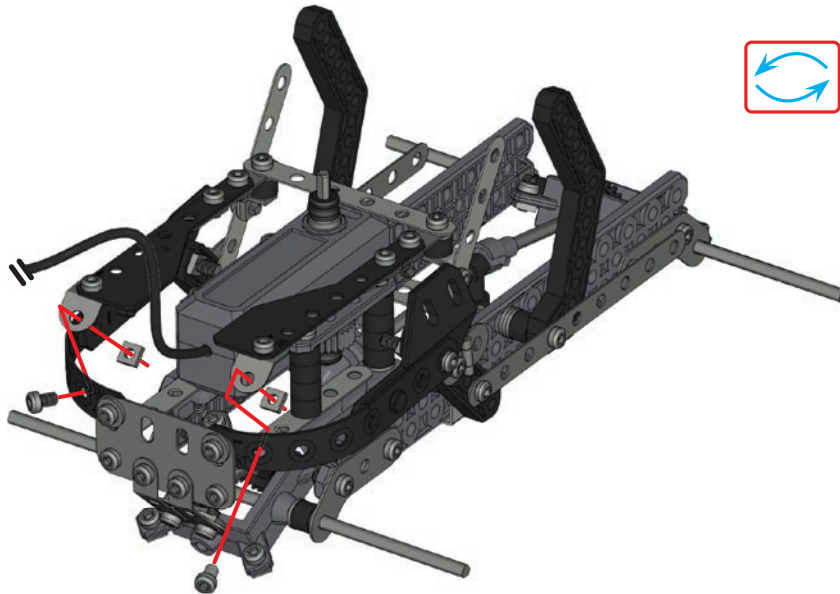
	S1	1:1
--	----	-----



26



	5,8 mm 15/64"	x2
		x2

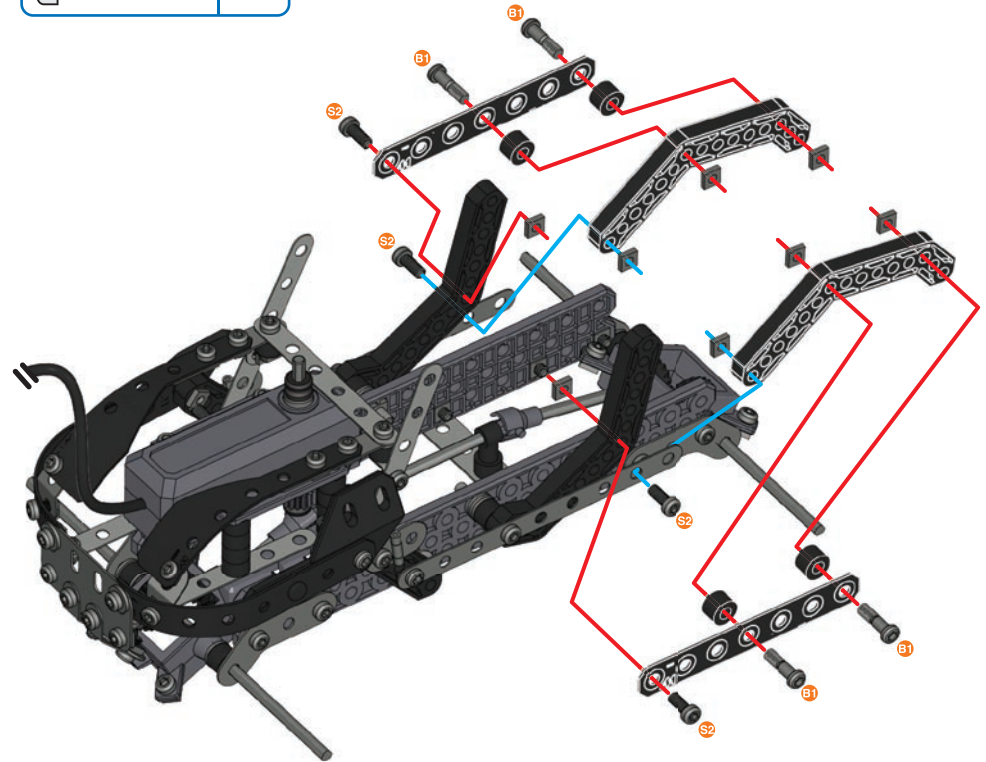
	S1	1:1
--	----	-----



27

		x2
		x2
		x4
	14,7 mm 37/64"	x4
	9,5 mm 3/8"	x4
		x8

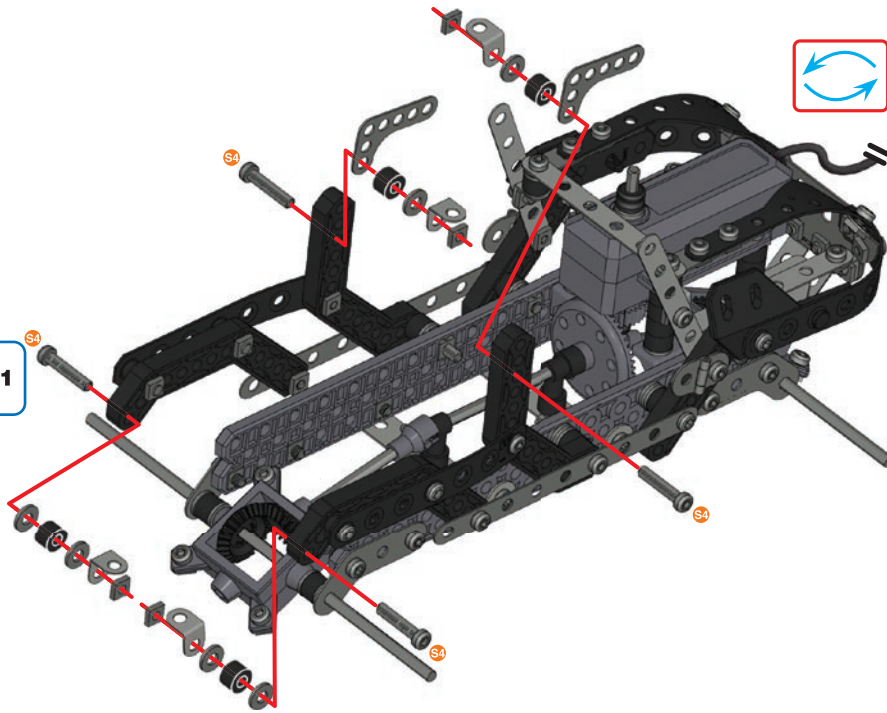
	B1	1:1
	S2	



28

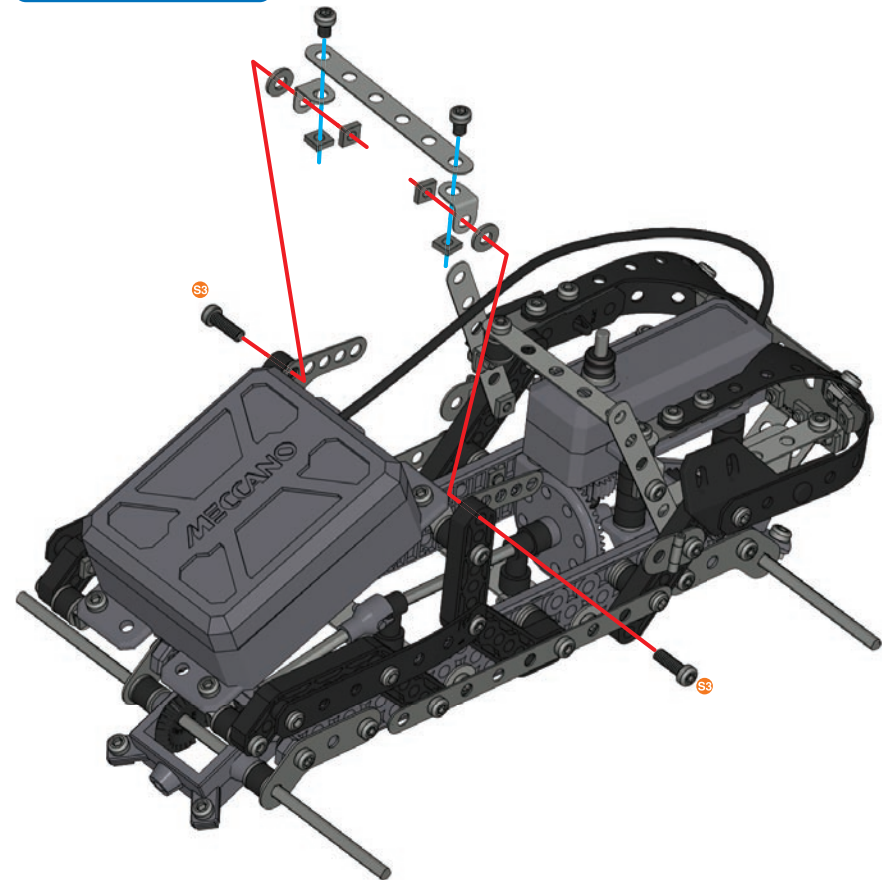
	x2
	x4
	x4
19 mm 3/4"	x4
	x4
	x6

	1:1
--	------------

**30**

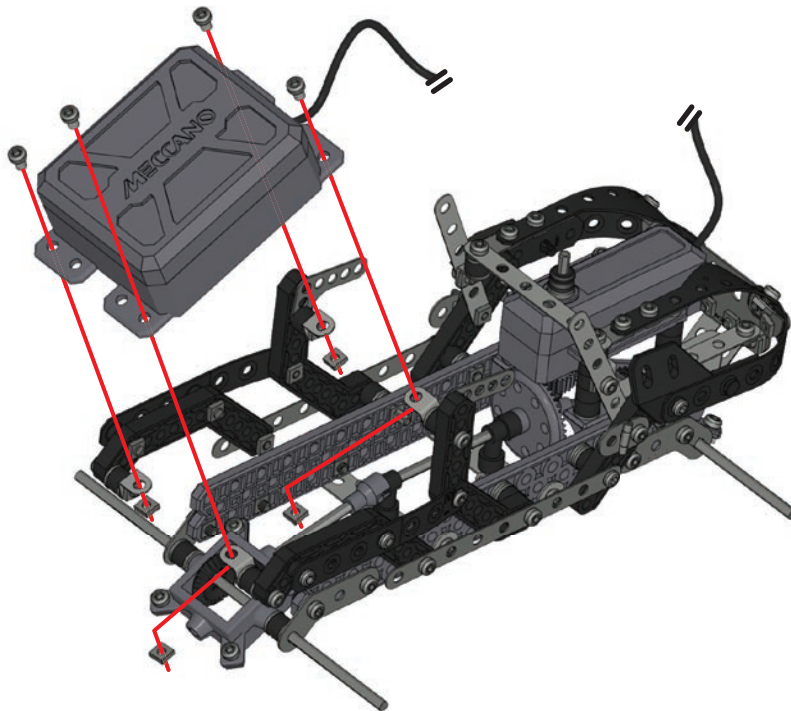
	x1
	x2
12 mm 1/2"	x2
5,8 mm 15/64"	x2
	x4
	x2

	1:1
	1:1

**29**

5,8 mm 15/64"	x4
	x4

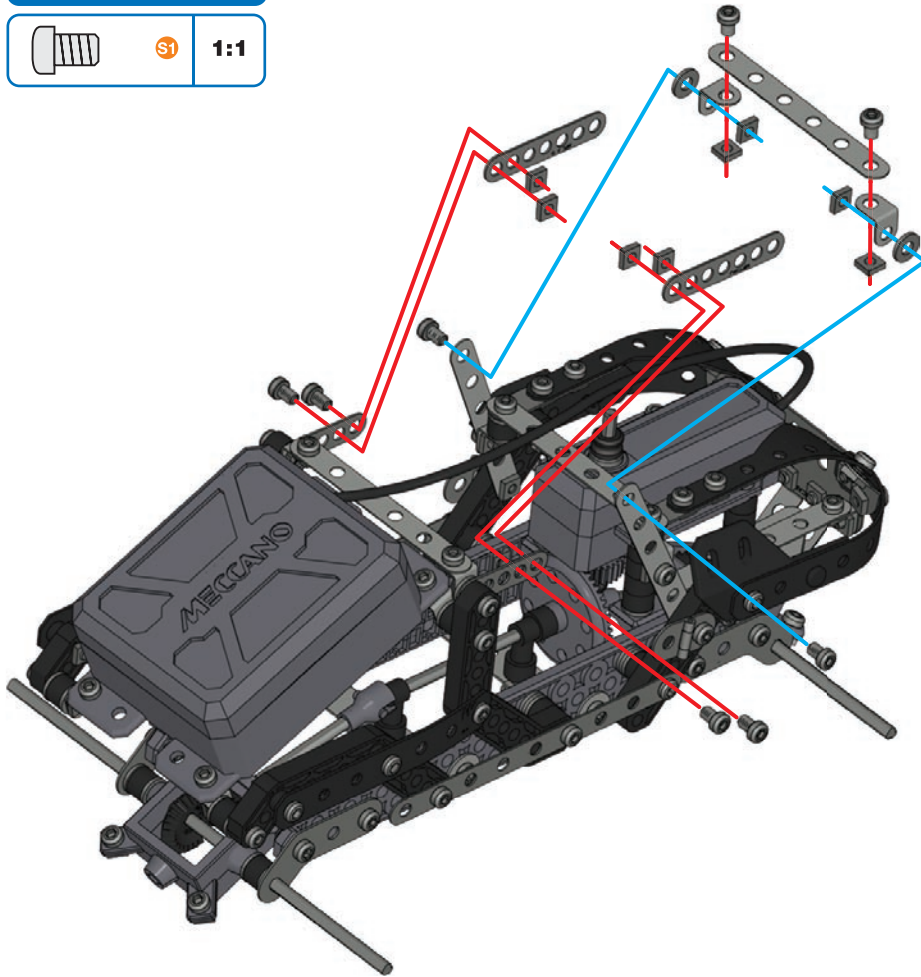
	1:1
--	------------



31

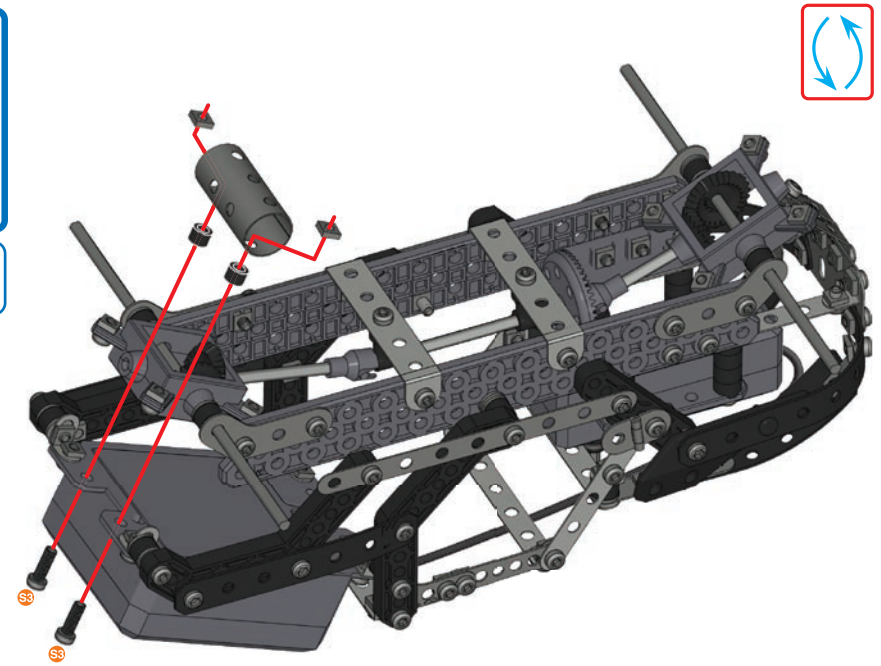
	x1
	x2
	x2
	x8
	x8
	x2

	S1	1:1
--	-----------	------------

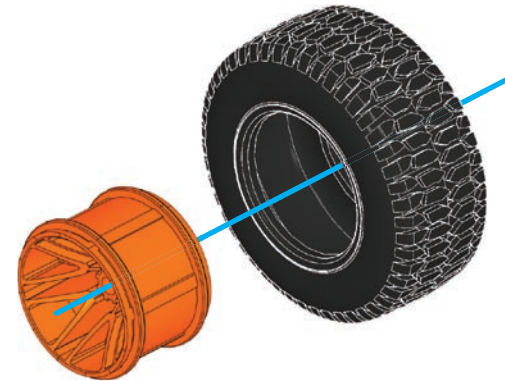
**32**

	x1
	x2
	x2
	x2

	S8	1:1
--	-----------	------------

**33**

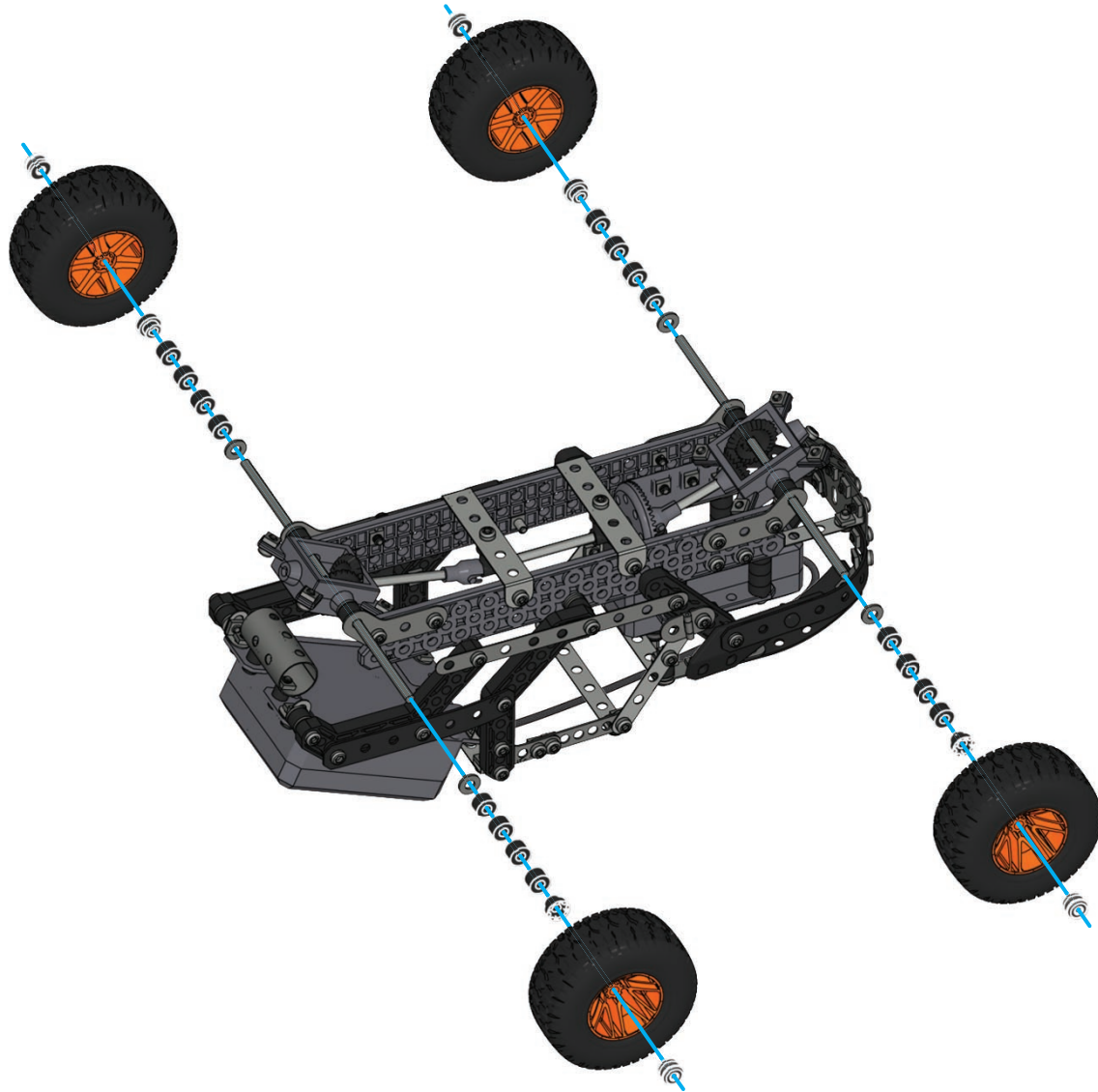
	x4
	x4

**x4**

34

32 + 33 +

	x4
	x4
	x16
	x4

**35**

	x2	
	x2	
	x2	
	12 mm	x2
	9,5 mm	x2
	3/8"	x4

	1:1

