


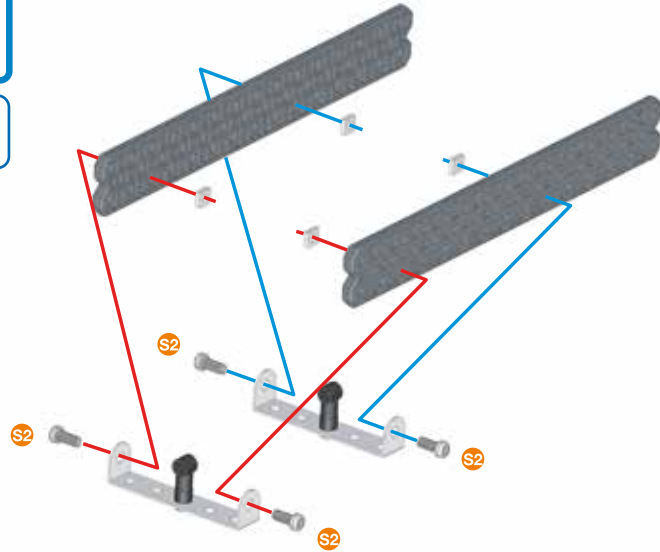








2

-  **x2**
-  9,5 mm | 3/8" **x4**
-  **x4**

-  **S2** **1:1**



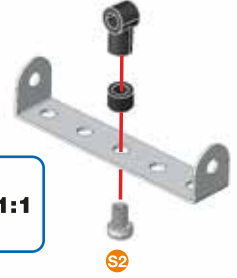
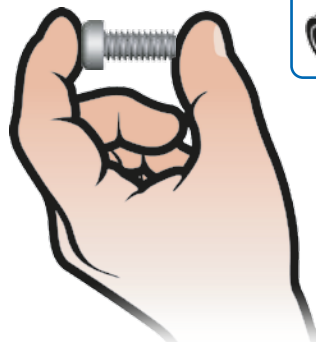
1

-  **x2**
-  **x2**
-  **x2**
-  9,5 mm | 3/8" **x2**



-  **S2** **1:1**

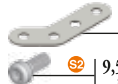


-  **A338** **1:1**



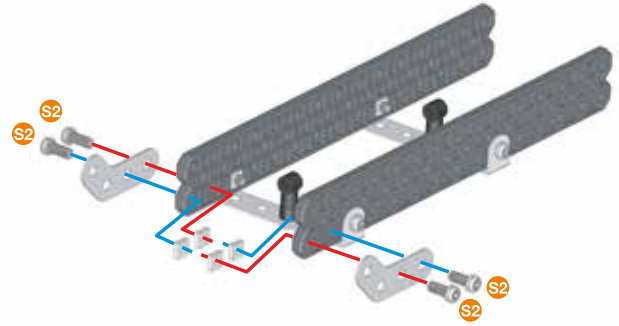
x2



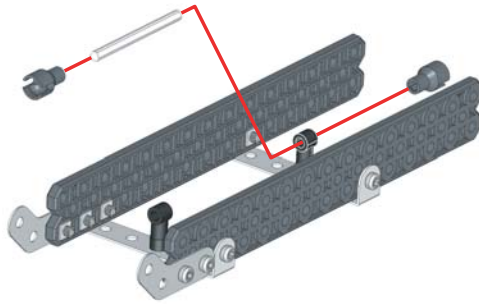
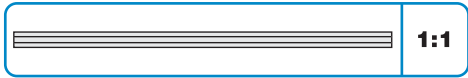
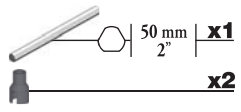
3

-  **x2**
-  9,5 mm | 3/8" **x4**
-  **x4**

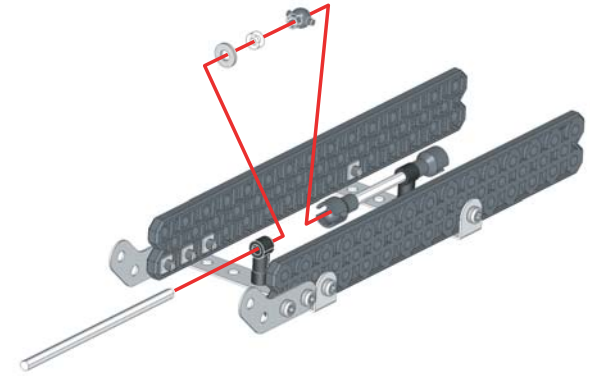
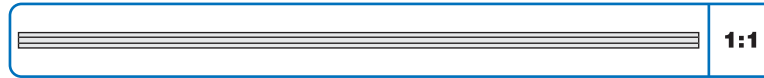
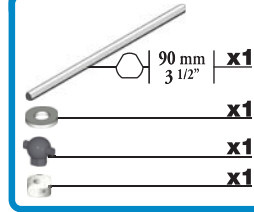
-  **S2** **1:1**



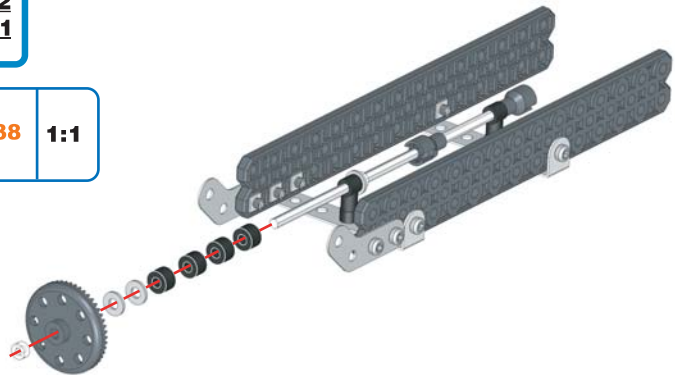
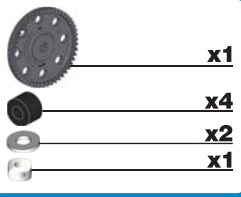
4



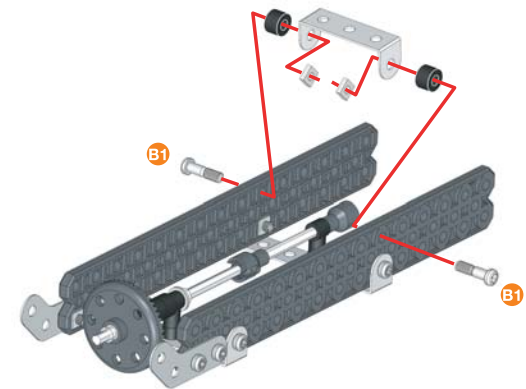
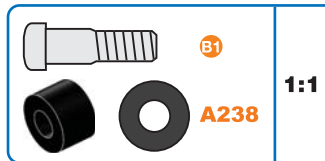
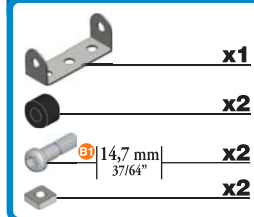
5



6

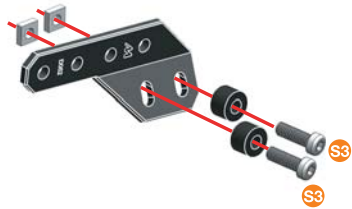


7



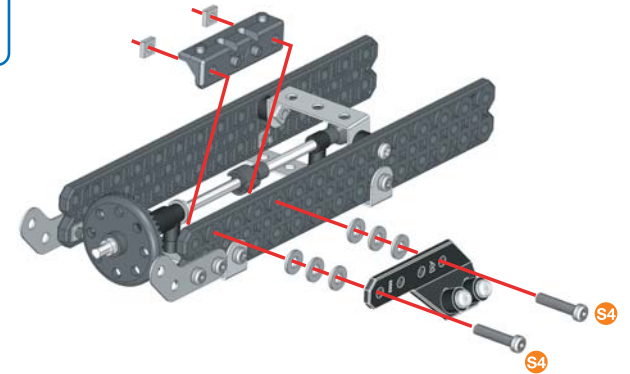
- 8**
- x1** [L-shaped Technic Beam]
 - x2** [Black Technic Pin]
 - x2** [S3 12 mm / 1/2" Technic Pin]
 - x2** [Grey Technic Pin]

- 1:1** [S3 Screw]
- A238** [Black Technic Wheel and Axle]



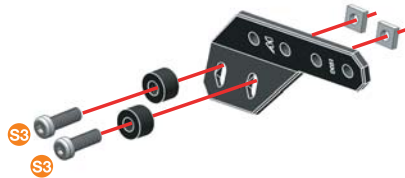
- 9** **(7) + (8) +**
- x1** [L-shaped Technic Beam]
 - x2** [S4 19 mm / 3/4" Technic Pin]
 - x2** [Grey Technic Pin]
 - x6** [Grey Technic Pin]

- 1:1** [S4 Screw]

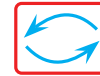


- 10**
- x1** [L-shaped Technic Beam]
 - x2** [Black Technic Pin]
 - x2** [S3 12 mm / 1/2" Technic Pin]
 - x2** [Grey Technic Pin]

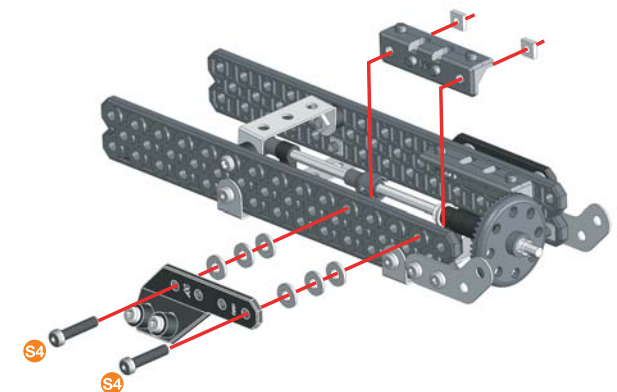
- 1:1** [S3 Screw]
- A238** [Black Technic Wheel and Axle]



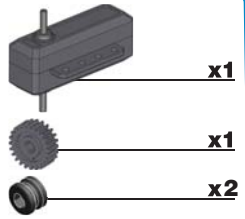
- 11** **(9) + (10) +**
- x1** [L-shaped Technic Beam]
 - x2** [S4 19 mm / 3/4" Technic Pin]
 - x2** [Grey Technic Pin]
 - x6** [Grey Technic Pin]



- 1:1** [S4 Screw]

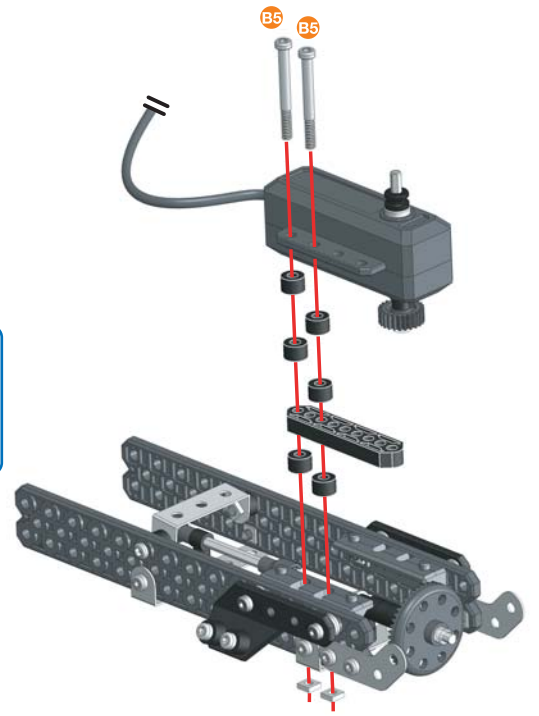
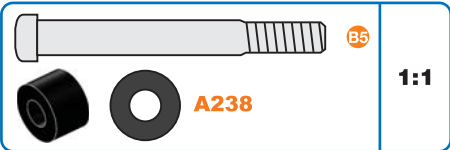
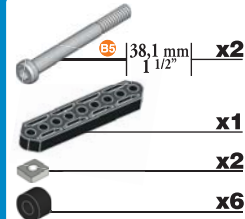


12

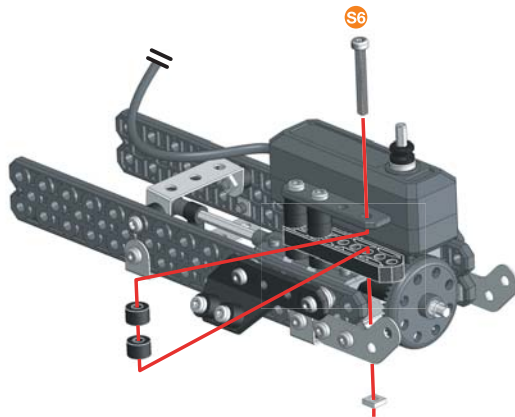
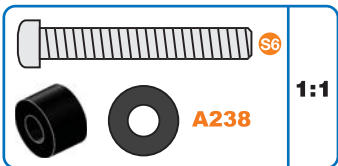
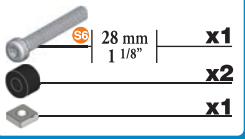


13

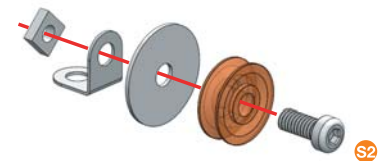
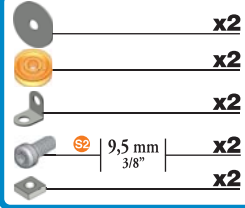
(11) + (12) +





14



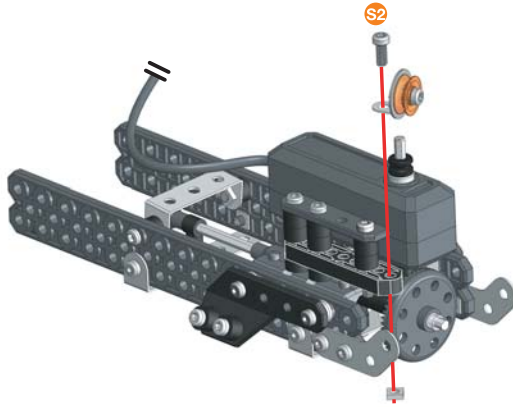
15







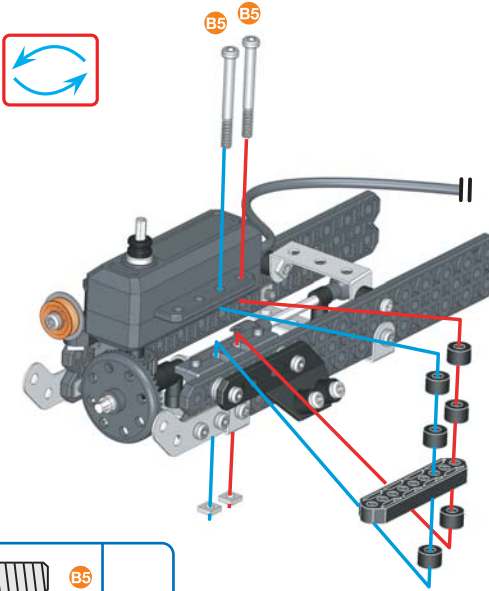
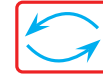
16**14 + 15 +**

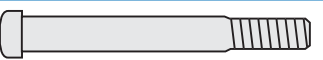

	9,5 mm 3/8"	x1
		x1

	S2	1:1
--	-----------	------------




**17**



	38,1 mm 1 1/2"	x2
		x1
		x2
		x6

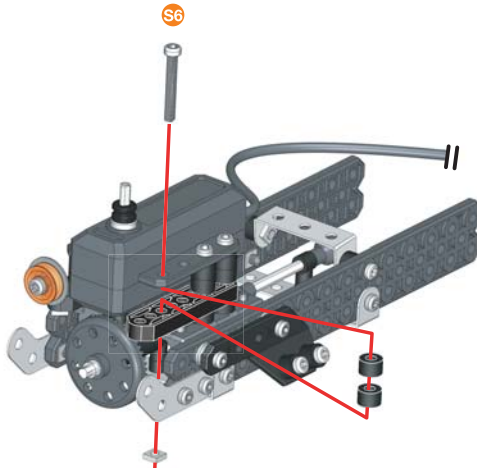




	B5	1:1
	A238	

18

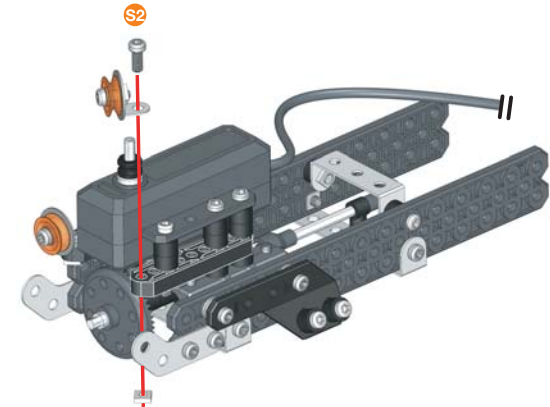
	28 mm 1 1/8"	x1
		x2
		x1

	S6	1:1
	A338	




**19****15 + 18 +**

	9,5 mm 3/8"	x1
		x1

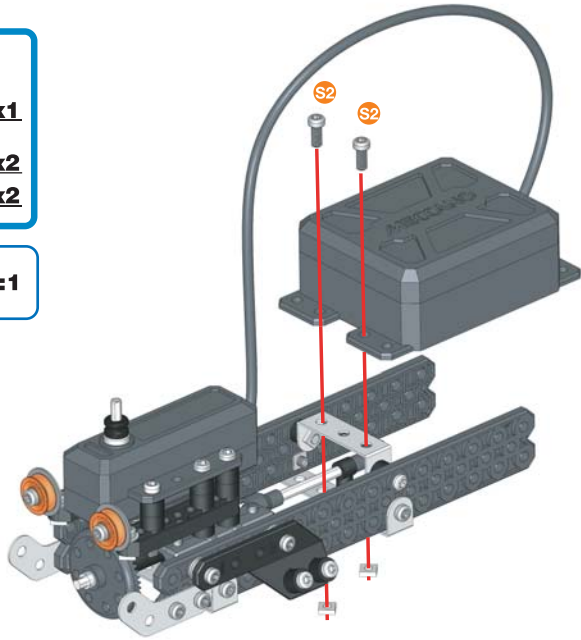
	S2	1:1
---	-----------	------------







20

-  **x1**
-  | 9,5 mm | **x2**
3/8"
-  **x2**

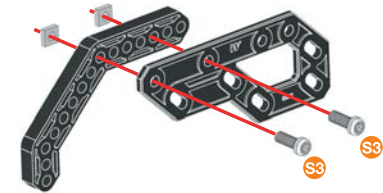
-  **S2** **1:1**



21







-  **x1**
-  **x1**
-  | 12 mm | **x2**
1/2"
-  **x2**




-  **S3** **1:1**

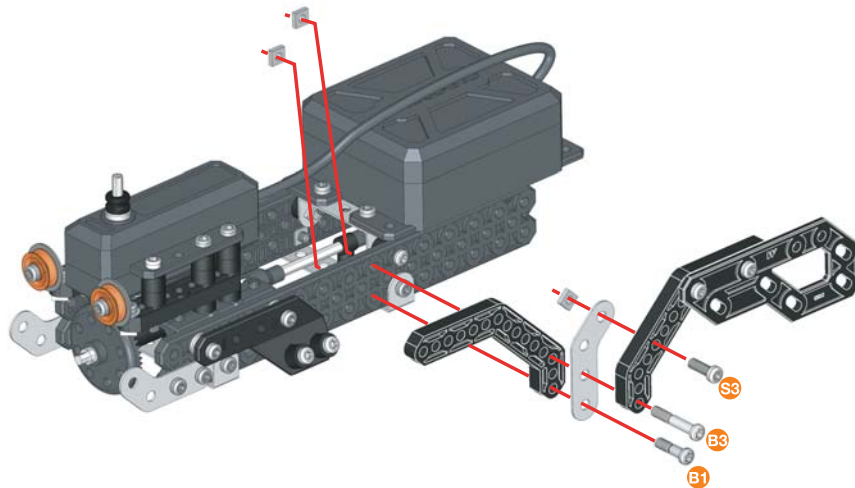


22





(20) + (21) +

-  **x1**
-  **x1**
-  | 23 mm | **x1**
15/16"
-  | 14,7 mm | **x1**
37/64"
-  | 12 mm | **x1**
1/2"
-  **x3**

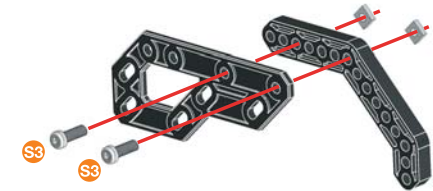
-  **B3**
 -  **B1**
 -  **S3**
- 1:1**

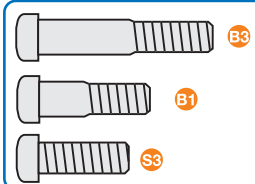
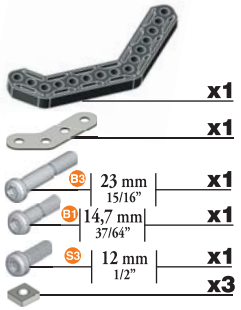
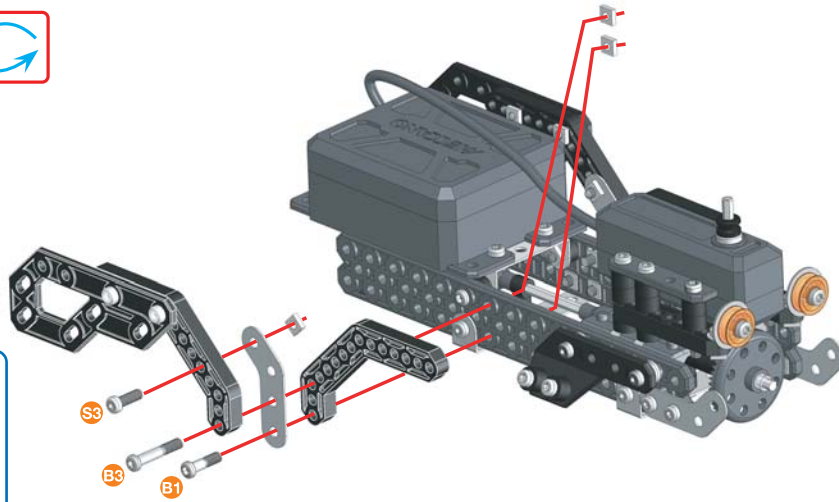
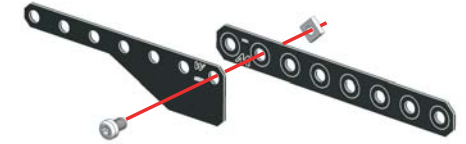
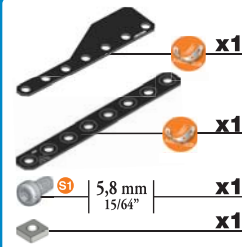
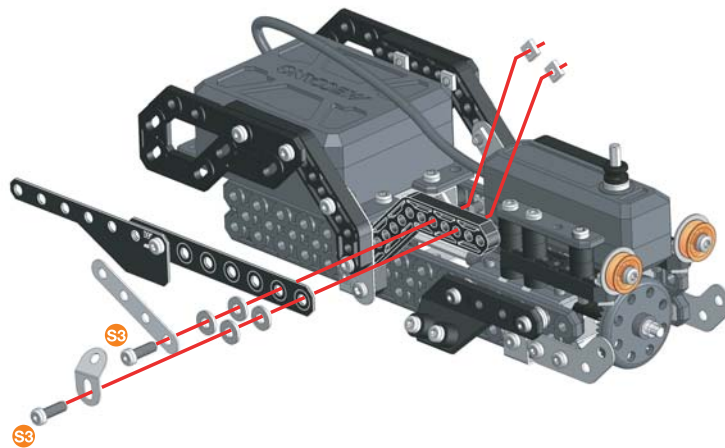
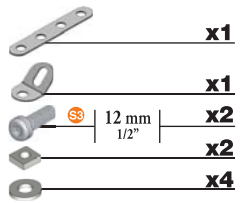
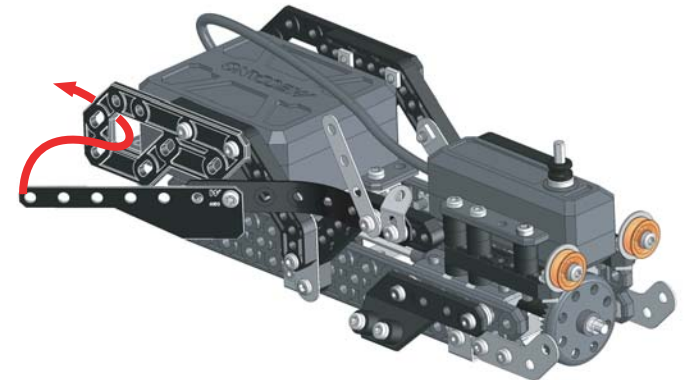


23

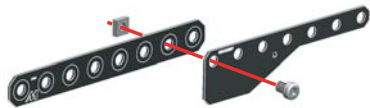
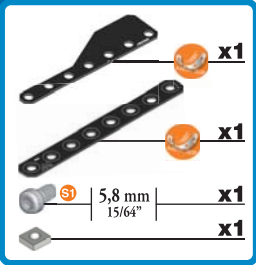
-  **x1**
-  **x1**
-  | 12 mm | **x2**
1/2"
-  **x2**

-  **S3** **1:1**



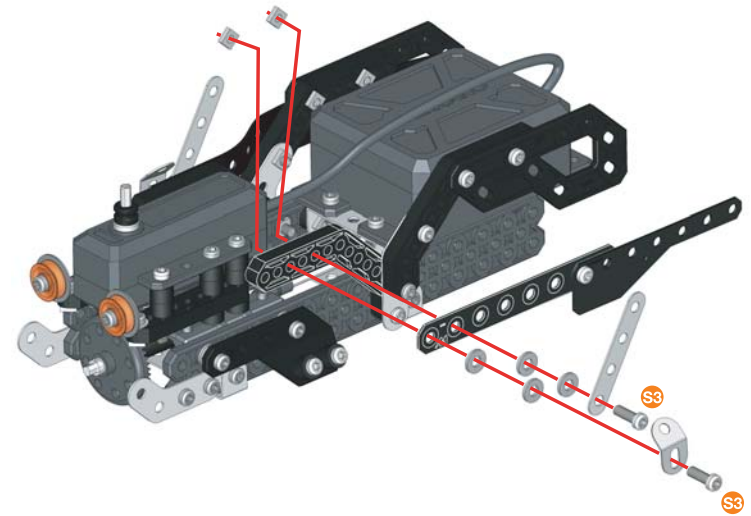
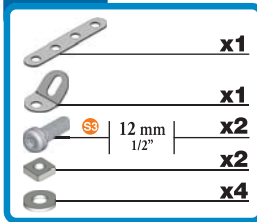
24**(22) + (23) +****1:1****25****26****(24) + (25) +****27**

28

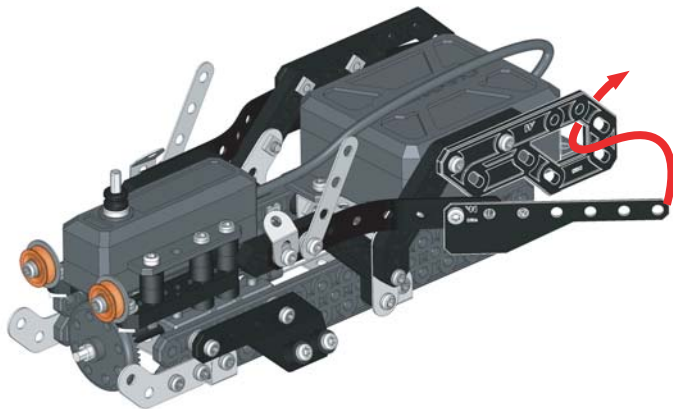


29

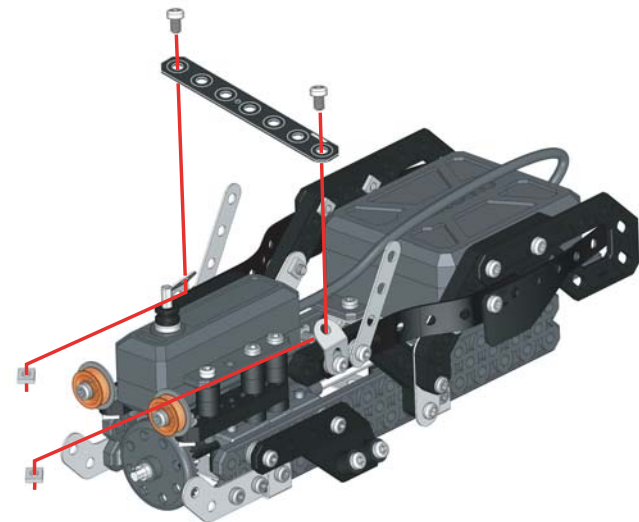
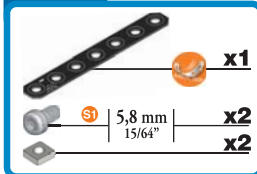
27 + 28 +






30



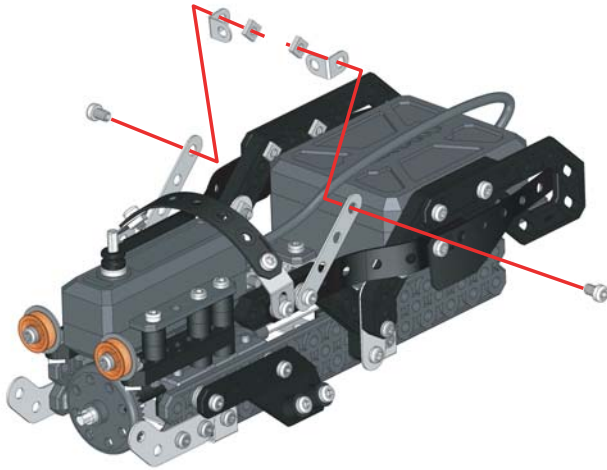
31






32

-  x2
-  5,8 mm | 15/64" x2
-  x2

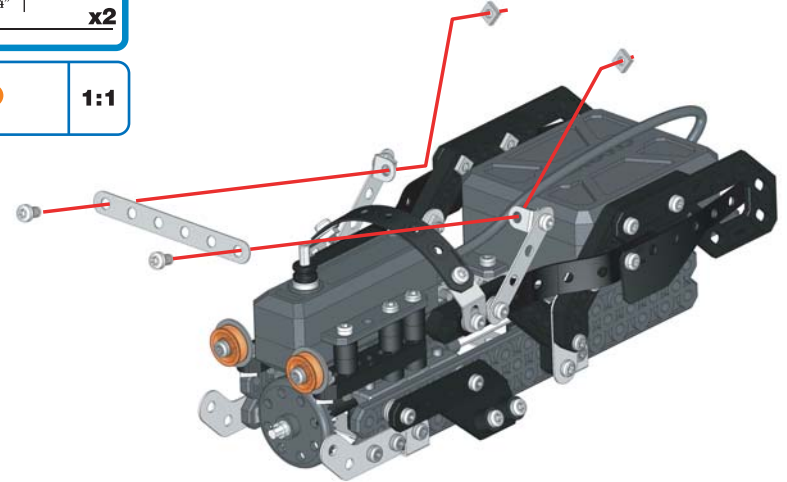
-  S1 1:1





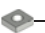
33

-  x1
-  5,8 mm | 15/64" x2
-  x2

-  S1 1:1

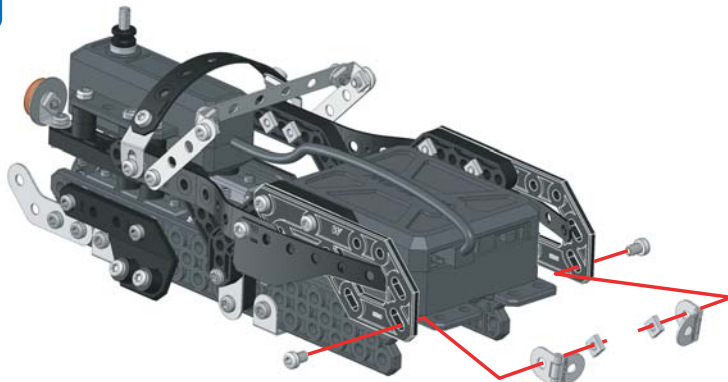


34




-  x2
-  5,8 mm | 15/64" x2
-  x2



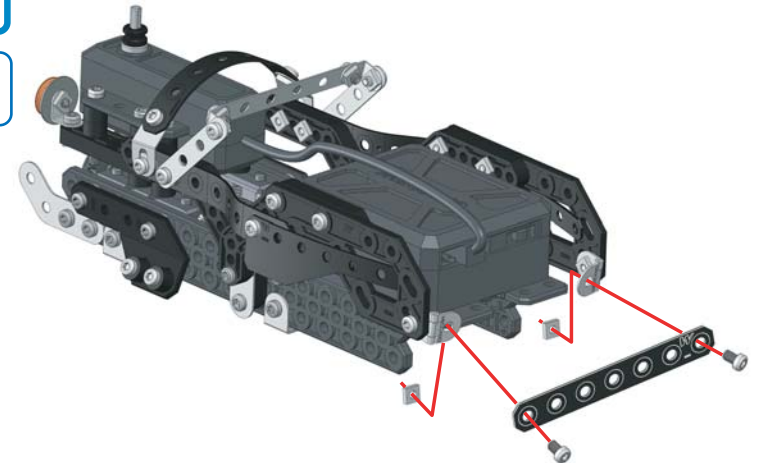
-  S1 1:1



35

-  x1
-  5,8 mm | 15/64" x2
-  x2

-  S1 1:1

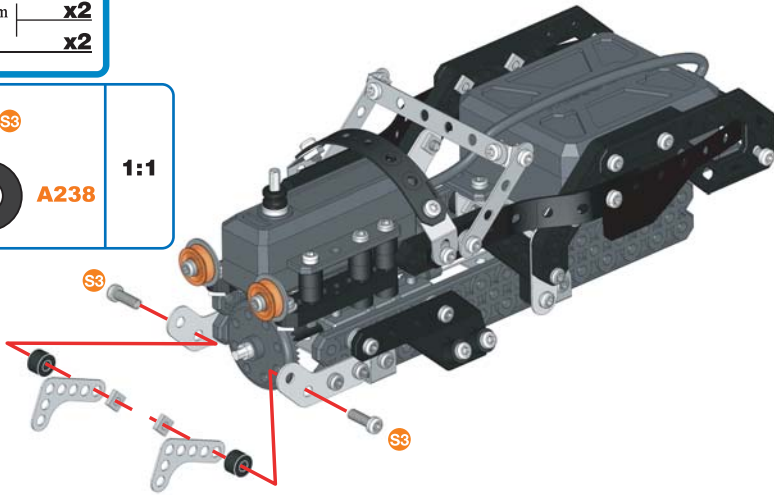


36

- x2
- x2
- x2
- x2



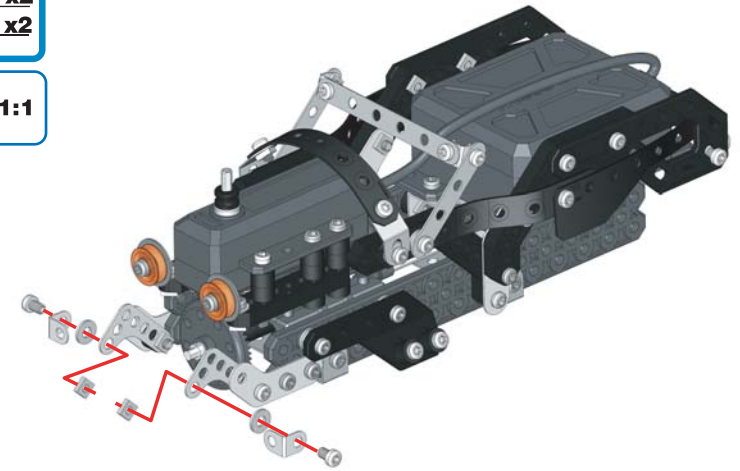
- S3
- A238
- 1:1



37

- x2
- x2
- S1
- x2

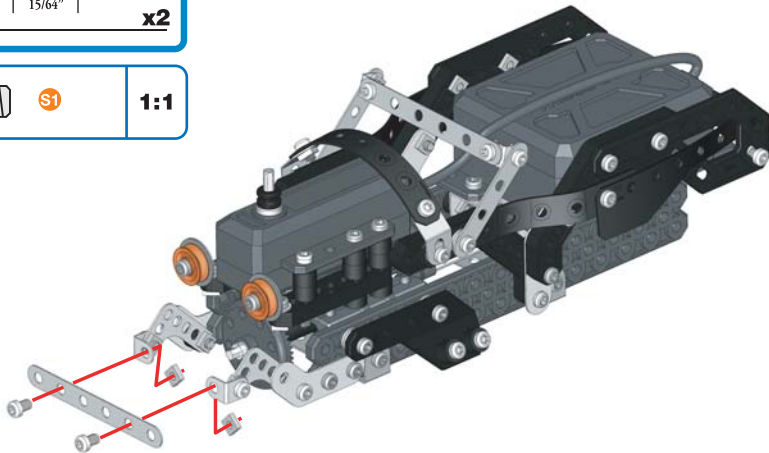
- S1
- 1:1



38

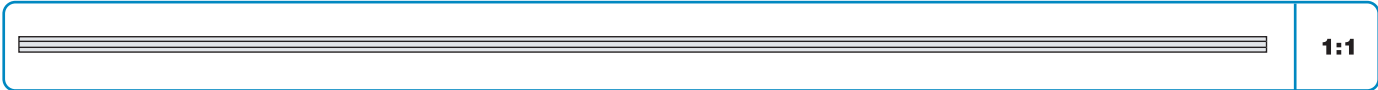
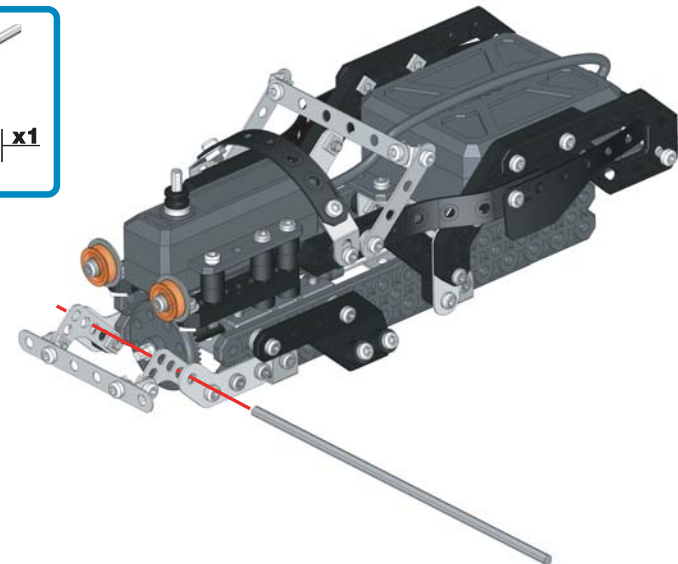
- x1
- S1
- x2
- x2

- S1
- 1:1



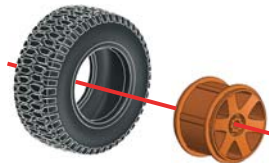
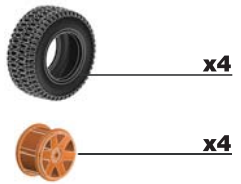
39

- x1



1:1

40

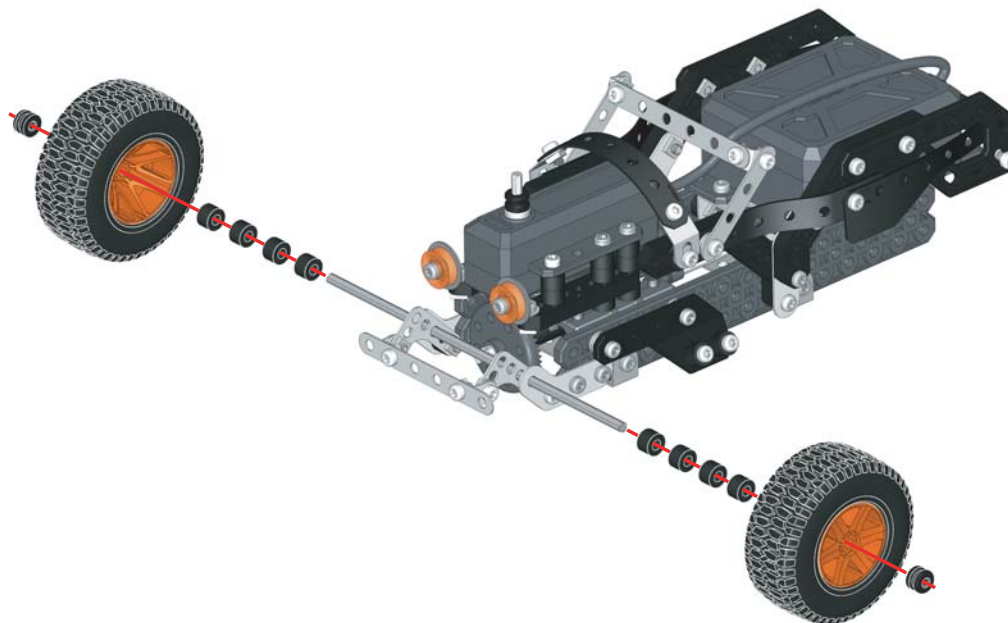
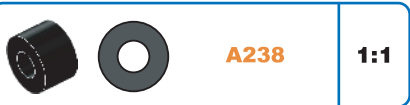
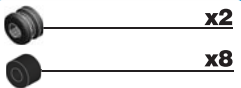


x4

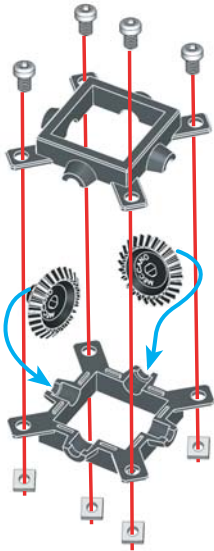
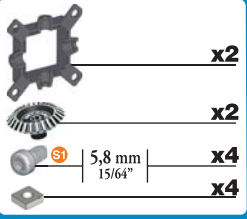


41

39 + 40 +

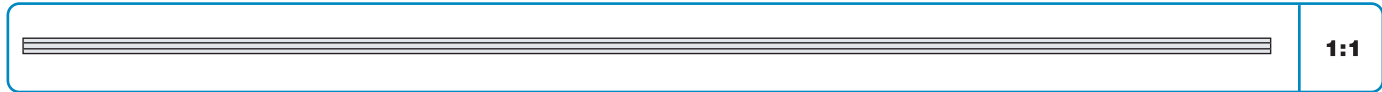
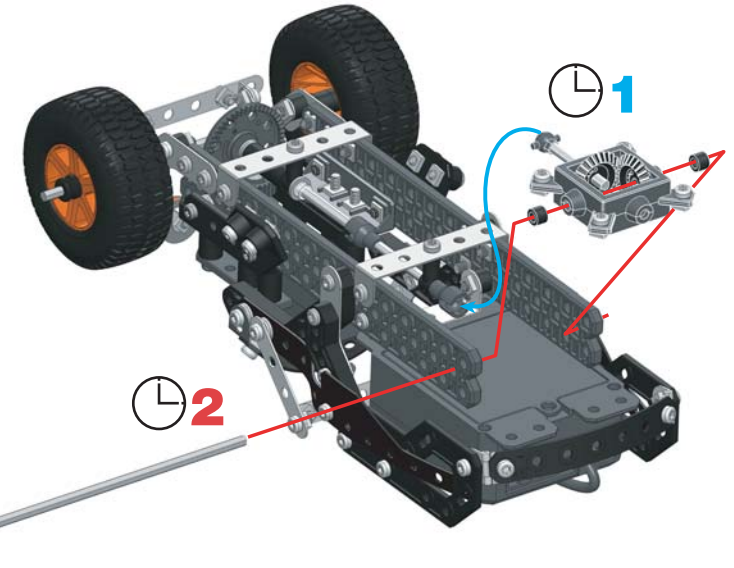
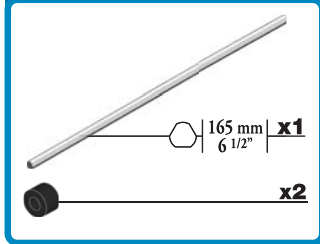


42

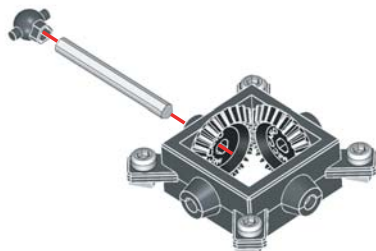
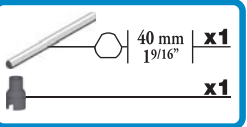


44

41 + 43 +



43



45

