

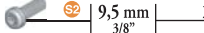
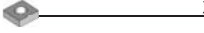
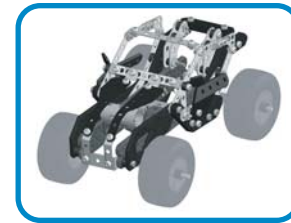


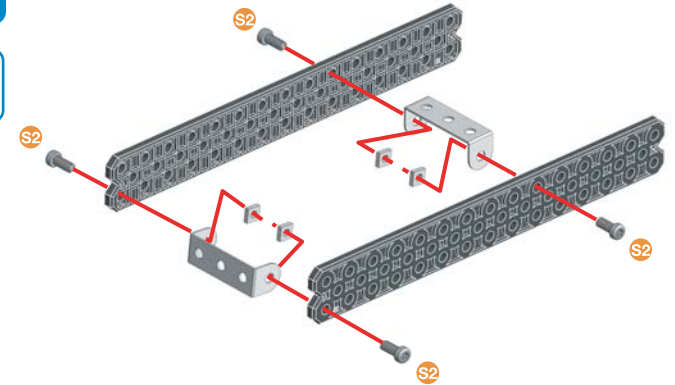


1




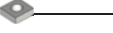

-  **x2**
-  **x2**
-  **x4**
-  **x4**



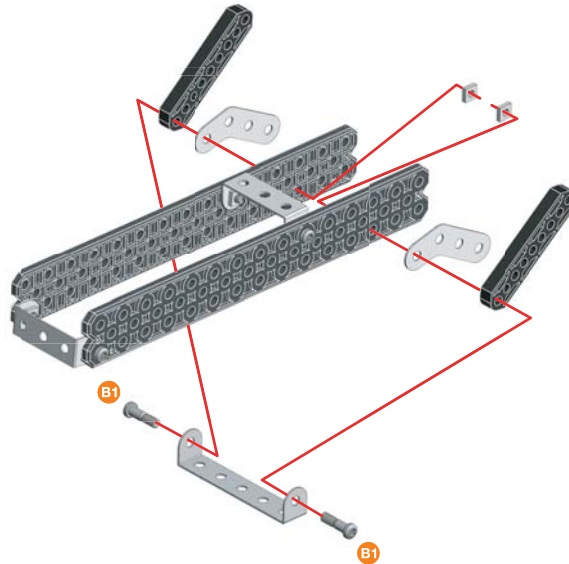
-  **1:1**







2

-  **x2**
-  **x1**
-  **x2**
-  **x2**
-  **x2**

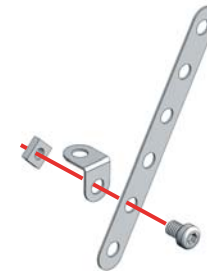
-  **1:1**



3

-  **x1**
-  **x1**
-  **x1**
-  **x1**

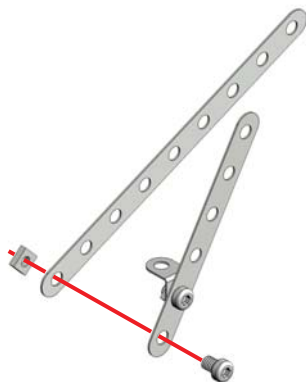
-  **1:1**



4

	x1
	x1
	x1

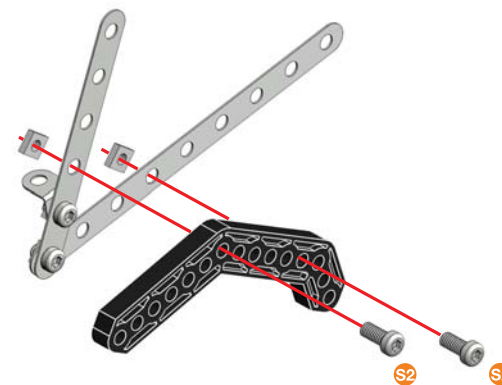
	S1	1:1
--	-----------	------------



5

	x1
	x2
	x2

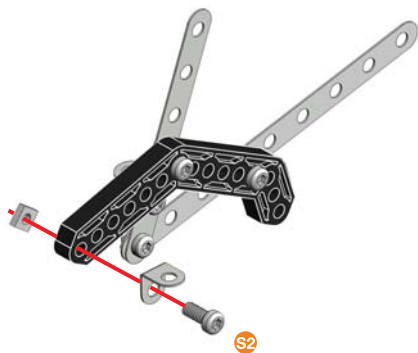
	S2	1:1
--	-----------	------------



6

	x1
	x1
	x1

	S2	1:1
--	-----------	------------

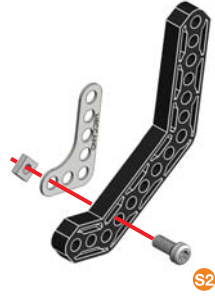
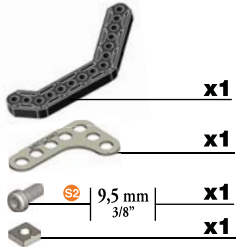
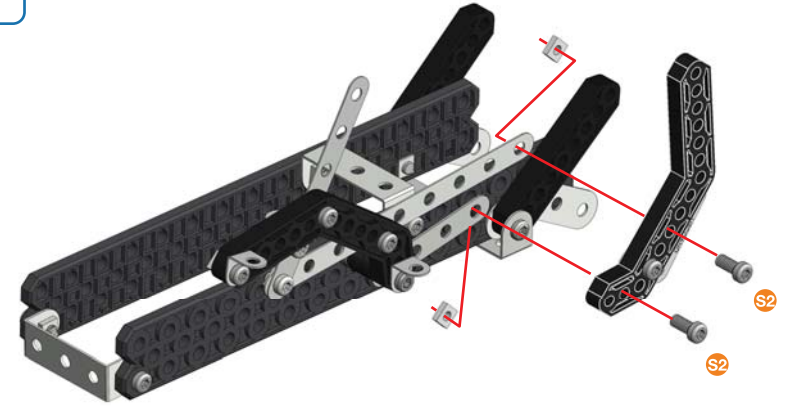
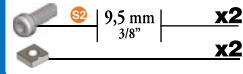
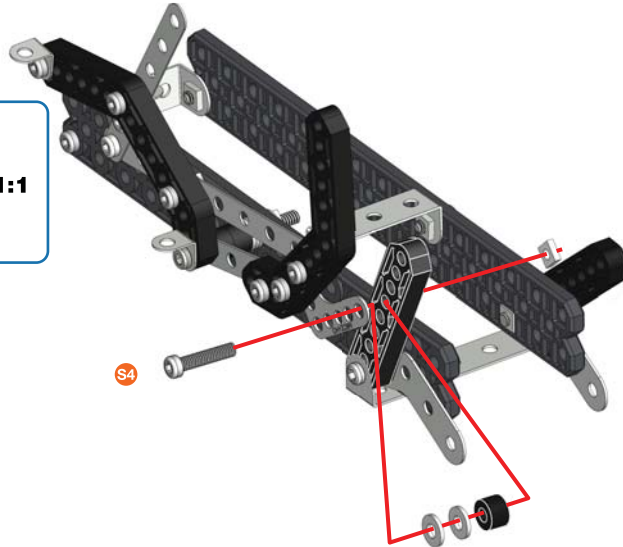
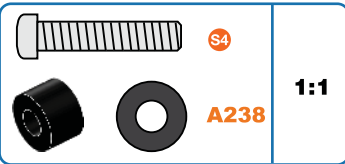
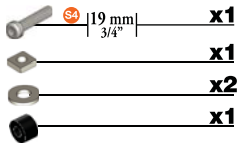
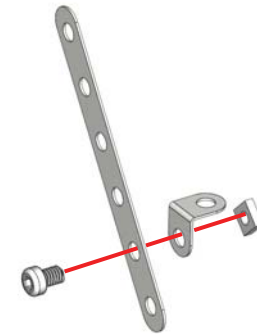
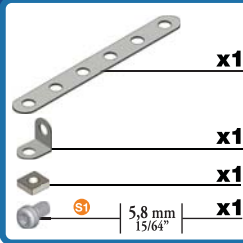


7 (2) + (6) +


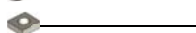

	x1
	x1
	x2
	x1
	x4
	x1

	B5	1:1
	A238	

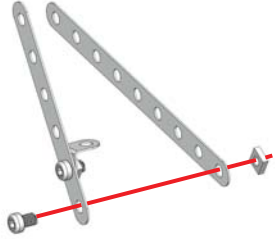


8**9****(7) + (8) +****10****11**




12

-  **x1**
-  **x1**
-  **x1**

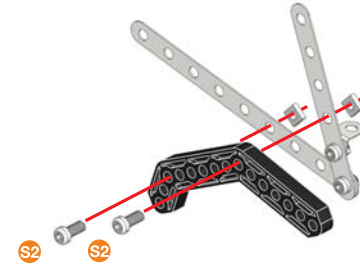
-  **S1** **1:1**




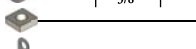
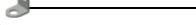
13

-  **x1**
-  **x2**
-  **x2**

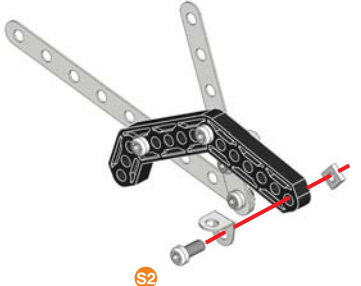
-  **S2** **1:1**



14



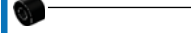
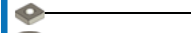
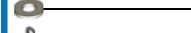

-  **x1**
-  **x1**
-  **x1**

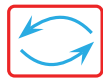
-  **S2** **1:1**





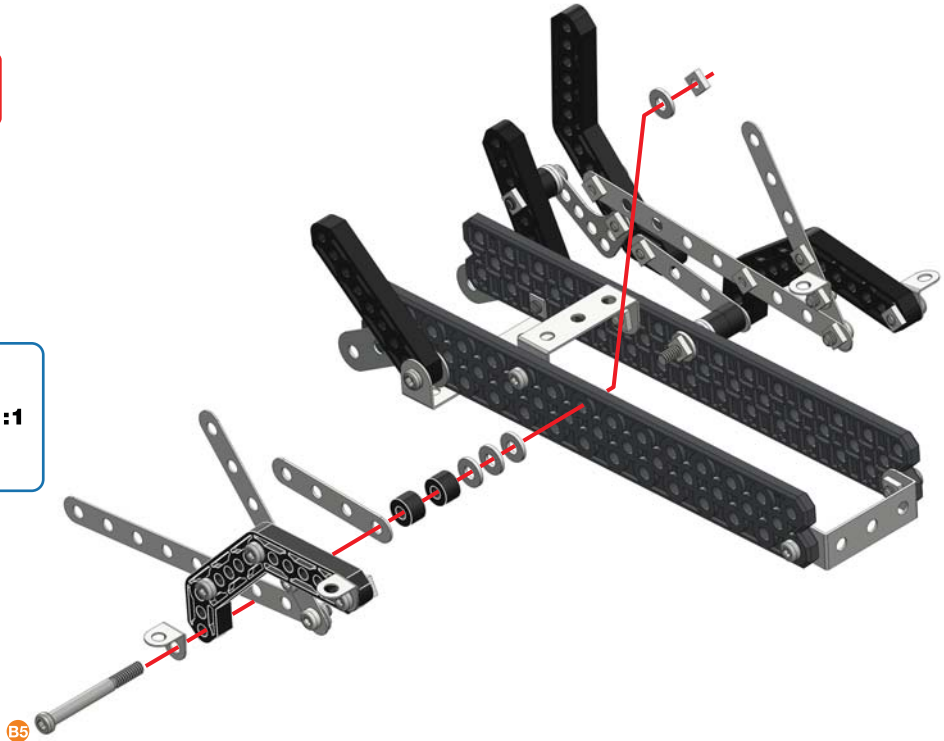
15

10 + 14 +





-  **x1**
-  **x1**
-  **x2**
-  **x1**
-  **x4**
-  **x1**



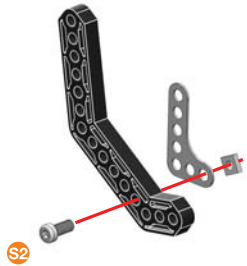
-  **B5**
-  **A238**
- 1:1**



16



-  **x1**
-  **x1**
-  | 9,5 mm | **x1**
-  | **x1**

-  **S2** | **1:1**

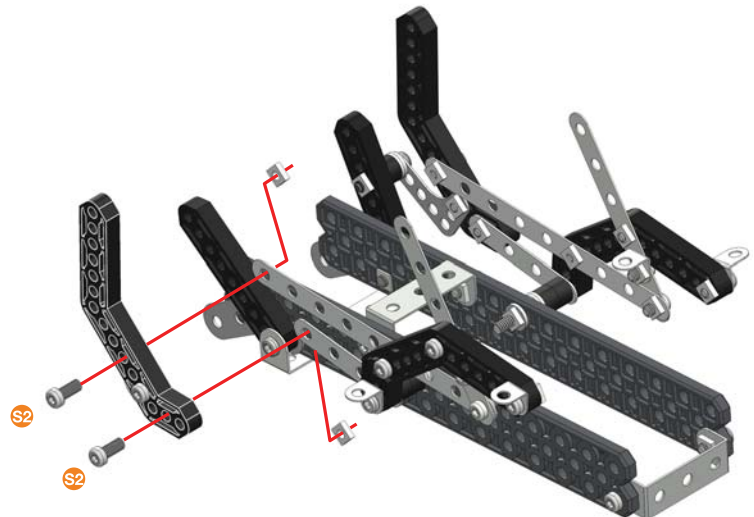


17



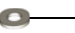

10 + 16 +

-  **S2** | 9,5 mm | **x2**
-  | **x2**



-  **S2** | **1:1**

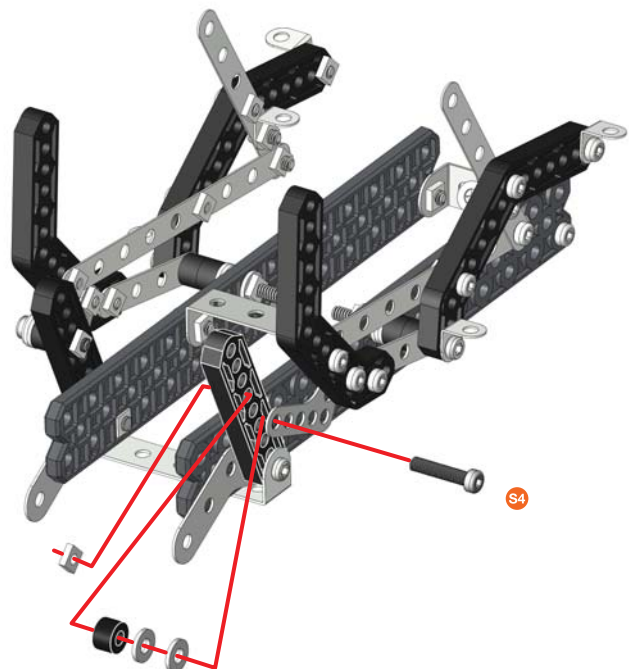


18




-  **S4** | 19 mm | **x1**
-  | **x1**
-  | **x2**
-  | **x1**



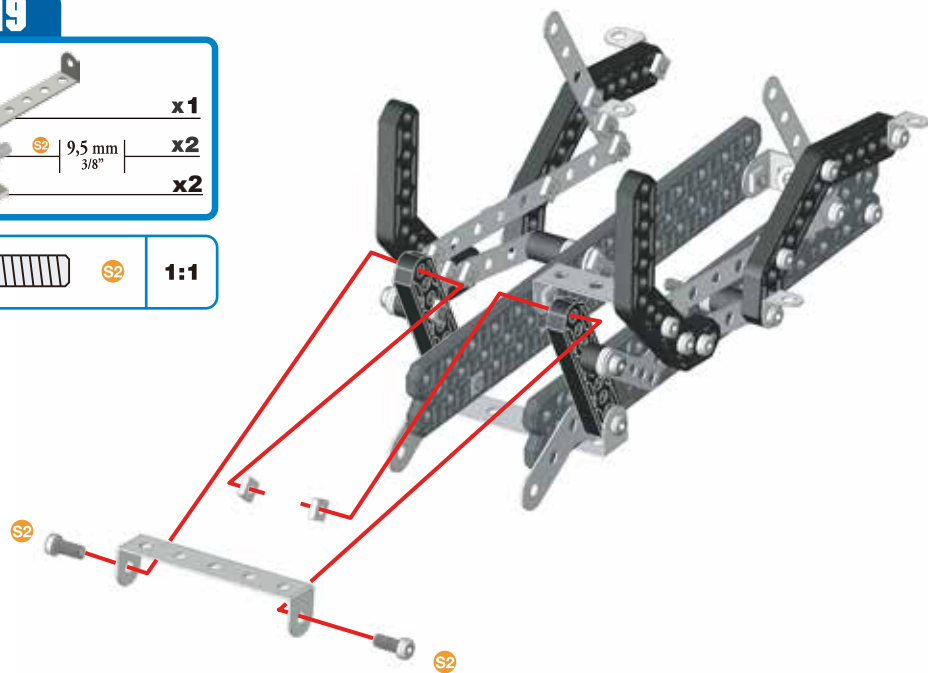
-  **S4** | **1:1**
-  **A238**





19

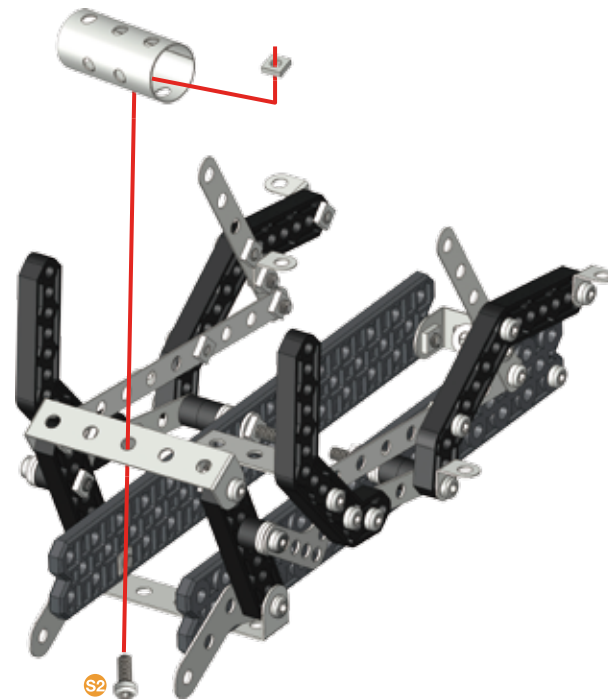
	x1
 9,5 mm 3/8"	x2
	x2




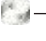
	S2	1:1
---	-----------	------------


**20**

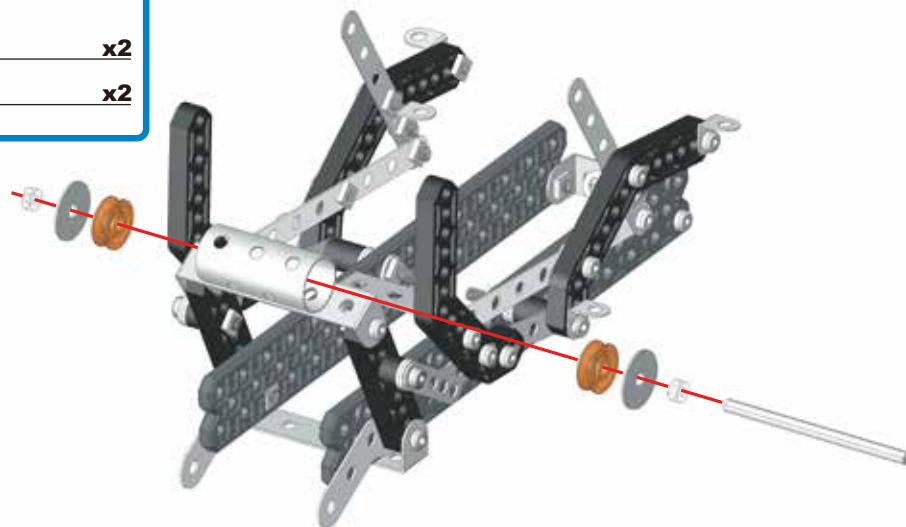
	x1
 9,5 mm 3/8"	x1
	x1




	S2	1:1
---	-----------	------------

**21**

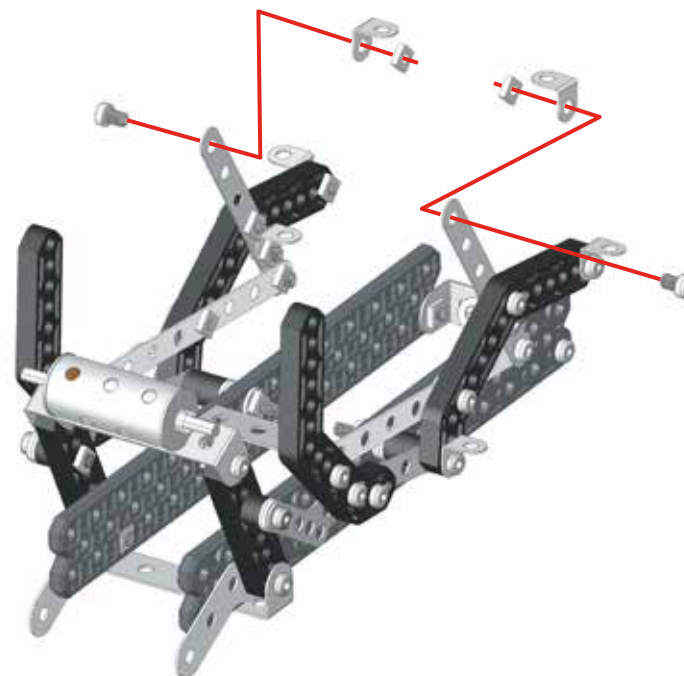
 60 mm 2 3/8"	x1
	x2
	x2
	x2

	1:1
---	------------




**22**

	x2
	x2
 5,8 mm 15/64"	x2

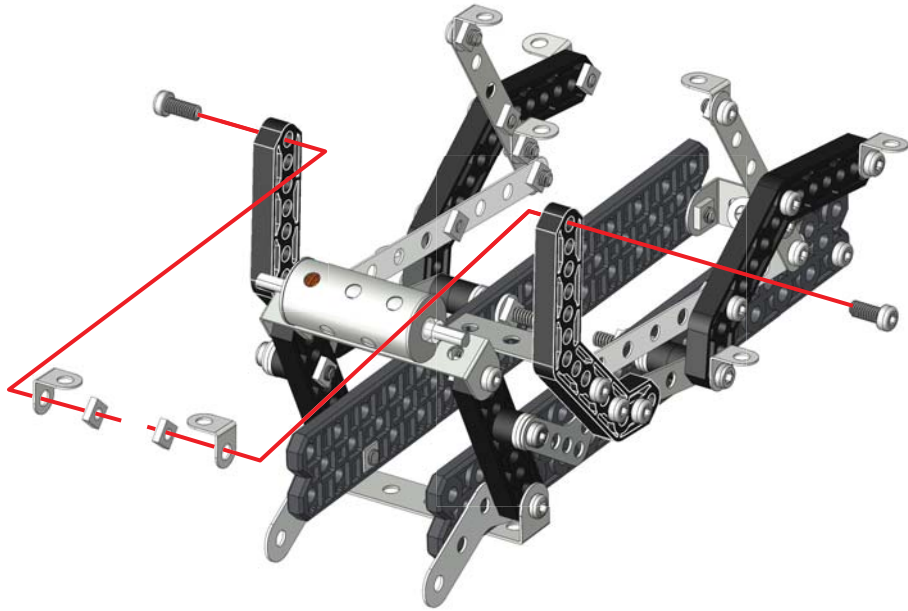
	S1	1:1
---	-----------	------------






23

-  **x2**
-  **x2**
-  **x2**

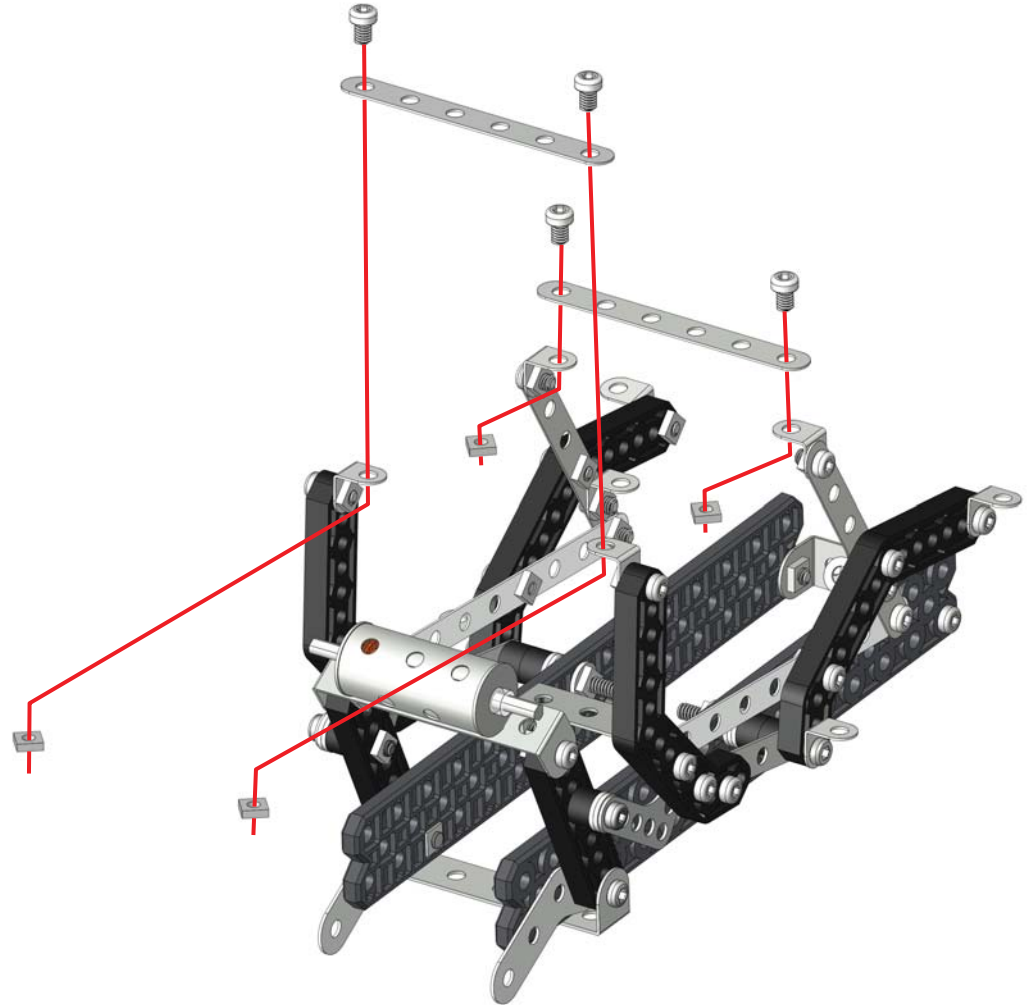
-  **S1** **1:1**



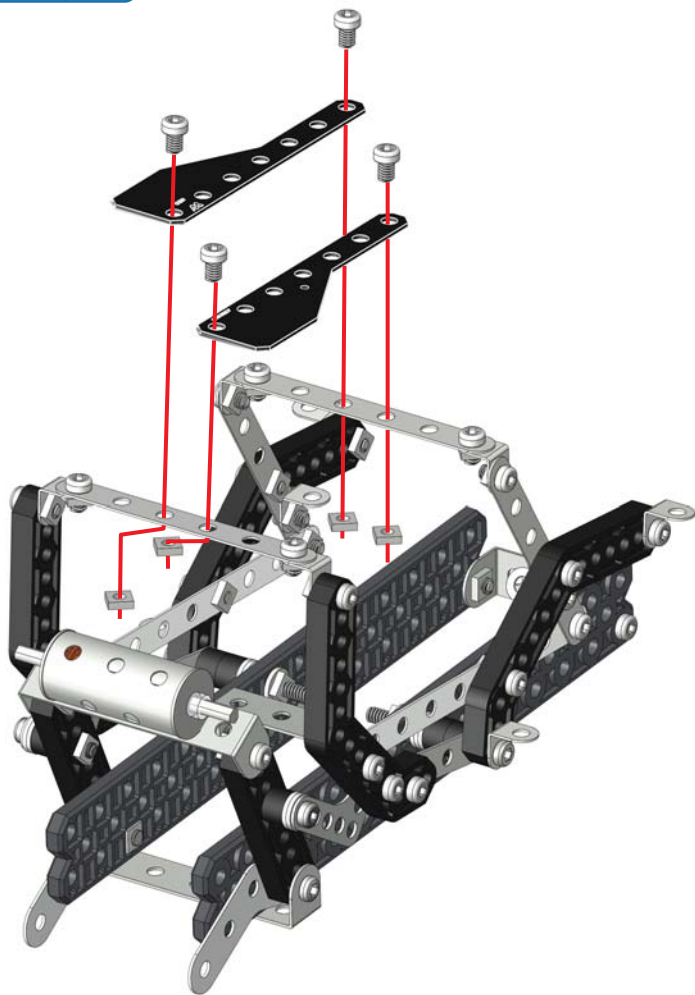
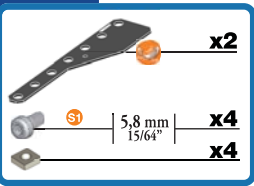
24

-  **x2**
-  **x4**
-  **x4**

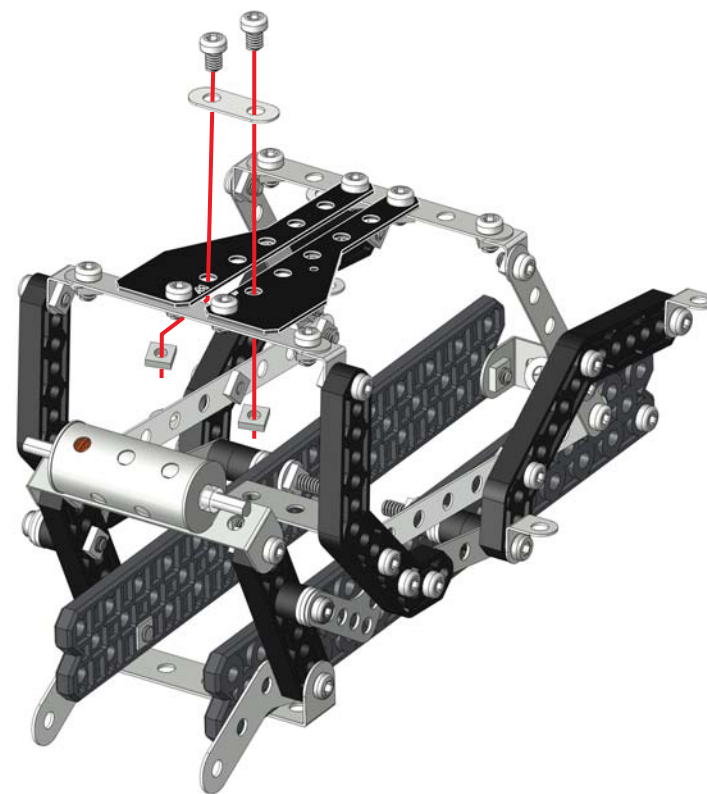
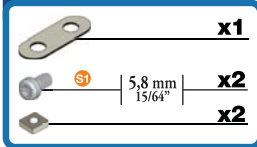
-  **S1** **1:1**





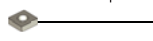
25



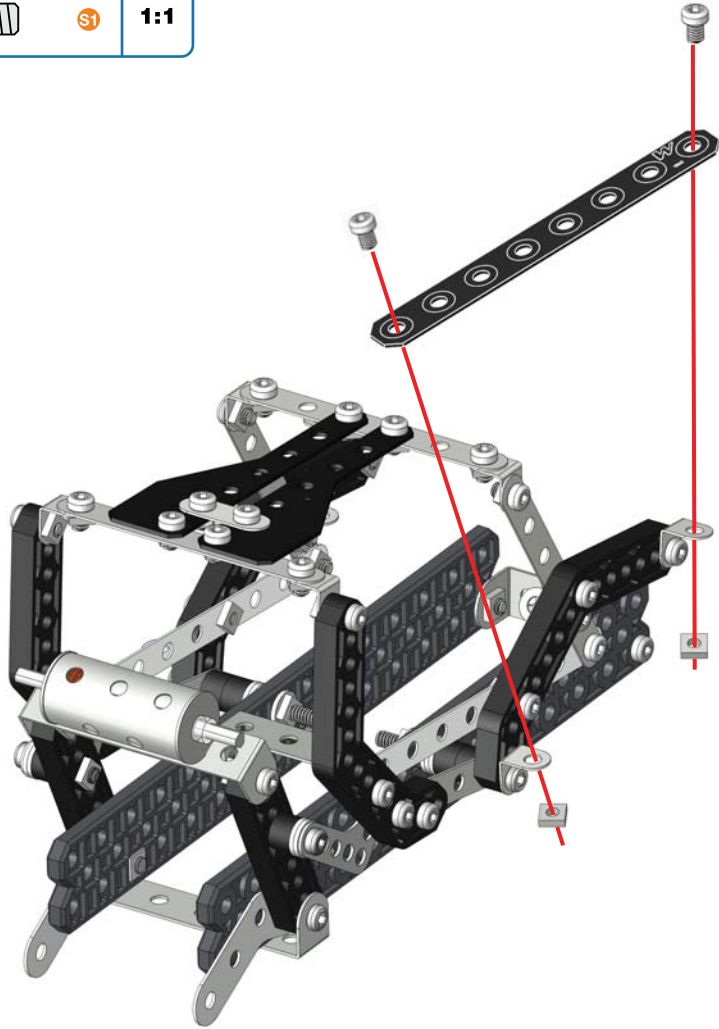
26






27

	x1
	x2
	x2

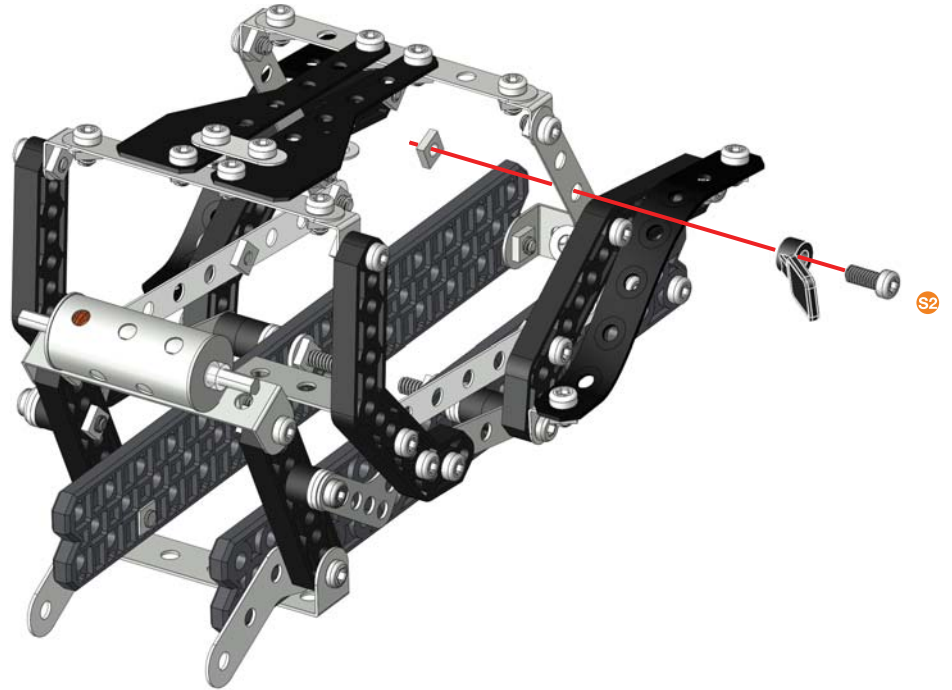
	S1	1:1
--	-----------	------------






28

	x1
	x2
	x2

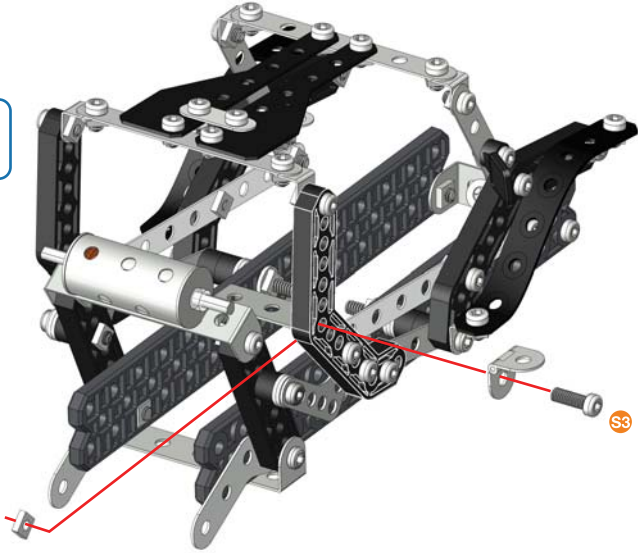
	S2	1:1
---	-----------	------------






29

-  12 mm | 1/2" | **x1**
-  **x1**
-  **x1**

-  **S3** | **1:1**

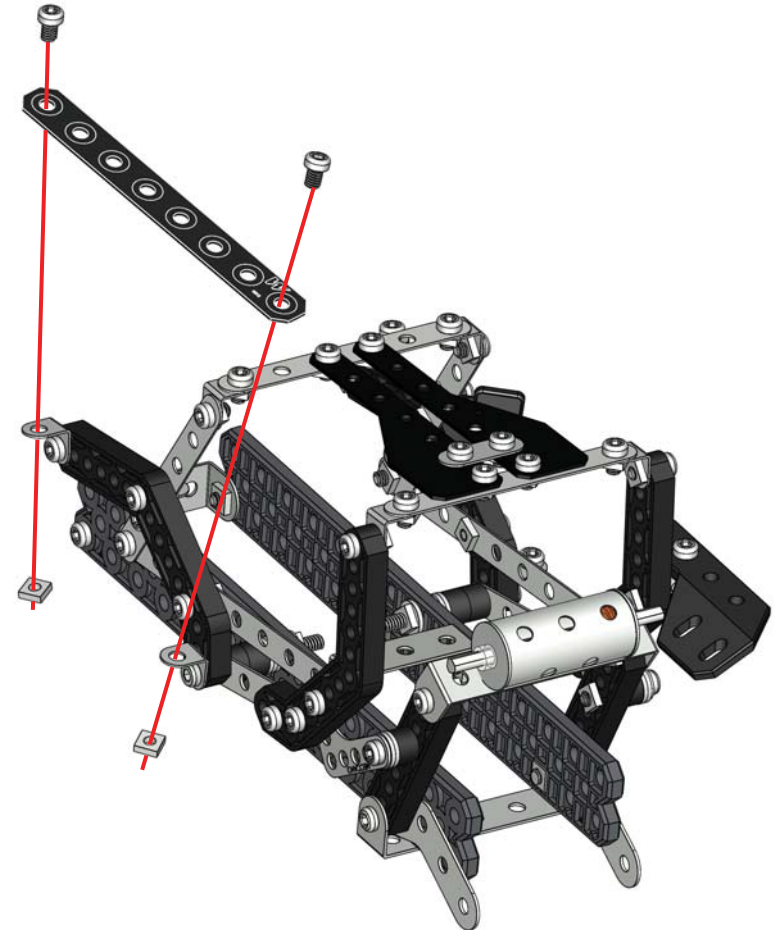


31

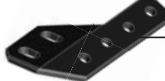


-  **x1**
-  5,8 mm | 15/64" | **x2**
-  **x2**



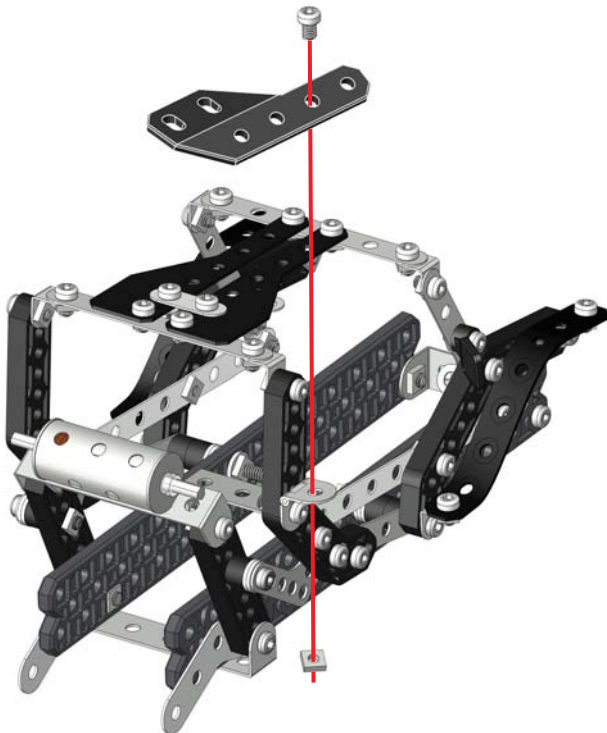
-  **S1** | **1:1**






30

-  **x1**
-  5,8 mm | 15/64" | **x1**
-  **x1**

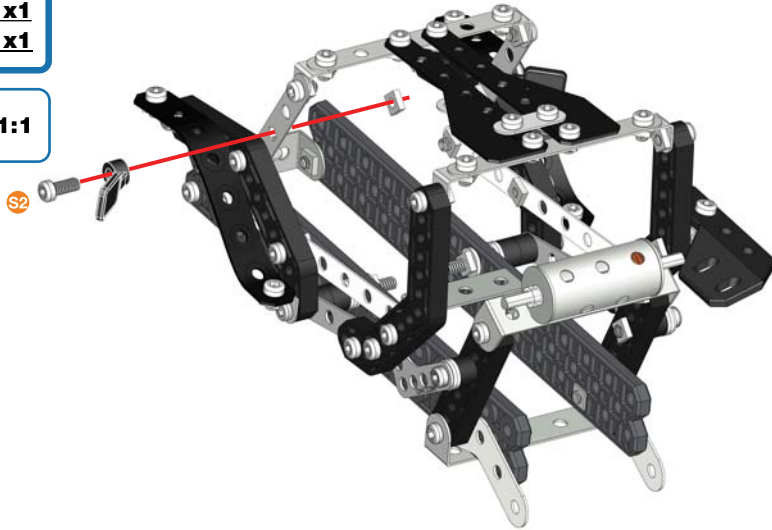
-  **S1** | **1:1**



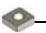


32

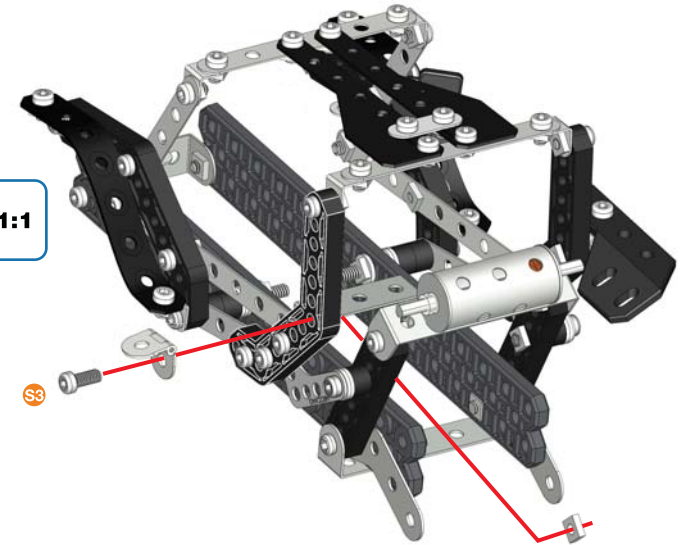
	x1
 9,5 mm 3/8"	x1
	x1



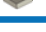
	S2	1:1
---	-----------	------------

**33**

 12 mm 1/2"	x1
	x1
	x1






	S3	1:1
---	-----------	------------

**34**

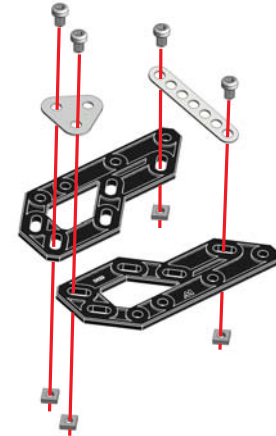
	x1
 5,8 mm 15/64"	x1
	x1

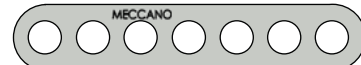
	S1	1:1
---	-----------	------------

**35**




	x2
	x1
	x1
 5,8 mm 15/64"	x4
	x4

	S1	1:1
---	-----------	------------

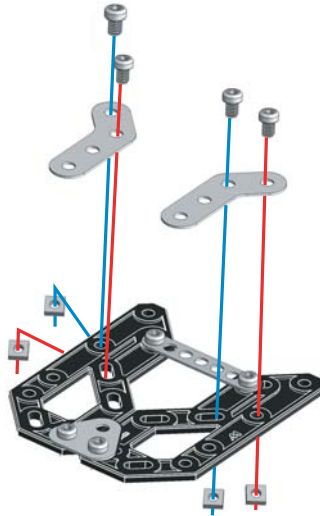






	1:1
---	------------

36

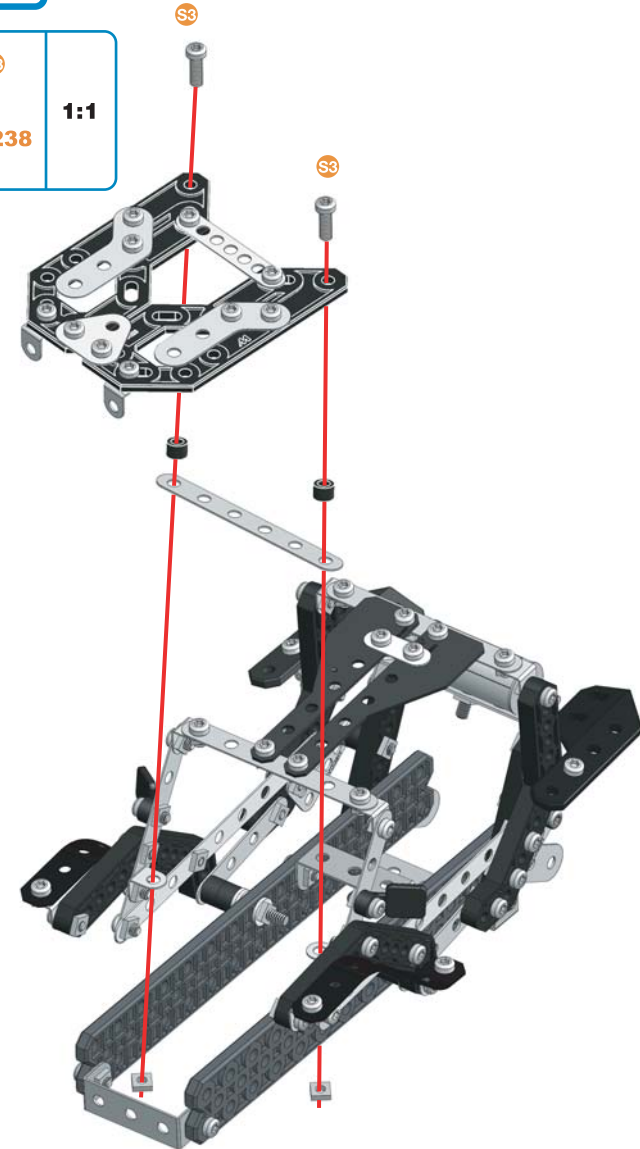
-  **x2**
-  | 5,8 mm | **x4**
15/64"
-  **x4**




-  **S1** **1:1**

**38****34 + 37 +**

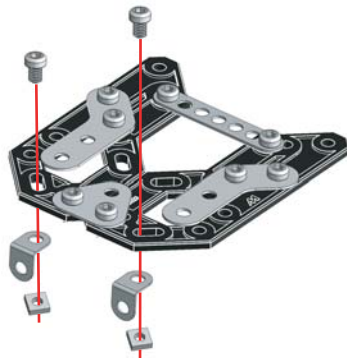
-  **x1**
-  | 12 mm | **x2**
1/2"
-  **x2**
-  **x2**

-  **S3** **1:1**
-  **A238**


**37**


-  **x2**
-  **x2**
-  | 5,8 mm | **x2**
15/64"


-  **S1** **1:1**



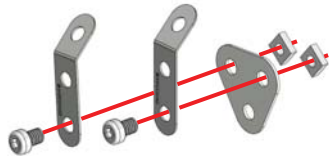
39

 x2

 5,8 mm 15/64" x2


 x2


 S1 1:1



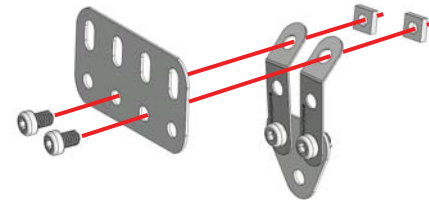
40

 x1


 5,8 mm 15/64" x2


 x2

 S1 1:1

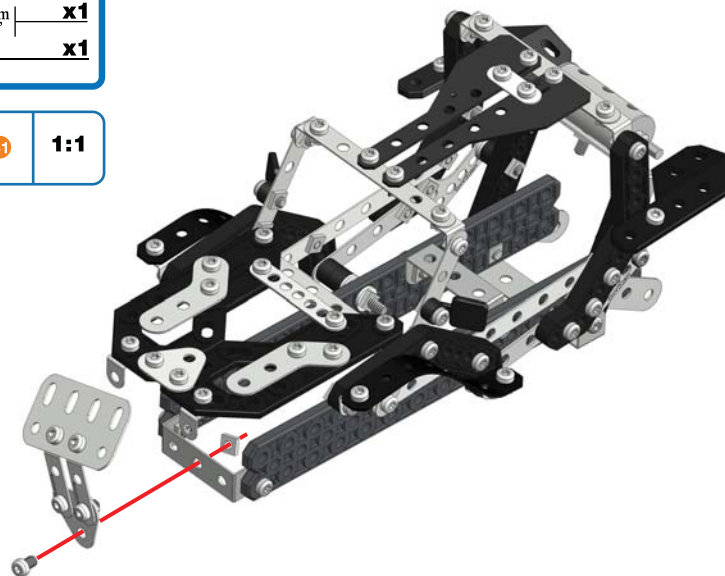


41


 5,8 mm 15/64" x1


 x1

 S1 1:1

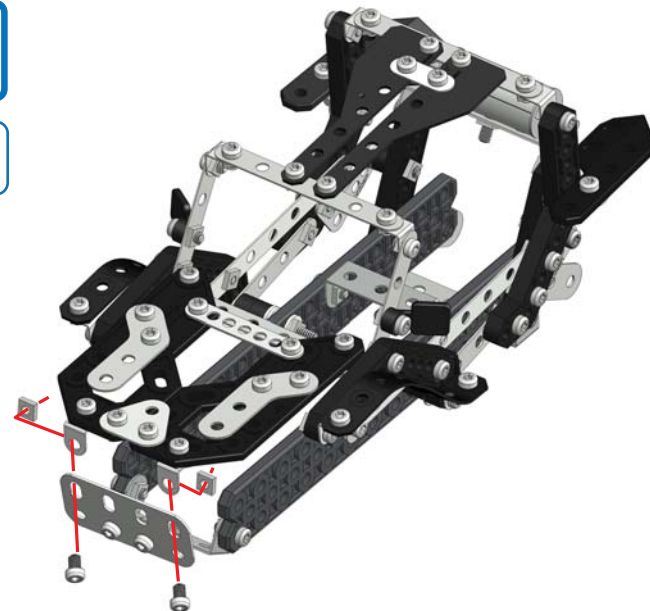


42

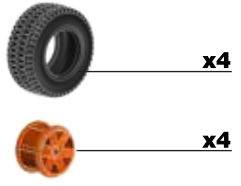
 5,8 mm 15/64" x2

 x2

 S1 1:1



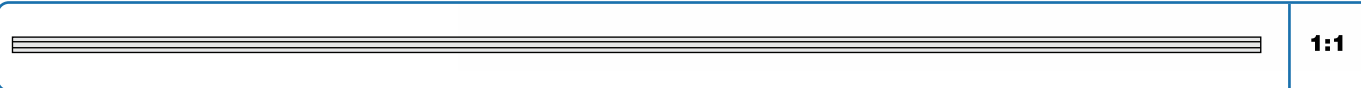
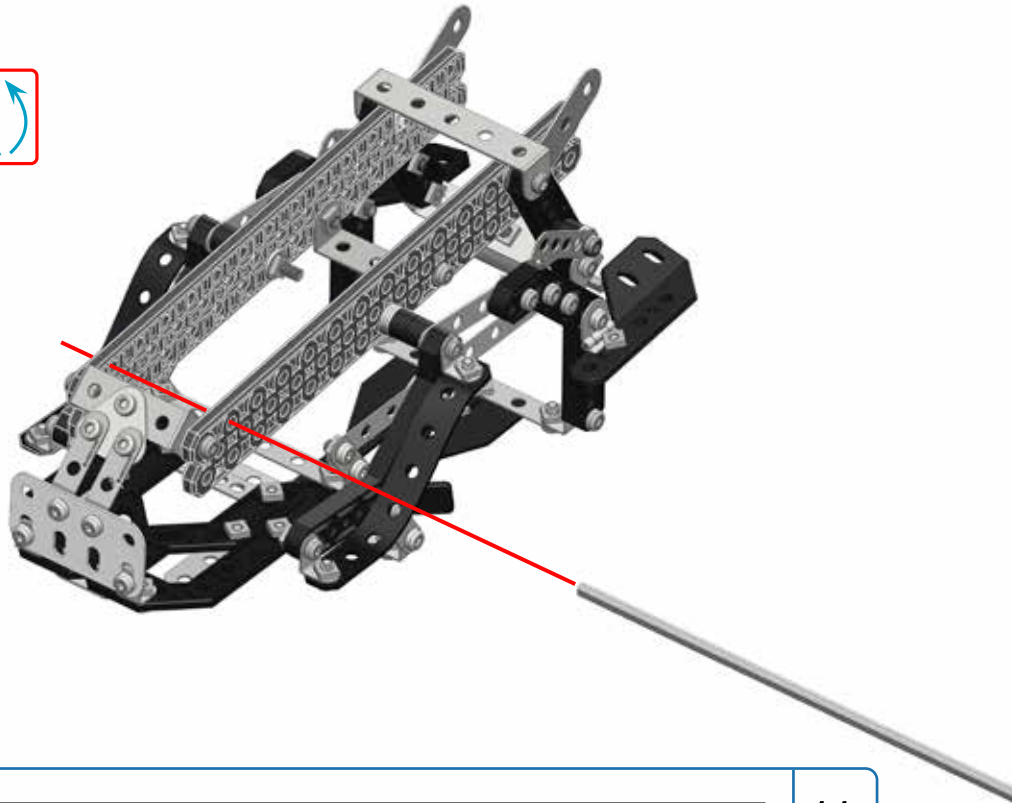
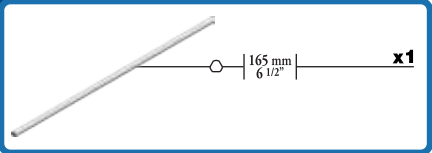
43



x4






44

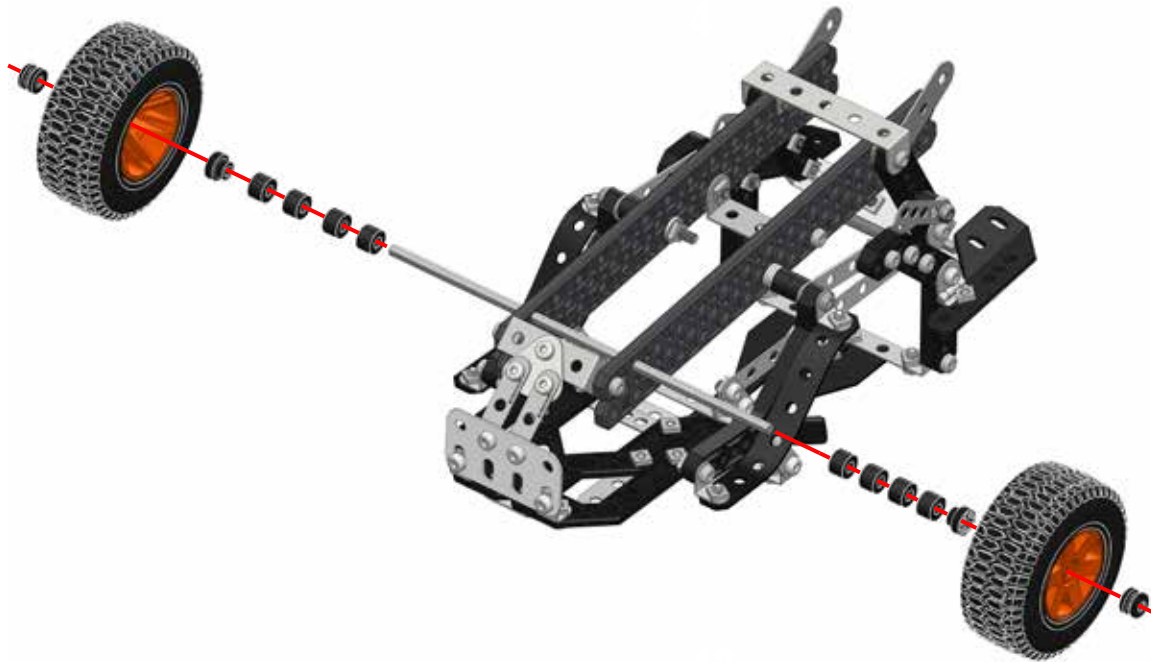


45

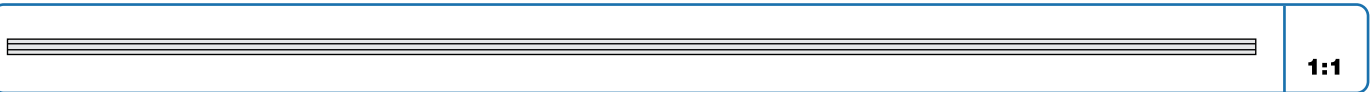
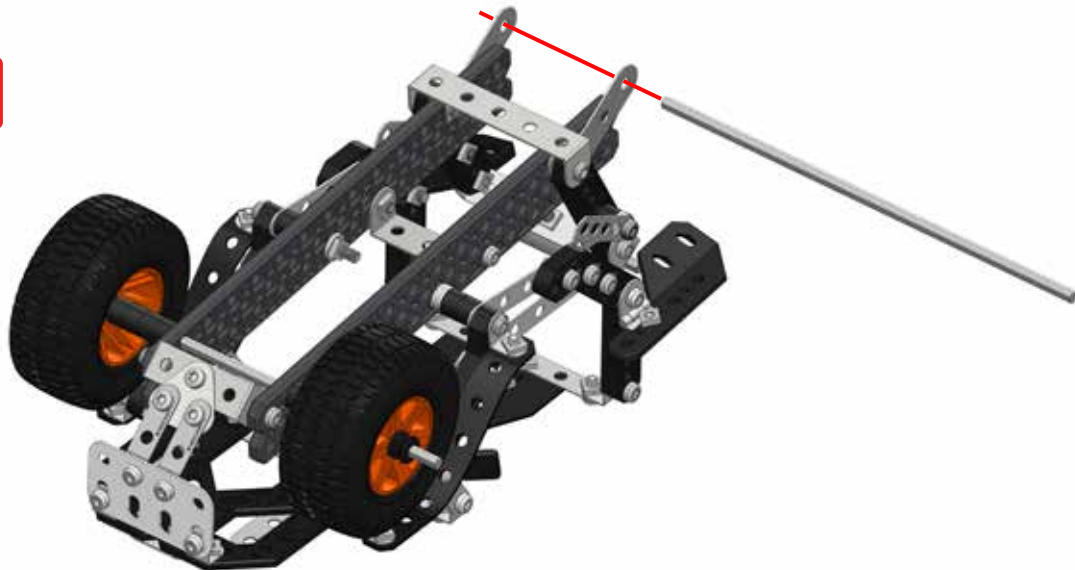
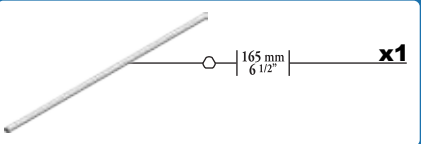
43 + 44 +

-  x2
-  x2
-  x8

-   A238 1:1






46



47

(43) + (46) +

-  x2
-  x2
-  x8

-   A238 1:1

