


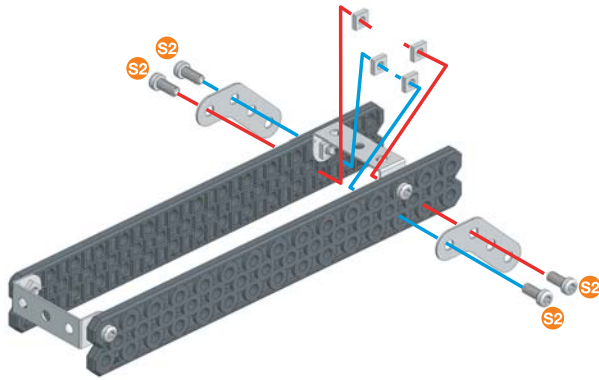








2

-  **x2**
-  9,5 mm **x4**
3/8"
-  **x4**

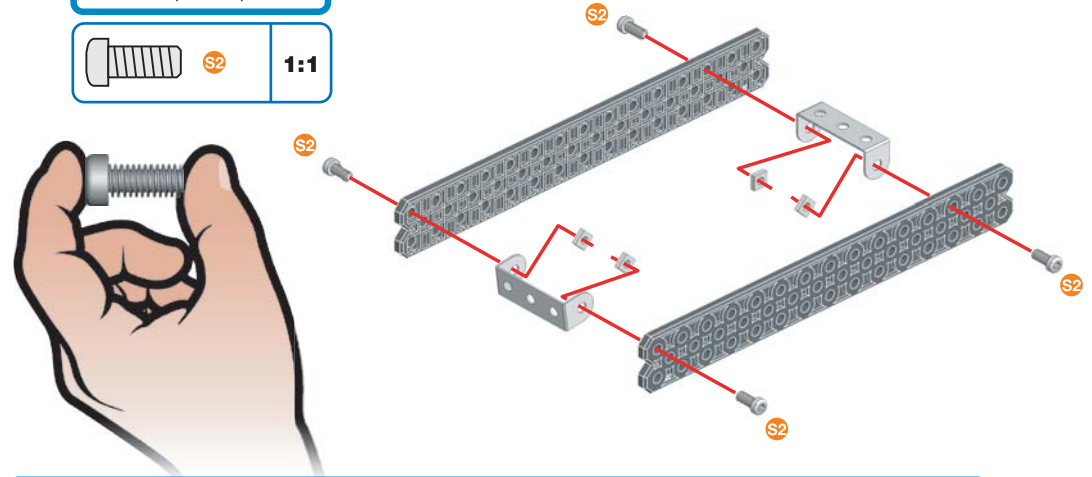
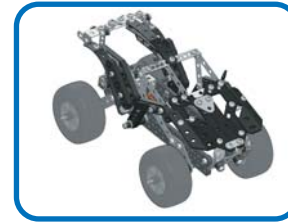
-  **1:1**







1

-  **x2**
-  **x2**
-  **x4**
-  9,5 mm **x4**
3/8"

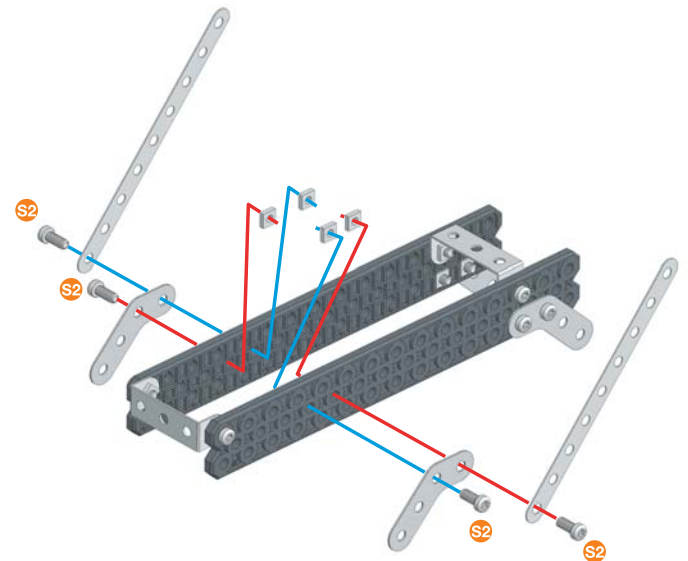
-  **1:1**






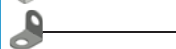
3

-  **x2**
-  **x2**
-  9,5 mm **x4**
3/8"
-  **x4**

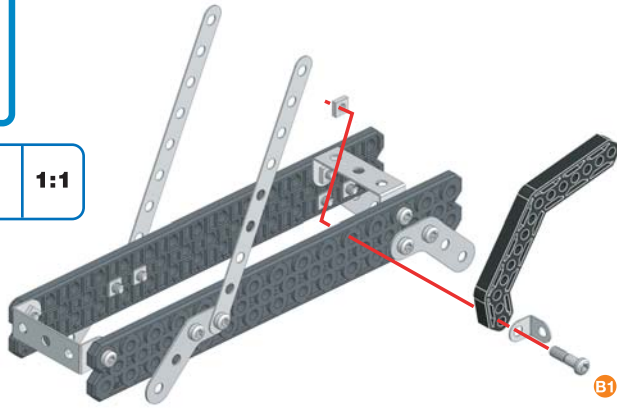
-  **1:1**





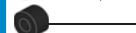
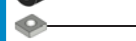
4



-  x1
-  B1 | 14,7 mm | 37/64" x1
-  x1
-  x1

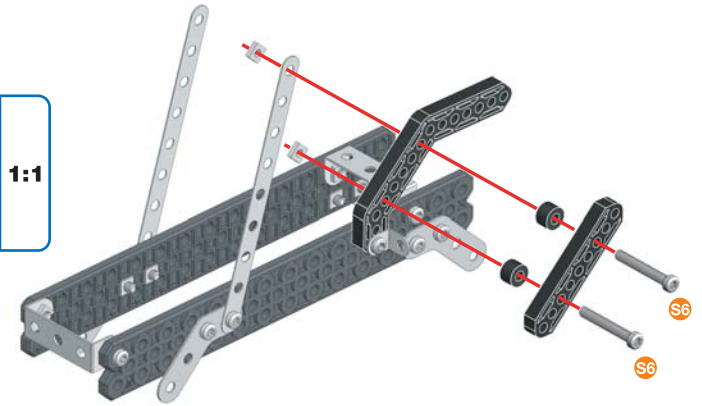
-  B1 1:1






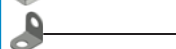
5

-  x1
-  S6 | 28 mm | 1 1/8" x2
-  x2
-  x2

-  S6 1:1
-  A238

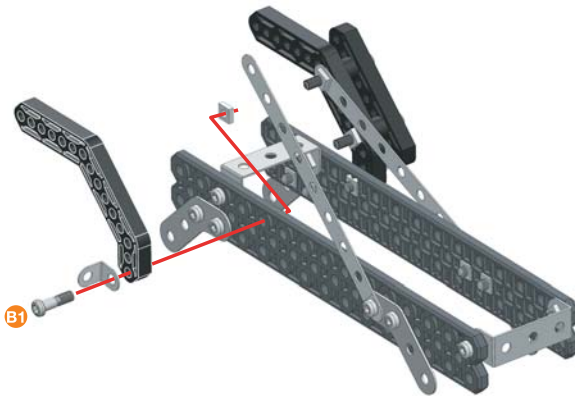


6




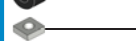
-  x1
-  B1 | 14,7 mm | 37/64" x1
-  x1
-  x1

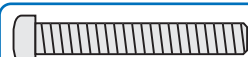



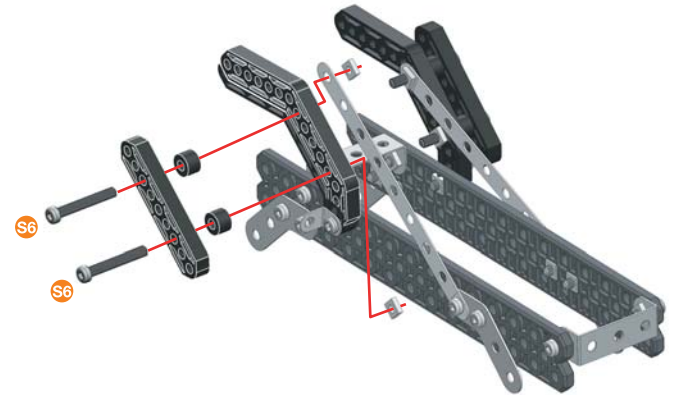
-  B1 1:1





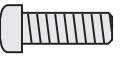


7

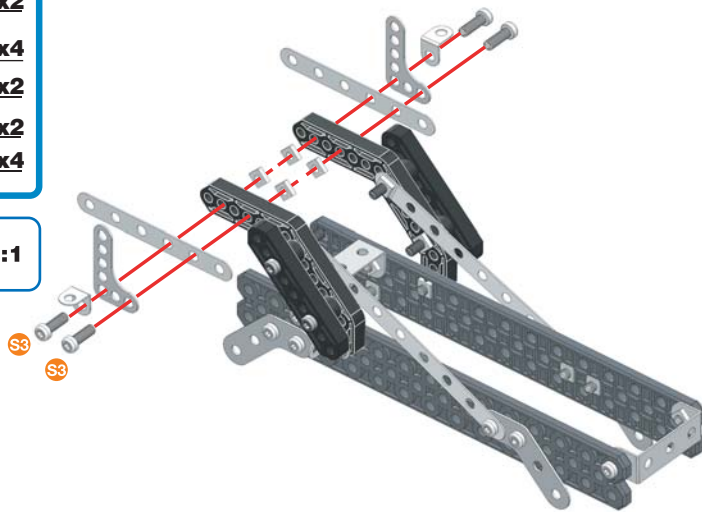
-  x1
-  S6 | 28 mm | 1 1/8" x2
-  x2
-  x2



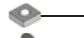

-  S6 1:1
-  A238



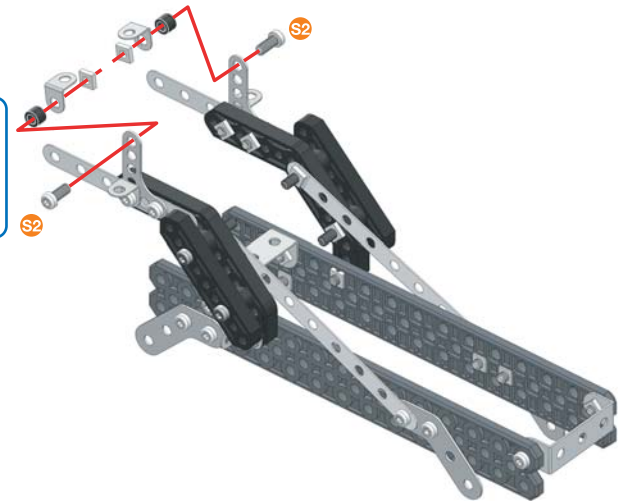
- 8**
-  **x2**
 -  | 12 mm | **x4**
 -  **x2**
 -  **x2**
 -  **x4**




-  **S3** | **1:1**



- 9**
-  | 9,5 mm | **x2**
 -  | 3/8" | **x2**
 -  | **x2**
 -  | **x2**




-  **S2** | **1:1**
-  **A338**



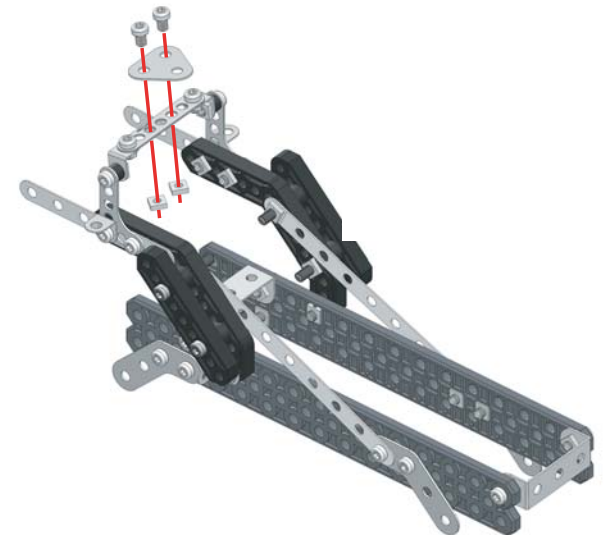
- 10**
-  **x1**
 -  | 5,8 mm | **x2**
 -  | 15/64" | **x2**

-  **S1** | **1:1**

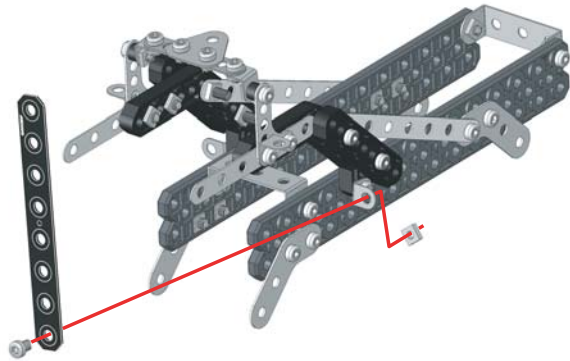
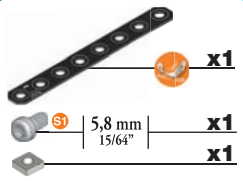


- 11**
-  **x1**
 -  | 5,8 mm | **x2**
 -  | 15/64" | **x2**

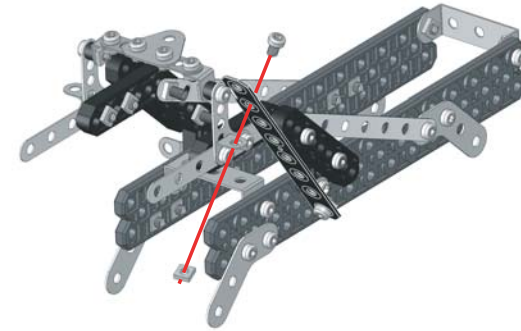
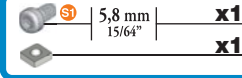
-  **S1** | **1:1**



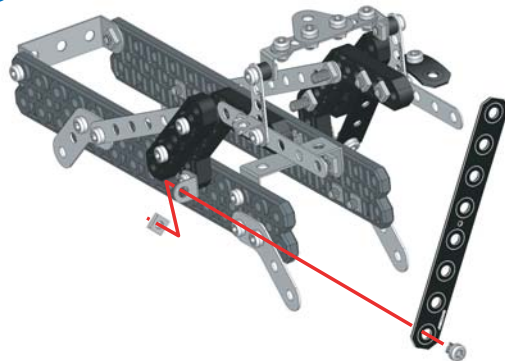
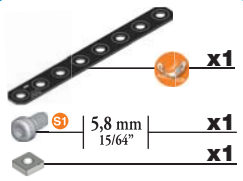
12



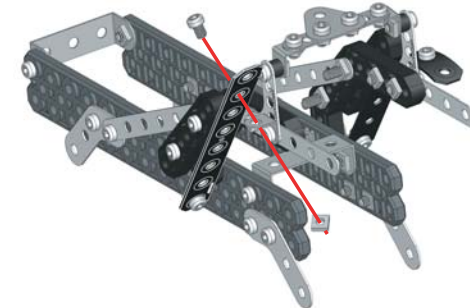
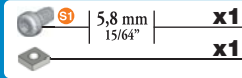
13








14



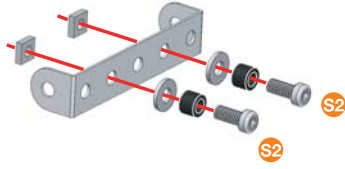
15



16




-  **x1**
-  **x2**
-  **x2**
-  **x1**
-  **x2**




-  **S2**
-  **A338**
-  **1:1**

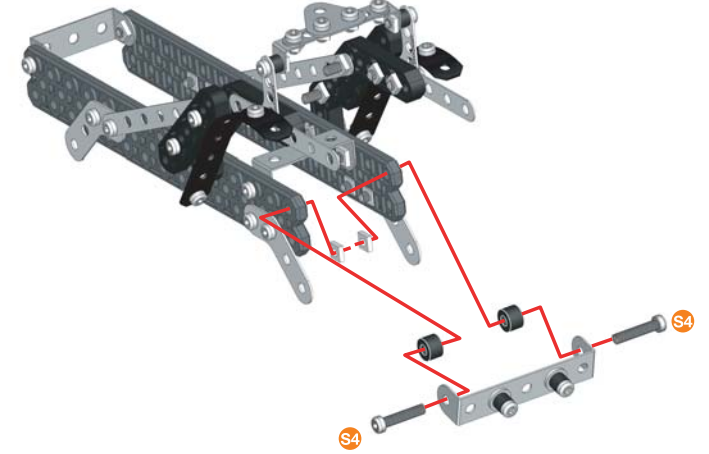


17






15 + 16 +

-  **S4** | **19 mm** | **x2**
3/4"
-  **x2**
-  **x2**

-  **S4**
-  **A238**
-  **1:1**

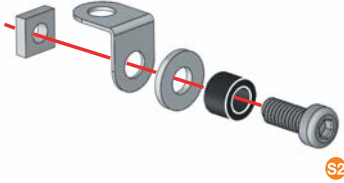


18




-  **x2**
-  **x2**
-  **x2**
-  **x2**
-  **x2**

-  **S2**
-  **A238**
-  **1:1**

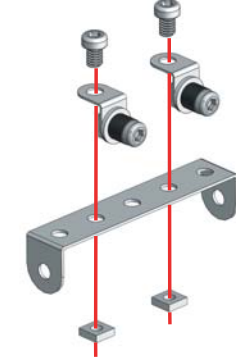
x2





19

-  **x1**
-  **x2**
-  **S1** | **5,8 mm** | **x1**
15/64"

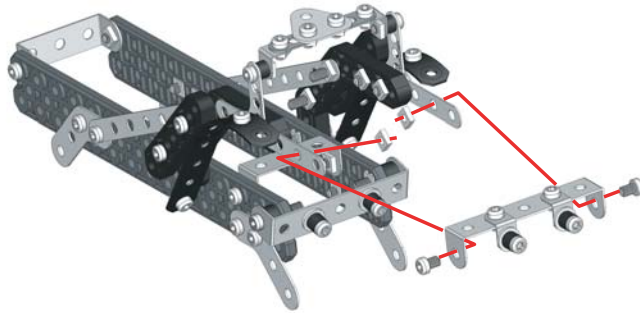
-  **S1**
- 1:1**





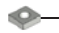


20**17 + 19 +**

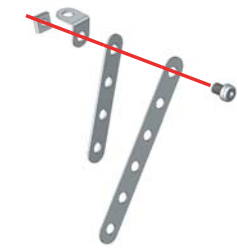
	5,8 mm 15/64"	x2
		x2






	S1	1:1
--	-----------	------------

**21**

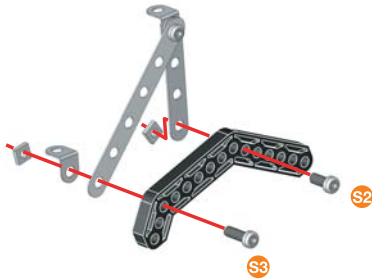
	x1	
	x1	
	x1	
	5,8 mm 15/64"	x1
		x1






	S1	1:1
---	-----------	------------

**22**





	x1	
	12 mm 1/2"	x1
	9,5 mm 3/8"	x1
		x1
		x2

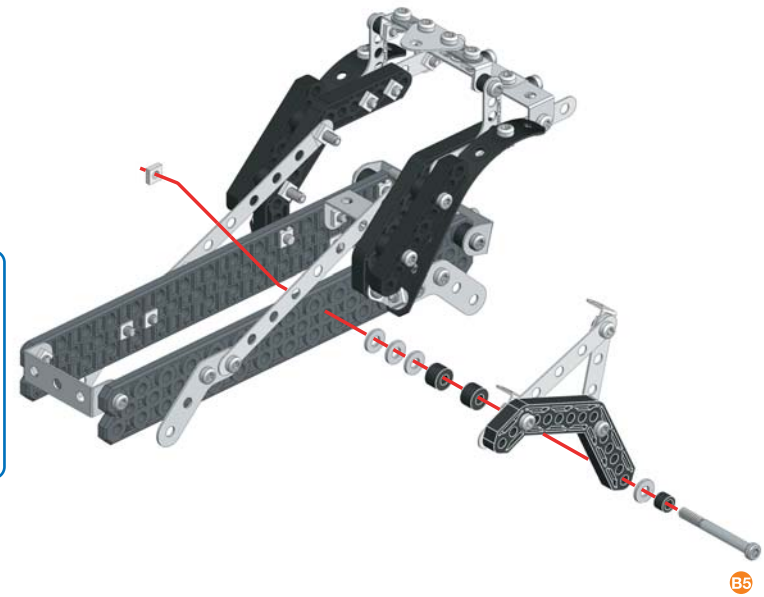
	S1	1:1
	S2	

**23****20 + 22 +**




	38,1 mm 1 1/2"	x1
		x2
		x1
		x1
		x4



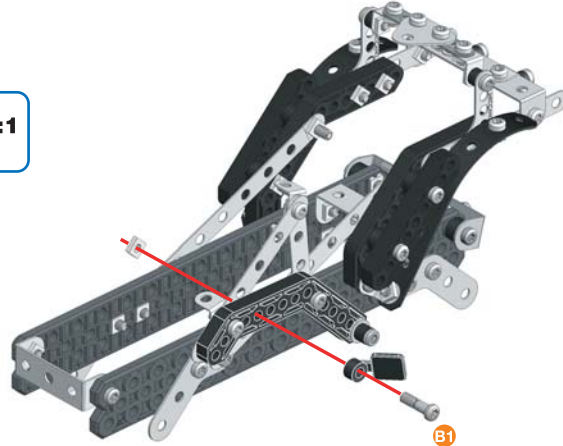
	B5	1:1
	A238	
	A338	
		





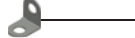


24

-  **x1**
-  **x1**
-  **x1**

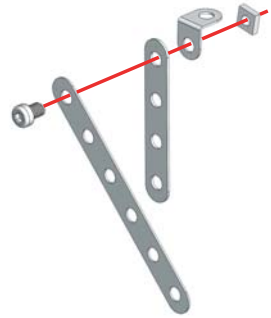
-  **B1** **1:1**








25

-  **x1**
-  **x1**
-  **x1**
-  **x1**
-  **x1**

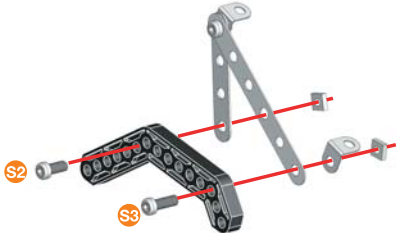
-  **S1** **1:1**



26






-  **x1**
-  **x1**
-  **x1**
-  **x1**
-  **x2**

-  **S3**
-  **S2** **1:1**

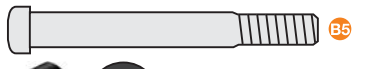




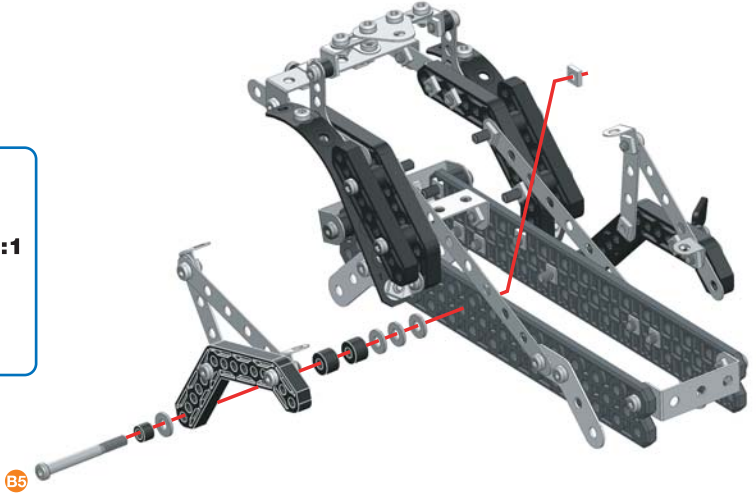
27

(24) + (26) +

-  **B5** **x1**
-  **x2**
-  **x1**
-  **x1**
-  **x4**

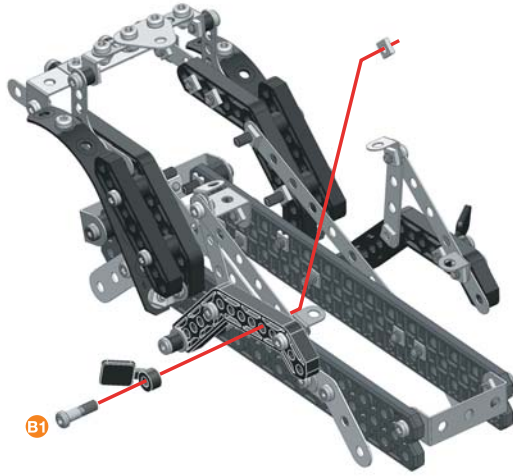


-  **B5** **1:1**
-  **A238**
-  **A338**







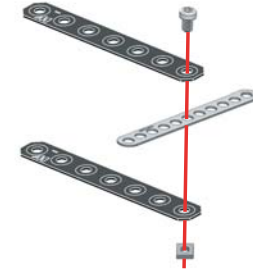
28

-  **x1**
-  **x1**
-  **x1**





29

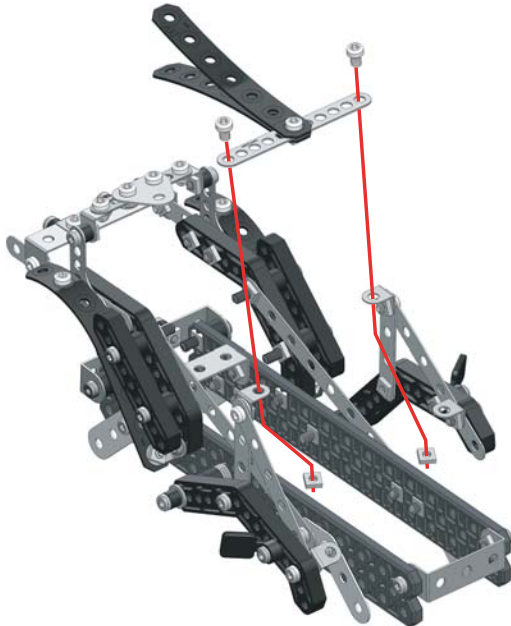
-  **x2**
-  **x1**
-  **x1**
-  **x1**






30

(28) + (29) +

-  **x2**
-  **x2**



31

-  **x1**
-  **x1**
-  **x1**



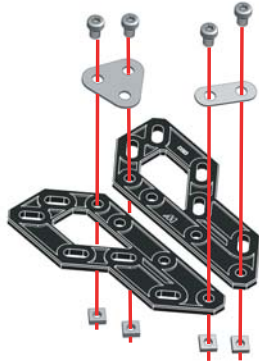
- 
-  **A338**



32

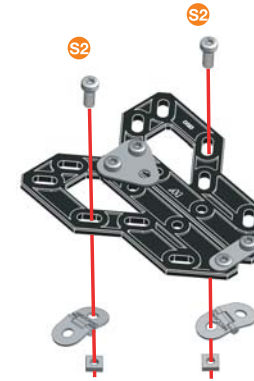
	x2
	x4
	x4
	x1
	x1

	1:1
--	------------

**33**

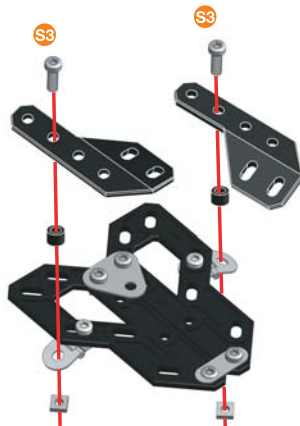
	x2
	x2
	x2

	1:1
--	------------

**34**

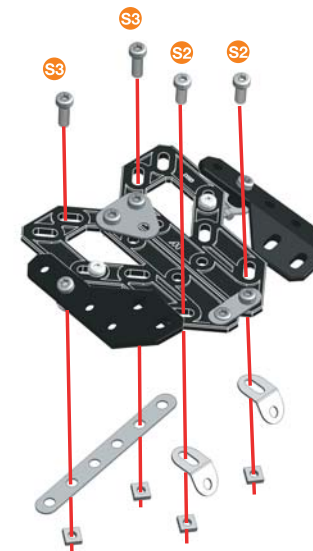
	x1
	x1
	x1
	x2
	x2

	1:1
	A338

**35**



	x1
	x2
	x2
	x2
	x4

	1:1

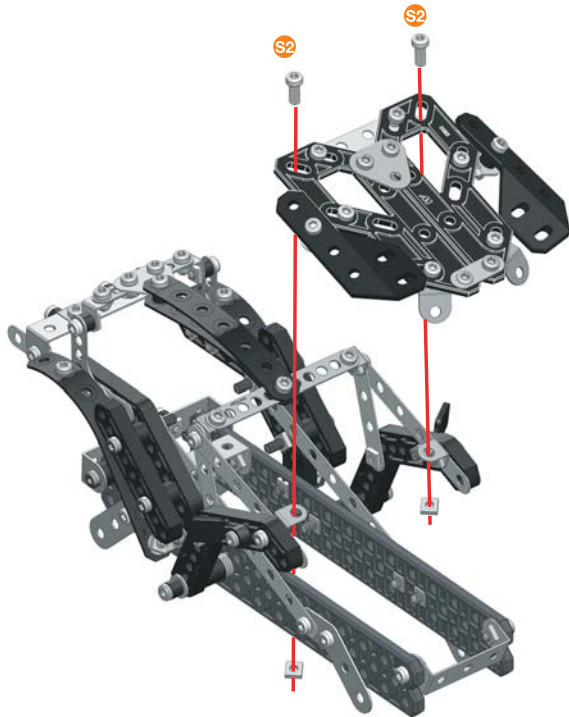






36

31 + 35 +

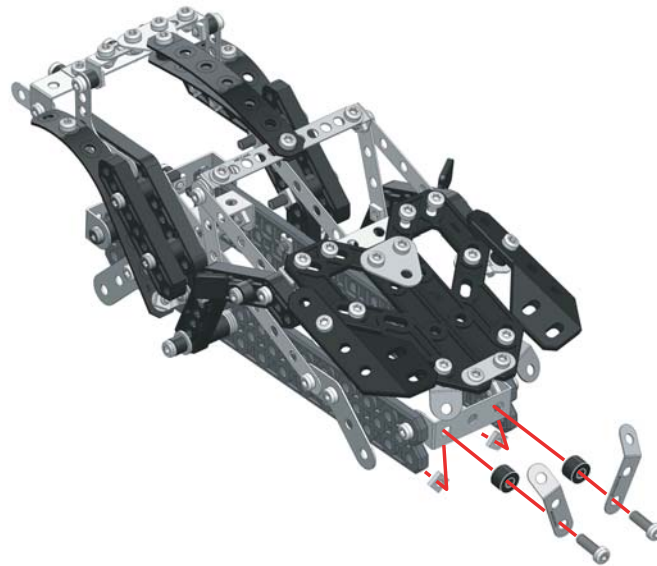
	9,5 mm 3/8"	x2
		x2



	S2	1:1
--	-----------	------------

**37**

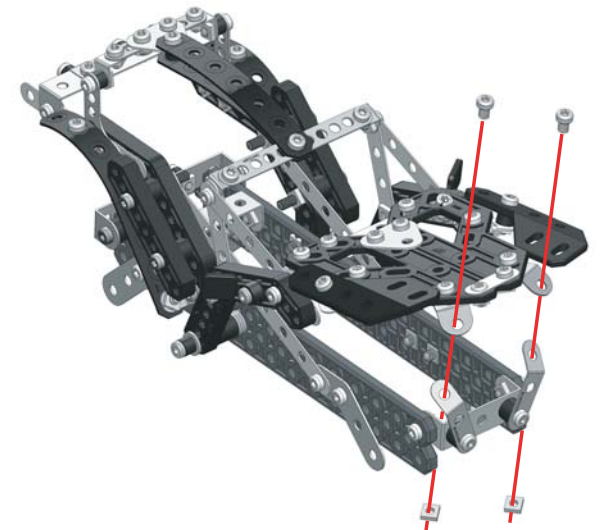
		x2
	12 mm 1/2"	x2
		x2
		x2

	S3	1:1
	A238	

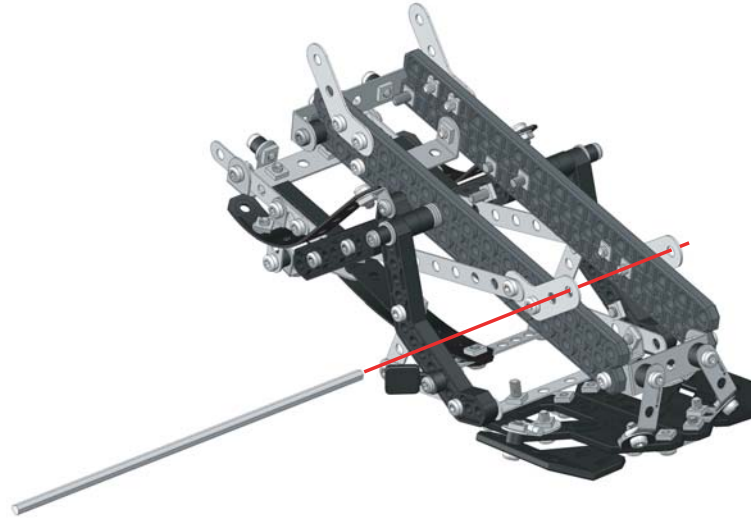
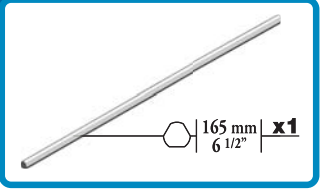
**38**

	5,8 mm 15/64"	x2
		x2

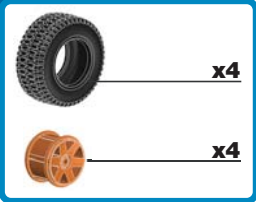
	S1	1:1
---	-----------	------------



39



40



x4

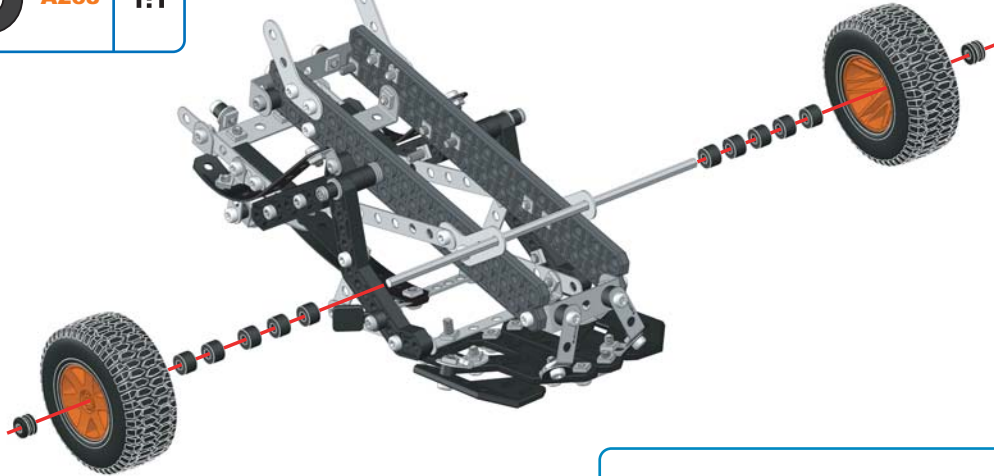


41

(39) + (40) +

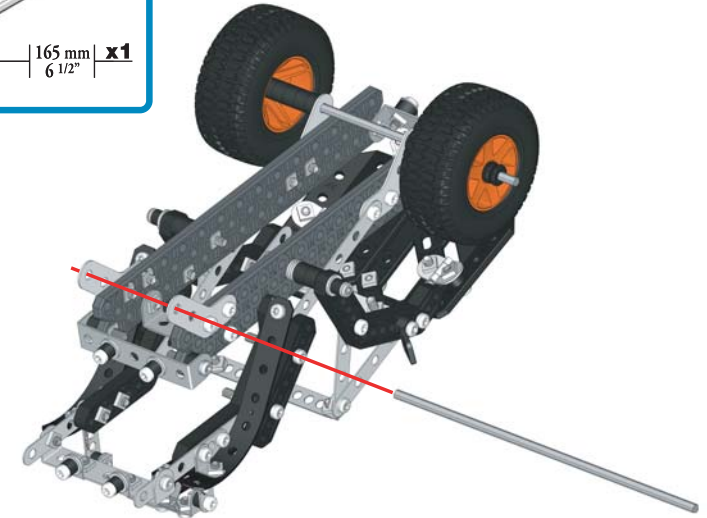
- x2
- x10

- A238 1:1



42

- 165 mm | 6 1/2" x1



1:1

43

- x2
- x10

- A238 1:1

