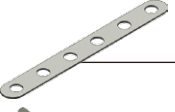


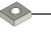

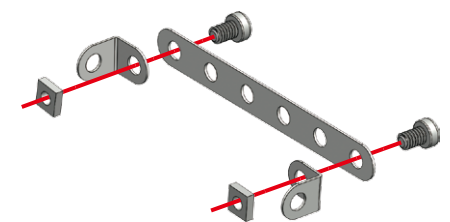
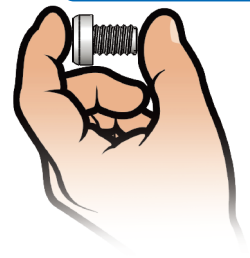
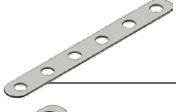




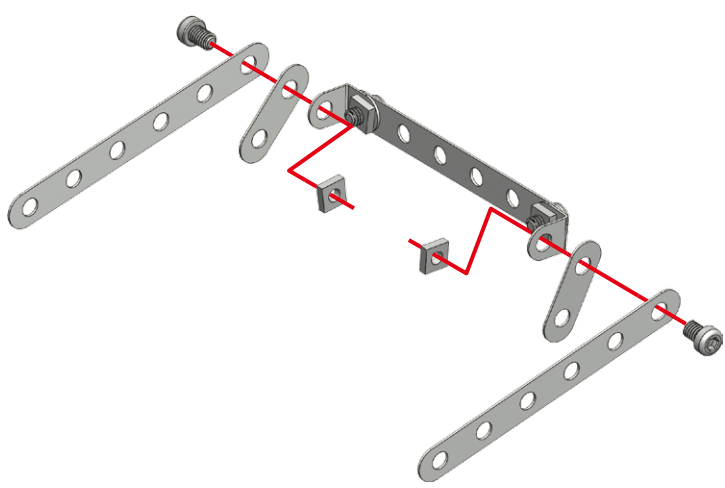


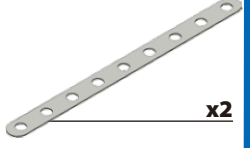





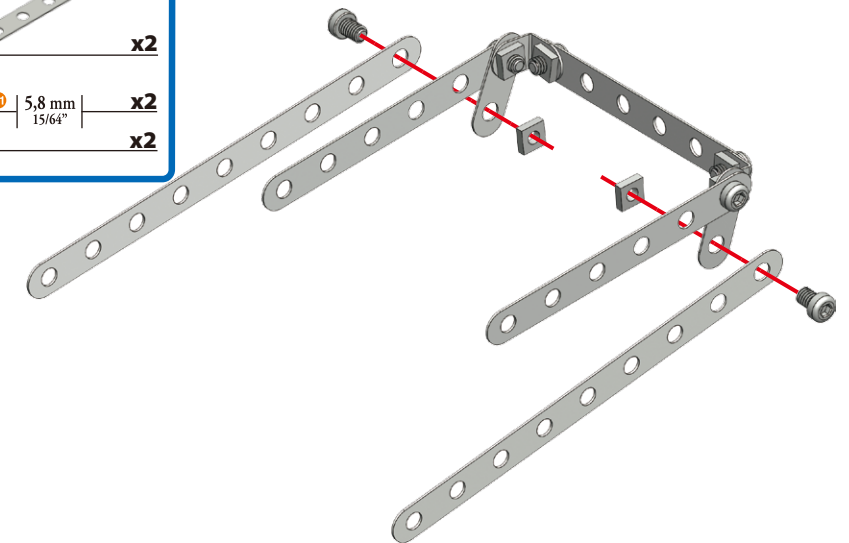
- 1**
-  **x1**
  -  **x2**
  -  **5,8 mm** | **x2**  
15/64"
  -  **x2**
  -  **1:1**






- 2**
-  **x2**
  -  **x2**
  -  **5,8 mm** | **x2**  
15/64"
  -  **x2**
  -  **1:1**



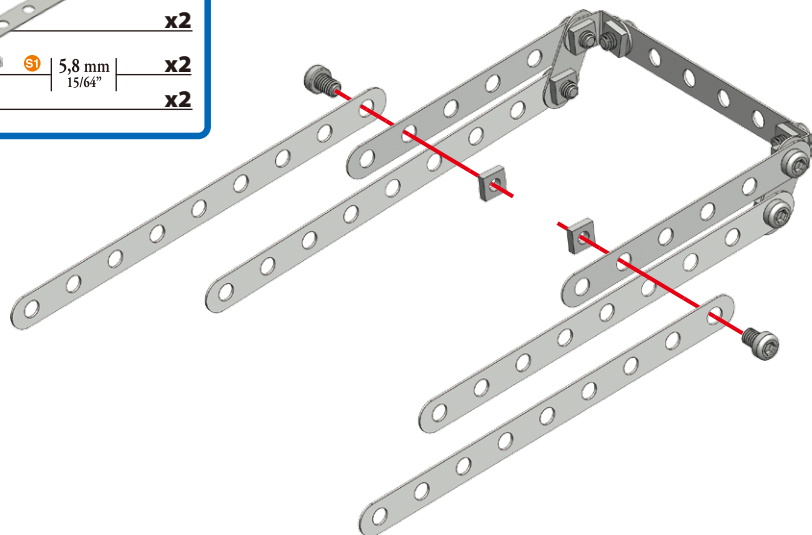
- 3**
-  **x2**
  -  **5,8 mm** | **x2**  
15/64"
  -  **x2**
  -  **1:1**




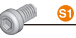

4

-  x2
-  S1 | 5,8 mm | 15/64" x2
-  x2

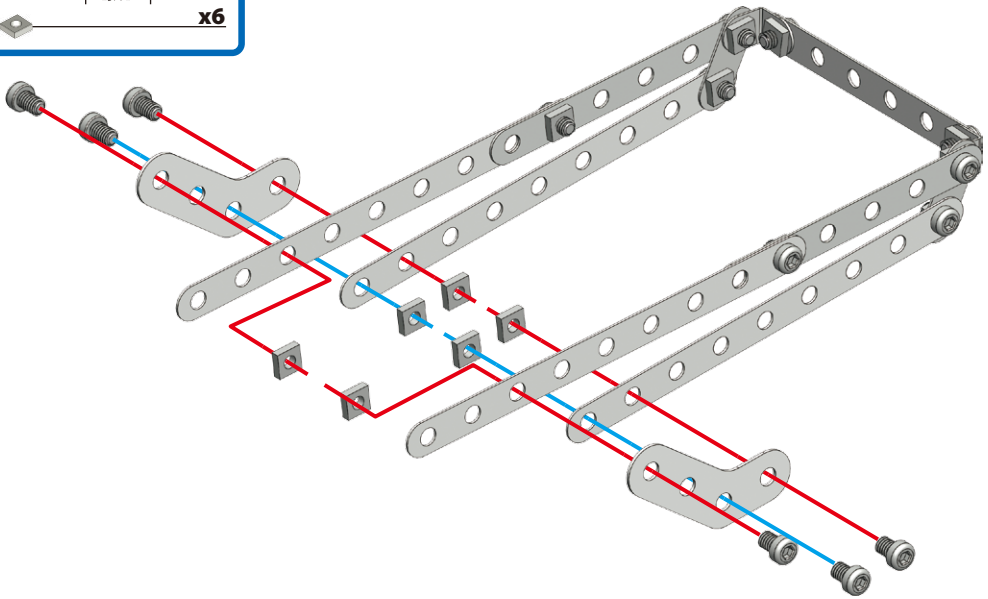
-  S1 | 1:1



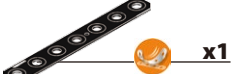



5

-  x2
-  S1 | 5,8 mm | 15/64" x6
-  x6

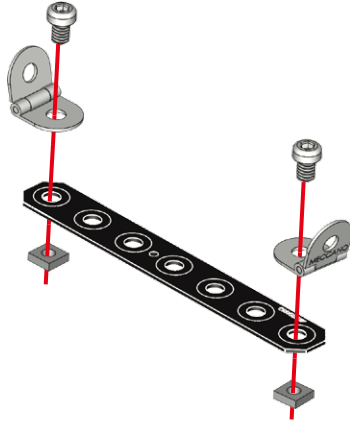
-  S1 | 1:1




6

-  x1
-  x2
-  S1 | 5,8 mm | 15/64" x2
-  x2

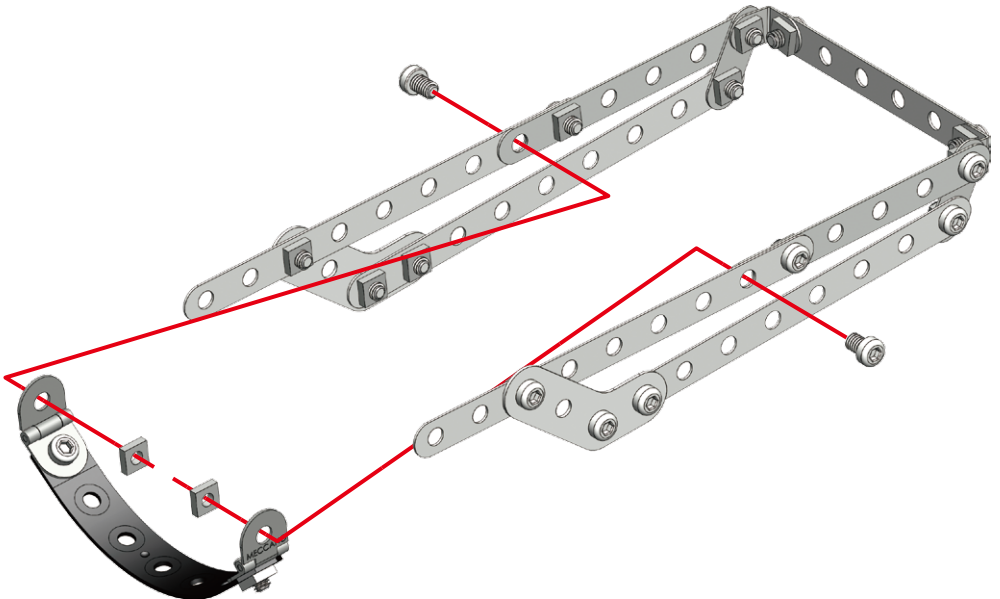
-  S1 | 1:1



7

-  S1 | 5,8 mm | 15/64" x2
-  x2

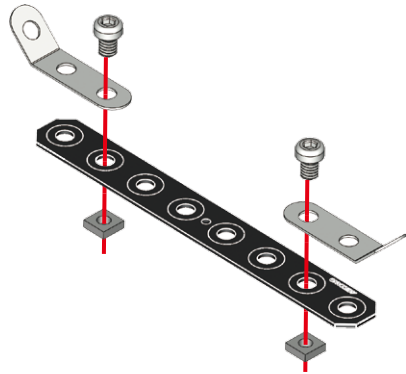
-  S1 | 1:1



**8**

	x1
	x2
	x2
	x2

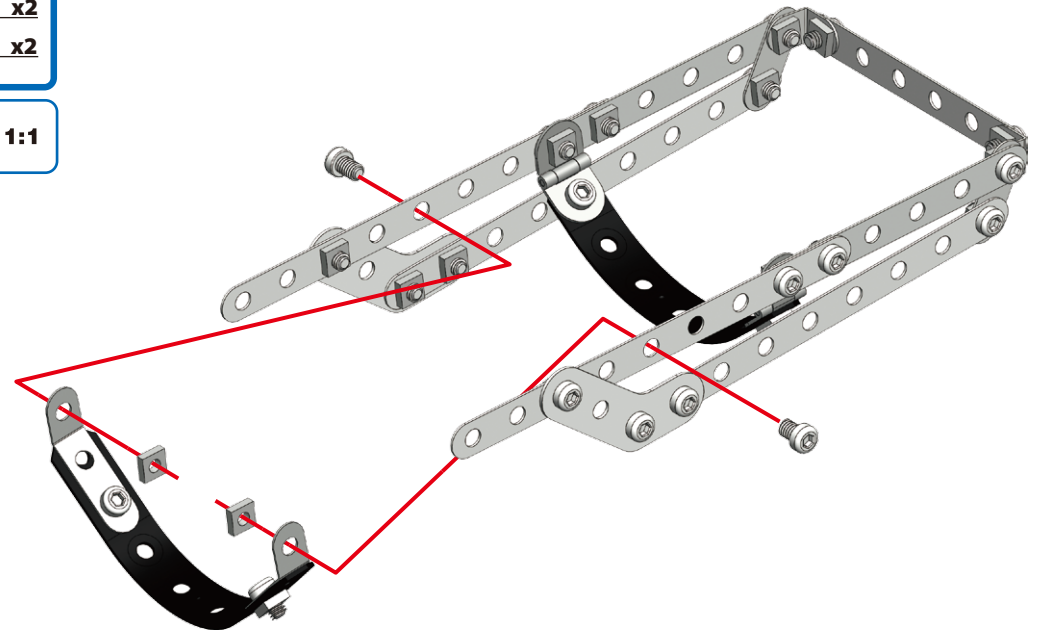
	1:1
--	-----



**9** (7) + (8) +

	x2
	x2

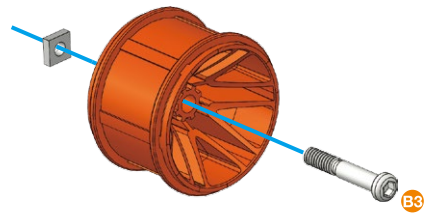
	1:1
--	-----



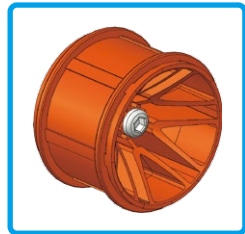
**10**

	x2
	x2
	x2

	1:1
--	-----



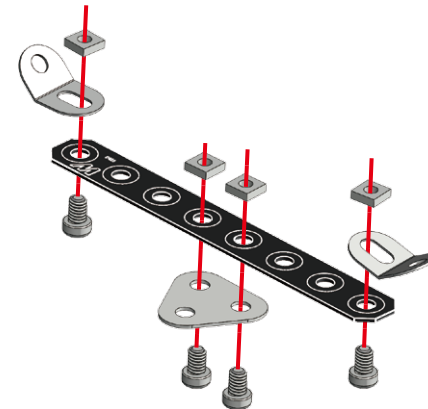
x2



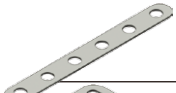
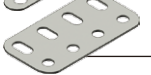

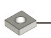

**11**

	x1
	x2
	x4
	x4
	x1

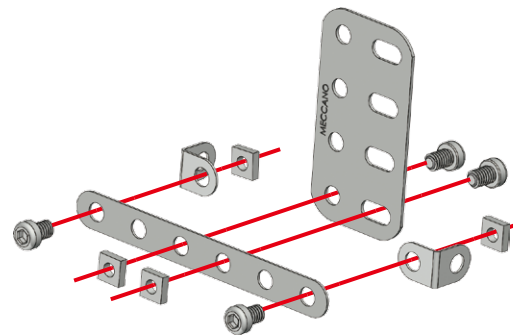
	1:1
--	-----



12



	x1
	x1
 5,8 mm 15/64"	x4
	x4
	x2

	S1	1:1
---	----	-----



13

9 + 10 + 11 + 12 +

	x6
	x2

