

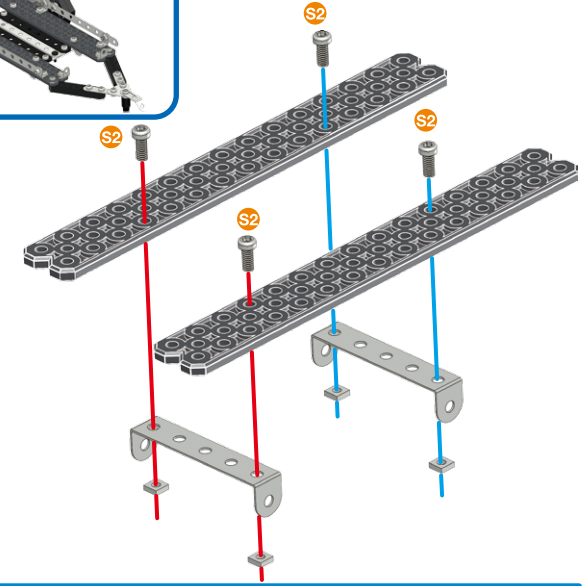
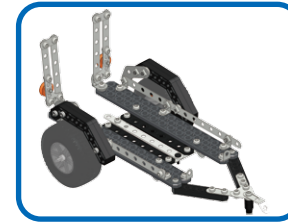
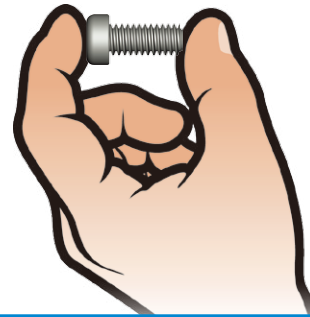

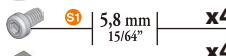
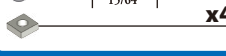




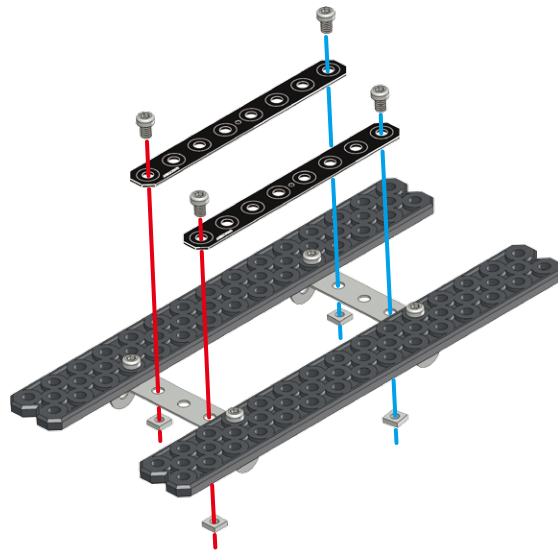
- 1**
-  x2
 -  x2
 -  9,5 mm | 3/8" x4
 -  x4



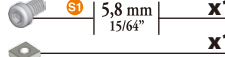

-  S2 1:1



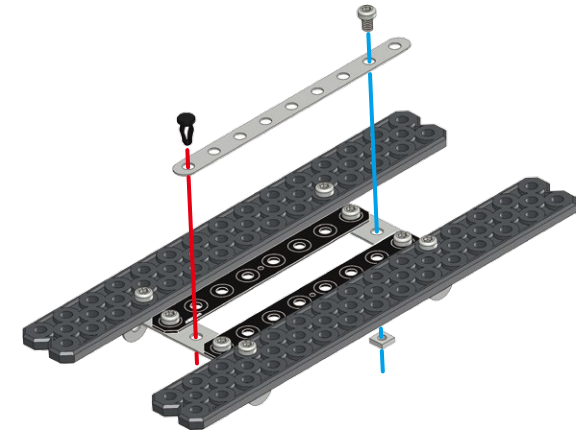
- 2**
-  x2
 -  5,8 mm | 15/64" x4
 -  x4

-  S1 1:1






- 3**
-  x1
 -  11,25 mm | 6/16" x1
 -  5,8 mm | 15/64" x1
 -  x1

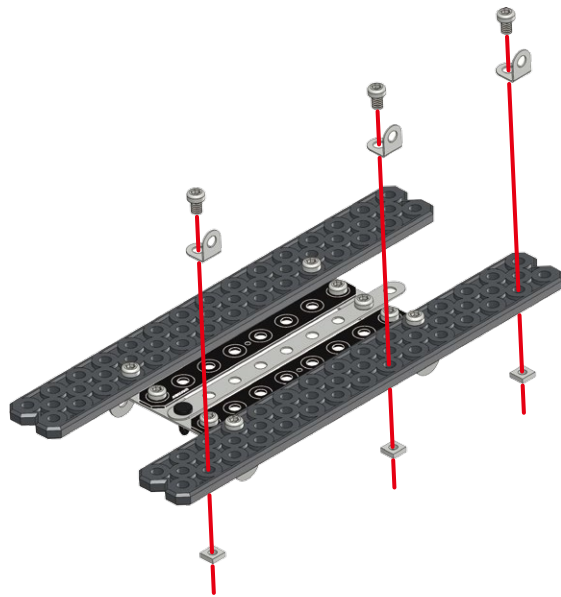
-  S1 1:1






4

	5,8 mm 15/64"	x3
		x3
		x3

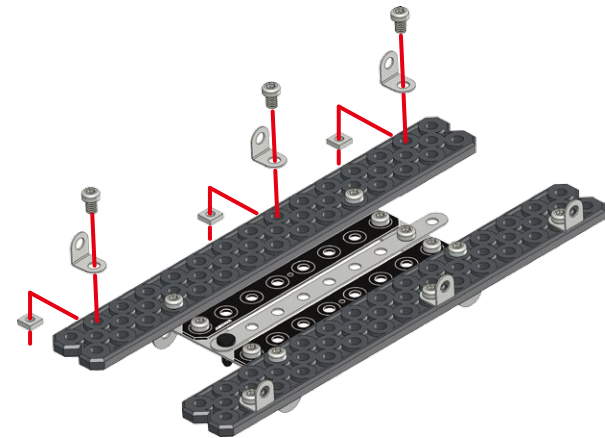
	S1	1:1
---	----	-----



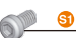


5

	5,8 mm 15/64"	x3
		x3
		x3

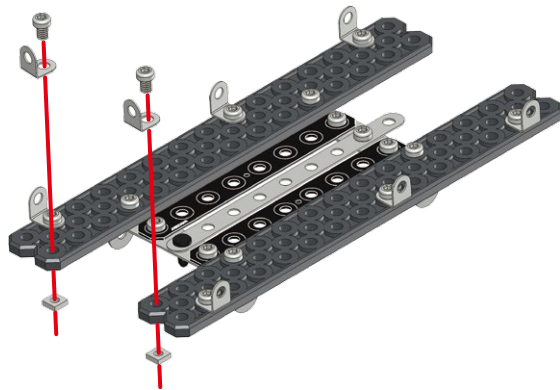
	S1	1:1
---	----	-----



6

	5,8 mm 15/64"	x2
		x2
		x2

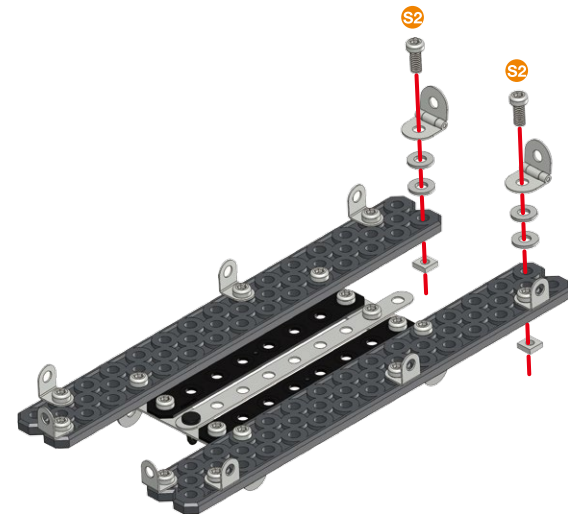
	S1	1:1
---	----	-----






7


	9,5 mm 3/8"	x2
		x2
		x4
		x2

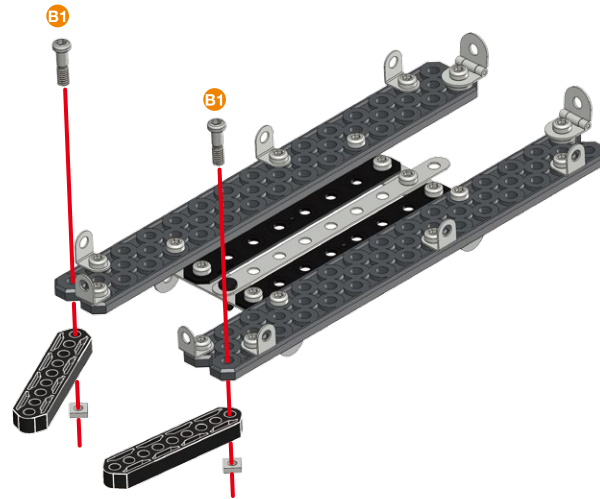
	S2	1:1
---	----	-----






8

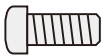
	x2
 14,7 mm 37/64"	x2
	x2

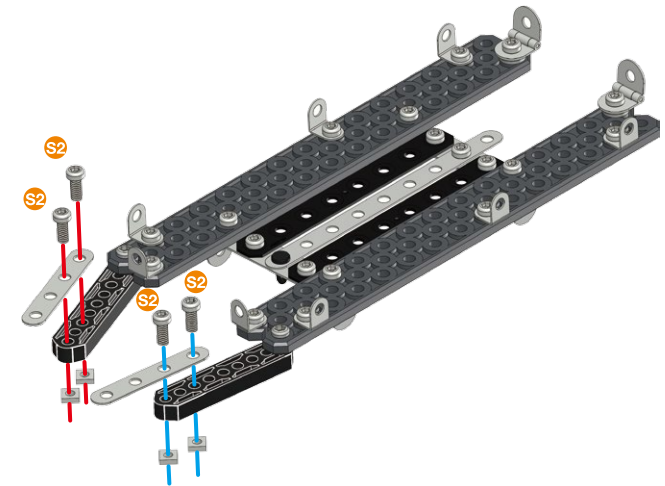
	B1	1:1
---	-----------	------------






9

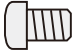
	x2
 9,5 mm 3/8"	x4
	x4

	S2	1:1
---	-----------	------------








10




 5,8 mm 15/64"	x2
	x2
	x1

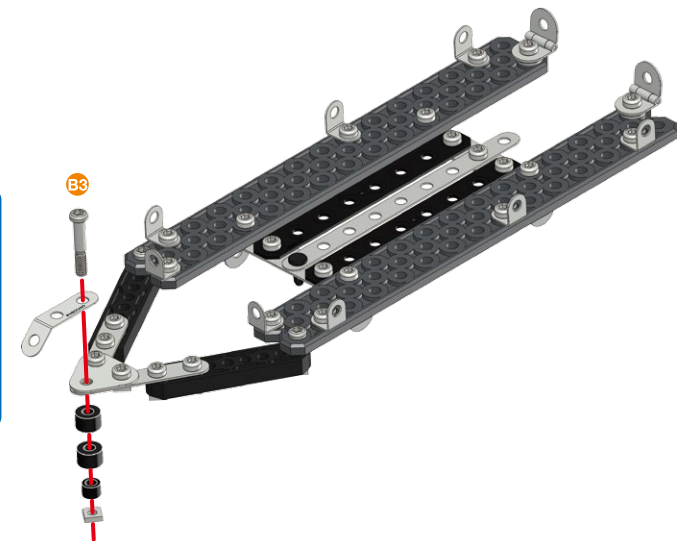
	S1	1:1
---	-----------	------------








11

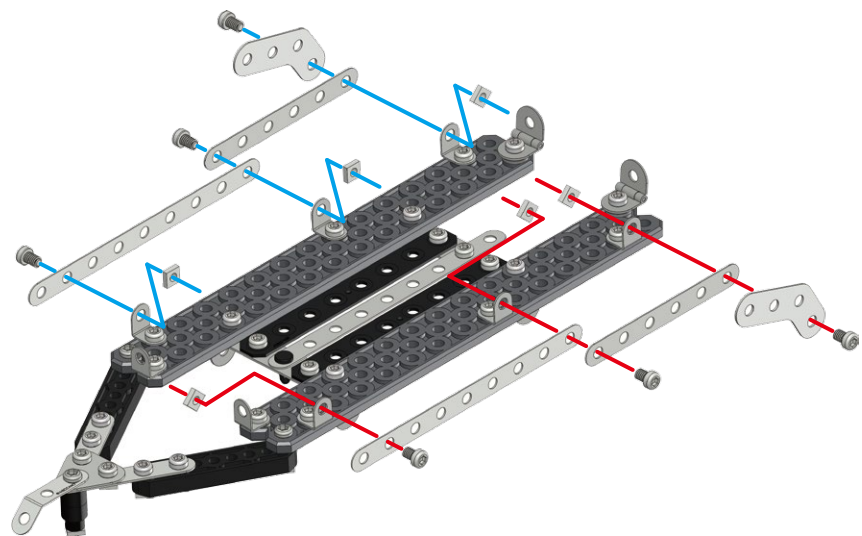
 23 mm 15/16"	x1
	x1
	x2
	x1
	x1

	B3	1:1
	A238	1:1
	A338	1:1







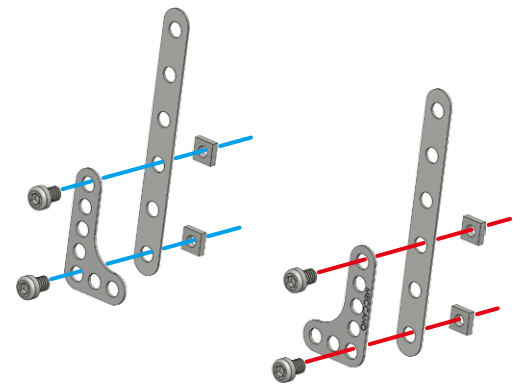
12

-  x2
-  x2
-  x2
-  S1 | 5,8 mm | 15/64" x6
-  x6



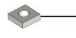



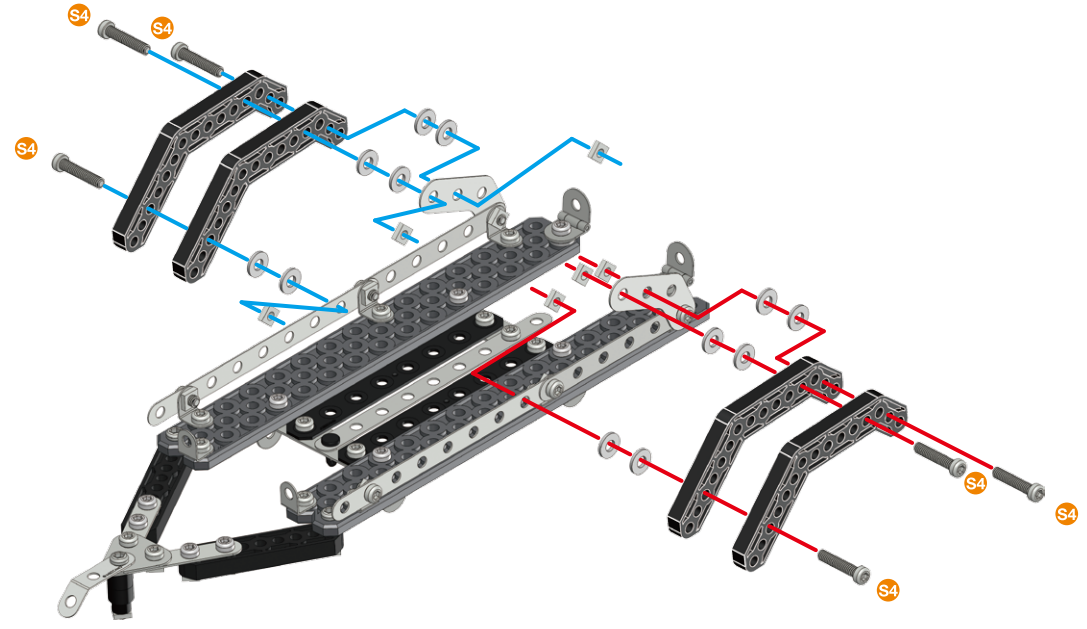
14

-  x2
-  x2
-  S1 | 5,8 mm | 15/64" x4
-  x4



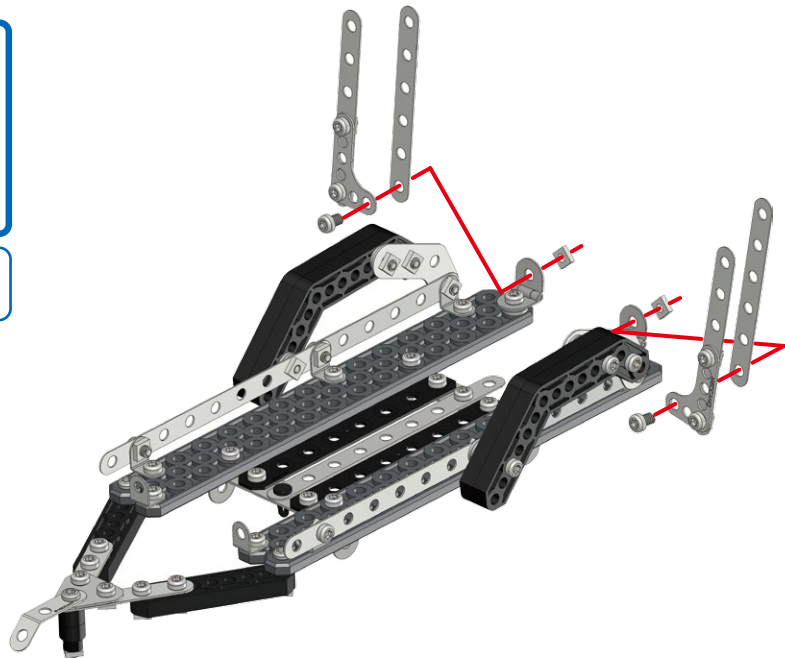
13

-  x4
-  S4 | 19 mm | 3/4" x6
-  x6
-  12



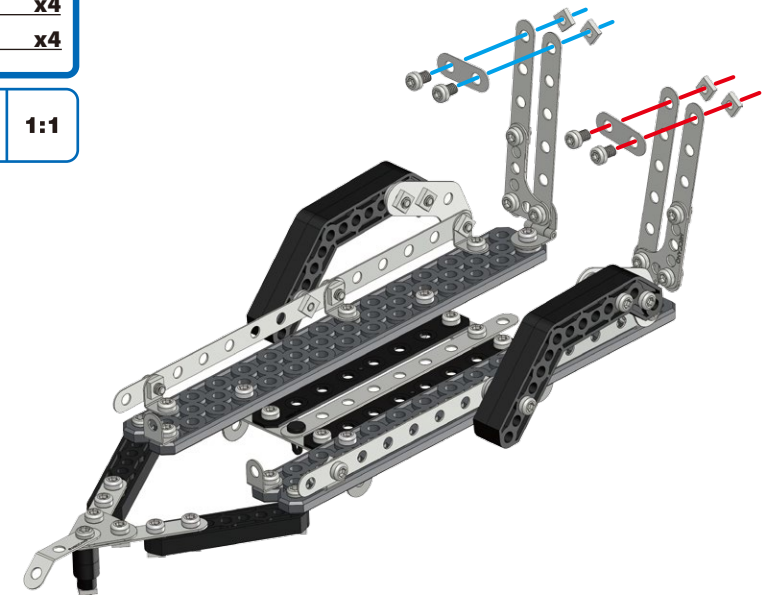
15 (13)+(14)+

	x2
	x2
	x2
	1:1



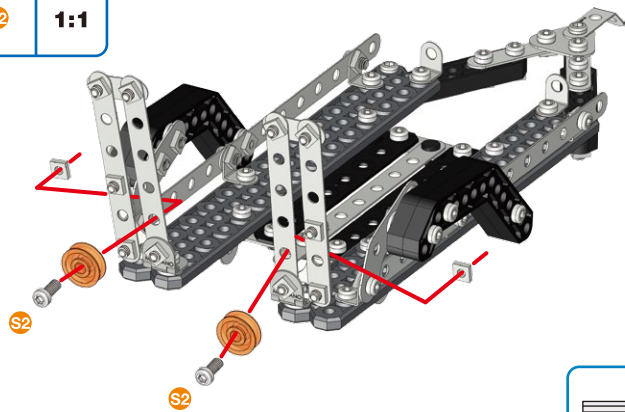
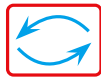
16

	x2
	x4
	x4
	1:1



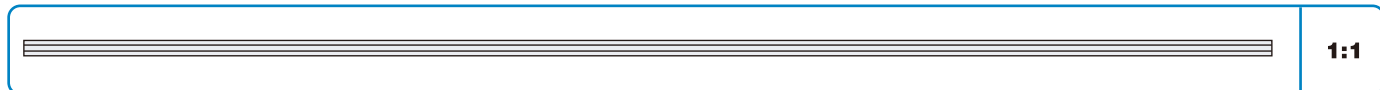
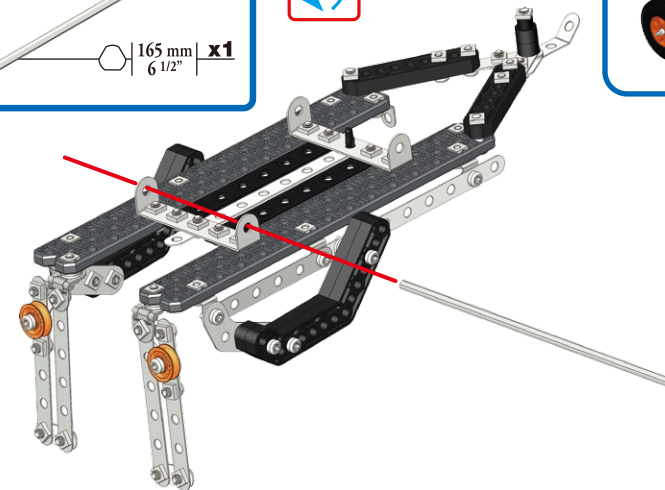
17

	x2
	x2
	x2
	1:1



18

	x1
--	-----------



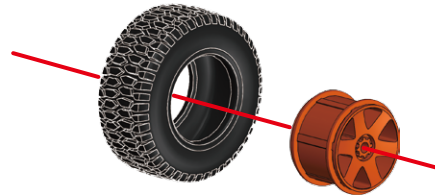
19



x2



x2



x2



20

18+ 19+



x10



x2



A238

1:1

