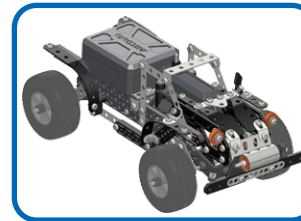
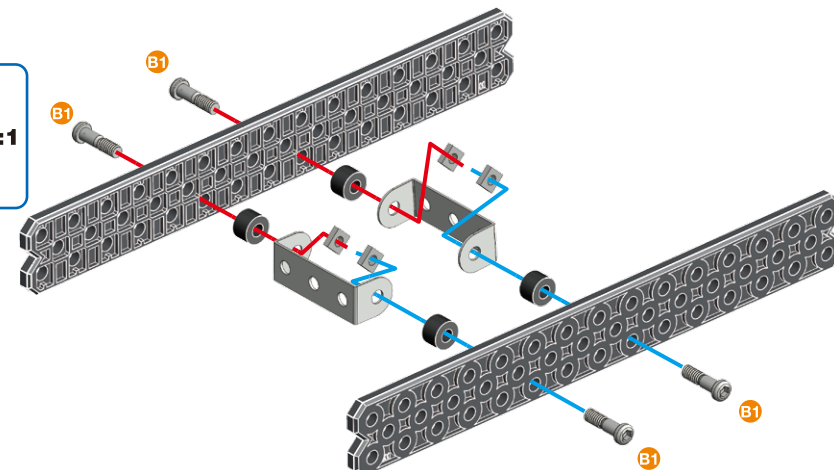
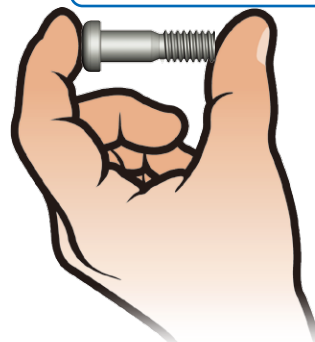




- 1**
- x2
  - x2
  - x4
  - x4
  - x4

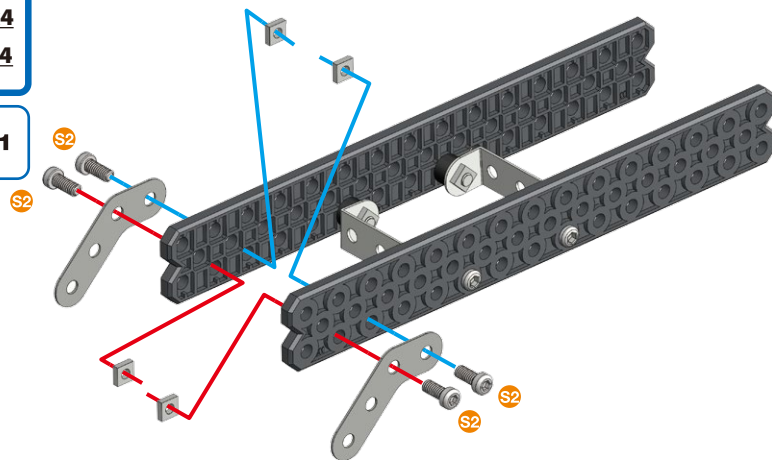


- B1
  - A238
- 1:1**



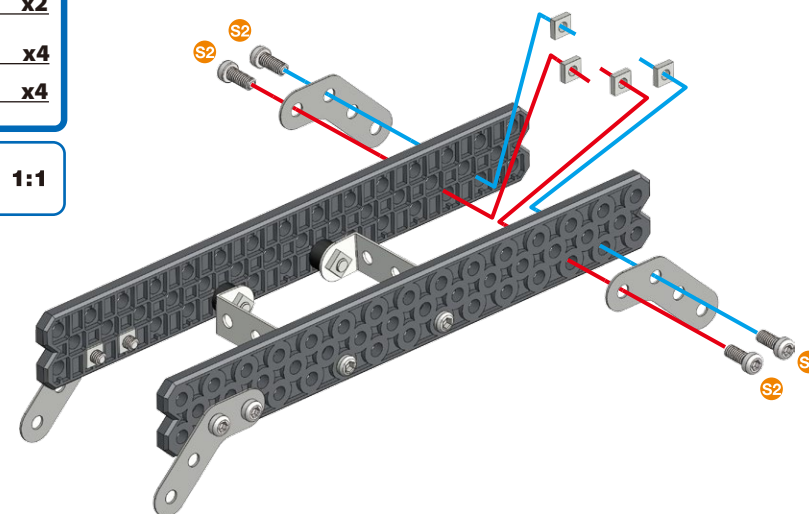
- 2**
- x2
  - x4
  - x4

- S2
- 1:1**



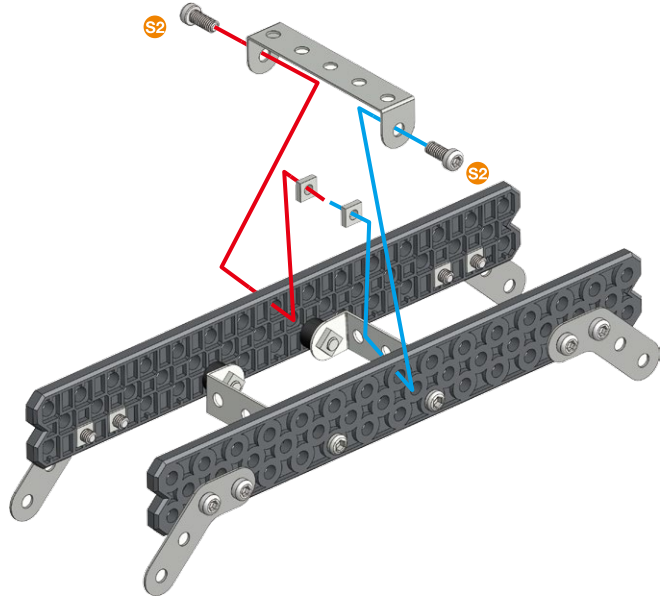
- 3**
- x2
  - x4
  - x4

- S2
- 1:1**



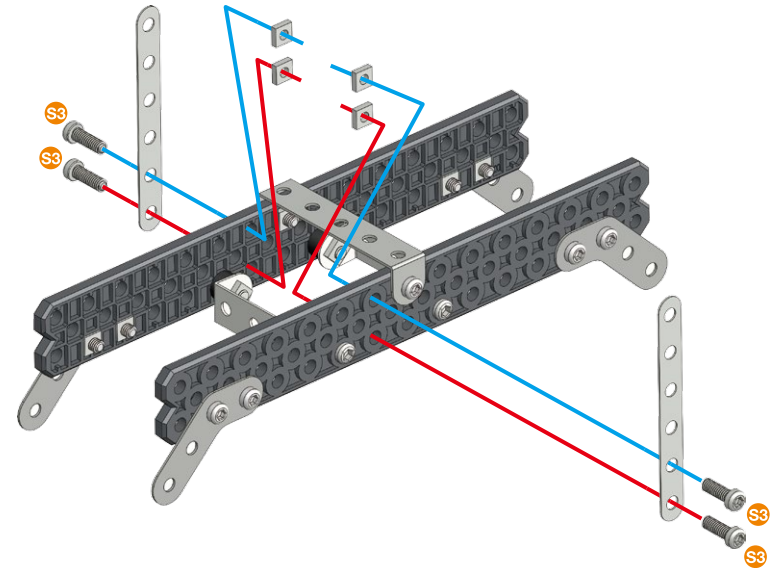
**4**

	x1
	x2
	x2
	1:1



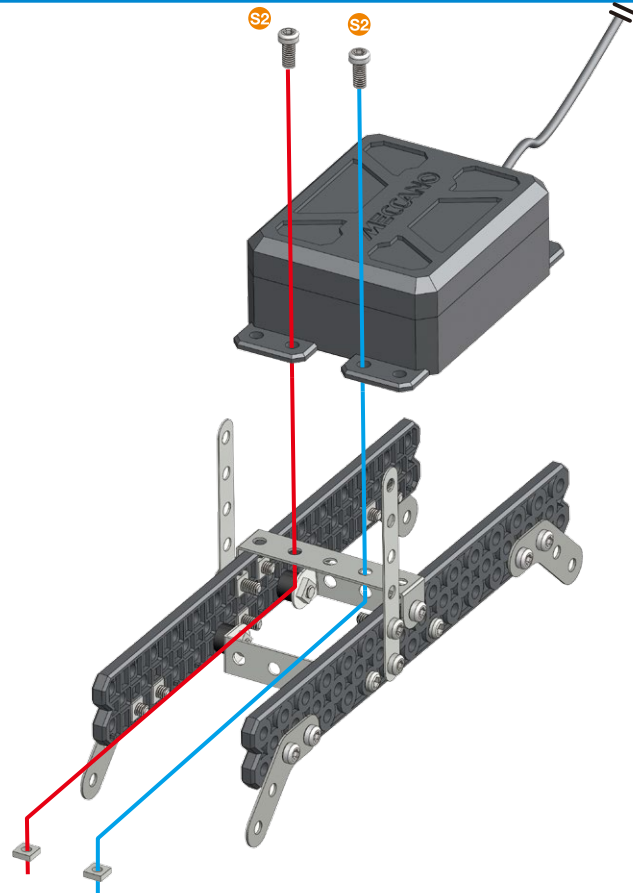
**5**

	x2
	x4
	x4
	1:1



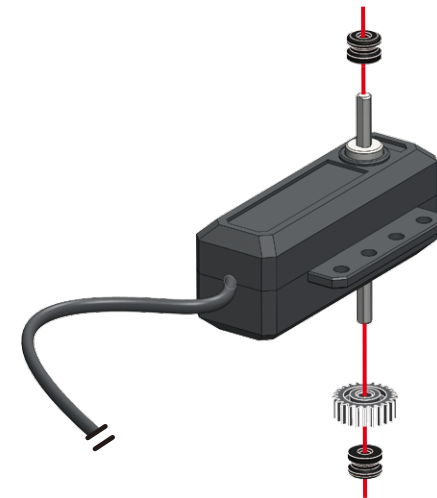
**6**





	x2
	x2
	x1
	1:1





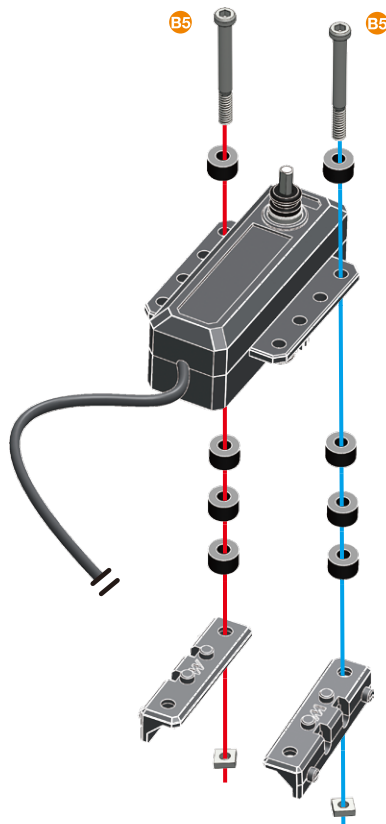
**7**





	x1
	x1
	x2





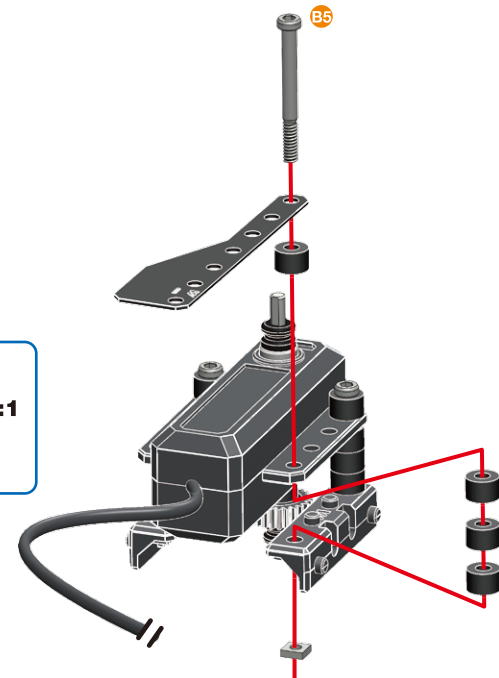
- 8**
-  x2
  -  | 38,1 mm | 1 1/2" | x2
  -  x2
  -  x8





-  | B5 | 1:1
-  | A238 | 1:1





- 9**
-  x1
  -  | 38,1 mm | 1 1/2" | x1
  -  x1
  -  x4

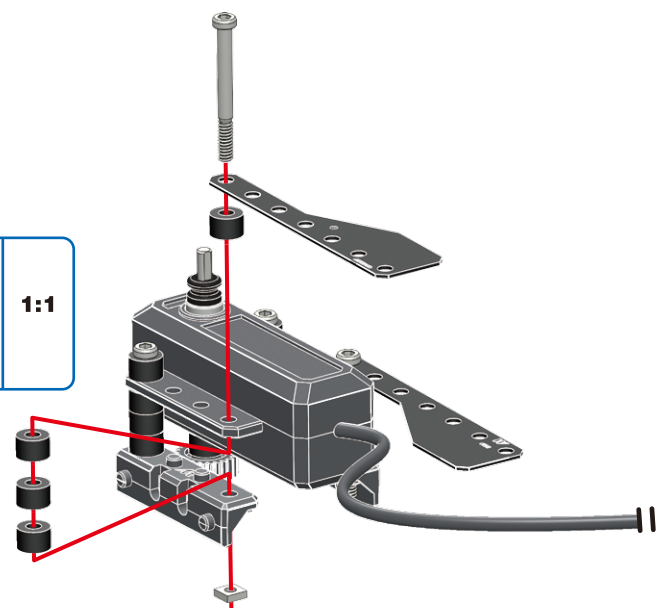
-  | B5 | 1:1
-  | A238 | 1:1






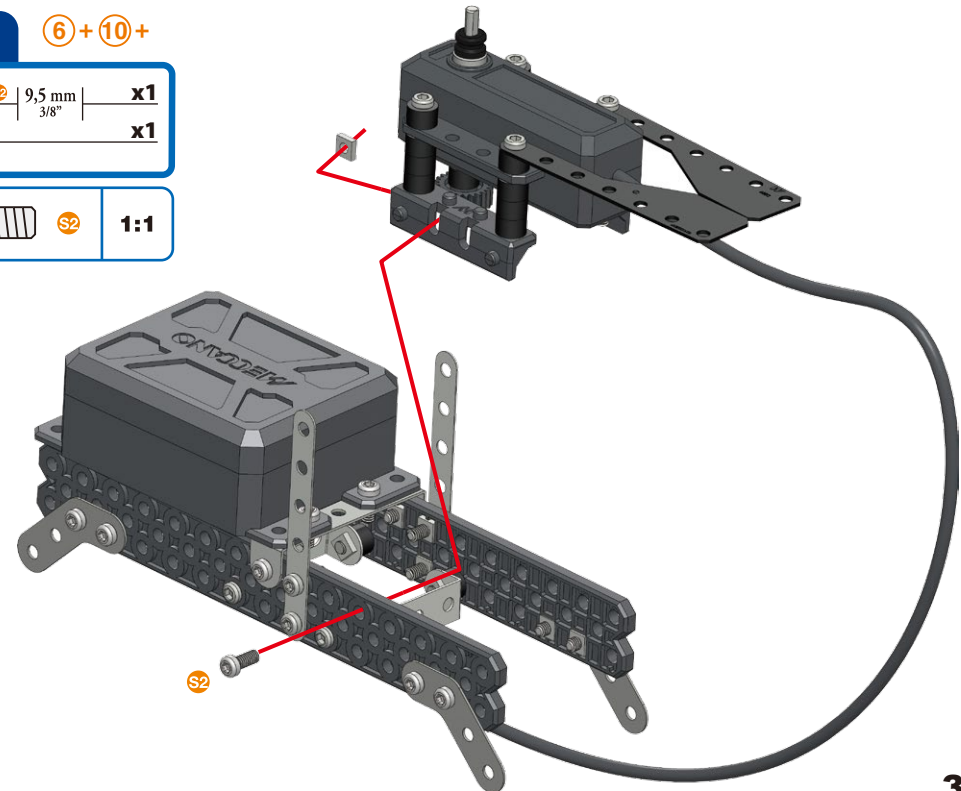
- 10**
-  x1
  -  | 38,1 mm | 1 1/2" | x1
  -  x1
  -  x4



-  | B5 | 1:1
-  | A238 | 1:1



- 11** ⑥ + ⑩ +
-  | 9,5 mm | 3/8" | x1
  -  x1
-  | S2 | 1:1

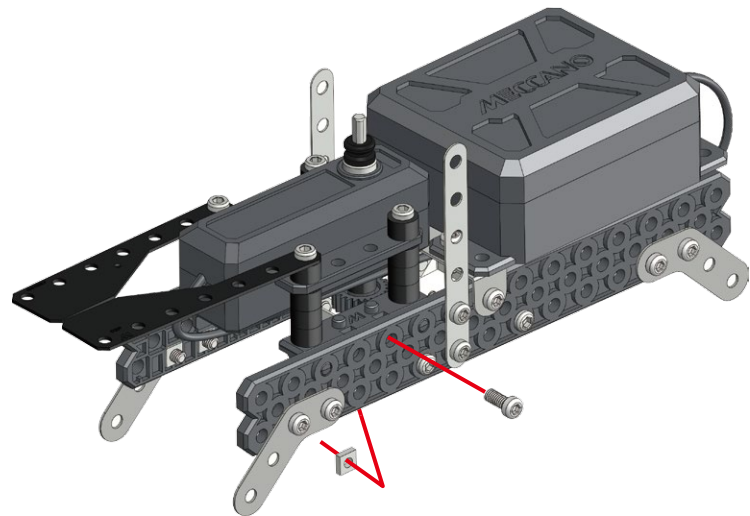


12

- 9,5 mm | 3/8" | x1
- x1



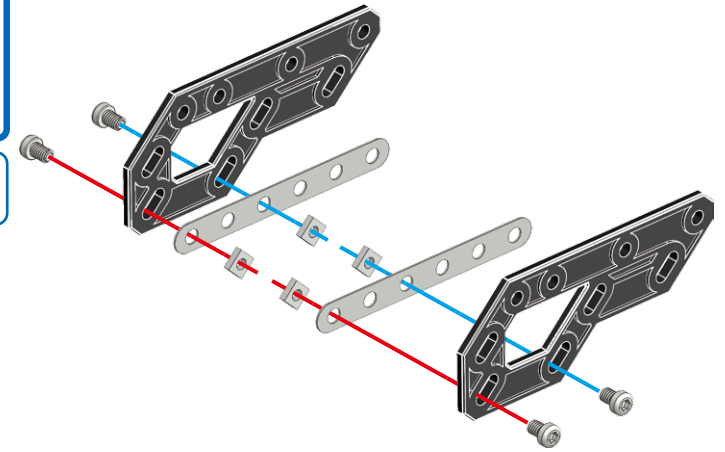
- S2 | 1:1



13

- x2
- x2
- 5,8 mm | 15/64" | x4
- x4

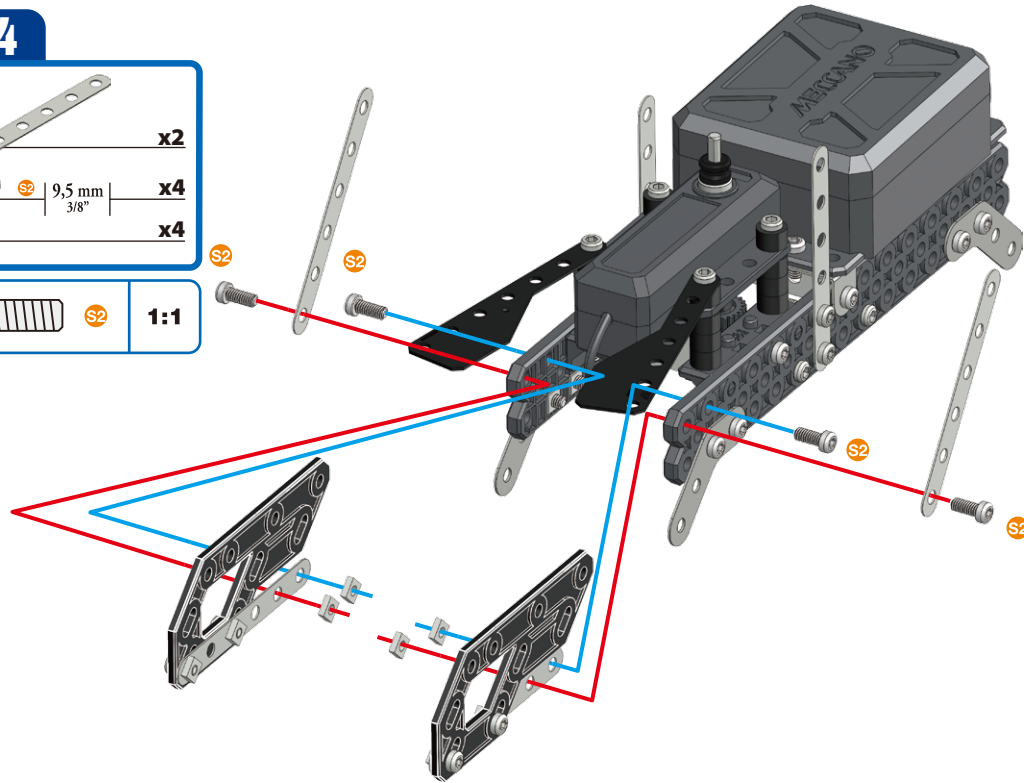
- S1 | 1:1



14

- x2
- 9,5 mm | 3/8" | x4
- x4

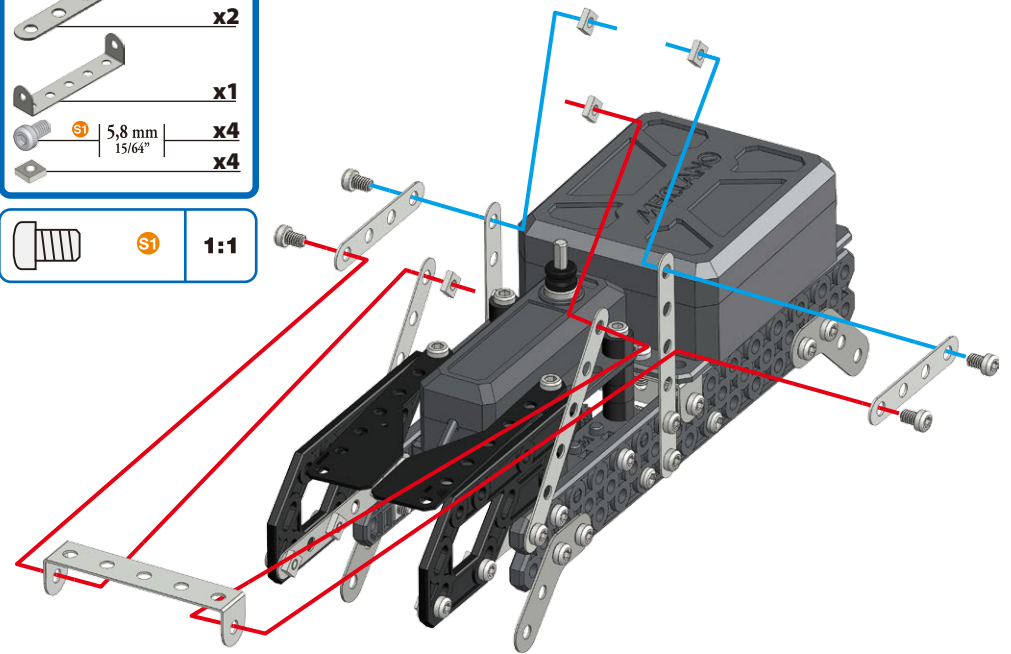
- S2 | 1:1






15

- x2
- x1
- 5,8 mm | 15/64" | x4
- x4

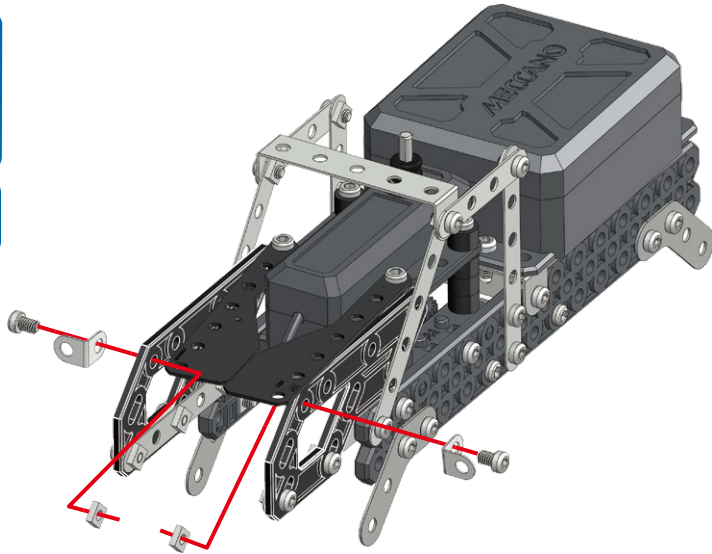
- S1 | 1:1




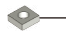

16

-  5,8 mm | 15/64" | x2
-  x2
-  x2

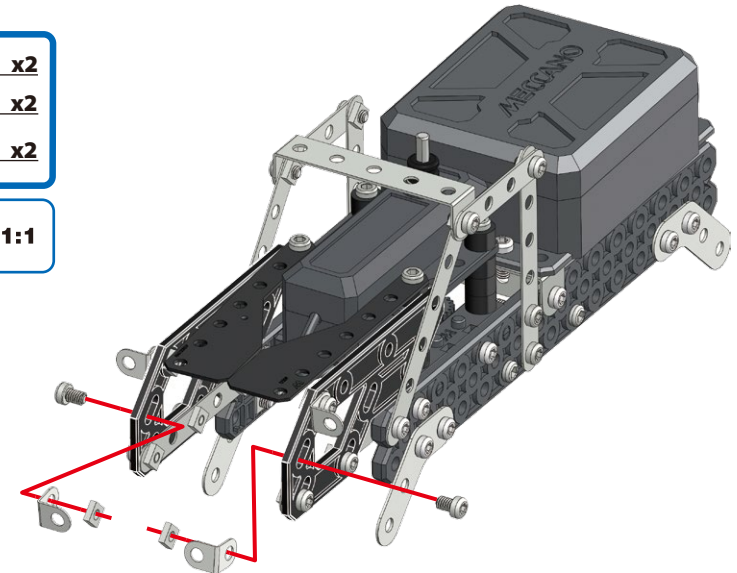
-  1:1







17

-  5,8 mm | 15/64" | x2
-  x2
-  x2

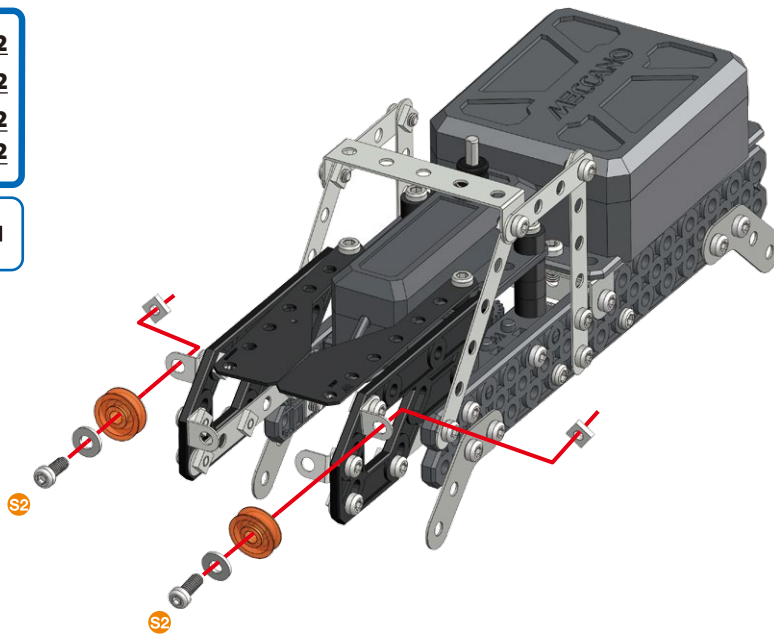
-  1:1




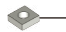

18

-  x2
-  9,5 mm | 3/8" | x2
-  x2
-  x2

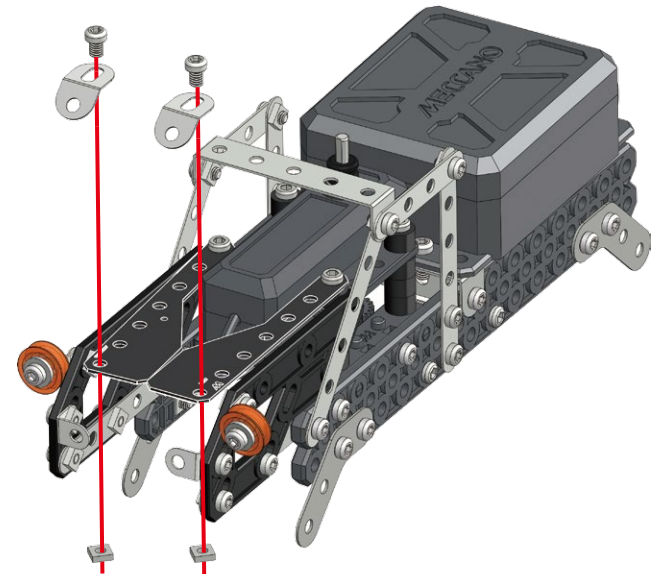
-  1:1





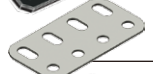


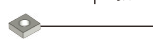
19

-  5,8 mm | 15/64" | x2
-  x2
-  x2

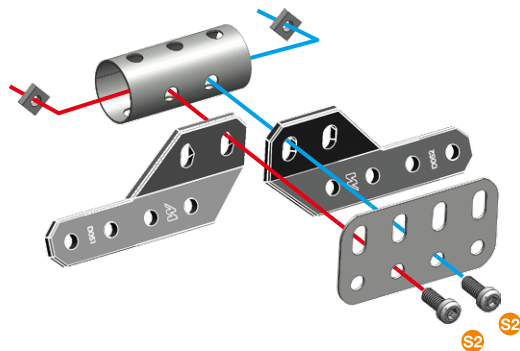
-  1:1





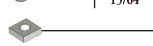
20

-  x1
-  x1
-  x1
-  x1
-  9,5 mm | 3/8" x2
-  x2

-  1:1

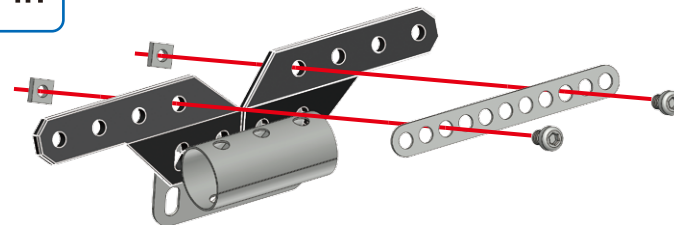


21

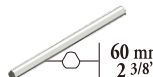

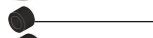


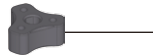
-  x1
-  5,8 mm | 15/64" x2
-  x2





-  1:1

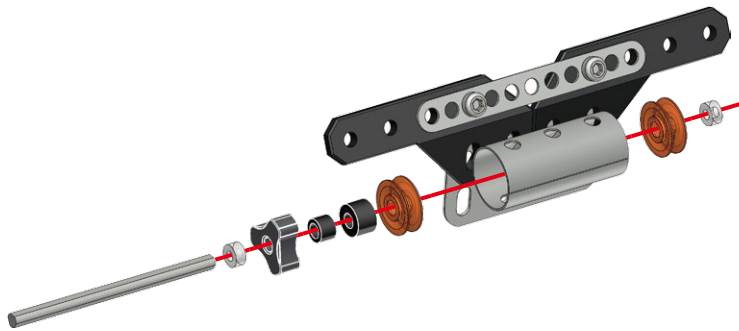


22

-  60 mm | 2 3/8" x1
-  x1
-  x1
-  x1
-  x2
-  x1

-  **A238**
-  **A338**

1:1



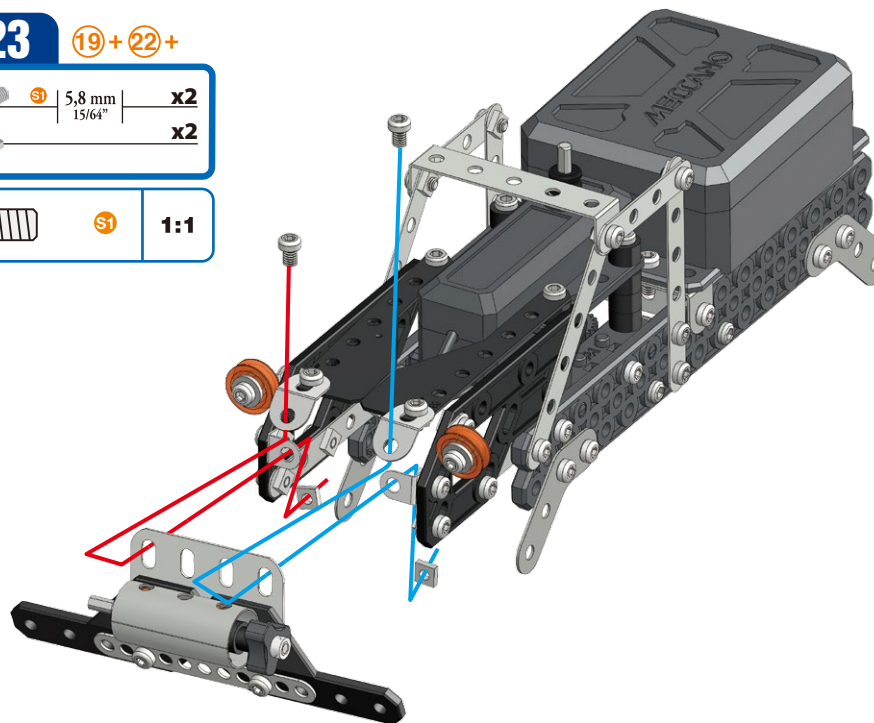
1:1

23





19 + 22 +

-  5,8 mm | 15/64" x2
-  x2

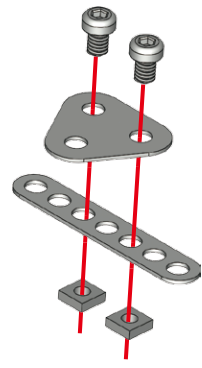
-  1:1



24

-  x1
-  5,8 mm | 15/64" x2
-  x2
-  x1

-  1:1

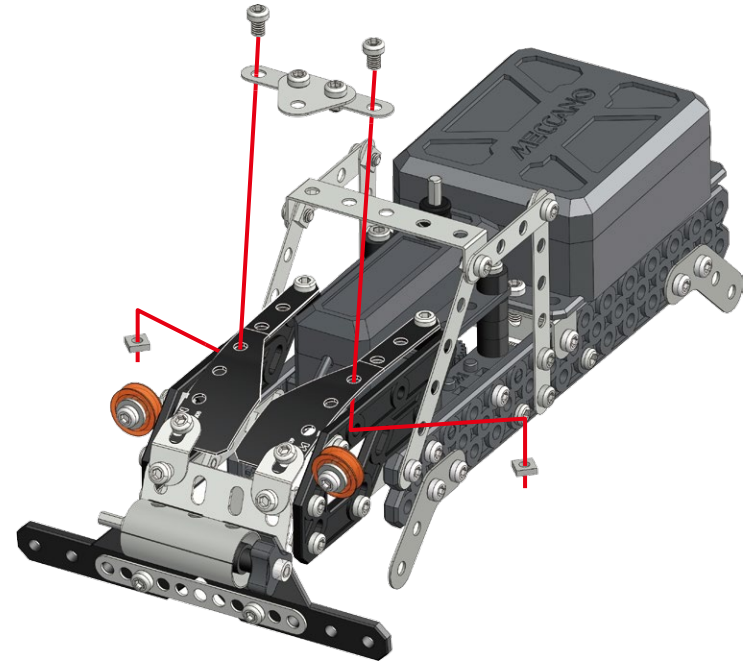


25






23 + 24 +


-  5,8 mm | 15/64" x2
-  x2

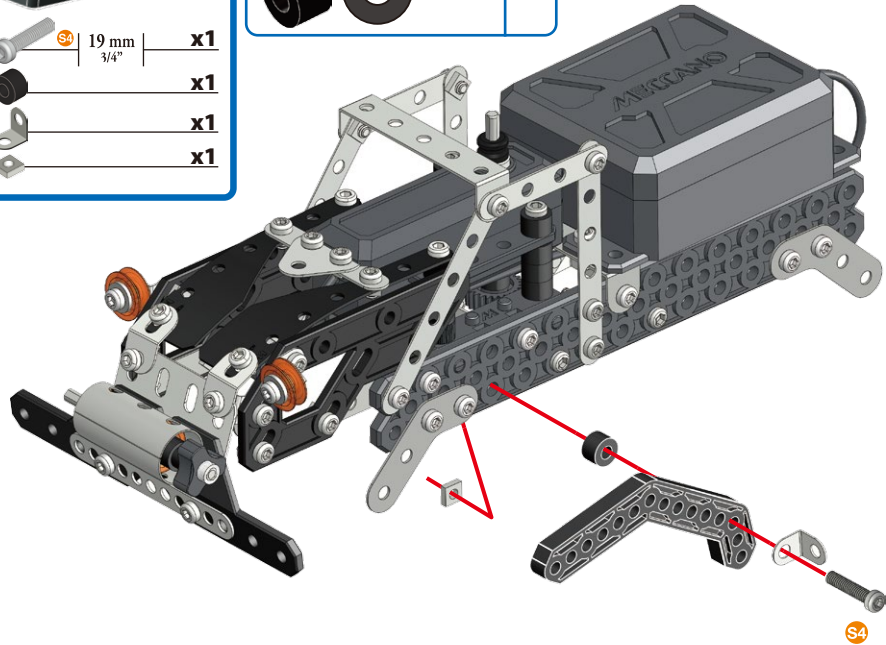
-  1:1





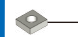
26

-  x1
-  19 mm | 3/4" x1
-  x1
-  x1
-  x1

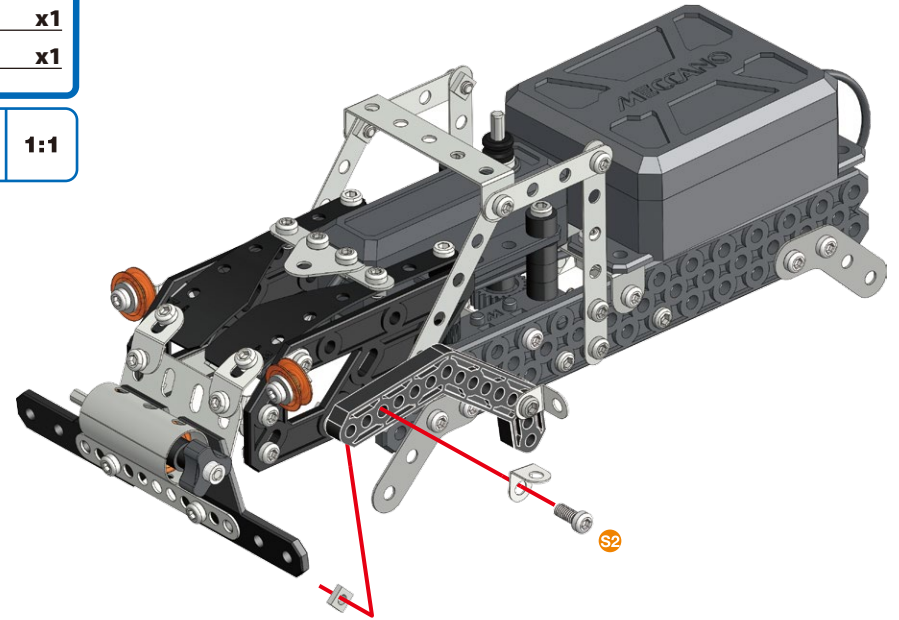
-  S4
-   A238
- 1:1






27

-  x1
-  9,5 mm | 3/8" x1
-  x1

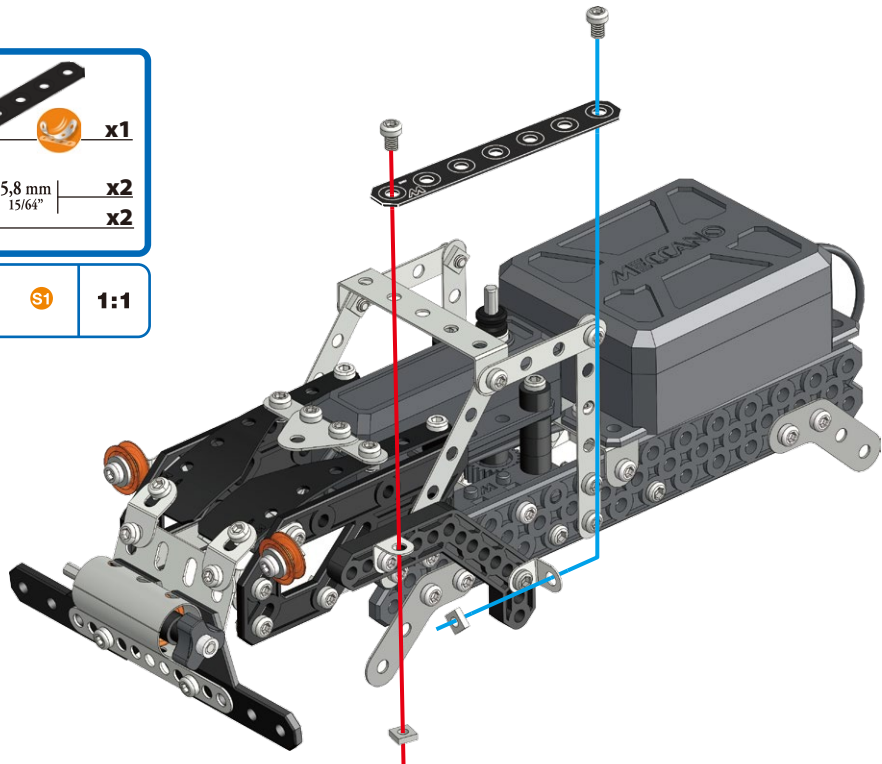
-  1:1






28

-  **x1**
-  | 5,8 mm | **x2**
-  | **x2**

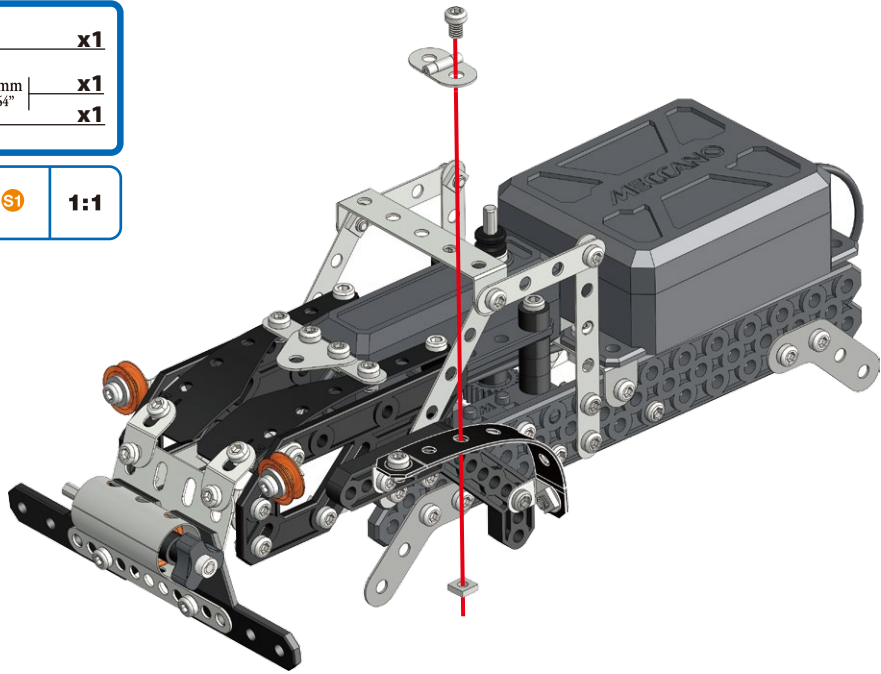
-  **S1** | **1:1**






29

-  **x1**
-  | 5,8 mm | **x1**
-  | **x1**

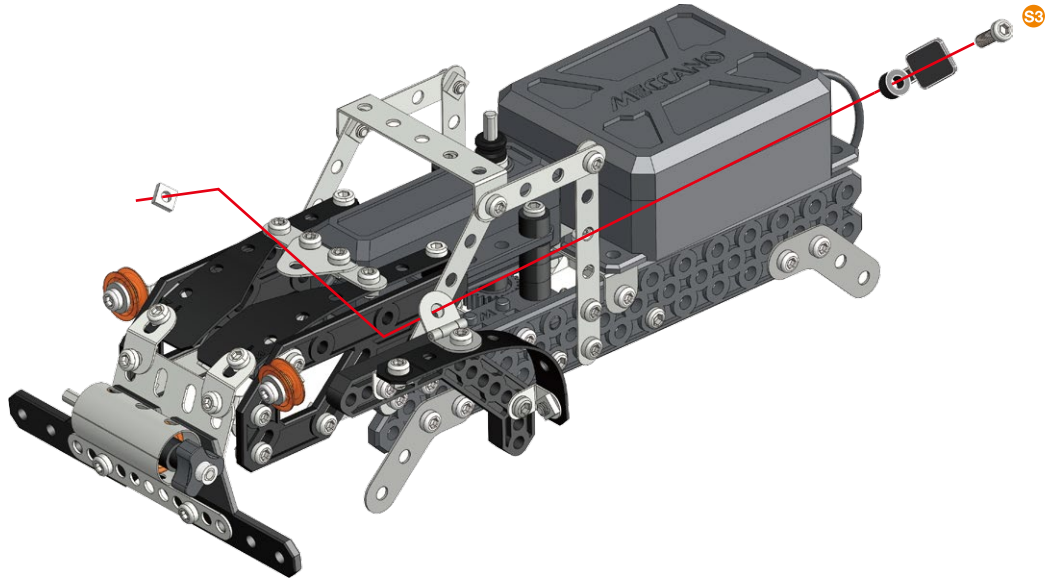
-  **S1** | **1:1**



30

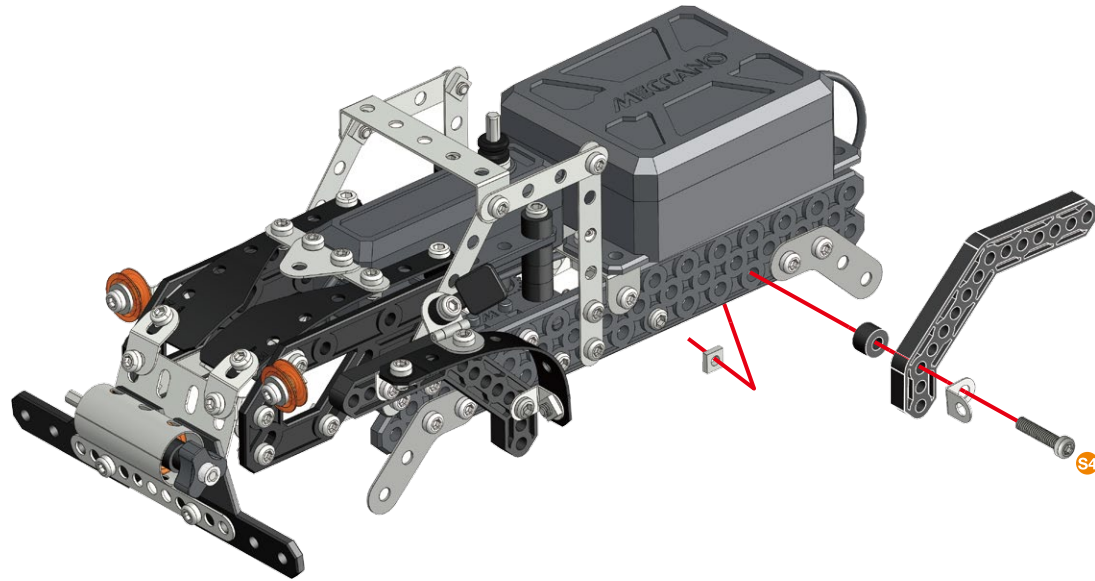
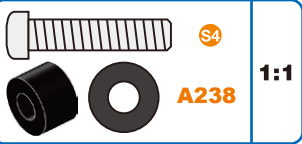
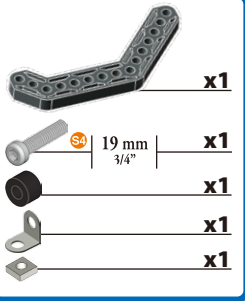
-  | 12 mm | **x1**
-  | **x1**
-  | **x1**

-  **S3** | **1:1**

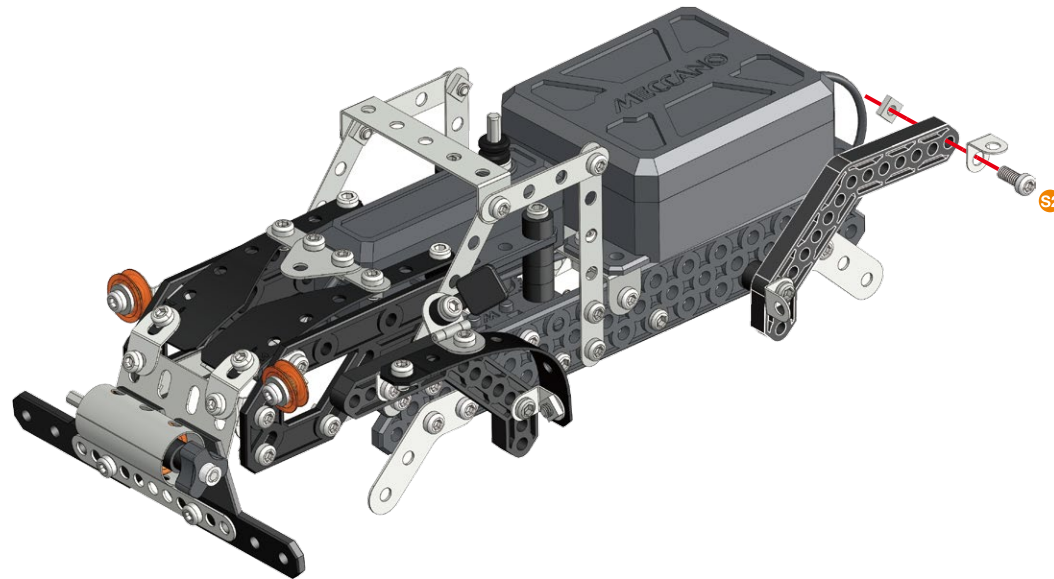
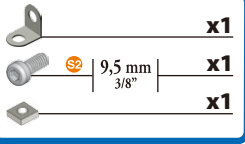







31



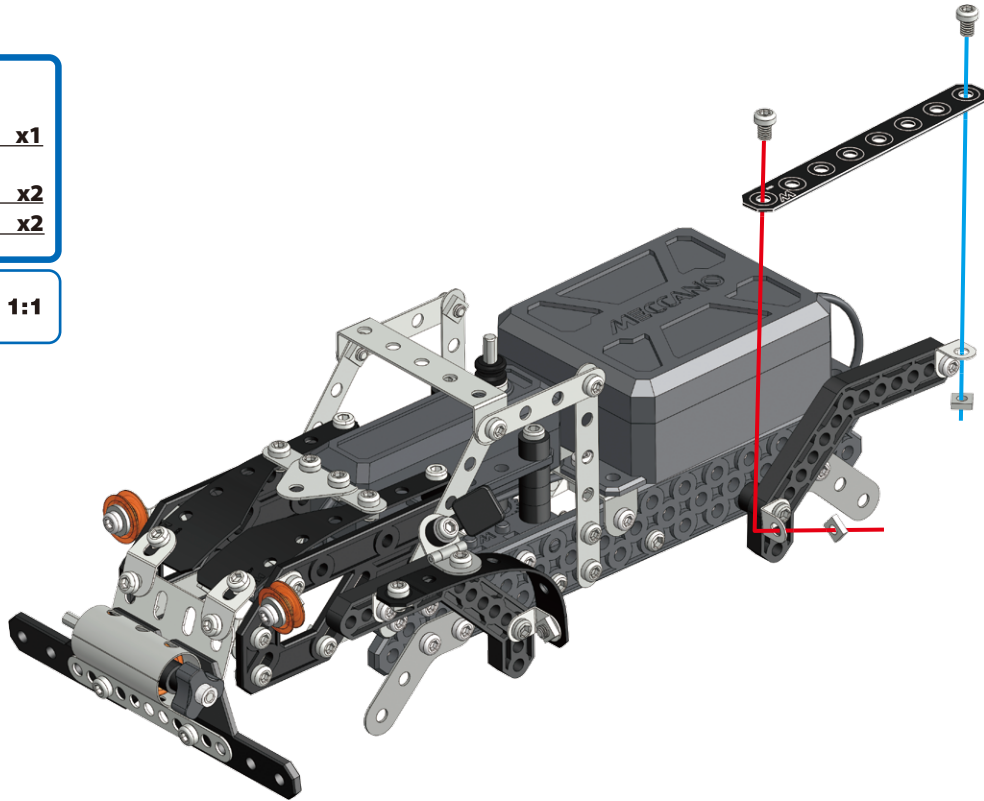
32






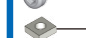
33

-  x1
-  5,8 mm | 15/64" x2
-  x2

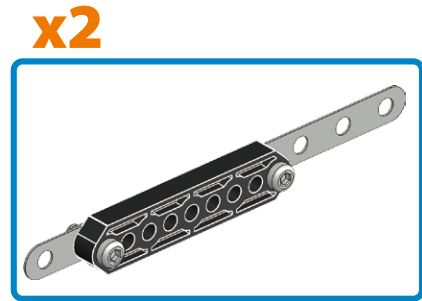
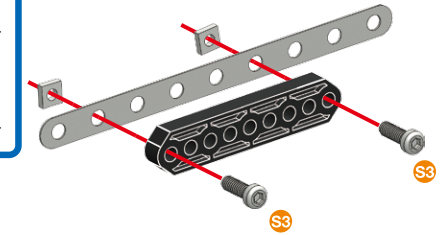
-  1:1



34



-  x2
-  x2
-  12 mm | 1/2" x4
-  x4

-  1:1

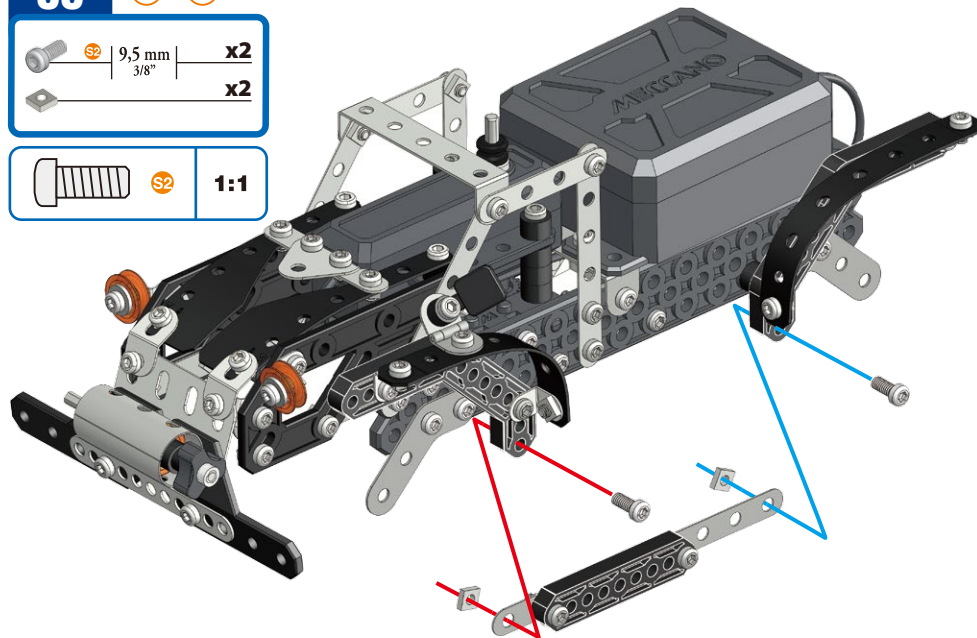


35






33 + 34 +

-  9,5 mm | 3/8" x2
-  x2

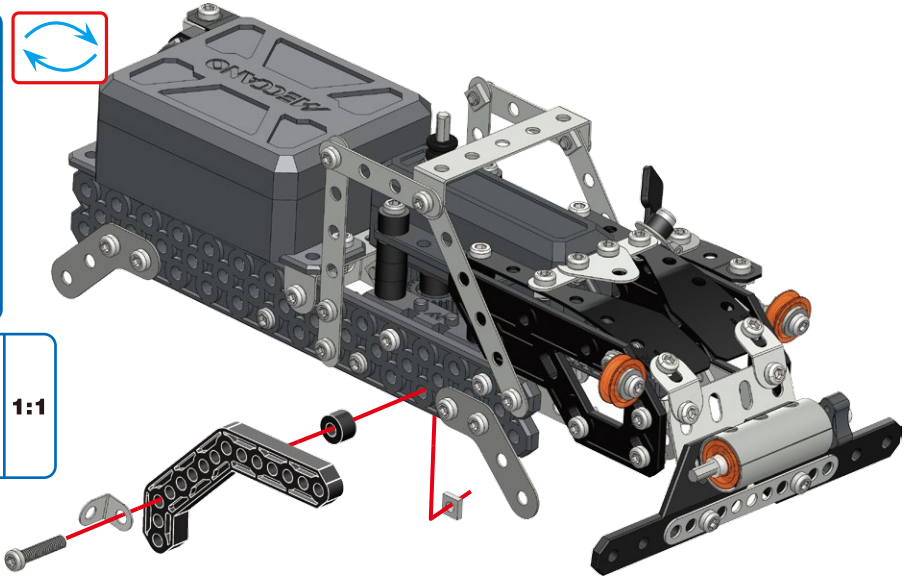
-  1:1



36

-  x1
-  19 mm | 3/4" x1
-  x1
-  x1
-  x1

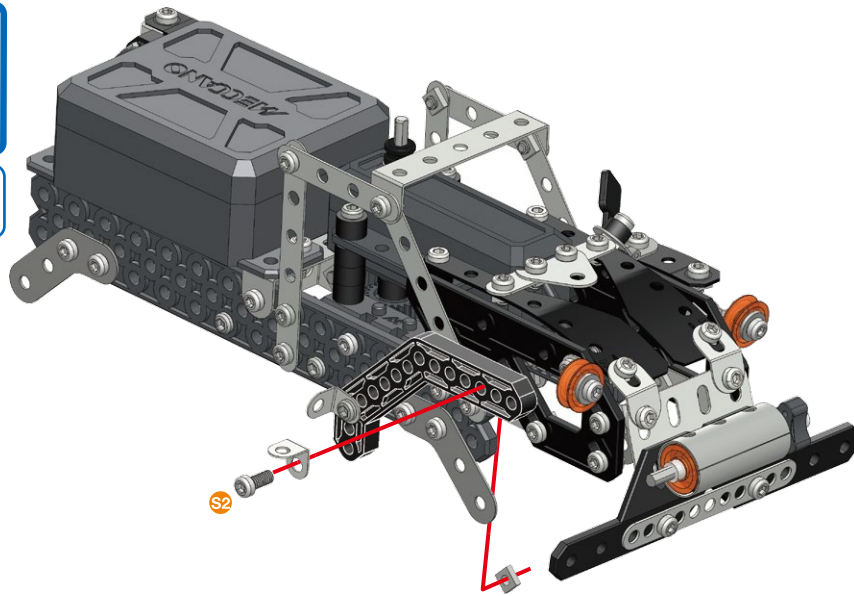
-  1:1
-  A238



37

	x1
	x1
	x1

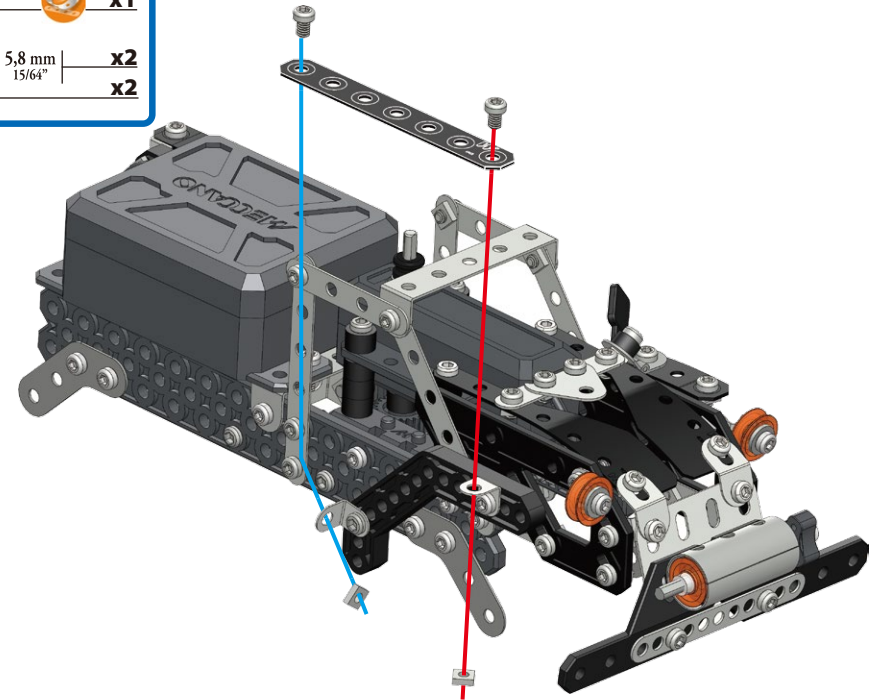
	1:1
--	-----



38

	x1
	x2
	x2

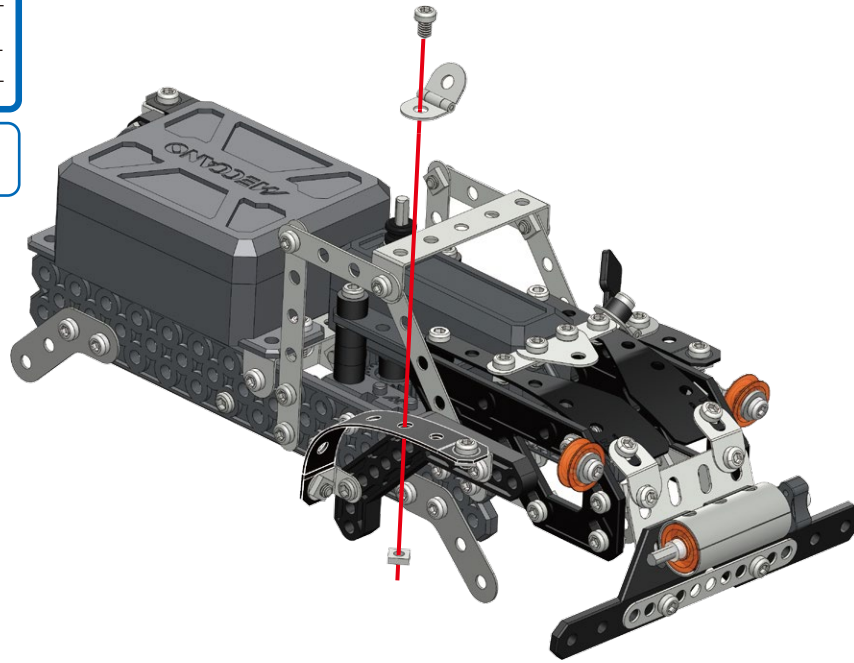
	1:1
--	-----



39

	x1
	x1
	x1

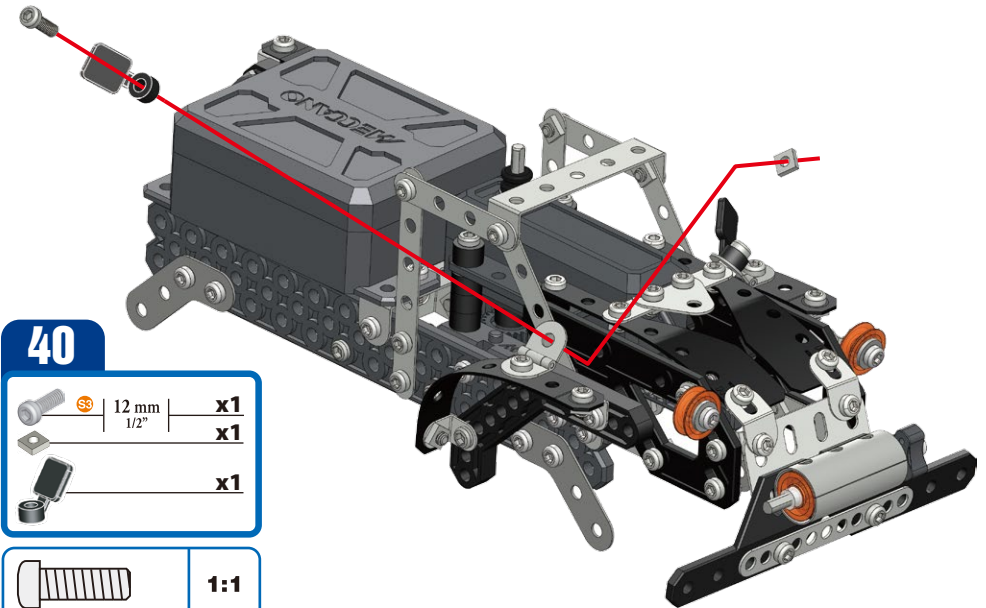
	1:1
--	-----



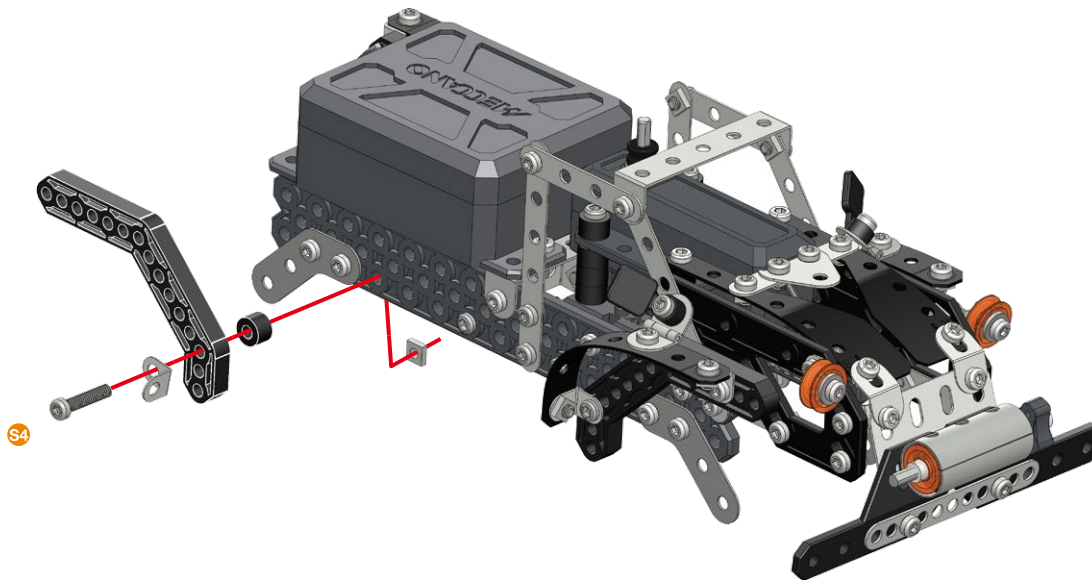
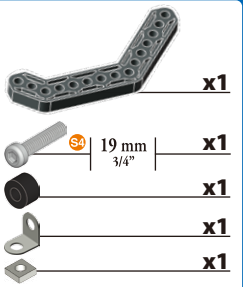
40

	x1
	x1
	x1

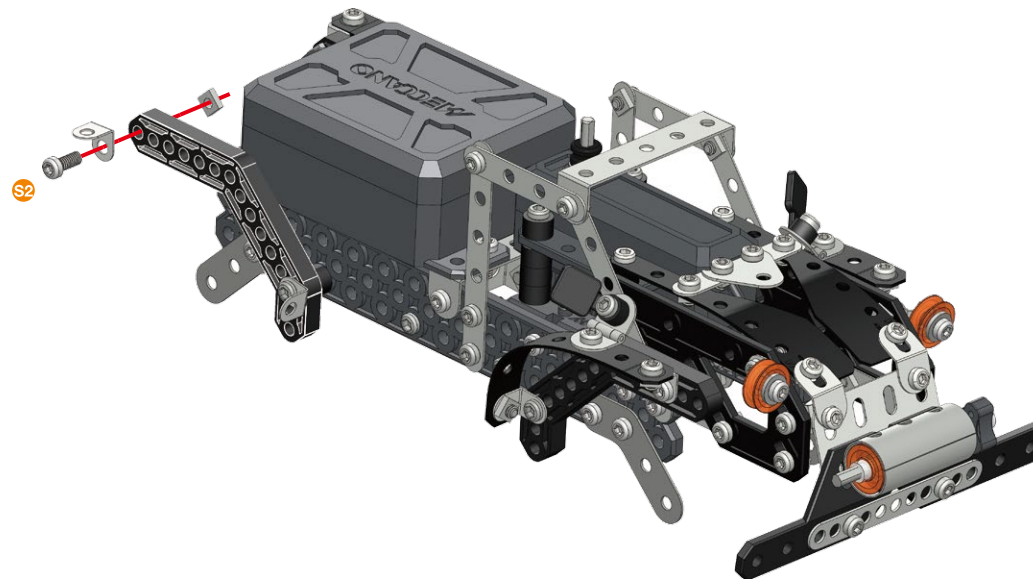
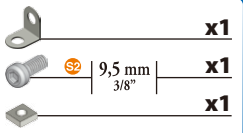
	1:1
--	-----



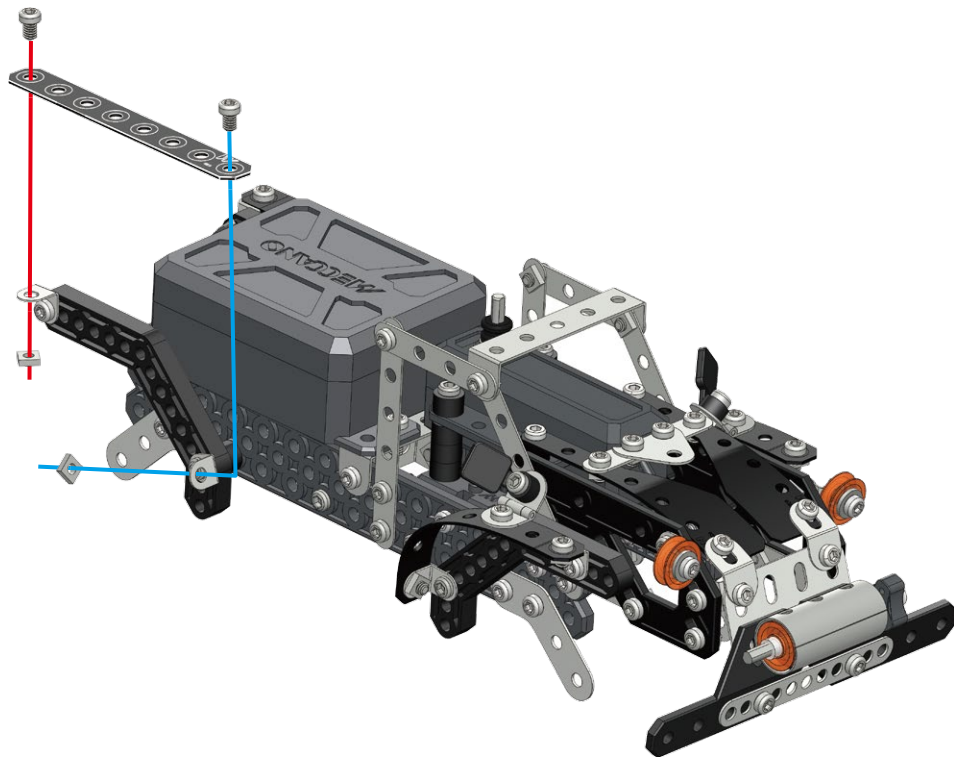
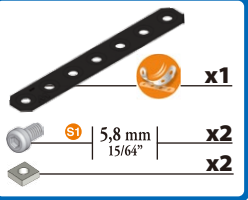
41



42

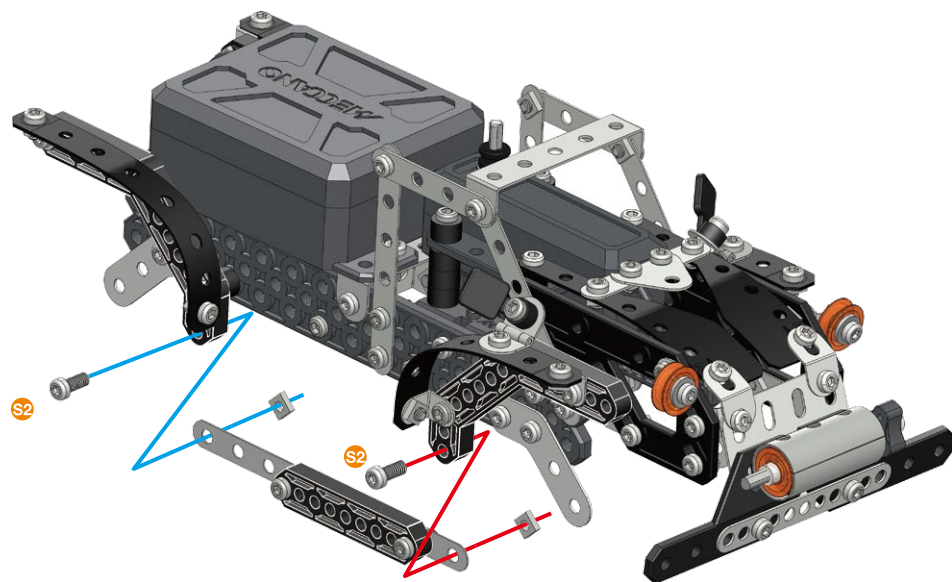
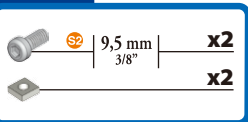


43








44

34 + 43 +

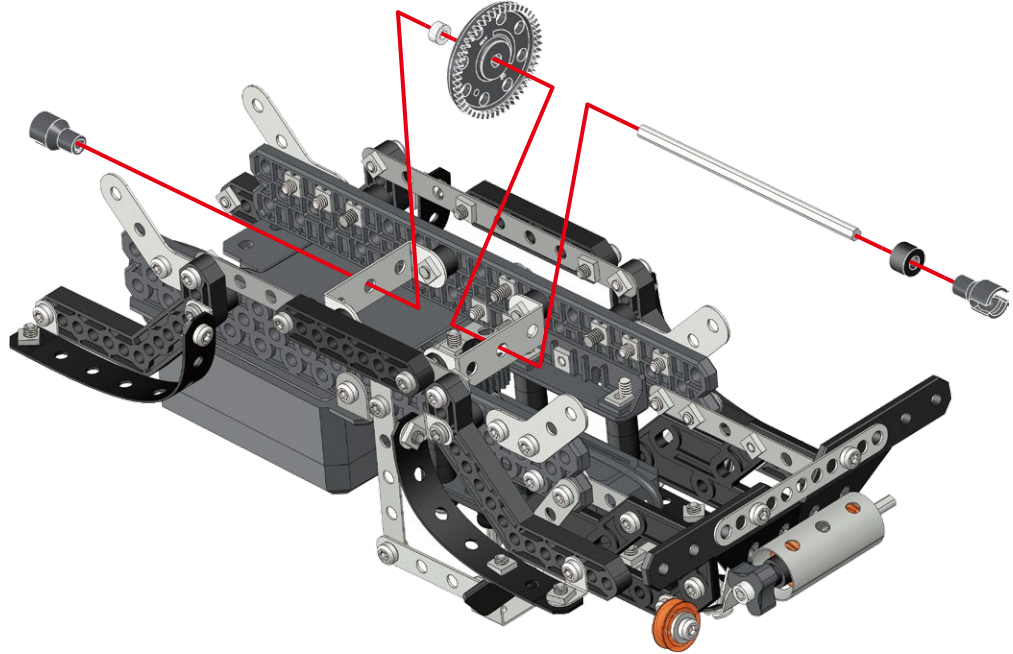


45




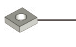
-  90 mm | 3 1/2" | **x1**
-  **x2**
-  **x1**
-  **x1**
-  **x1**



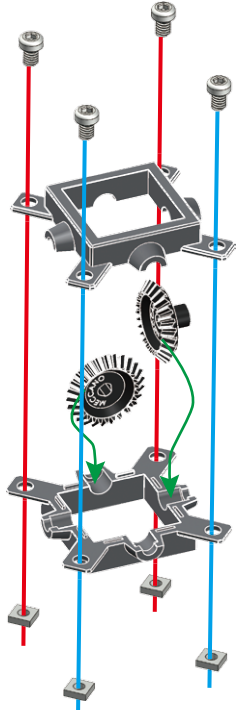
-   **A238** | **1:1**



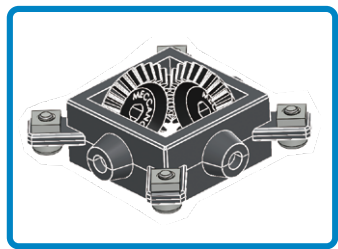
46

-  **x4**
-  **x4**
-  5.8 mm | 15/64" | **x8**
-  **x8**

-  **S1** | **1:1**

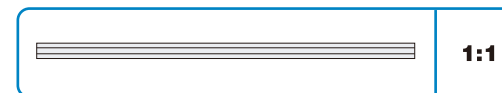
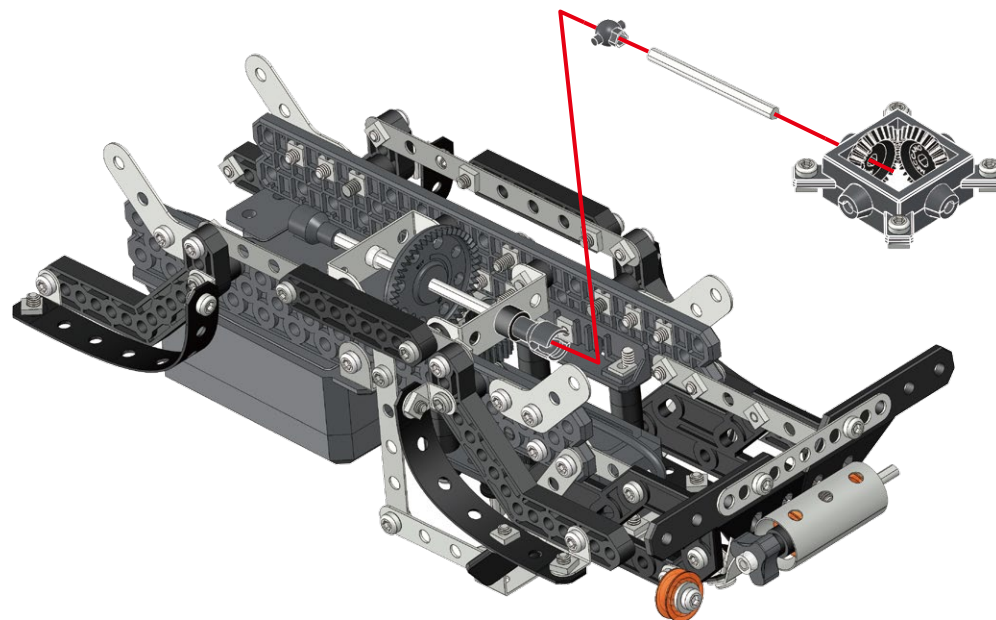
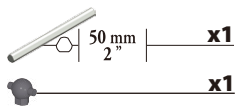


x2

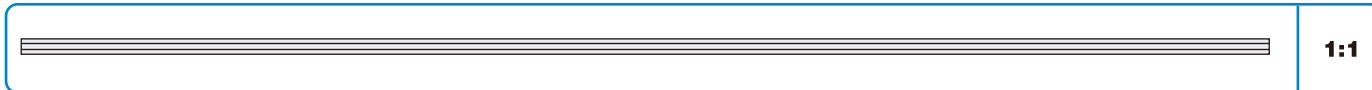
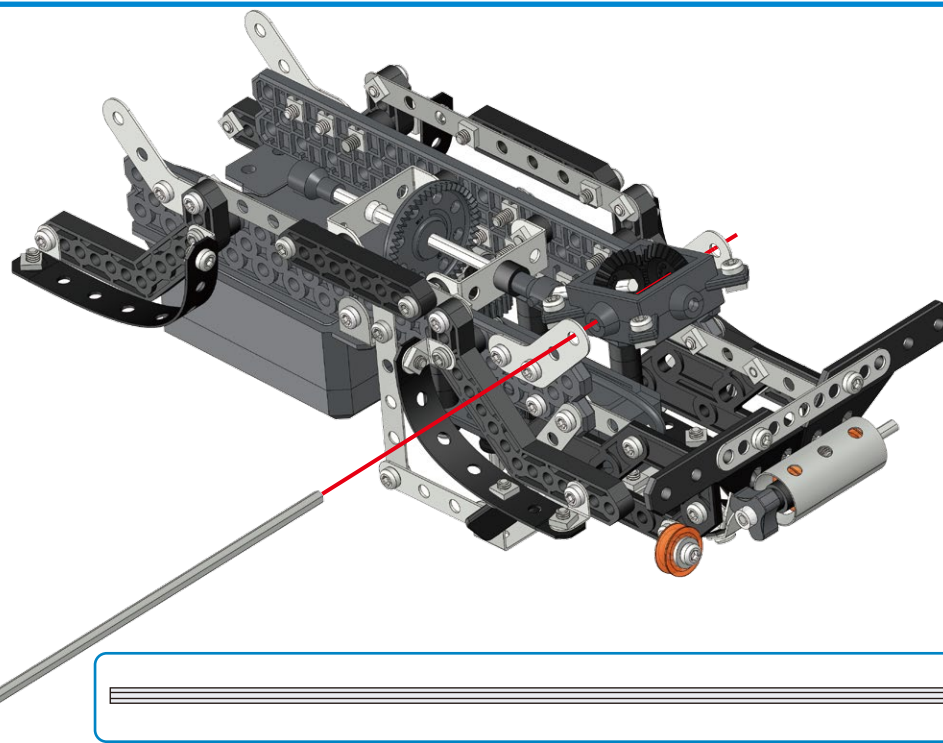
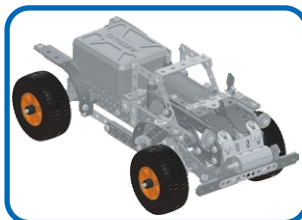
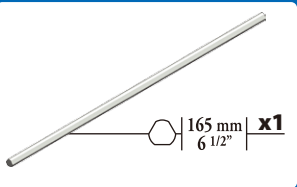


47

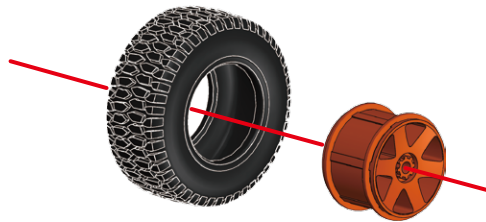
45 + 46 +



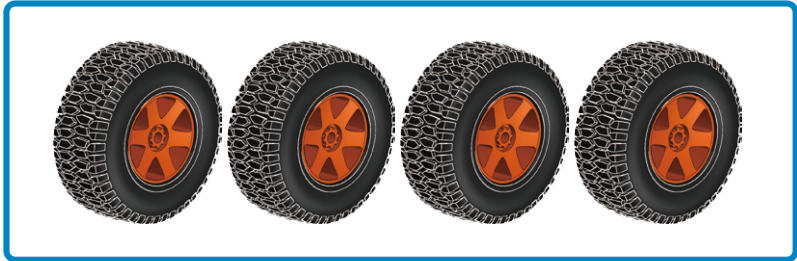
48



49

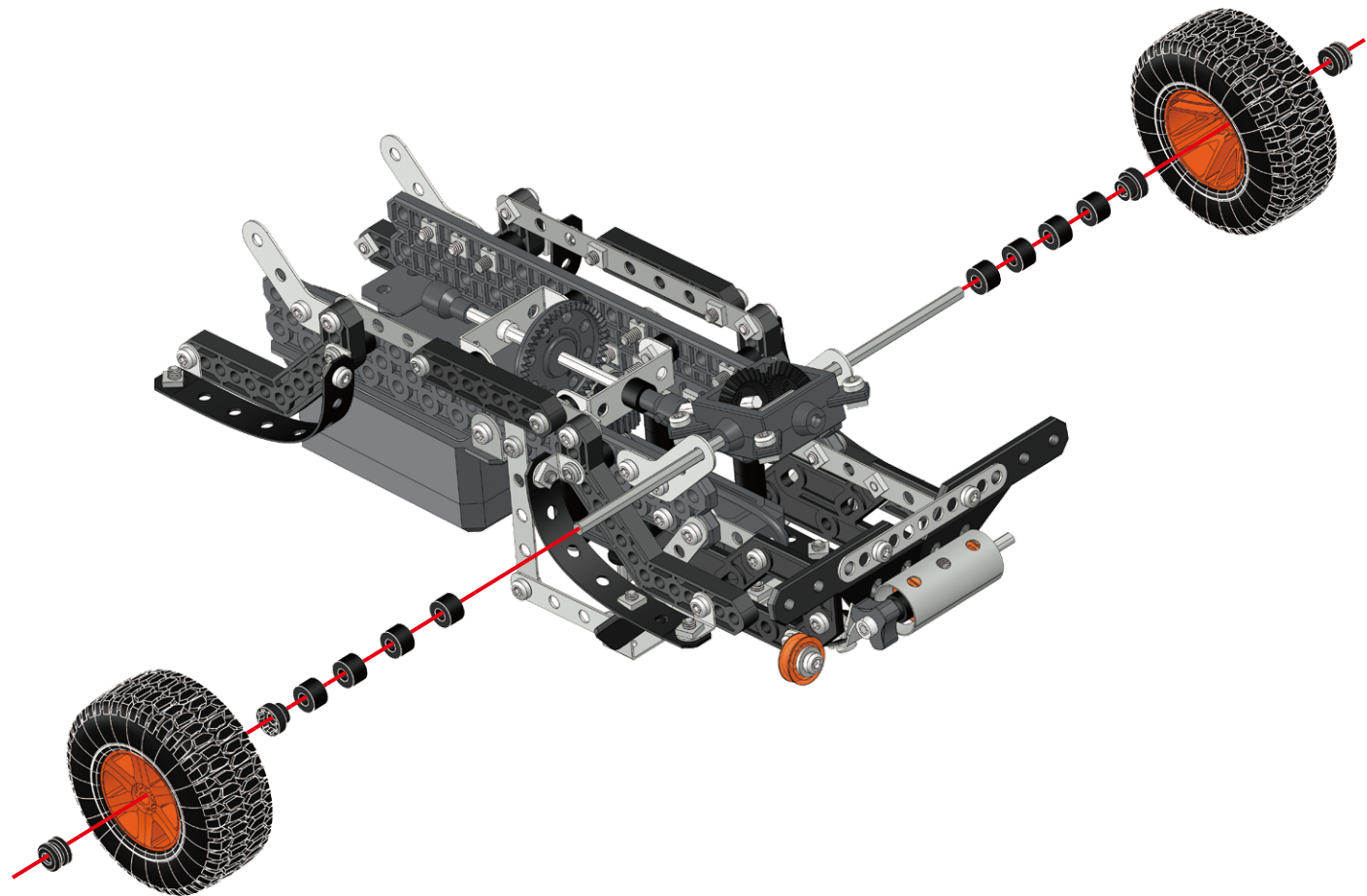
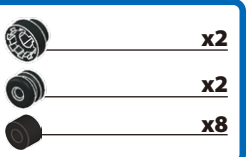


x4



50

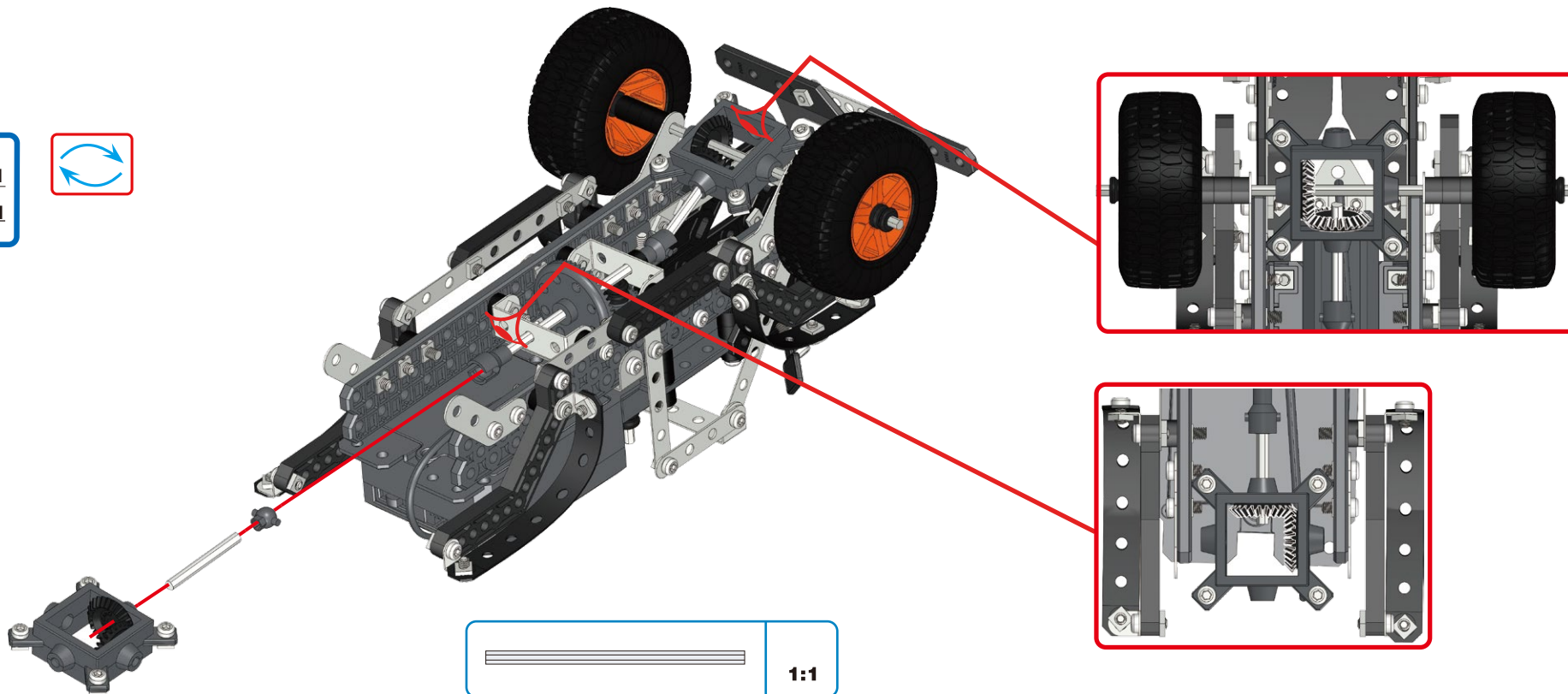
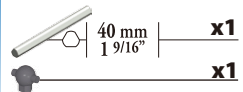
48 + 49 +



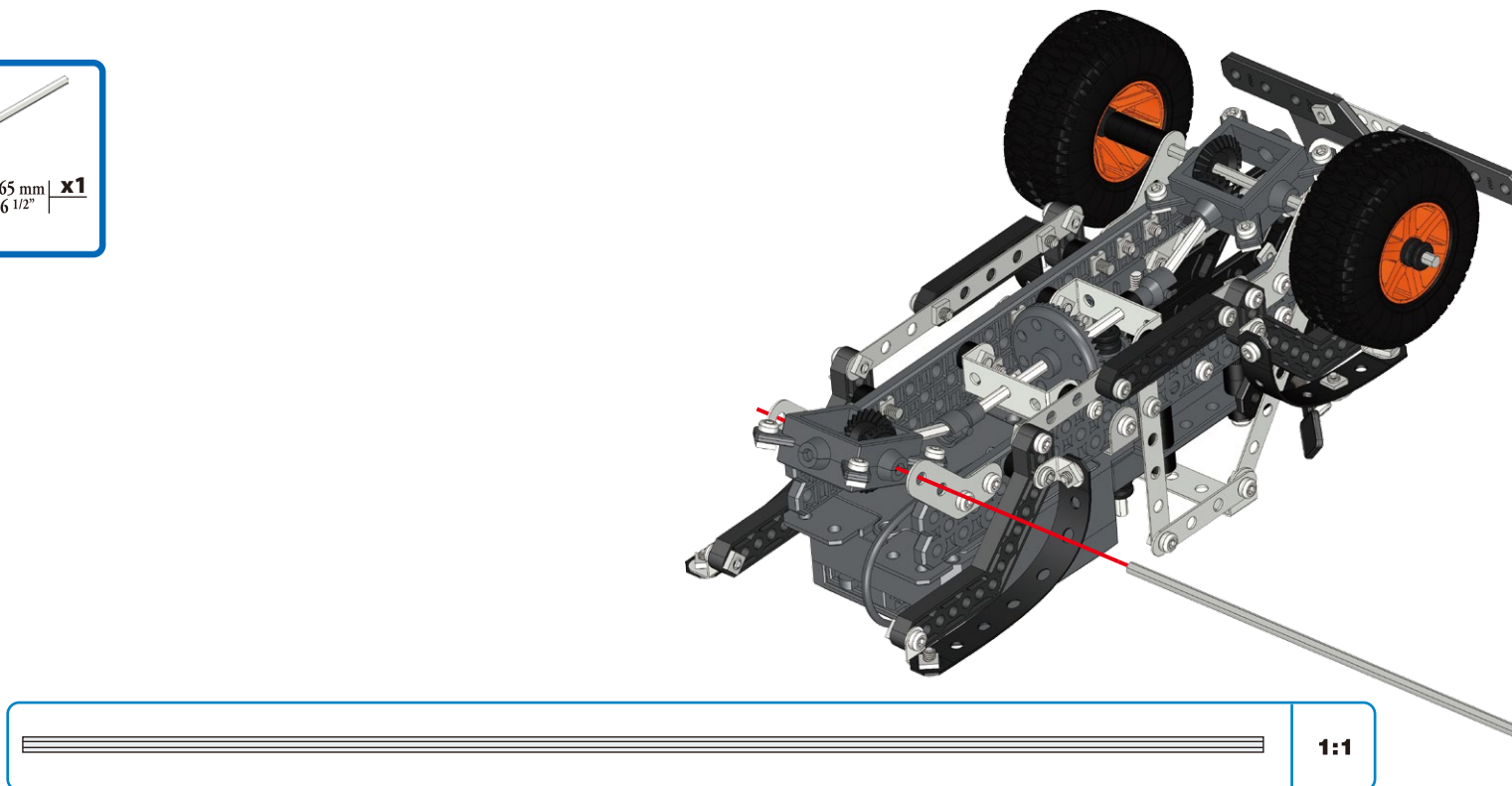
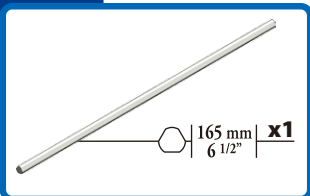


51

46+ 50+






52



53

(49) + (52) +

-  x2
-  x2
-  x8



A238

1:1

