



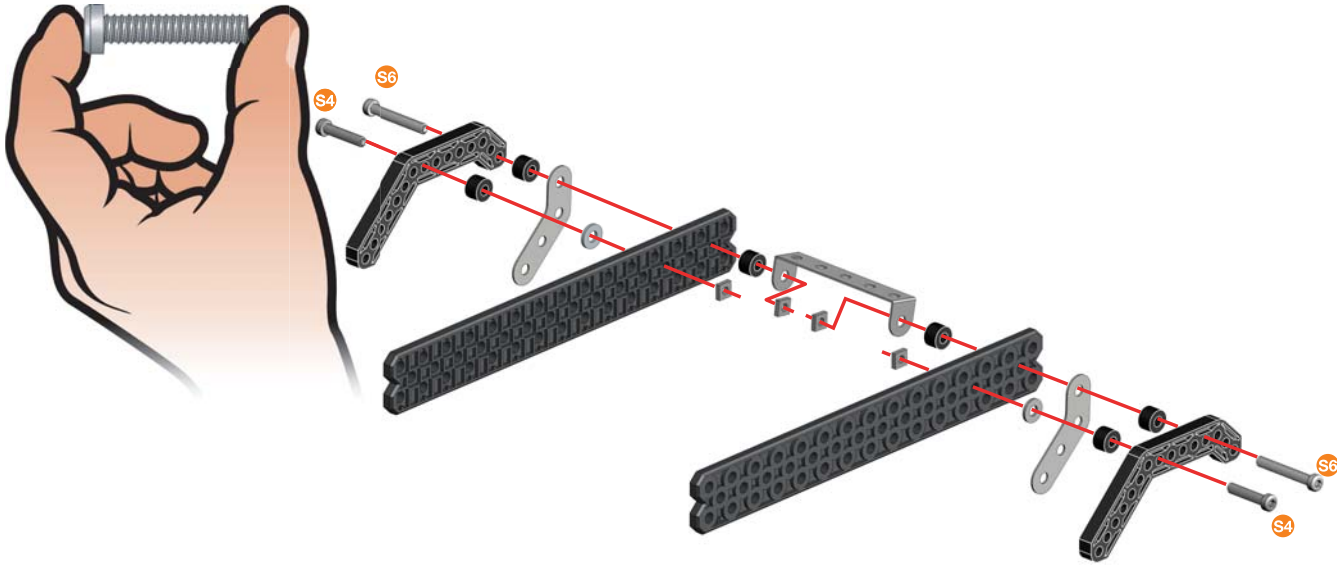
1

	x2		x6
	x2		x2
	x1		x2
	x2		x4
	x2		x2



	S6	1:1
	S4	

		A238	1:1



2

	x2
	x2
	x2
	x8
	x2
	x2

B1 1:1

3

	x1
	x2
	x2

S3 1:1

4

	x1
	x2
	x2
	x2
	x1
	x1

S1 1:1





5

3 + 4 +

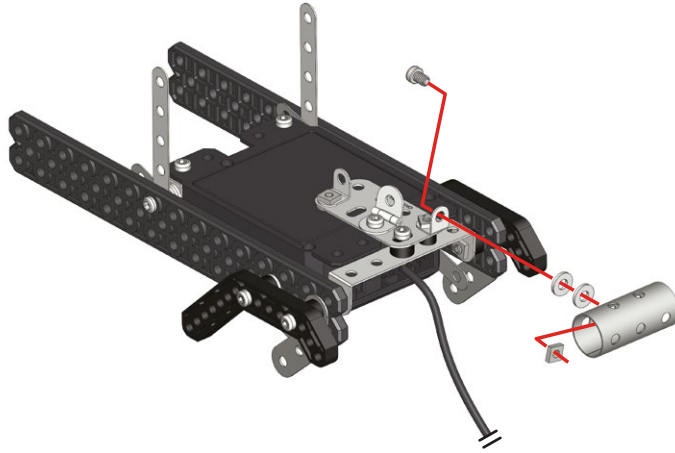
	x1
	x2
	x2
	x1
	x1

	S3	1:1
	A238	
	A338	
	A238	






6

-  x1
-  | 5,8 mm | 15/64" | x1
-  x1
-  x2

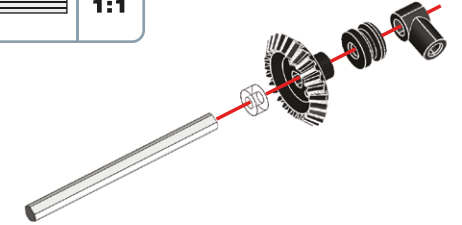
-  | S1 | 1:1




7

-  x1
-  x1
-  | 50 mm | 2" | x1
-  x1
-  x1

-  | 1:1



8


-  x1



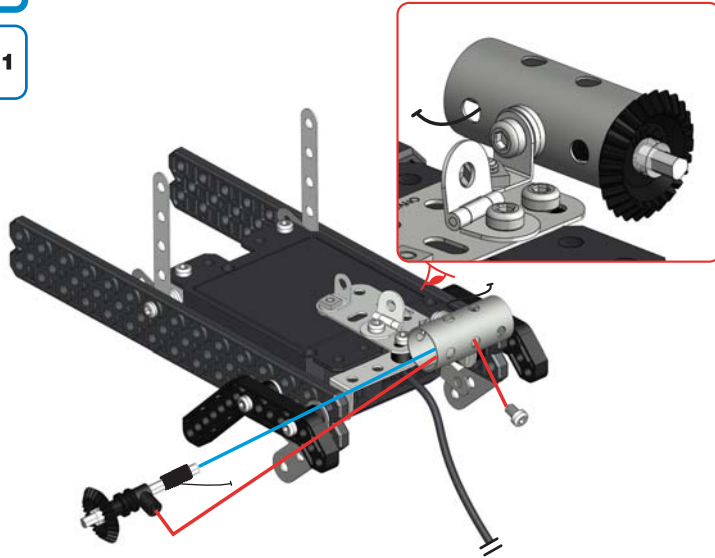
9





10**6+9+**

	5,8 mm 15/64"	x1
--	------------------	-----------

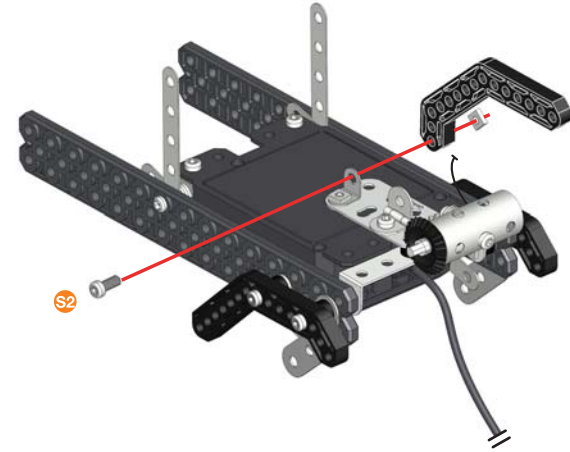
	1:1
--	------------







**11**


	x1
---	-----------

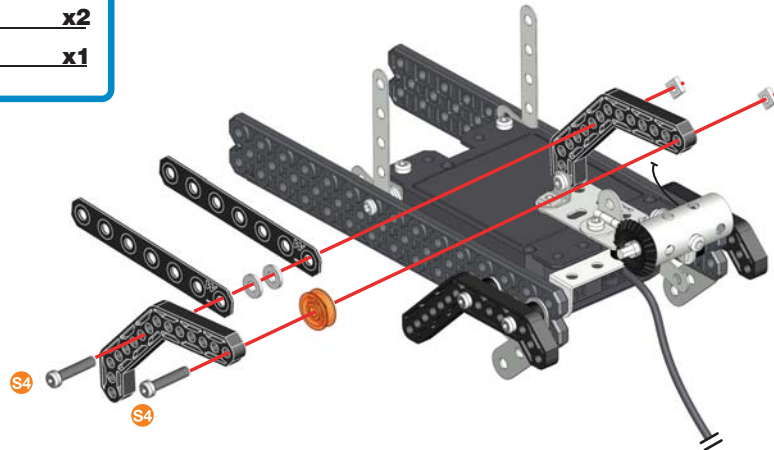
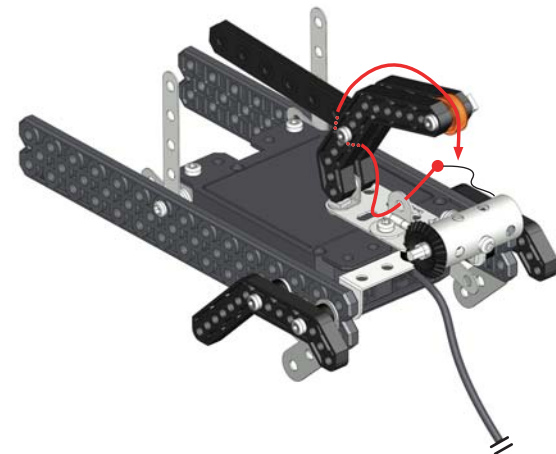
	9,5 mm 3/8"	x1
		x1

	1:1
---	------------

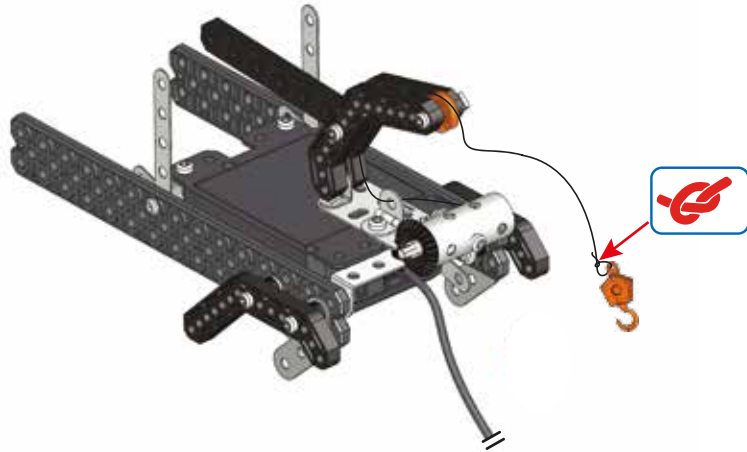
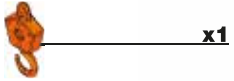
**12**

	x2	
	x1	
	19 mm 3/4"	x2
		x2
		x2
		x1

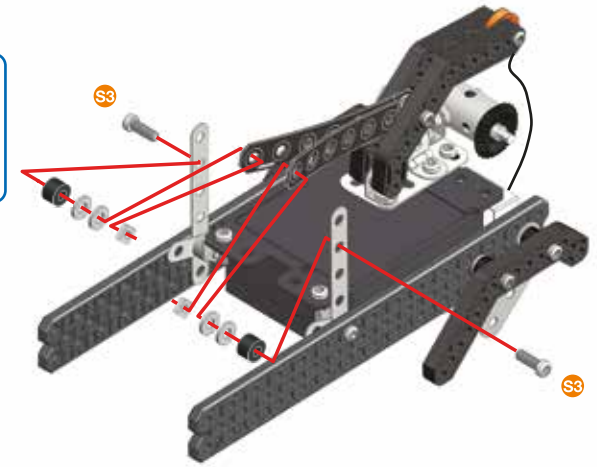
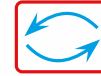
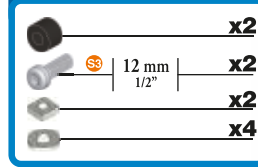
	1:1
---	------------

**13**

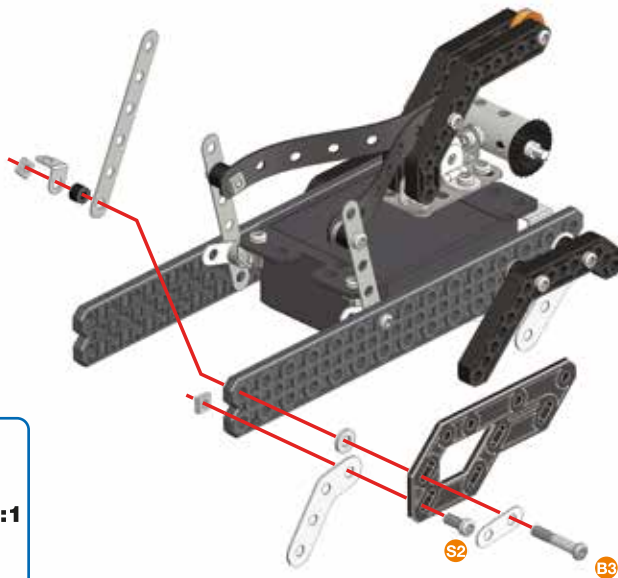
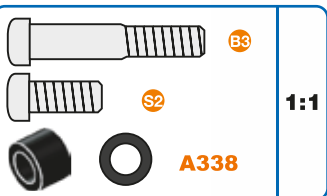
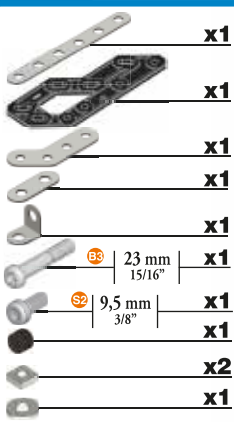
14



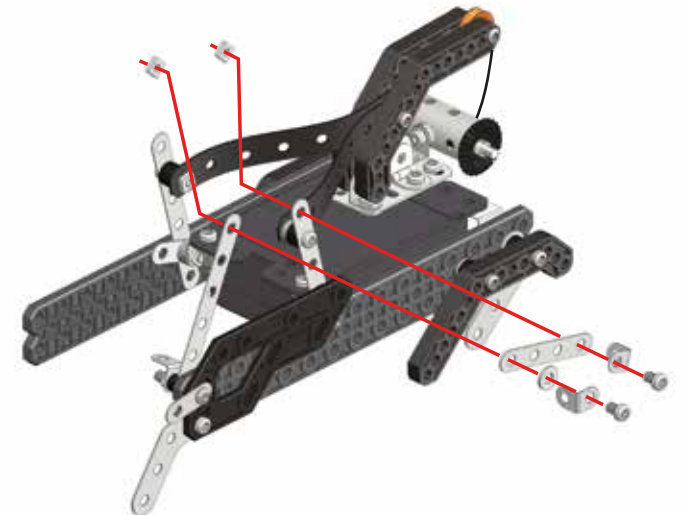
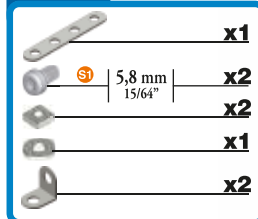
15














16







17

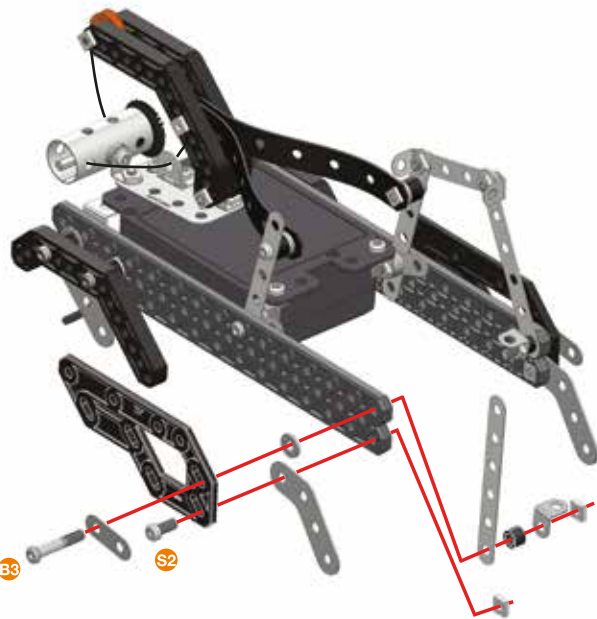


18





-  x1
-  x1
-  x1
-  x1
-  x1
-  x2
-  x1
-  x1
-  x1
-  23 mm | 15/16" | x1
-  9,5 mm | 3/8" | x1



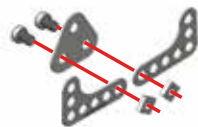
-  B3
 -  S2
 -   A338
- 1:1








20

-  x2
-  x1
-  5,8 mm | 15/64" | x2
-  x2

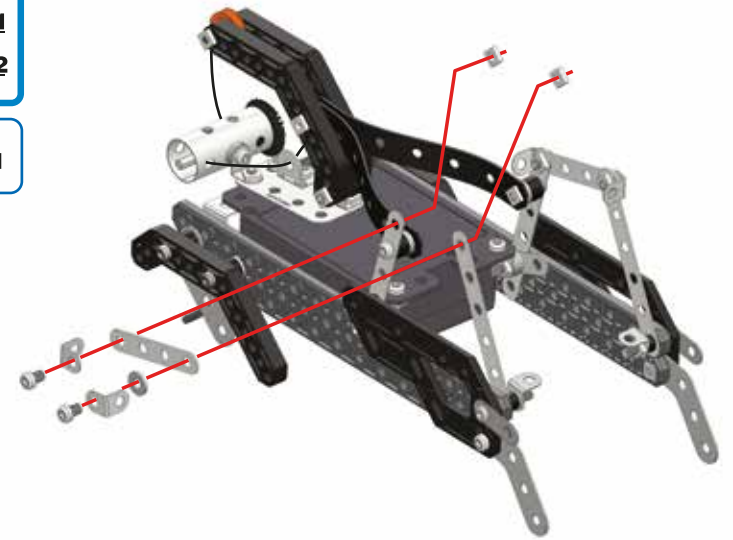
-  S1
- 1:1



19



-  x1
-  5,8 mm | 15/64" | x2
-  x2
-  x1
-  x2

-  S1
- 1:1

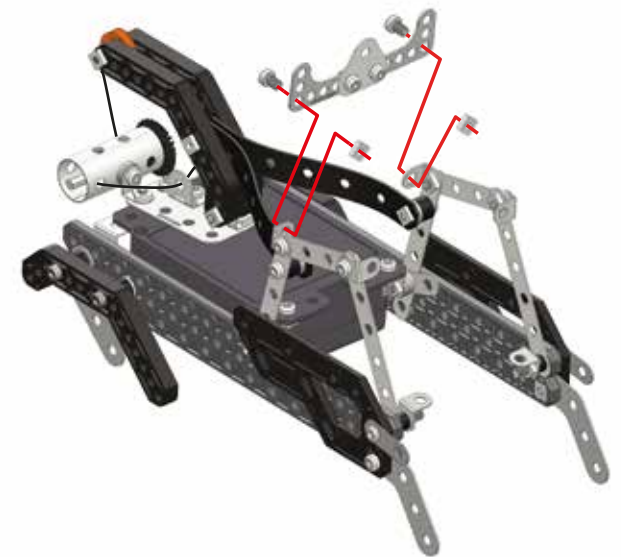


21




19 + 20 +

-  5,8 mm | 15/64" | x2
-  x2

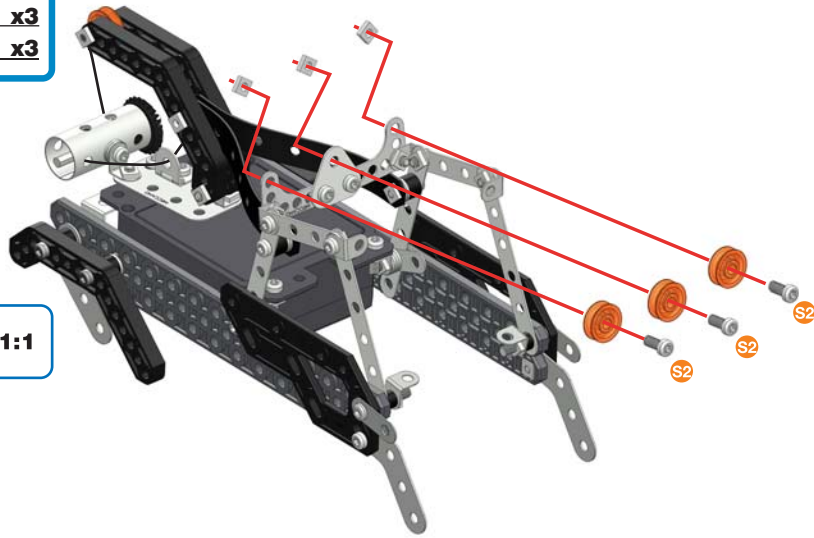
-  S1
- 1:1






22

-  **x3**
-  | 9,5 mm | **x3**
3/8"
-  **x3**

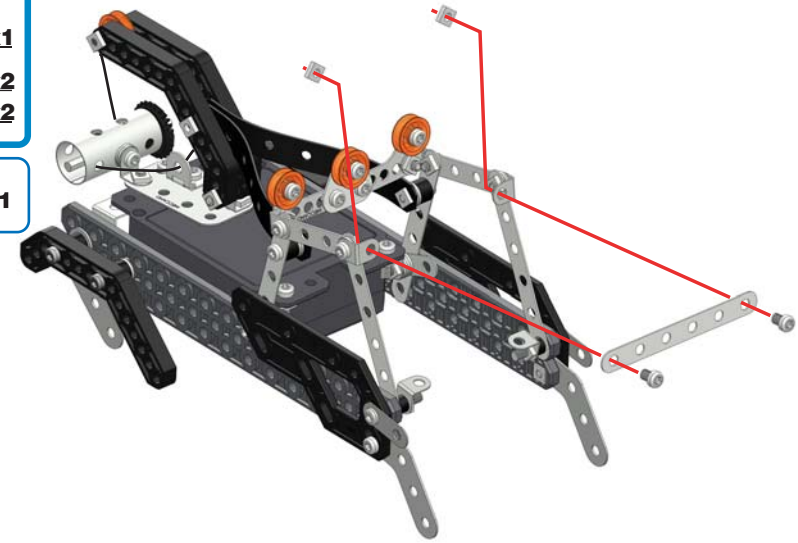
-  **S2** **1:1**





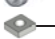

23

-  **x1**
-  | 5,8 mm | **x2**
15/64"
-  **x2**

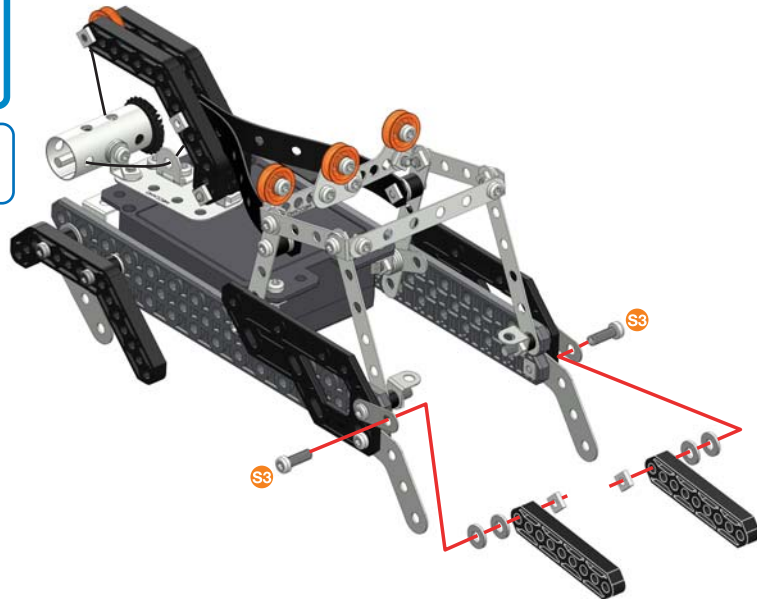
-  **S1** **1:1**








24





-  **x2**
-  | 12 mm | **x2**
1/2"
-  **x2**
-  **x4**

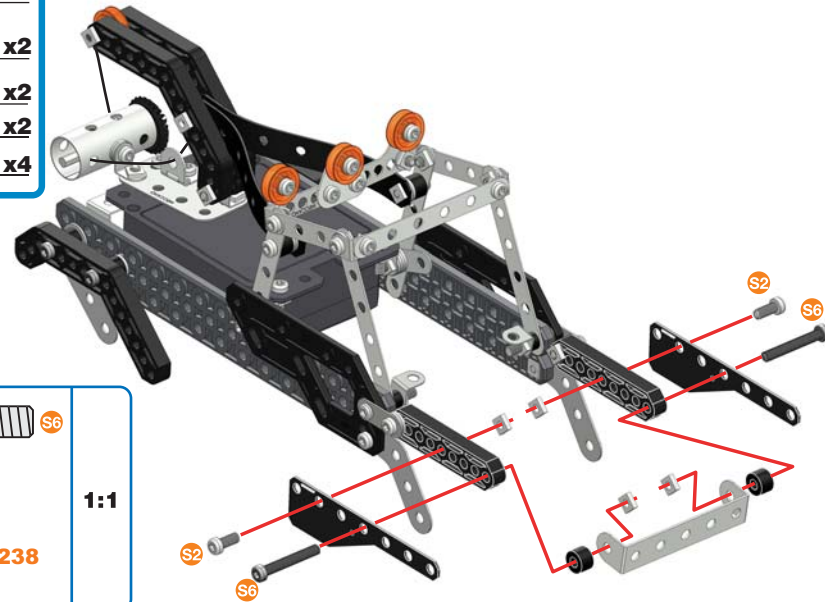
-  **S3** **1:1**







25

-  **x1**
-  | 28 mm | **x2**
1 1/8"
-  | 9,5 mm | **x2**
3/8"
-  **x2**
-  **x4**

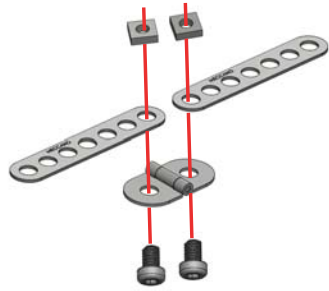
-  **S6**
-  **S2**
-   **A238**
- 1:1**



26

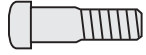

-  x2
-  5,8 mm | 15/64" x2
-  x2
-  x1

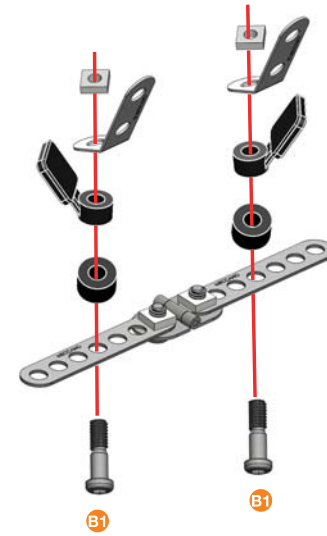
-  S1 1:1



27





-  x2
-  x2
-  14,7 mm | 37/64" x2
-  x2
-  x2

-  B1 1:1
-  A238

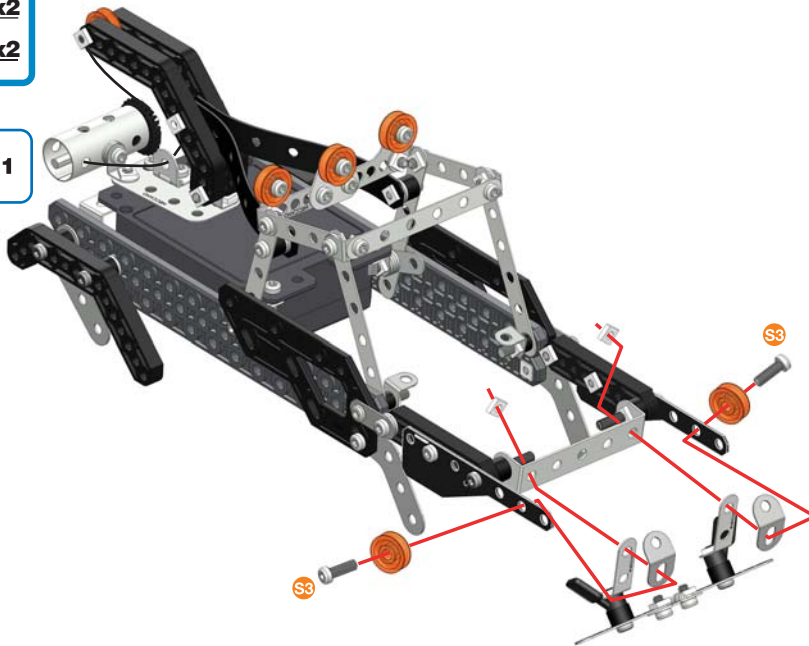


28







(25) + (27) +

-  S3 12 mm | 1/2" x2
-  x2
-  x2
-  x2

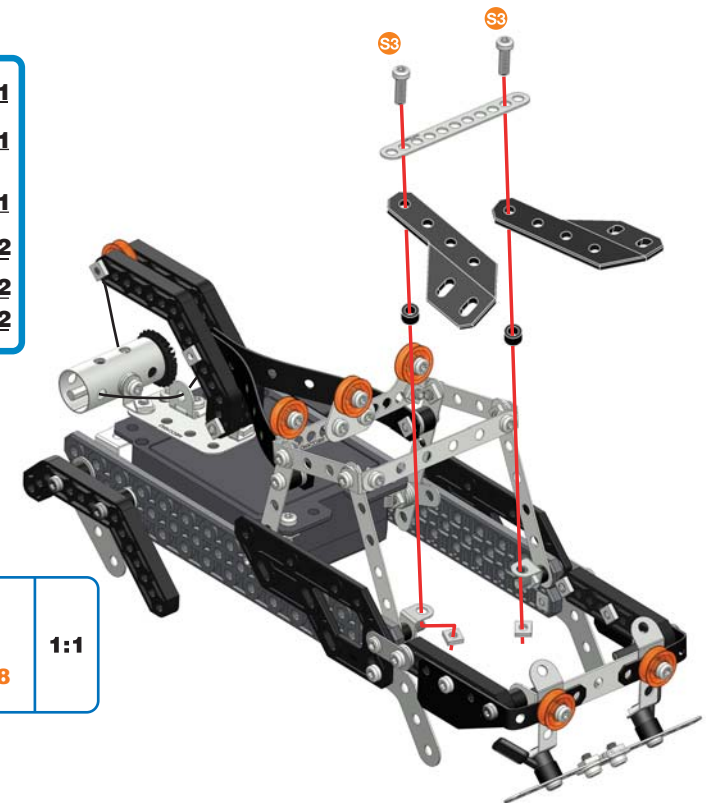
-  S3 1:1




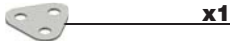
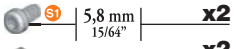

29

-  x1
-  x1
-  x1
-  x2
-  S3 12 mm | 1/2" x2
-  x2

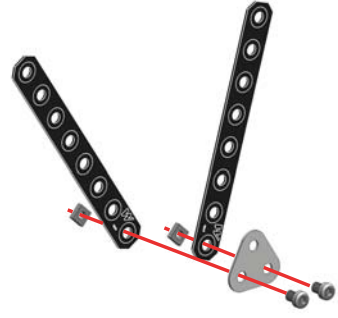
-  S3 1:1
-  A338



30

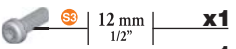
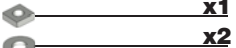

-  **x2**
-  **x1**
-  **x2**
-  **x2**

-  **1:1**

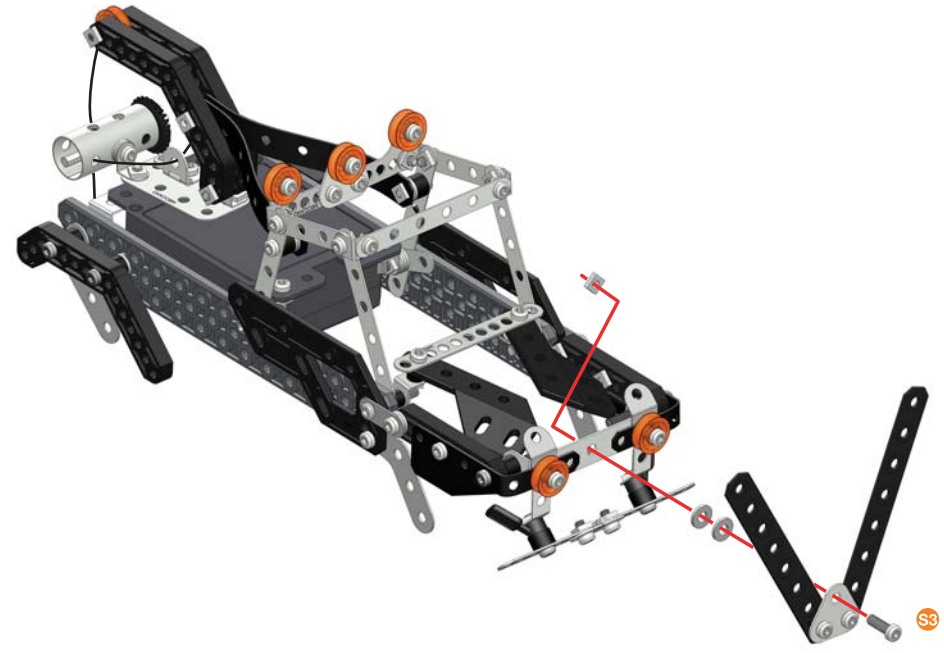


31



(29) + (30) +

-  **x1**
-  **x1**
-  **x2**

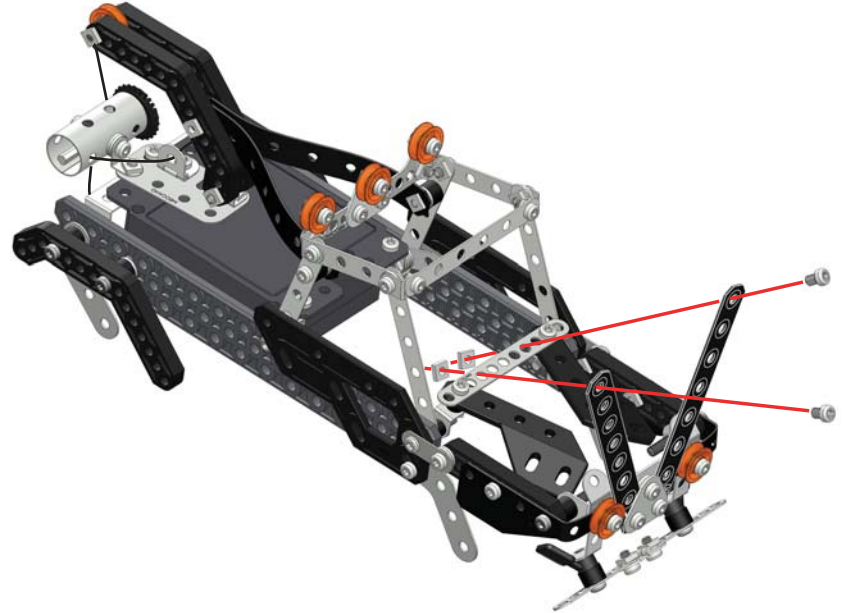
-  **1:1**





32

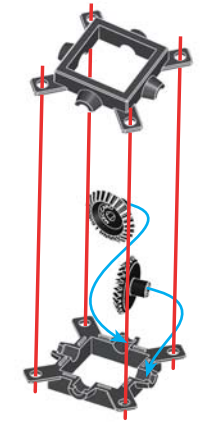
-  **x2**
-  **x2**

-  **1:1**





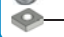





33

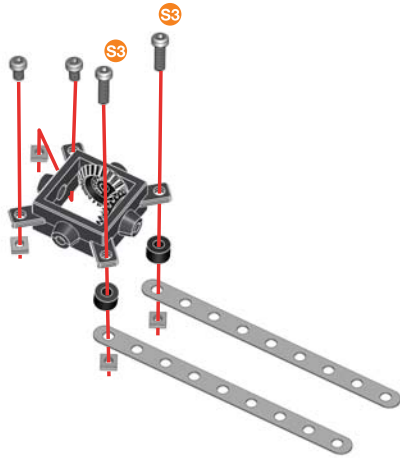
-  **x2**
-  **x2**







34

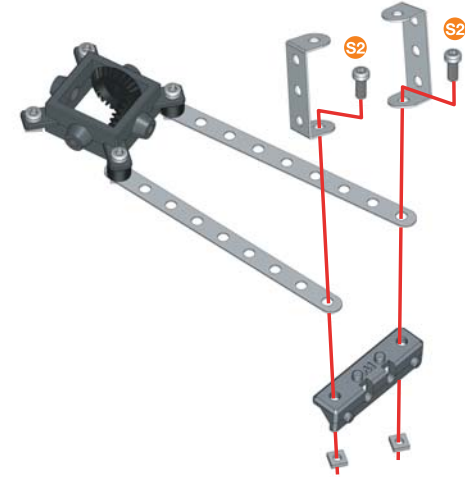
	x2
	x2
 12 mm 1/2"	x2
 5,8 mm 15/64"	x2
	x4




	S3	1:1
	S1	
	A238	

**35**

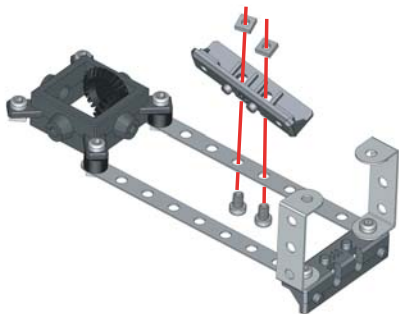
	x1
	x2
 9,5 mm 3/8"	x2
	x2




	S2	1:1
---	-----------	------------

**36**

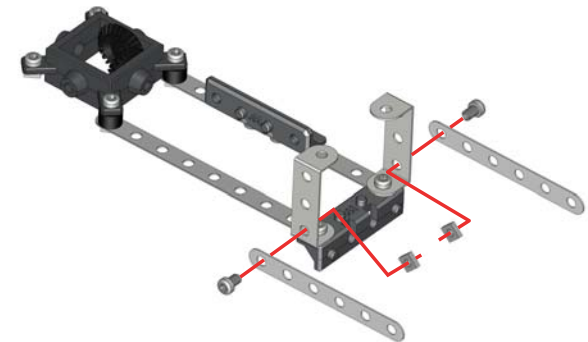
	x1
 5,8 mm 15/64"	x2
	x2

	S1	1:1
--	-----------	------------



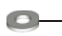
**37**

	x2
 5,8 mm 15/64"	x2
	x2

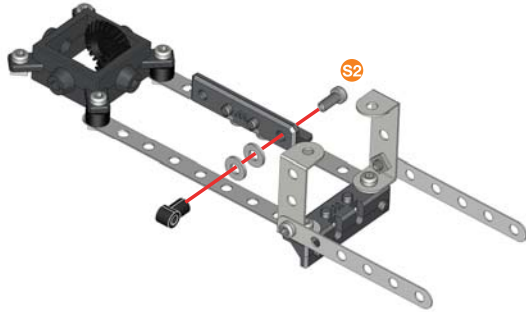
	S1	1:1
---	-----------	------------





38

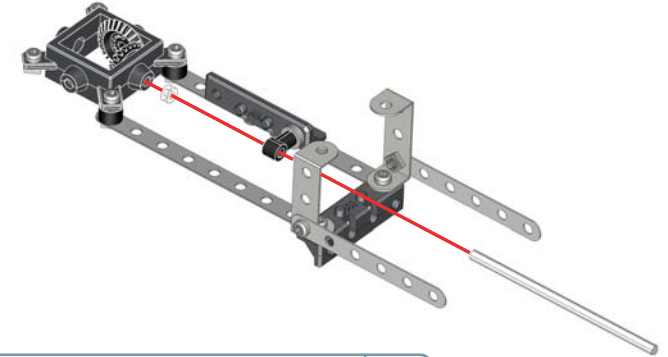
-  **x1**
-  9,5 mm **x1**
3/8"
-  **x2**


-  **1:1**






39

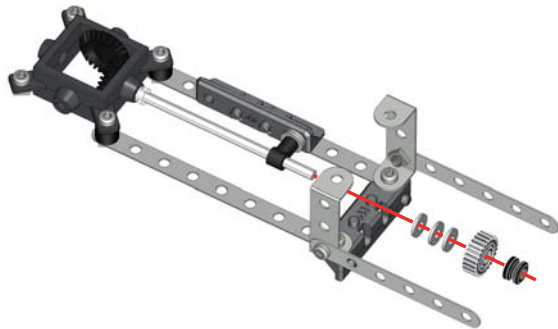
-  90 mm **x1**
3 1/2"
-  **x1**







-  **1:1**

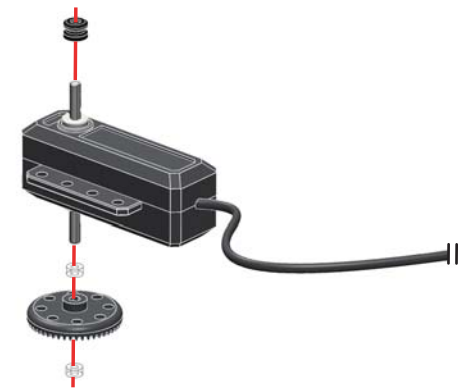
40

-  **x1**
-  **x3**
-  **x1**



41

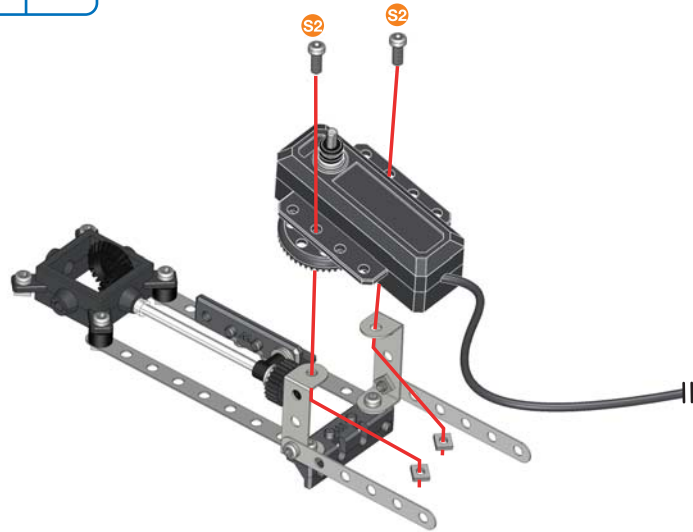
-  **x1**
-  **x1**
-  **x1**
-  **x2**



42 (40) + (41) +

	9,5 mm 3/8"	x2
		x2

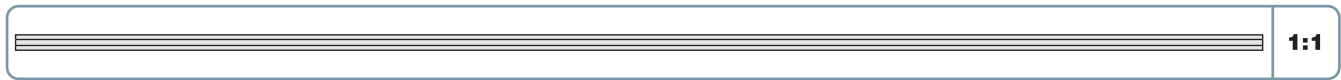
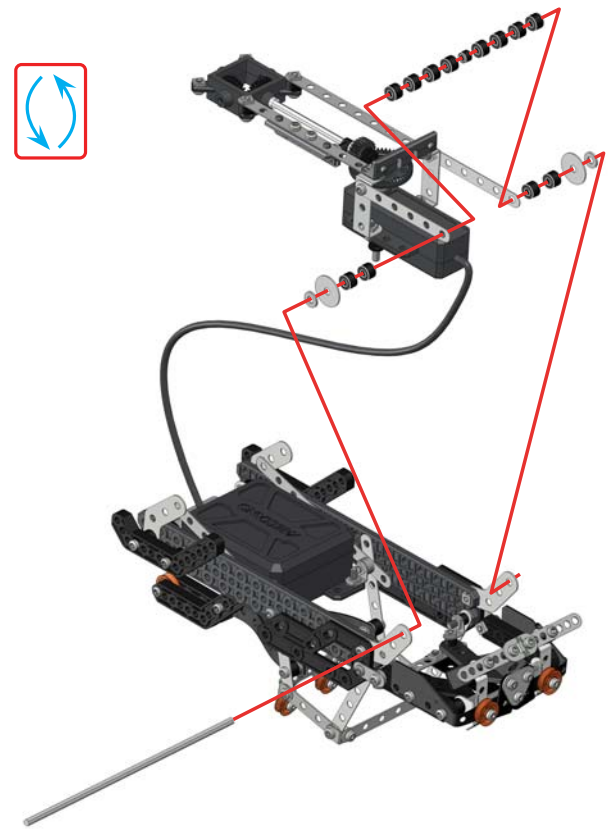
	S2	1:1
--	-----------	------------



43 (32) + (42) +

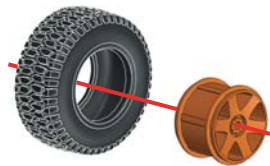
	165 mm 6 1/2"	x1
		x12
		x2
		x1
		x2

		A238	1:1
		A338	



44

	x4
	x4



x4



45 (43) + (44) +



	x4
	x2

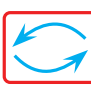


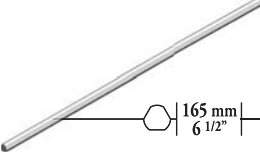
		A238	1:1
--	---	-------------	-----





46

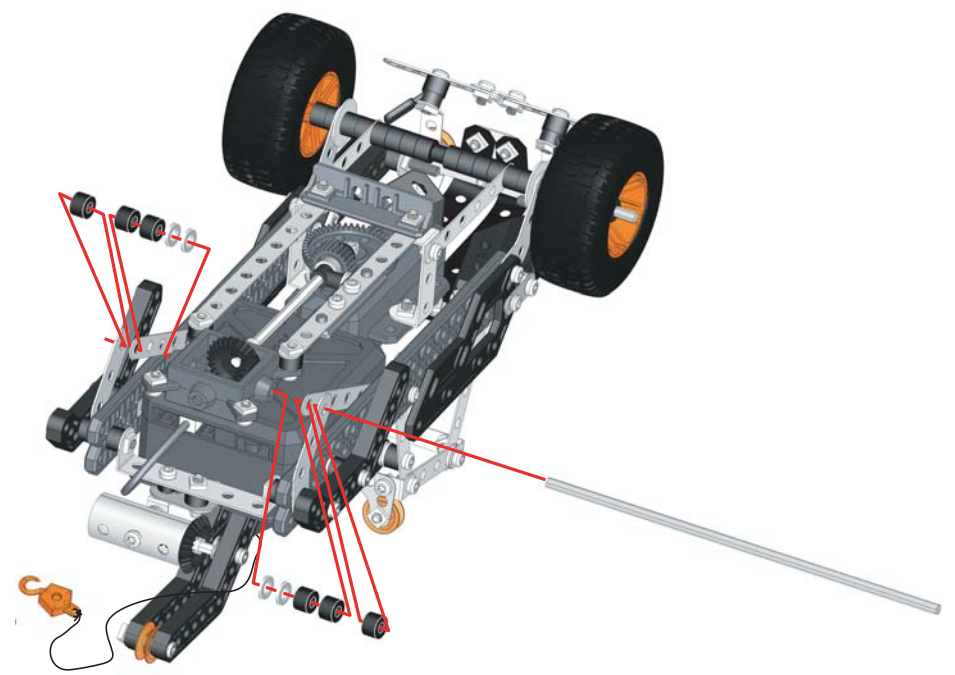
	x6
	x4





165 mm
6 1/2" x1

		A238	1:1
---	---	-------------	-----



47 (44) + (46) +

- x4
- x2
- x2

		A238	1:1
--	---	------	-----

