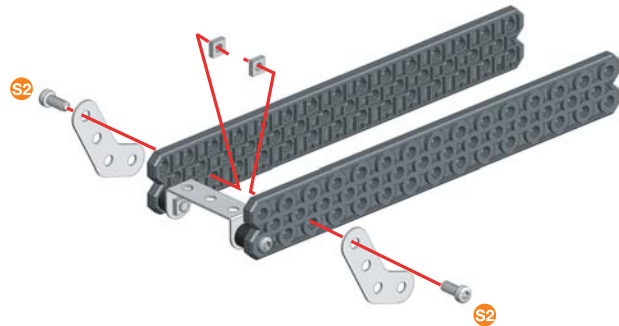




2

	x2
	x2 9,5 mm 3/8"
	x2

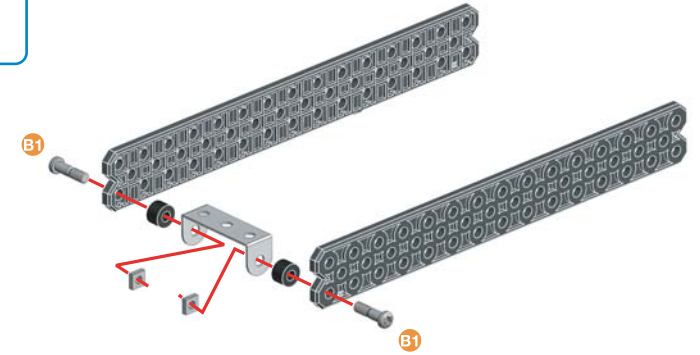
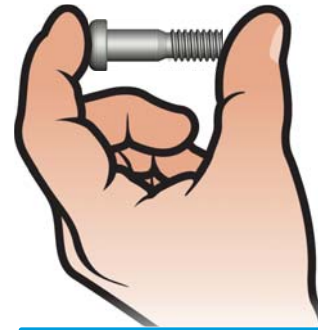
	1:1 S2
--	-----------------



1

	x2
	x1
	x2 14,7 mm 37/64"
	x2
	x2

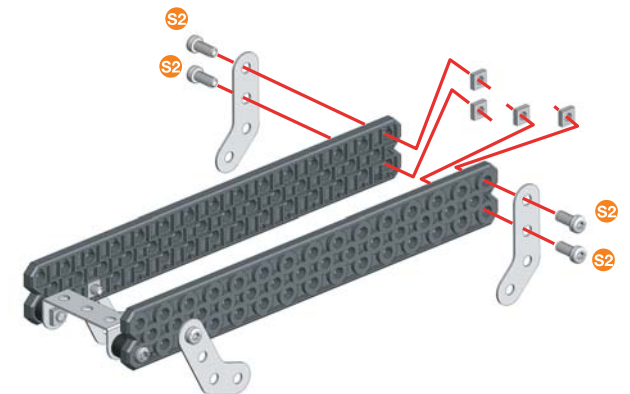
	1:1 B1
	A238



3

	x2
	x4 9,5 mm 3/8"
	x4

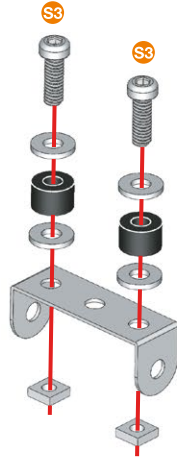
	1:1 S2
--	-----------------



4

- x1
- x2
- x2
- x2
- x4

- S3
- A238
- A238
- 1:1

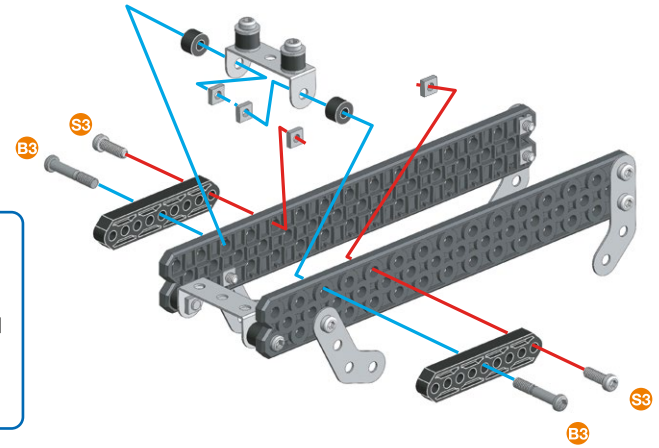


5

3 + 4 +

- x2
- x2
- x2
- x2
- x4

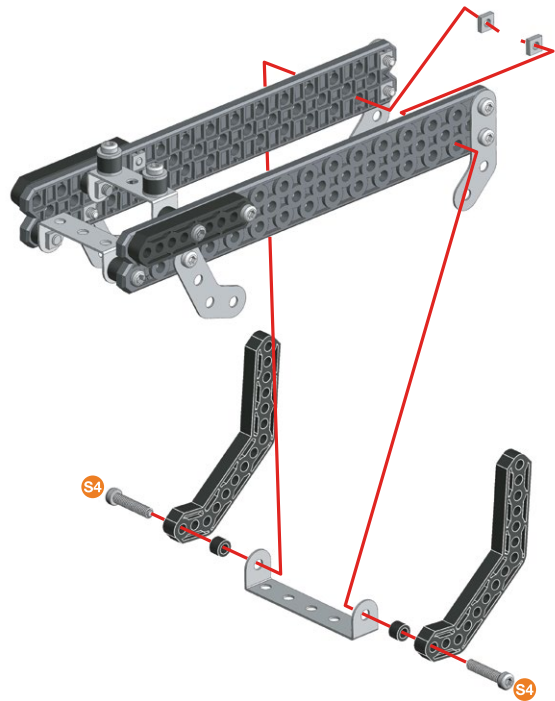
- B3
- S3
- A238
- A238
- 1:1



6

- x2
- x1
- x2
- x2
- x2

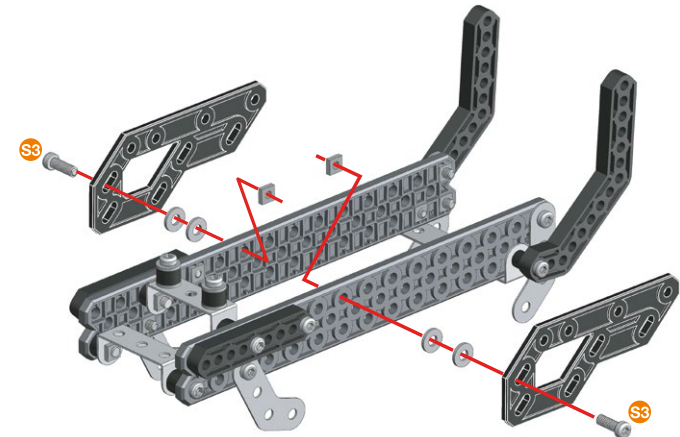
- S4
- A338
- A338
- 1:1







7



- x2
- x2
- x2
- x4

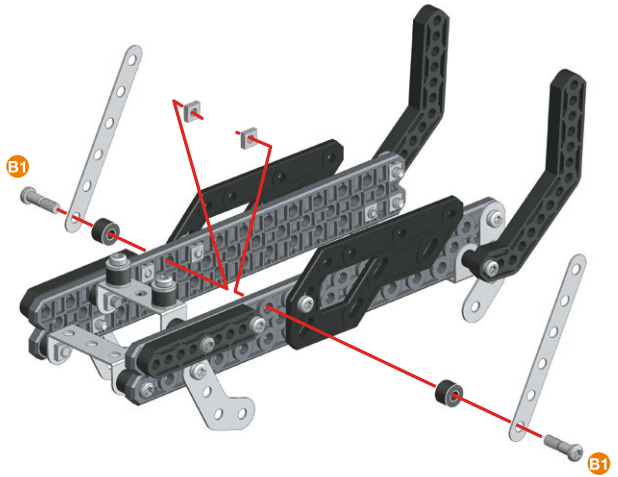
- S3
- 1:1







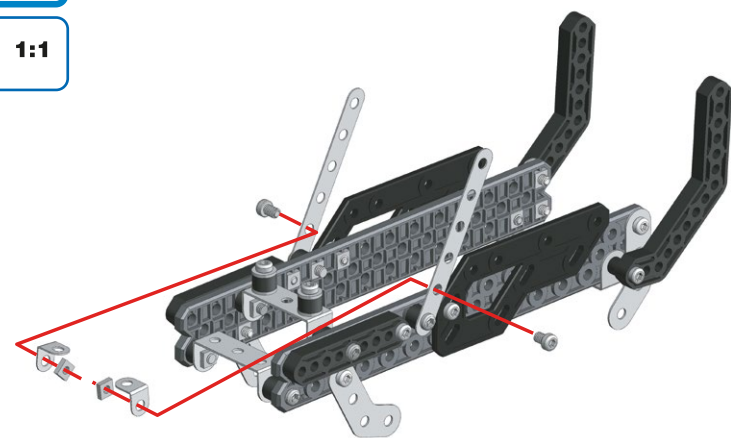
8




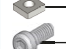

-  **x2**
-  **x2**
-  **B1** | 14,7 mm | **x2**
37/64"
-  **x2**

-  **B1**
-  **A238**
- 1:1**

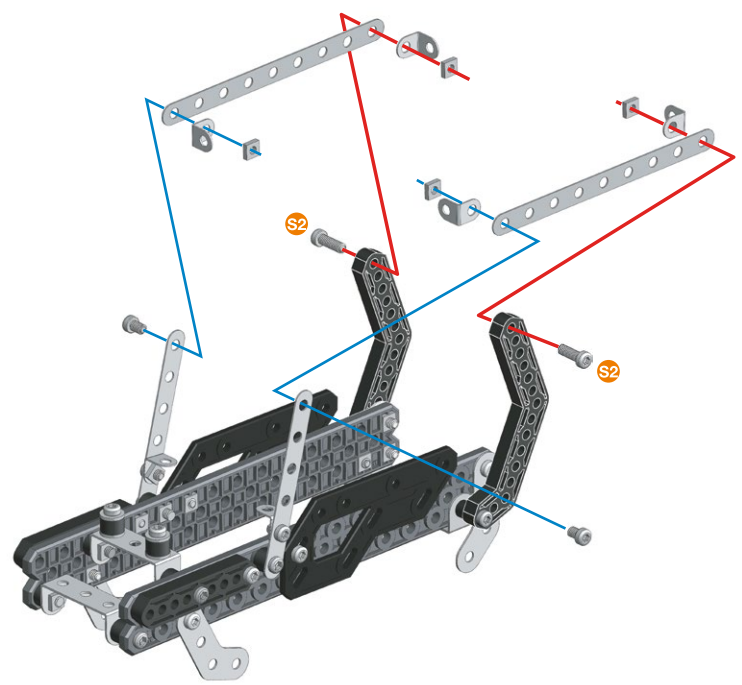
**9**


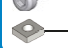


-  **x2**
-  **S1** | 5,8 mm | **x2**
15/64"
-  **x2**
-  **S1** | **1:1**

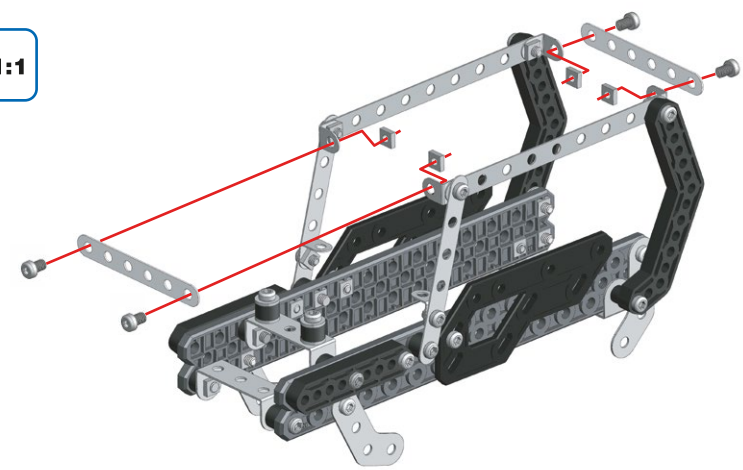
**10**

-  **x2**
-  **x4**
-  **S1** | 5,8 mm | **x2**
15/64"
-  **x4**
-  **S2** | 9,5 mm | **x2**
3/8"




-  **S2**
-  **S1**
- 1:1**

**11**

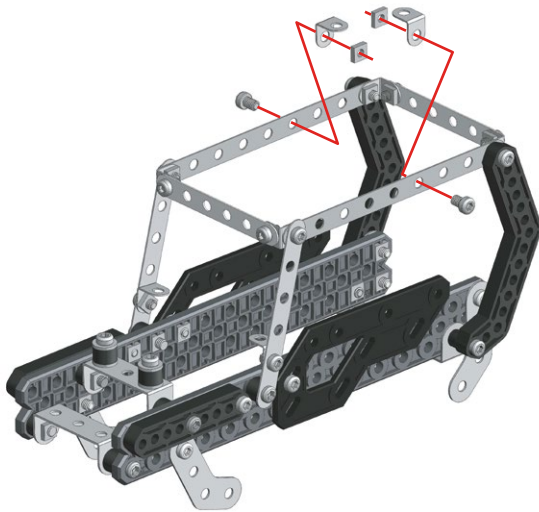
-  **x2**
-  **S1** | 5,8 mm | **x4**
15/64"
-  **x4**
-  **S1** | **1:1**







12

-  **x2**
-  | 5,8 mm | **x2**
15/64"
-  **x2**

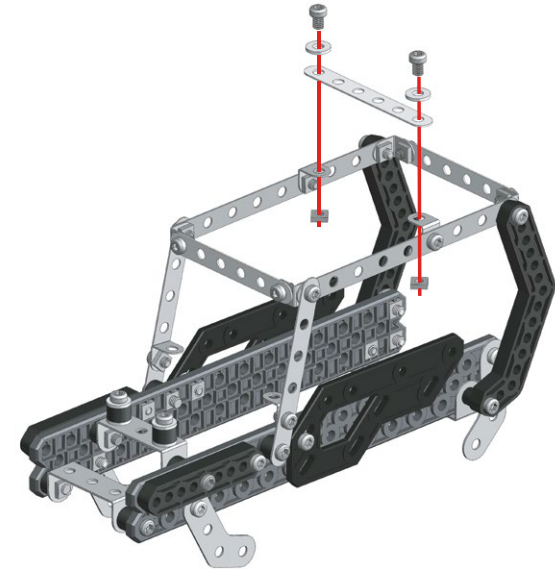
-  **1:1**







13

-  **x1**
-  | 5,8 mm | **x2**
15/64"
-  **x2**
-  **x2**

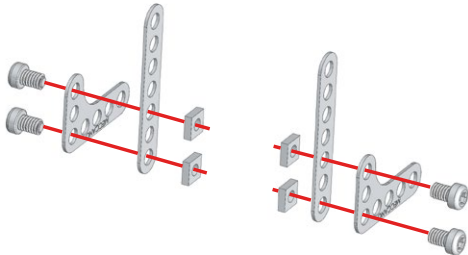
-  **1:1**



14




-  **x2**
-  **x2**
-  | 5,8 mm | **x4**
15/64"
-  **x4**

-  **1:1**

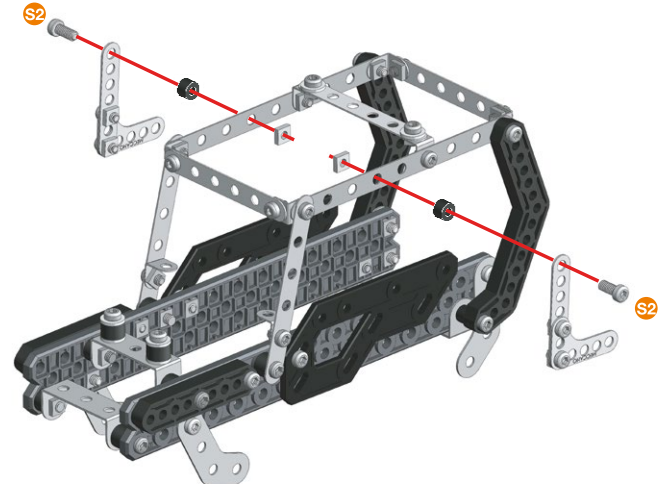


15




13 + 14 +

-  | 9,5 mm | **x1**
3/8"
-  **x1**
-  **x1**

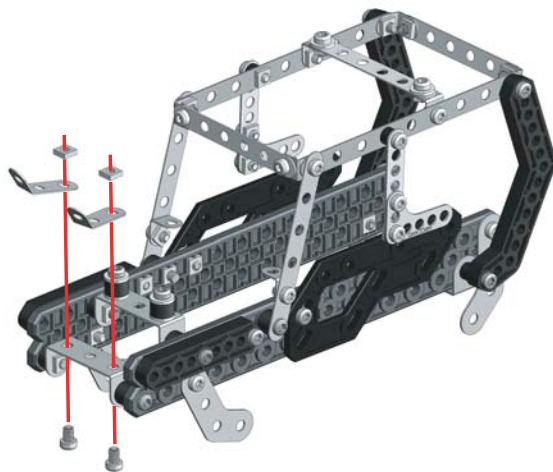
-  **1:1**
-  **A338**






16

-  **x2**
-  **x2**
-  **x2**

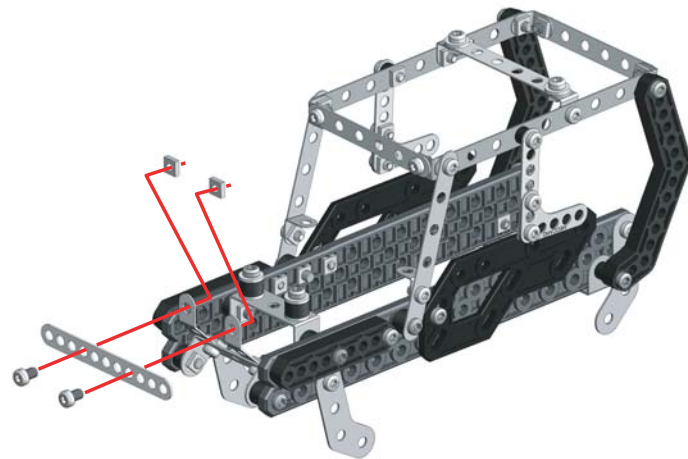
-  **S1** **1:1**







17

-  **x1**
-  **x2**
-  **x2**

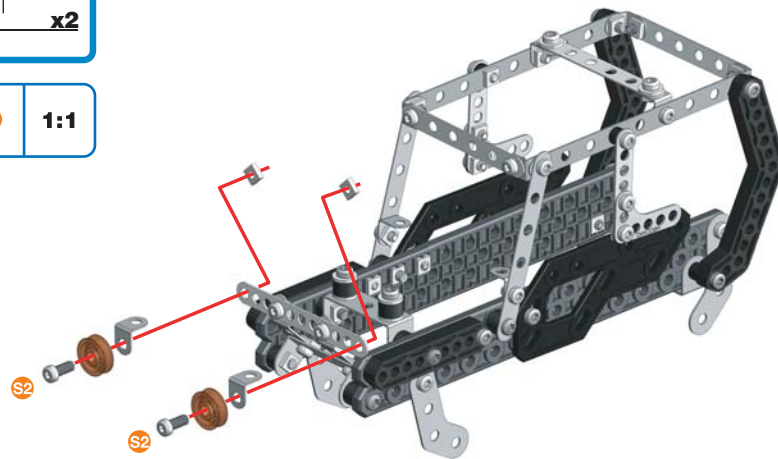
-  **S1** **1:1**








18

-  **x2**
-  **x2**
-  **x2**
-  **x2**

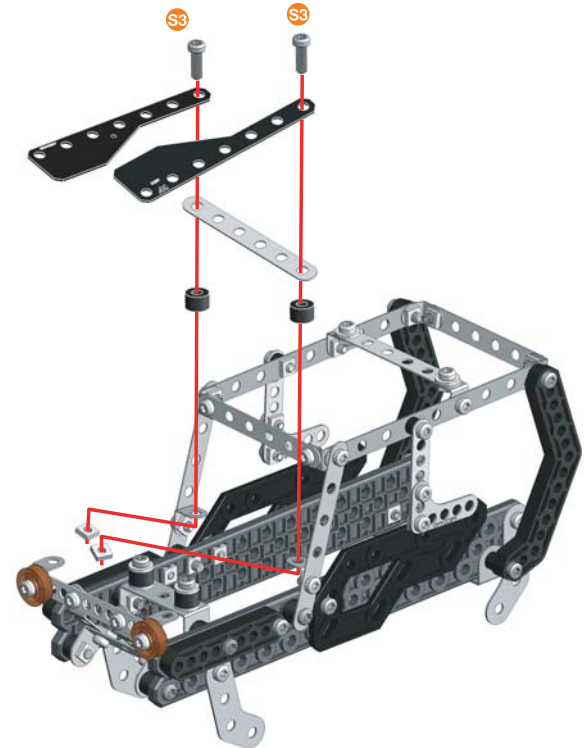
-  **S2** **1:1**






19

-  **x2**
-  **x1**
-  **x2**
-  **x2**
-  **x2**

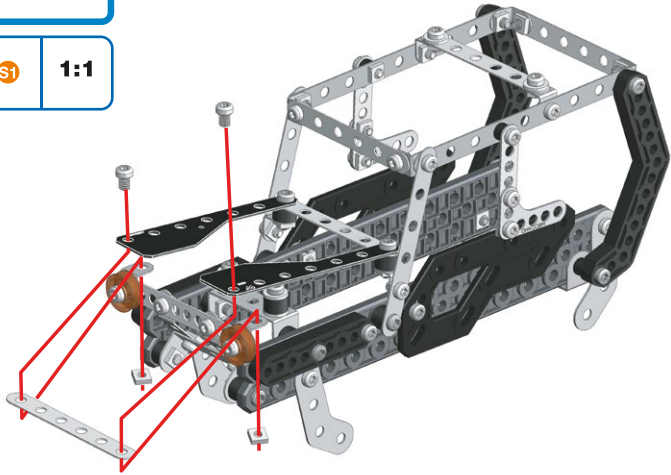
-  **S3** **1:1**
-  **A238**
-  **A238**



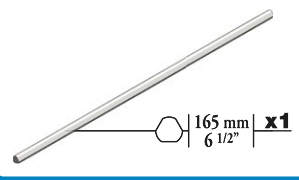
20

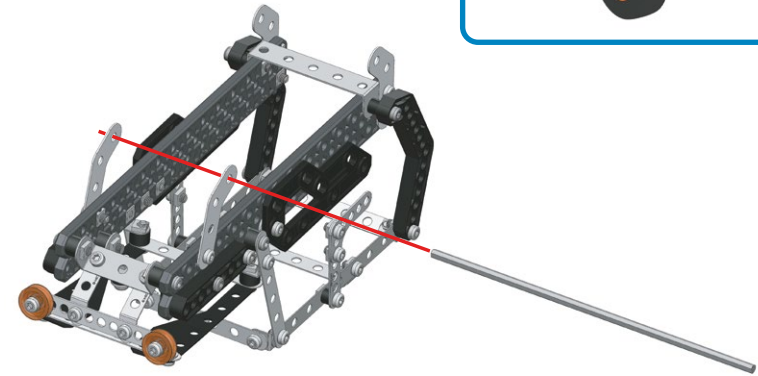
-  **x1**
-  **x2** | 5,8 mm | 15/64"
-  **x2**

-  **x1** | 1:1





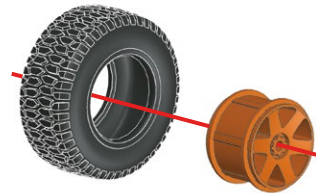
21

-  **x1** | 165 mm | 6 1/2"

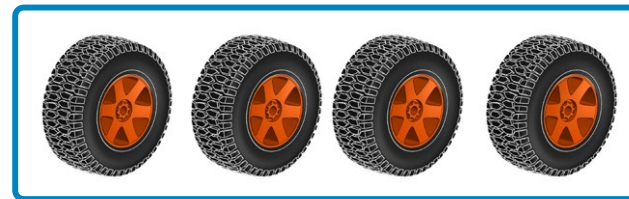


22

-  **x4**
-  **x4**



x4

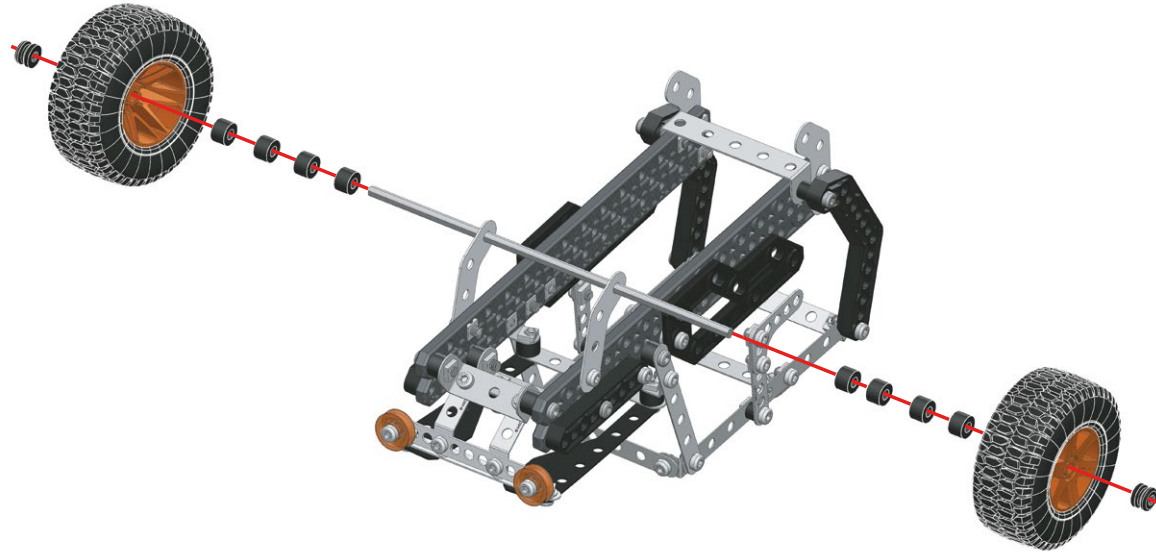


23

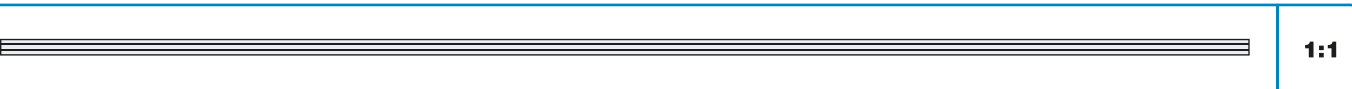
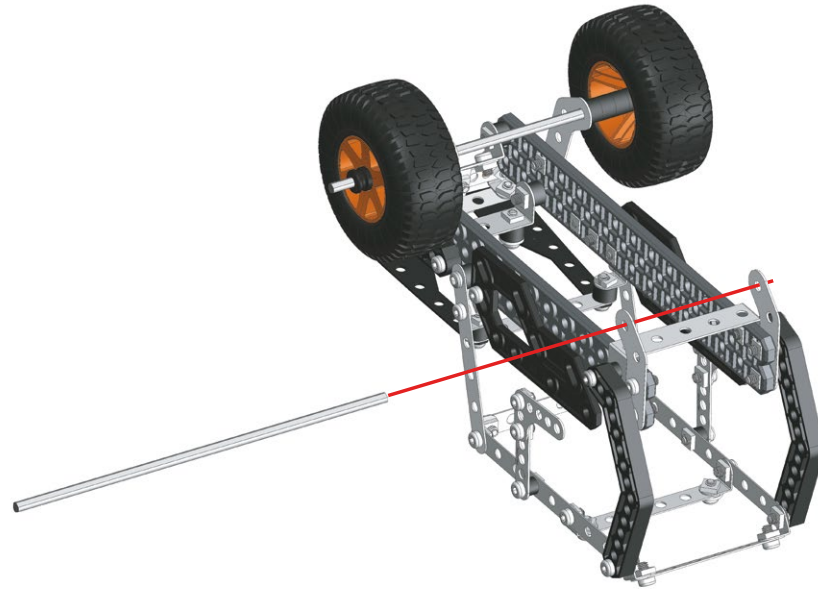
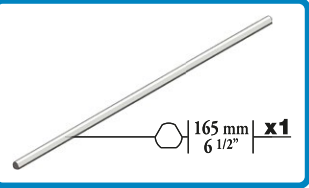
21 + 22 +

- x2
- x8

- A238** 1:1






24



25

22+ 24+

-  x2
-  x8
-  x6

-   A238 1:1

