



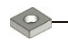


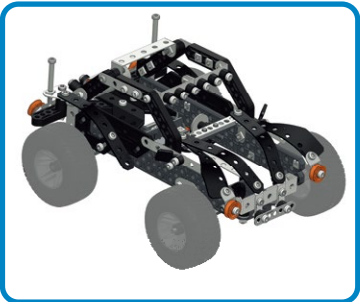

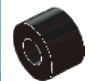



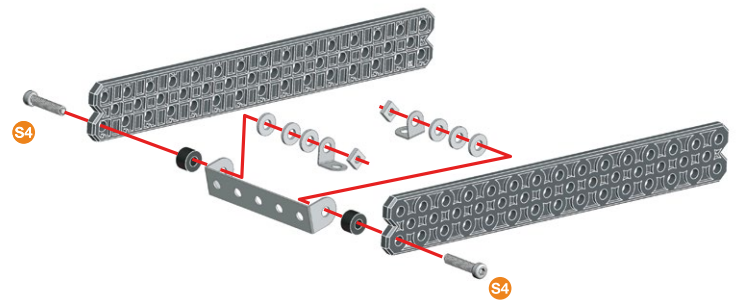
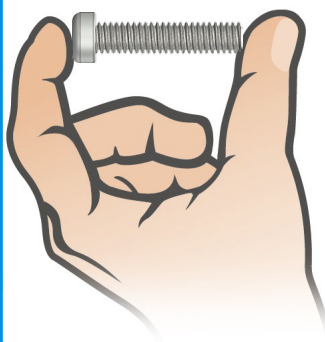


1



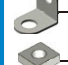



-  x2
-  x1
-  19 mm | 3/4" x2
-  x2
-  x2
-  x6
-  x2



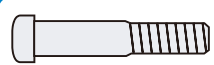
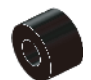



-  S4
 -  A238
 -  A238
- 1:1**

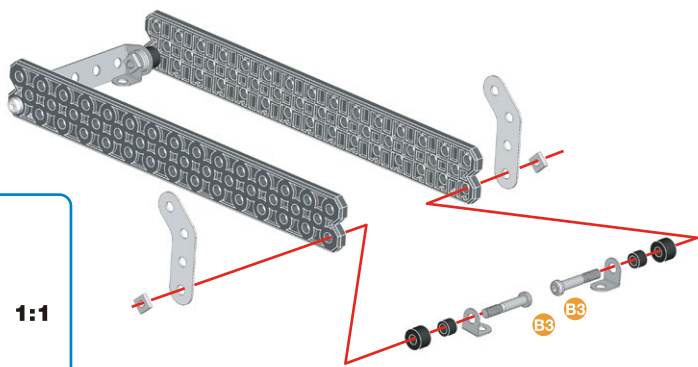


2






-  x2
-  23 mm | 15/16" x2
-  x2
-  x2
-  x2
-  x2



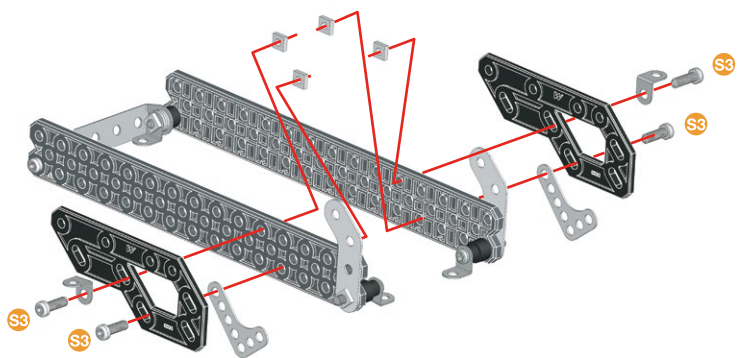
-  S3
 -  A238
 -  A238
 -  A338
 -  A338
- 1:1**






3

-  x2
-  x2
-  x2
-  x4
-  12 mm | 1/2" x4

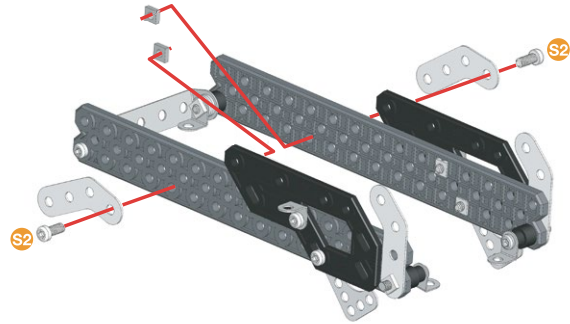
-  S3
- 1:1**





4

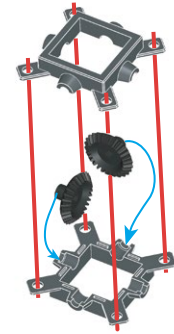
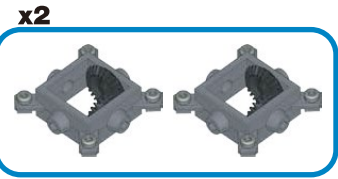
-  **x2**
-  **x2** | 9,5 mm | 3/8"
-  **x2**

-  **x1** | **S2**










5

-  **x4**
-  **x4**

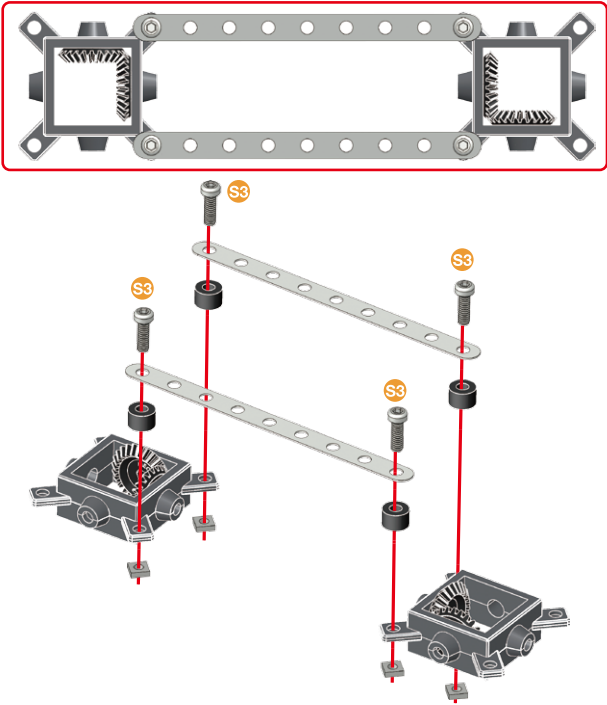


6



-  **x2**
-  **x4** | 12 mm | 1/2"
-  **x4**
-  **x4**

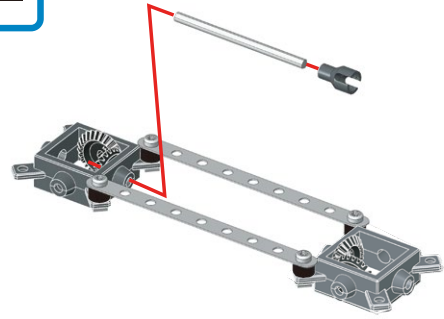
-  **x1** | **S3**
-  **x1**
-  **A238**

1:1






7

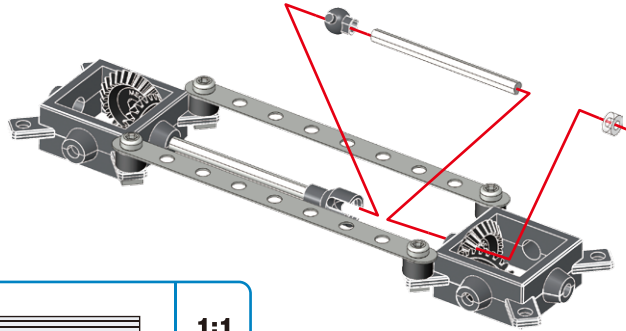
-  **x1** | 60 mm | 2 3/8"
-  **x1**



1:1

8





-  50 mm $\frac{1}{2}$ " | x1
-  | x1
-  | x1






1:1

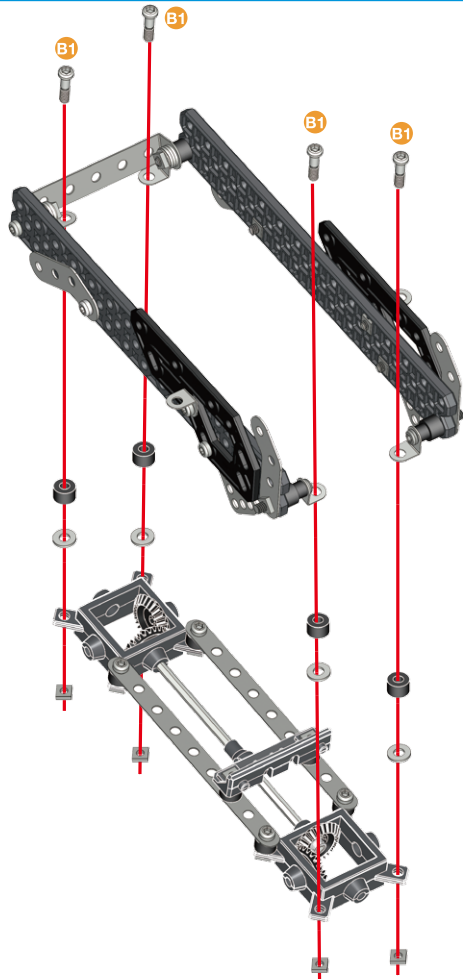
10

4 + 9 +





-  B1 | 14,7 mm $\frac{37}{64}$ " | x4
-  | x4
-  | x4
-  | x4

-  B1
-  |  A238

1:1

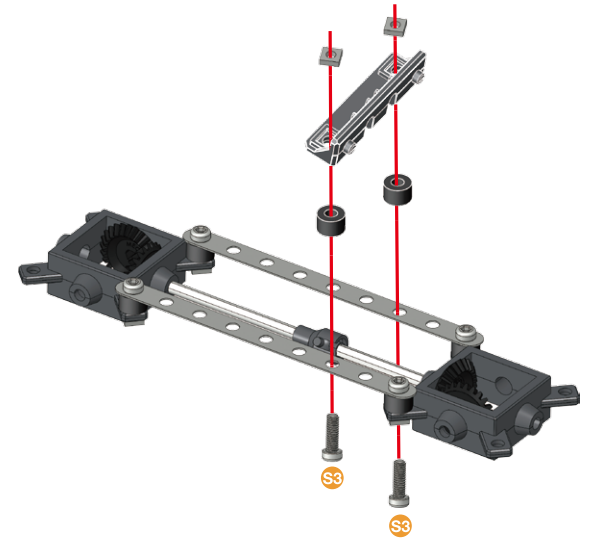


9







-  | x1
-  S2 | 12 mm $\frac{1}{2}$ " | x2
-  | x2
-  | x2



-  S3
-  |  A238

1:1

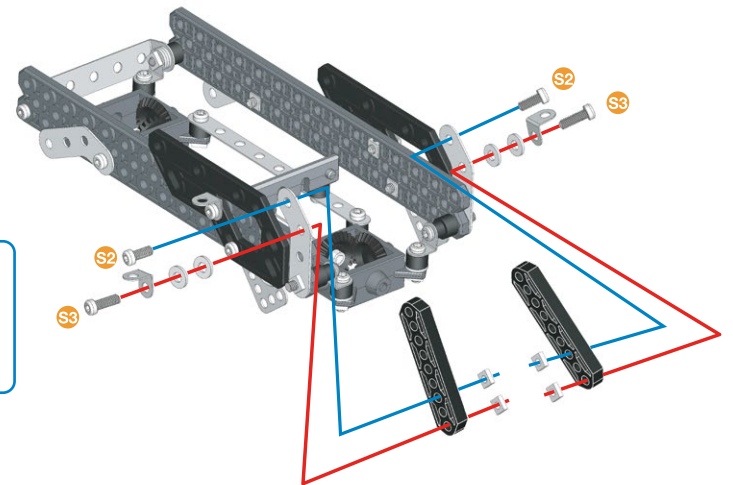


11





-  | x2
-  S2 | 12 mm $\frac{1}{2}$ " | x2
-  S2 | 9,5 mm $\frac{3}{8}$ " | x2
-  | x4
-  | x4
-  | x4

-  S2
-  S3

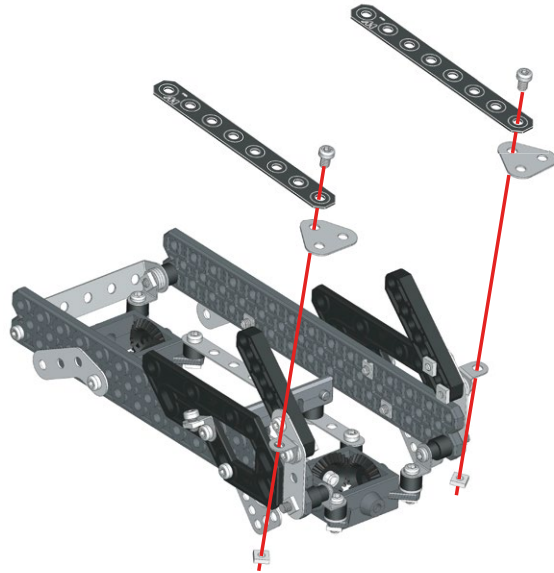
1:1





12

-  **x2**
-  **x2**
-  **x2**
-  **x2**

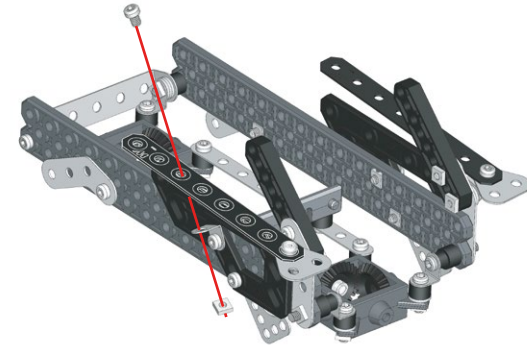
-  **S1** **1:1**




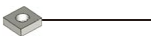
13

-  **S1** **5.8 mm** **15/64"** **x1**
-  **x1**

-  **S1** **1:1**

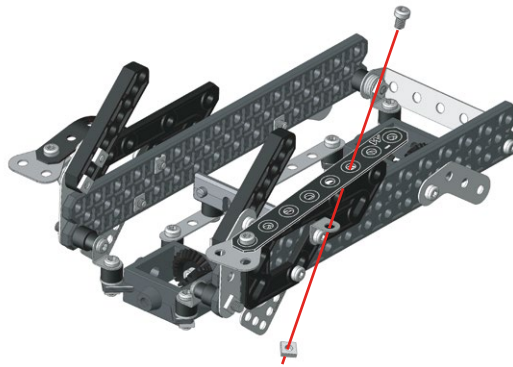


14


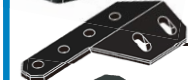
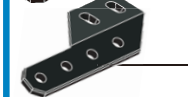

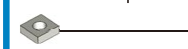
-  **S1** **5.8 mm** **15/64"** **x1**
-  **x1**



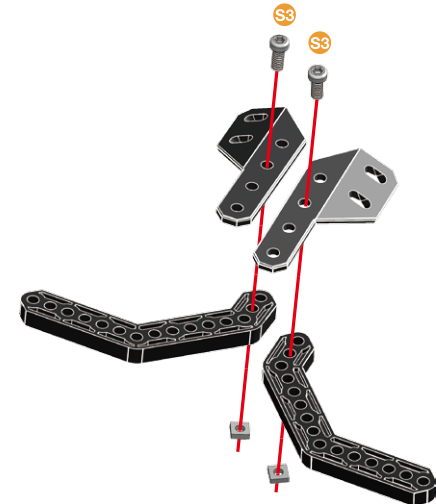
-  **S1** **1:1**







15

-  **x2**
-  **x1**
-  **x1**
-  **S3** **12 mm** **1/2"** **x2**
-  **x2**

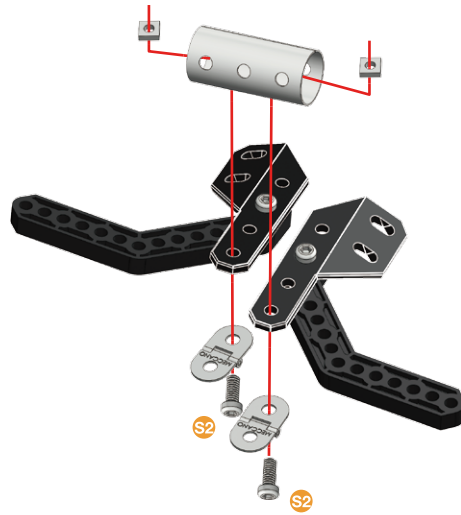
-  **S3** **1:1**







16


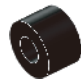

-  x1
-  S2 | 9,5 mm | 3/8" | x2
-  x2
-  x2

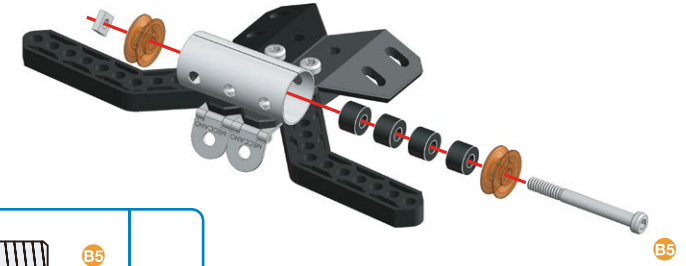
-  S2 | 1:1



17




-  B5 | 38,1 mm | 1 1/2" | x1
-  x2
-  x1
-  x4

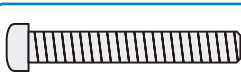
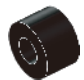

-  B5 | 1:1
-   A238

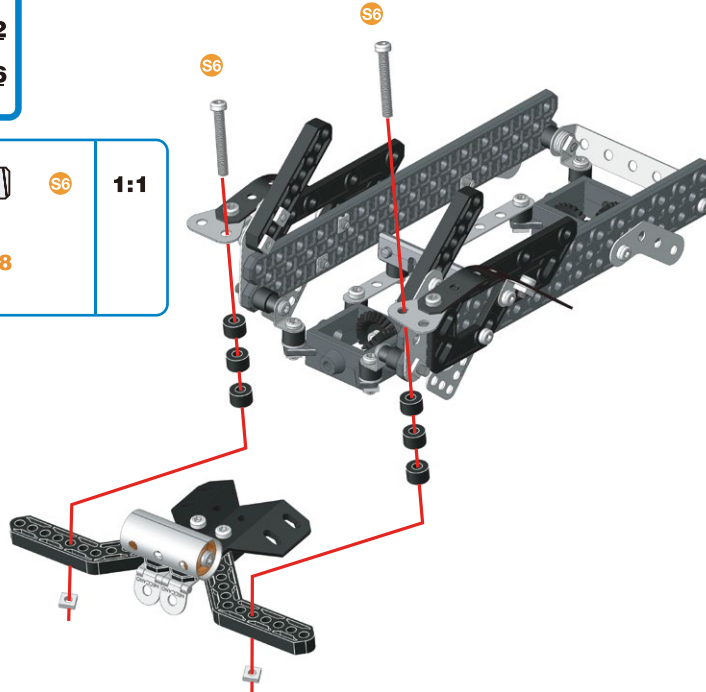


18



14 + 17 +

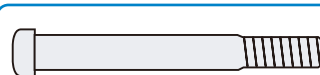
-  S6 | 28 mm | 1 1/8" | x2
-  x2
-  x6

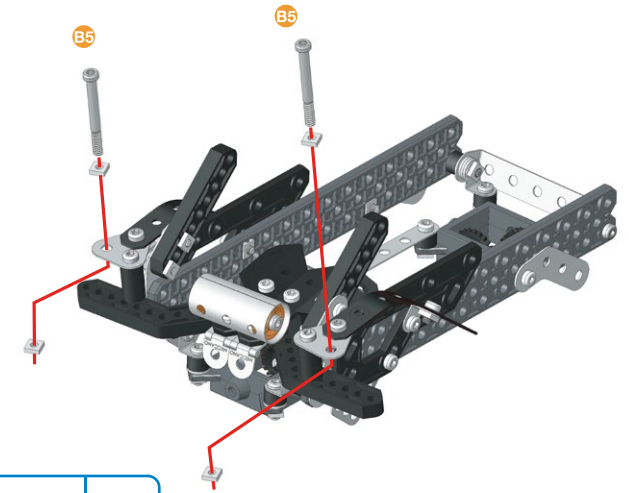
-  S6 | 1:1
-   A238






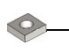


19



-  B5 | 38,1 mm | 1 1/2" | x2
-  x4

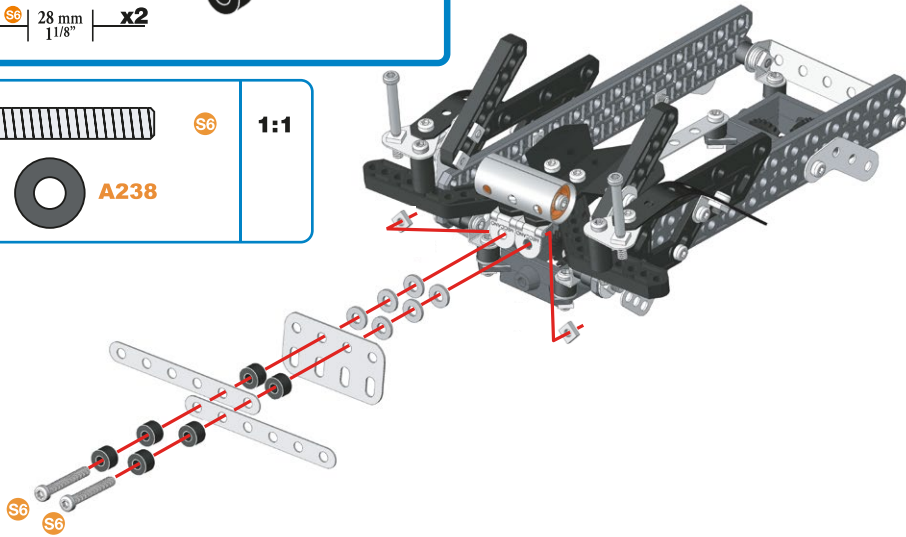
-  B5 | 1:1






20

-  **x1**
-  **x2**
-  **28 mm** | **1 1/8"** **x2**
-  **x2**
-  **x6**
-  **x6**

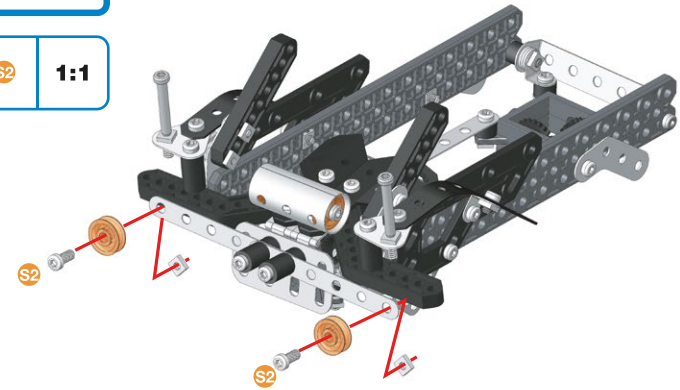
-  **1:1**
-  **A238**



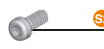


21

-  **9,5 mm** | **3/8"** **x2**
-  **x2**
-  **x2**

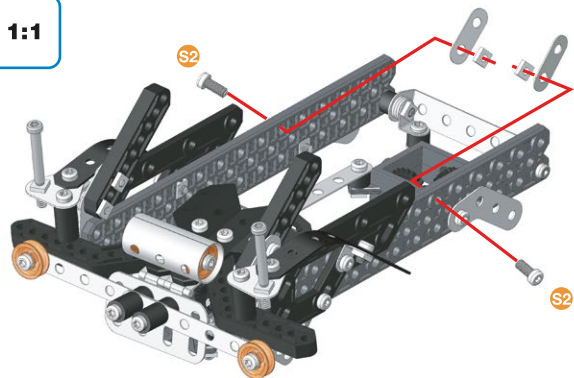
-  **1:1**







22

-  **9,5 mm** | **3/8"** **x2**
-  **x2**
-  **x2**

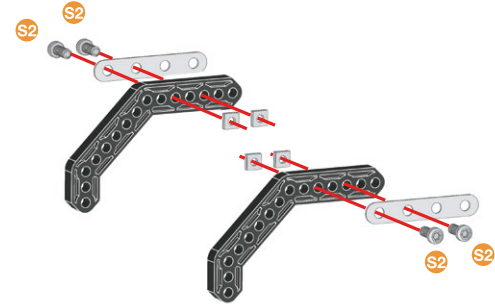
-  **1:1**








23

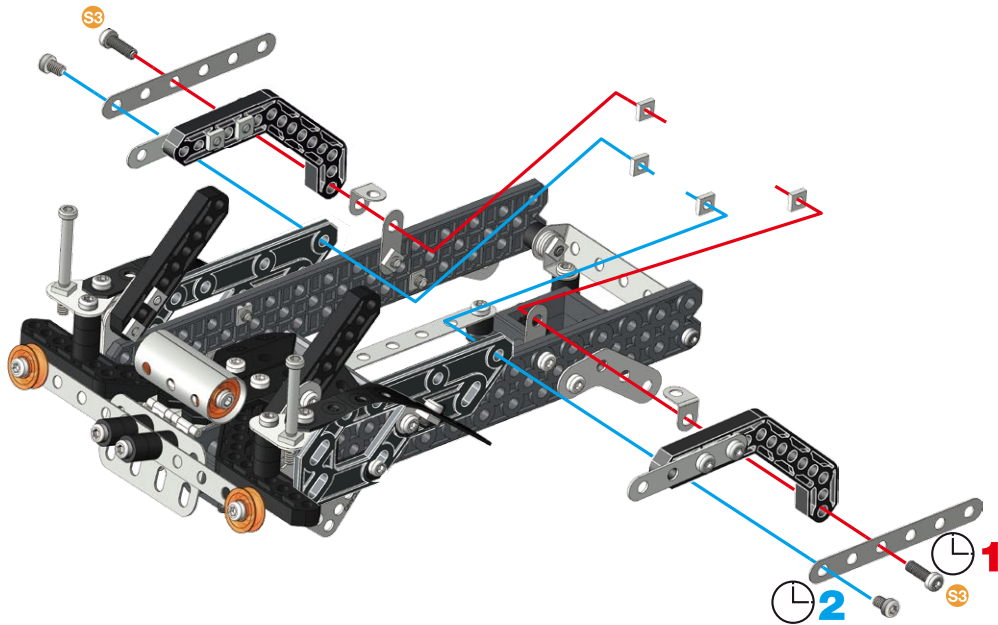
-  **x2**
-  **x2**
-  **9,5 mm** | **3/8"** **x4**
-  **x4**




-  **1:1**

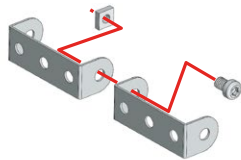






24**(22) + (23) +**

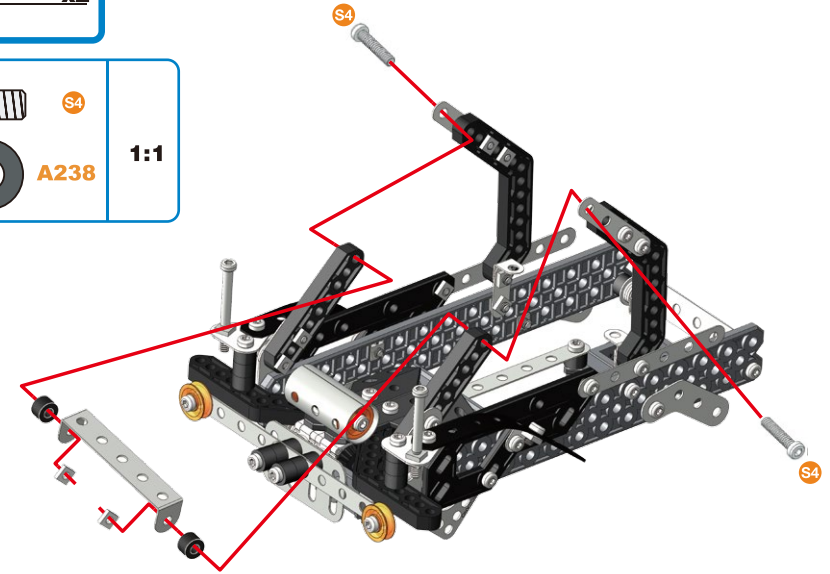
-  **x2**
-  | 12 mm | **x2**
-  | 5,8 mm | **x2**
-  **x2**
-  **x4**


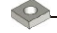

**26**

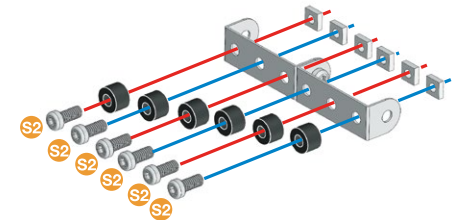
-  **x2**
-  | 5,8 mm | **x1**
-  **x1**

**25**

-  **x1**
-  | 19 mm | **x2**
-  **x2**
-  **x2**

**27**

-  | 9,5 mm | **x6**
-  **x6**
-  **x6**

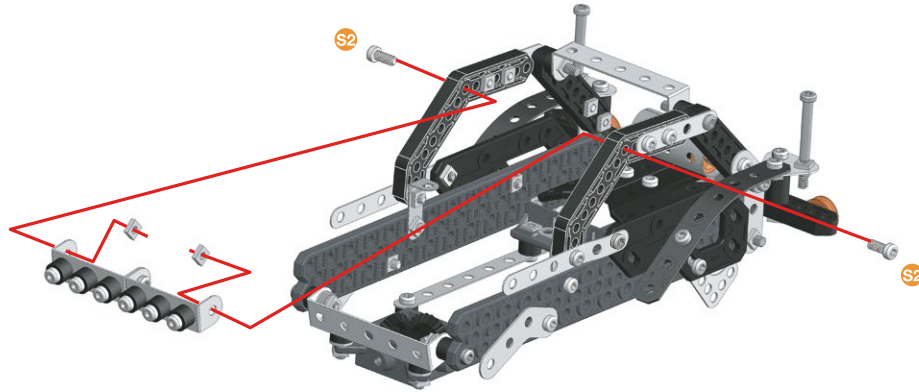


28**(25 + 27) +**

	S2 9,5 mm 3/8"	x2
		x2

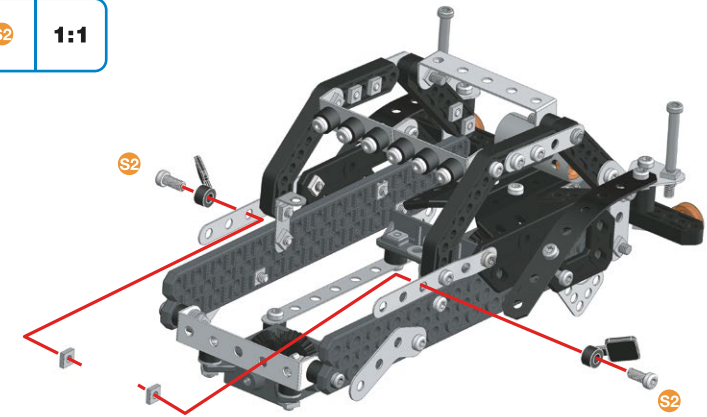





	S2	1:1
--	----	------------

**29**

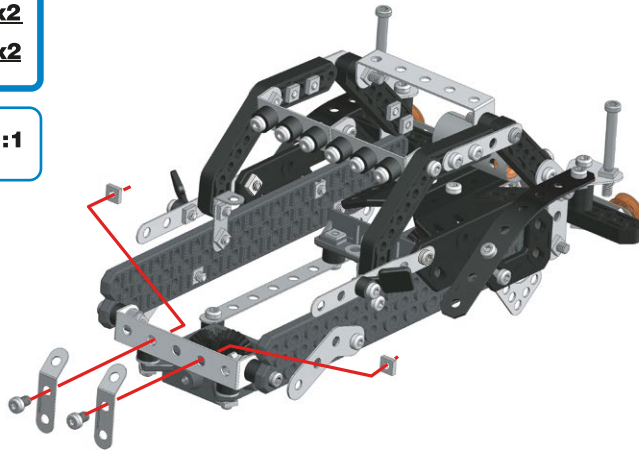
	S2 9,5 mm 3/8"	x2
		x2
		x2





	S2	1:1
---	----	------------



**30**

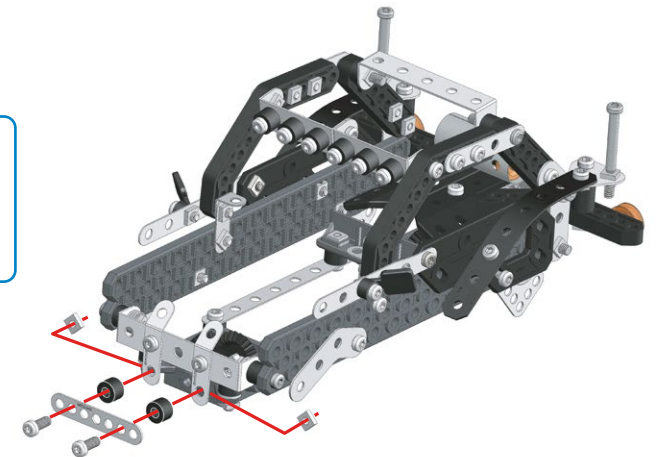
		x2
	S1 5,8 mm 15/64"	x2
		x2

	S1	1:1
--	----	------------




**31**

		x1
	S2 9,5 mm 3/8"	x2
		x2
		x2

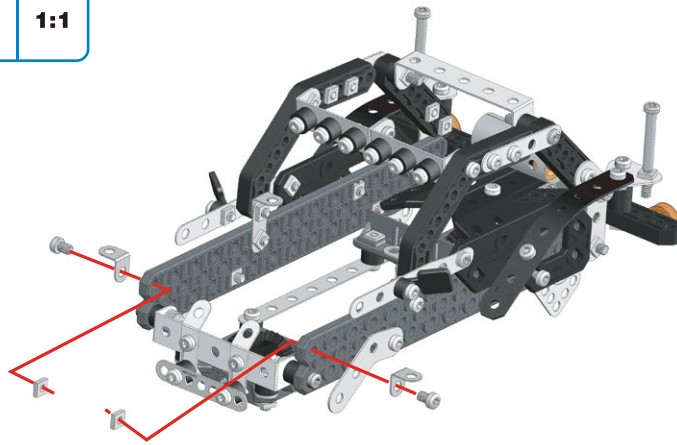
	S2	1:1
	A238	






32

-  S1 | 5,8 mm | 15/64" | **x2**
-  **x2**
-  **x2**

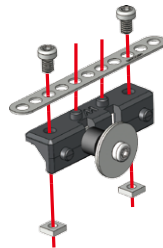
-  S1 | **1:1**









34




-  **x1**
-  S1 | 5,8 mm | 15/64" | **x2**
-  **x2**

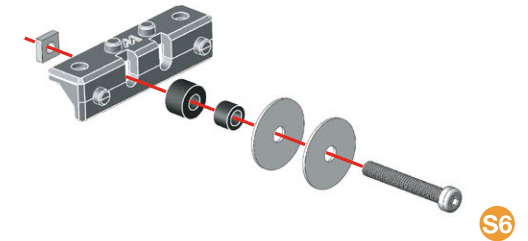
-  S1 | **1:1**



33





-  **x1**
-  S6 | 28 mm | 1 1/8" | **x1**
-  **x2**
-  **x1**
-  **x1**
-  **x1**

-  S6 | **1:1**
-  **A238**
-  **A338**

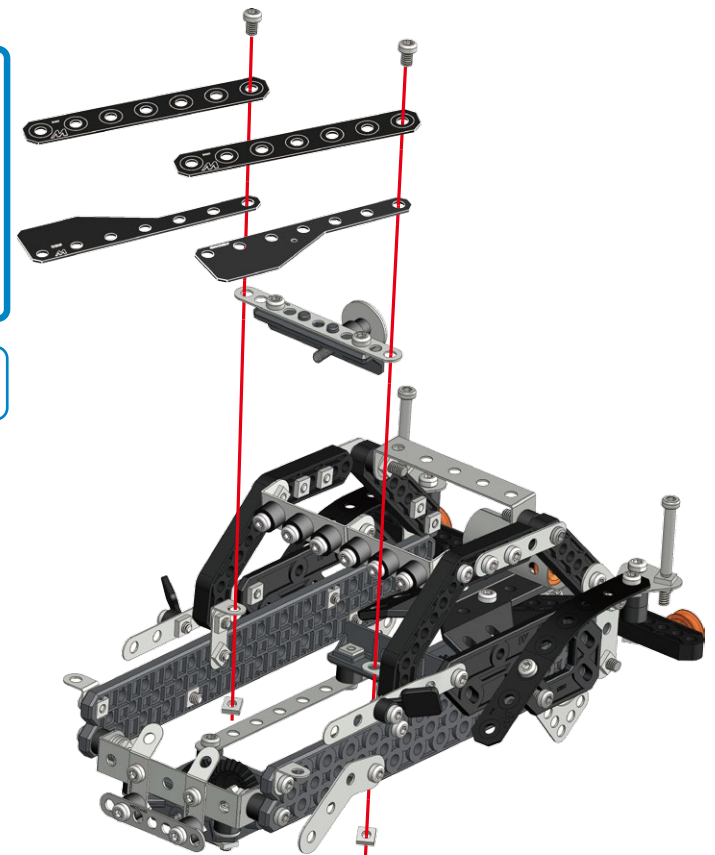


35

(32) + (34) +

-  **x2**
-  **x1**
-  S1 | 5,8 mm | 15/64" | **x2**
-  **x2**

-  S1 | **1:1**

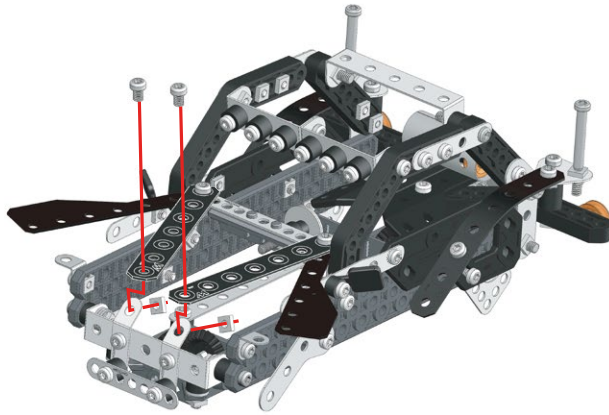


36

S1 | 5,8 mm | x2
15/64"

x2

S1 | 1:1

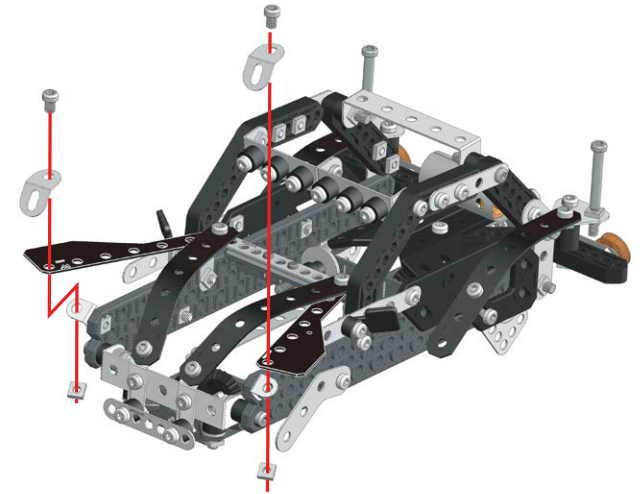


37

S1 | 5,8 mm | x2
15/64"

x2

S1 | 1:1



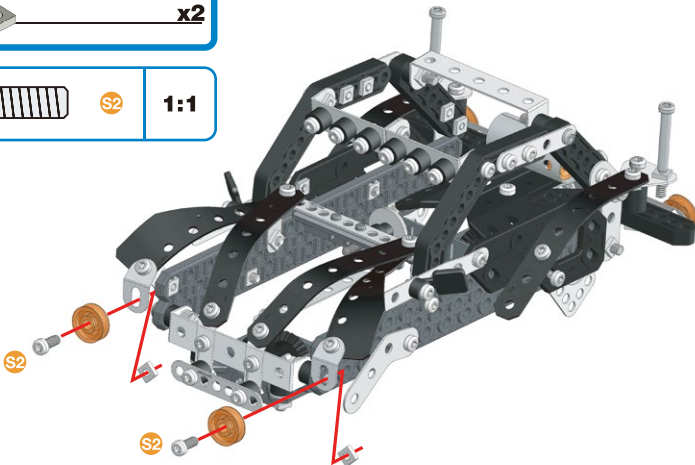
38

S2 | 9,5 mm | x2
3/8"

x2

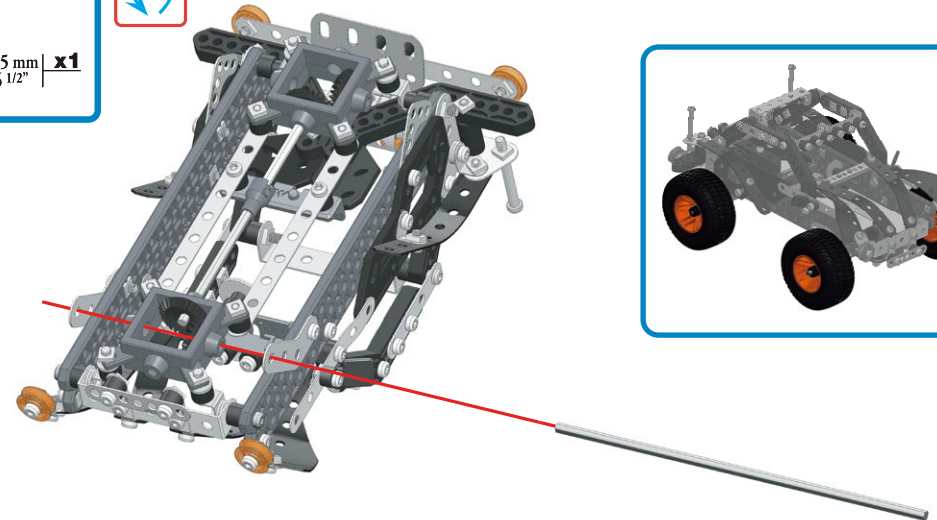
x2

S2 | 1:1



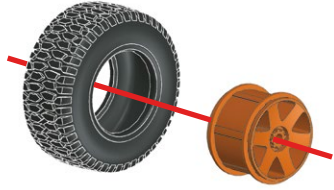
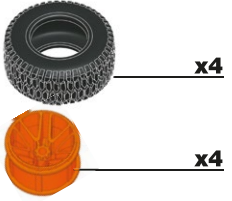
39

165 mm | x1
6 1/2"

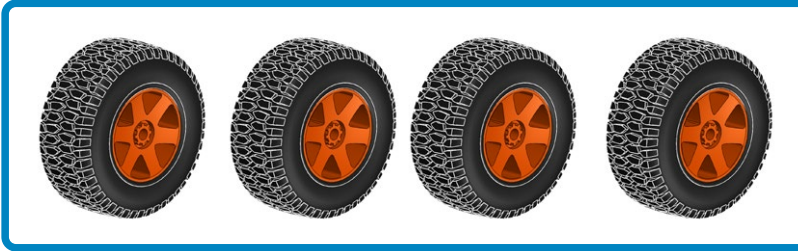


1:1

40

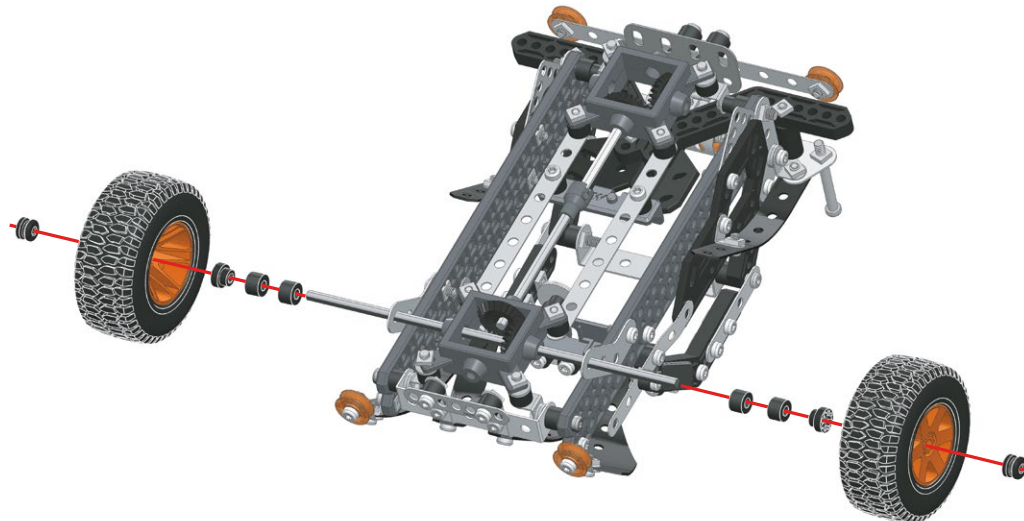
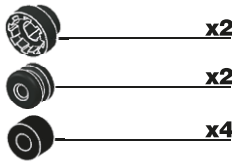


x4

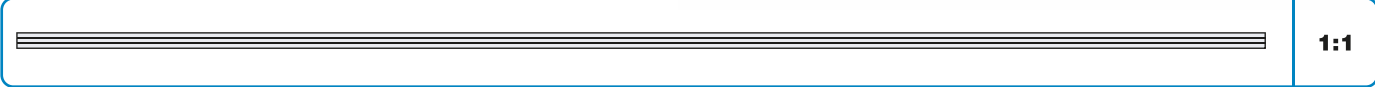
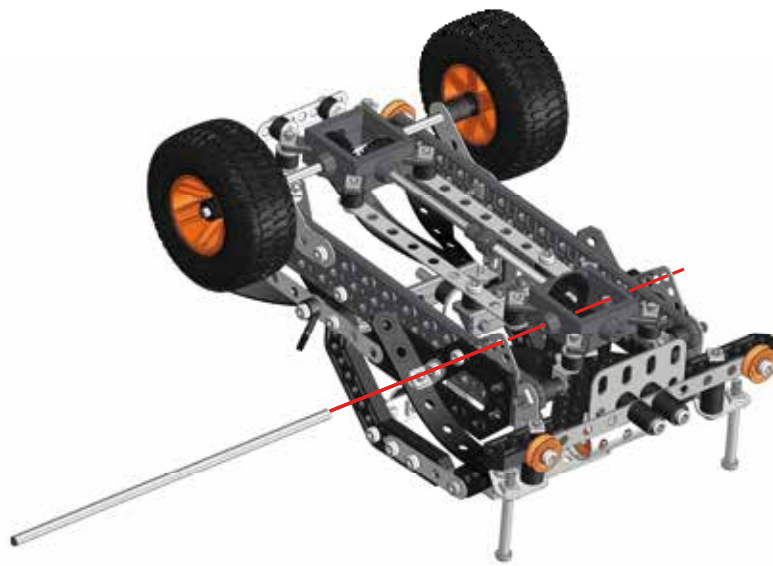
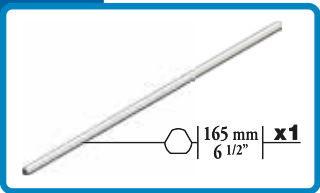


41

39 + 40 +



42



43

40 + 42 +

