


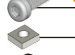


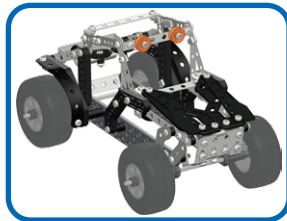



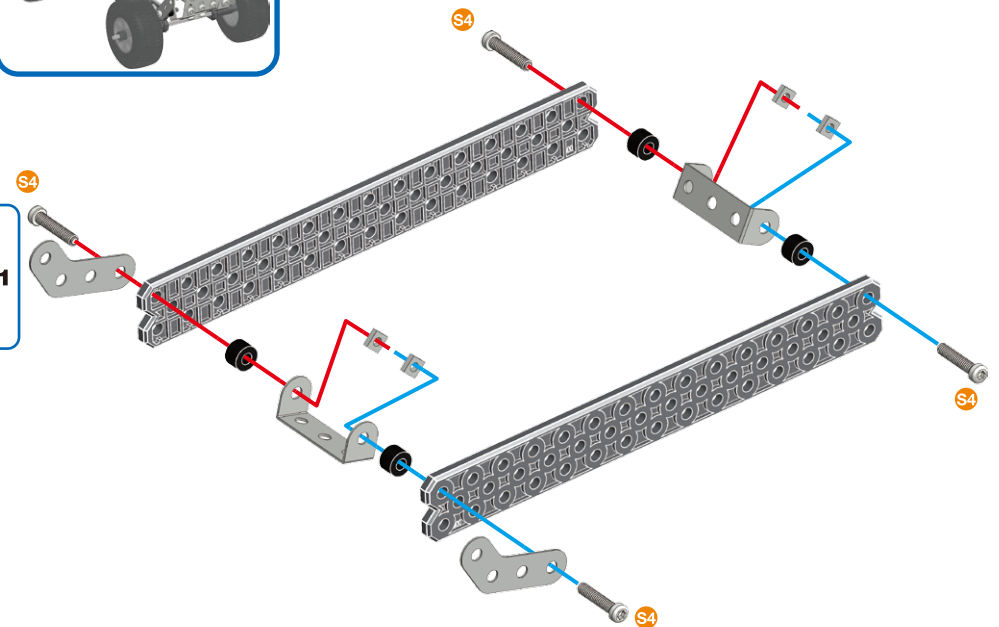
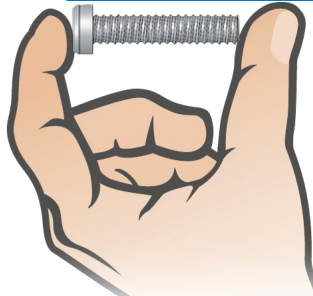



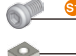

- 1**
-  **x2**
 -  **x2**
 -  **x2**
 -  **x4**
 -  **x4**
 -  **x4**



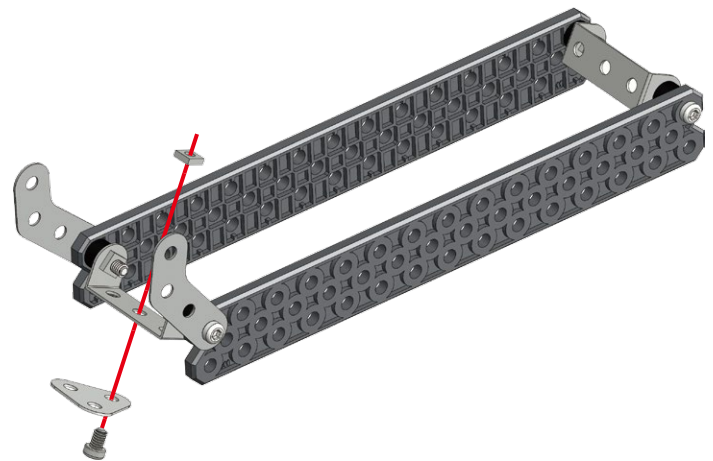
-  **S4**
-  **A238**
-  **A238**



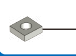
1:1



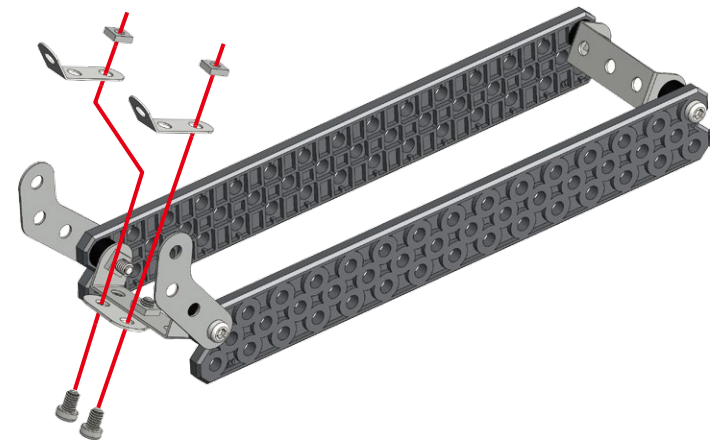
- 2**
-  **x1**
 -  **x1**
 -  **x1**

-  **S1**
- 1:1**



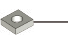


- 3**
-  **x2**
 -  **x2**
 -  **x2**

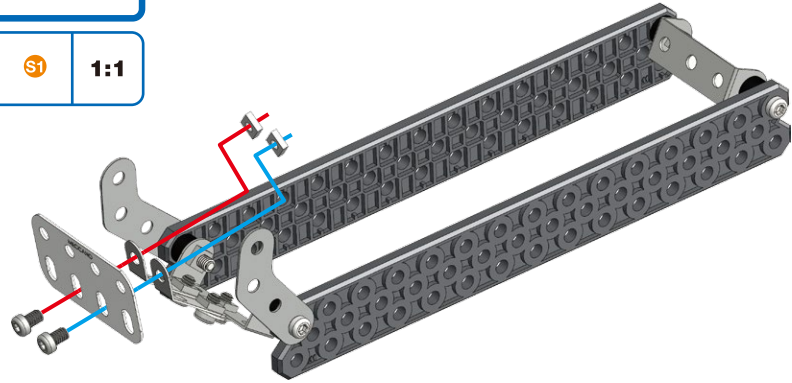
-  **S1**
- 1:1**






4

-  **x1**
-  **x2**
-  **x2**

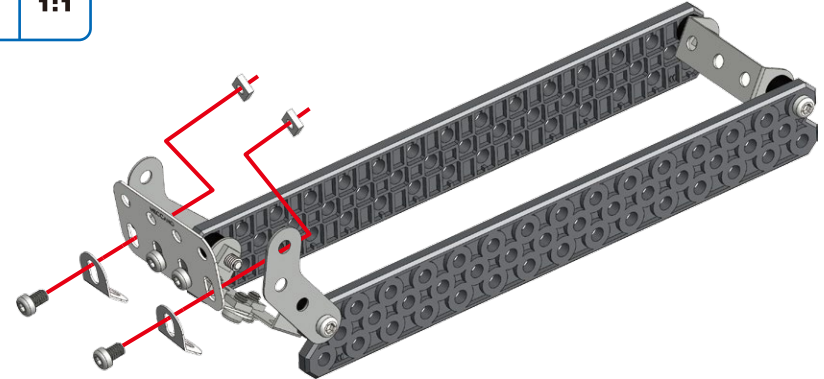
-  **S1** **1:1**



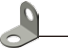


5

-  **x2**
-  **x2**
-  **x2**

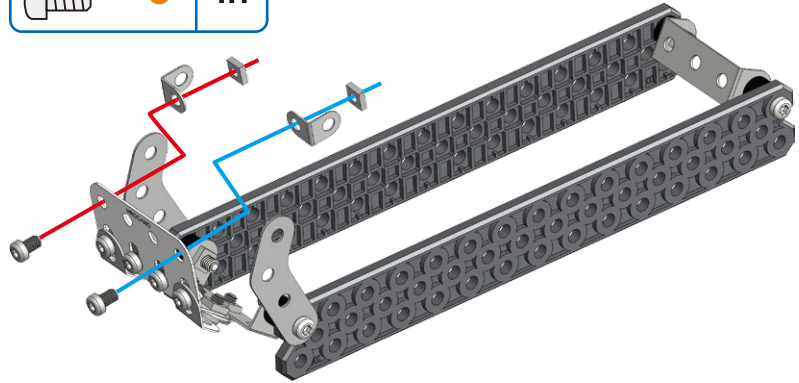
-  **S1** **1:1**



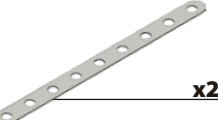




6


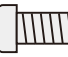

-  **x2**
-  **x2**
-  **x2**

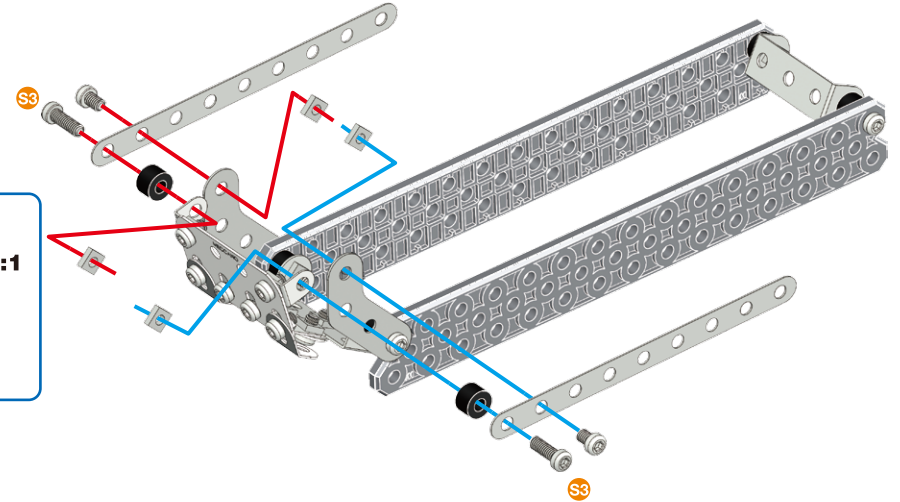
-  **S1** **1:1**



7

-  **x2**
-  **x2**
-  **x2**
-  **x4**
-  **x2**

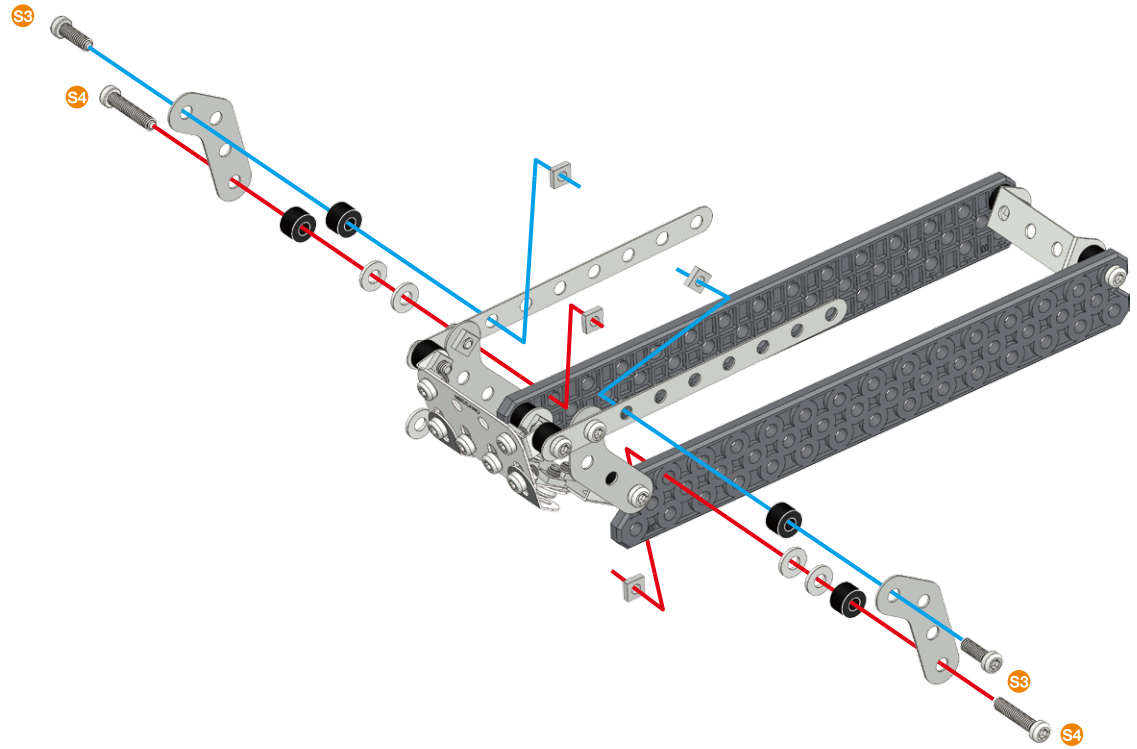
-  **S1**
-  **S3**
-  **A238**
- 1:1**



8

	x2
	x2
	x2
	x4
	x4
	x4

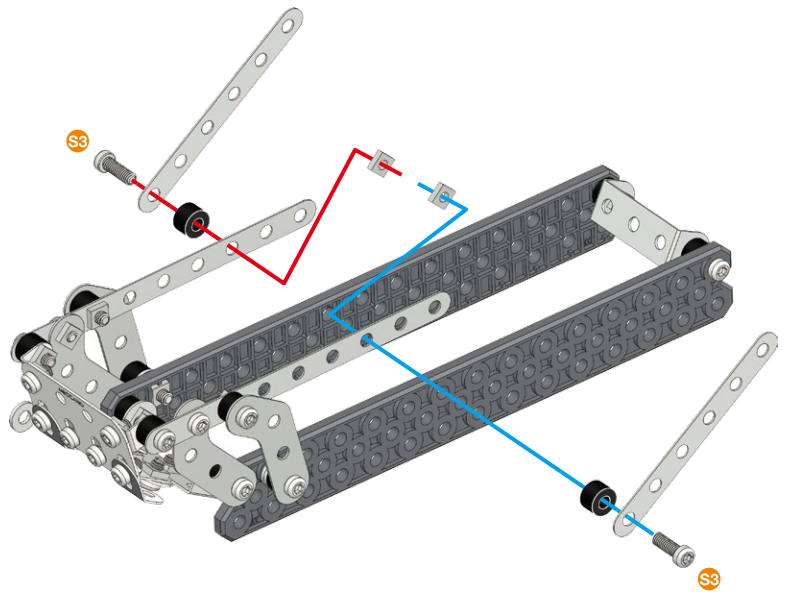
	S4	1:1
	S3	
	A238	










9





	x2
	x2
	x2
	x2

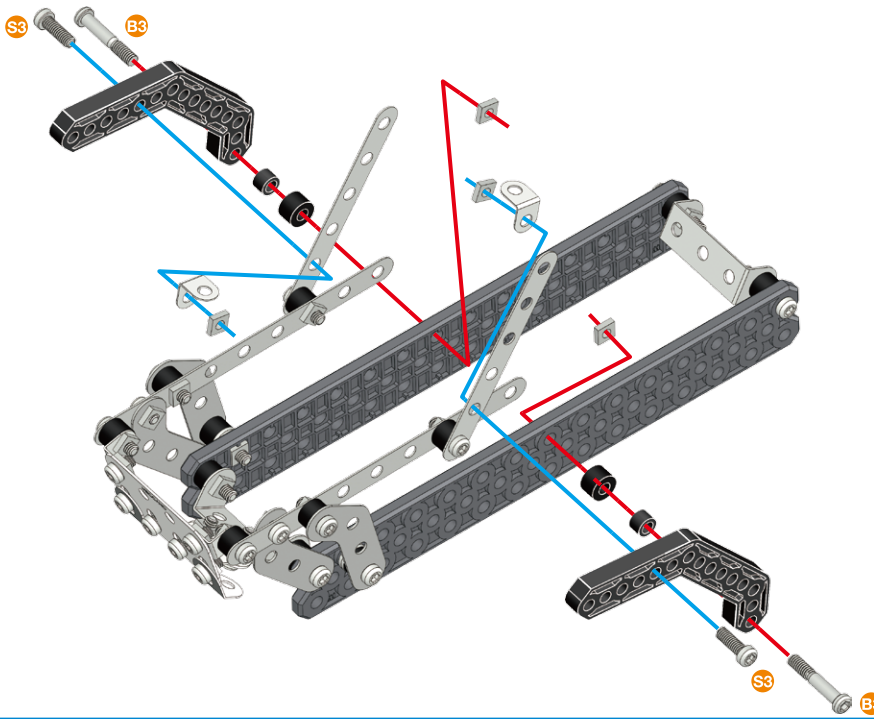
	S3	1:1
	A238	



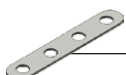



10

-  **x2**
-  **x4**
-  **x2**
-  **x2**
-  **x2**
-  **x2**
-  **x2**

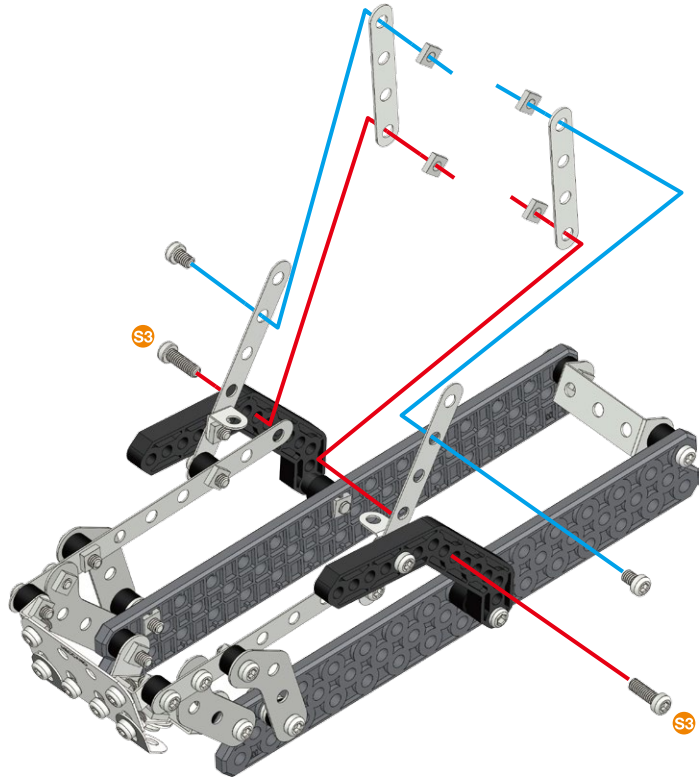
- | | | |
|---|-------------|------------|
|  | B3 | 1:1 |
|  | S3 | |
|  | A238 | |
|  | A338 | |






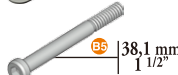

11

-  **x2**
-  **x2**
-  **x2**
-  **x4**

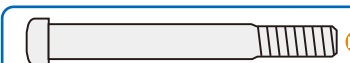
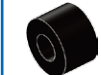
- | | | |
|---|-----------|------------|
|  | S3 | 1:1 |
|  | S1 | |

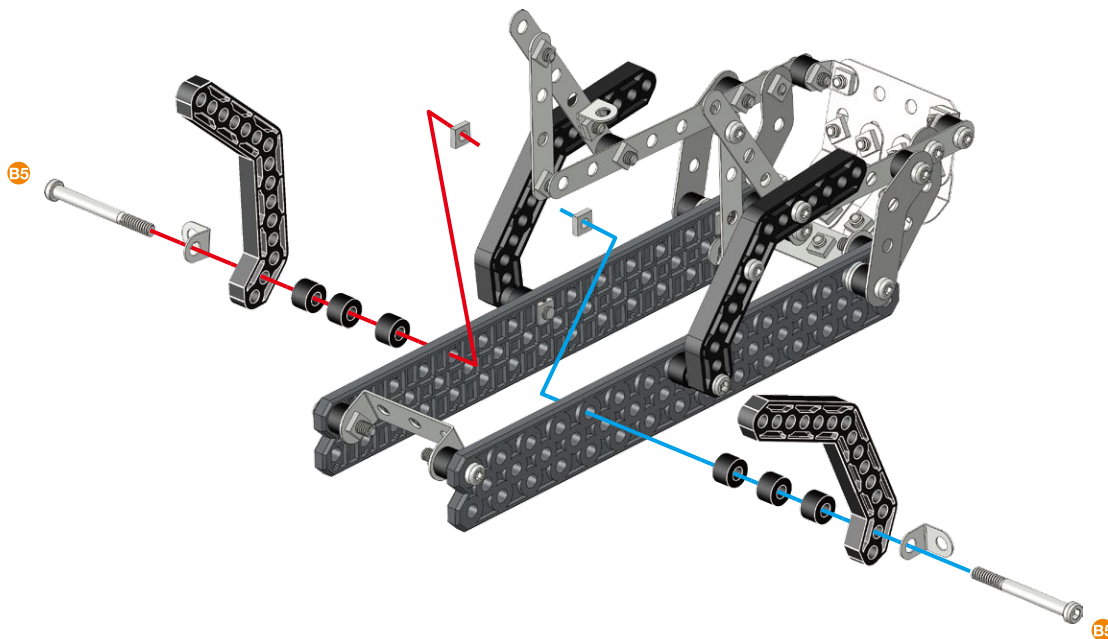


12




-  **x2**
-  **x2**
-  **x2**
-  **x2**
-  **x6**



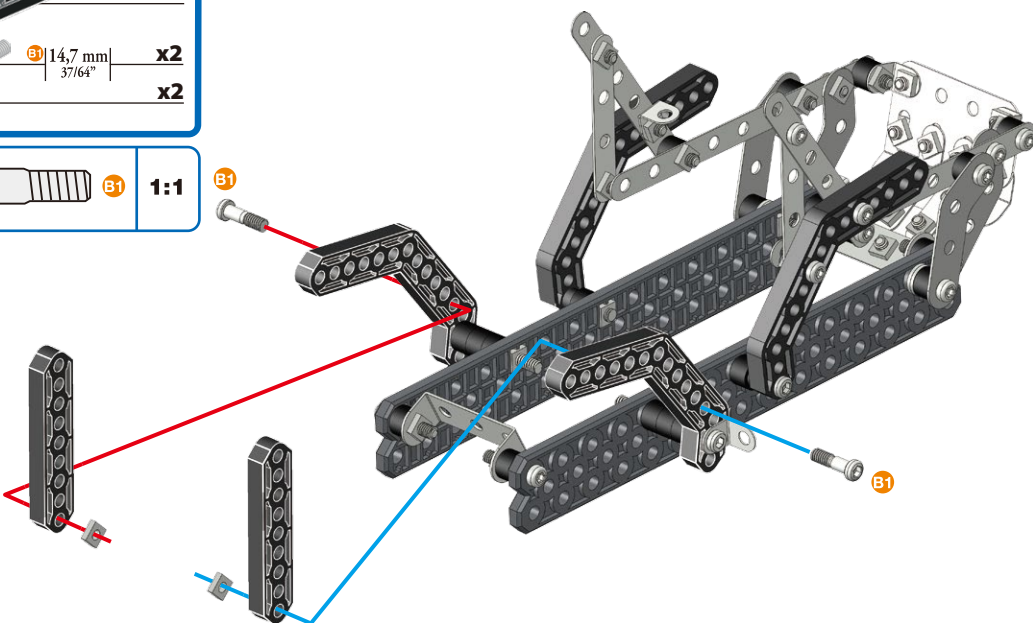
-  **B5**
-  **A238**
- 1:1**






13

-  **x2**
-  **x2**
-  **x2**

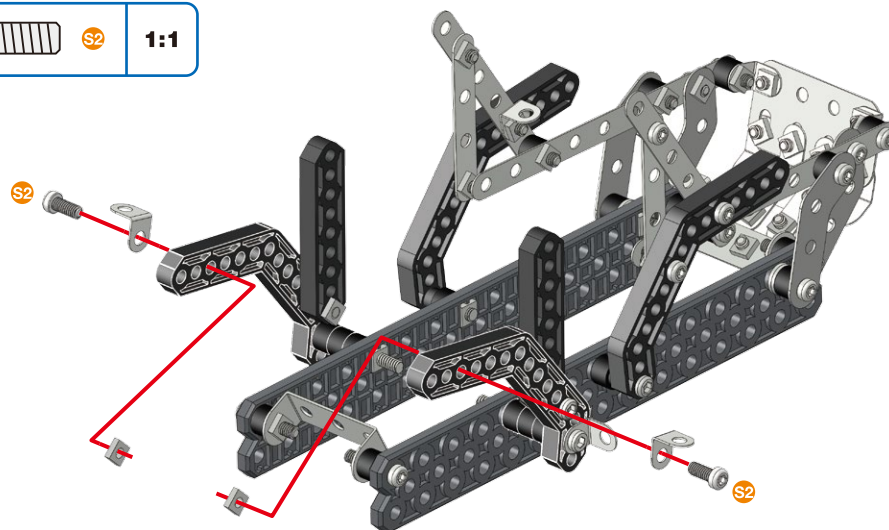
-  **B1**
- 1:1**







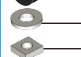



14

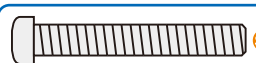



-  **x2**
-  **x2**
-  **x2**

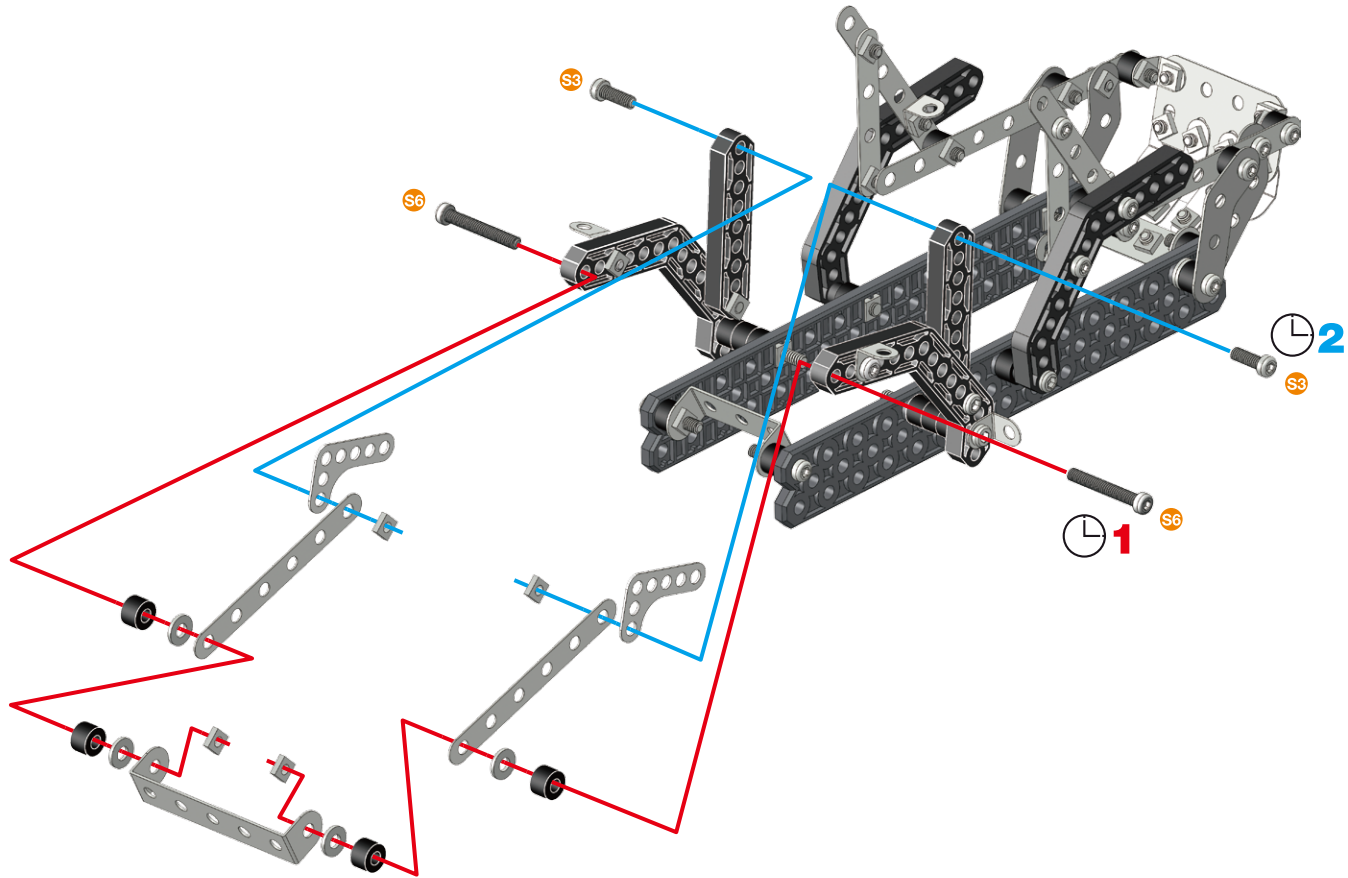
-  **S2**
- 1:1**





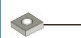

15

-  x2
-  x1
-  x2
-  28 mm | 1 1/8" | x2
-  12 mm | 1/2" | x2
-  x4
-  x4
-  x4

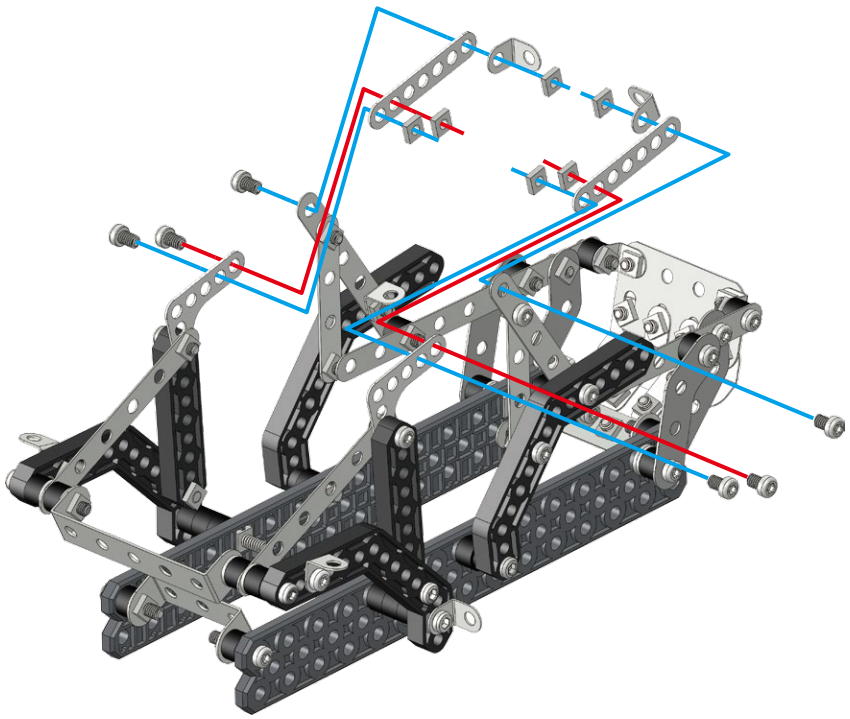
-  S6
 -  S3
 -   A238
- 1:1






16

-  x2
-  5,8 mm | 15/64" x6
-  x6
-  x2

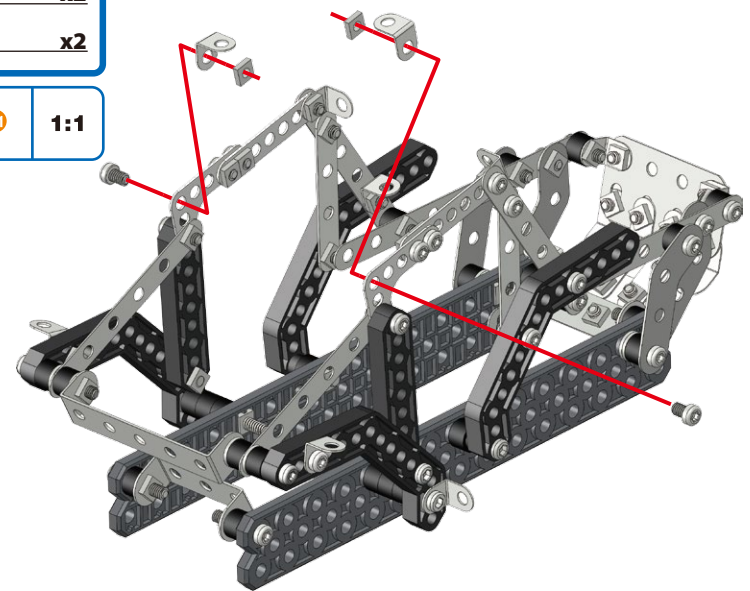
-  S1 1:1






17

-  S1 5,8 mm | 15/64" x2
-  x2
-  x2

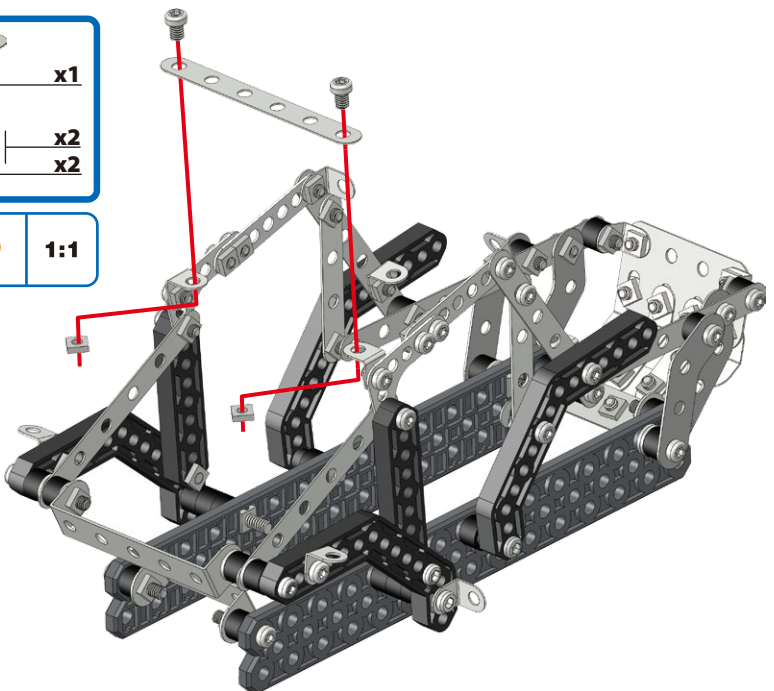
-  S1 1:1






18

-  x1
-  S1 5,8 mm | 15/64" x2
-  x2

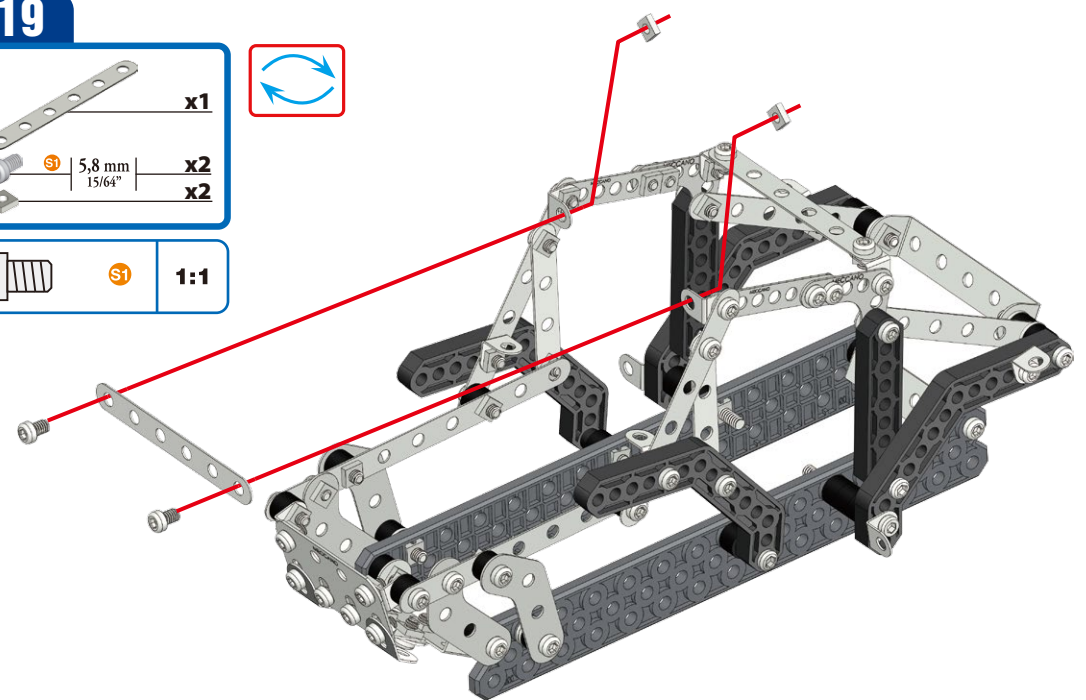
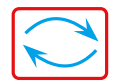
-  S1 1:1



19

-  x1
-  S1 5,8 mm | 15/64" x2
-  x2

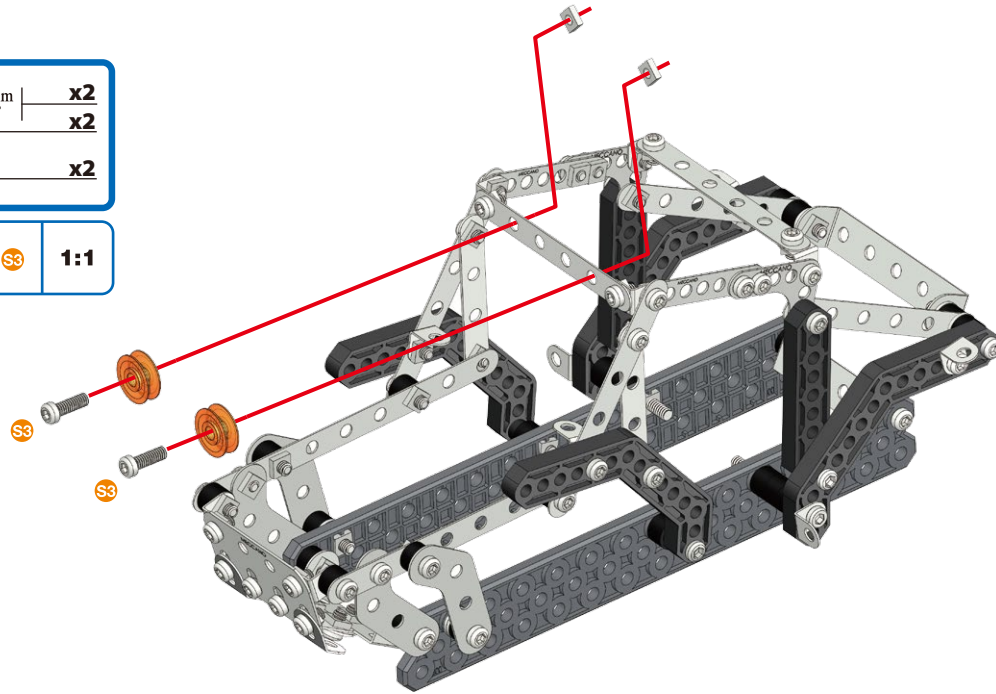
-  S1 1:1



20

- 12 mm | x2
- 1/2" | x2
- x2

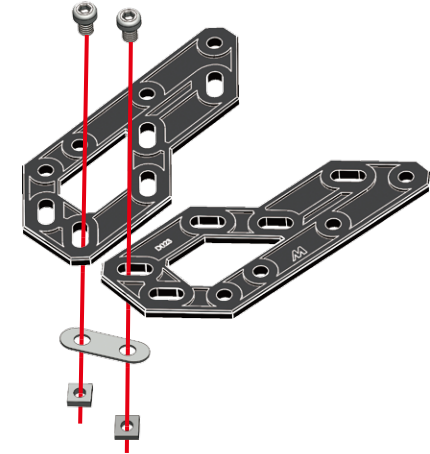
- x1



21

- x2
- 5,8 mm | x2
- 15/64" | x2
- x1

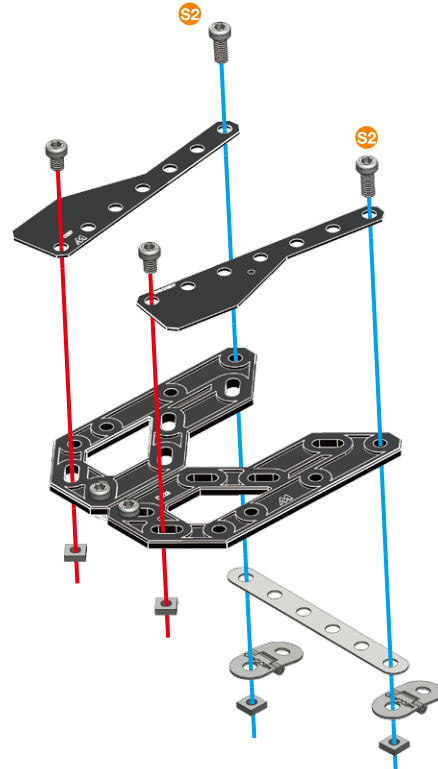
- x1



22

- x2
- x1
- 9,5 mm | x2
- 5,8 mm | x2
- 15/64" | x4
- x2

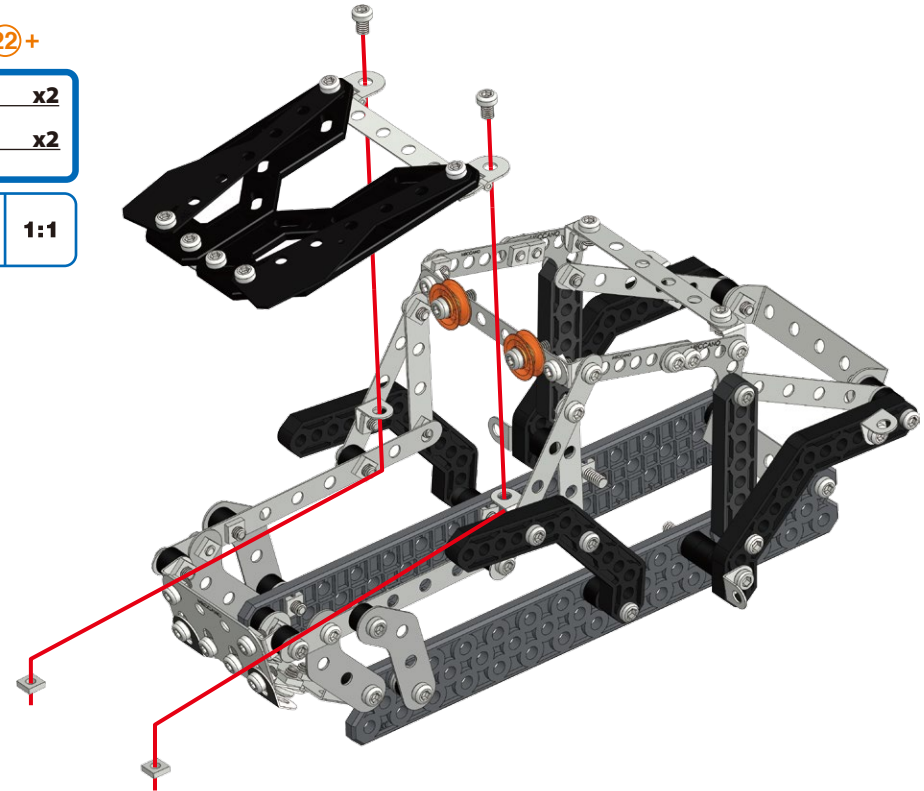
- x1
- x1






23

20 + 22 +

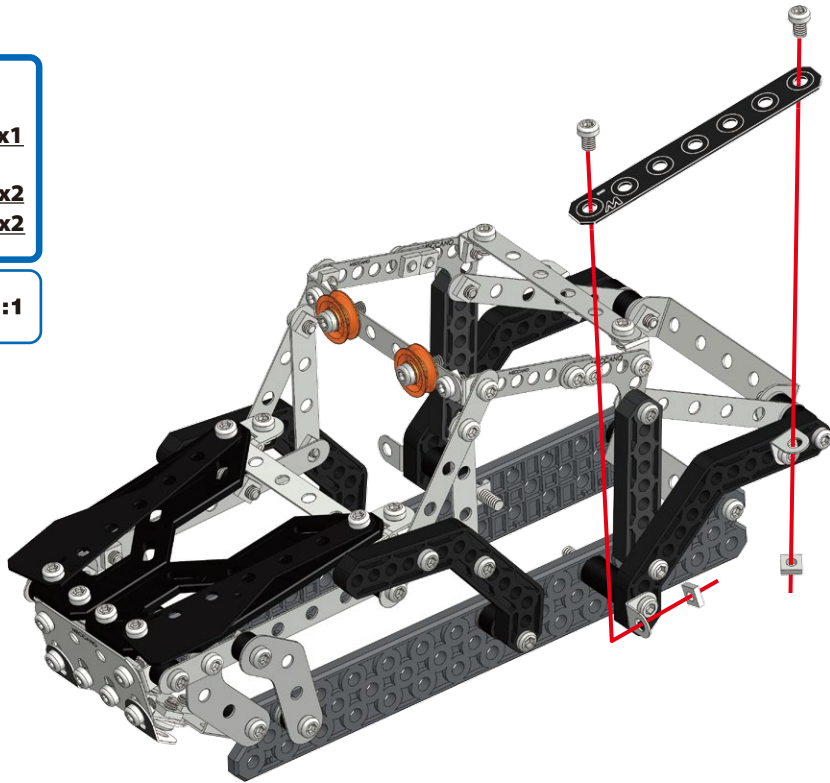
- 5,8 mm | x2
- 15/64" | x2
- x1






24

-  x1
-  5,8 mm | 15/64" x2
-  x2

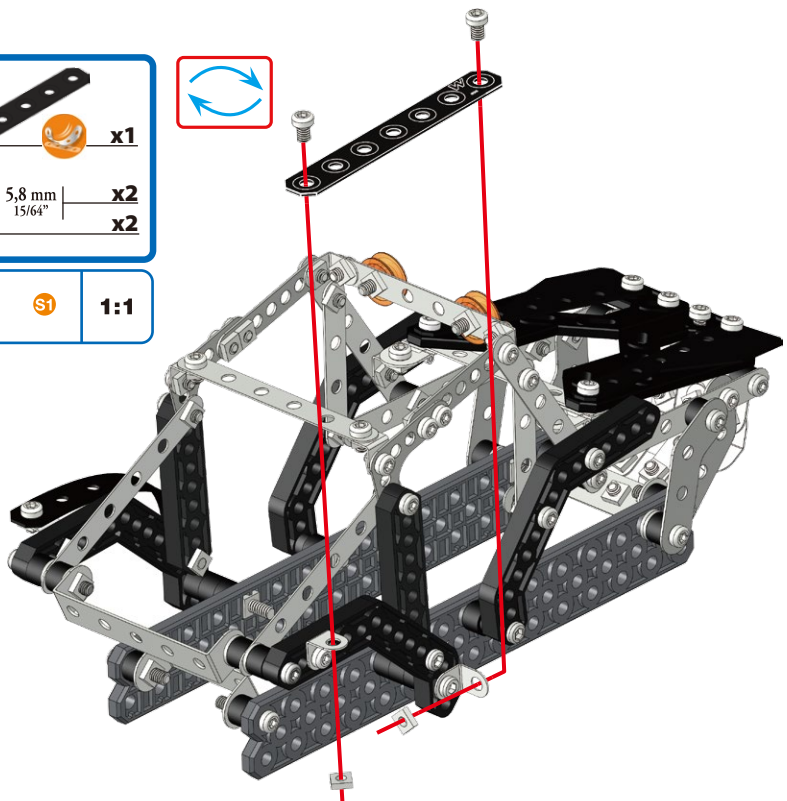
-  S1 1:1







25


-  x1
-  5,8 mm | 15/64" x2
-  x2

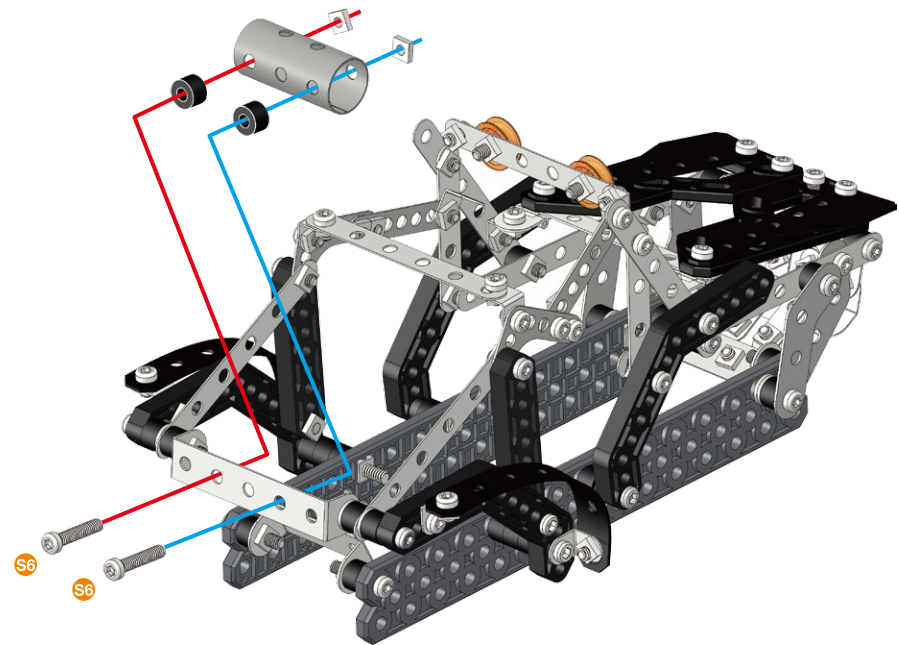
-  S1 1:1



26

-  x1
-  28 mm | 1 1/8" x2
-  x2
-  x2

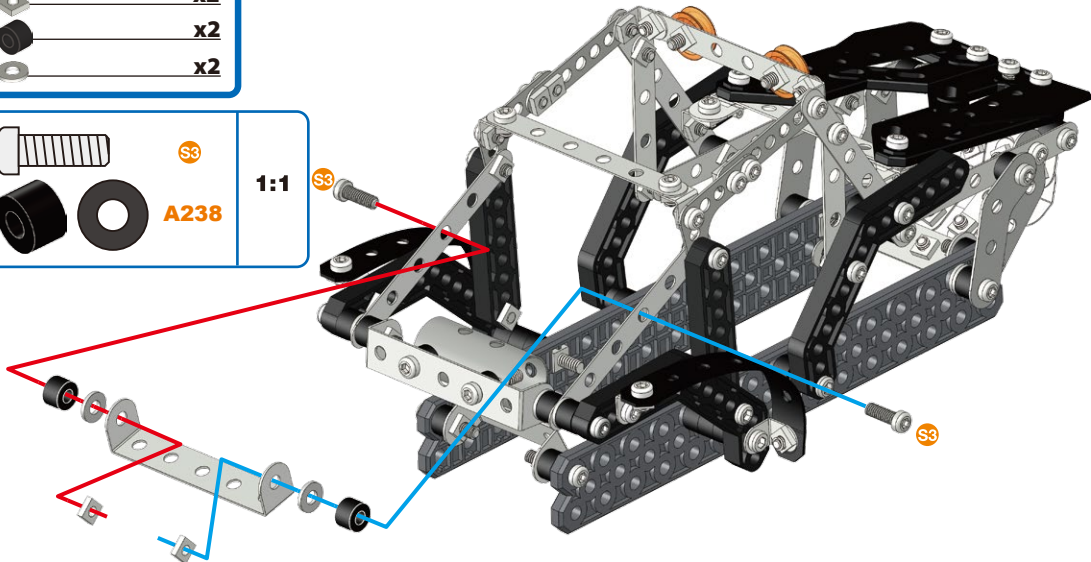
-  S6 1:1
-  A238



27

- x1
- 12 mm | x2
- 1/2" | x2
- x2
- x2

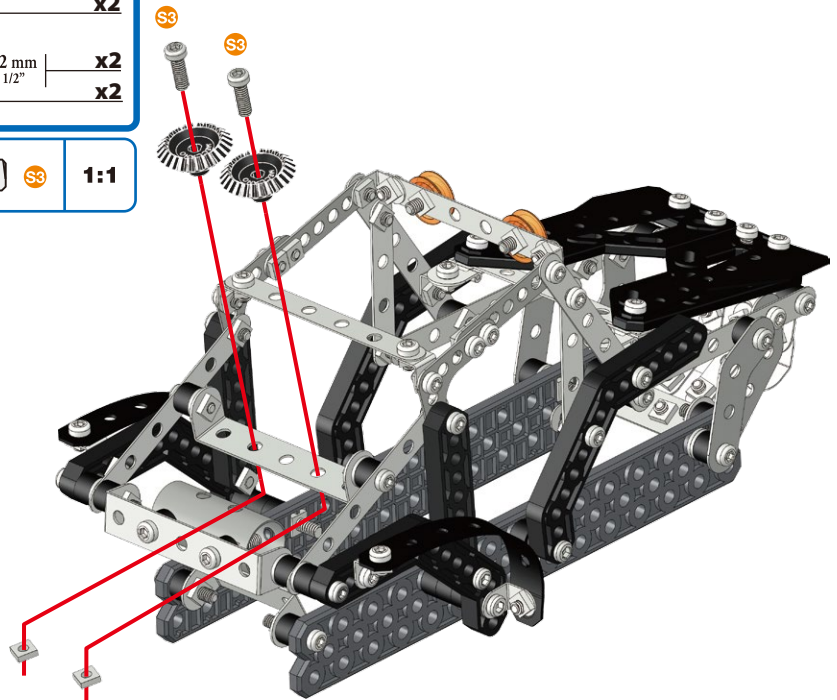
- 1:1
- A238



28

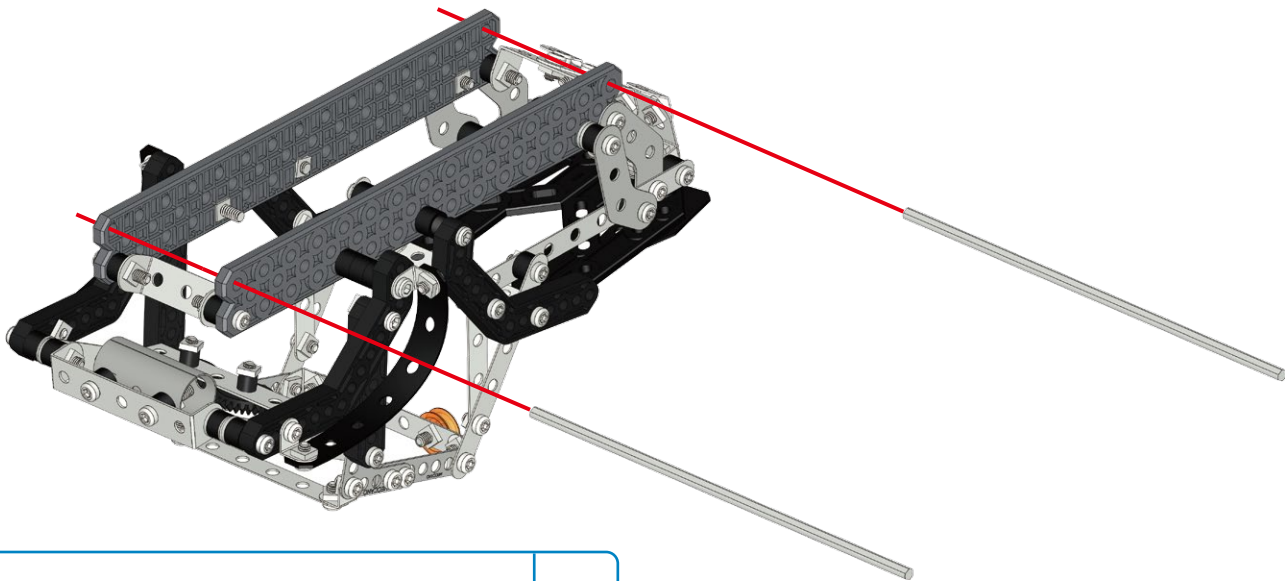
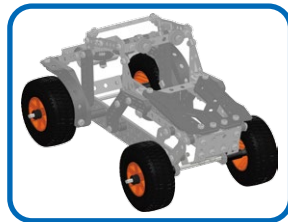
- x2
- 12 mm | x2
- 1/2" | x2

- 1:1



29

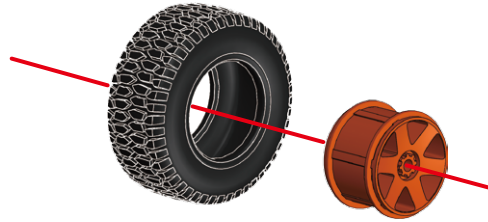
- 165 mm | x2
- 6 1/2" | x2



- 165 mm | x2
- 6 1/2" | x2

1:1

30



x4



31

29 + 30 +

