

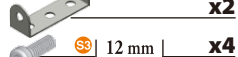
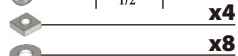

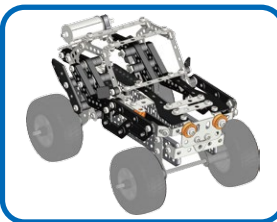


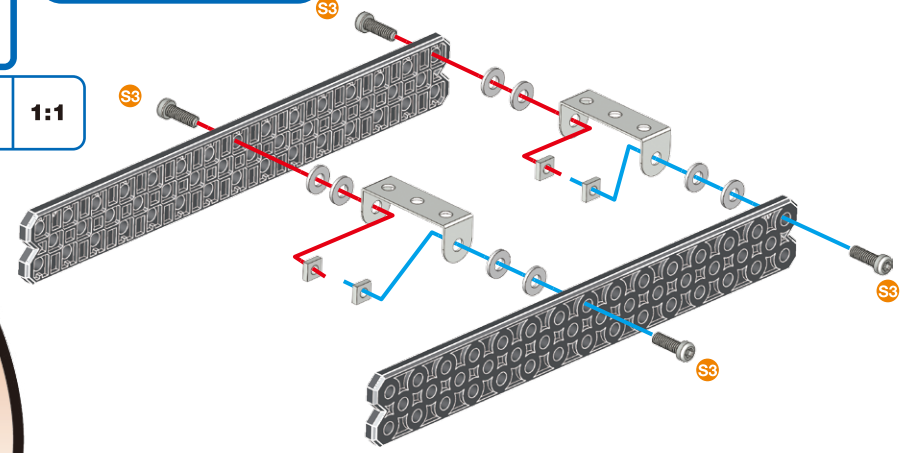
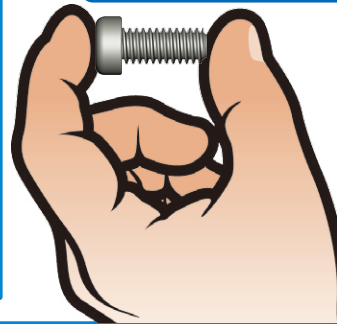


**1**





-  **x2**
-  **x2**
-  12 mm | **x4**  
1/2"
-  **x4**
-  **x8**



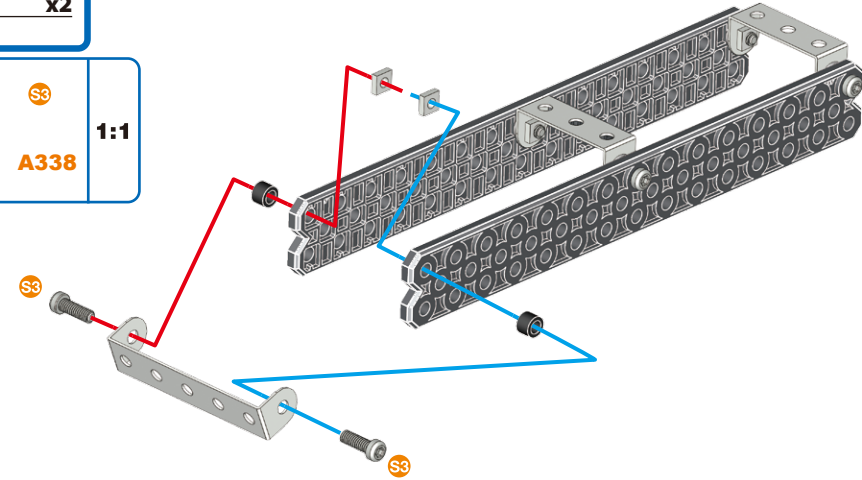
-  **S3** **1:1**






**2**

-  **x1**
-  12 mm | **x2**  
1/2"
-  **x2**
-  **x2**

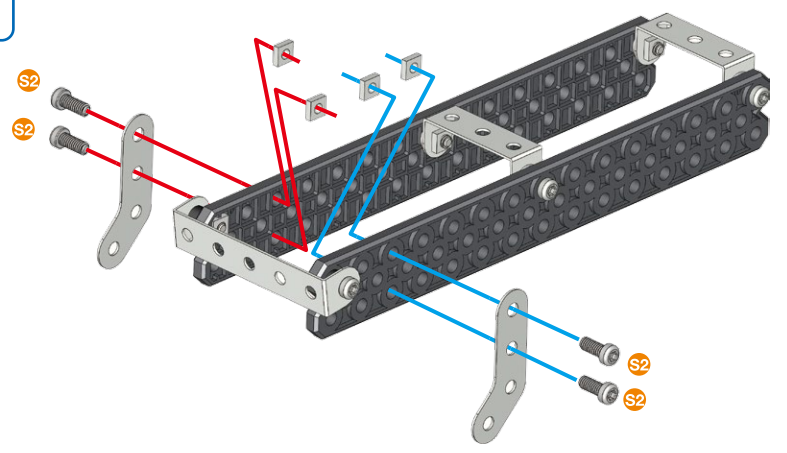
-  **S3** **1:1**
-  **A338**





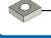
**3**

-  **x2**
-  9,5 mm | **x4**  
3/8"
-  **x4**

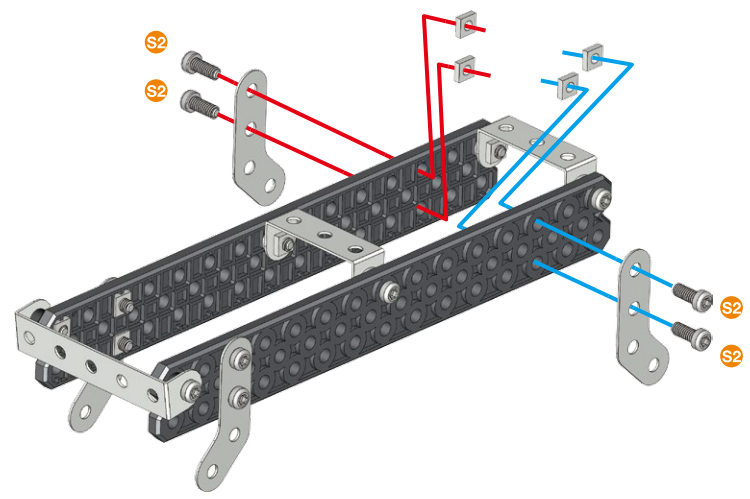
-  **S2** **1:1**



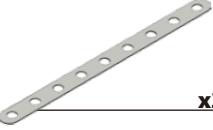

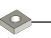
**4**

-  **x2**
-  | 9,5 mm | **x4**
-  | 3/8" | **x4**

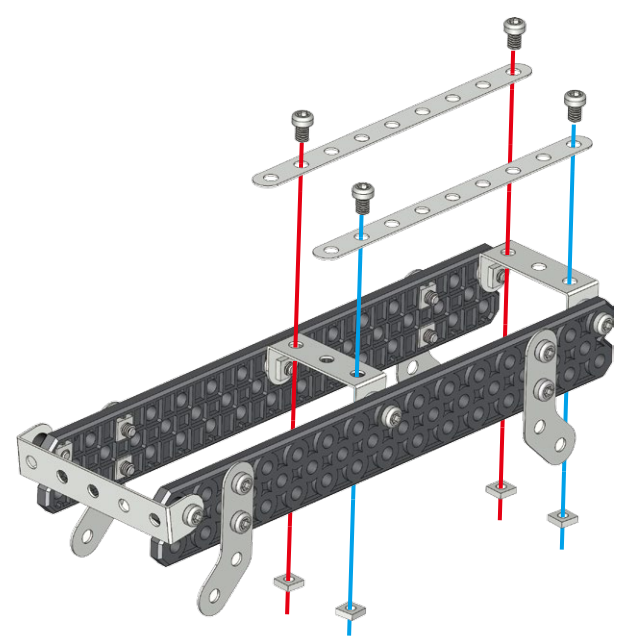
-  **S2** | **1:1**



**5**

-  **x2**
-  | 5,8 mm | **x4**
-  | 15/64" | **x4**

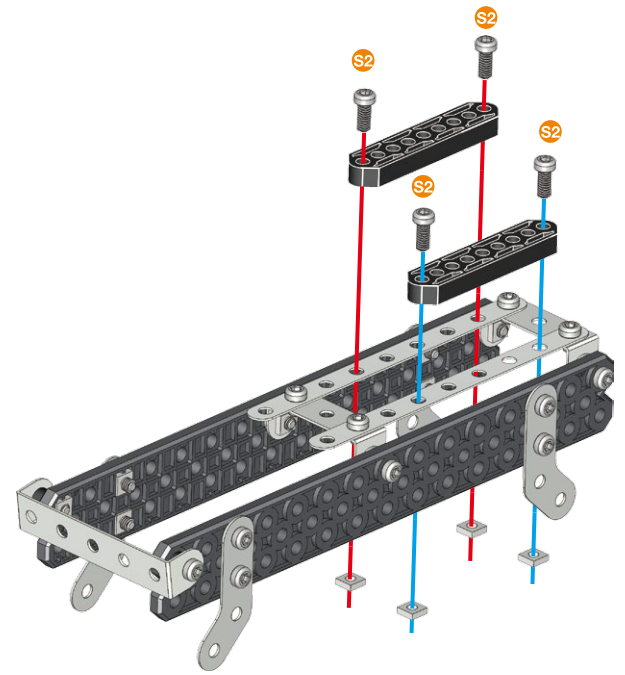
-  **S1** | **1:1**







**6**


-  **x2**
-  | 9,5 mm | **x4**
-  | 3/8" | **x4**

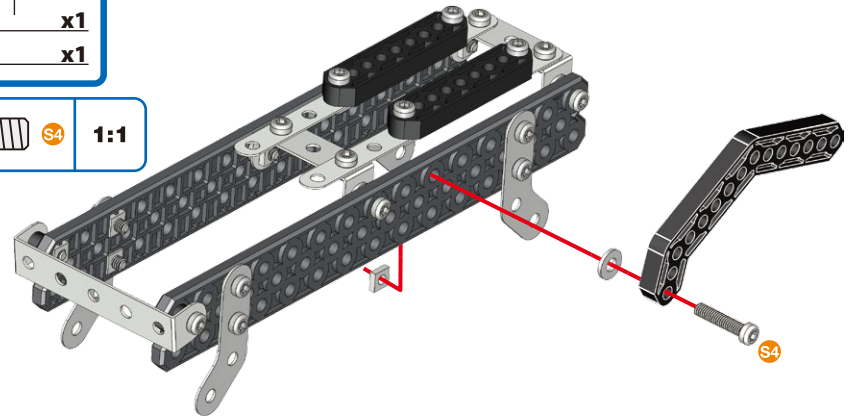
-  **S2** | **1:1**






**7**

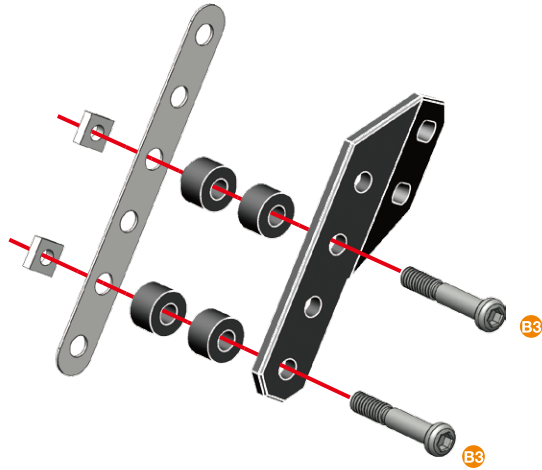
-  **x1**
-  | 19 mm | **x1**
-  | 3/4" | **x1**
-  | **x1**




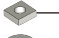

-  **S4** | **1:1**






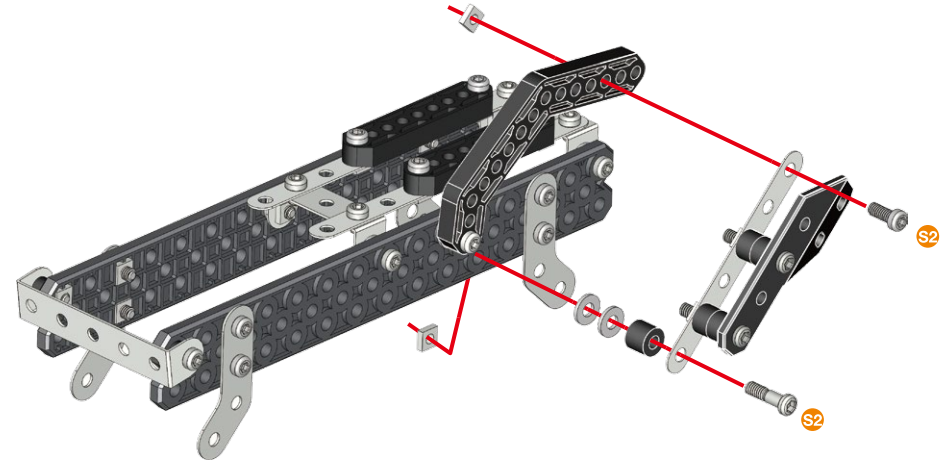
- 8**
-  **x1**
  -  **x1**
  -  **x2**
  -  **x2**
  -  **x4**







-  **B3**
  -  **A238**
- 1:1**





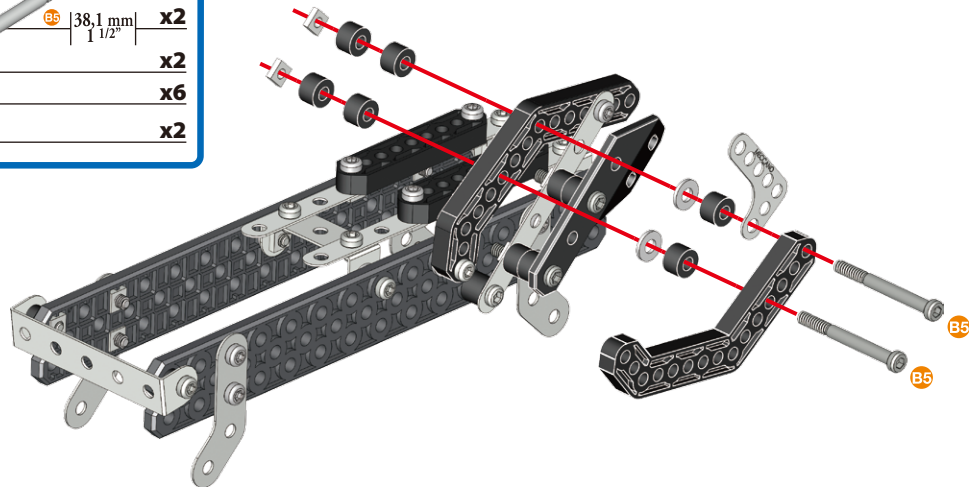
- 9** (7) + (8) +
-  **x1**
  -  **S2** | 9,5 mm | 3/8" | **x1**
  -  **S1** | 14,7 mm | 37/64" | **x1**
  -  **x2**
  -  **x2**








-  **B1**
  -  **S2**
  -  **A238**
- 1:1**





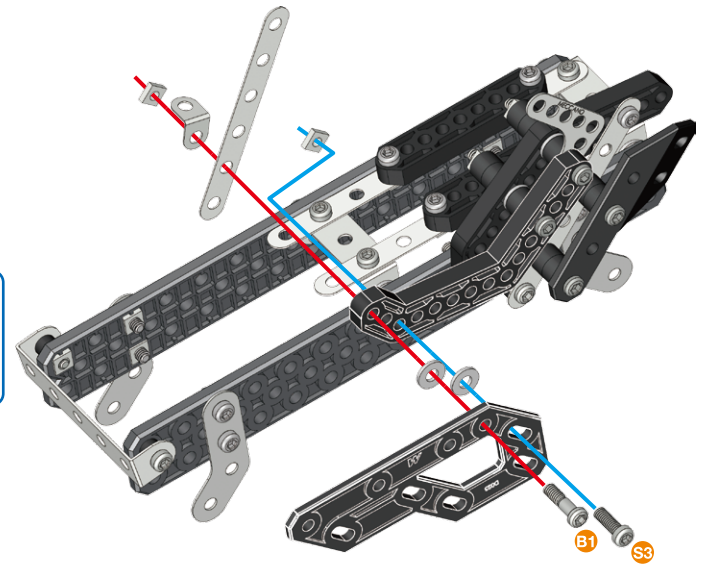
- 10**
-  **x1**
  -  **x1**
  -  **B5** | 38,1 mm | 1 1/2" | **x2**
  -  **x2**
  -  **x6**
  -  **x2**

-  **B5**
  -  **A238**
- 1:1**







- 11**
-  **x1**
  -  **x1**
  -  **S1** | 14,7 mm | 37/64" | **x1**
  -  **S2** | 12 mm | 1/2" | **x1**
  -  **x2**
  -  **x2**
  -  **x1**

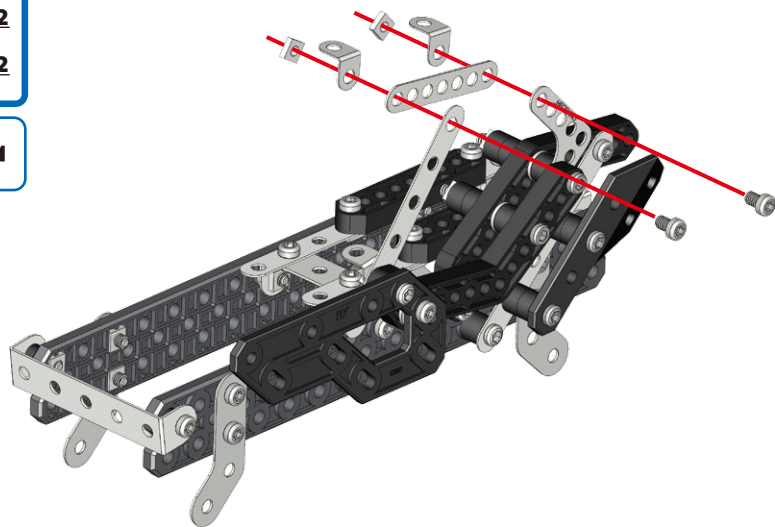
-  **S3**
  -  **B1**
- 1:1**



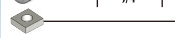



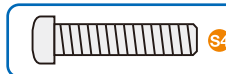
**12**

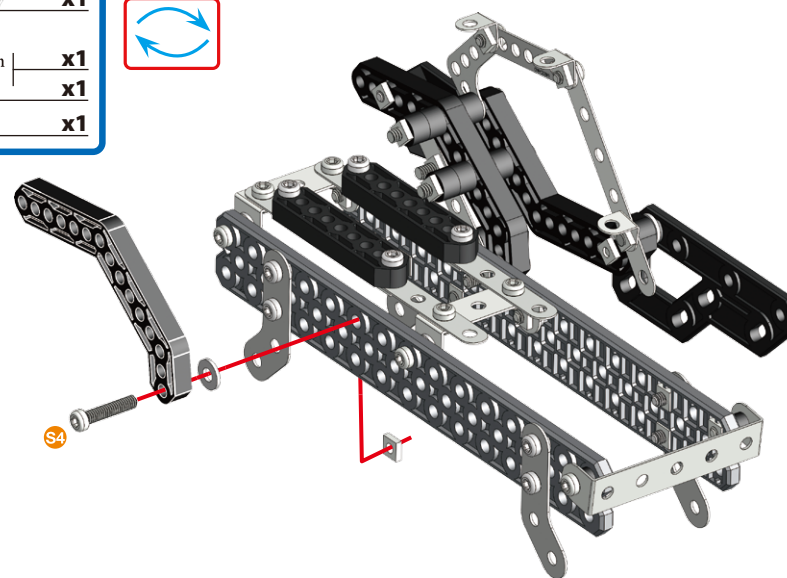
-  **x1**
-  5,8 mm | 15/64" **x2**
-  **x2**
-  **x2**






-  **S1** **1:1**


**13**

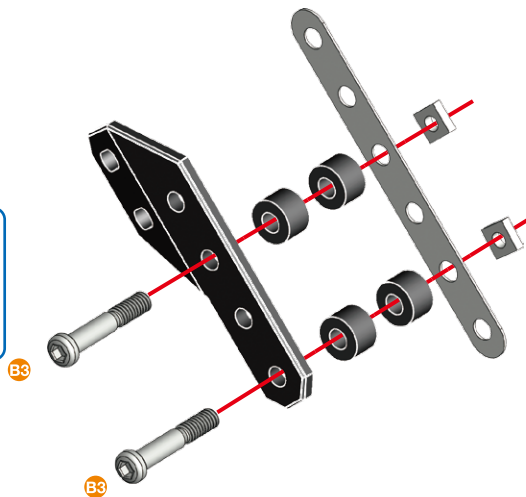
-  **x1**
-  19 mm | 3/4" **x1**
-  **x1**
-  **x1**






-  **S4** **1:1**

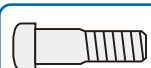


**14**

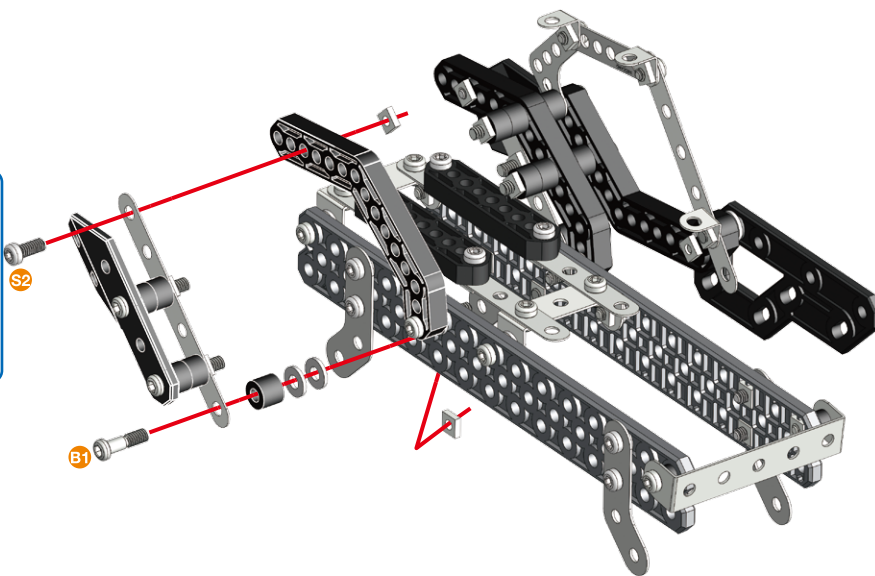
-  **x1**
-  **x1**
-  23 mm | 15/16" **x2**
-  **x2**
-  **x4**

-  **B3** **1:1**
-  **A238**







**15****13+14+**



-  **x1**
-  9,5 mm | 3/8" **x1**
-  14,7 mm | 37/64" **x1**
-  **x2**
-  **x2**

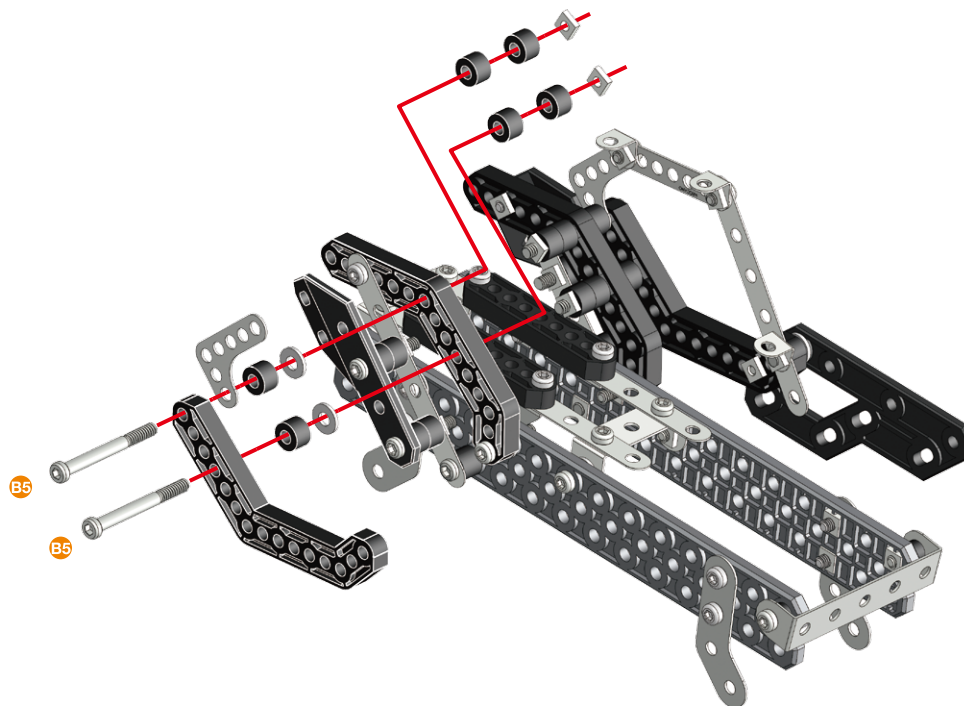
-  **B1**
-  **S2** **1:1**
-  **A238**




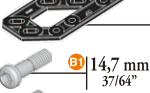




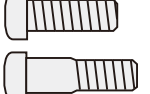
# 16

-  x1
-  x1
-  **B5** | 38,1 mm | 1 1/2" | x2
-  x2
-  x6
-  x2

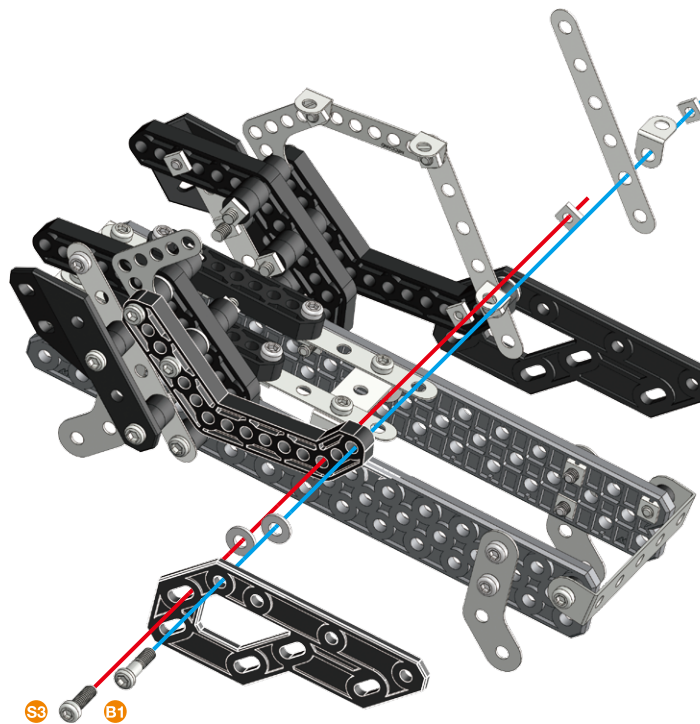
|   |             |            |
|---|-------------|------------|
|  | <b>B5</b>   | <b>1:1</b> |
|  | <b>A238</b> |            |







# 17

-  x1
-  x1
-  **S1** | 14,7 mm | 37/64" | x1
-  **S3** | 12 mm | 1/2" | x1
-  x2
-  x2
-  x1

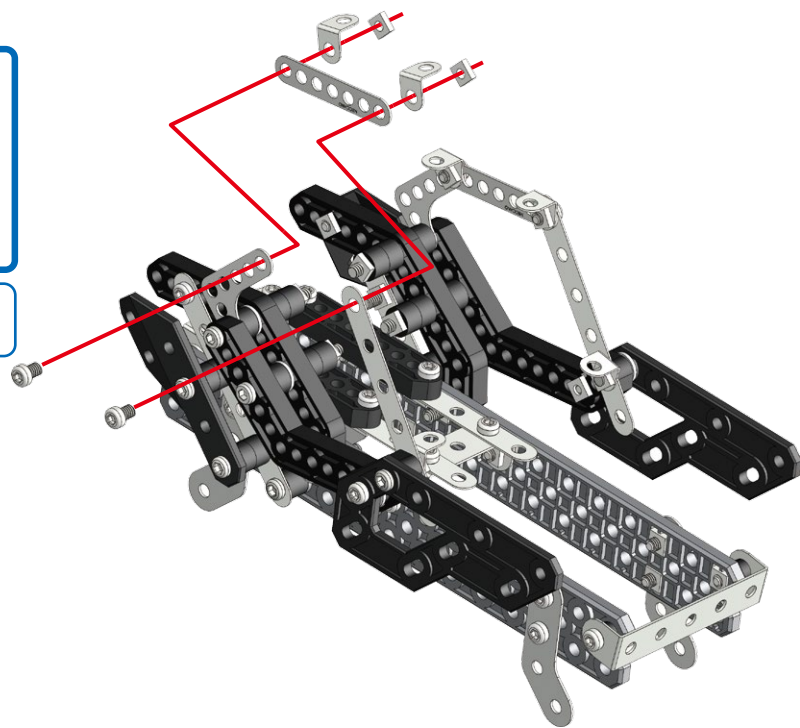
|   |           |            |
|---|-----------|------------|
|  | <b>S3</b> | <b>1:1</b> |
|  | <b>B1</b> |            |






18

-  x1
-  5,8 mm | 15/64" x2
-  x2
-  x2

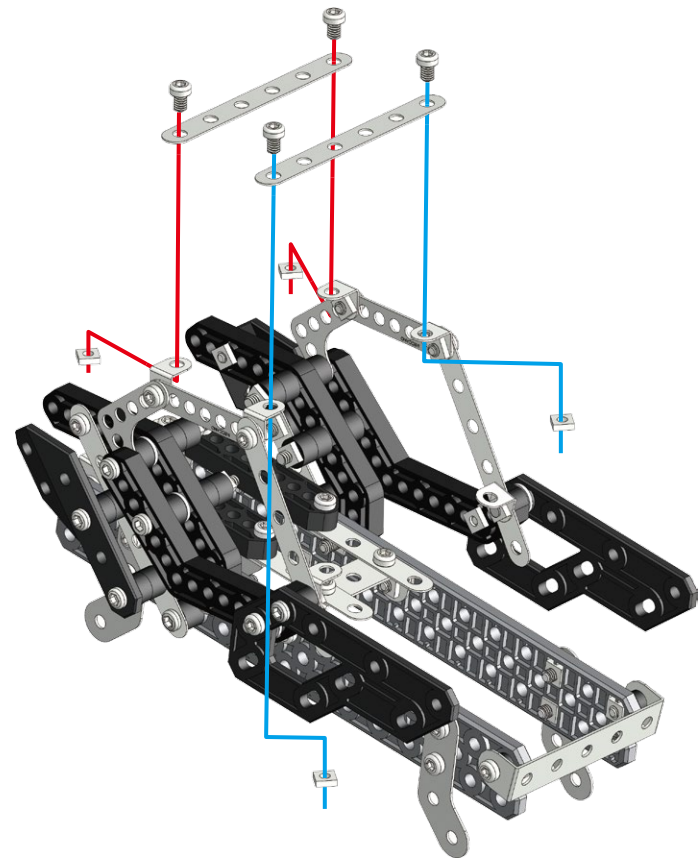
-  S1 1:1





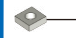
19

-  x2
-  5,8 mm | 15/64" x4
-  x4

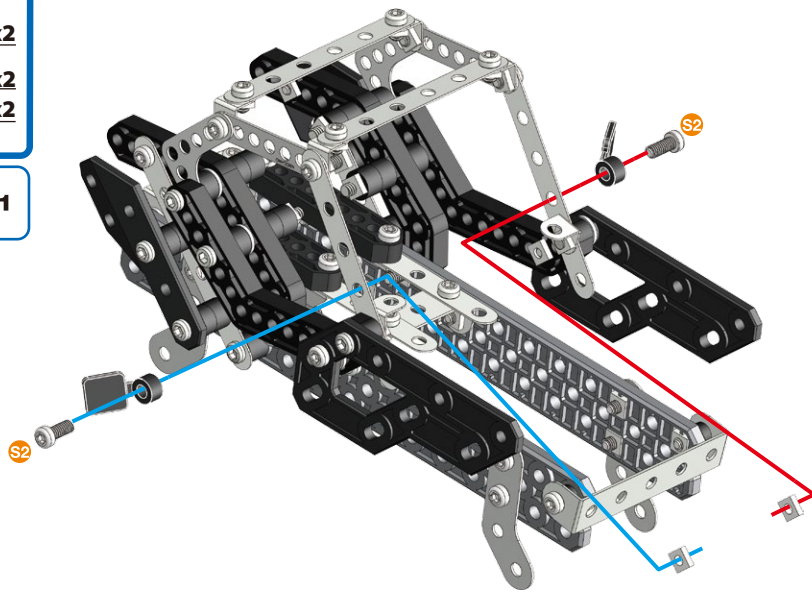
-  S1 1:1







20

-  x2
-  9,5 mm | 3/8" x2
-  x2

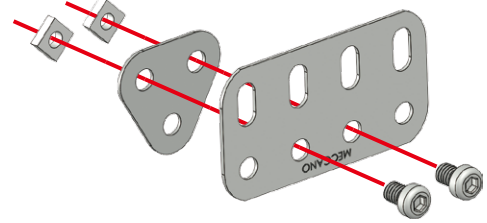
-  S2 1:1



21

-  x1
-  x1
-  5,8 mm | 15/64" x2
-  x2

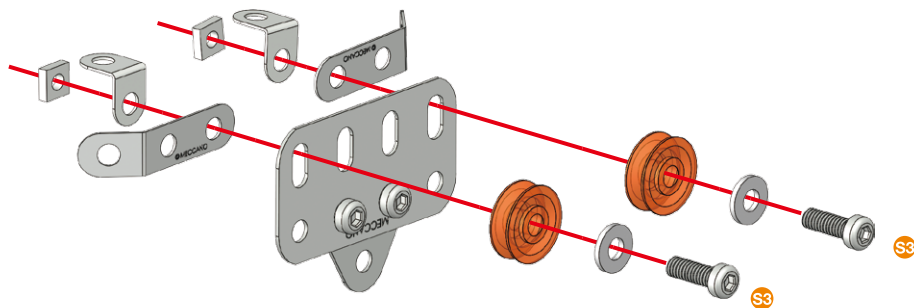
-  S1 1:1



**22**

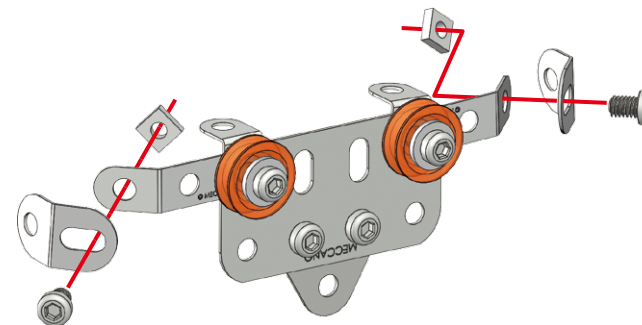
|            |           |
|------------|-----------|
|            | <b>x2</b> |
| S1   12 mm | <b>x2</b> |
|            | <b>x2</b> |
|            | <b>x2</b> |
|            | <b>x2</b> |
|            | <b>x2</b> |

|  |    |            |
|--|----|------------|
|  | S1 | <b>1:1</b> |
|--|----|------------|

**23**

|             |           |
|-------------|-----------|
|             | <b>x2</b> |
| S1   5,8 mm | <b>x2</b> |
|             | <b>x2</b> |

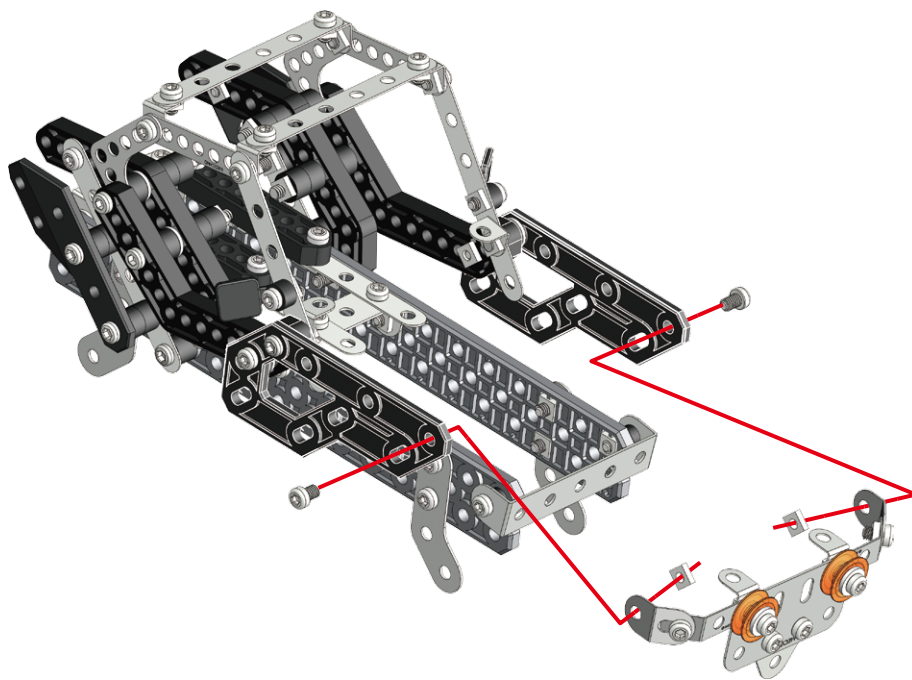
|  |    |            |
|--|----|------------|
|  | S1 | <b>1:1</b> |
|--|----|------------|

**24**

20 + 23 +

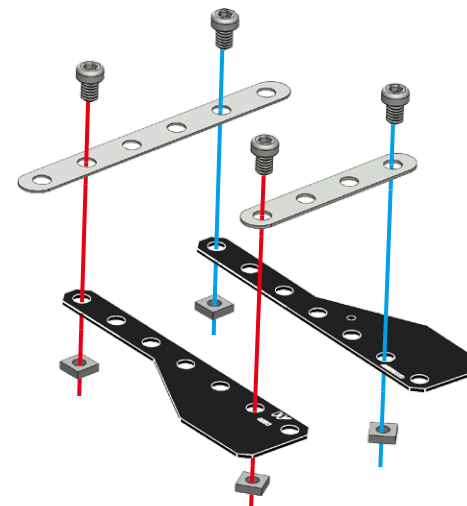
|             |           |
|-------------|-----------|
| S1   5,8 mm | <b>x2</b> |
|             | <b>x2</b> |

|  |    |            |
|--|----|------------|
|  | S1 | <b>1:1</b> |
|--|----|------------|

**25**






|             |           |
|-------------|-----------|
|             | <b>x2</b> |
|             | <b>x1</b> |
|             | <b>x1</b> |
| S1   5,8 mm | <b>x4</b> |
|             | <b>x4</b> |

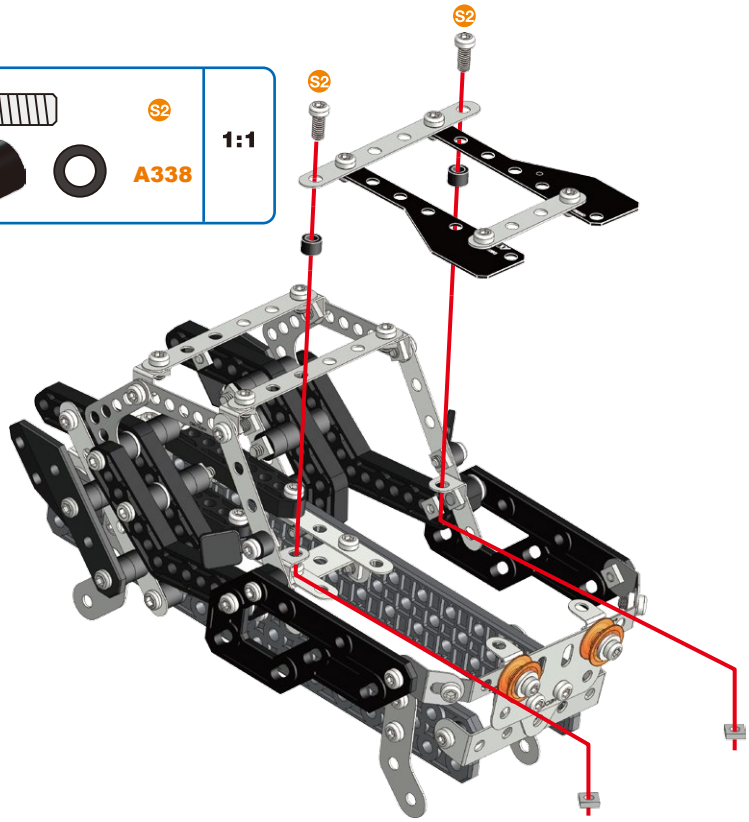
|  |    |            |
|--|----|------------|
|  | S1 | <b>1:1</b> |
|--|----|------------|





# 26

24 + 25 +

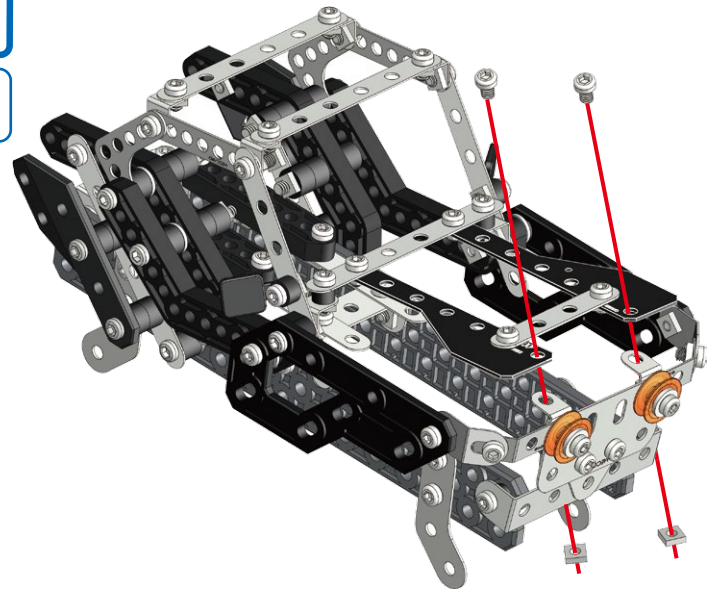
-  x2
-  9,5 mm | 3/8" x2
-  x2
-   A338 1:1





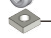
# 27

-  S1 | 5,8 mm | 15/64" x2
-  x2

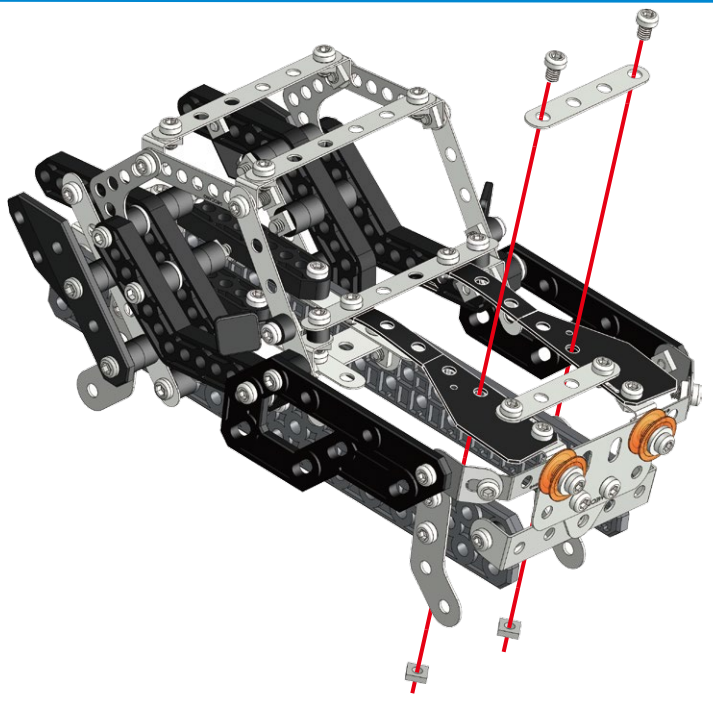
-  S1 1:1






# 28

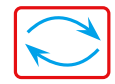
-  x1
-  S1 | 5,8 mm | 15/64" x2
-  x2

-  S1 1:1

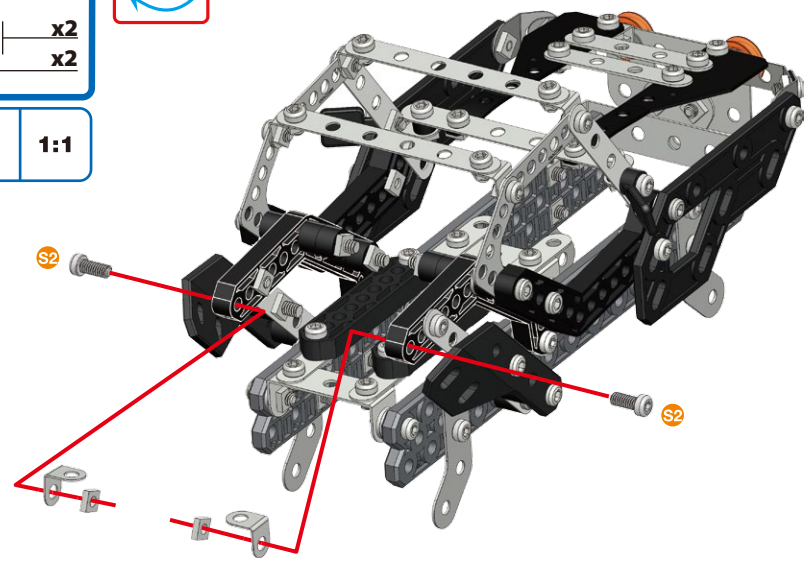


# 29

-  x2
-  S2 | 9,5 mm | 3/8" x2
-  x2






-  S2 1:1

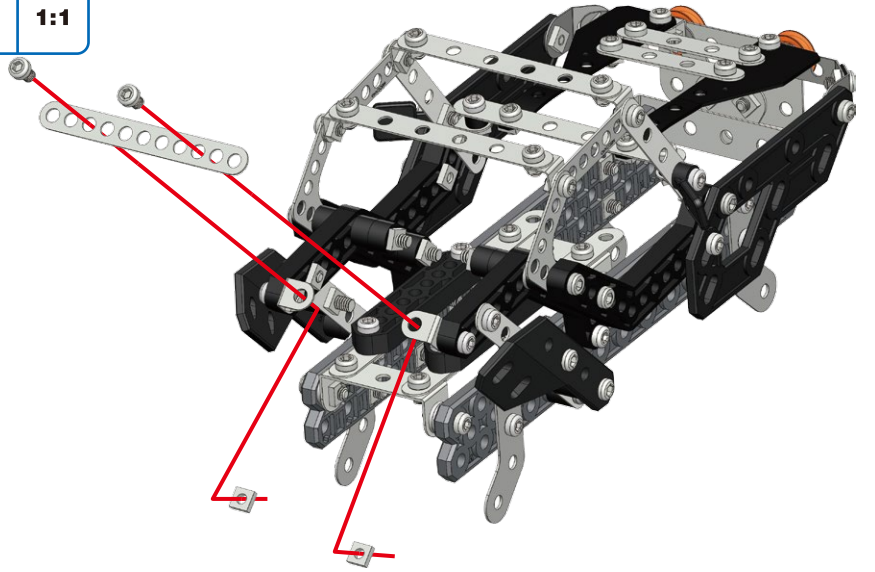








### 30

-  x1
-  | 5,8 mm | 15/64" x2
-  x2

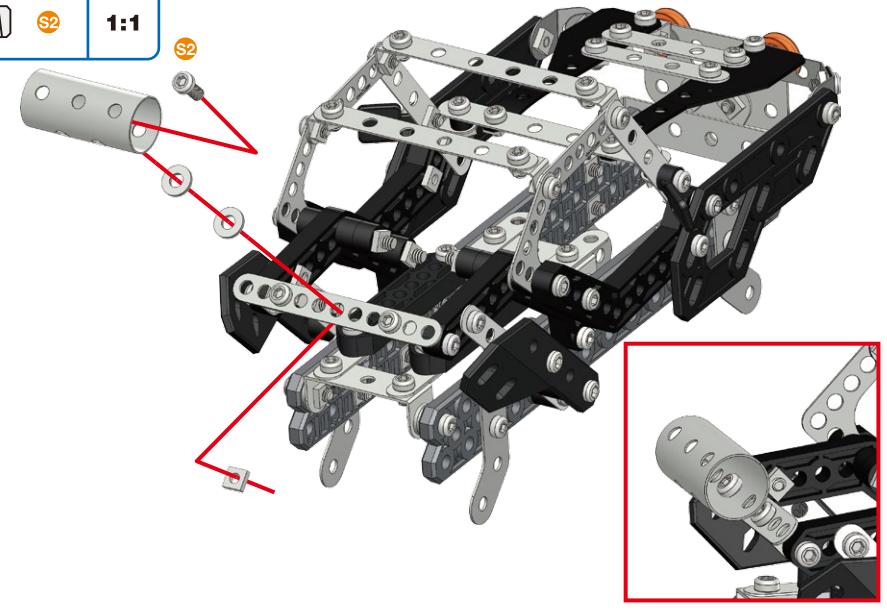
-  | 1:1



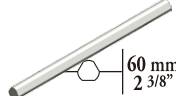




### 31

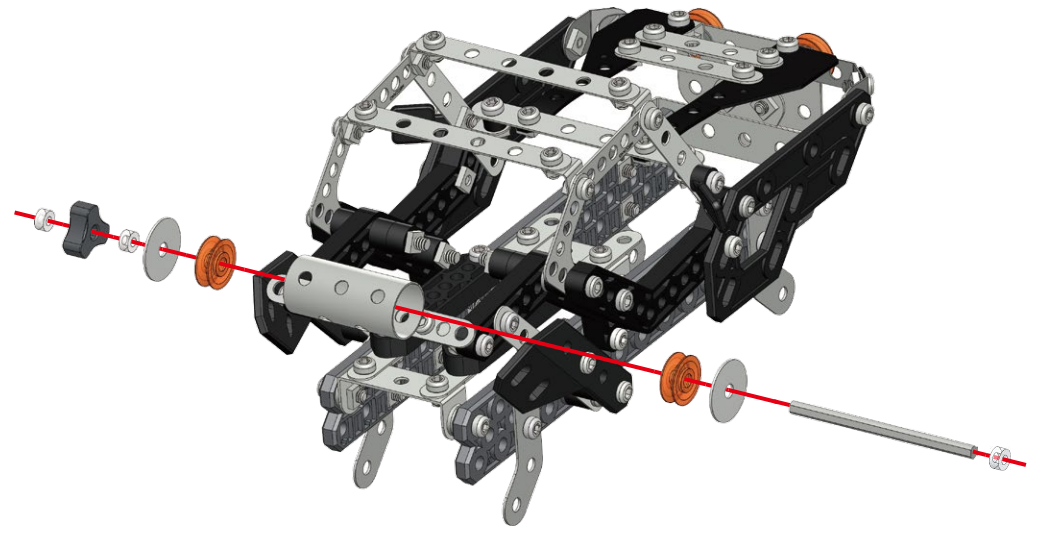
-  x1
-  x2
-  | 9,5 mm | 3/8" x1
-  x1


-  | 1:1



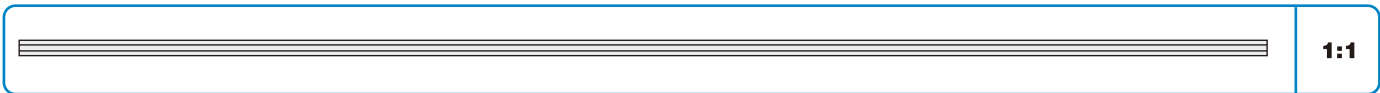
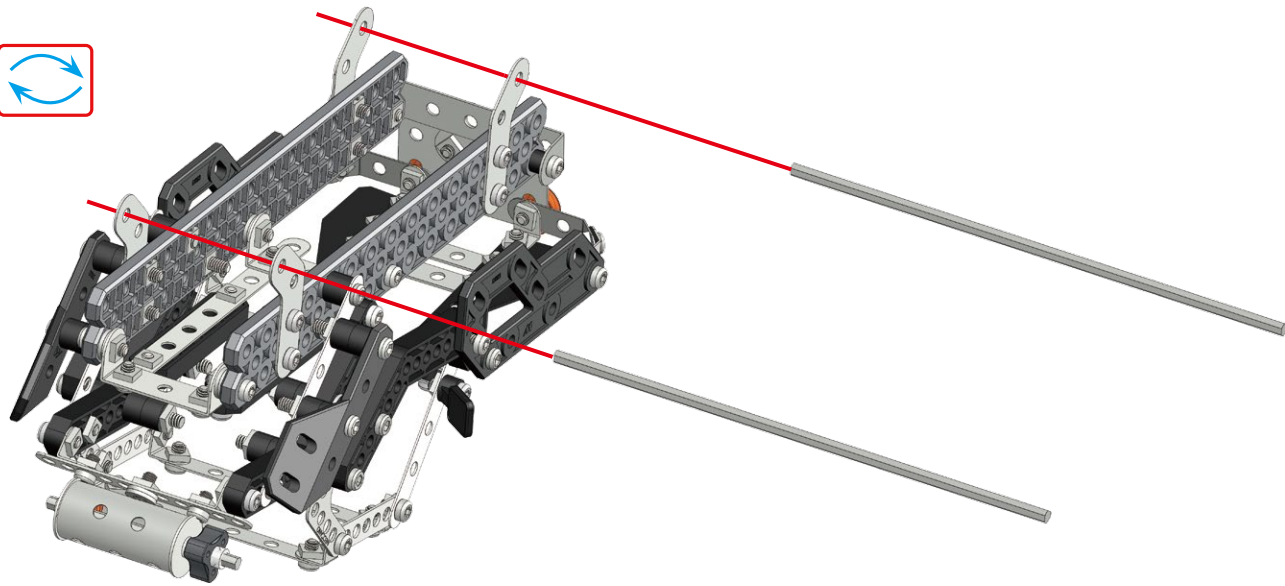
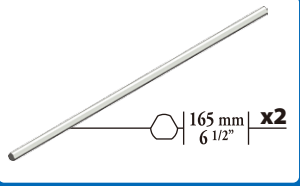
### 32

-  | 60 mm | 2 3/8" x1
-  x2
-  x3
-  x2
-  x1

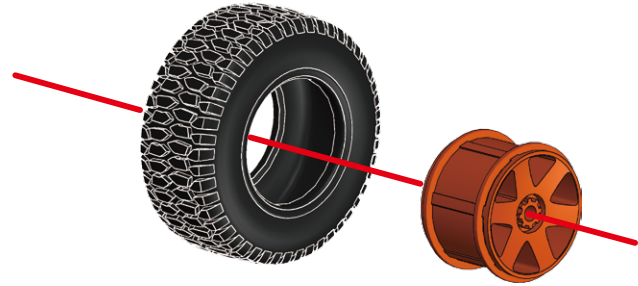


-  | 1:1

33






34



x4



- 35** 33 + 34 +
- |   |     |
|---|-----|
|  | x16 |
|  | x4  |
|  | x4  |

- |   |   |      |     |
|---|---|------|-----|
|  |  | A238 | 1:1 |
|---|---|------|-----|

