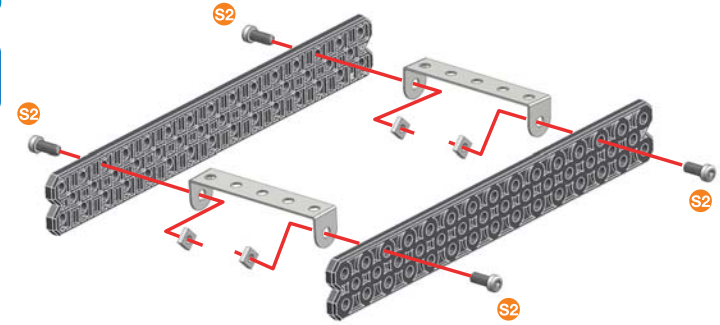
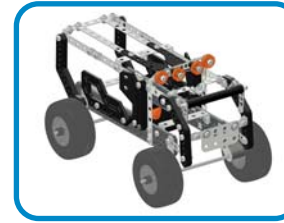
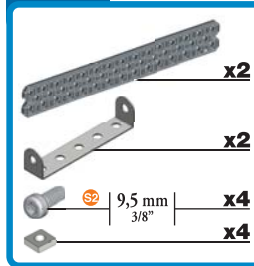
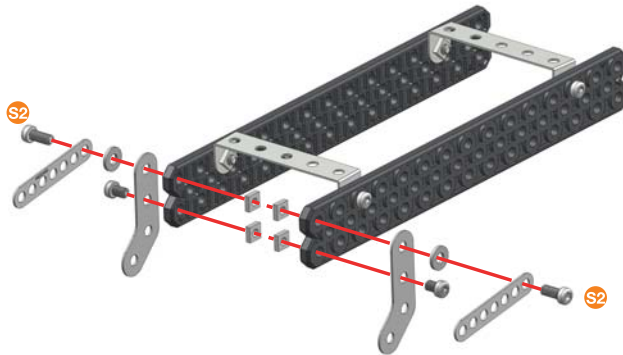
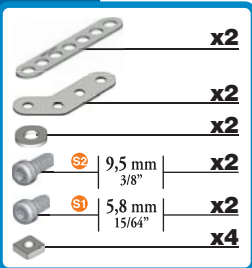




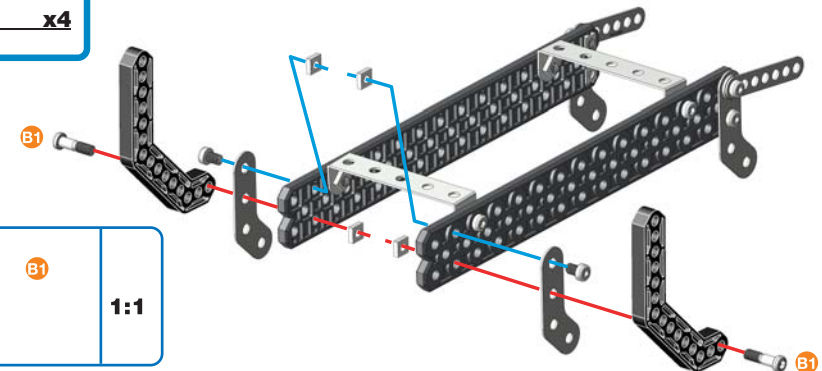
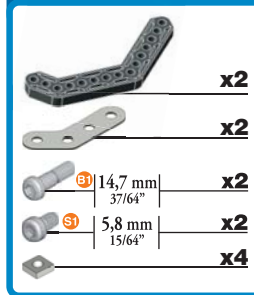
1

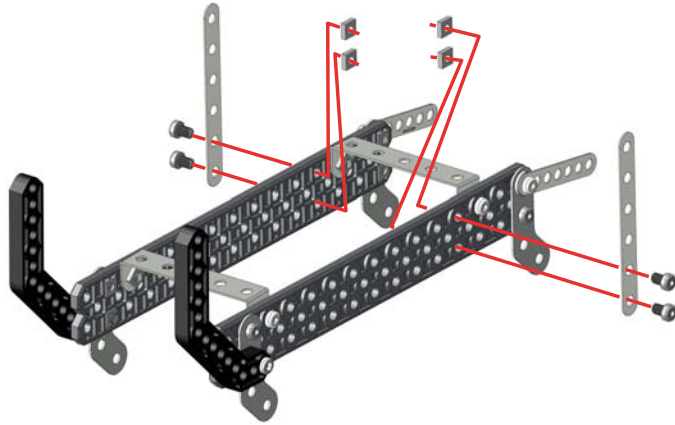
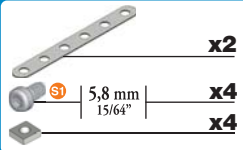
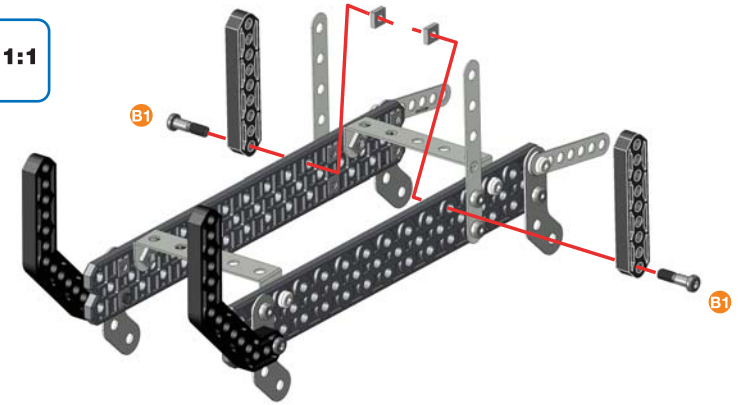
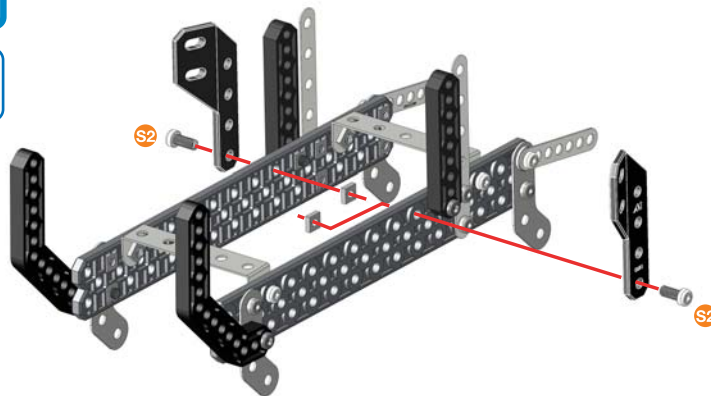
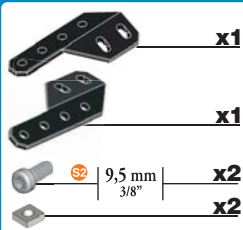
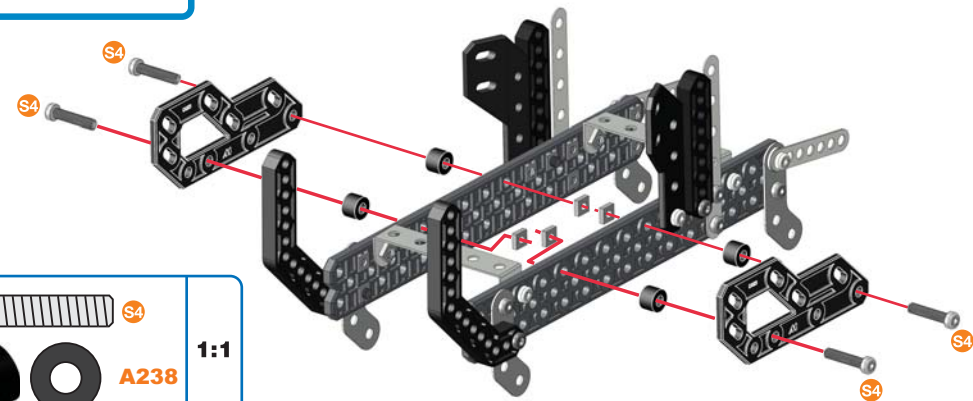
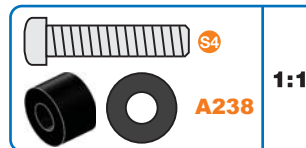
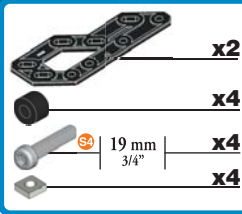


2



3

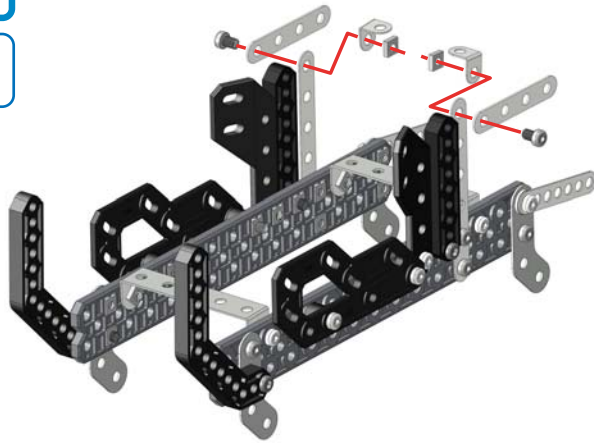


4**5****6****7**

8

	x2
	x2
	x2
	x2

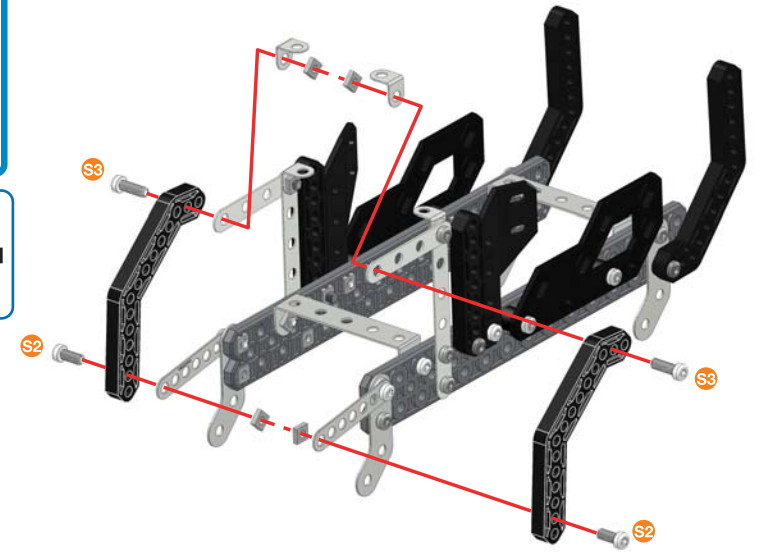
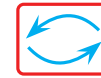
	1:1
--	------------



9

	x2
	x2
	x2
	x4
	x2

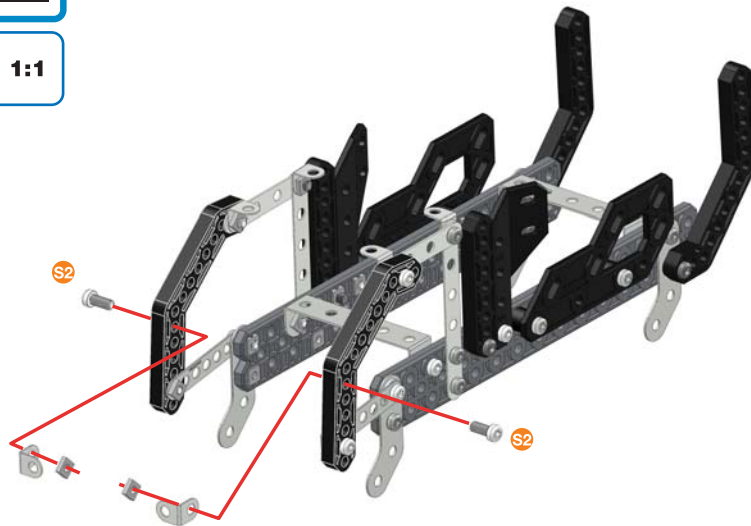
	1:1
	1:1



10

	x2
	x2
	x2

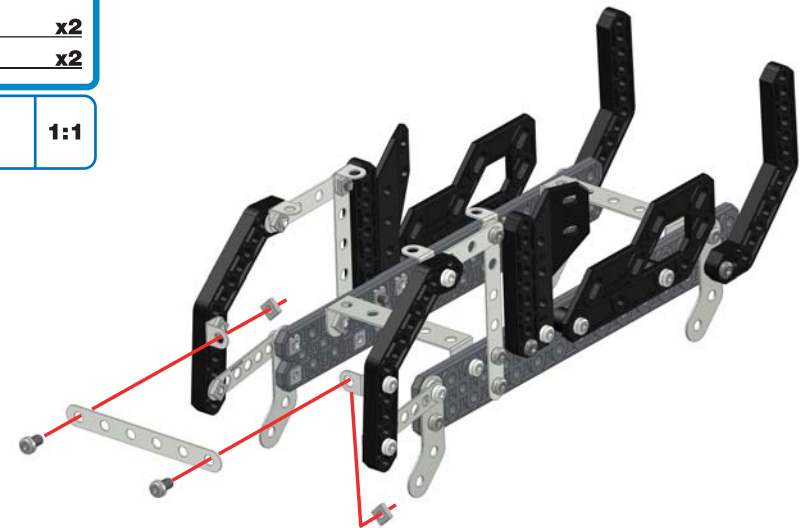
	1:1
--	------------







11

	x1
	x2
	x2

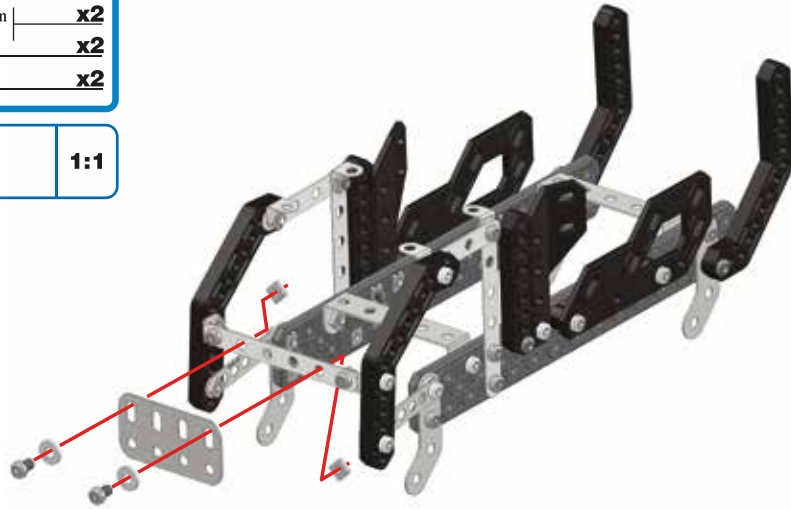
	1:1
--	------------







12

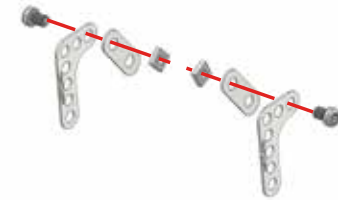
	x1
 5,8 mm 15/64"	x2
	x2
	x2

 S1	1:1
---	------------



**13**

	x2
	x2
 5,8 mm 15/64"	x2
	x2

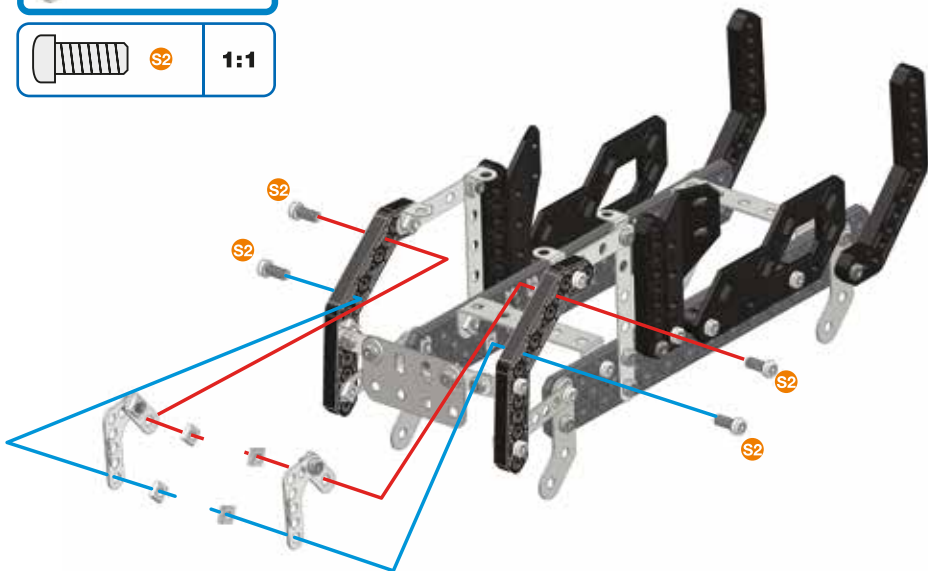
 S1	1:1
--	------------

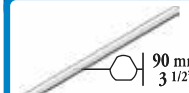


**14**

(12) + (13) +

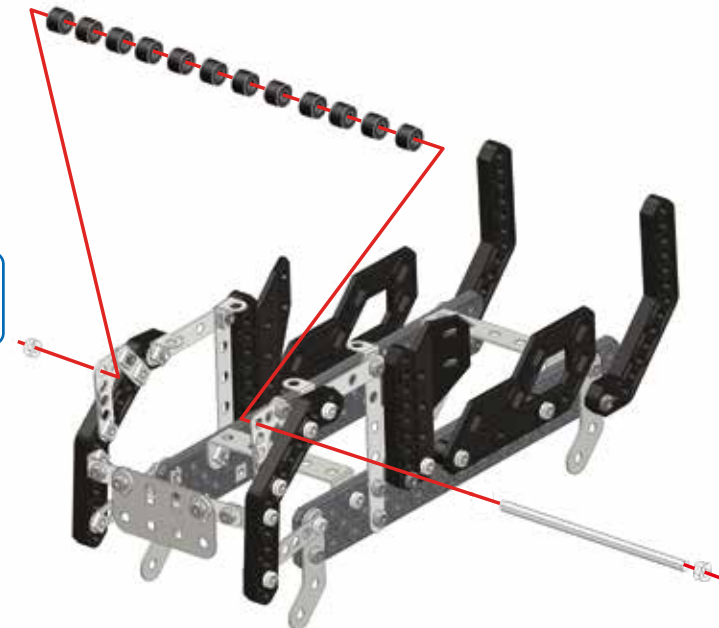
 9,5 mm 3/8"	x4
	x4

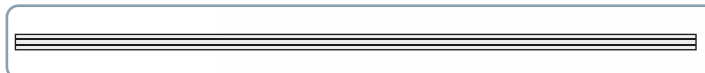
 S2	1:1
--	------------

**15**

 90 mm 3 1/2"	x1
	x12
	x2

		A238	1:1
---	---	-------------	------------

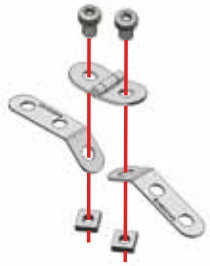


	1:1
---	------------

16

	x2
	x1
S1	x2
	x2

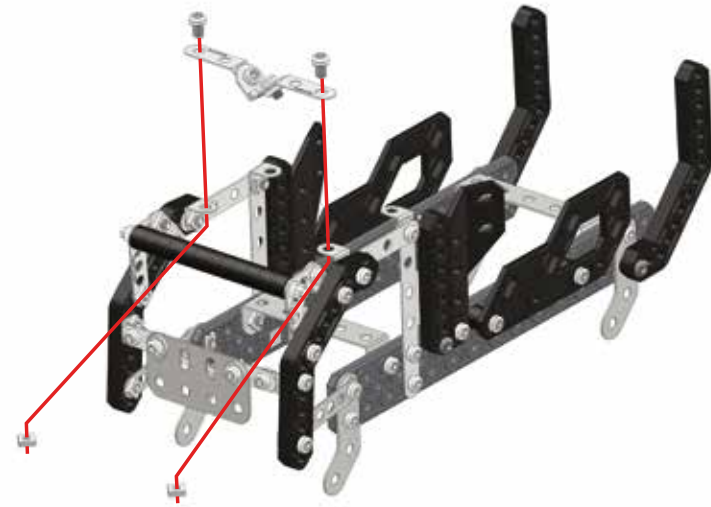
S1	1:1
----	------------



17

15 + 16 +

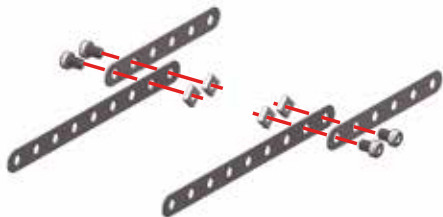
S1	x2
	x2
S1	1:1



18

	x2
	x2
S1	x4
	x4

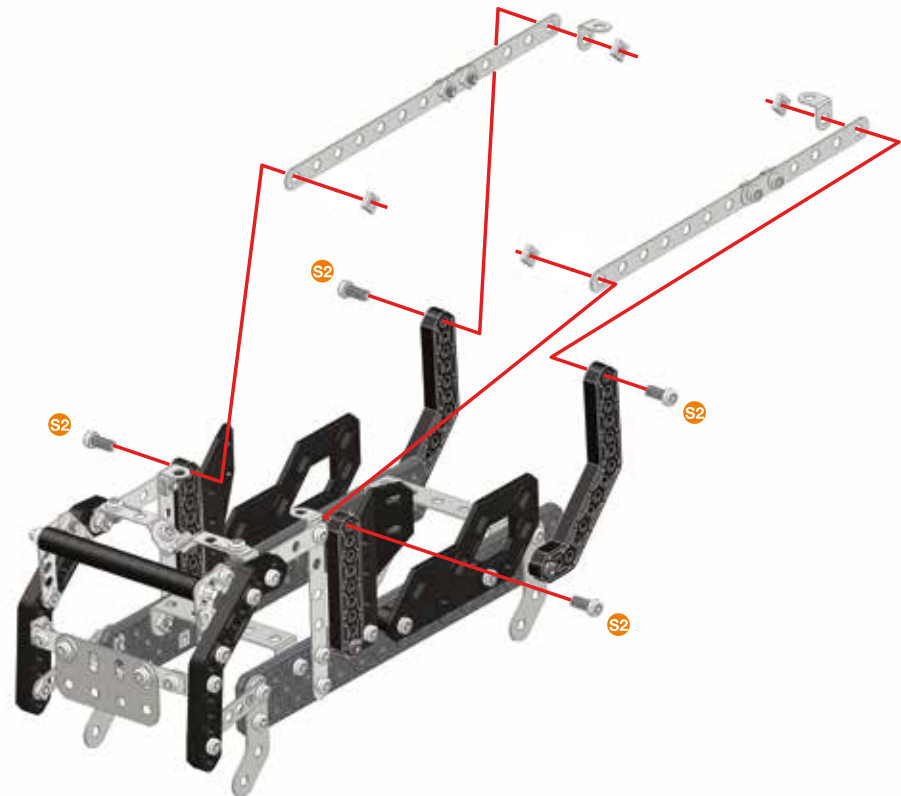
S1	1:1
----	------------





19

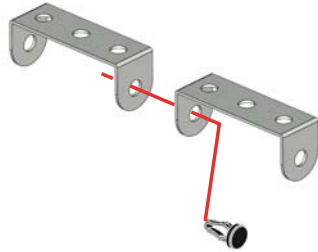
17 + 18 +

	x2
S2	x4
	x4
S2	1:1






20

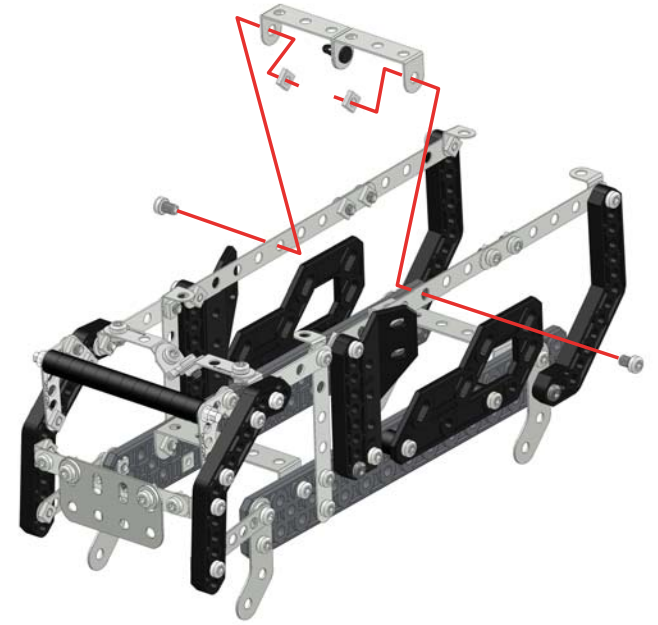
	11,25 mm 6/16"	x1
		x2





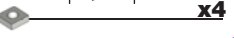
21

19 + 20 +

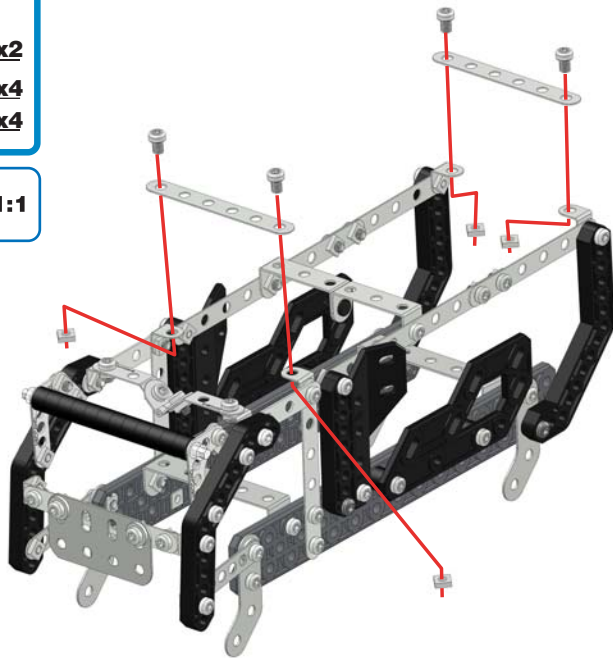
	5,8 mm 15/64"	x2
		x2
		1:1






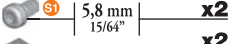
22

		x2
	5,8 mm 15/64"	x4
		x4

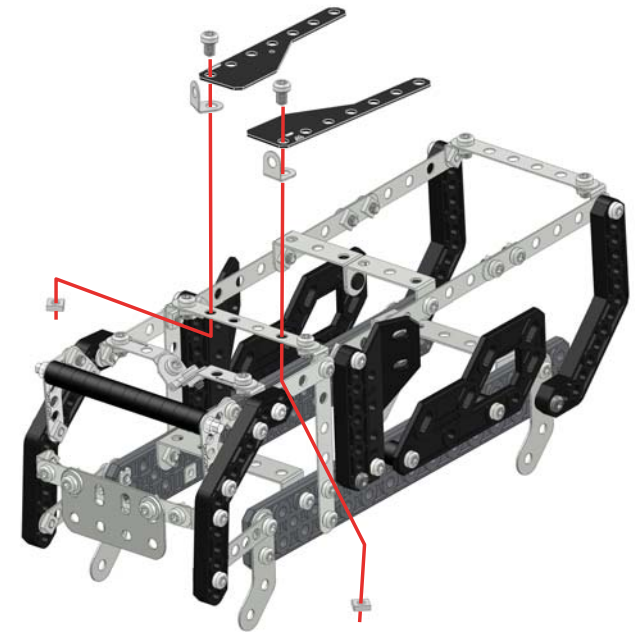
	1:1
--	------------






23

		x2
		x2
	5,8 mm 15/64"	x2
		x2

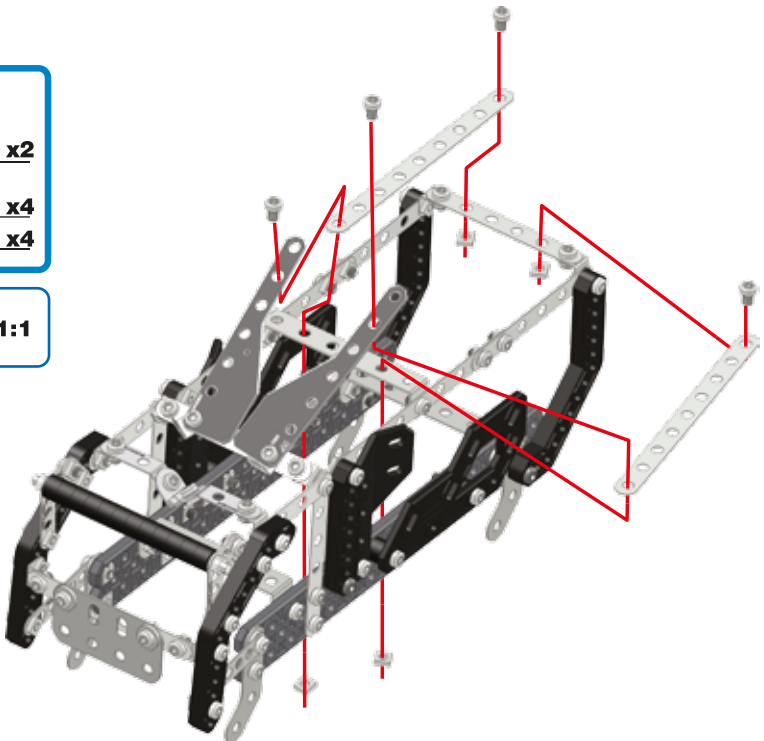
	1:1
---	------------






24

-  x2
-  5,8 mm | 15/64" x4
-  x4

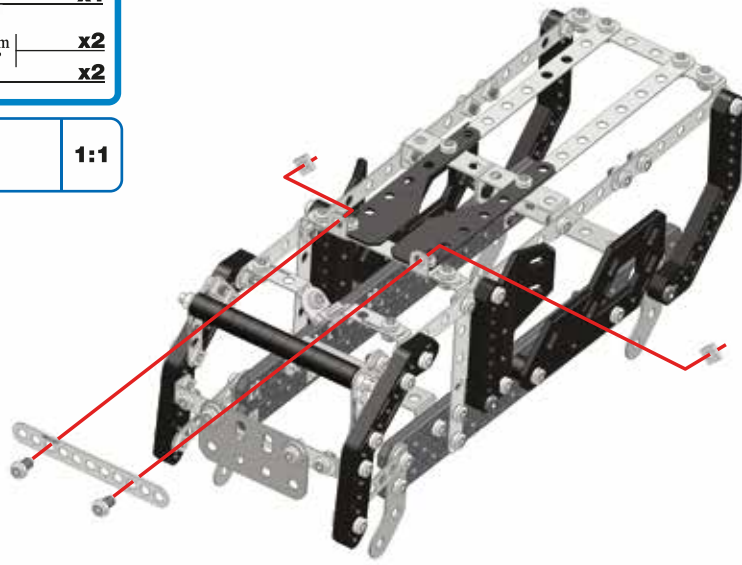
-  S1 1:1









25





-  x1
-  5,8 mm | 15/64" x2
-  x2

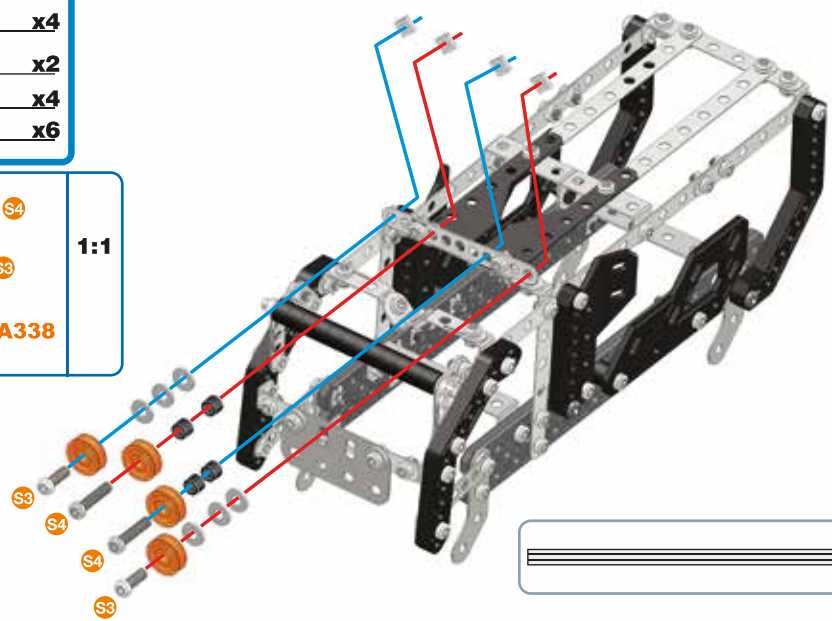
-  S1 1:1



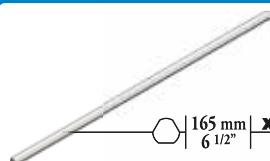
26

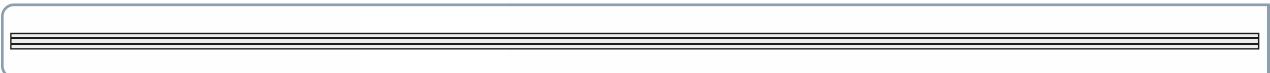
-  x4
-  12 mm | 1/2" x2
-  x4
-  19 mm | 3/4" x2
-  x4
-  x6

-  S4 1:1
-  S3 1:1
-   A338



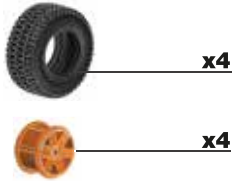
27

-  165 mm | 6 1/2" x1



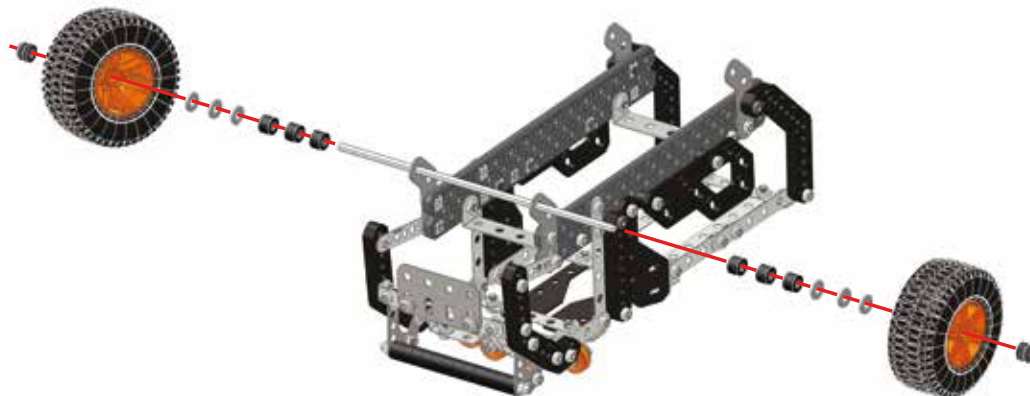
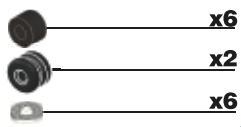
1:1

28

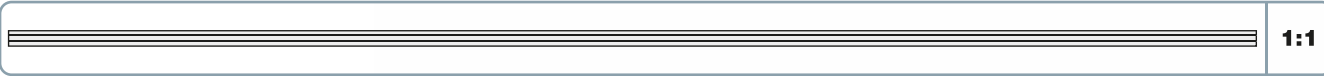
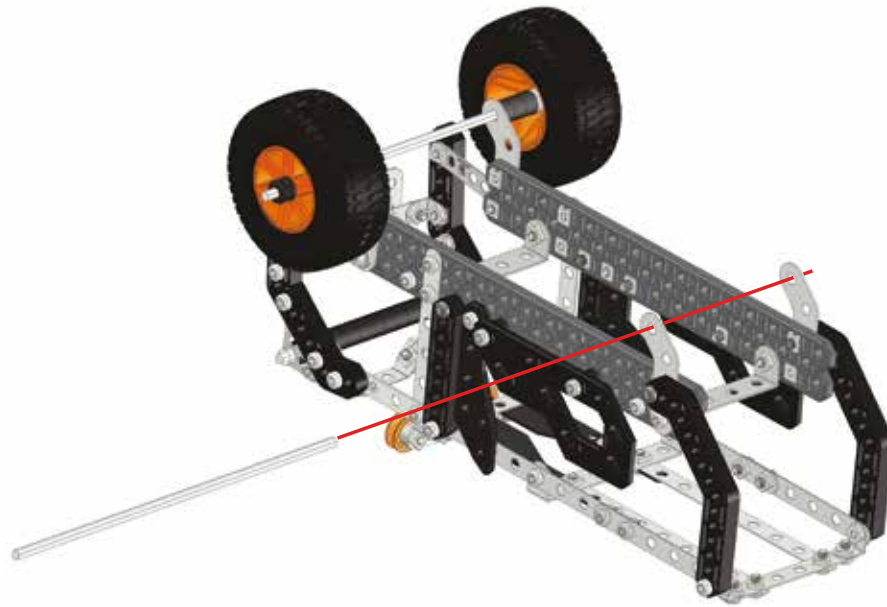
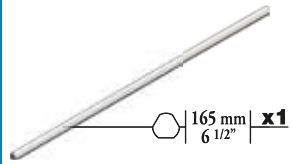


29

②7+②8+



30



31

28 + 30 +

