
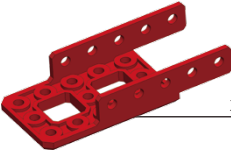


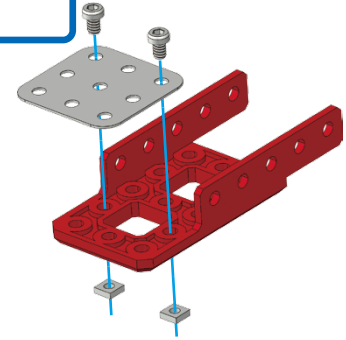
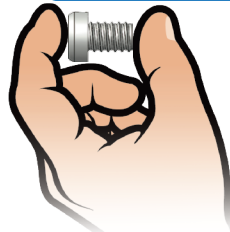












1

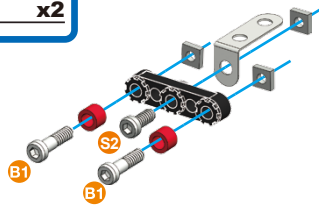
| | | | | |
|---|----------------------------|----|---|----|
|  | S1 5,8 mm x2 15/64" | x2 |  | x1 |
|  | | x2 | | |
|  | | x1 | | |

| | |
|---|----------|
|  | S1 1:1 |
|---|----------|





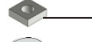

2

| | | |
|---|-----------------------------|-----|
|  | x1 | 1:1 |
|  | x1 | |
|  | B1 14,7 mm x2 37/64" | |
|  | S2 9,5 mm x1 3/8" | |
|  | x3 | |
|  | x2 | |
|  | A338 | |
|  | | |

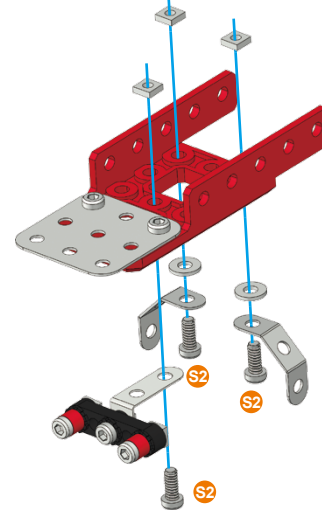


3

① + ② +

| | |
|---|--------------------------|
|  | x2 |
|  | S2 9,5 mm x3 3/8" |
|  | x3 |
|  | x2 |

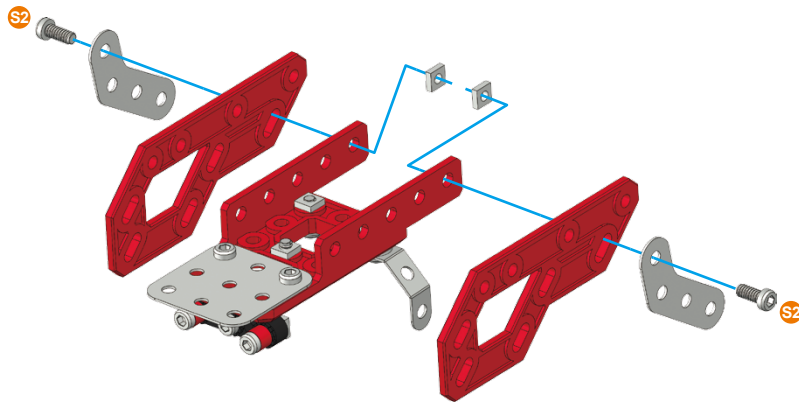
| | |
|---|----------|
|  | S2 1:1 |
|---|----------|



4

| | |
|--|----|
| | x2 |
| | x2 |
| | x2 |
| | x2 |

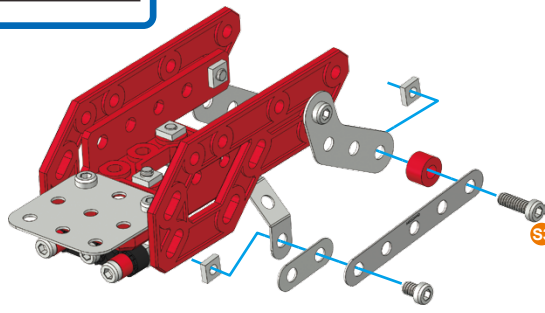
| | |
|--|-----|
| | 1:1 |
|--|-----|



5

| | |
|--|----|
| | x1 |
| | x1 |
| | x1 |
| | x1 |
| | x2 |
| | x1 |

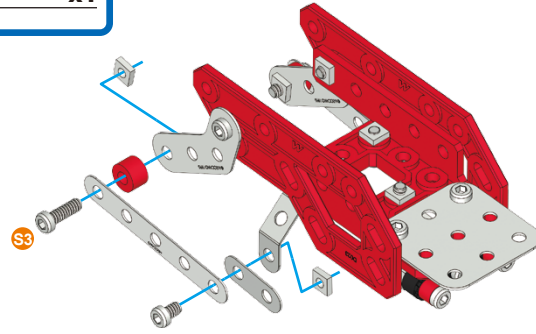
| | |
|--|------|
| | 1:1 |
| | |
| | A238 |



6

| | |
|--|----|
| | x1 |
| | x1 |
| | x1 |
| | x1 |
| | x2 |
| | x1 |

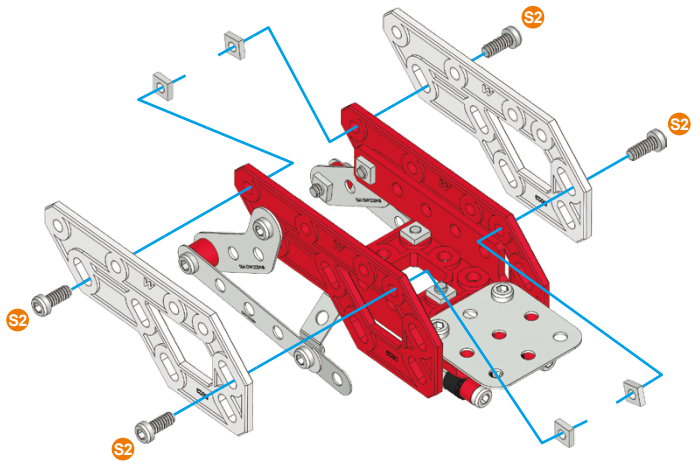
| | |
|--|------|
| | 1:1 |
| | |
| | A238 |



7

| | | |
|--|----------------|----|
| | x2 | |
| | 9,5 mm 3/8" | x4 |
| | x4 | |

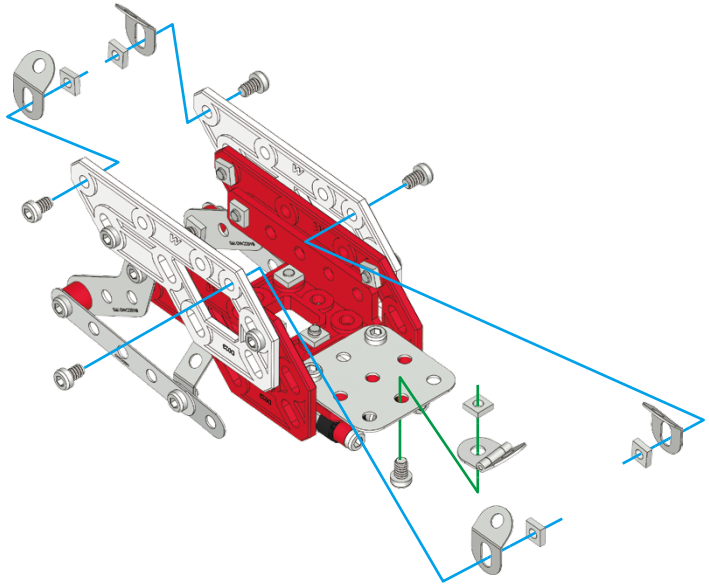
| | | |
|--|----|-----|
| | S2 | 1:1 |
|--|----|-----|



8

| | | |
|--|------------------|----|
| | x4 | |
| | x1 | |
| | 5,8 mm 15/64" | x5 |
| | x5 | |

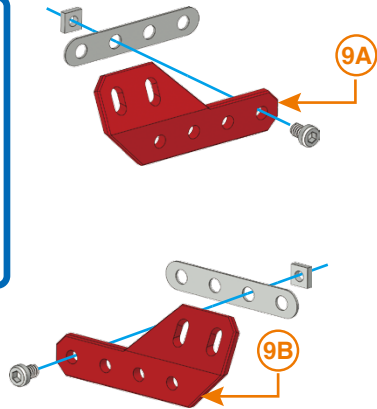
| | | |
|--|----|-----|
| | S1 | 1:1 |
|--|----|-----|



9

| | |
|--|----|
| | x1 |
| | x1 |
| | x2 |
| | x2 |
| | x2 |

| | |
|--|-----|
| | 1:1 |
|--|-----|

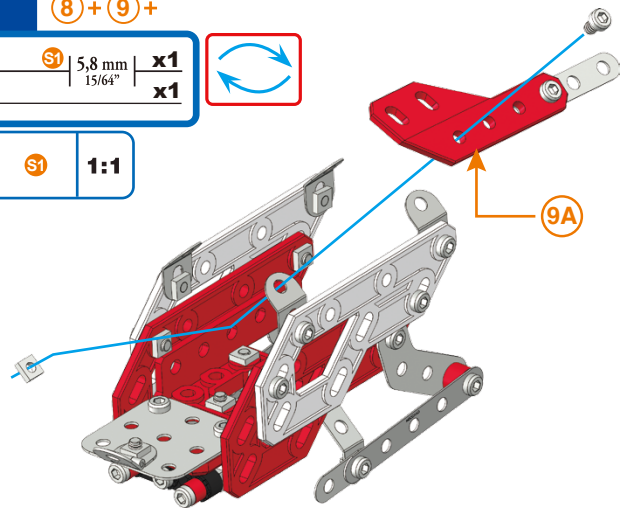


10

8 + 9 +

| | |
|--|----|
| | x1 |
| | x1 |

| | |
|--|-----|
| | 1:1 |
|--|-----|

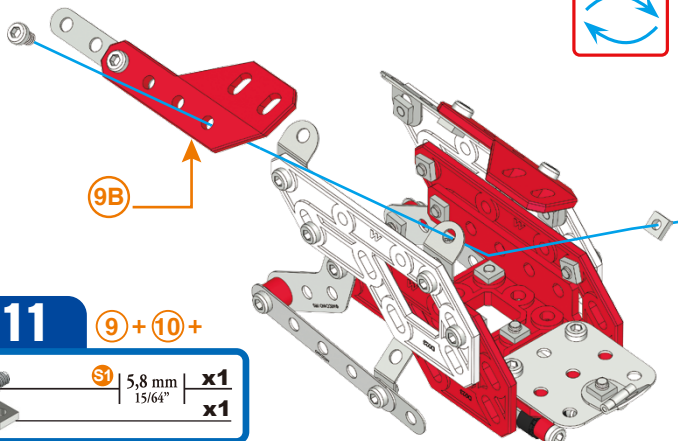


11

9 + 10 +

| | |
|--|----|
| | x1 |
| | x1 |

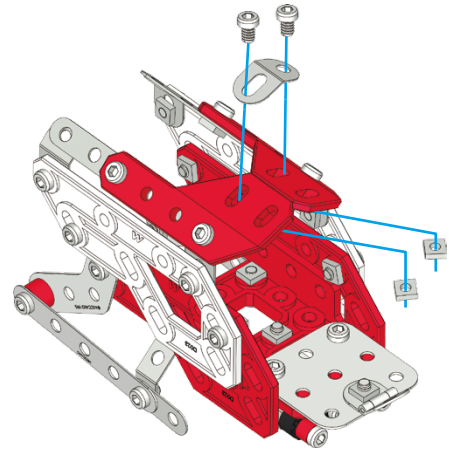
| | |
|--|-----|
| | 1:1 |
|--|-----|



12

| | |
|--|----|
| | x1 |
| | x2 |
| | x2 |

| | |
|--|-----|
| | 1:1 |
|--|-----|

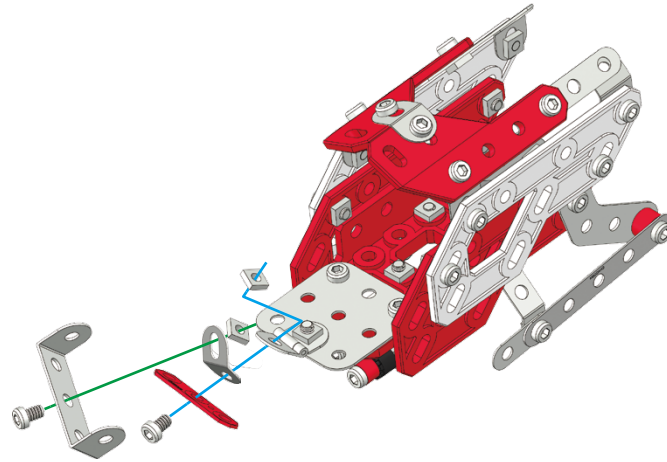


13

| | |
|--|-----------|
| | x1 |
| | x1 |
| | x1 |
| | x2 |
| | x2 |

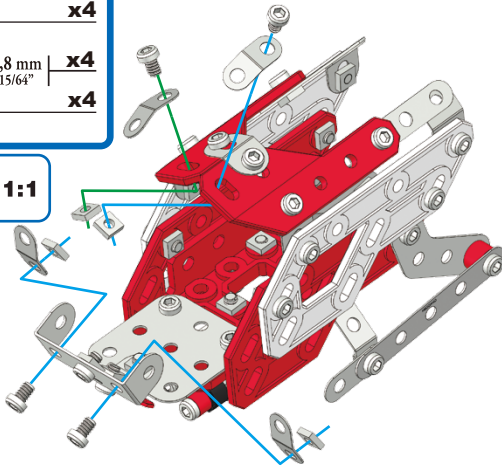


| | | |
|--|-----------|------------|
| | S1 | 1:1 |
|--|-----------|------------|

**14**

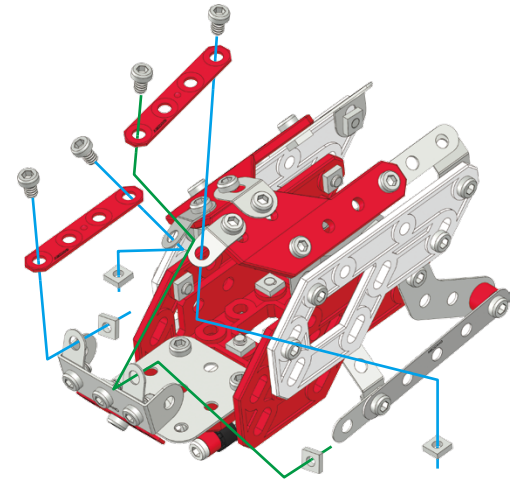
| | |
|--|-----------|
| | x4 |
| | x4 |
| | x4 |

| | | |
|--|-----------|------------|
| | S1 | 1:1 |
|--|-----------|------------|

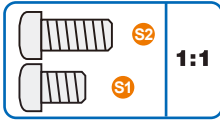
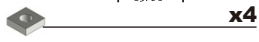
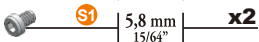
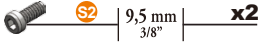
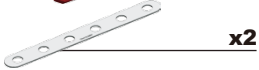
**15**

| | |
|--|-----------|
| | x2 |
| | x4 |
| | x4 |

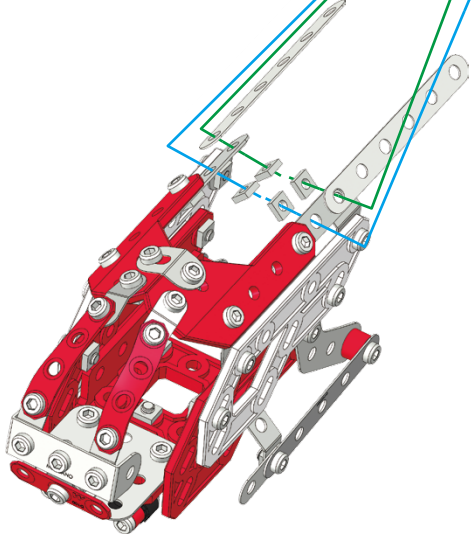
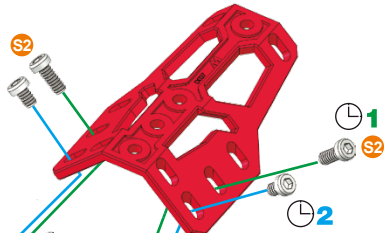
| | | |
|--|-----------|------------|
| | S1 | 1:1 |
|--|-----------|------------|



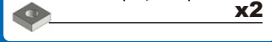
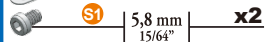
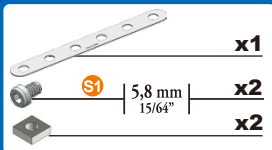
16



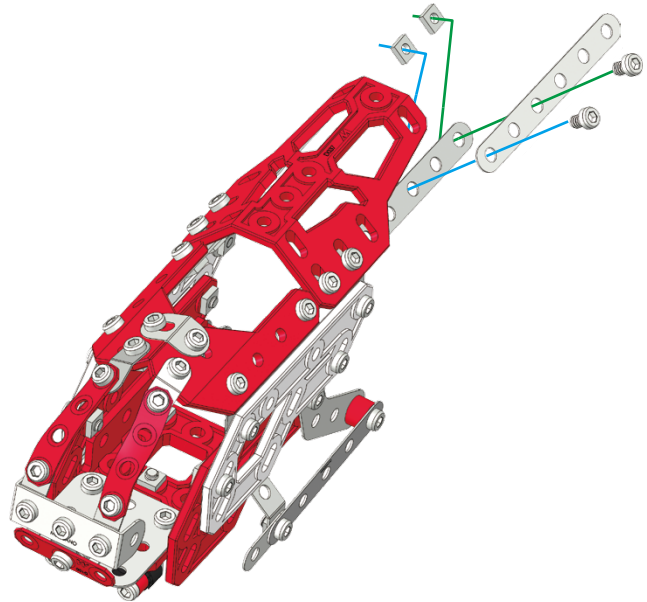
1:1



17



1:1

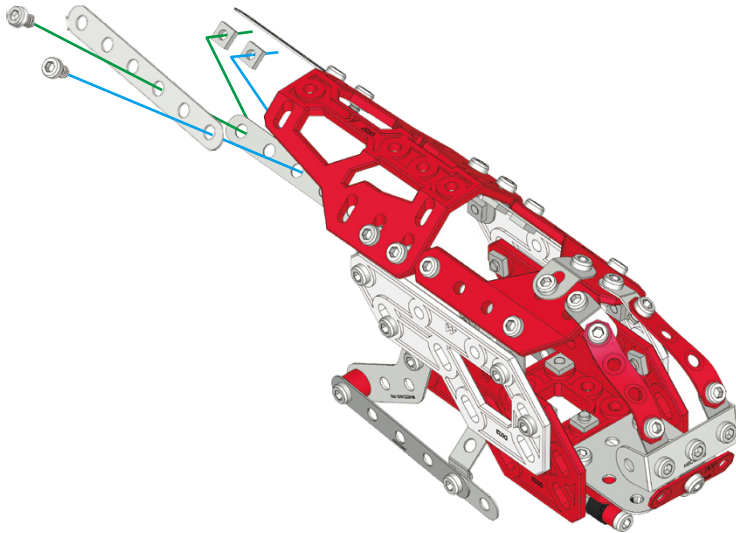


18

| | |
|--|----|
| | x1 |
| | x2 |
| | x2 |



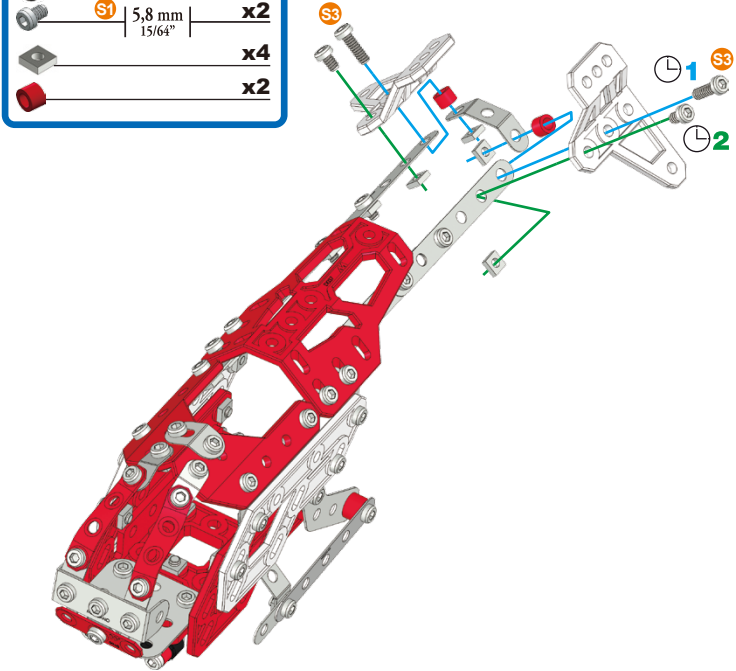
| | |
|--|-----|
| | 1:1 |
|--|-----|






19

| | |
|--|----|
| | x1 |
| | x1 |
| | x1 |
| | x2 |
| | x2 |
| | x4 |
| | x2 |

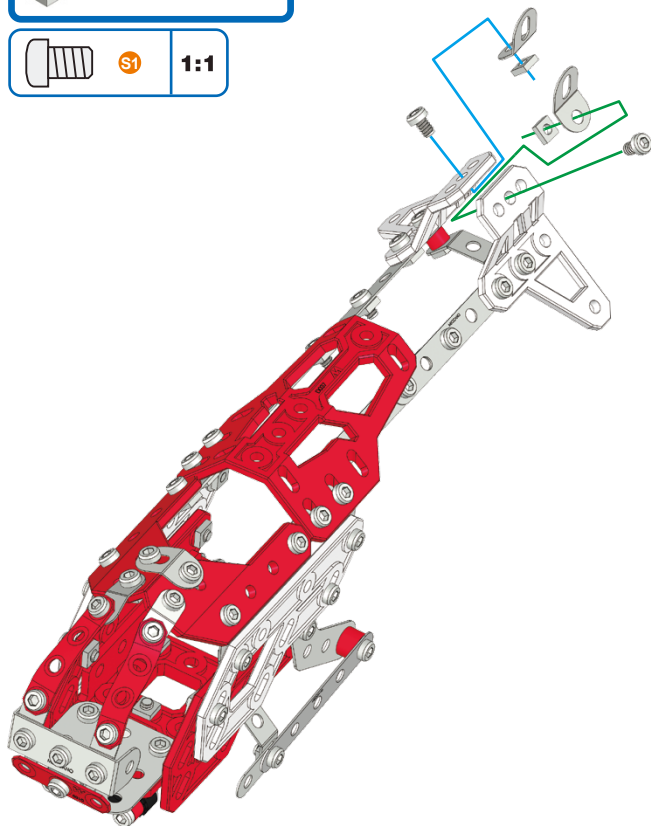
| | |
|--|------|
| | 1:1 |
| | |
| | A338 |
| | |

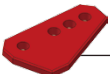




20

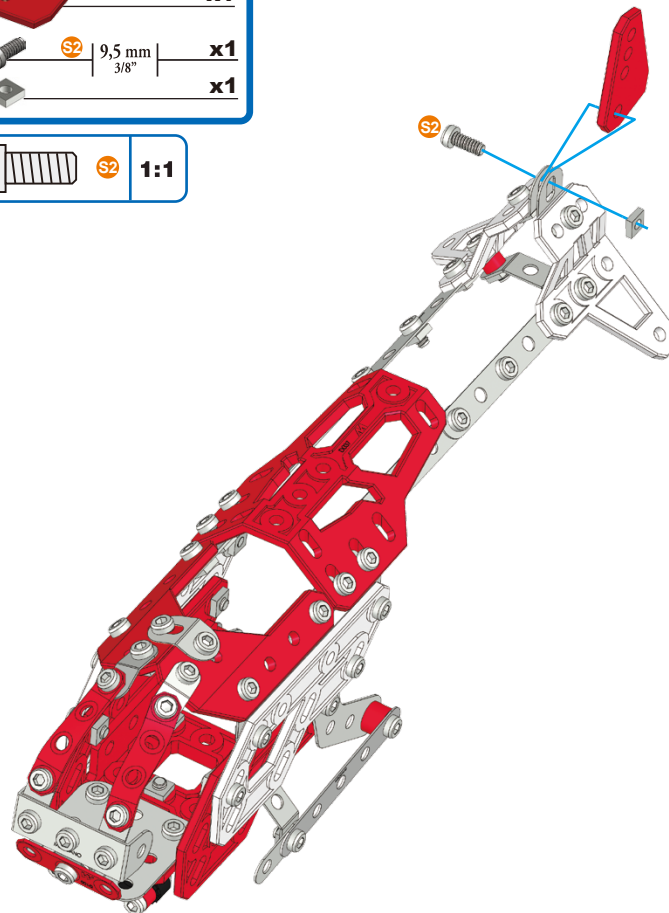
| | |
|--|----------------------------|
|  | x2 |
|  S1 | 5,8 mm 15/64" x2 |
|  | x2 |

| | | |
|---|----|------------|
|  | S1 | 1:1 |
|---|----|------------|





**21**




| | |
|--|--------------------------|
|  | x1 |
|  S2 | 9,5 mm 3/8" x1 |
|  | x1 |

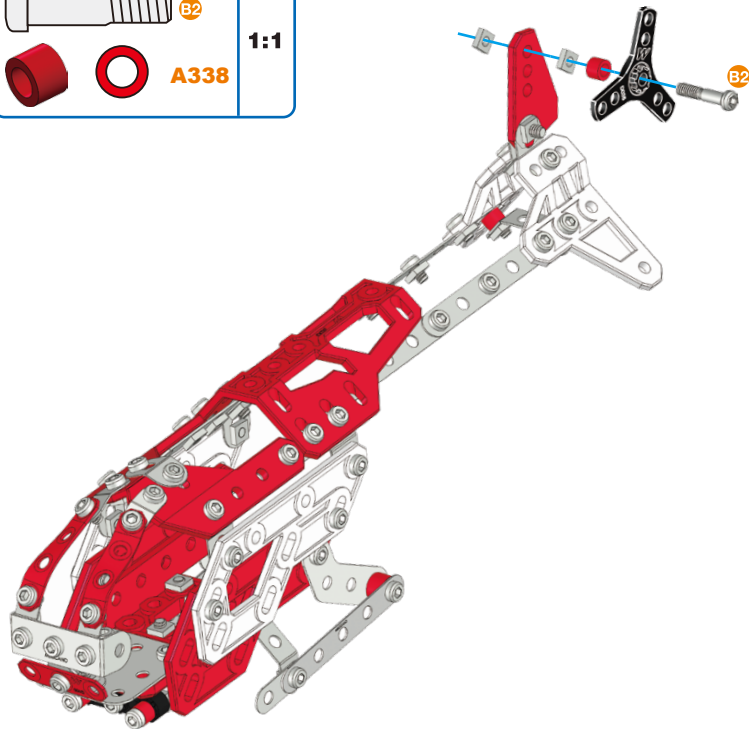
| | | |
|---|----|------------|
|  | S2 | 1:1 |
|---|----|------------|






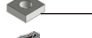

22

-  **x1**
-  | 19 mm | **x1**
3/4"
-  **x2**
-  **x1**

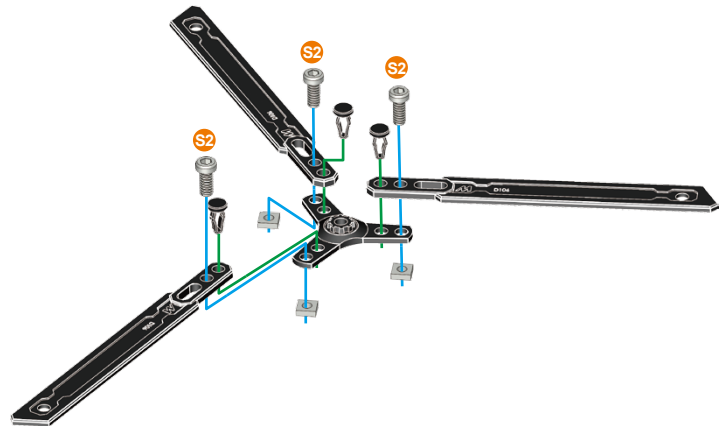
-  **S2**
-   **A338**
- 1:1**



23









-  **x3**
-  **x1**
-  | 9,5 mm | **x3**
3/8"
-  **x3**
-  **x3**




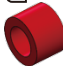

-  **S2**
- 1:1**



24

22 + 23 +

-  x1
-  x1
-  B2 | 19 mm | x1
3/4"
-  S3 | 12 mm | x1
1/2"
-  S2 | 9,5 mm | x1
3/8"
-  x4
-  x1
-  x1

-  B2
 -  S3
 -  S2
 - 
 -  A338
- 1:1

