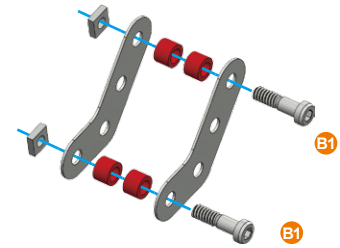




1

	x2
	x2
	x2
	x4

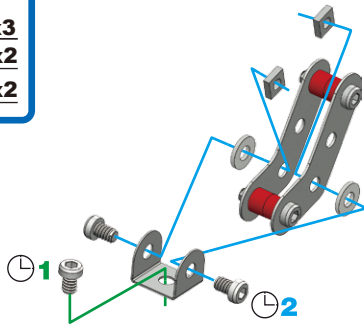
		A338	1:1
		B1	



2

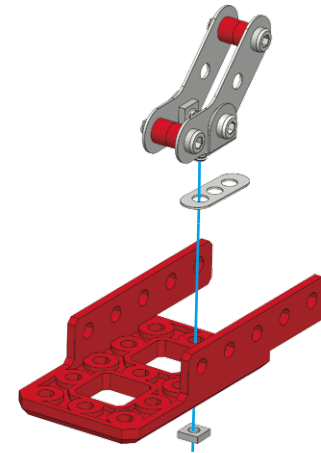
	x1
	x3
	x2
	x2

	S1	1:1
--	----	-----







3

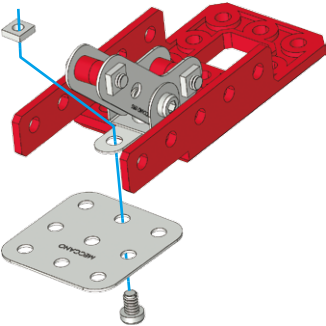
	x1
	x1
	x1




4





	x1
 S1 5,8 mm 15/64"	x1
	x1







 S1	1:1
--------------------------------------------------------------------------------------	-----

5

	x2
	x2
 S2 9,5 mm 3/8"	x2
	x2



 S2	1:1
---------------------------------------------------------------------------------------	-----



 S2


x2

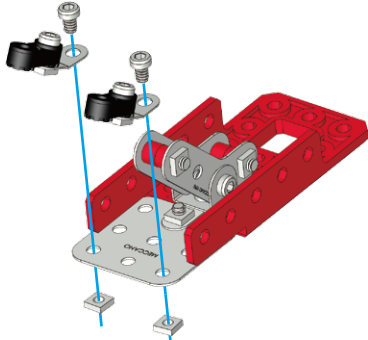


6




(4) + (5) +


 S1 5,8 mm 15/64"	x2
	x2

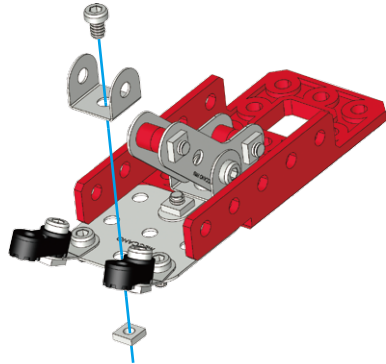
 S1	1:1
--------------------------------------------------------------------------------------	-----




7

	x1
 S1 5,8 mm 15/64"	x1
	x1

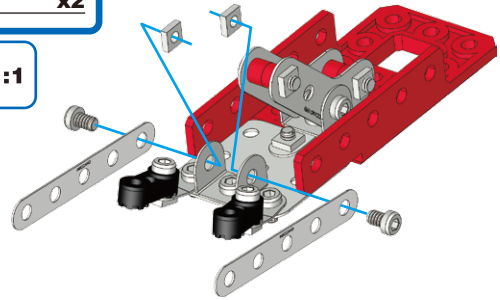
 S1	1:1
---------------------------------------------------------------------------------------	-----






8

-  **x2**
-  | 5,8 mm | **x2**
-  | **x2**

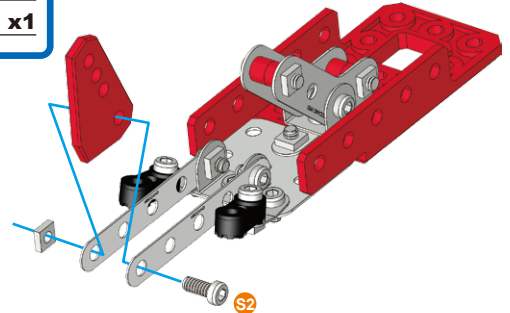
-  **S1** | **1:1**



9

-  **x1**
-  | 9,5 mm | **x1**
-  | **x1**

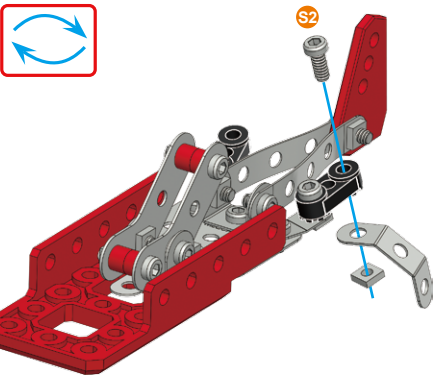
-  **S2** | **1:1**






10

-  **x1**
-  | 9,5 mm | **x1**
-  | **x1**

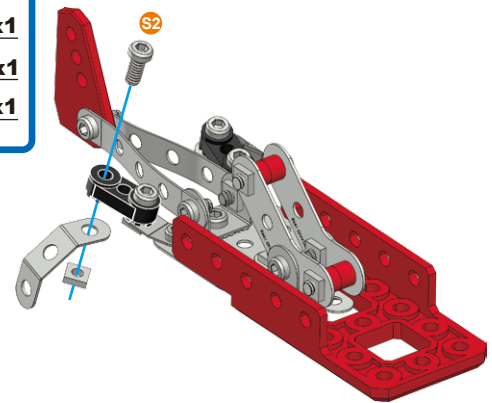
-  **S2** | **1:1**







11



-  **x1**
-  | 9,5 mm | **x1**
-  | **x1**

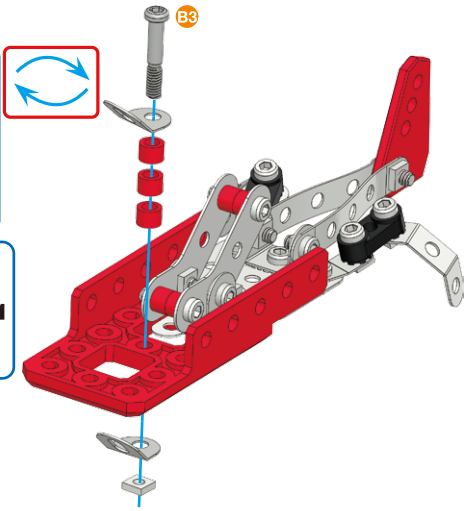
-  **S2** | **1:1**






12

-  **x2**
-  **B3** | 23 mm | 15/16" | **x1**
-  **x1**
-  **x3**

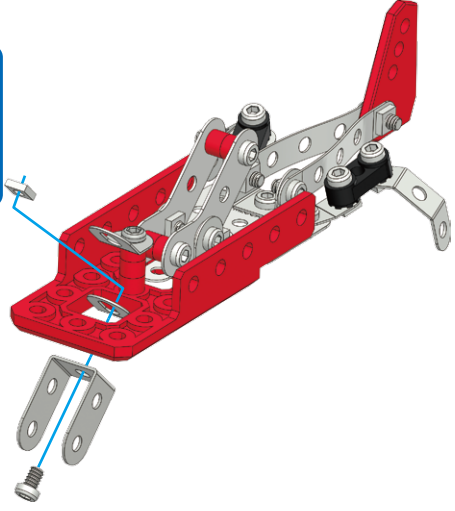
-  **B3**
-  **A338**
- 1:1**







13

-  **x1**
-  **S1** | 5,8 mm | 15/64" | **x1**
-  **x1**

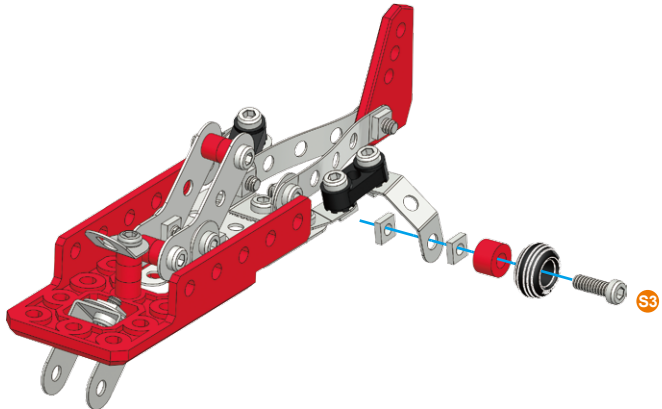
-  **S1**
- 1:1**





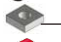

14

-  **x1**
-  **S3** | 12 mm | 1/2" | **x1**
-  **x2**
-  **x1**

-  **A238**
-  **S3**
- 1:1**

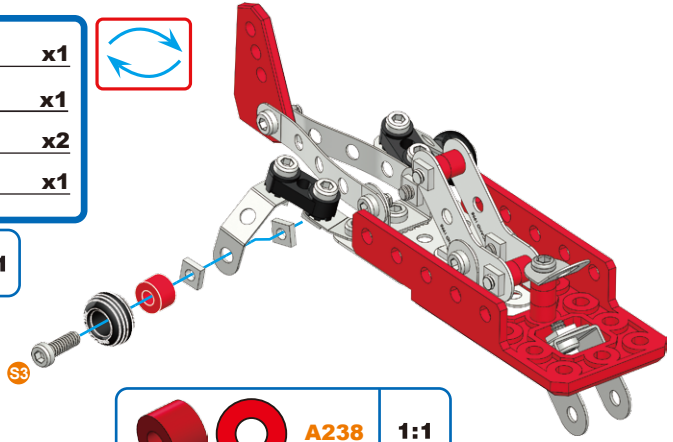


15

	x1
	x1
	x2
	x1



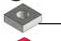




	S3	1:1
-----------------------------------------------------------------------------------	----	-----



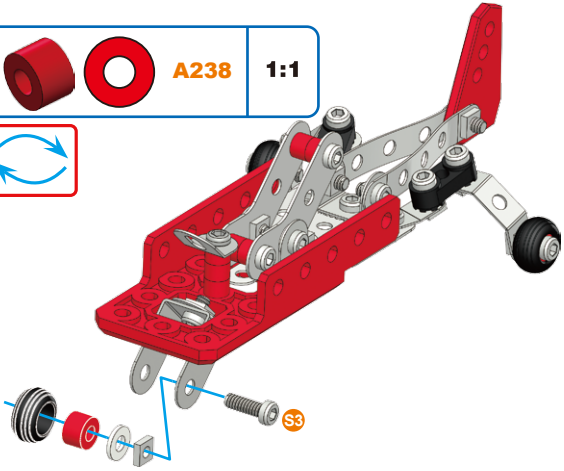
		A238	1:1
-----------------------------------------------------------------------------------	-----------------------------------------------------------------------------------	------	-----

16

	x1
	x1
	x1
	x1
	x1






	S3	1:1
-------------------------------------------------------------------------------------	----	-----

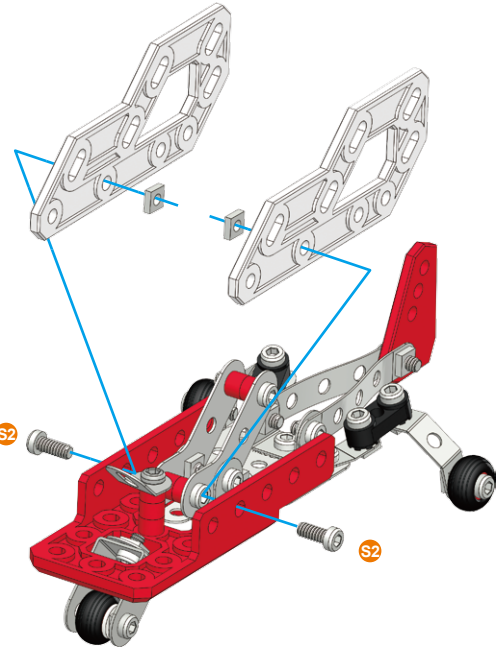


		A238	1:1
-----------------------------------------------------------------------------------	-----------------------------------------------------------------------------------	------	-----



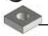
17

	x2
	x2
	x2

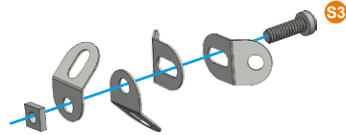
	S2	1:1
-------------------------------------------------------------------------------------	----	-----







18

	x4
 S3 12 mm 1/2"	x1
	x1

 S3	1:1
--------------------------------------------------------------------------------------	------------

**19**

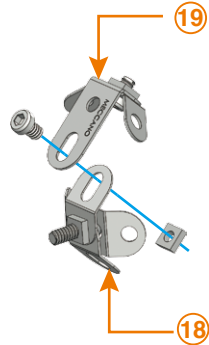
	x1
	x1
 S1 5,8 mm 15/64"	x1
	x1







 S1	1:1
---------------------------------------------------------------------------------------	------------

**20****18 + 19 +**

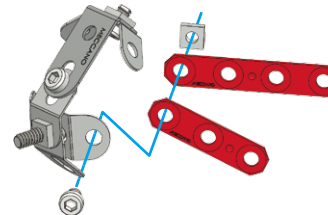
 S1 5,8 mm 15/64"	x1
	x1

 S1	1:1
--------------------------------------------------------------------------------------	------------

**21**

		x1
		x1
 S1 5,8 mm 15/64"	x1	
	x1	

 S1	1:1
----------------------------------------------------------------------------------------	------------

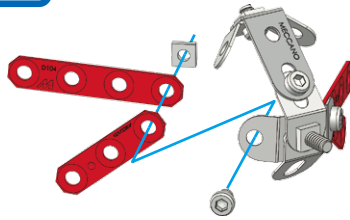


22

	x1
	x1
	x1
	x1

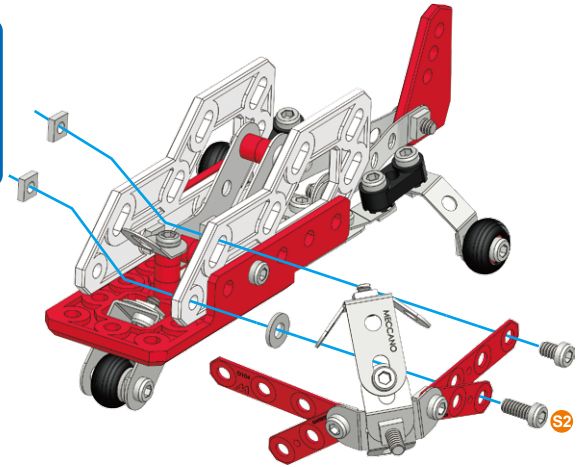


	S1	1:1
--	-----------	------------

**23****17+22+**

	S2	9,5 mm	x1
	S1	5,8 mm	x1
			x2
			x1

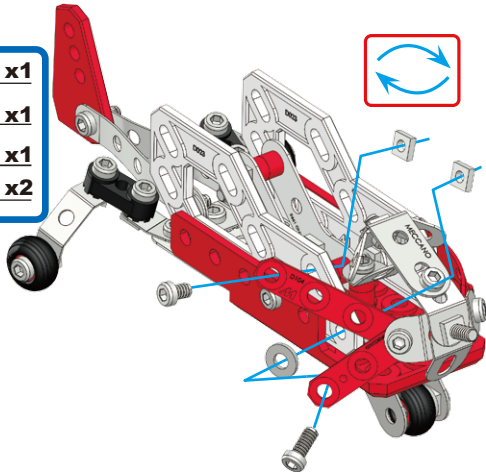
	S2	1:1
	S1	1:1

**24**

	x1		
	S2	9,5 mm	x1
	S1	5,8 mm	x1
			x2

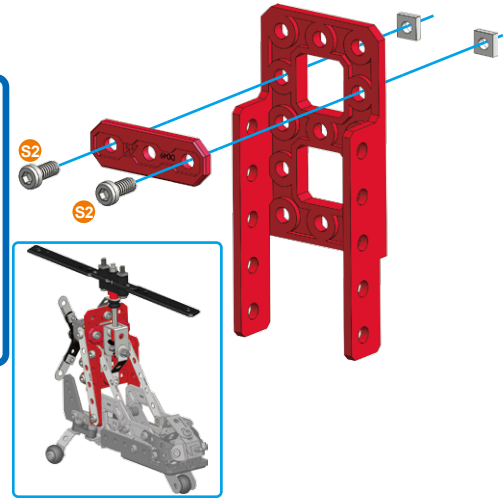


	S2	1:1
	S1	1:1

**25**

	x1		
	x1		
	S2	9,5 mm	x2
			x2

	S2	1:1
--	-----------	------------



26

	x2
12 mm 1/2"	x1
	x1
	x1

	1:1
	A338

27

	x1
	x1
14,7 mm 37/64"	x1
	x1
	x1

	1:1
	A238

28

	x2
9,5 mm 3/8"	x4
	x4
	x4

	1:1
	A238

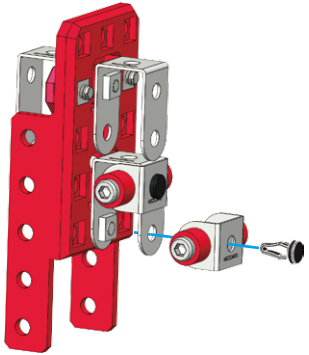
29

27 + 28 +



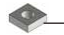
	x1
--	----

30 (28) + (29) +

	x1
-----------------------------------------------------------------------------------	-----------

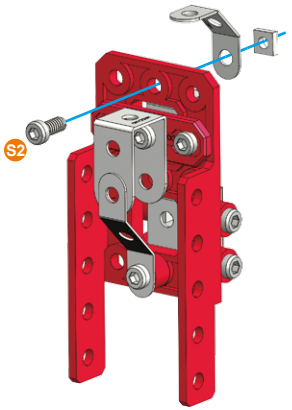


31







	x1
 S2 9,5 mm 3/8"	x1
	x1



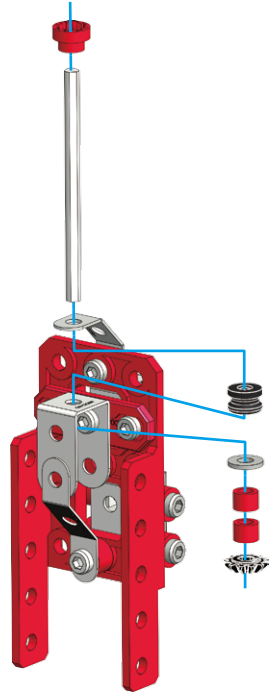
 S2	1:1
---------------------------------------------------------------------------------------	------------




32

	63,5 mm 2 31/64"	x1
		x1
		x1
		x1
		x1
		x2

		A338	1:1
-------------------------------------------------------------------------------------	-------------------------------------------------------------------------------------	-------------	------------

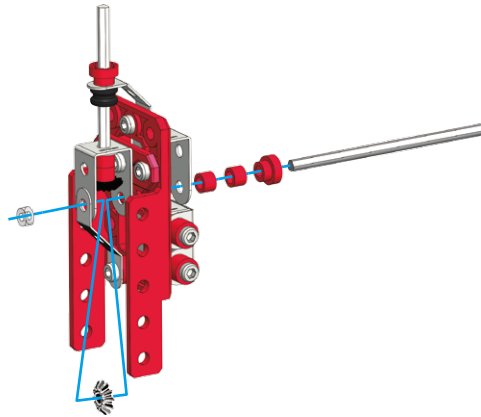


	1:1
---------------------------------------------------------------------------------------	------------

33

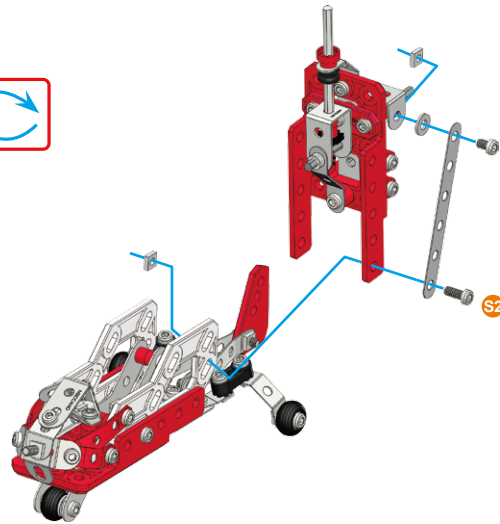
	75 mm 3"	x1
		x1
		x1
		x1
		x2

		A338	1:1
--	--	-------------	------------

**35****(24) + (34) +**

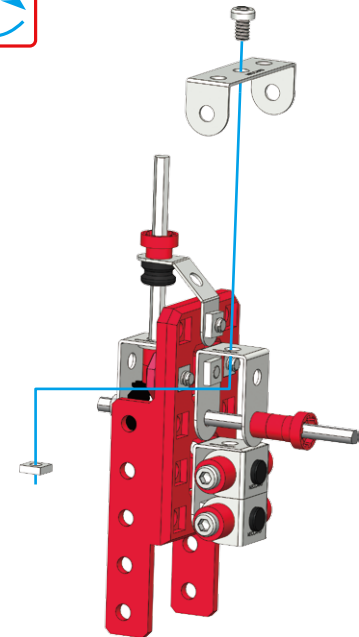
		x1
	9,5 mm 3/8"	x1
	5,8 mm 15/64"	x1
		x2
		x1

	S2	1:1
	S1	

**34**

		x1
	5,8 mm 15/64"	x1
		x1

	S1	1:1
--	-----------	------------

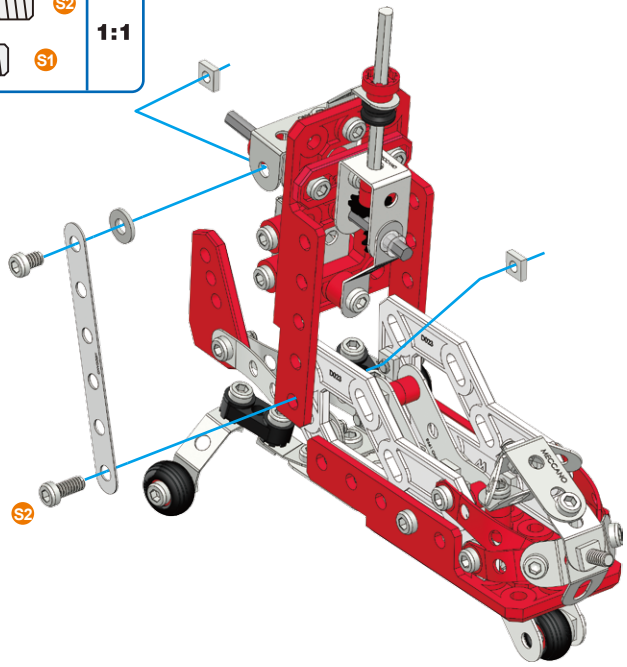


36

		x1
	9,5 mm 3/8"	x1
	5,8 mm 15/64"	x1
		x2
		x1



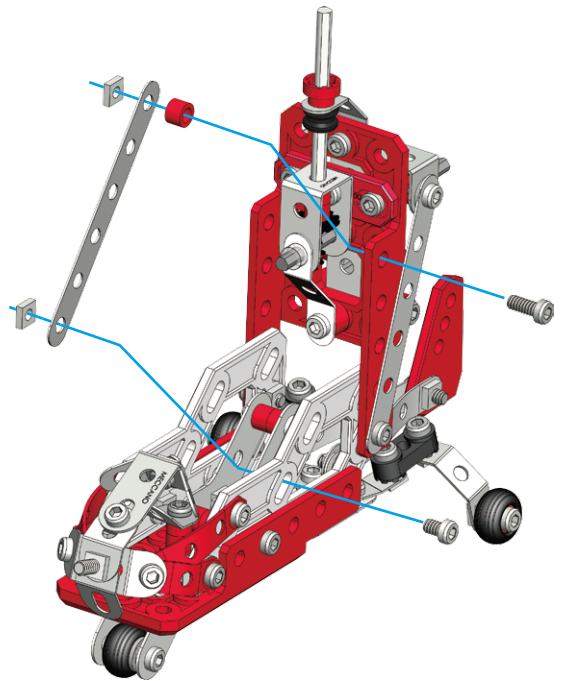
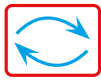
	S2	1:1
	S1	



37

		x1
	9,5 mm 3/8"	x1
	5,8 mm 15/64"	x1
		x2
		x1
		x1

	S2	1:1
	S1	
	A338	

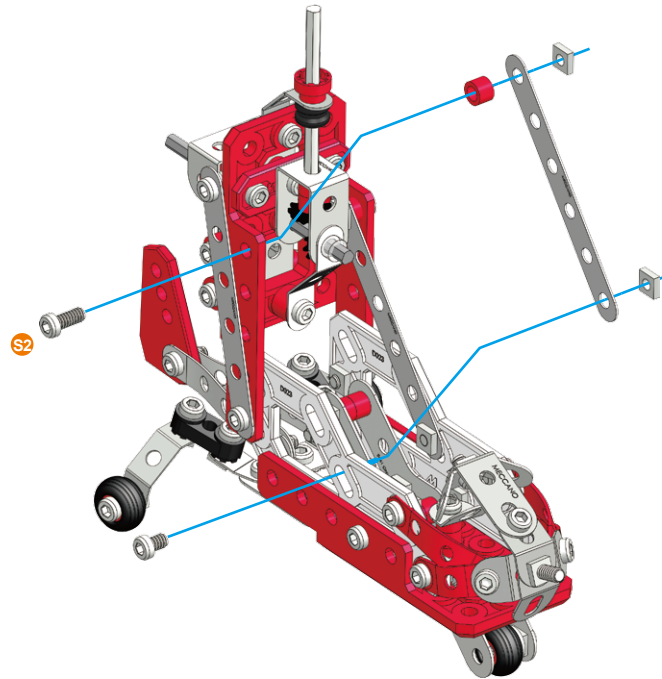


38

		x1
	9,5 mm 3/8"	x1
	5,8 mm 15/64"	x1
		x2
		x1



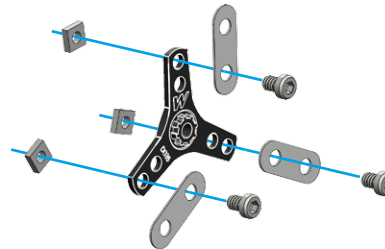
	S2	1:1
	S1	
	A338	



39

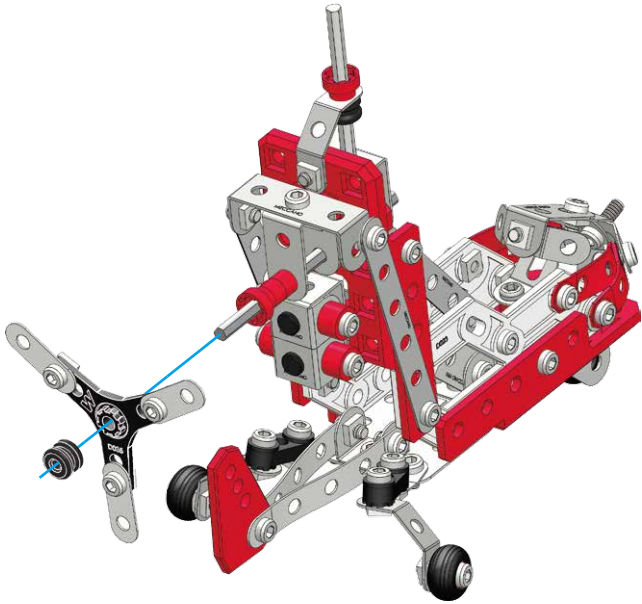
		x1
		x3
	5,8 mm 15/64"	x3
		x3

	S1	1:1
--	----	------------



40 38 + 39 +

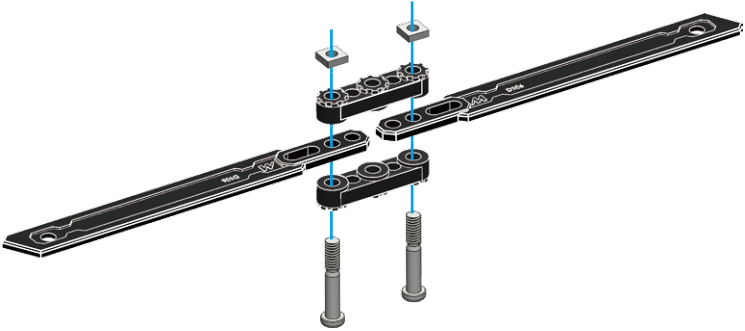
 **x1**



41

-  **x2**
-  **x2**
-  **B2** | 19 mm | 3/4" | **x2**
-  **x2**

 **B2** **1:1**



42

40 + 41 +



x1

